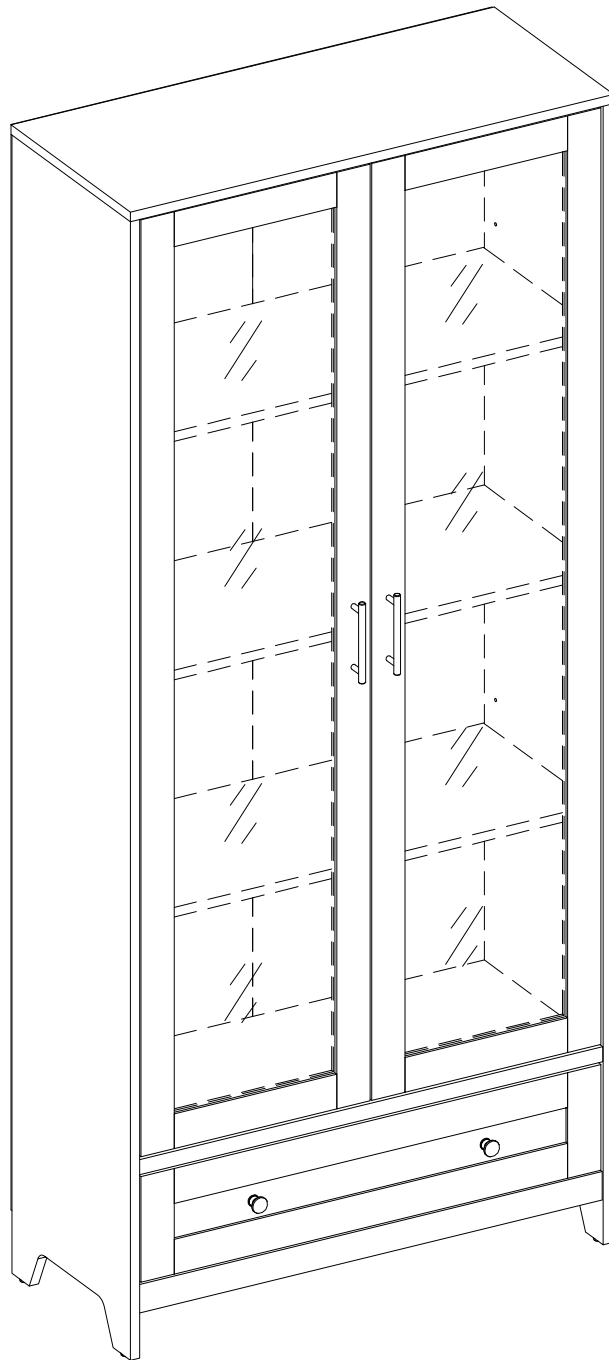


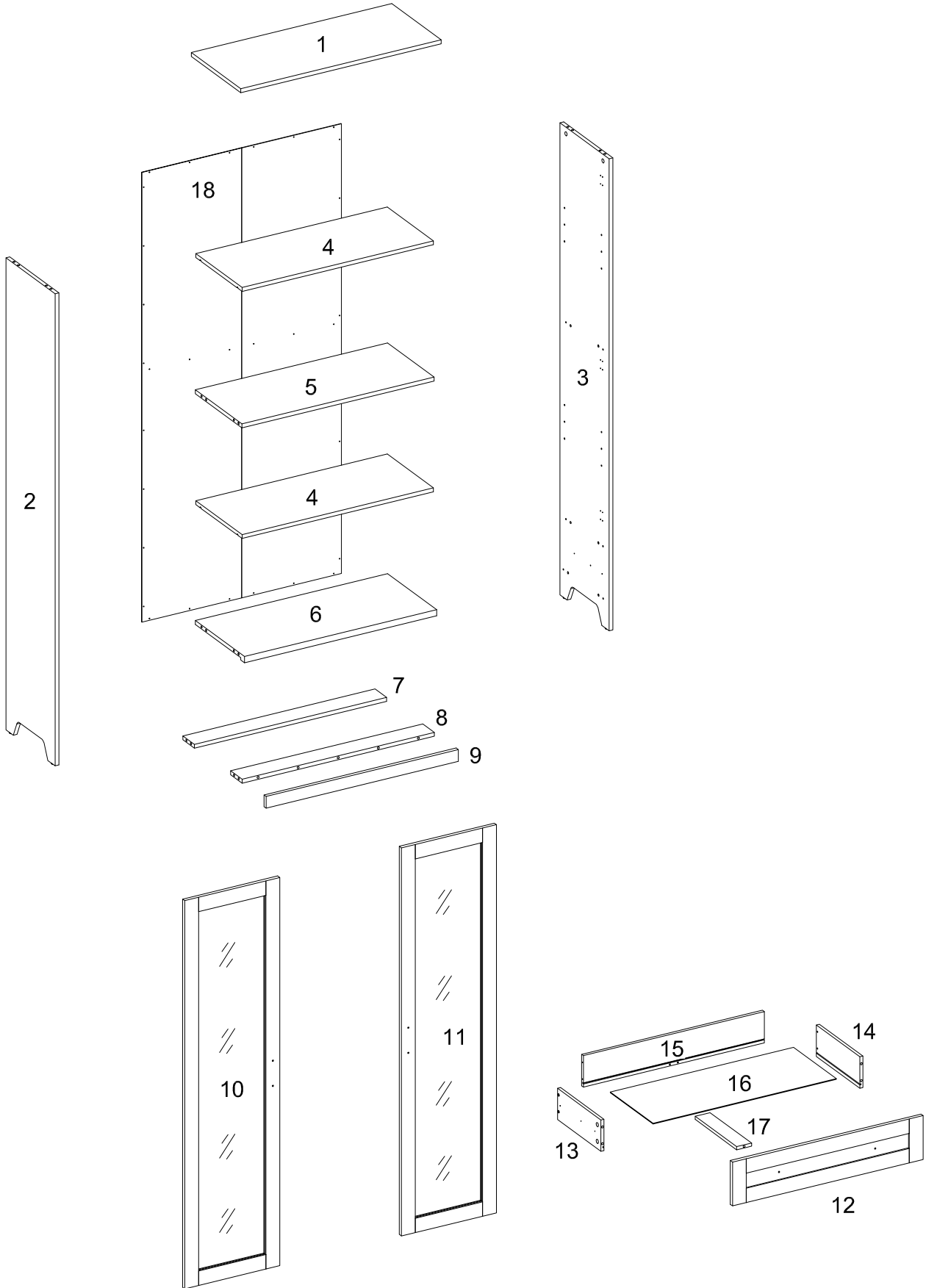
HOME SOURCE[®]

ASSEMBLY INSTRUCTION


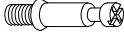


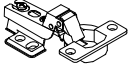










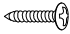
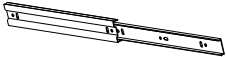




MODEL: H-5586

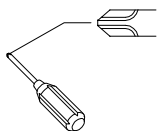


Parts List



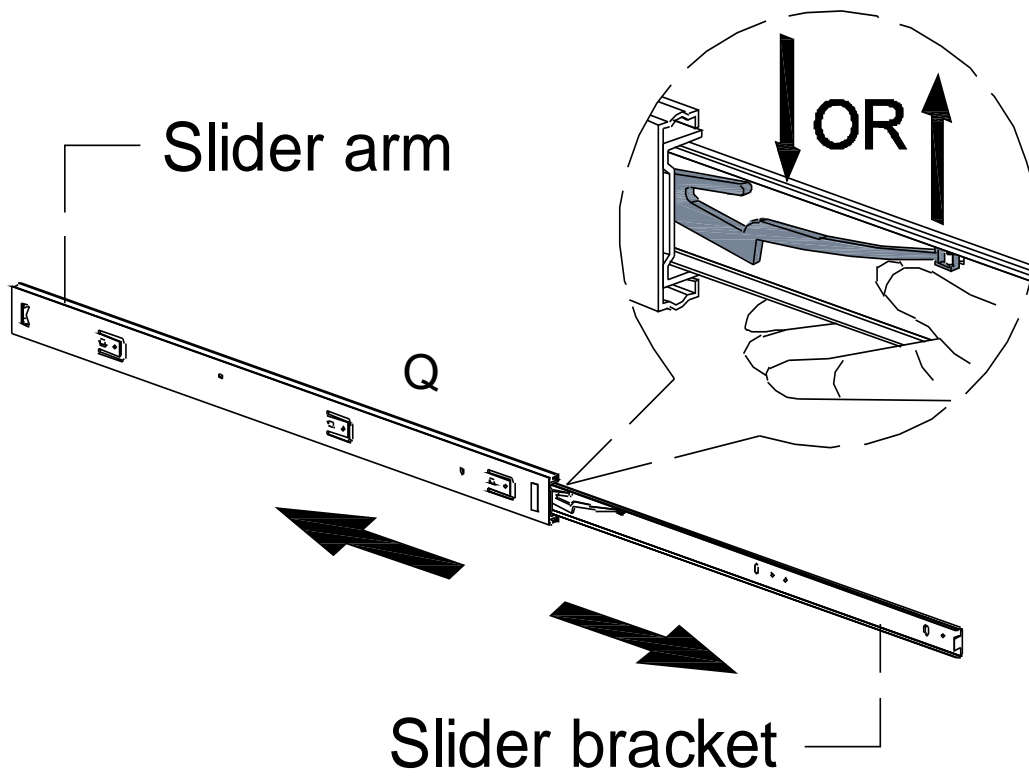
Hardware List

A		Ø8x30mm	Wooden dowel	18 pcs
B		Ø6x35mm	Cam bolt	24 pcs
C		Ø15x11mm	Cam lock	19 pcs
D			Shelf support pin	8 pcs
E			Europe Hinge	6 pcs
F		Ø3.5x15mm	Hinge screw	36 pcs
G		Ø3x15mm	Screw	40 pcs
H			Sticker	24 pcs
I			Glue	1 pcs
J		Ø15x9mm	Small cam lock	5 pcs
K			Handle	2 pcs
L		Ø4x22mm	Handle bolt	4 pcs
M			Magnetic catch	1 pcs
N		Ø3x15mm	Screw	2 pcs
O			Metal piece	2 pcs
P		Ø3x12mm	Screw	14 pcs
Q			Drawer slider	1 set
R		Ø4x32mm	Fast screw	6 pcs
S			Handle	2 pcs
T		Ø4x12mm	Handle bolt	2 pcs
U			Tipping Restraint Hardware (Inside Plastic White Bag)	2 pcs

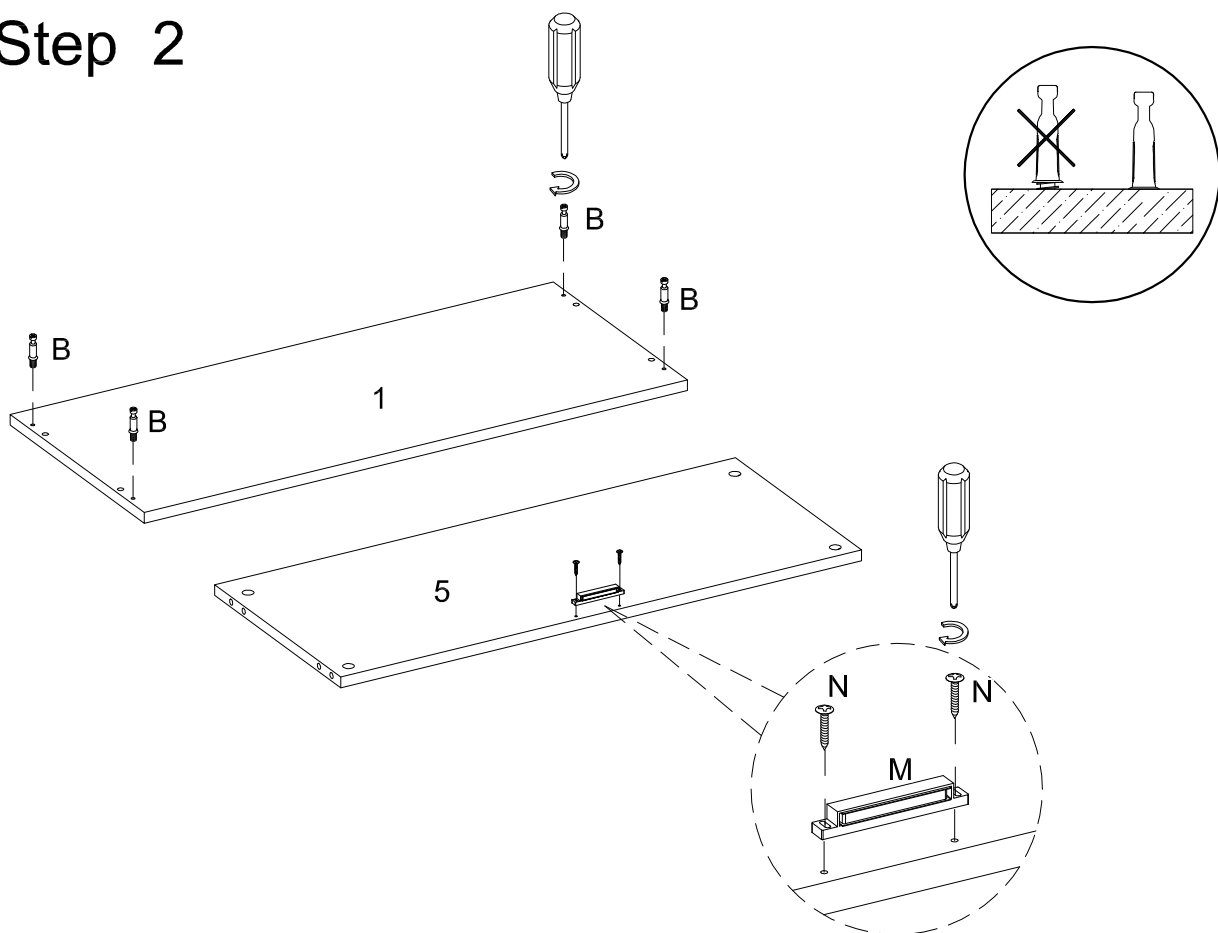


Philips head screwdriver required for assembly
(not included)

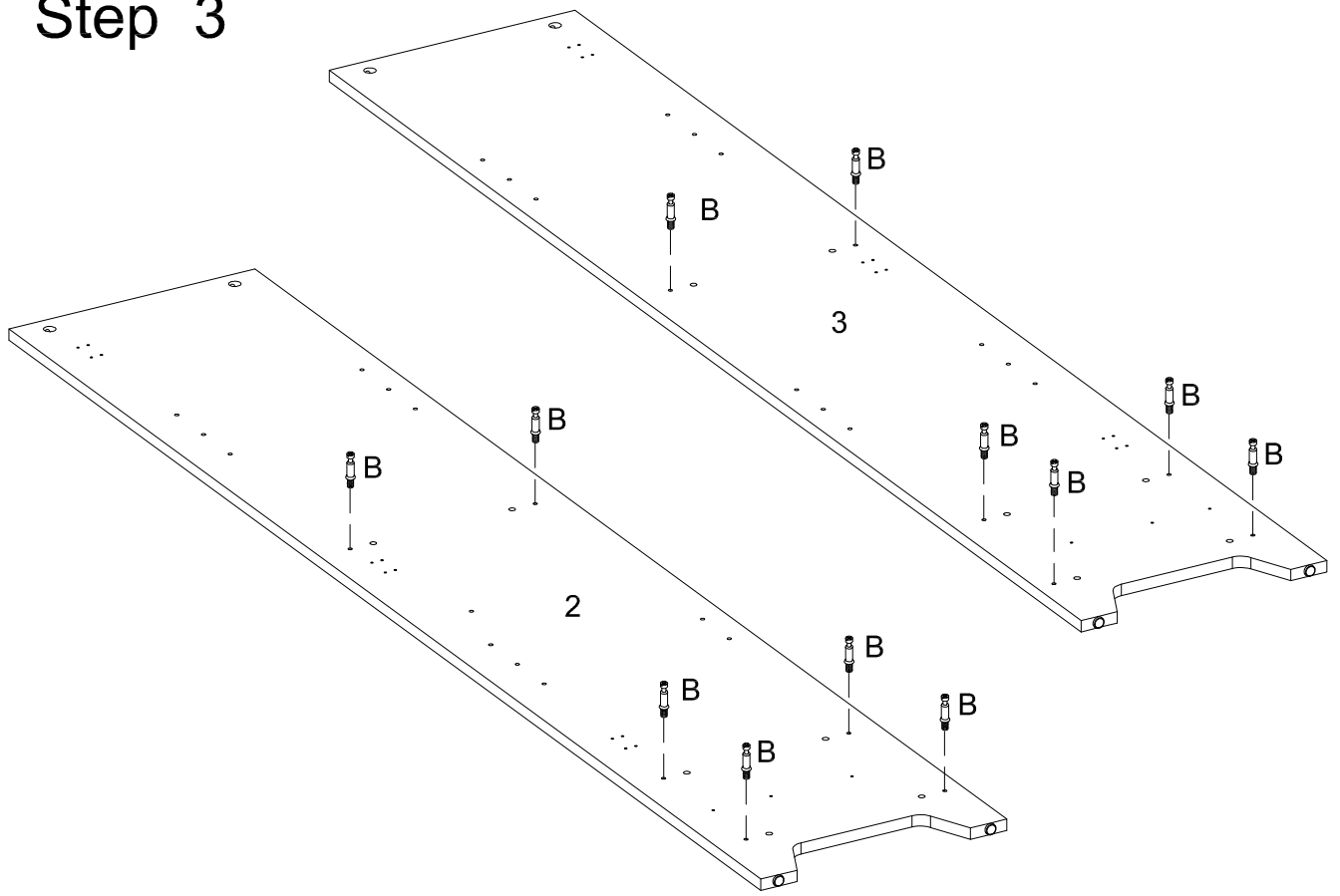
Step 1



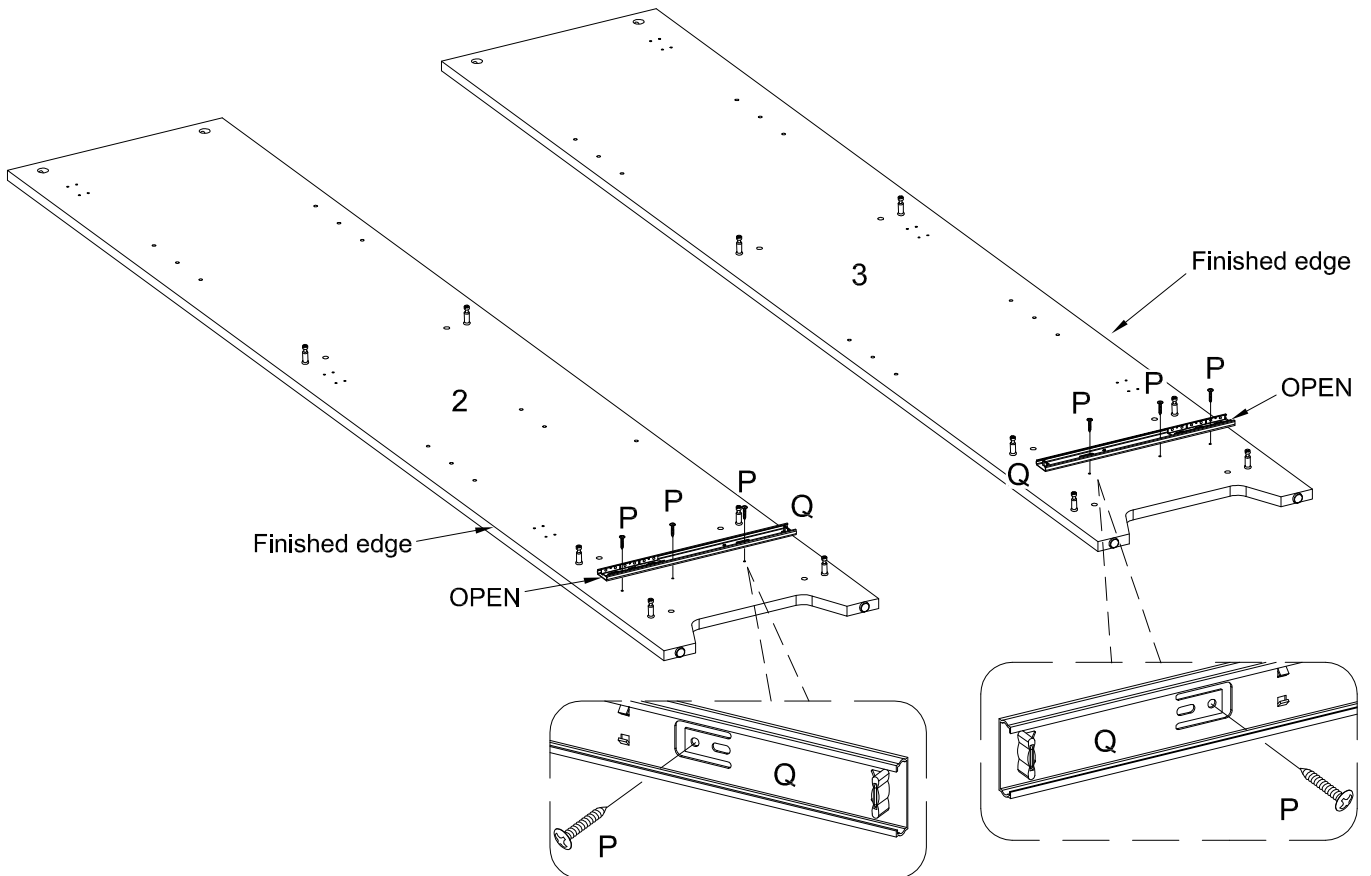
Step 2



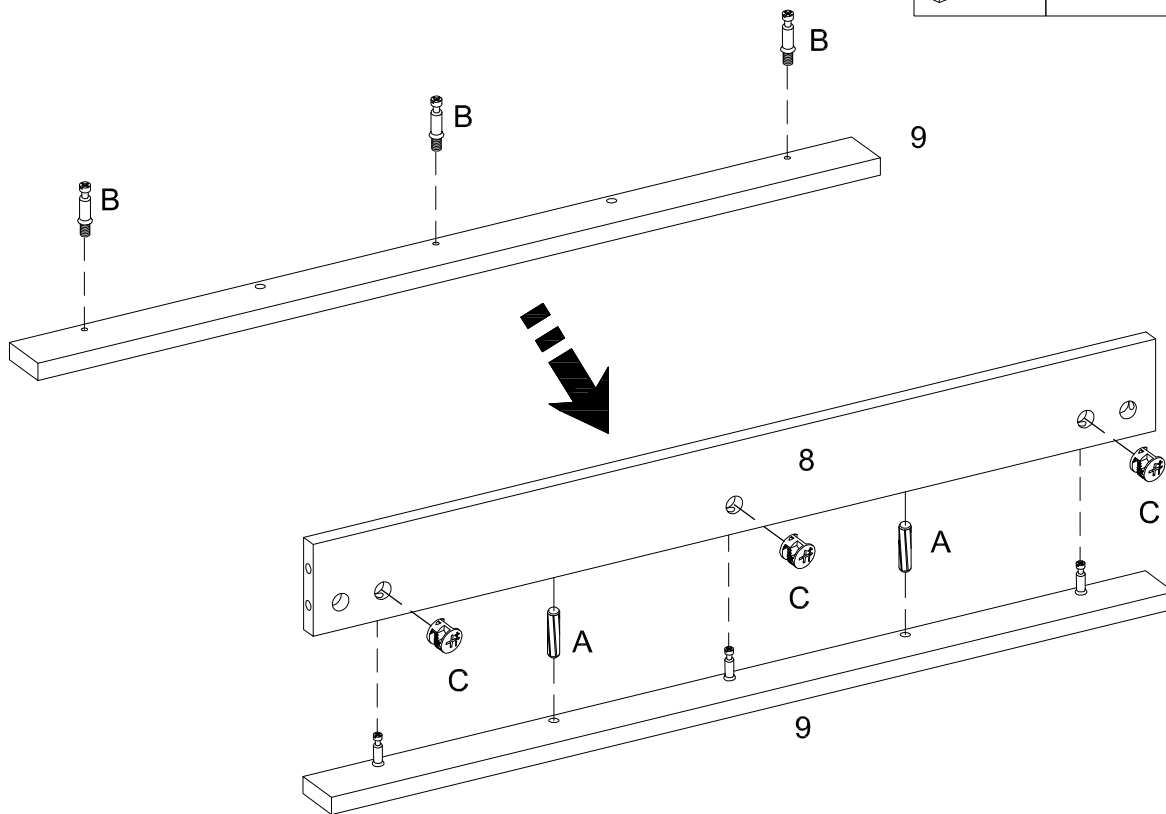
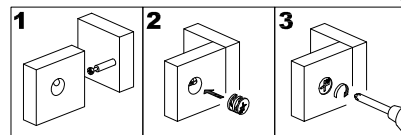
Step 3



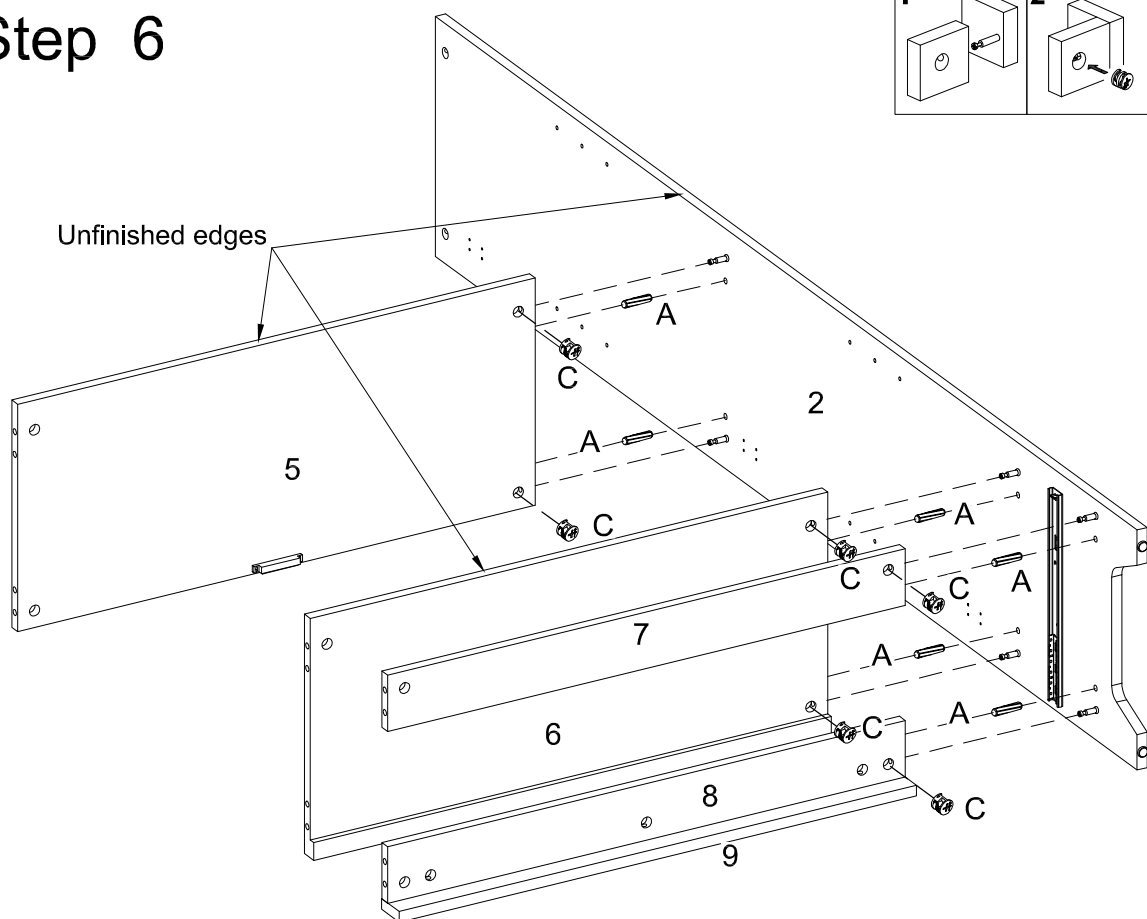
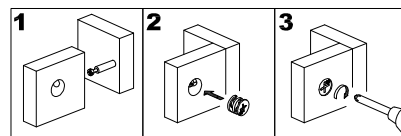
Step 4



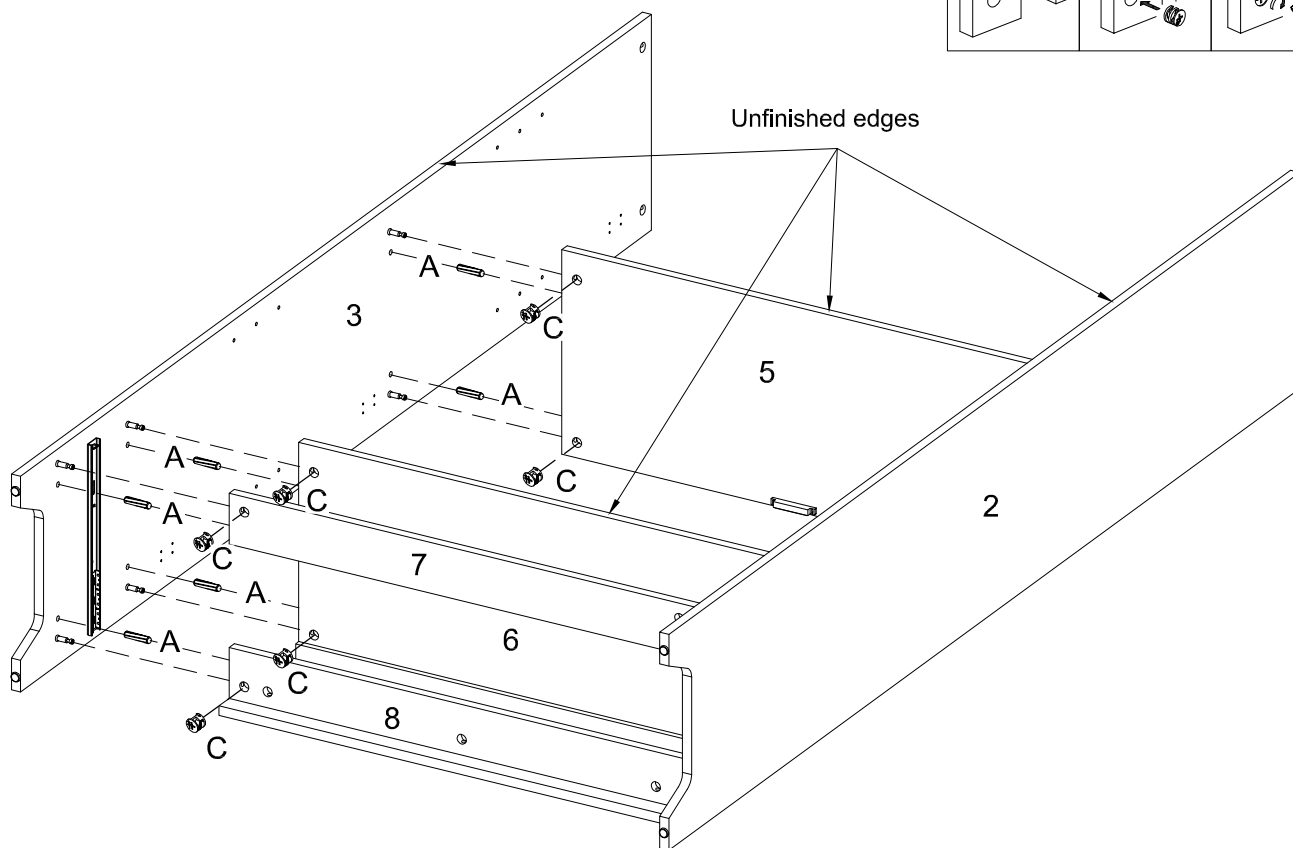
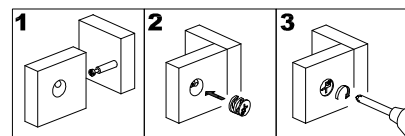
Step 5



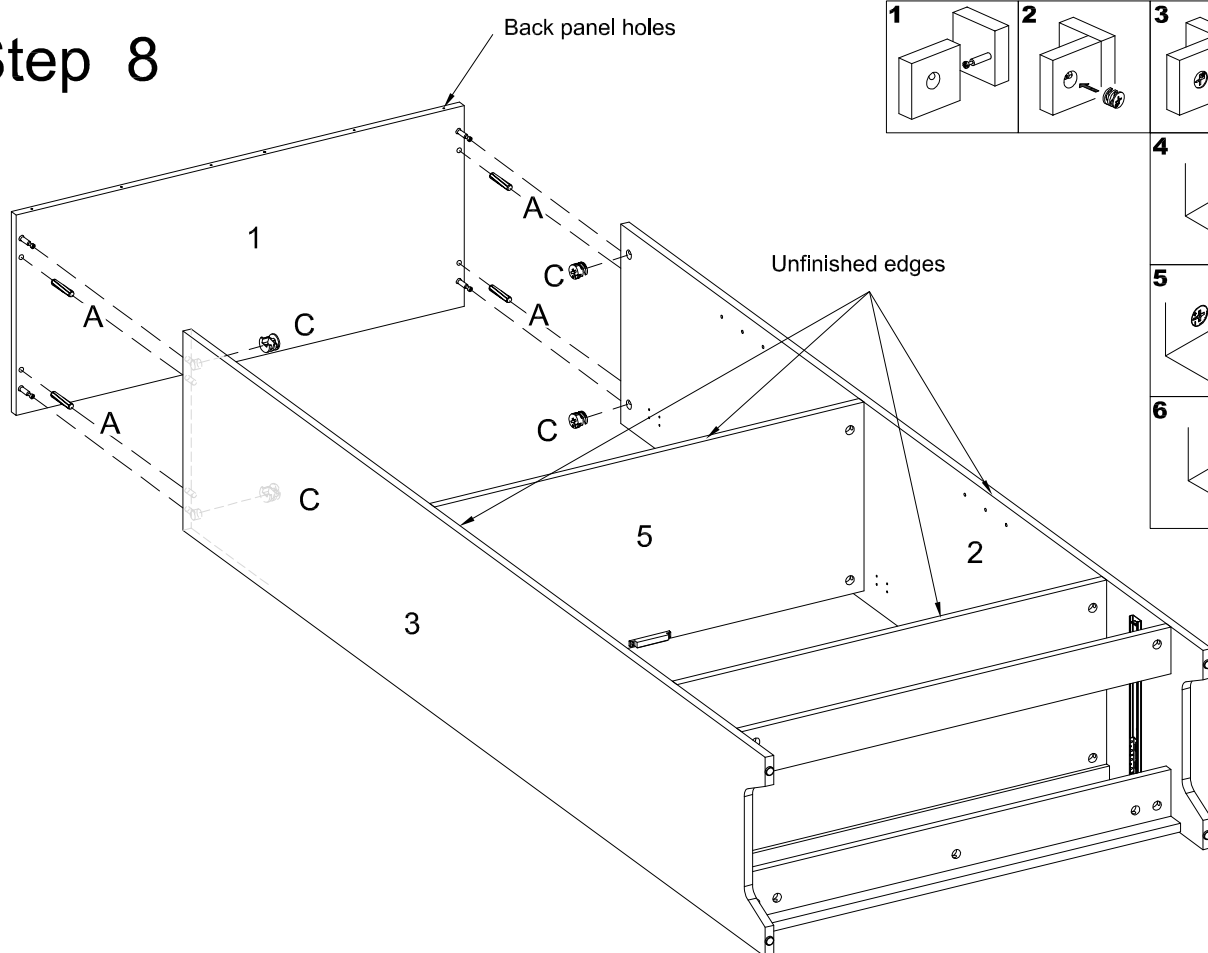
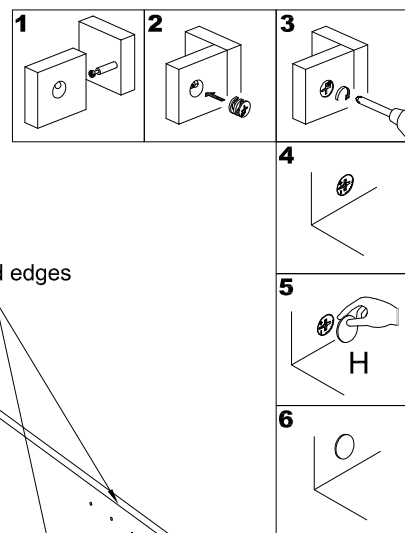
Step 6



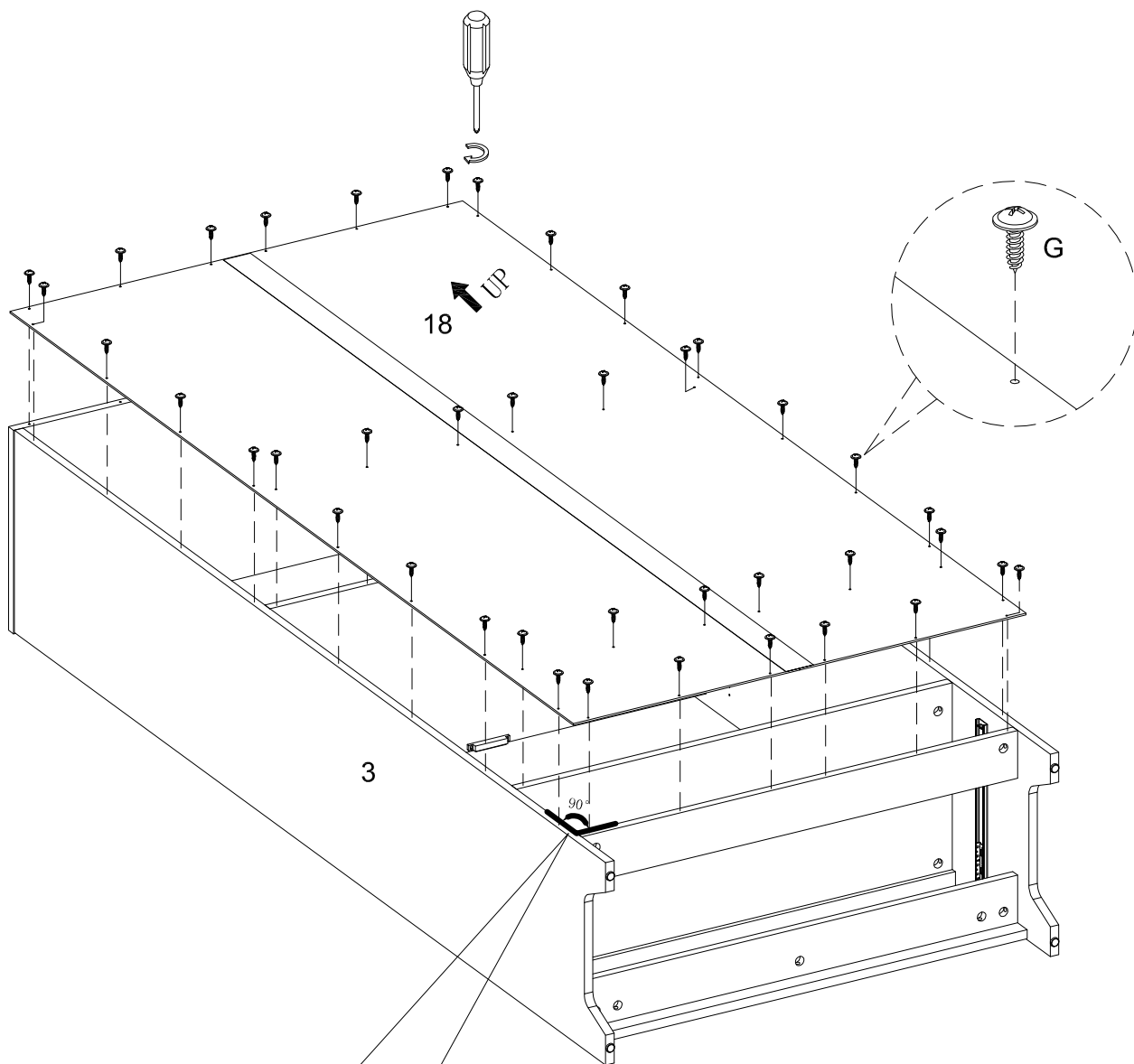
Step 7



Step 8

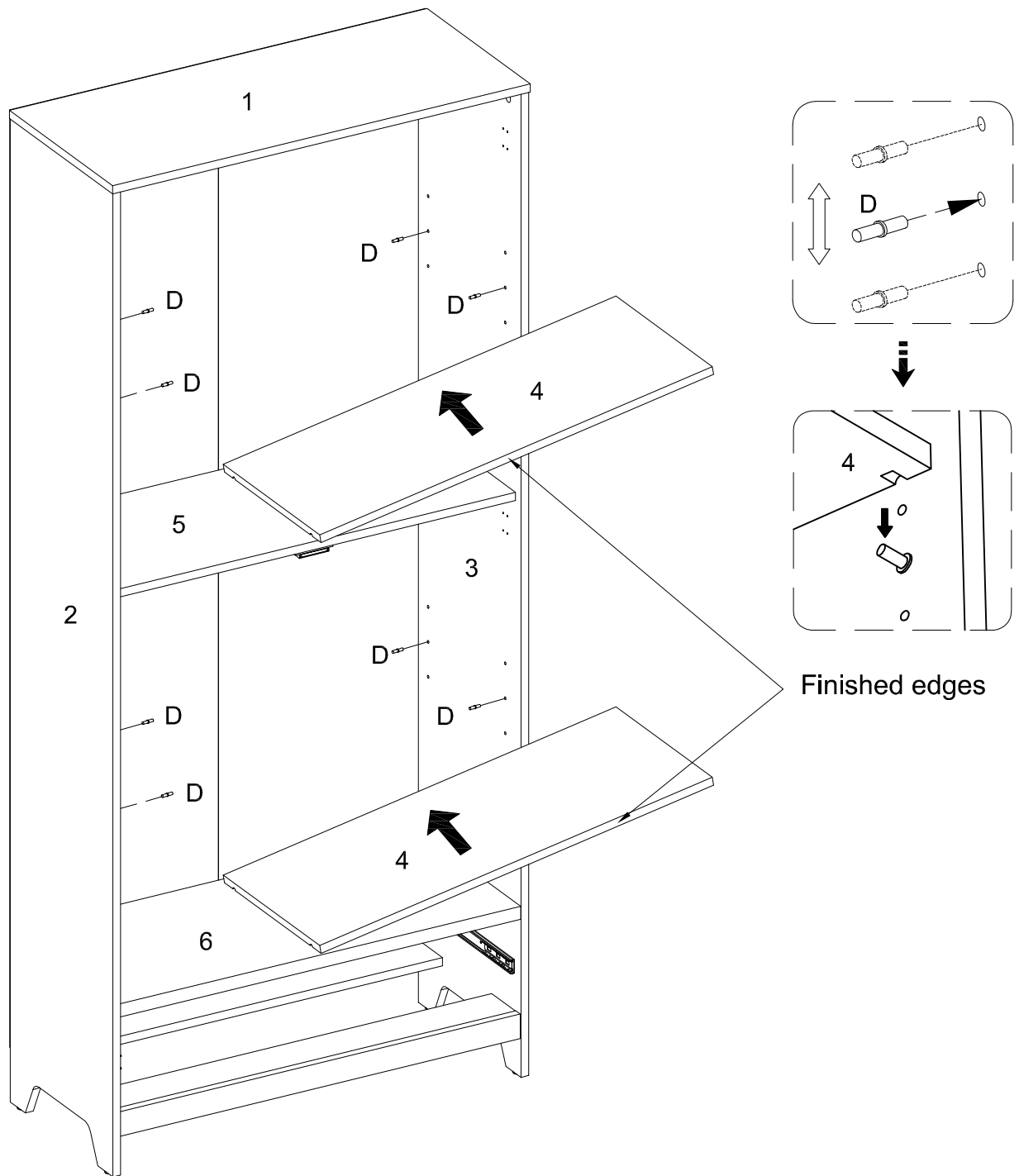


Step 9

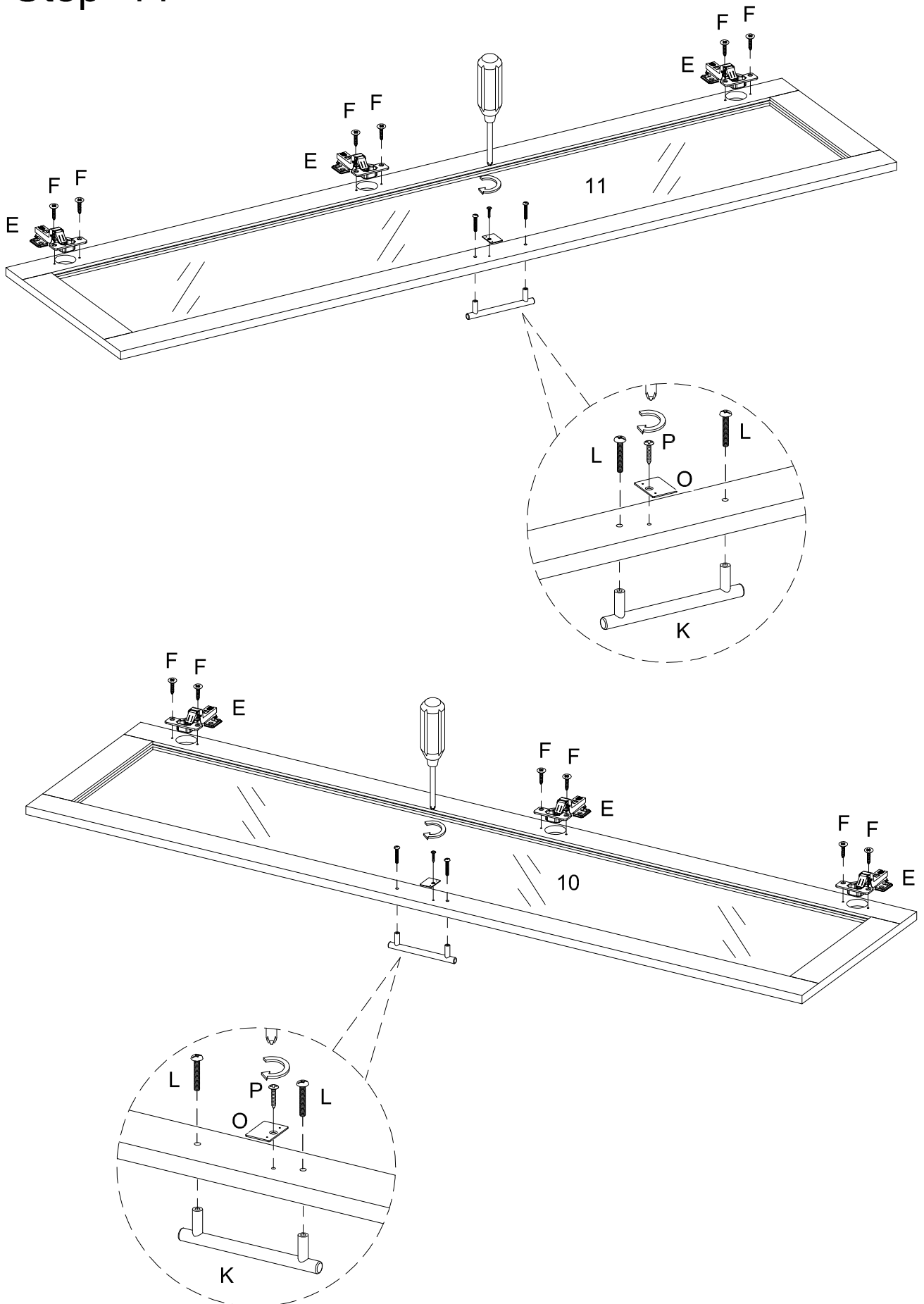


Before attaching the back panel make sure that it is square to the unit .

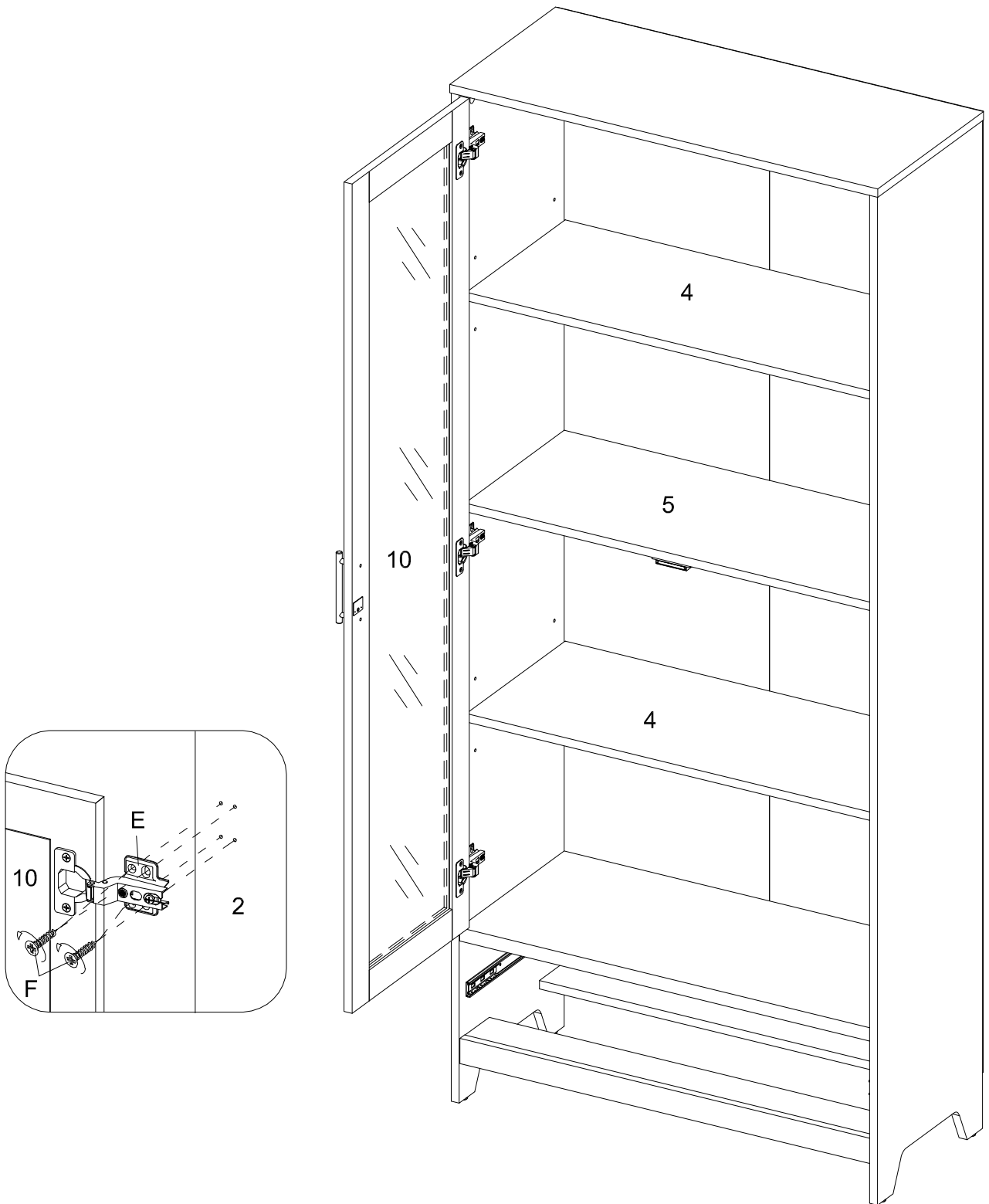
Step 10



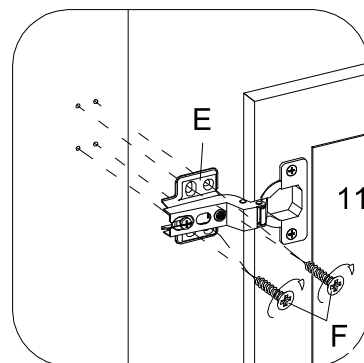
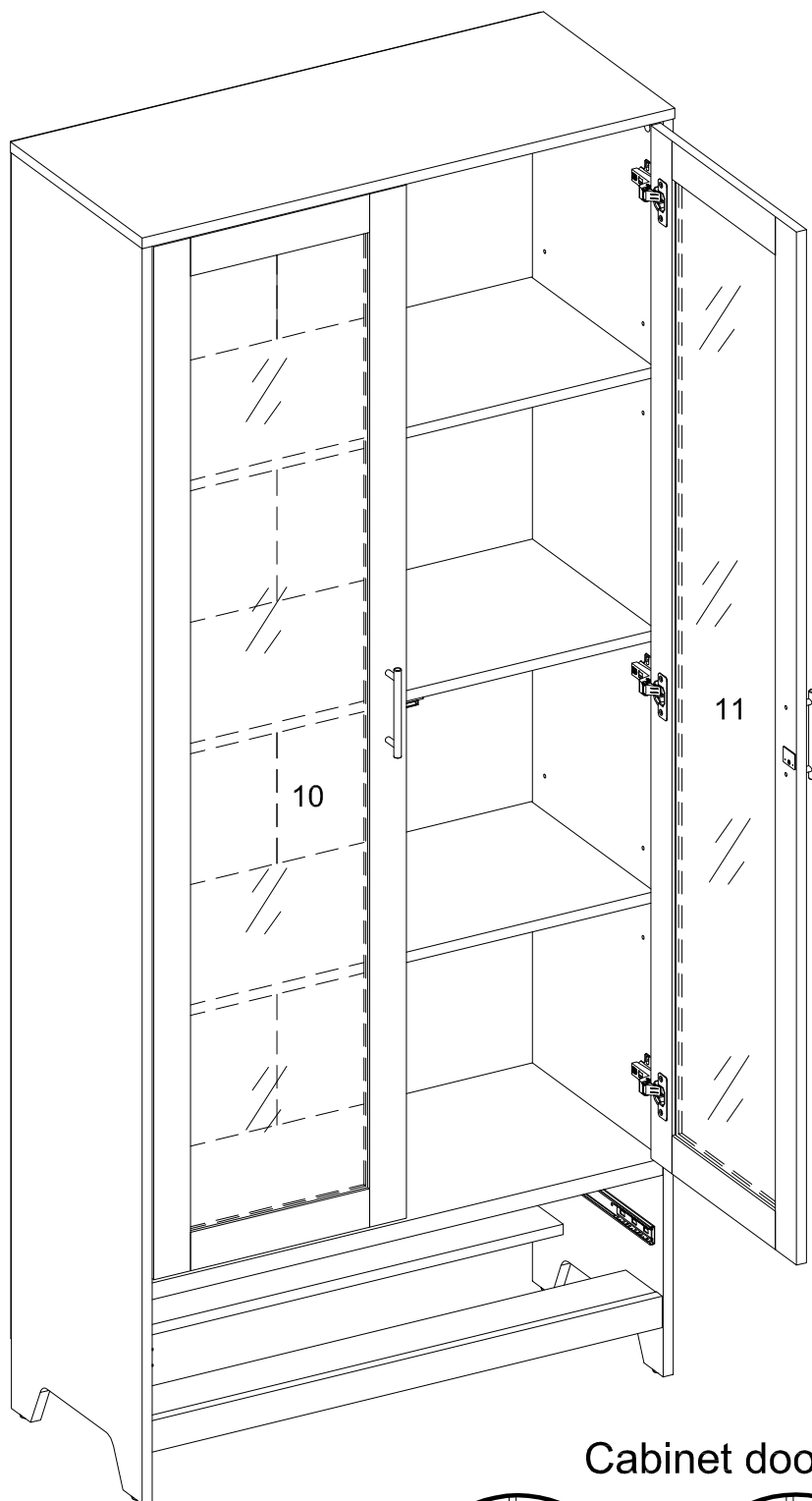
Step 11



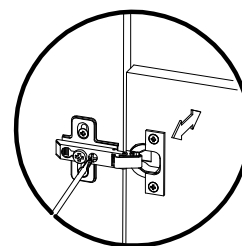
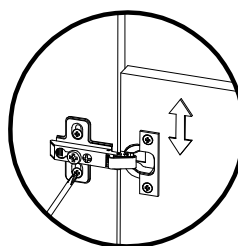
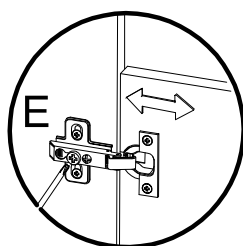
Step 12



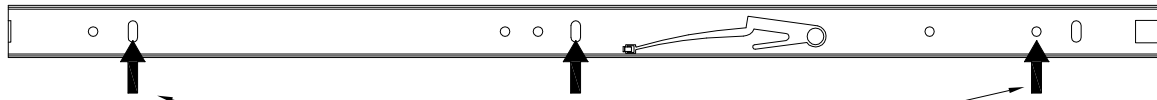
Step 13



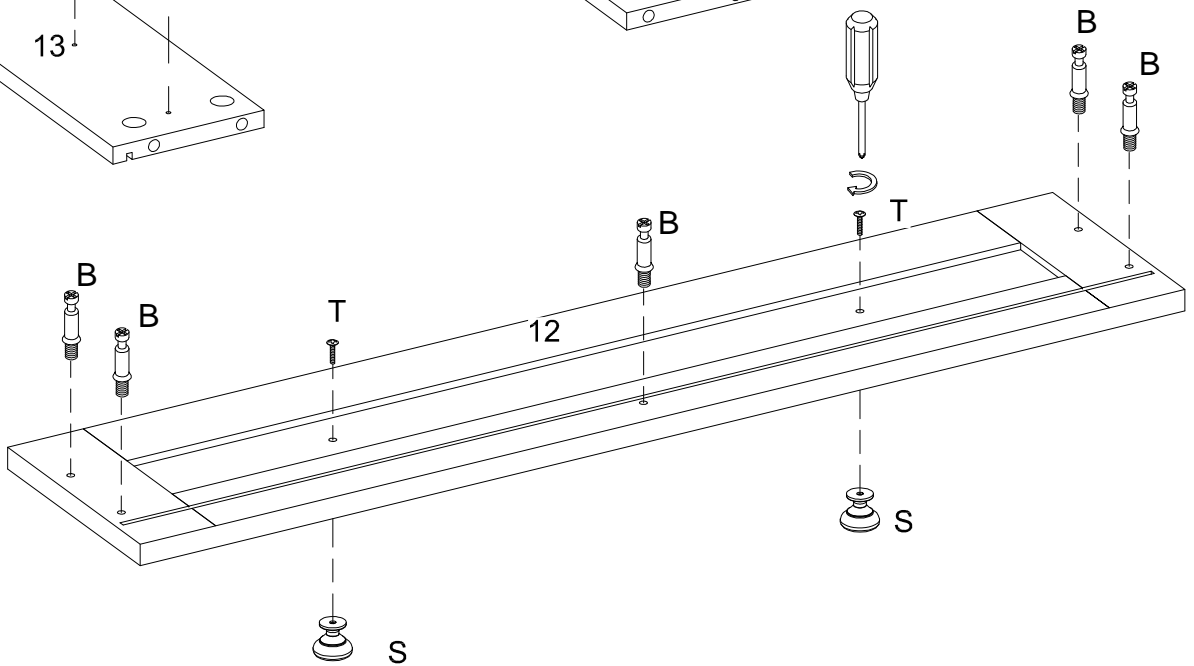
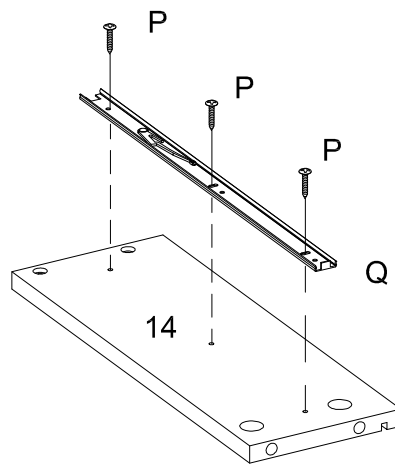
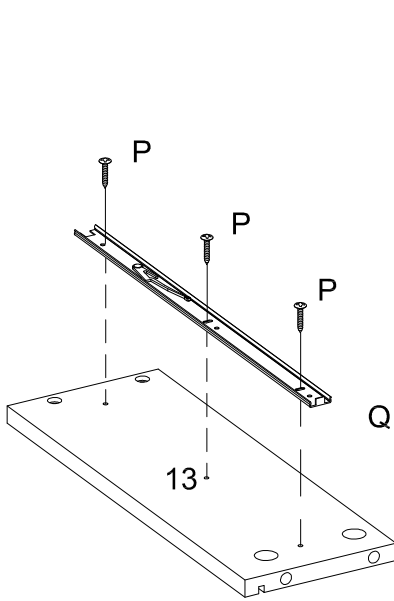
Cabinet door adjustments



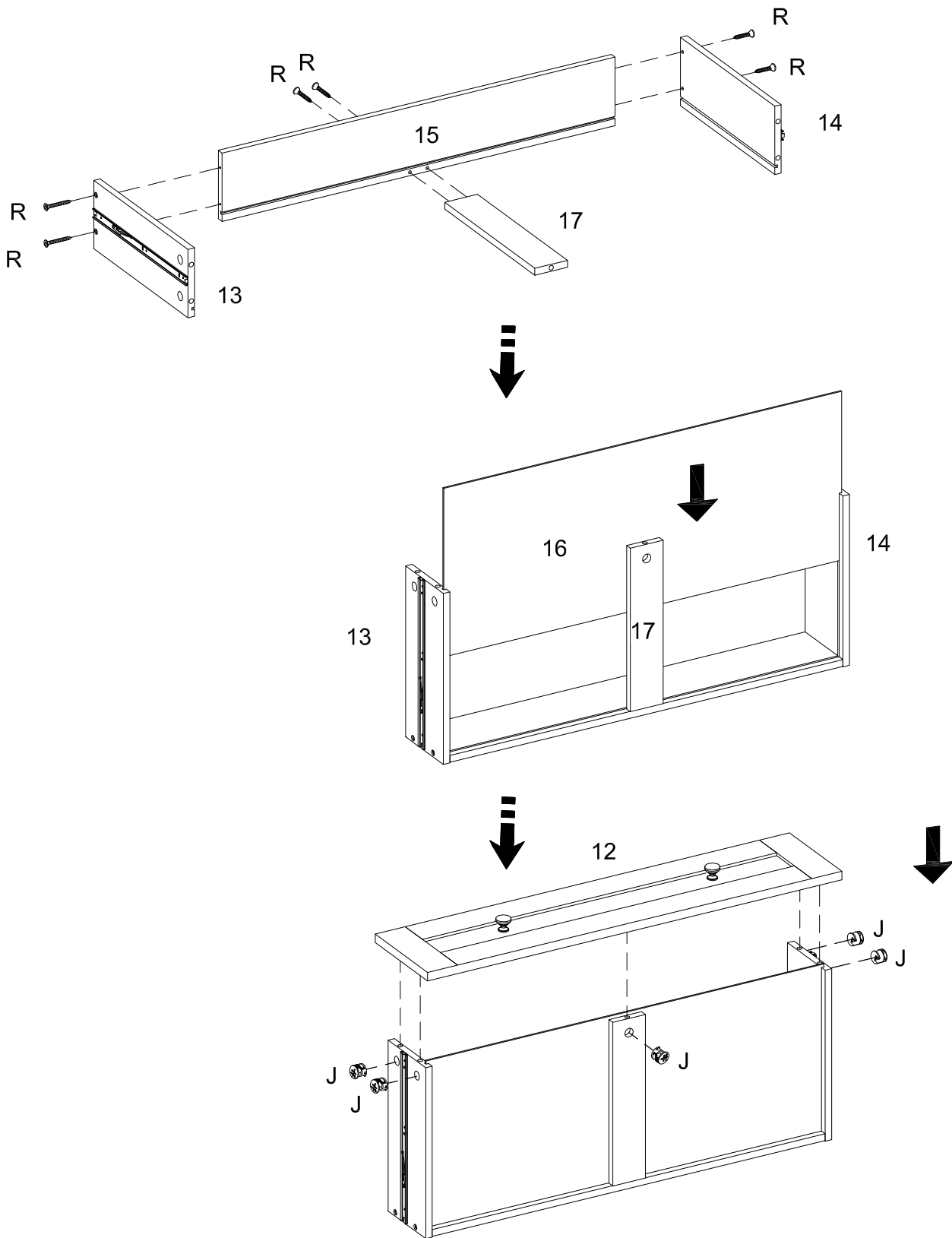
Step 14



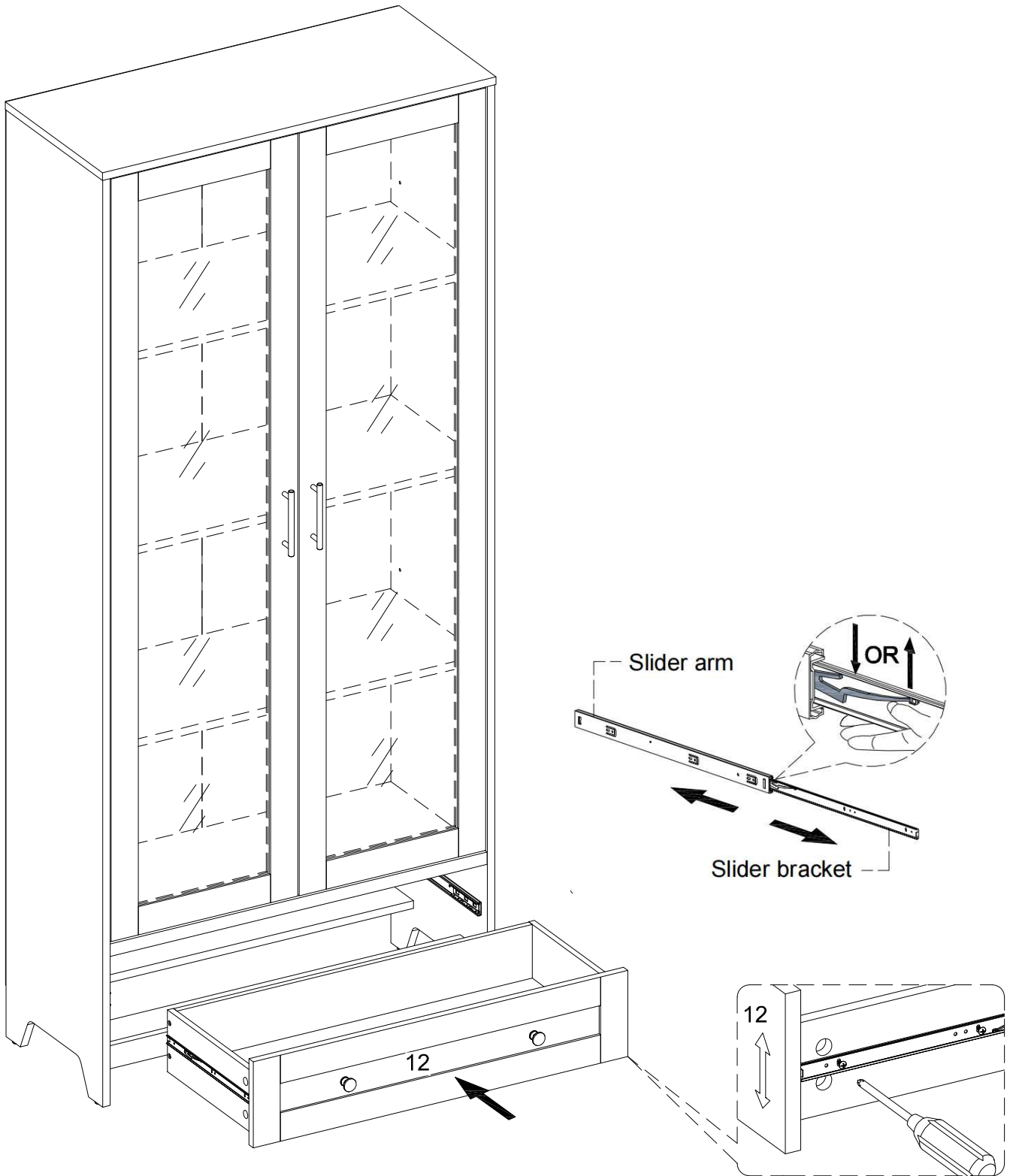
Mounting holes



Step 15



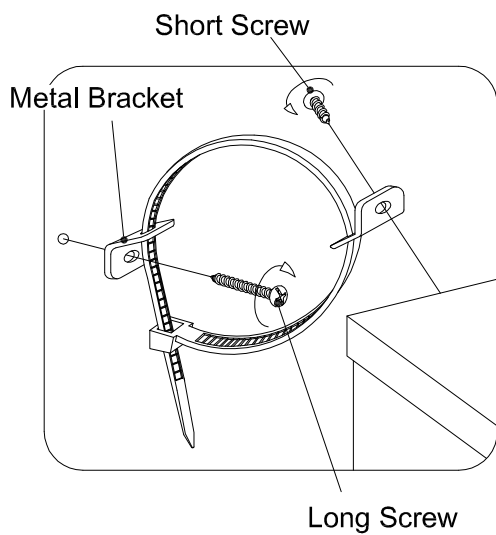
Step 16



Step 17

WARNING

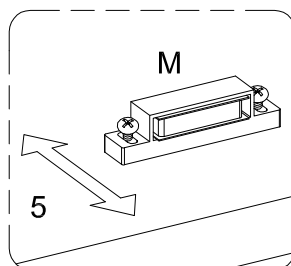
You must install the tip restraint hardware to help prevent any accidents or damage to the unit. We strongly recommend attaching the tip restraint hardware to a wall stud and your unit. For all other wall types, please visit your local hardware store to obtain the proper hardware.



Short Screw

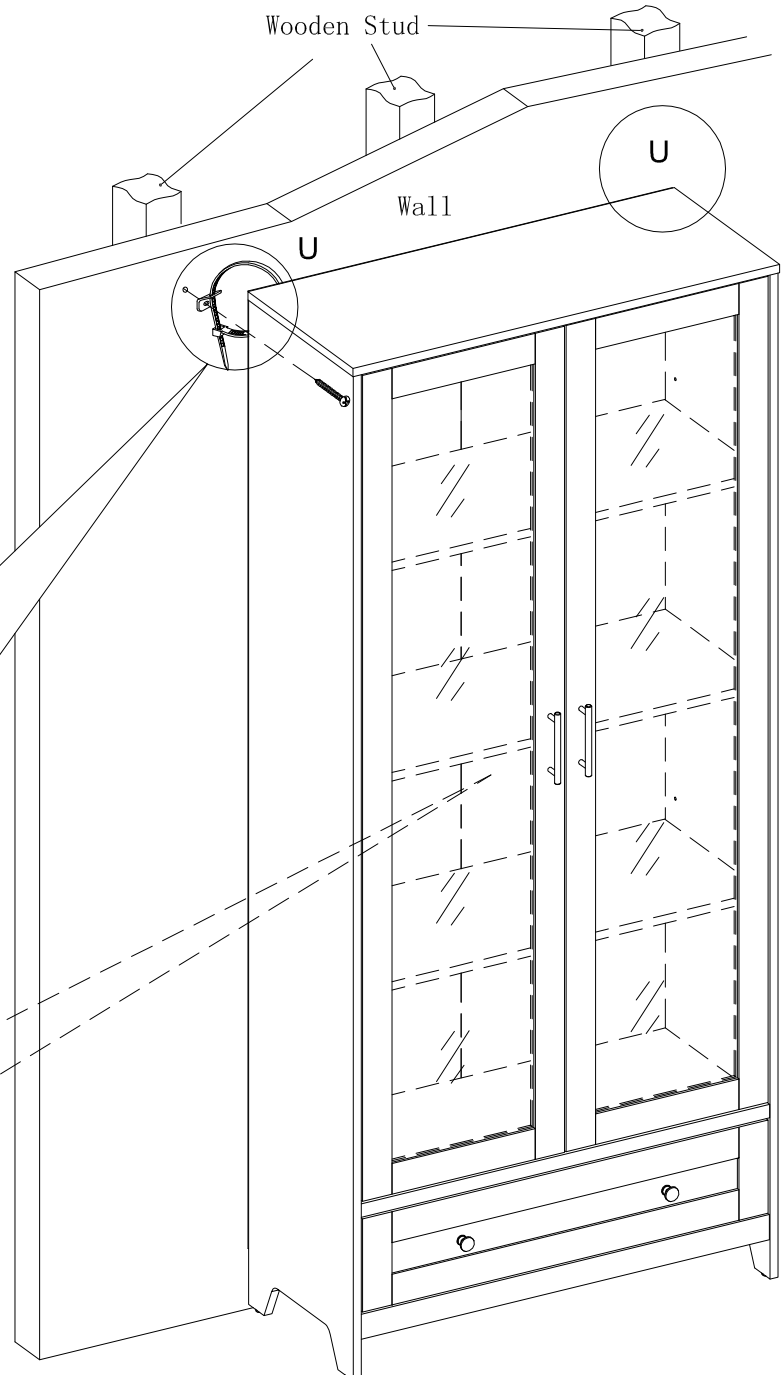
Metal Bracket

Long Screw



M

5



Wooden Stud

Wall

U

U