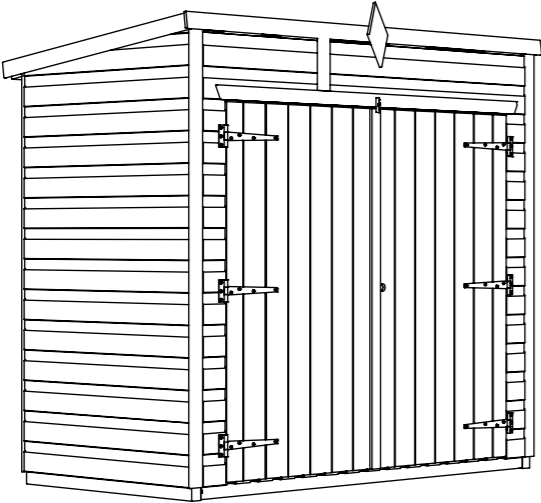


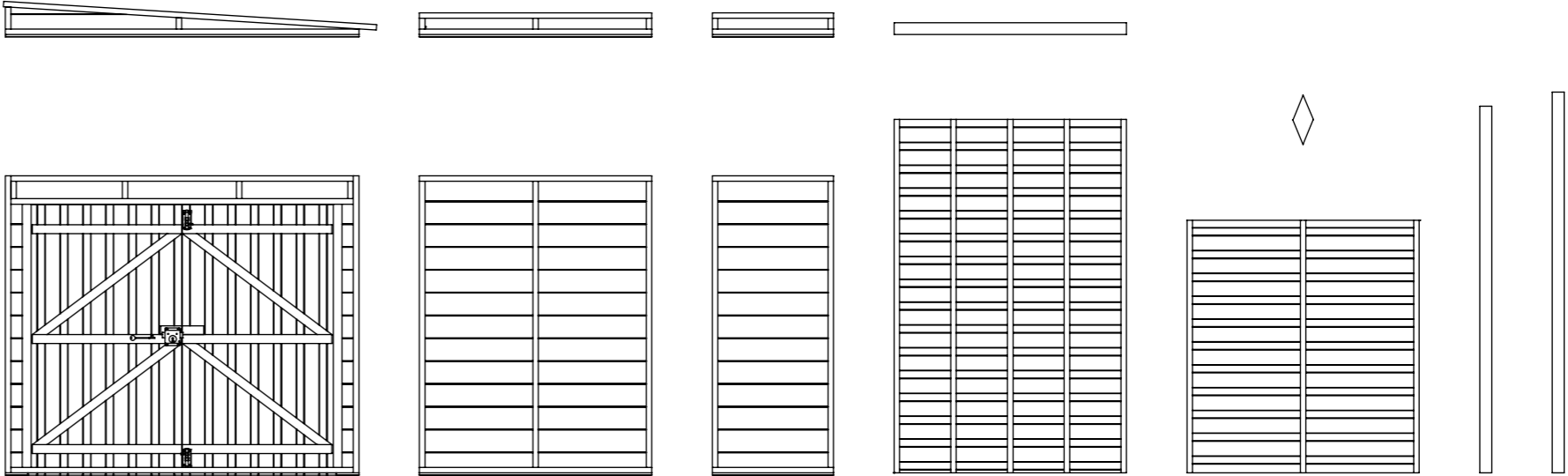
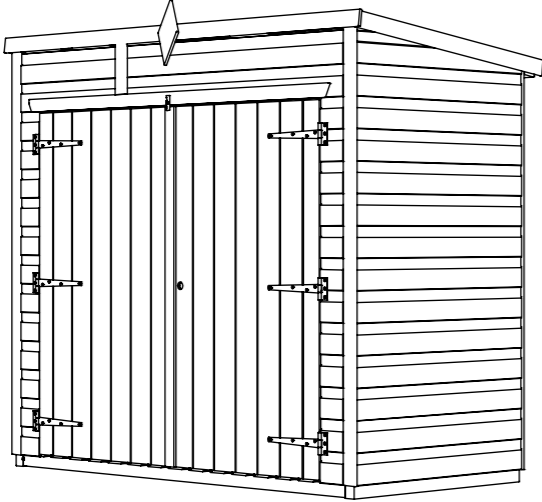
TIGERFLEX PENT BIKE STORE - ASSEMBLY GUIDE



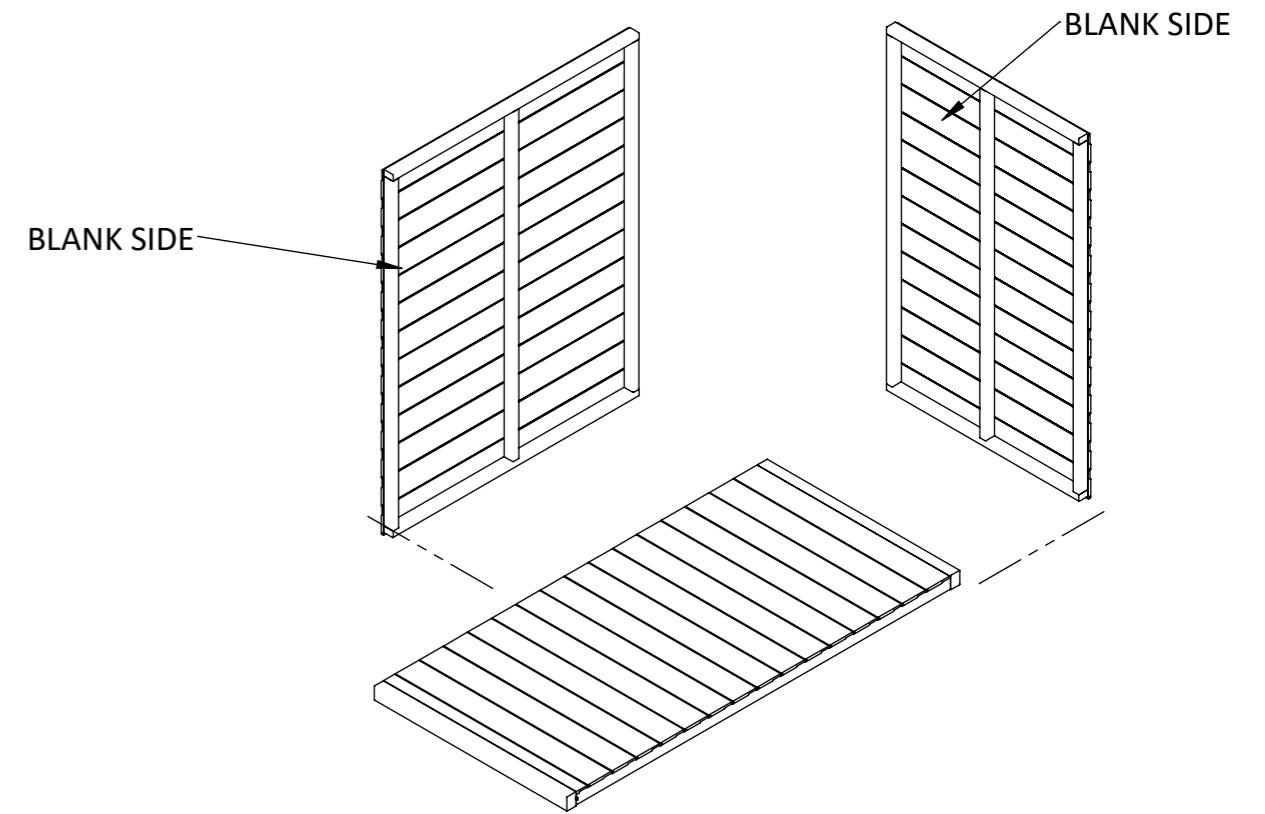
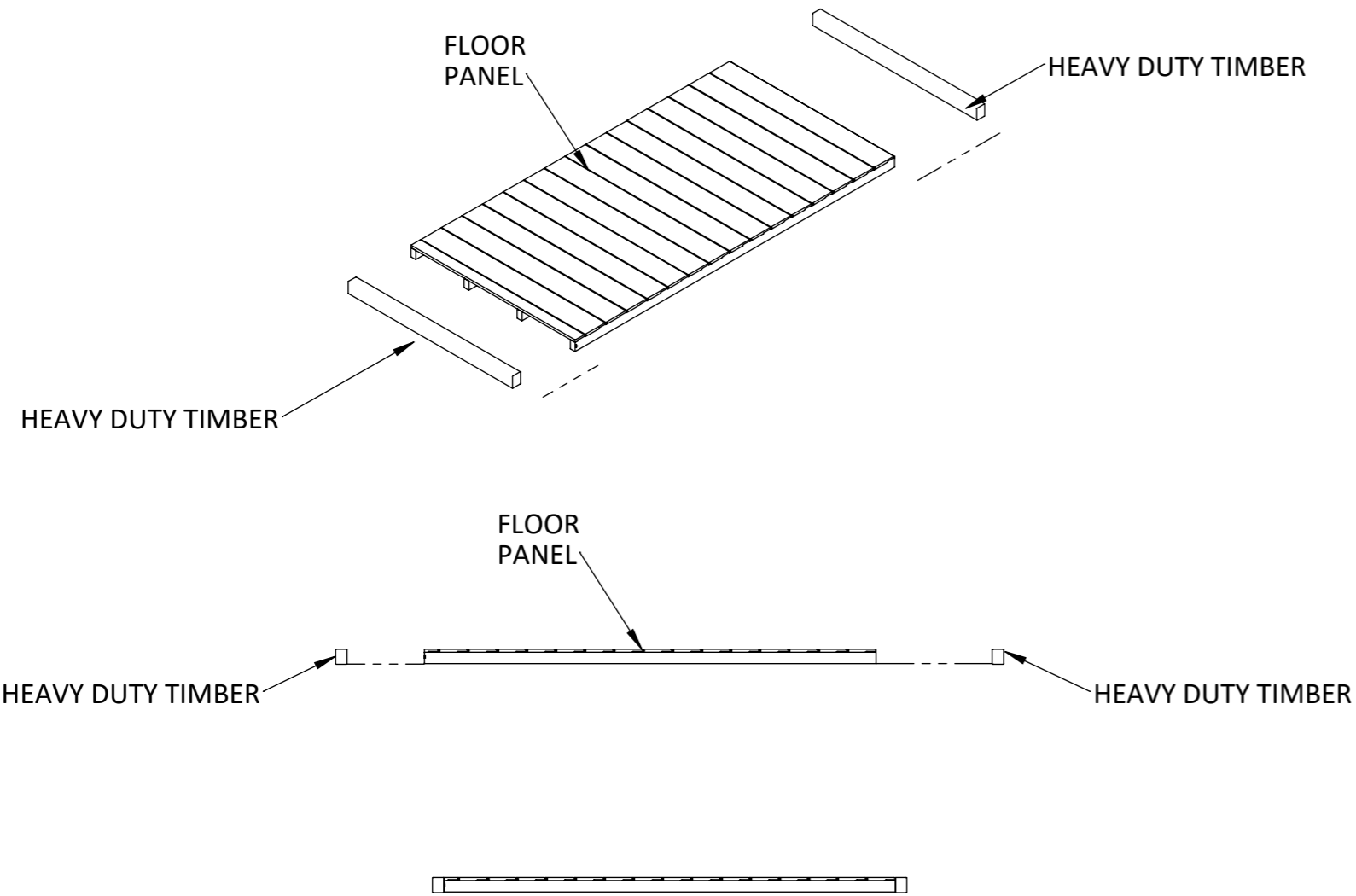
BEFORE YOU START :

MAKE SURE ALL PARTS ARE SUPPLIED.
CHECK BASE YOU ARE BUILDING ON IS FIRM & LEVEL.
WEATHER CONDITIONS ARE FAVOURABLE FOR ASSEMBLING A SHED.

WE WOULD RECOMMEND ASSEMBLY AS A 2 PERSON JOB.

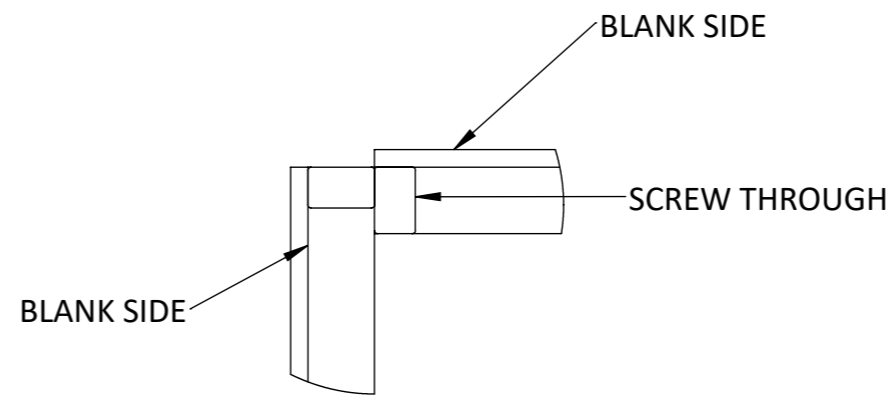


TIGERFLEX PENT BIKE STORE - ASSEMBLY GUIDE

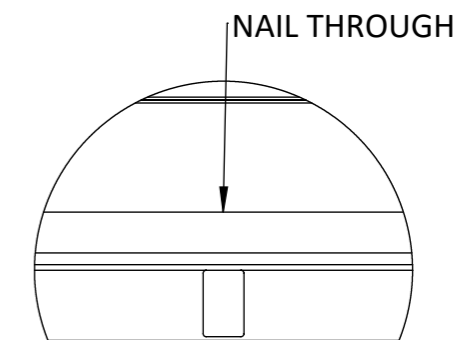


FLOOR INSTALLATION & SIDE PANEL ASSEMBLY.

- INSTALL HEAVY DUTY TIMBER AS SHOWN.
- SECURE TO BASE USING 90mm SCREWS PROVIDED.
 - NOTE - MAKE SURE FIXINGS GO THROUGH FLOOR JOISTS.
 - 2 SCREWS PER HEAVY DUTY TIMBER.
- SECURE BLANK SIDES TO EACH OTHER IN CORNERS USING 2X 50mm SCREWS PER JOIN. SEE DETAIL A.
- SECURE PANELS TO FLOOR USING 65mm NAILS
 - NOTE - MAKE SURE FIXINGS GO THROUGH FLOOR JOISTS OR INTO HEAVY DUTY TIMBER - SEE DETAIL B.

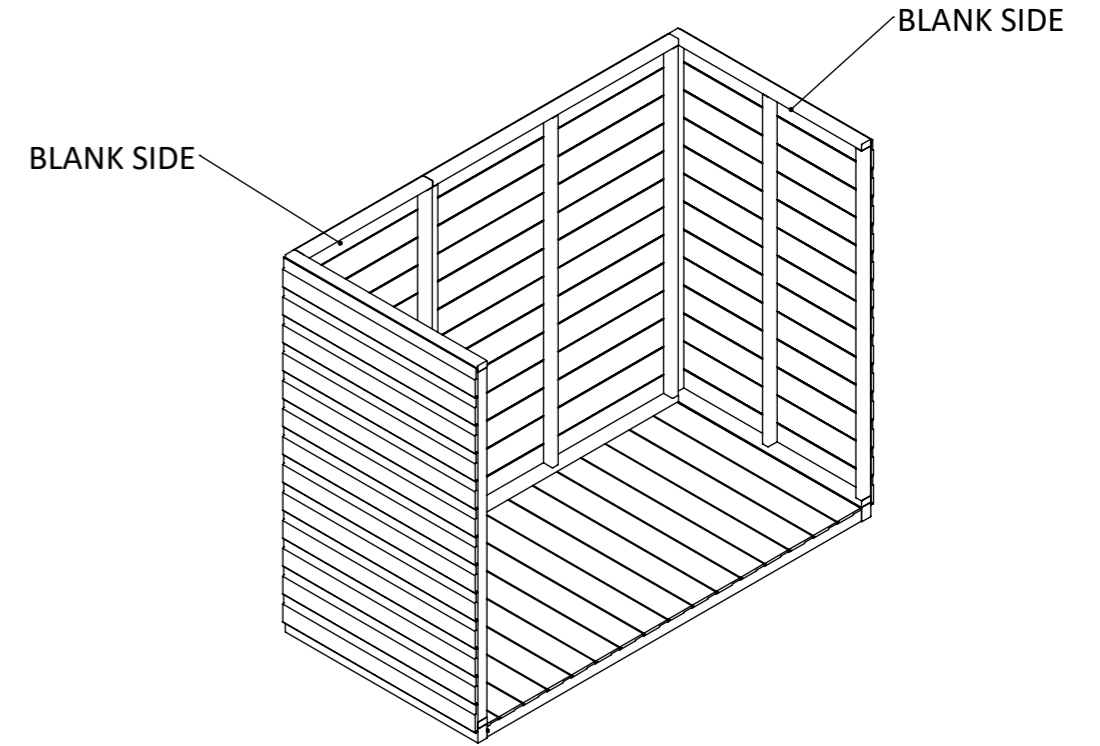
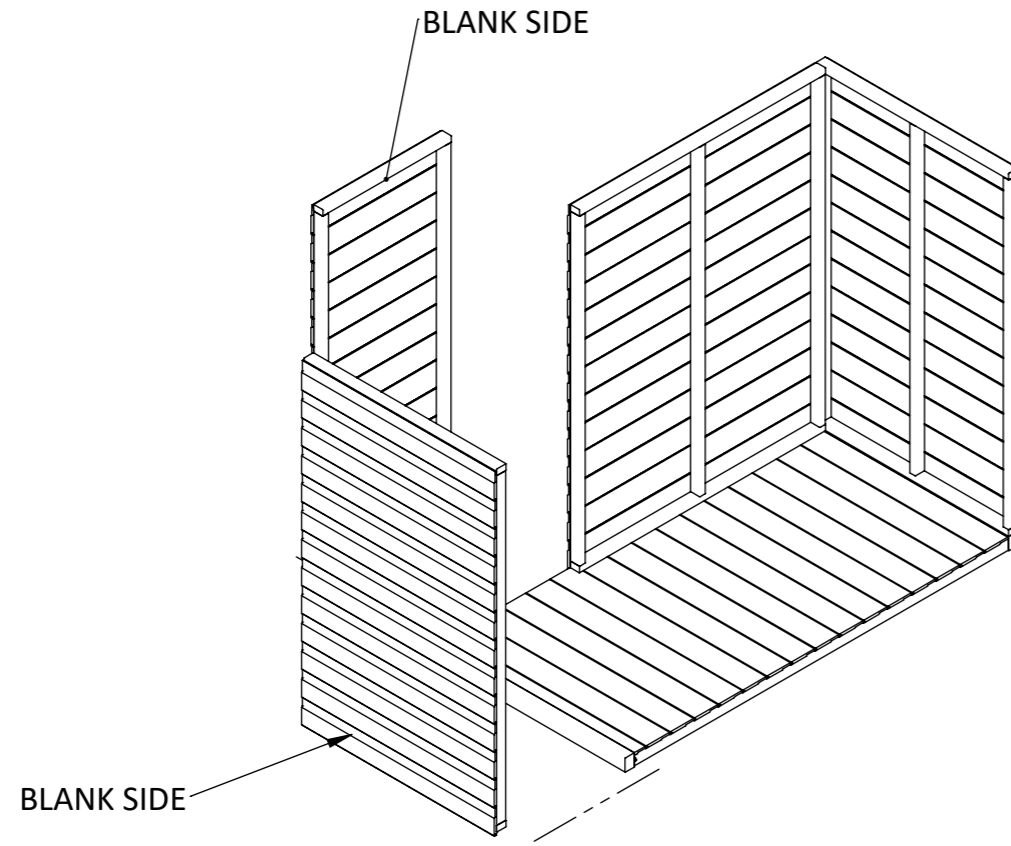


DETAIL A



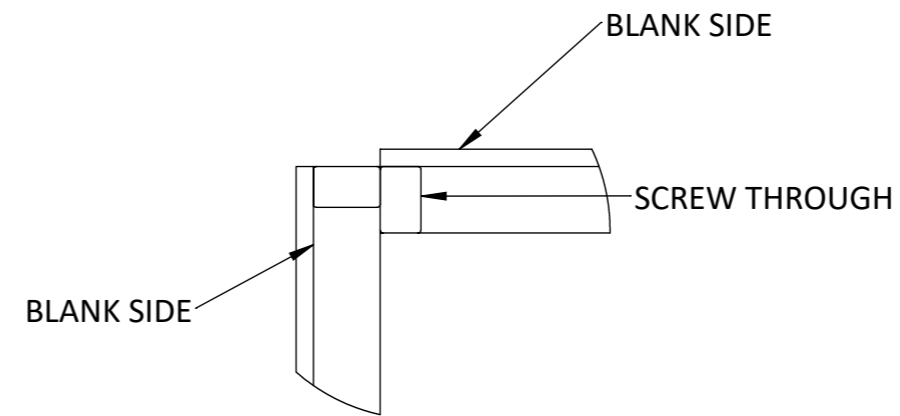
DETAIL B

TIGERFLEX PENT BIKE STORE - ASSEMBLY GUIDE

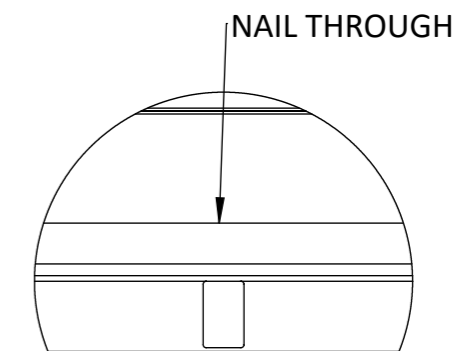


SIDE PANEL ASSEMBLY.

- SECURE BLANK SIDES TO EACH OTHER IN CORNERS USING 2X 50mm SCREWS PER JOIN. SEE DETAIL A.
- SECURE PANELS TO FLOOR USING 65mm NAILS
 - NOTE - MAKE SURE FIXINGS GO THROUGH FLOOR JOISTS OR INTO HEAVY DUTY TIMBER - SEE DETAIL B.

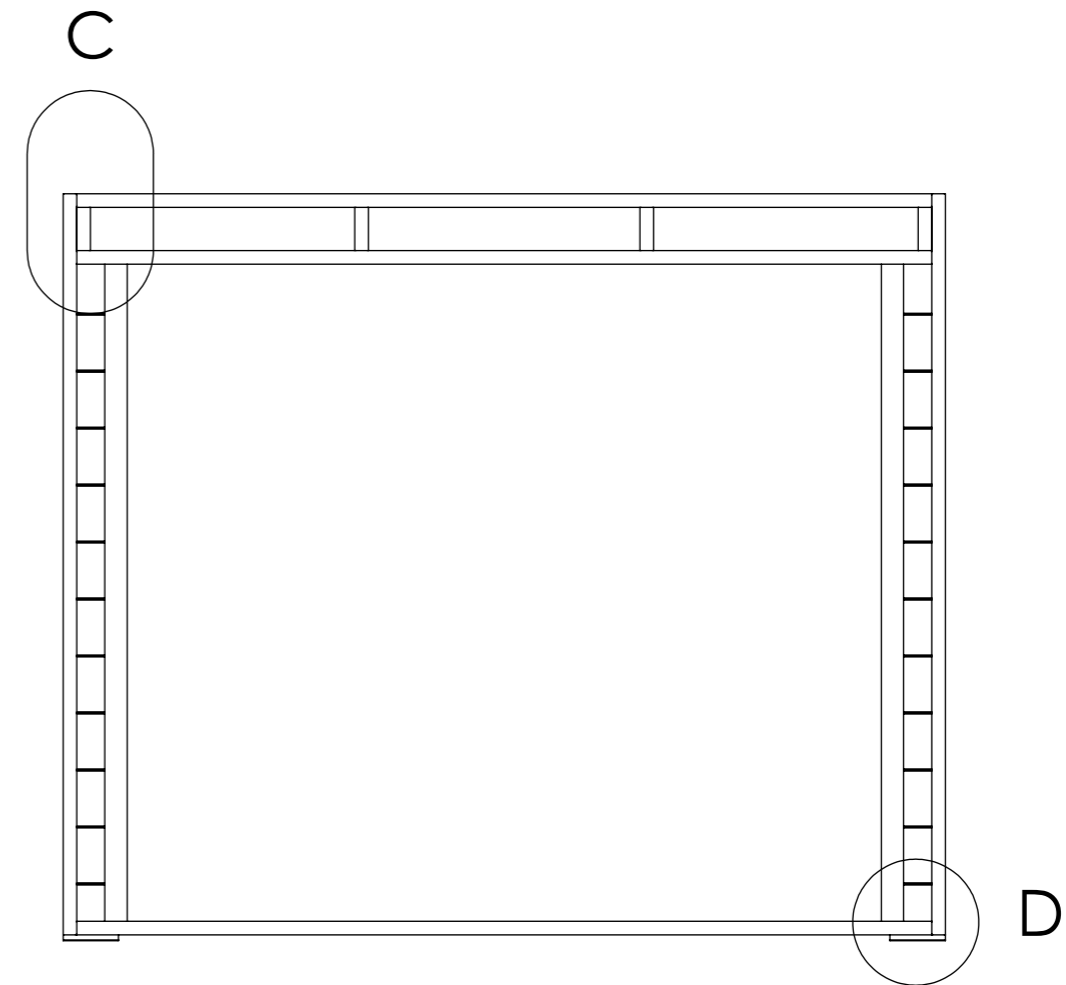
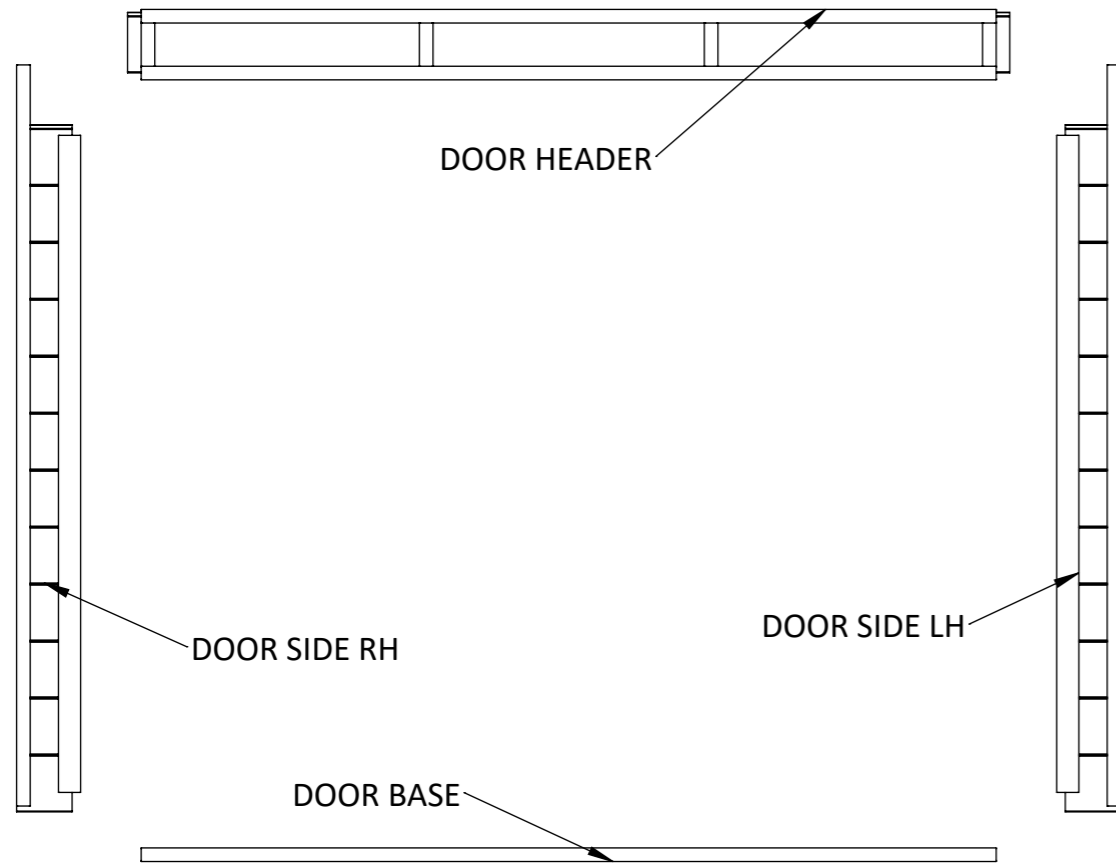


DETAIL A



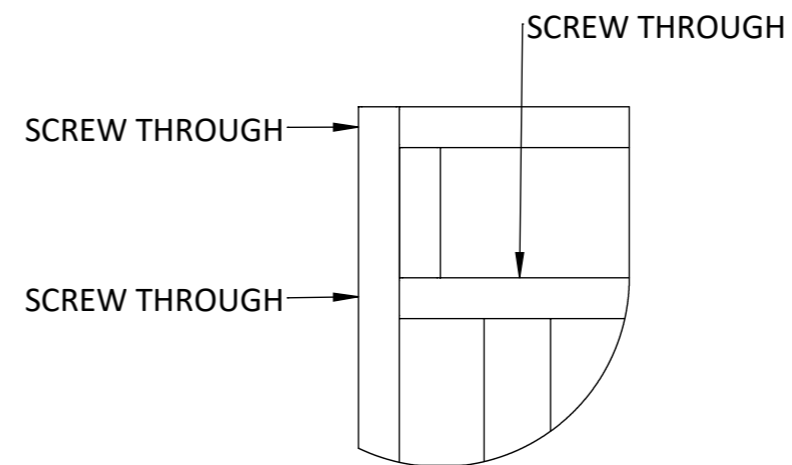
DETAIL B

TIGERFLEX PENT BIKE STORE - ASSEMBLY GUIDE

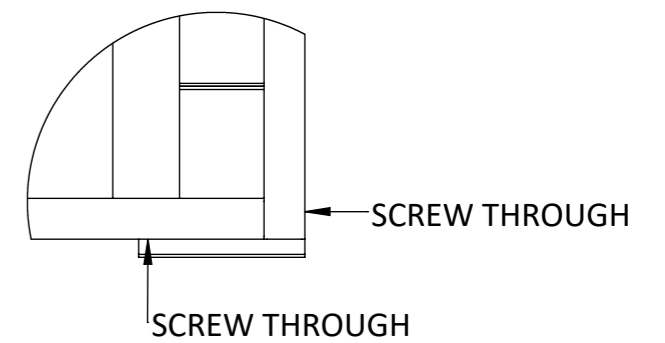


DOOR PANEL ASSEMBLY.

- SCREW HEADERS TO THE SIDES AS SHOWN (LH & RH) 50mm SCREWS - SEE DETAIL C.
- NOTE - CUSTOMER TO PRE-DRILL HOLES TO REDUCE CHANCES OF WOOD SPLITTING.
- SCREW BASE TO THE SIDES AS SHOWN (LH & RH) - SEE DETAIL D.
- CHECK FRAME IS SQUARE BY MEASURING ACROSS CORNERS.

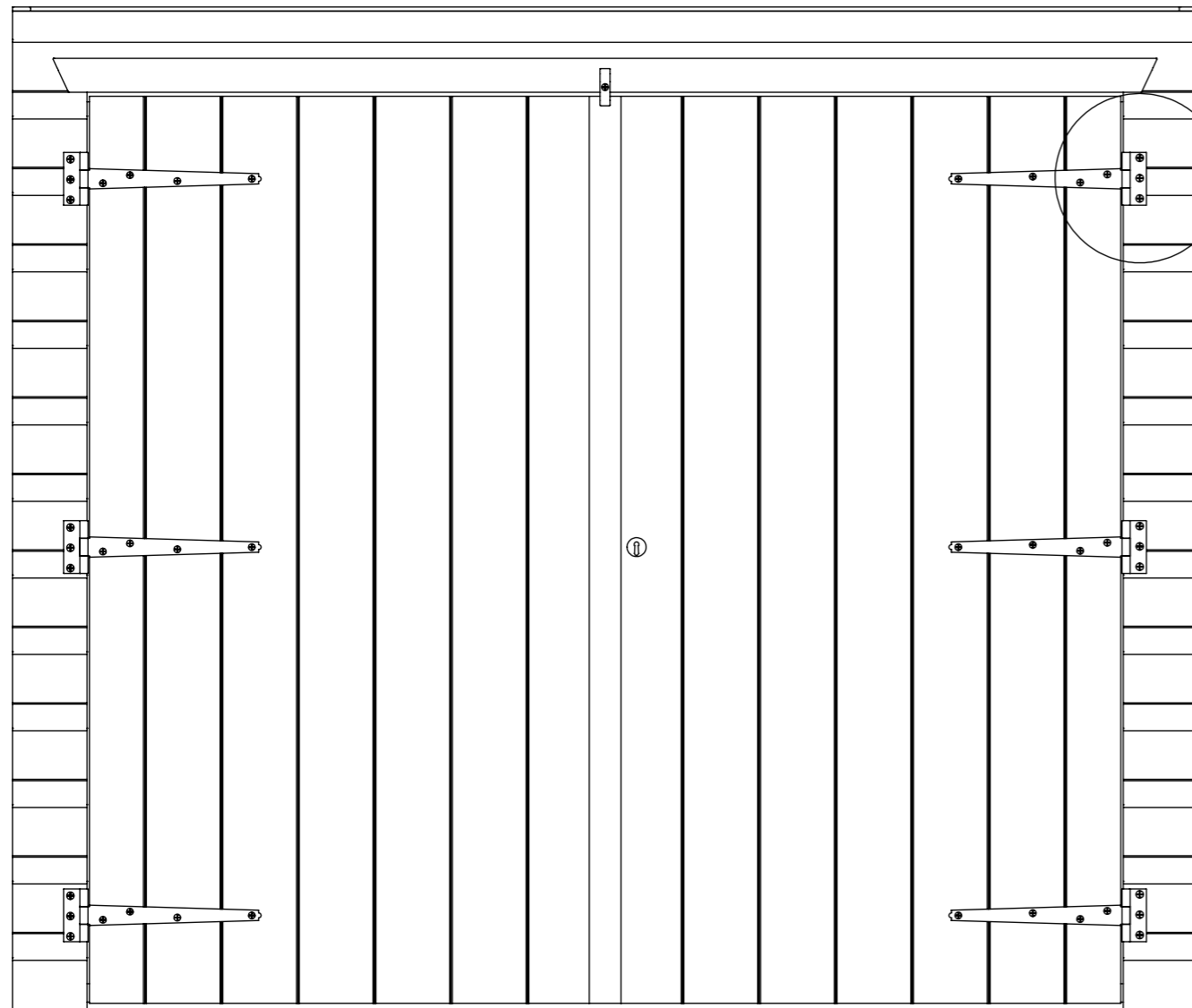


DETAIL C
SHOWING RH SIDE

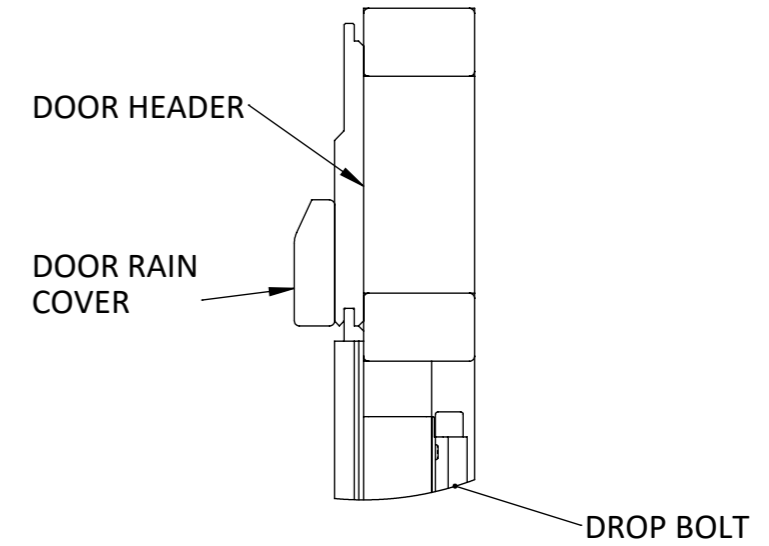


DETAIL D
SHOWING LH SIDE

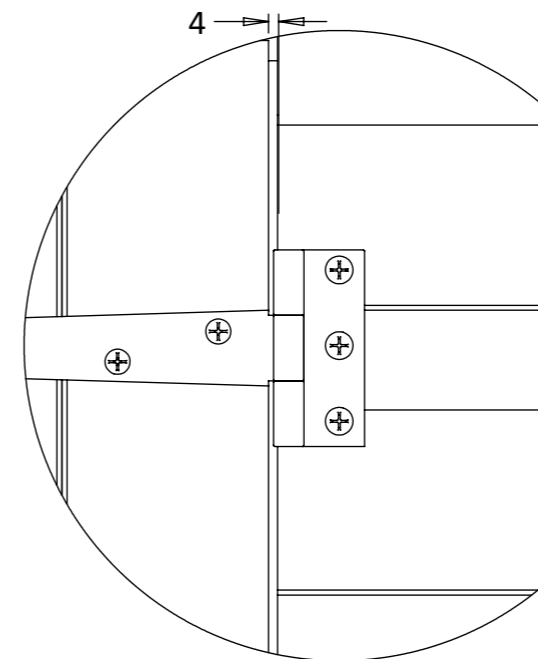
TIGERFLEX PENT BIKE STORE - ASSEMBLY GUIDE



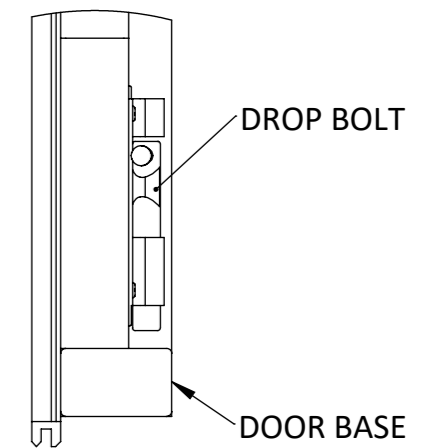
E



DOOR TOP DETAIL
MARK POSITION OF DROP BOLT ON
DOOR HEADER AND DRILL HOLE



DETAIL E
3 SCREWS PER HINGE
6 HINGES TOTAL

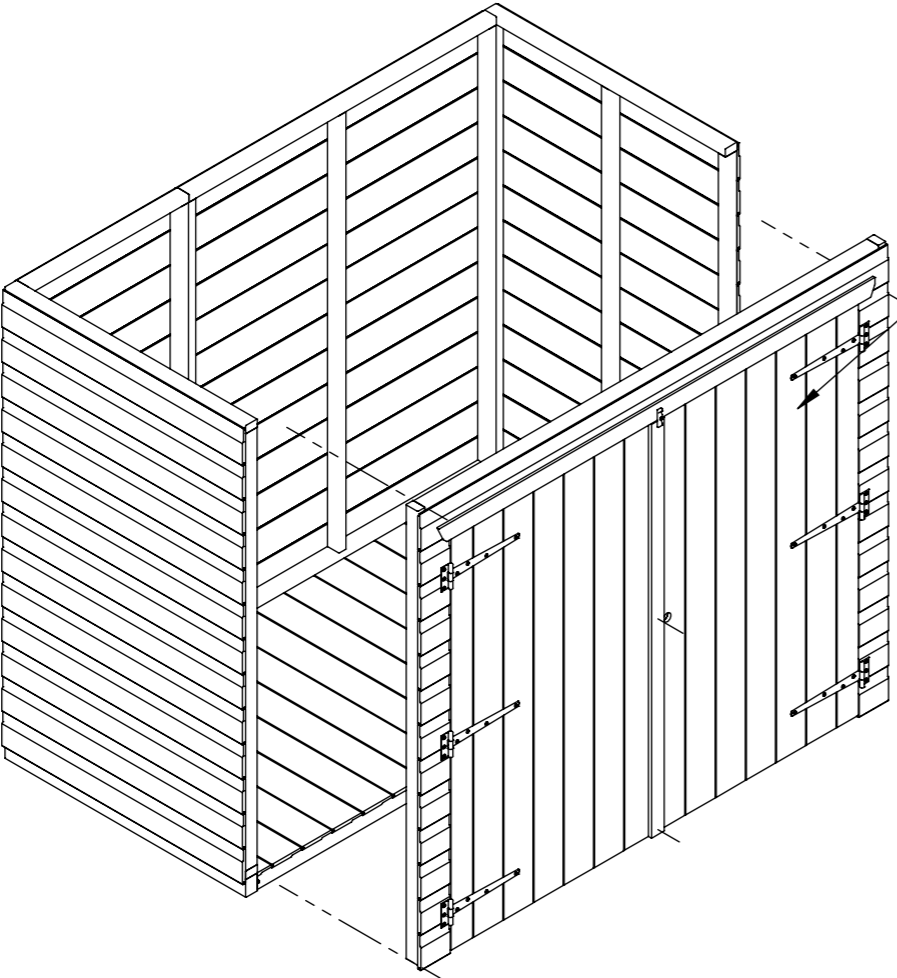


DOOR BASE DETAIL
MARK POSITION OF DROP BOLT ON
DOOR BASE AND DRILL HOLE

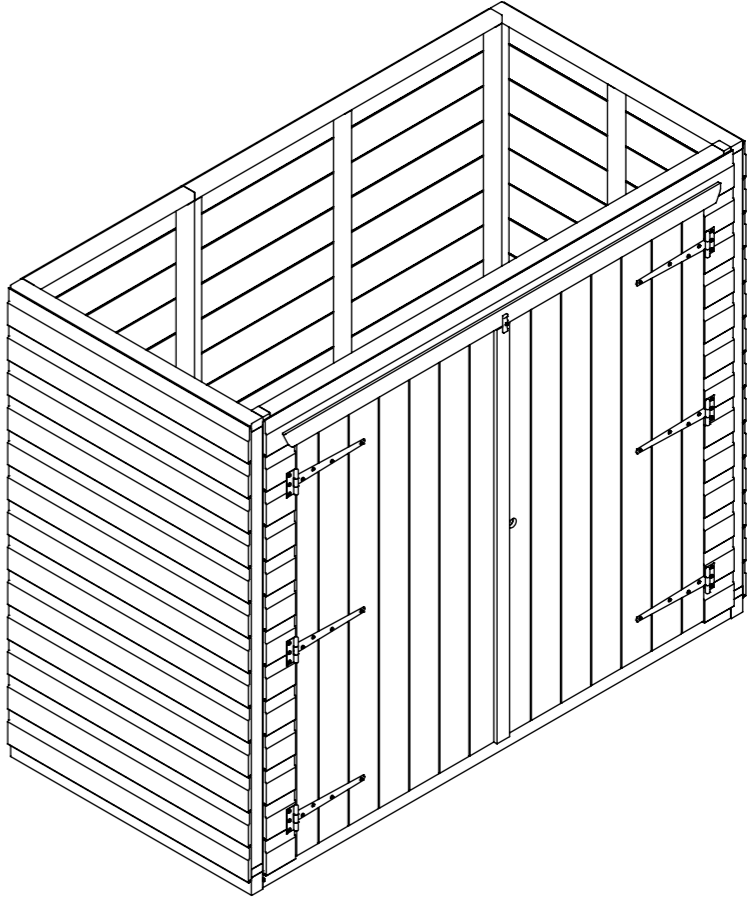
DOOR INSTALLATION.

- LAY ASSEMBLED DOOR SIDE PANEL ON A FLAT SURFACE
- PLACE DOORS INTO OPENING.
 - LEAVE APPROX 4mm GAP AT SIDE BETWEEN DOOR AND SIDE PANEL.
 - LEAVE APPROX 6mm GAP AT TOP BETWEEN DOOR AND SIDE PANEL.
- SECURE IN PLACE USING 3X 25mm BLACK SCREWS PER HINGE - 6 HINGES TOTAL.

TIGERFLEX PENT BIKE STORE - ASSEMBLY GUIDE

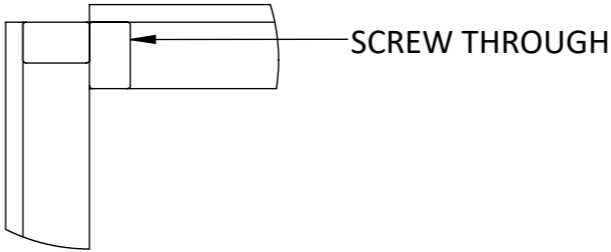


DOOR SIDE ASSEMBLY
SEE SHEET 3

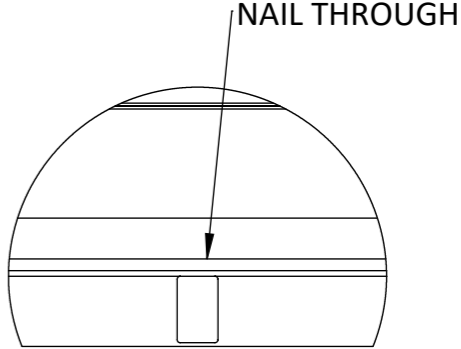


DOOR ASSEMBLY INSTALL.

- SECURE BLANK SIDES TO EACH OTHER IN CORNERS USING 2X 50mm SCREWS PER JOIN. SEE DETAIL A.
- SECURE PANELS TO FLOOR USING 65mm NAILS
 - NOTE - MAKE SURE FIXINGS GO THROUGH FLOOR JOISTS OR INTO HEAVY DUTY TIMBER - SEE DETAIL B.

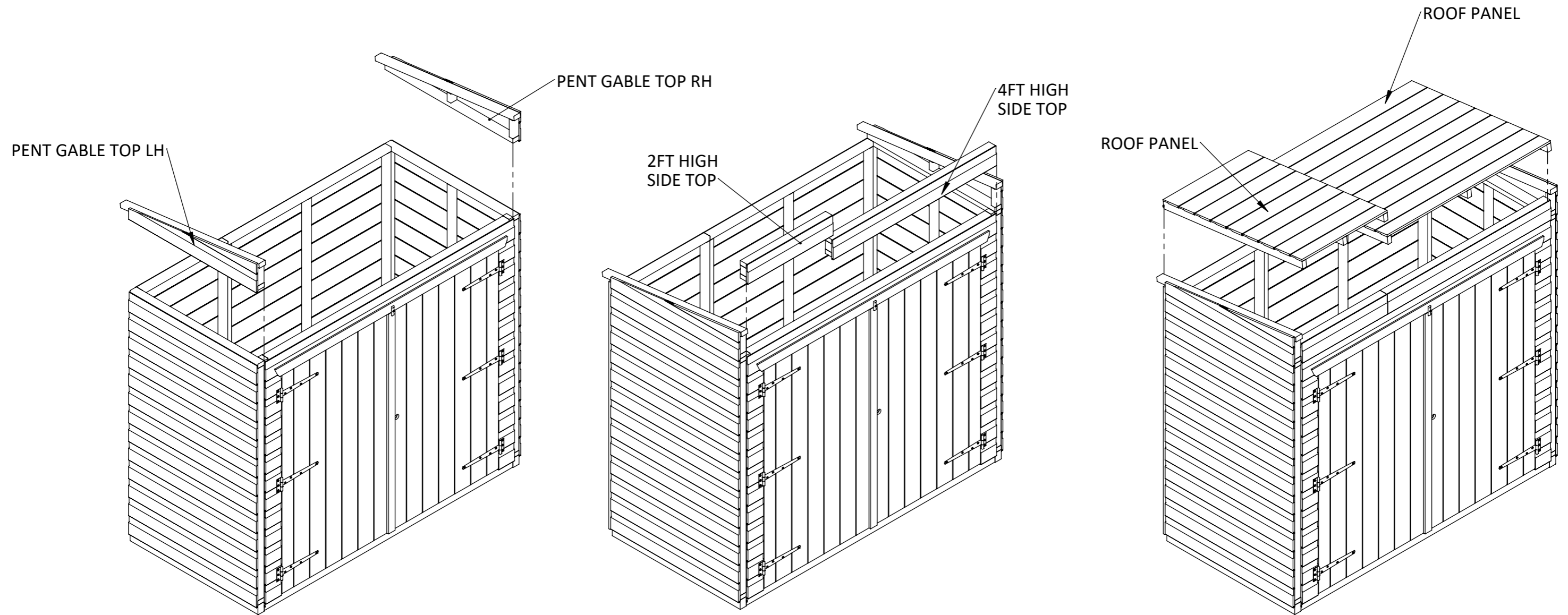


DETAIL A



DETAIL B

TIGERFLEX PENT BIKE STORE - ASSEMBLY GUIDE



FIX GABLE TOPS TO THE EXISTING BUILT STRUCTURE

- SECURE THROUGH SIDE PANELS USING 2X 50mm SCREWS PER GABLE TOP

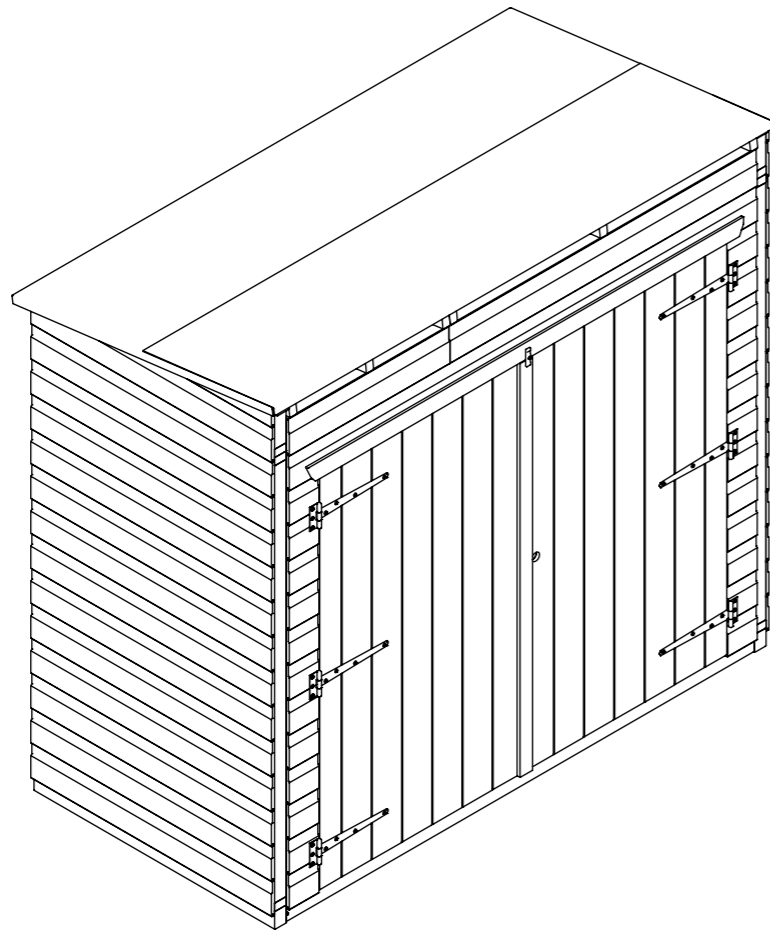
FIX HIGH SIDE TOPS TO THE EXISTING BUILT STRUCTURE

- SECURE THROUGH DOOR HEADER USING 2X 50mm SCREWS PER HIGH SIDE TOP.
- SECURE TOGETHER USING 1x 50mm SCREW
- SECURE TO GABLE TOPS USING 1x 50mm SCREW INTO EACH GABLE TOP

ATTACH ROOF PANELS AS SHOW

- SECURE TOGETHER USING 2x 50mm SCREWS.
- SECURE TO GABLE TOPS USING 2x 50mm SCREWS PER GABLE TOP.

TIGERFLEX PENT BIKE STORE - ASSEMBLY GUIDE



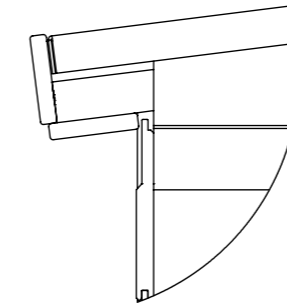
2x SOFIT BOARDS
(FRONT BARGE
BOARD TRIMMED
TO SIZE)

SIDE
BARGE BOARD

SIDE
BARGE BOARD

FRONT
BARGE BOARD

FINIAL



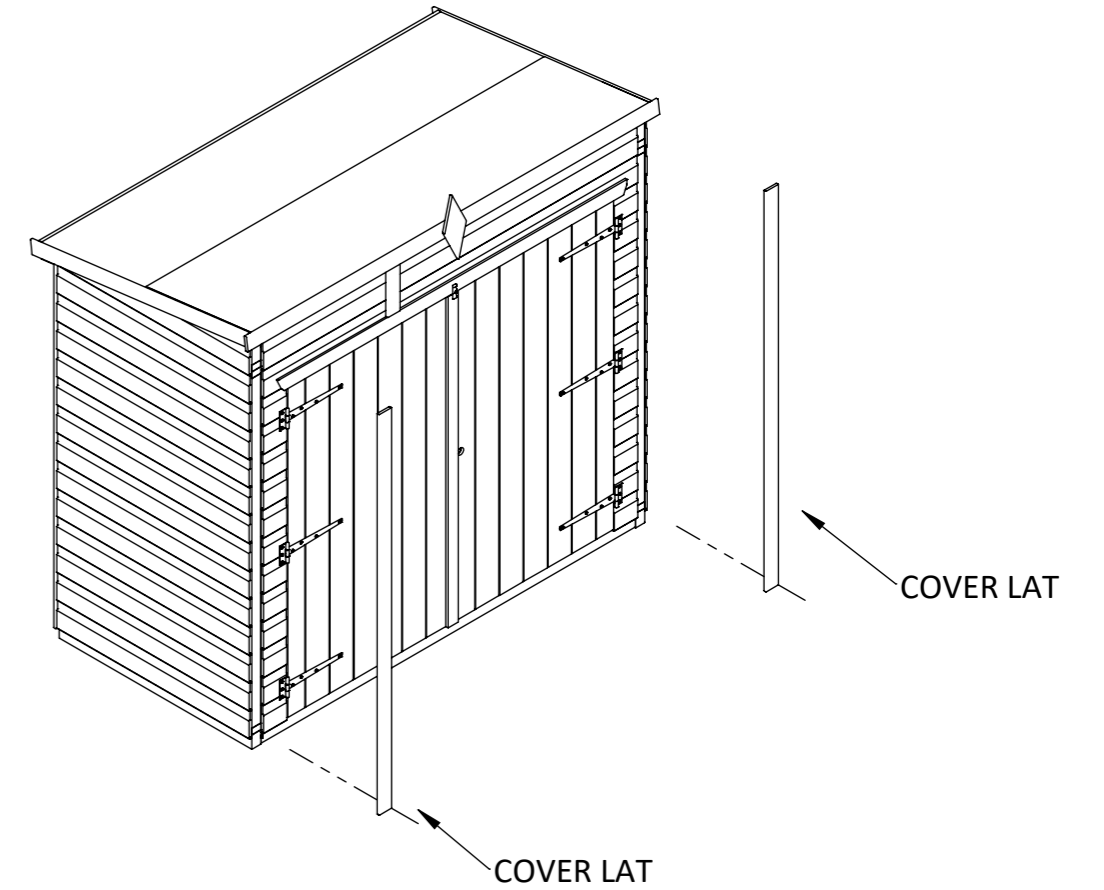
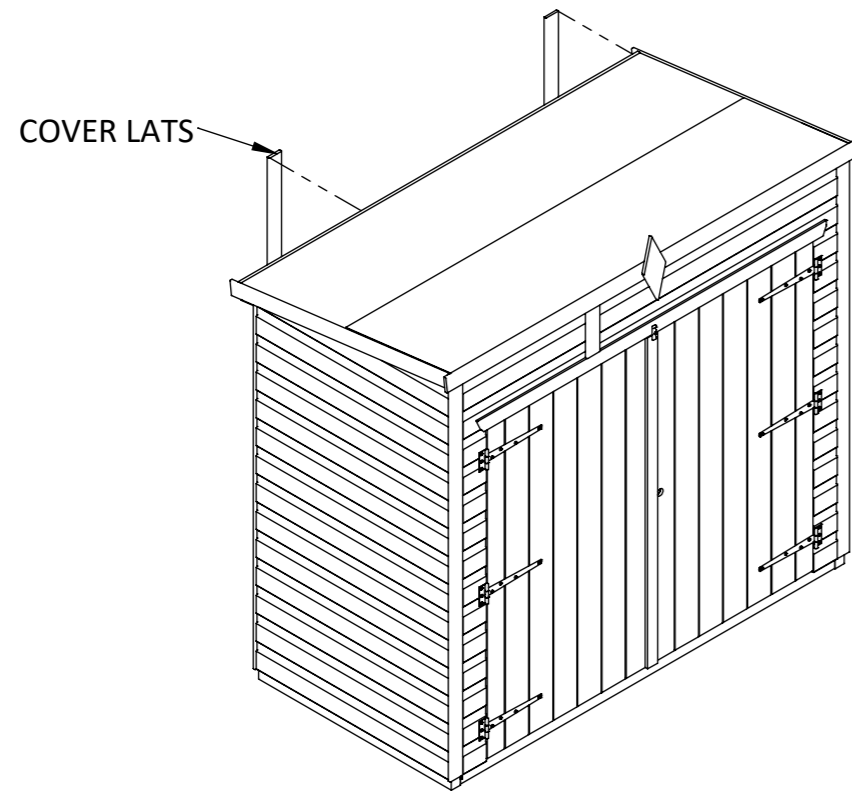
FELT THE ROOF

- ROLL OUT FELT ALONG LOWER PART OF ROOF, LEAVING SUFFICIENT OVERHANG TO FOLD DOWN ONTO ROOF PURLIN, APPROX. 75mm (3 INCHES).
 - NOT ENOUGH TO FOLD UNDERSIDE OF ROOF.
- USE CLOUT NAILS TO TACK TOP OF FELT INTO THE ROOF PANEL. REPEAT FOR OTHER SIDE.
- FOLD THE OVERHANGING FELT AT GABLE ENDS UNDER ROOF PANEL AND TACK IN PLACE.
- RIDGE PIECE SHOULD OVERLAP THE LOWER STRIPS AND TACK INTO PLACE.

BARGE BOARDS & FINIAL ASSEMBLY

- FIT BARGE BOARDS TO THE ROOF, TRAPPING OVERHANGING END OF THE FELT IN BETWEEN TO PROVIDE A WEATHERPROOF SEAL.
 - USE 2X 40mm NAILS PER SIDE BARGE BOARD.
 - USE 4X 40mm NAILS FOR FRONT BARGE BOARD.
- FIT REAR SOFIT BOARDS, THESE MAY NEED TRIMMED.
 - USE 4X 40mm NAILS PER SOFIT BOARD.
- FIT FINIAL USING 2X 40mm NAILS

TIGERFLEX PENT BIKE STORE - ASSEMBLY GUIDE



COVER LATS & CORNER STRIPS

- USE 3x 40mm NAILS TO SECURE IN PLACE - MAKE SURE JOIN IS COVERED
- COVER LATS & CORNER STRIPS WILL NEED TRIMMING TO SUIT.