

i PRODUCT INSTRUCTION

Remember that the assembly might take (0.4) hours and requires (1) people.

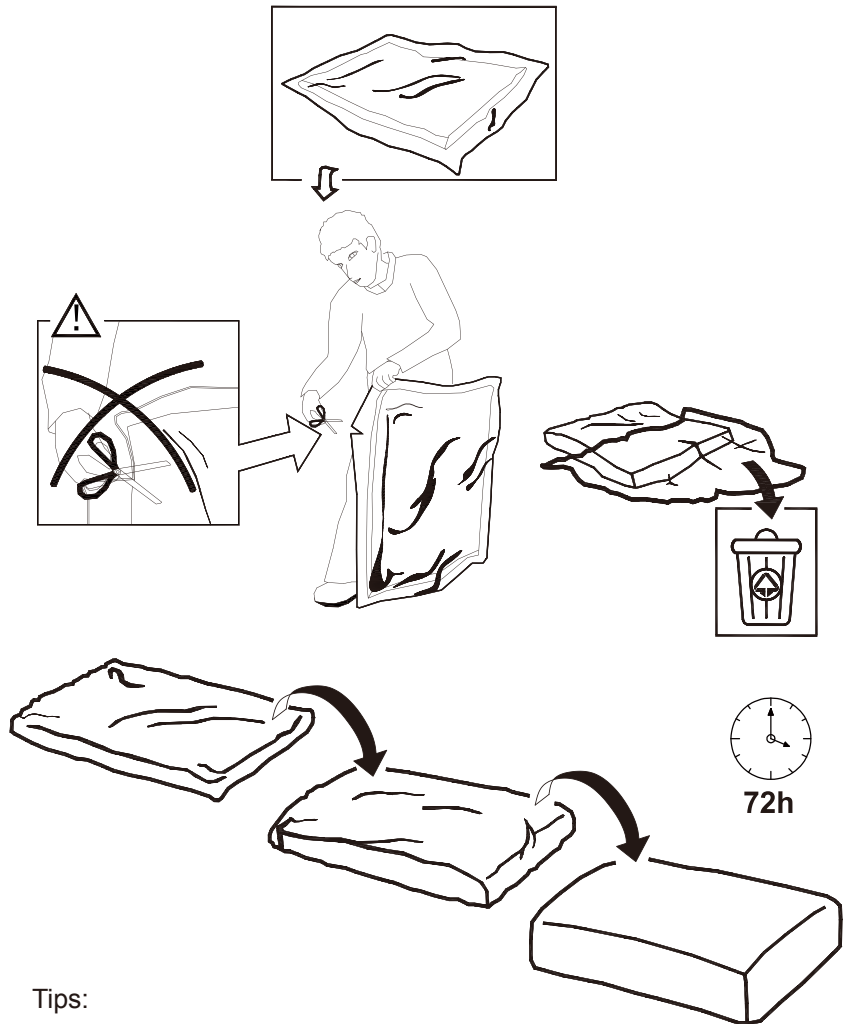
IMPORTANT

Finalize site preparation and foundation construction before unpacking. Remove all parts from the packaging and check the right count and type of pieces before assembling.

! CAUTION

- Consult local authorities to ensure you have the required permits and are aware of any applicable local building regulations.
- It's crucial to review the site preparation information in the manual beforehand to get everything ready.
- Read instructions thoroughly before starting assembly. Follow the steps carefully because the kit contains parts that might be damaged if constructed incorrectly.
- Please handle the kit with caution since some parts have sharp metal edges.
- Avoid working in severe winds or extreme cold and wear gloves, eye protection, and long sleeves during assembly or maintenance.
- When filling it, store heavier items near the bottom. The product isn't intended for children to play in, and don't stand, sit, or store anything on the roof.


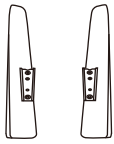
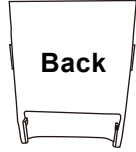
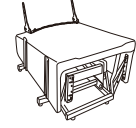
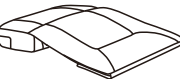


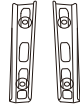

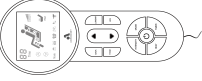





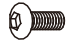

Assembly Instruction



Tips:

1. Please note that the back cushion and armrest pillow of the recliner is vacuum-packed to reduce the overall size of the package. Please open the plastic bag with caution to avoid damaging the upholstery of chair
2. It's normal phenomenon that the backrest looks a little deflated when taken out of the bag. The condition will improve in 24-72 hours. You may also expedite the recovery speed by tapping and squeezing the backrest.

Parts List

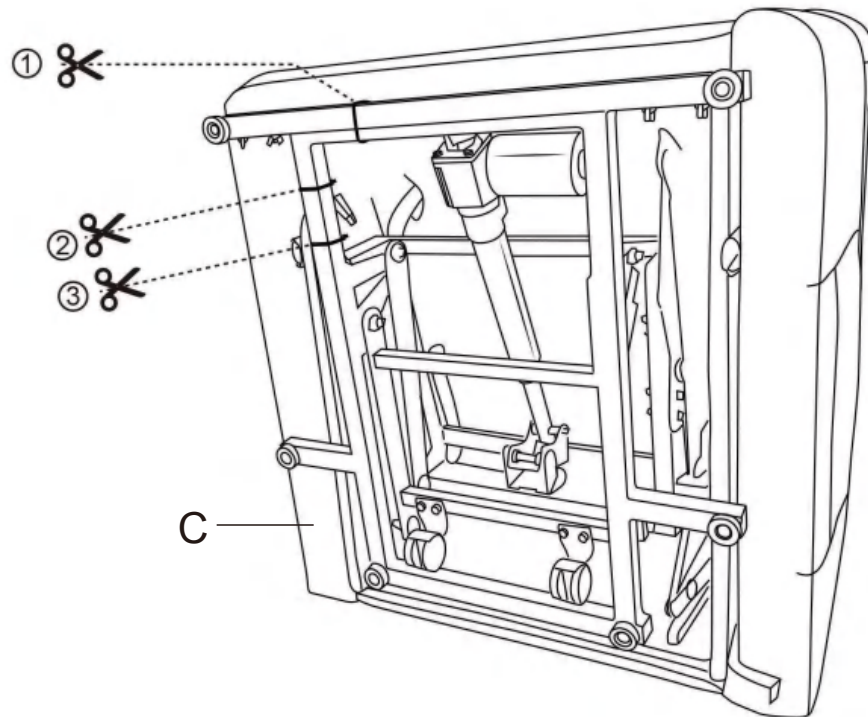
A  Chair Base 1 pc	B1  B1-L B1-R 2 pcs	B2  Back 1 pc	C  1 pc	D  1 pc
E  E-R E-L 2 pcs	F  F-R F-L 2 pcs	G  4 pcs	H  2 pcs	
I  1 pc	J  4 pcs	K  4 pcs	L  2 pcs	
M  4 pcs	N  1 pc	O  20 pcs	P  1 pc	

Just feel free to chat us if you have any problems, we will try our best to help you solve the issue.

Assembly Instruction

Step 1

Turn over the base part, you will find the power wire and remote wire being binded by three cable ties. Please cut off the #1 & #2 & #3 cable ties.

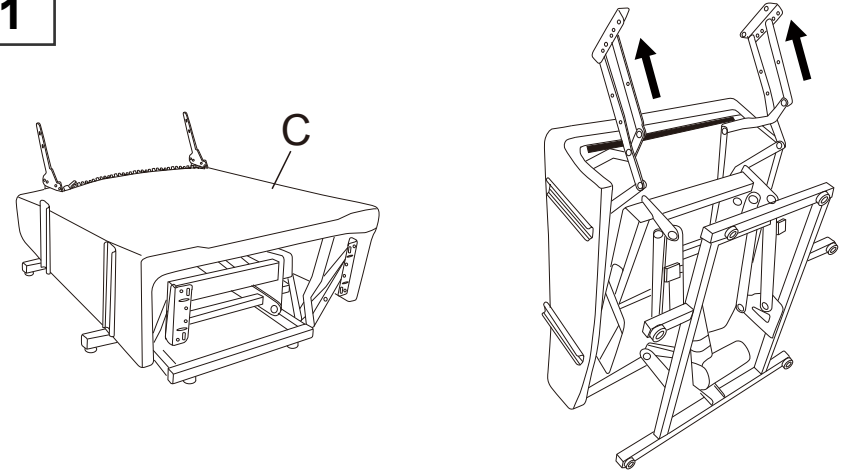


2

Assembly Instruction

Step 2

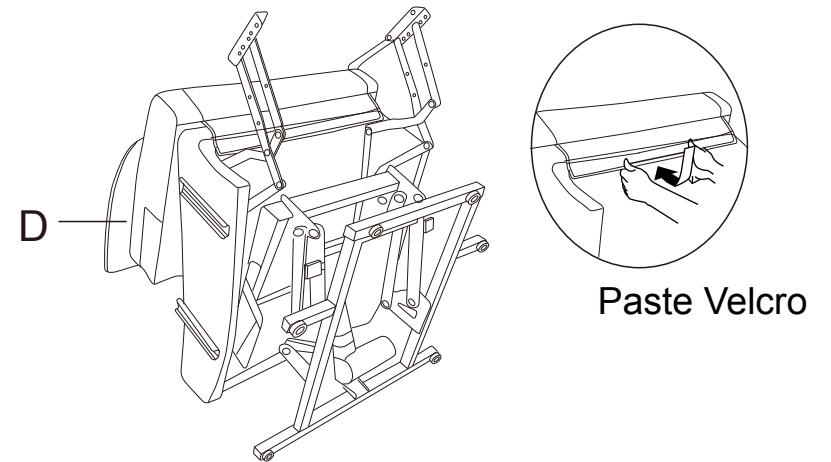
C*1



Assemble left and right armrests into the slots on the chair base.

Step 3

D*1



Noted: The cup holder is facing outward

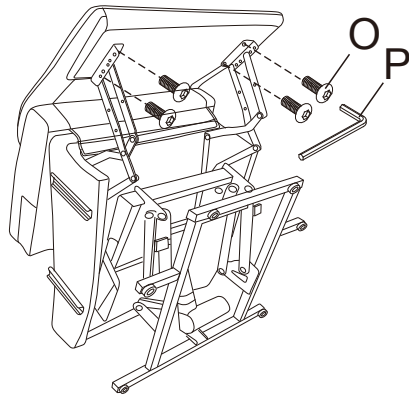
3

Assembly Instruction

Step 4

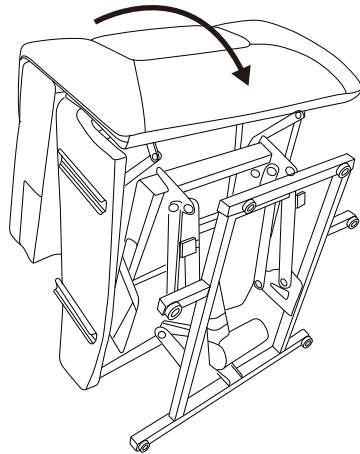
O*4

P*1



Note: If the armrest or back shakes after assembly, please knock down and assemble again, and make sure that all the slots are properly aligned.

Step 5



Attach brackets to the base with wing nuts.

4

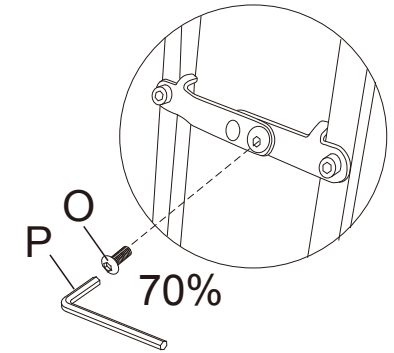
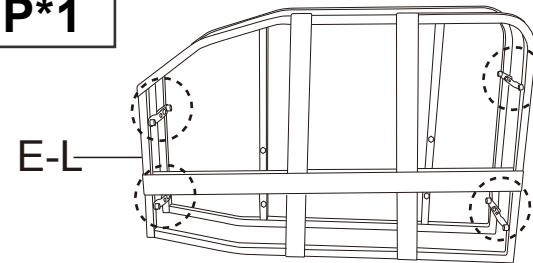
Assembly Instruction

Step 6

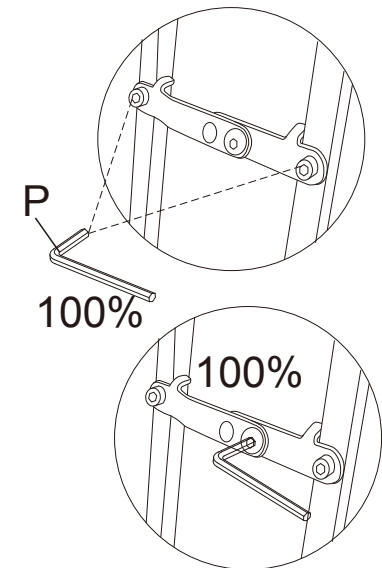
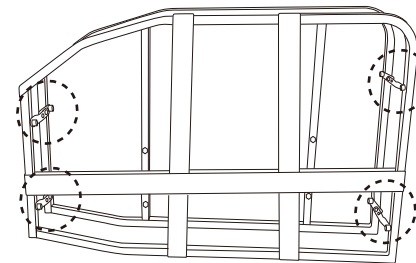
E*1

O*4

P*1



Step 7



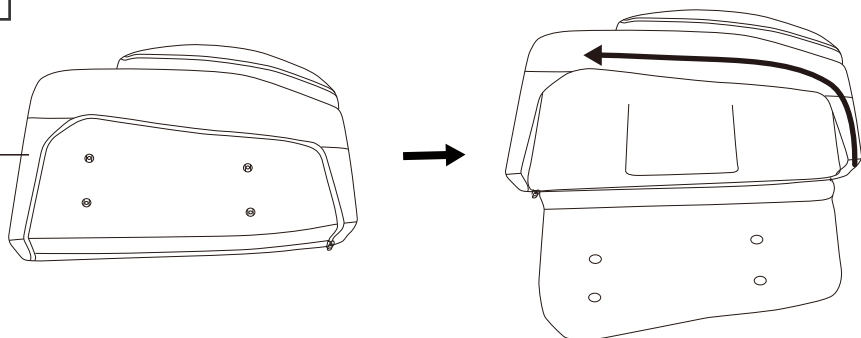
5

Assembly Instruction

Step 8

F*1

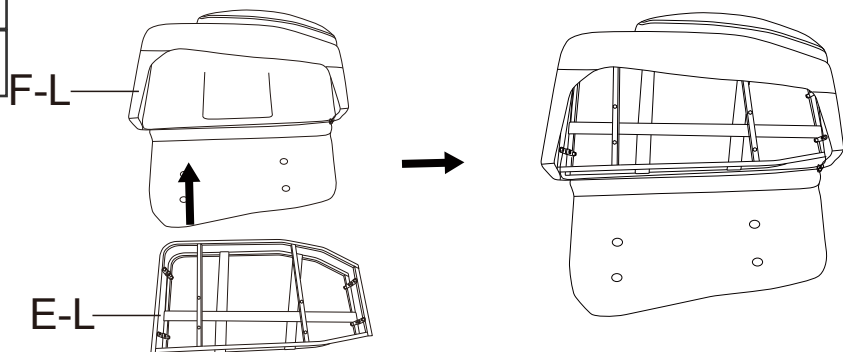
F-L



Step 9

E*1

F*1



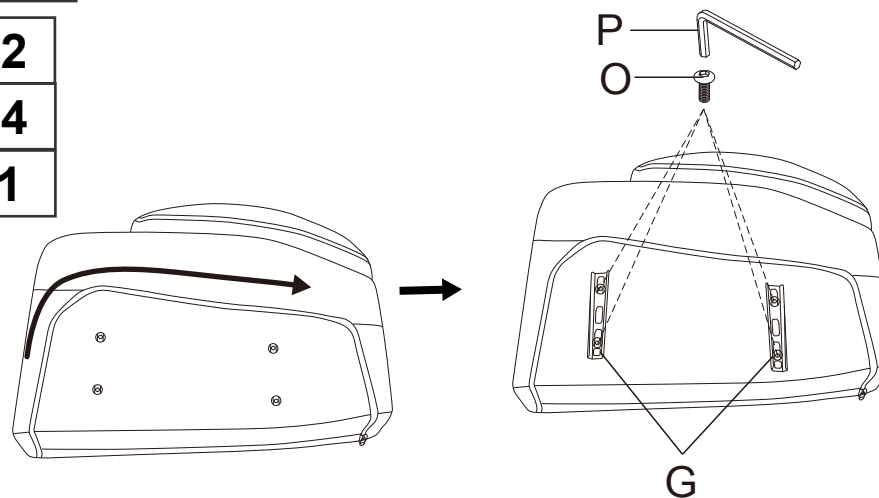
Assembly Instruction

Step 10

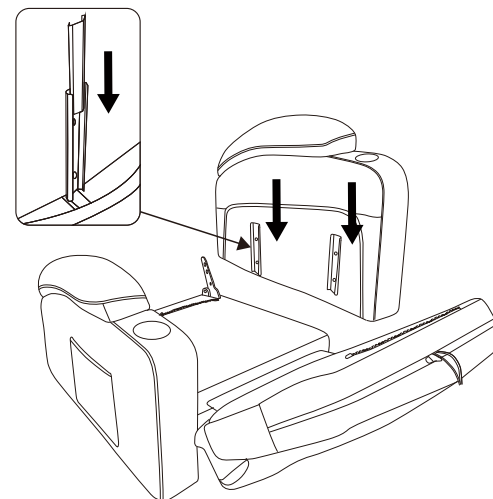
G*2

O*4

P*1

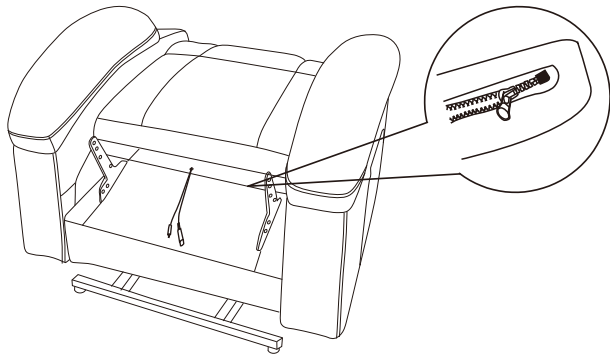


Step 11



Assembly Instruction

Step 12

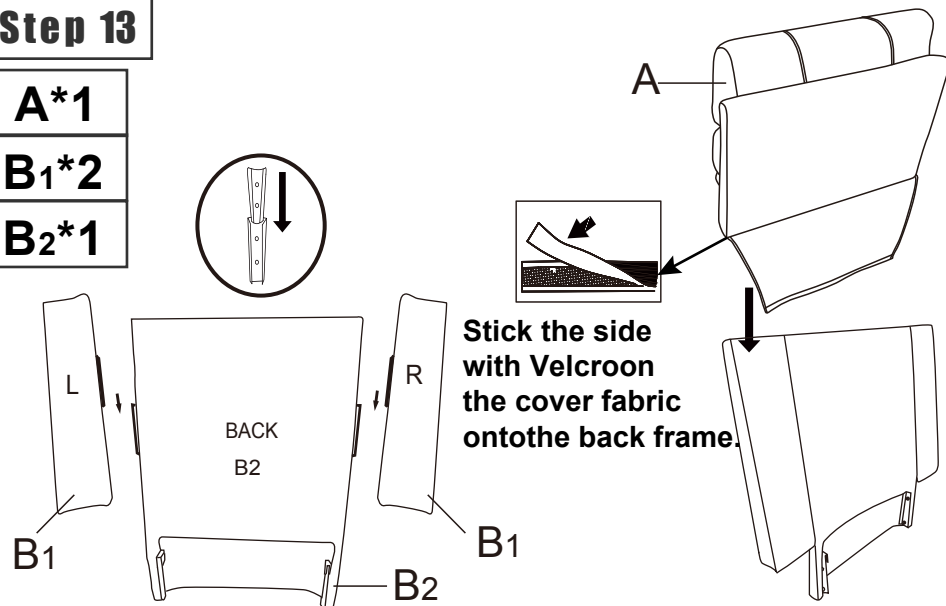


Step 13

A*1

B1*2

B2*1

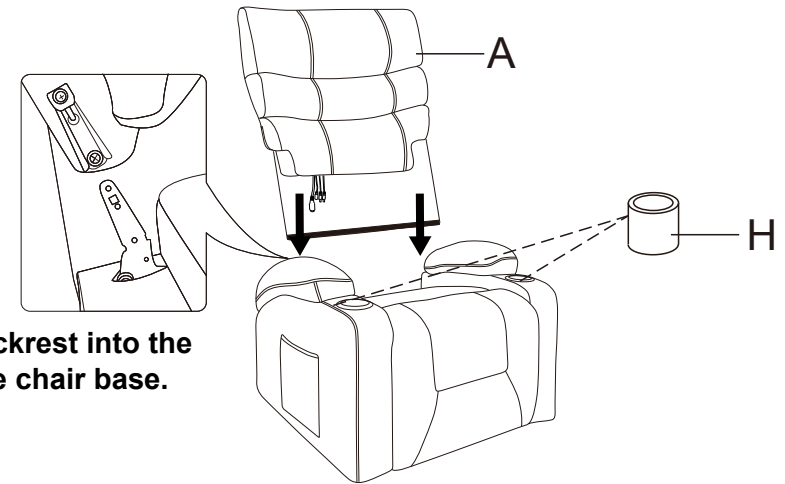


8

Assembly Instruction

Step 14

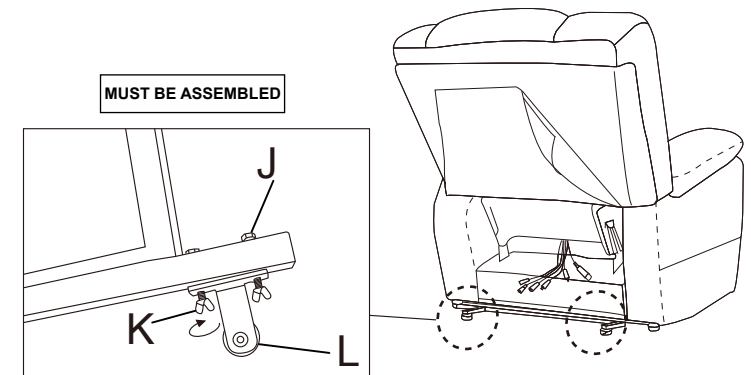
H*2



Assemble backrest into the slots on the chair base.

Attach both backrest ears B(R&L) to the back cushion H by aligning and sliding the metal grooves as well

Step 15

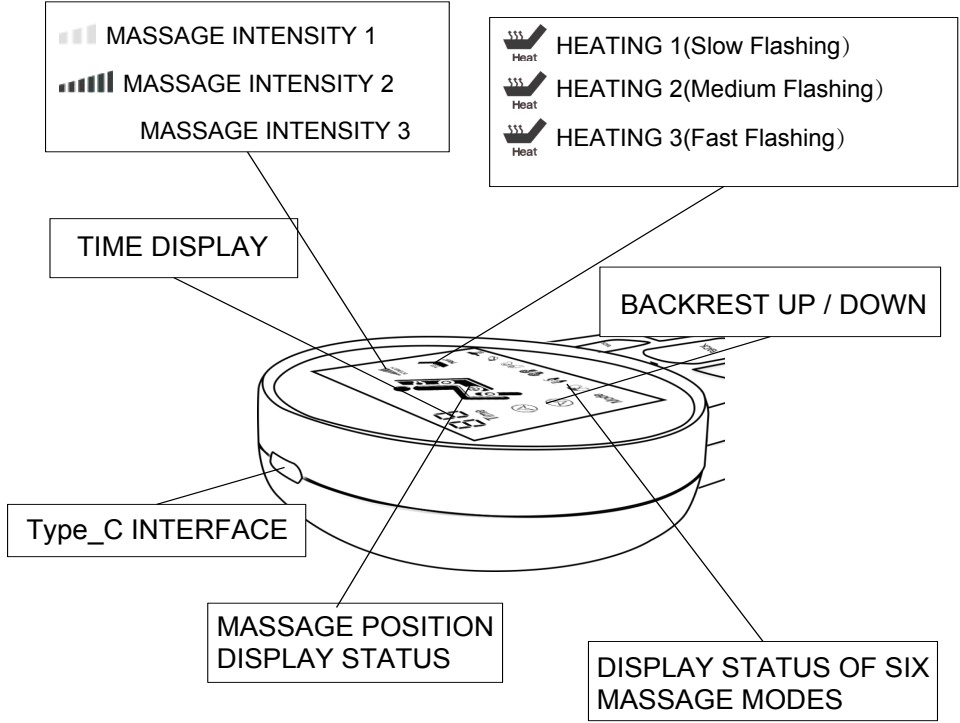


Connect L with screws J and nuts K, tighten screws

9

Assembly Instruction

DESCRIPTION OF SCREEN DISPLAY



*FAST CHARGING PROTOCOL:
SUPPORT PPS/PD/QC/AFC/FCP/SCP/PE/SFCP

Warning

Do not sit on or press armrest

The illustration shows a person sitting on the armrest of a chair. A large red 'X' is placed over the armrest to indicate that sitting on or pressing it is prohibited.

Do not press backrest after recline

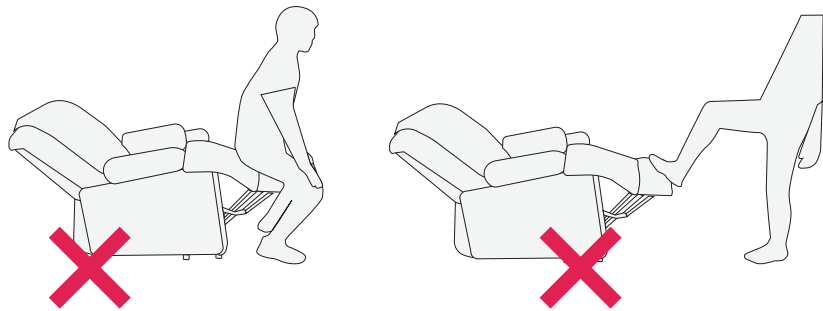
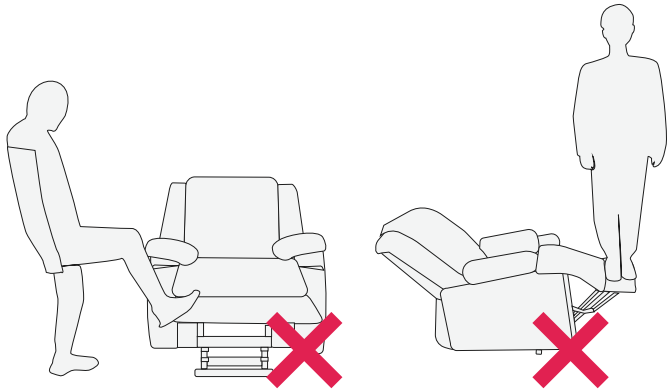
The illustration shows a person leaning over a chair that is reclined. The person is pressing down on the backrest. A large red 'X' is placed over the backrest to indicate that pressing it is prohibited.

Do not sit on or press armrest

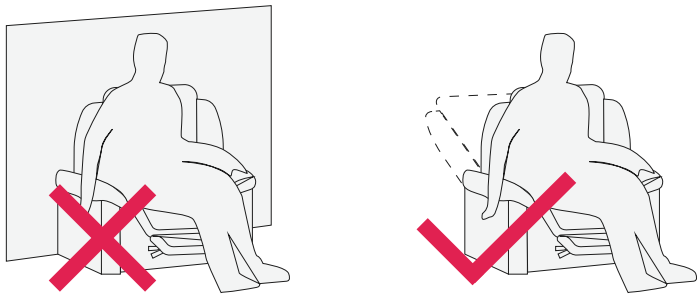
The illustration shows a person sitting on the armrest of a chair that is reclined. A large red 'X' is placed over the armrest to indicate that sitting on or pressing it is prohibited.

Warning

Do not sit/kick/stand on the footrest after lift up

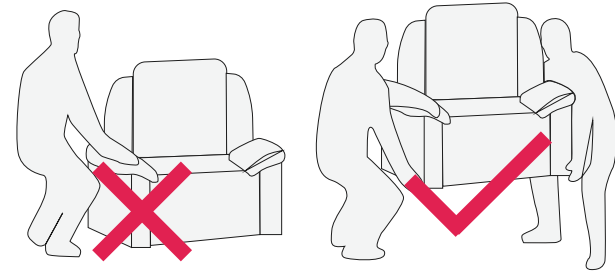


Leave enough space between chair back and wall before recline

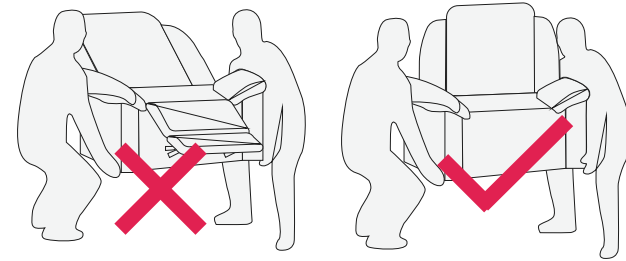


Warning

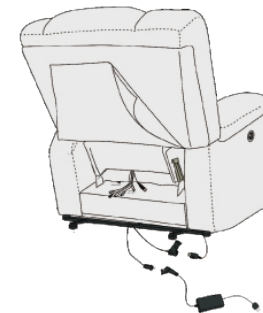
2-Person lift



Do not move chair when it's reclining



Unplug all power source from socket, then unplug all wires connection before move chair



Answers & Questions

FAQ

1.Q: Missing parts.

A: Please check all necessary parts if you have already received one boxes. If not, kindly send messages to let us know missing part name regarding to this instruction, we will send the replacement to you asap.

2.Q: Some parts damaged when arrived.

A: Please send damaged parts photos to us as message attachment, we will check and offer good solution soon.

3.Q:The lift and reclining function does not work, e.g.The chair is stuck on lifting or reclining position, and there is no response when you press the lifting or reclining button.

A: Please help to unplug and plug all the wires as per Step 5&6, when all the wires are connected well, first, please check if the indicator light on power source(E) is ON or NOT, if the light on power source does not turn on, the power source is defective. If the light on power source is ON but the control panel at left arm has no blue light, that's the problem with the control panel. When the power source and control panel both have light, that's the problem of the lift motor. When you have this problem, please don't worry, you just need to contact us thru Amazon message and describe the problem, then we will send the needed replacement to you immediately.

Answers & Questions

FAQ

4.Q: The vibration massage functions are not working.

A: Please check if all wires at the back of recliner chair are connected correctly. The power cord also be plugged into the wall outlet. Then please check the lights on when you press "POWER" button on the remote. If not, the remote is defective and you can contact us for new one to replace.

5.Q: The heat function doesn't work or can't feel.

A: Please check all wires connection as same as question 4 first. If the remote also works well, you will need wait for 5-10 mins after you press the "HEAT" button. The heating function only works at lumbar position and the heat temperature isn't very hot.