



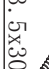





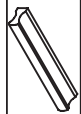










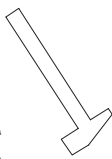

Assembly Instruction

WENYX

FTBF CB-6013
 FTBF CB-6014
 FTBF CB-6075
 FTBF CB-6076
 FTBF CB-6077

- Notice:
1. Follow the installation instructions. Please confirm all accessories are preset before installation.
 2. Do not fully tighten screws during initial assembly. Gently adjust the board to make them level. Only tighten after all pieces are correctly assembled.
 3. If you encounter any problems during installation, please contact our customer service.

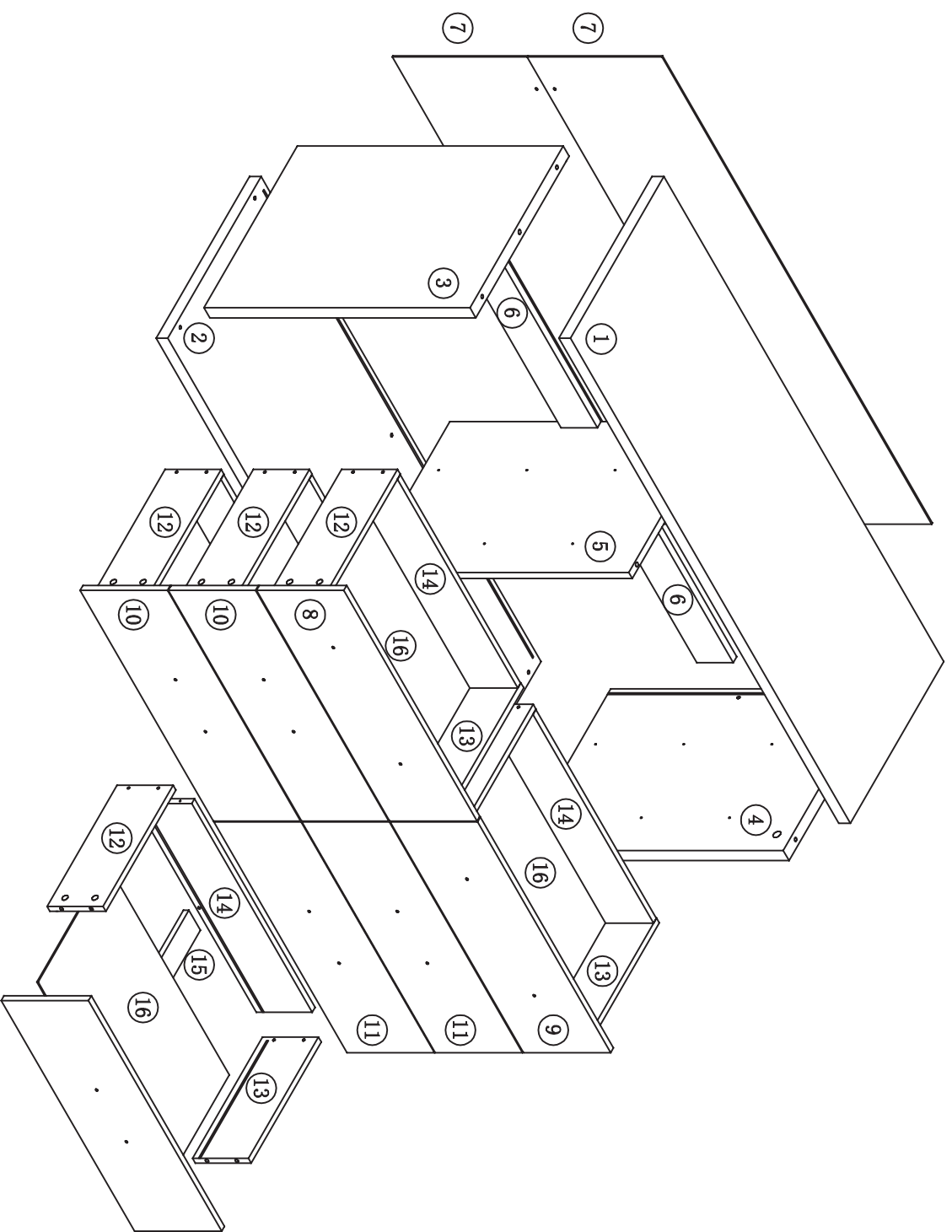
NO.	QTY.	LINEDRAWING
(A)	x12+2	
(B)	x12+2	
(C)	x3	 8x40
(D)	x6	 5x50
(E)	x24+3	 3.5x30
(F)	x68+7	 3.5x14
(G)	x2	 3.5x35  3.5x14
(H)	x6	
(I)	x4	
(J)	x4	
(K)	x12	
(L)	x4	
(M)	x1	
(N)	x20+2	 4x14
(O)	x36+4	
(P)	x36+4	
(Q)	x2	
(R)	x2	 3.5x16

 
 Hammer and Screwdriver
 are not included !!

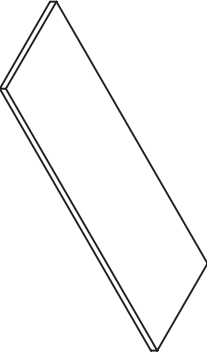
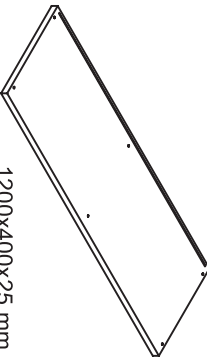
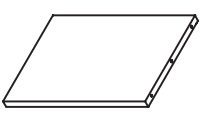
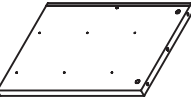
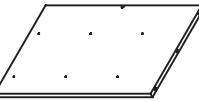
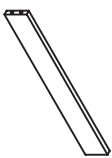
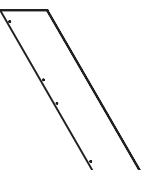
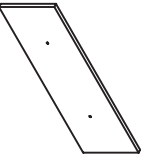
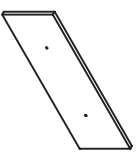
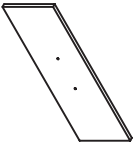
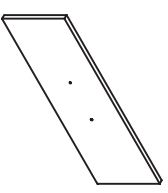
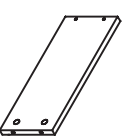
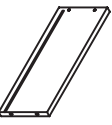
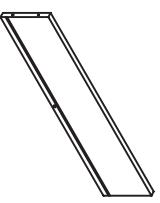
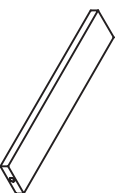
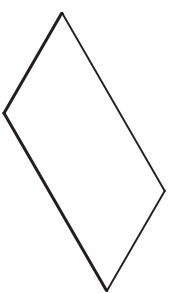


1 OF 9

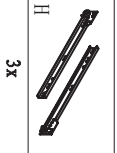
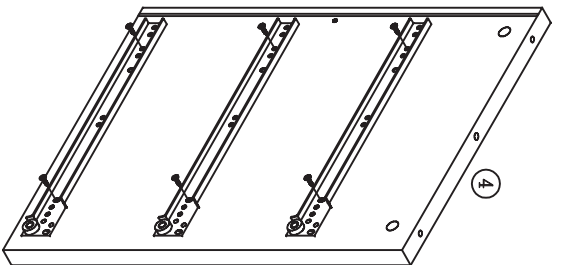
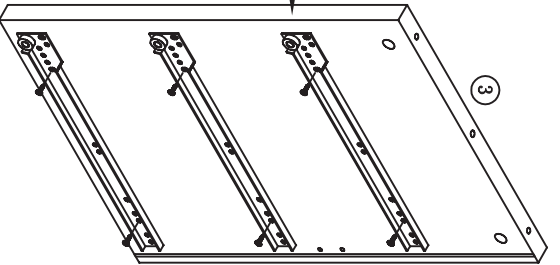
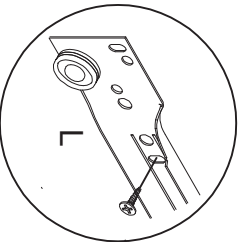
PARTS LIST



NO.	QTY.
①	1
②	1
③	1
④	1
⑤	1
⑥	2
⑦	2
⑧	1
⑨	1
⑩	2
⑪	2
⑫	6
⑬	6
⑭	6
⑮	6
⑯	6

<p>Part 1 1pcs</p>  <p>1200x400x25 mm</p>	<p>Part 2 1pcs</p>  <p>1200x400x25 mm</p>	<p>Part 3 1pcs</p>  <p>570x400x25 mm</p>	<p>Part 4 1pcs</p>  <p>570x400x25 mm</p>	<p>Part 5 1pcs</p>  <p>570x373x15 mm</p>
<p>Part 6 2pcs</p>  <p>566x78x15 mm</p>	<p>Part 7 2pcs</p>  <p>1156x289x3 mm</p>	<p>Part 8 1pcs</p>  <p>571x187x12 mm</p>	<p>Part 9 1pcs</p>  <p>571x187x12 mm</p>	<p>Part 10 2pcs</p>  <p>571x187x12 mm</p>
<p>Part 11 2pcs</p>  <p>571x187x12 mm</p>	<p>Part 12 3pcs</p>  <p>300x120x12 mm</p>	<p>Part 13 3pcs</p>  <p>300x120x12 mm</p>	<p>Part 14 6pcs</p>  <p>516x120x12 mm</p>	<p>Part 15 6pcs</p>  <p>287x50x12 mm</p>
<p>Part 16 6pcs</p>  <p>524x295x3 mm</p>				

1

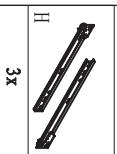
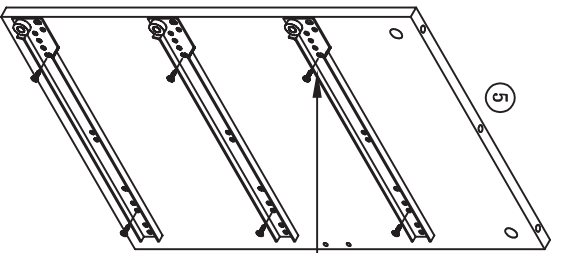
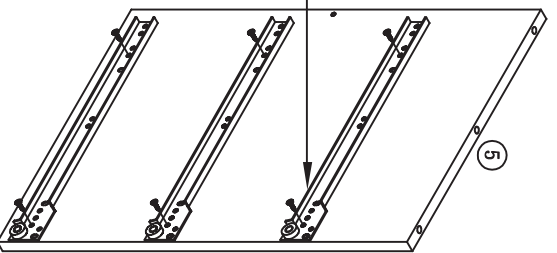
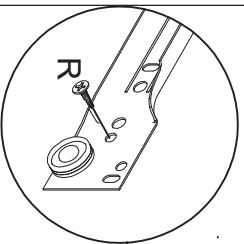


3x



12x

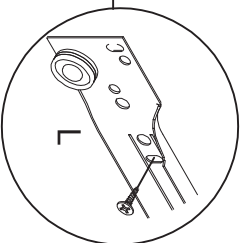
2



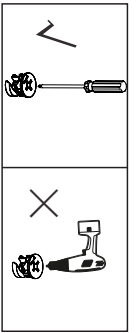
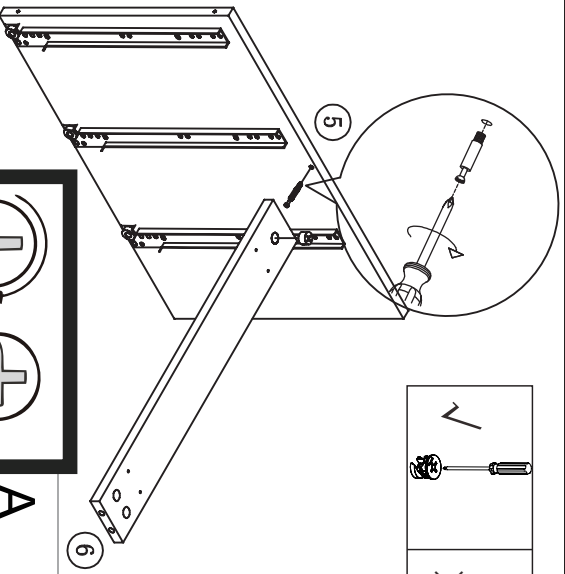
3x



12x

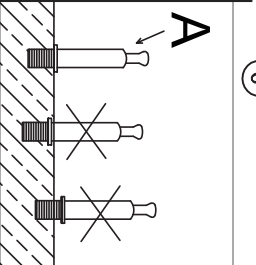
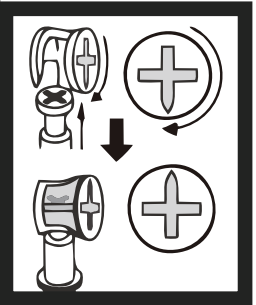


3

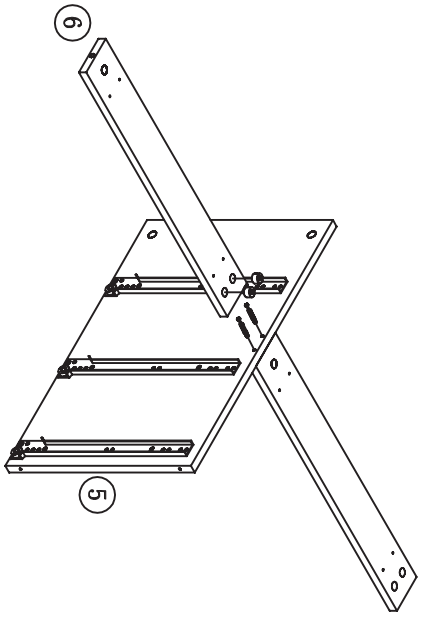


1x

1x



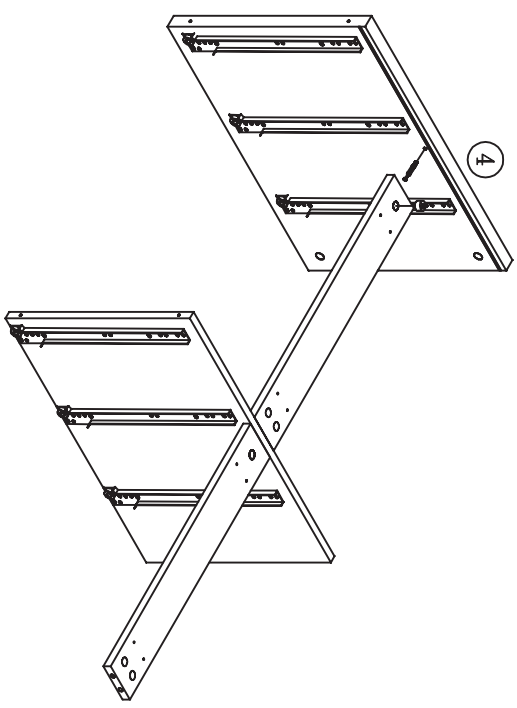
4



2x

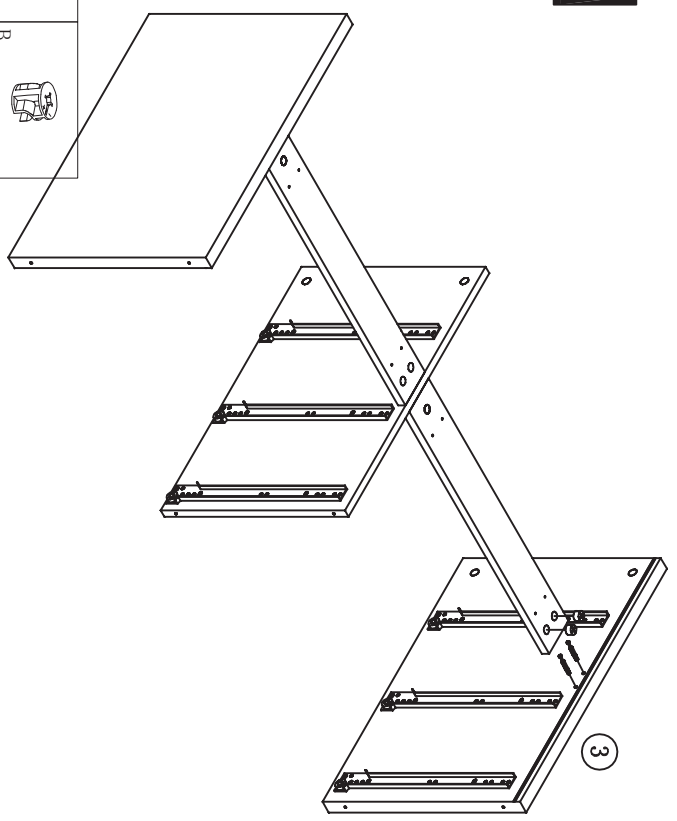
2x

5



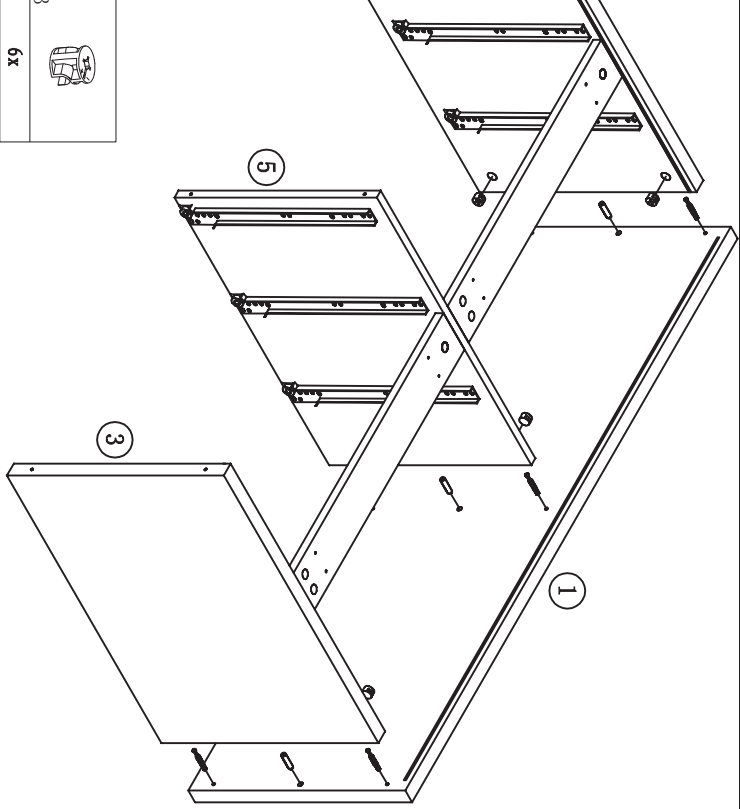
A	1x	
B	1x	

6



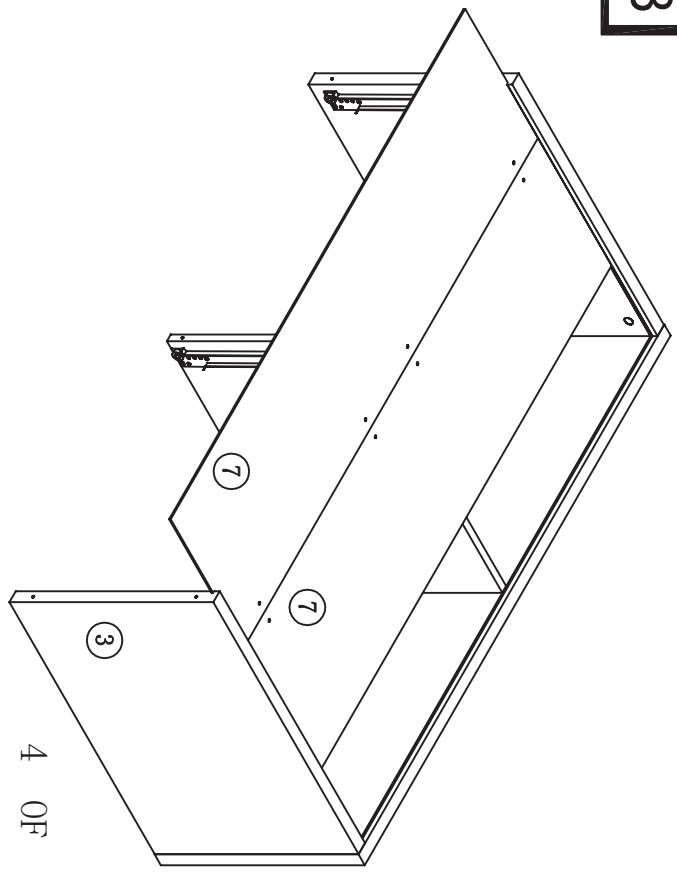
A	2x	
B	2x	

7



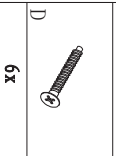
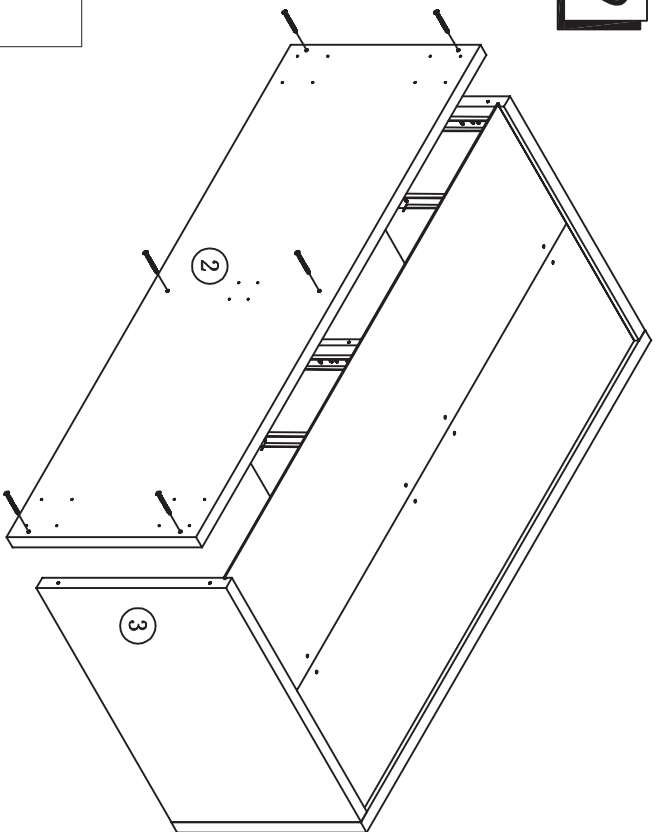
A	6x	
B	6x	
C	3x	

8

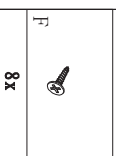
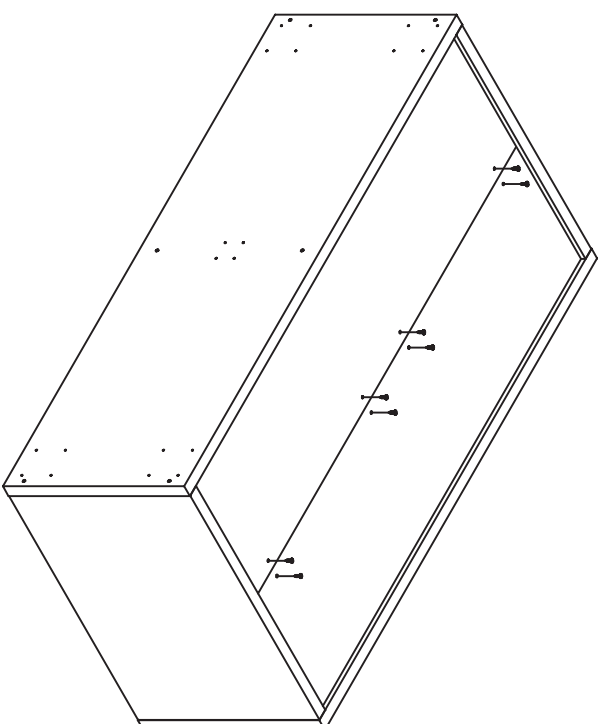


4 OF 9

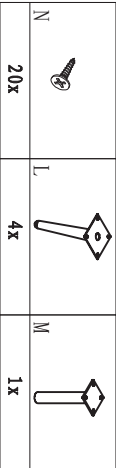
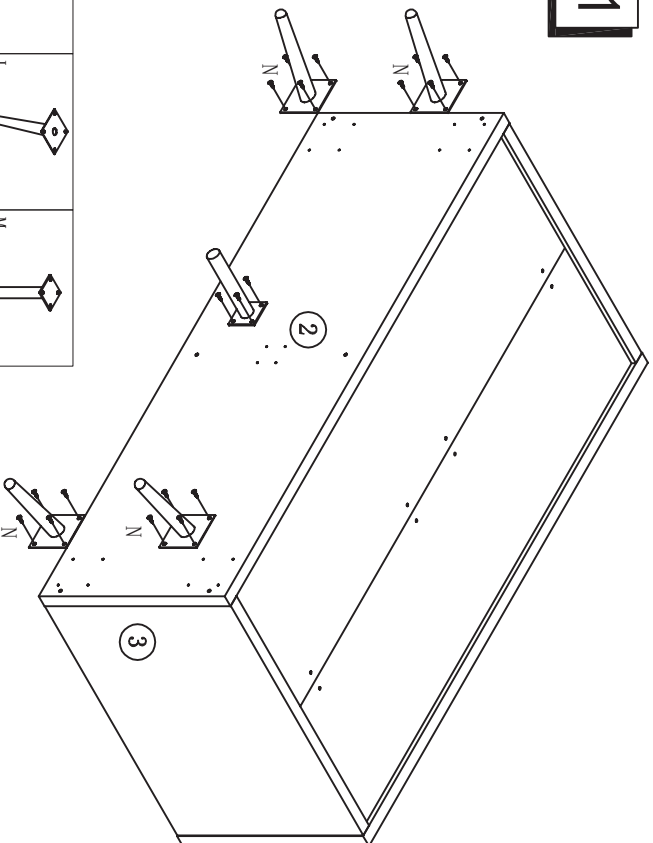
9



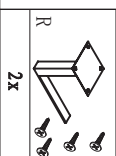
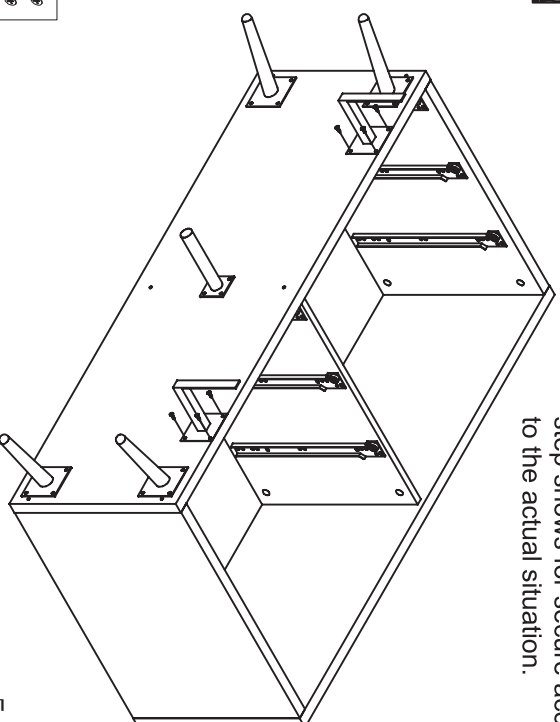
10



11



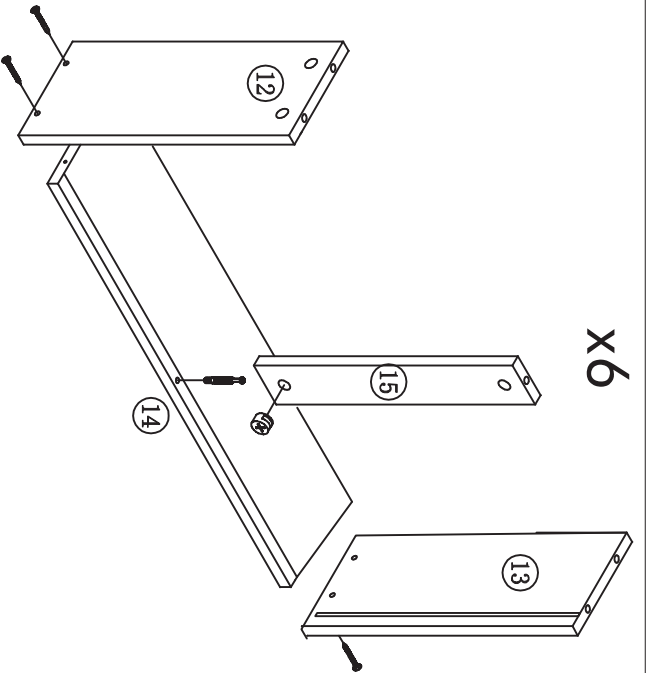
12



Please assemble the Part R as the step shows for secure according to the actual situation.

13

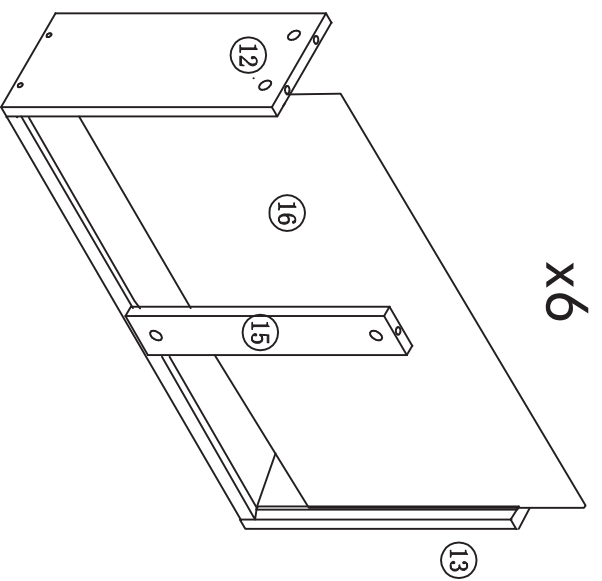
x6



0	5x	
E	24x	
P	6x	

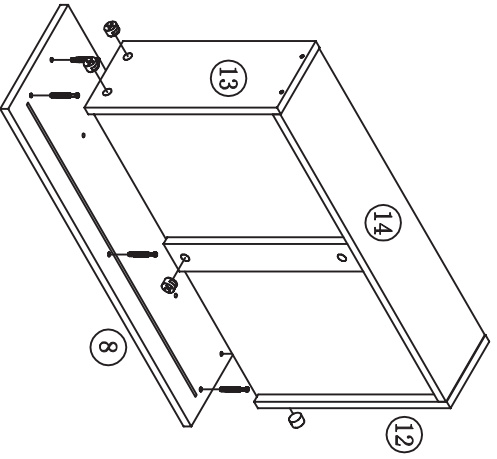
14

x6



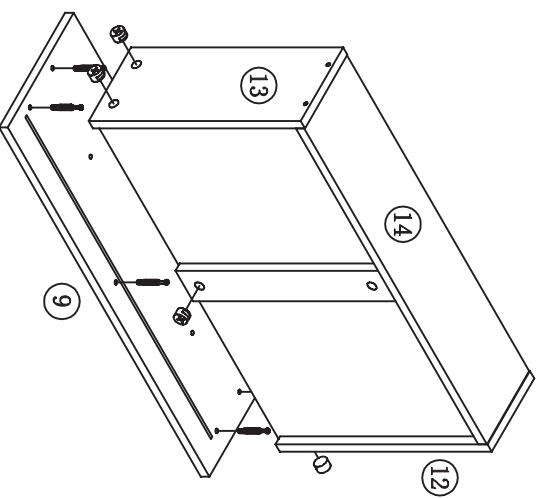
0	5x	
P	5x	

14



0	5x	
P	5x	

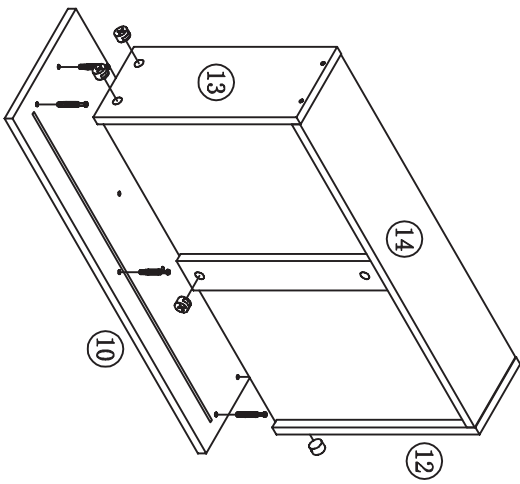
15



0	5x	
P	5x	

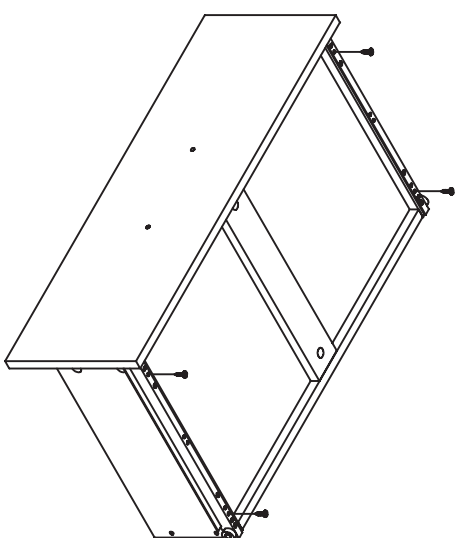
16

x2



0	P
10x	10x

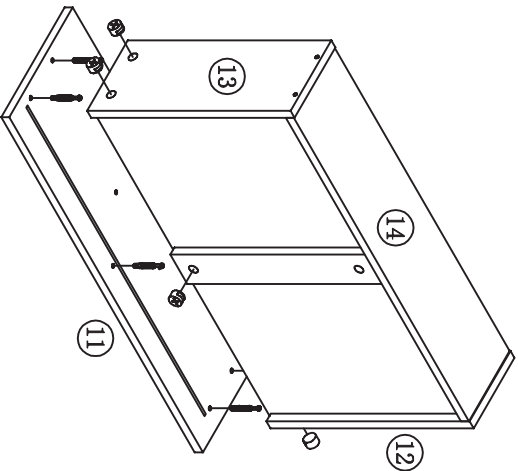
18



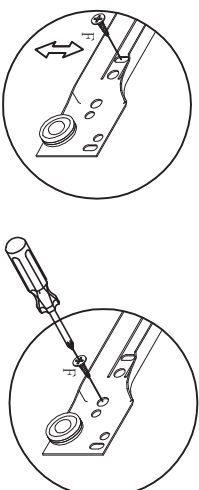
H	F
6x	24x

17

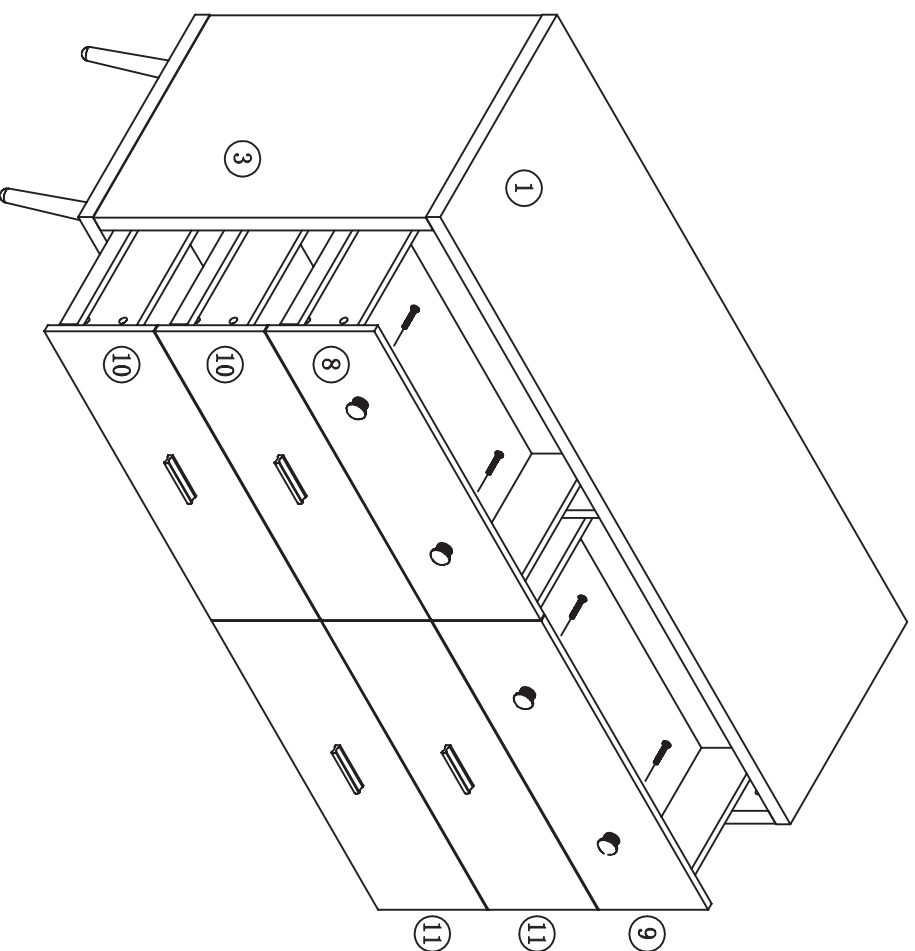
x2



0	P
10x	10x

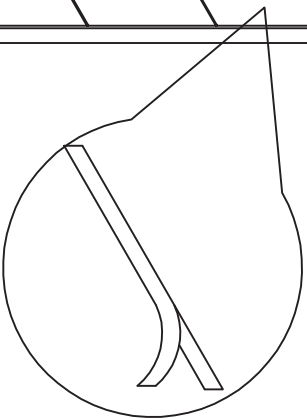
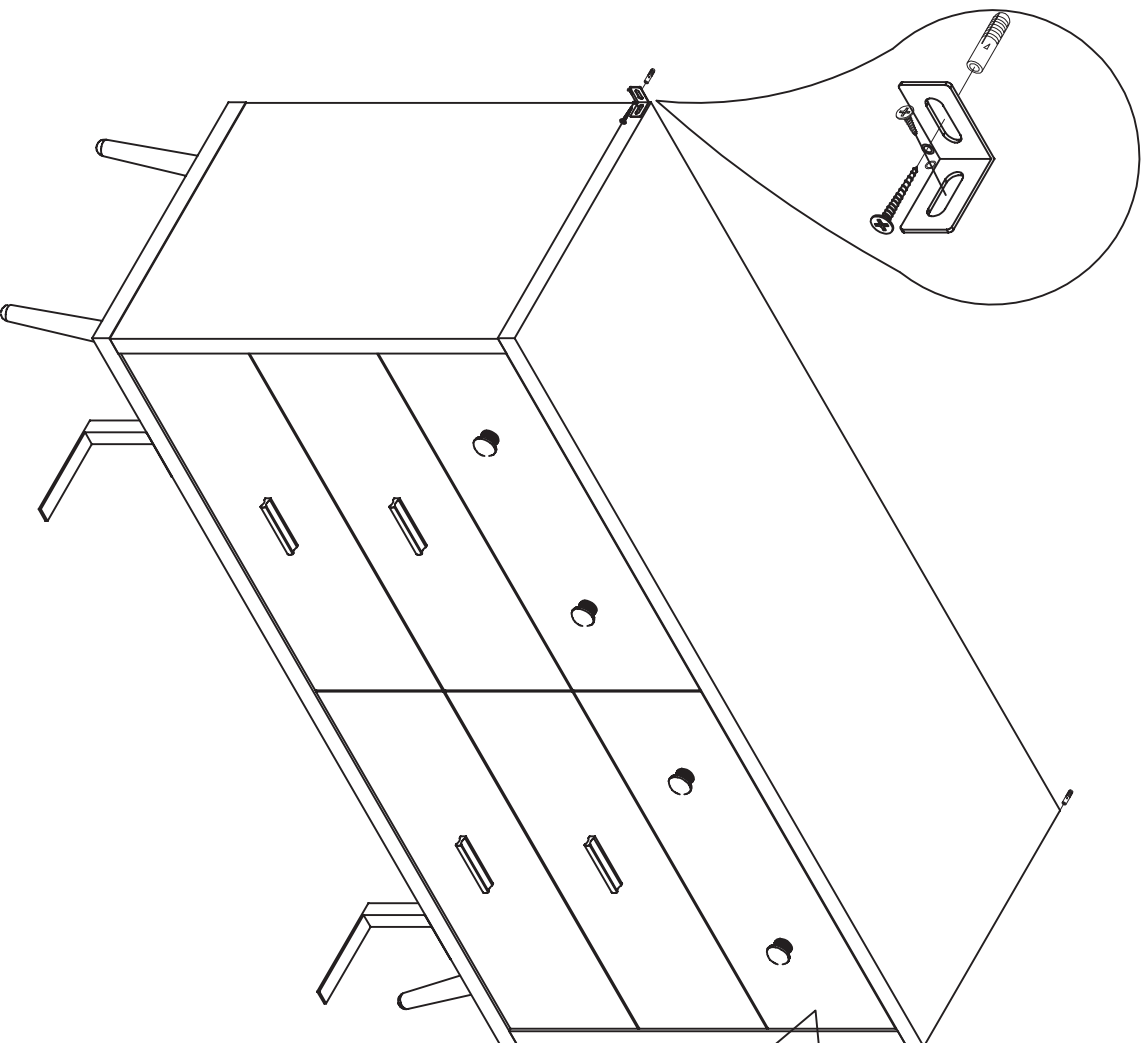


Adjust the oval hole up and down to make the drawer in a suitable location, and then you can fix extra screw to make the rails more stable



I		J	
4x		4x	
F		K	
12x		12x	

please fix the G part
as the step shows for secure



Please stick the metal belt
on the drawer front panel

<p>G 2x</p>	<p>Q 2x</p>
-----------------	-----------------