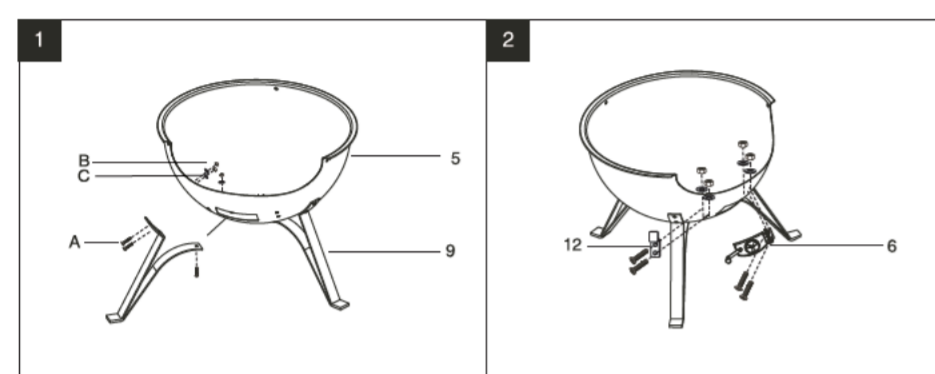


## PARTS LIST

1	x1	5	x1	9	x3	13	x3
Lid		Bottom Bowl		Legs		Brackets	
2	x1	6	x1	10	x1	14	x1
Top Flue		Air Vent		Log Grate		Poker	
3	x1	7	x1	11	x1	15	x1
Bottom Flue		Mesh Door		Door Bracket		Cover	
4	x1	8	x2	12	x1	A	x27
Top Bowl		Ring Handles		Air Vent Bracket		Bolts	M6X16
						B	x27
						Nuts	M6
						C	x27
						Washers	M6

Prior to assembly, read the instructions carefully. Check all parts against this parts list. Carry out assembly on a soft surface to avoid scratching the paint. Please retain this information for future reference.

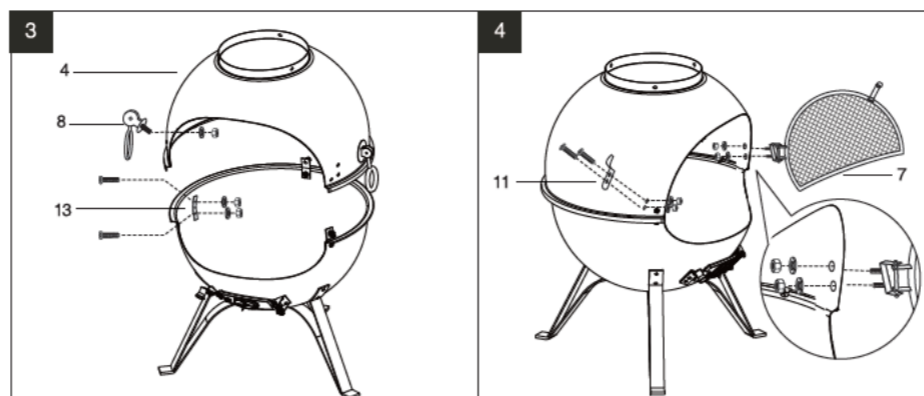
## ASSEMBLY DIAGRAMS



STEP 1 - Attach legs (9) to bottom bowl (5) using 3 x bolts, nuts and washers per leg (A,B & C).

STEP 2 - Attach air vent bracket (12) to left side of bottom bowl (5) vent opening using 2 x bolts, nuts and washers (A,B & C). Attach air vent (6) to right side of bottom bowl (5) using 2 x bolts, nuts and washers (A,B & C).

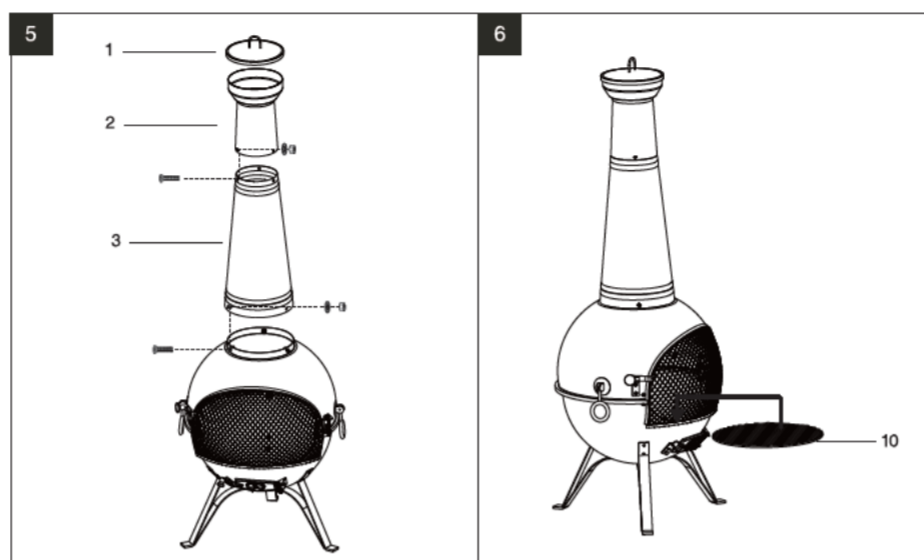
- 3 -



STEP 3 - Attach top bowl (4) to bottom bowl (5) with 3 x bracket (13) using 2 x bolts, nuts and washers (A,B & C) per bracket. Attach ring handles (8) to each side of top bowl (4) using 1 x pre-attached bolt, nut and washer per ring handle.

STEP 4 - Attach door bracket (11) to left side of top bowl (4) opening using 2 x bolts, nuts and washers (A,B & C). Attach mesh door (7) to right side of top bowl (4) using pre-attached 2 x bolts, nuts and washers.

P.S: When installing the fireproof net, install the fireproof net at an accurate position first, and then tighten the screws on the right side. If the installation position of the fireproof net is inaccurate, you can adjust it by unscrewing the screws on the right side again.

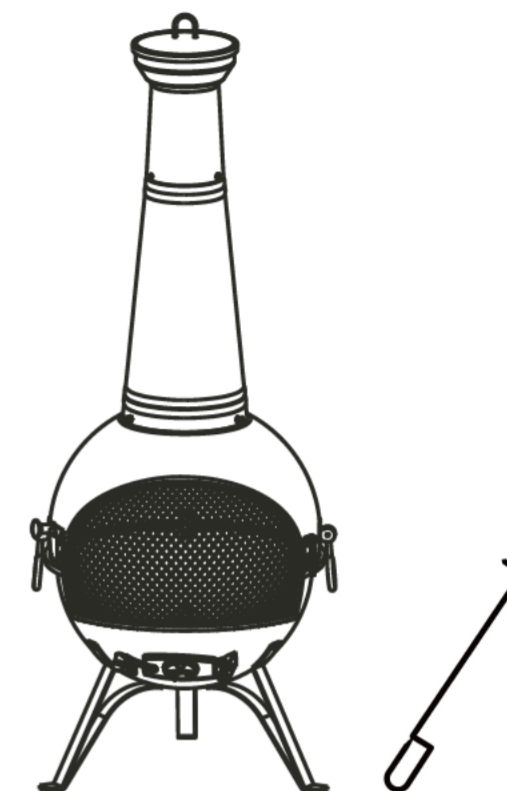


STEP 5 - Attach bottom flue (3) to top bowl (4) using 3 x bolts, nuts and washers (A,B & C). Then attach top flue (2) to bottom flue using 3 x bolts, nuts and washers (A,B & C). Then place lid (1) on top of the flue. Note: Lid must be removed prior to use.

STEP 6 - Insert log grate (10) into the bottom bowl.

The product is now ready to use but please ensure you have read these instructions thoroughly prior to use.

- 4 -



These instructions form part of this appliance. Please be sure to read them before use and keep for future reference. This product is for domestic use only and should not be used commercially or for contract purposes.

## CARE AND SAFE USE GUIDELINES

### SAFETY INFORMATION

#### WARNINGS:

- Product labels and warnings affixed with adhesive or other permanent means must never be removed; doing so will invalidate the product's regulatory compliance and its warranty.
- To prevent damage or surface cracking, do not drop this appliance.
- Do not overload with fuel (untreated wood or logs); if the fire is too intense this could damage the appliance. Fuel should never protrude from the mouth of the appliance.
- This appliance will become very hot in use, do not move it during operation.
- Do not use this appliance in a confined and/or habitable space e.g. houses, tents, caravans, motor homes or boats. Danger of carbon monoxide poisoning fatality.
- Keep children and pets away.
- Do not use this appliance as a furnace.

#### FIRE HAZARD:

- This appliance must be installed on a secure level base before use.
- Do not use this appliance on wooden decking or any other flammable surfaces such as dry grass, wood chips, leaves or decorative bark, etc.
- Do not use this appliance on artificial grass or other surfaces that are not heat resistant.
- Hot embers may be emitted whilst in use.
- Ensure that this appliance is positioned at least 2 metres away from any flammable materials and has a minimum clearance of 2 metres from overhead and adjacent surroundings.
- Never leave a hot or burning fire unattended.

#### CARE & USE

- When lifting or moving this appliance, never drag it; seek assistance as necessary.
- As this appliance has components made from steel and/or cast iron, the surface will age and develop surface rust over time once it is exposed to natural weather elements. This is to be expected and does not constitute an appliance fault.
- Never fuel the fire to an extent that flames reach the top of the appliance.
- This appliance must never be used with the lid fitted (if supplied).
- For safety reasons, it is recommended to inspect this appliance before each use for signs of fatigue and damage. Be sure to replace any appliance that has reached the end of its natural life.
- If this appliance is left outside temporarily a suitable cover must be used, once it has cooled completely.
- For long-term storage this appliance must be stored in an environment that is free from frost, rain and excessive moisture.
- This appliance could mark or stain a patio; to protect against this place onto a separate patio slab or brick base.

#### SOLID FUEL TYPES & LEVELS

- For outdoor heating, the following fuel types may be used with this appliance: untreated wood, logs and Easylogs.
- For cooking food, it is essential to use lumpwood charcoal.
- Do not burn coal in this appliance.
- Do not overload with fuel: it is recommended to fill only to half capacity of the fire bowl or fuel burning area.
- The recommended quantity of fuel must never be exceeded by greater than 50%.

#### LIGHTING, REFUELLING & EXTINGUISHING

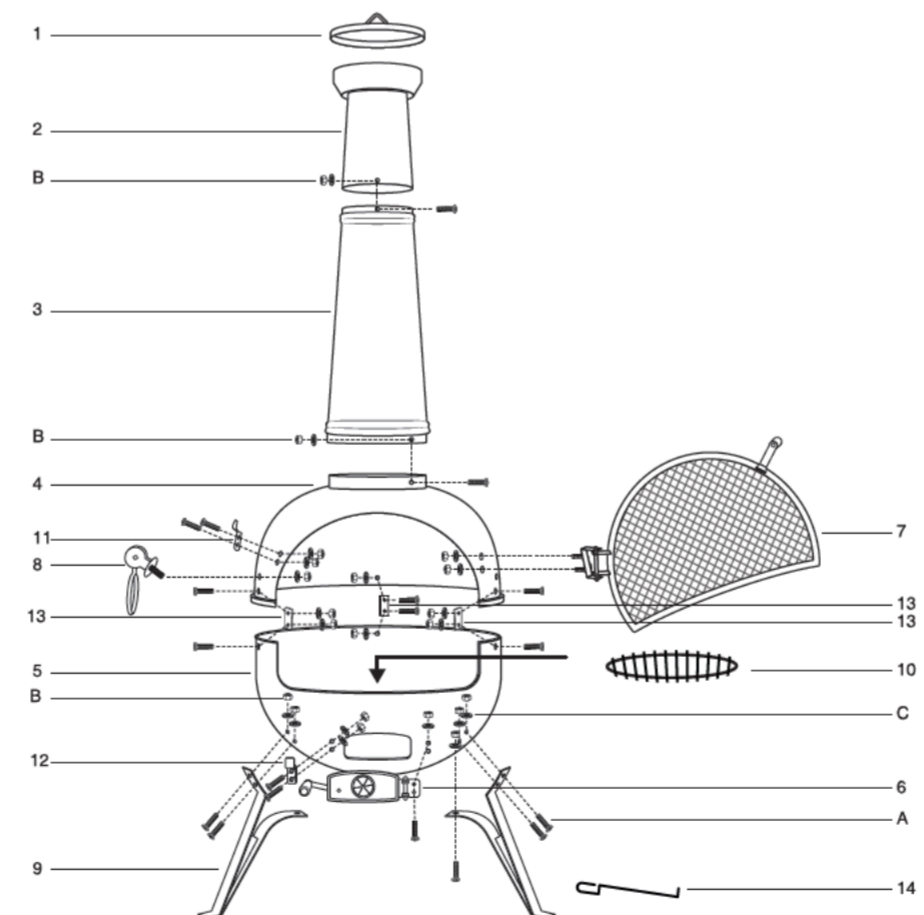
- WARNING!** Do not use spirit or petrol for lighting or re-lighting! Use only firelighters complying to EN 1860-3.
- Prepare a stack of loosely crumpled newspaper or eco firelighters (or compatible, tested to EN 1860-3) into the fuel-burning area.
- Pile finely split, dry, firewood on top of the paper.
- Add half of the fuel leaving access to light the paper.
- Light the paper or firelighters using long safety matches or a long-reach lighter. Once the fire is established add the remaining fuel.
- Always use heat resistant gloves, tested to EN 407, when adding fuel, or when using any safety tool (where supplied).
- Do not drop or throw fuel into the appliance as this can cause cracks/fractures to the appliance.
- To extinguish the fire after use: stop adding fuel and allow the fire to die; alternatively douse it with sand. Do not use water as this may damage the appliance, and will also create excess ash particles.

#### Chimenea Cover:

- Ensure product is completely cool before covering.
- Covers can be cleaned with warm soapy water.

- 1 -

## COMPONENT IDENTIFICATION



- 2 -