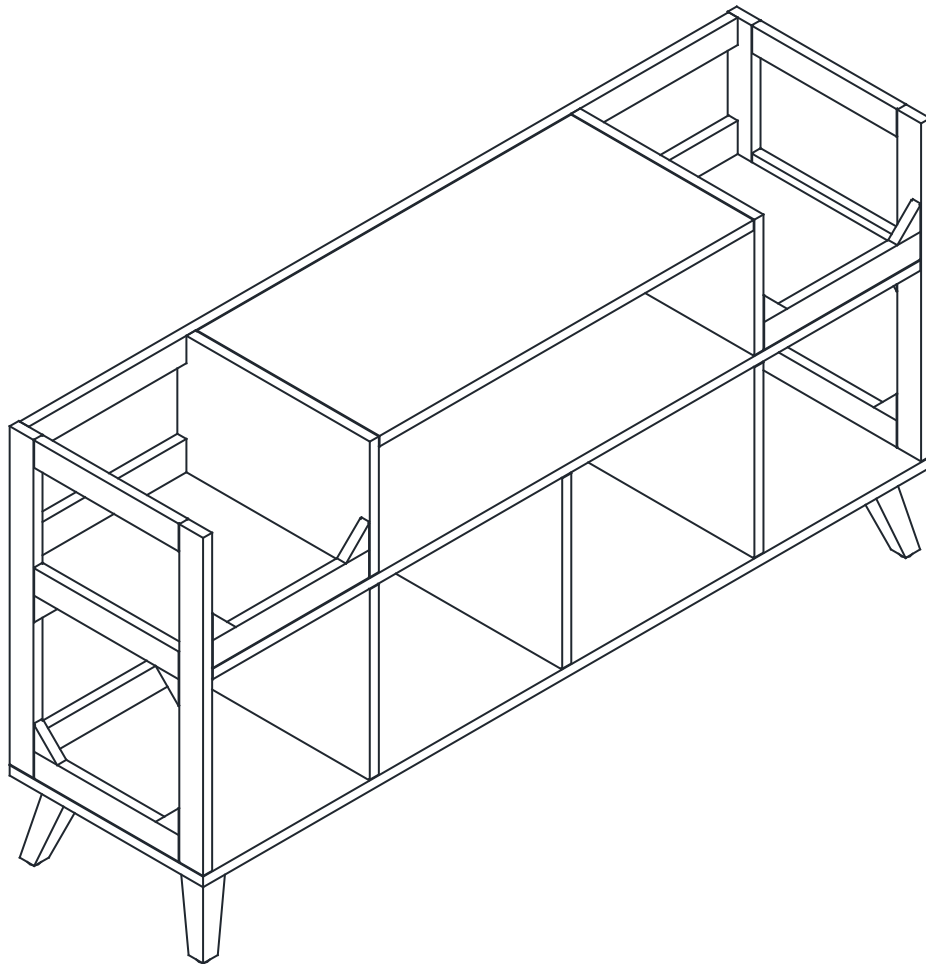
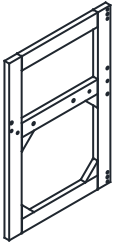
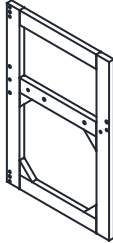
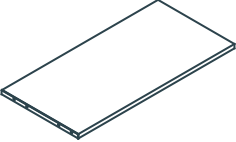
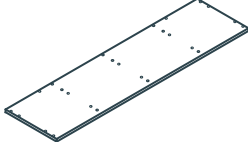
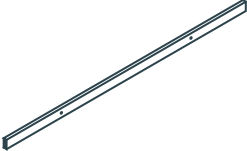
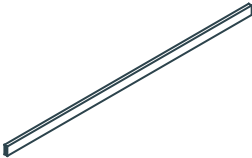
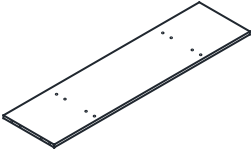
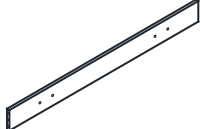
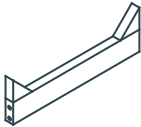
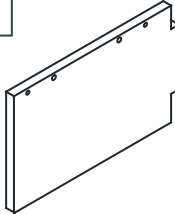
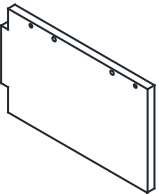
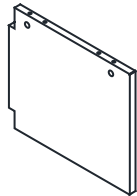
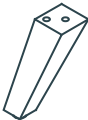



CROSLEY
FURNITURE

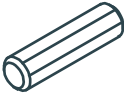
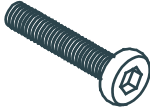








XL Record Player Stand With Vinyl Storage
CF1154



PART LIST

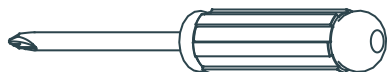
<p>A</p> 	<p>B</p> 	<p>C</p> 	<p>D</p> 	<p>E</p> 
<p>Left Frame 1 PC</p>	<p>Right Frame 1 PC</p>	<p>Top 1 PC</p>	<p>Bottom 1 PC</p>	<p>Back Top Rail 1 PC</p>
<p>F</p> 	<p>G</p> 	<p>H</p> 	<p>I</p> 	<p>J</p> 
<p>Back Bottom Rail 1 PC</p>	<p>Shelf 1 PC</p>	<p>Back Middle Rail 1 PC</p>	<p>Front Rail 2 PCS</p>	<p>Top Left Partition Panel 1 PC</p>
<p>K</p> 	<p>L</p> 	<p>M</p> 	<p>N</p> 	
<p>Top Right Partition Panel 1 PC</p>	<p>Bottom Partition Panel 3 PCS</p>	<p>Leg 4 PCS</p>	<p>Support Leg 1 PC</p>	

HARDWARE LIST

<p>#1</p>  <p>Ø8mm*1-1/8"</p>	<p>#2</p>  <p>Ø1/4"*1-3/4"</p>	<p>#3</p> 	<p>#4</p>  <p>Ø1/4"*1-1/4"</p>	<p>#5</p>  <p>Ø1/4"*5/8"</p>
<p>Wood Dowel 46 PCS (Extra 1)</p>	<p>Long Bolt 8 PCS (Extra 1)</p>	<p>Crescent Washer 8 PCS (Extra 1)</p>	<p>Medium Bolt 21 PCS (Extra 1)</p>	<p>Short Bolt 24 PCS (Extra 1)</p>
<p>#6</p> 	<p>#7</p> 	<p>#8</p> 	<p>#9</p>  <p>4mm</p>	<p>#10</p> 
<p>Metal Plate 4 PCS</p>	<p>Cam Bolt 18 PCS (Extra 1)</p>	<p>Cam Lock 18 PCS (Extra 1)</p>	<p>Allen Wrench 1 PC</p>	<p>Safety Strap Kit 1 SET</p>

ADDITIONAL TOOLS (Not Provided)

Note: It is not recommended to use power tools during assembly.

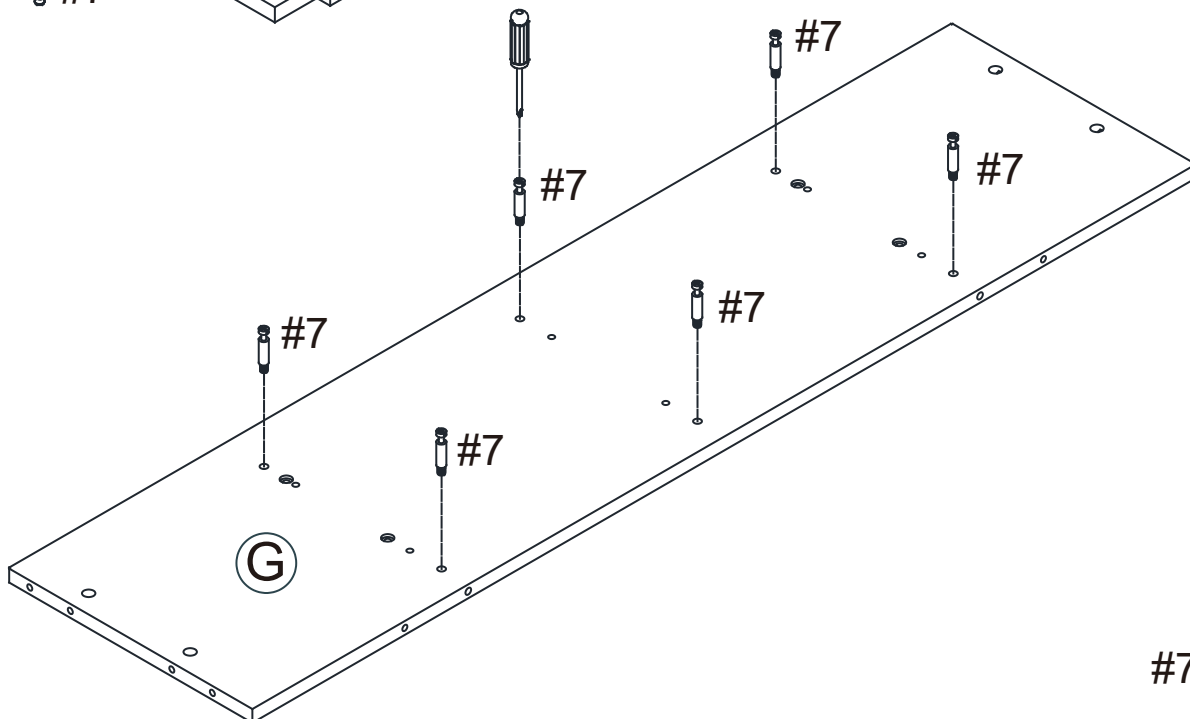
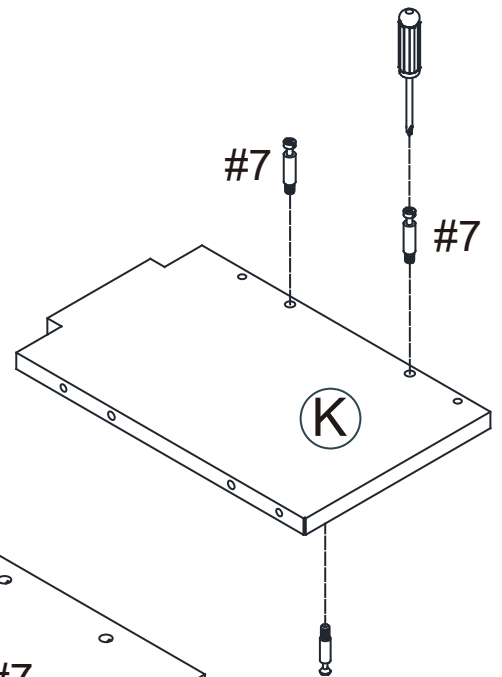
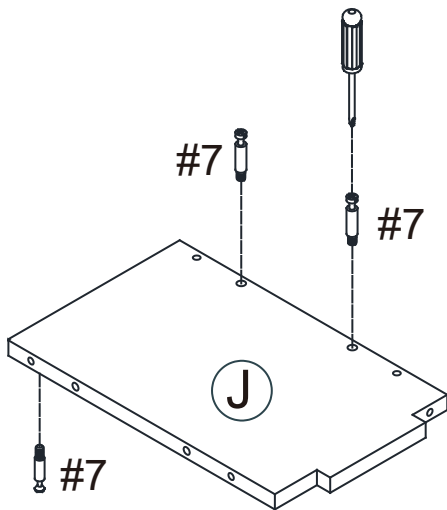
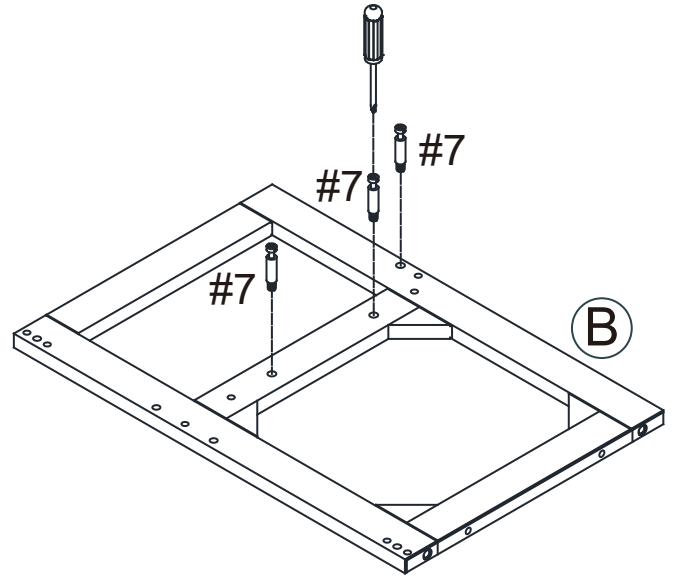
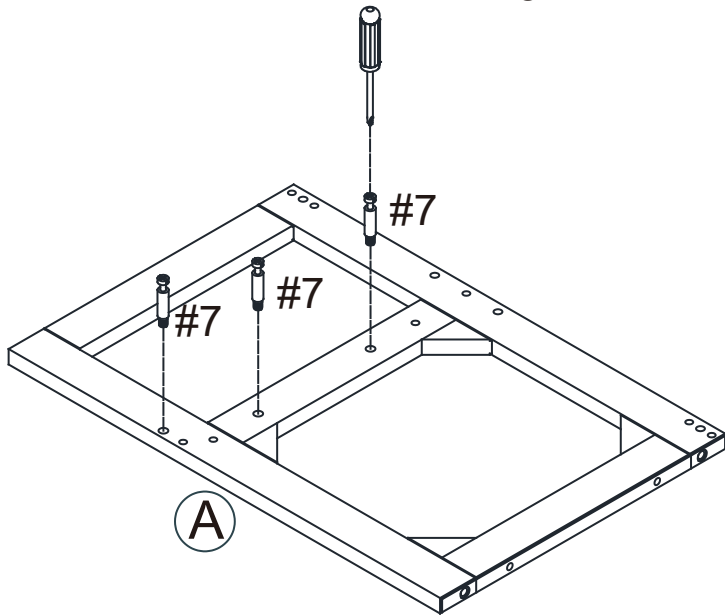


Phillips Head Screwdriver

Note: Wood dowels are intended for alignment. Additional clearance between wood dowel and pre-drilled hole is intentional for ease of assembly.

Step 1. Attach cam bolts (part #7) to left frame (part A), right frame (part B), shelf (part G), top left partition panel (part J) and top right partition panel (part K) using phillips head screwdriver.

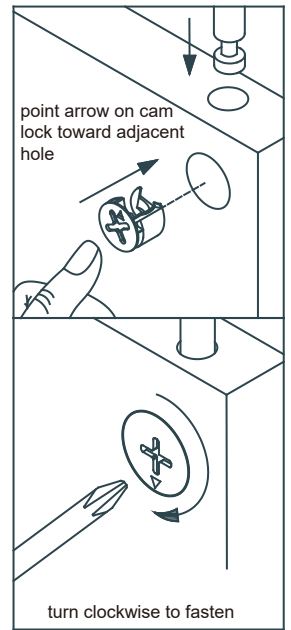
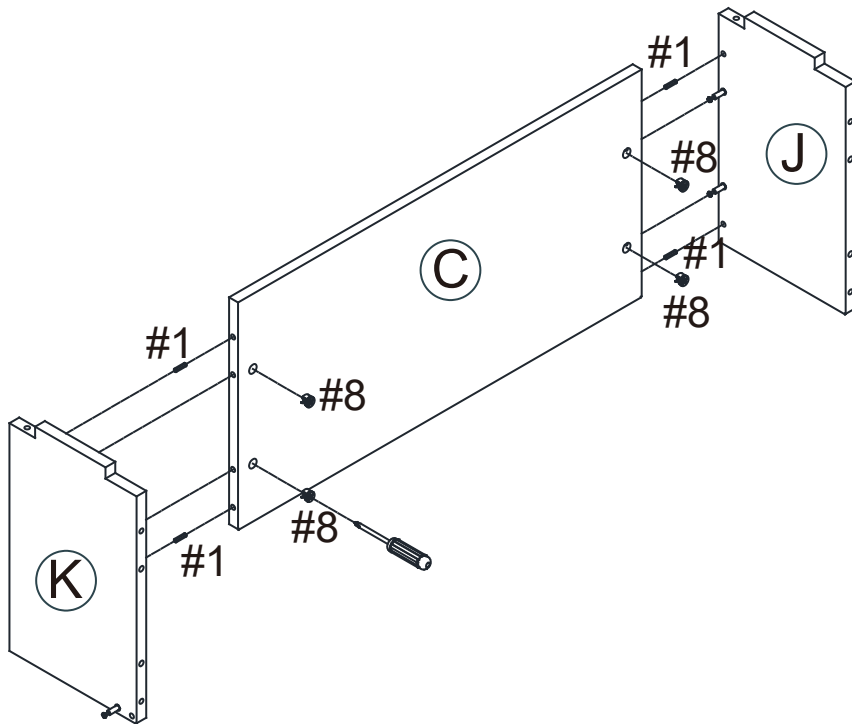
Note: Do not overtighten cam bolts. Stop tightening once threads on cam bolt are no longer visible.





#7  x 18

Step 2. Attach top (part C) to top left partition panel (part J) and top right partition panel (part K) using wood dowels (part #1), cam locks (part #8) and phillips head screwdriver.

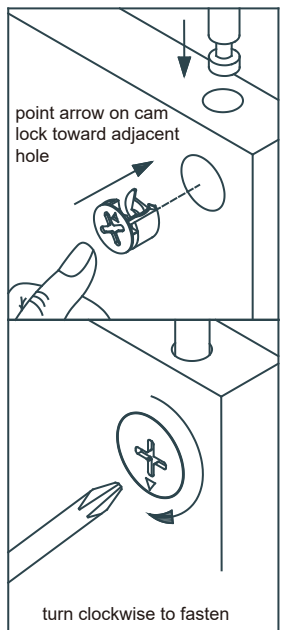
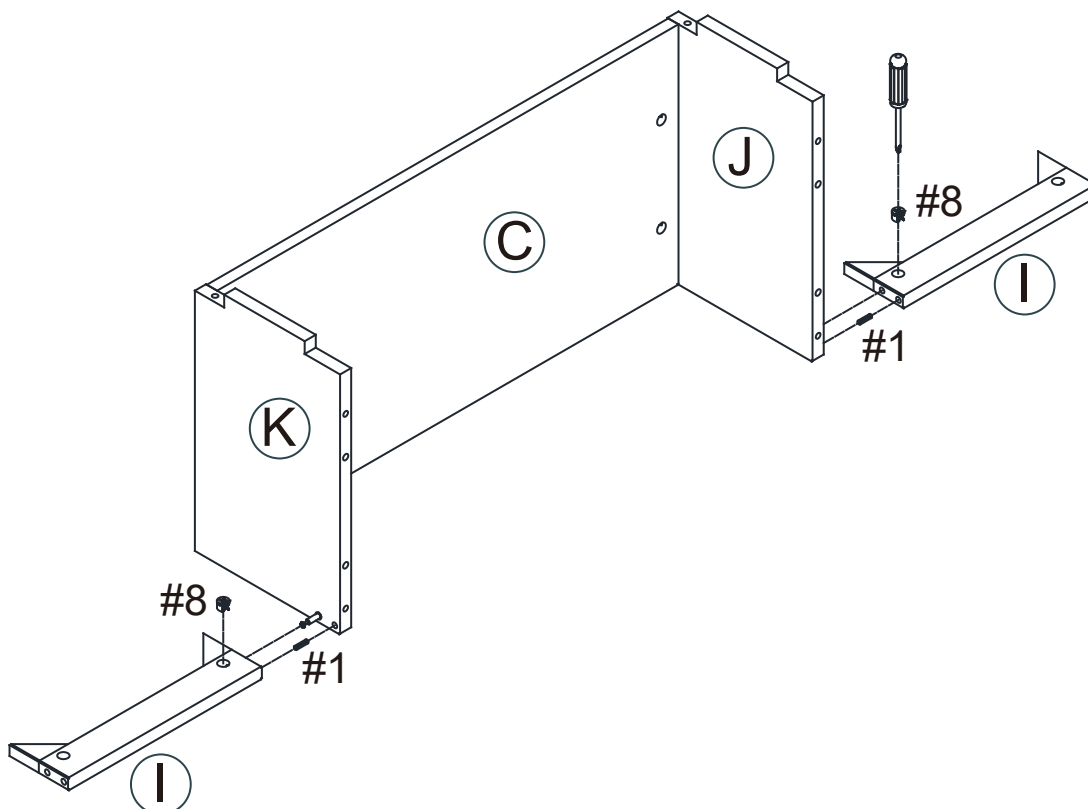
Note: Cam locks must rotate a full 180°. See pictured insert.





- #1  x 4
- #8  x 4

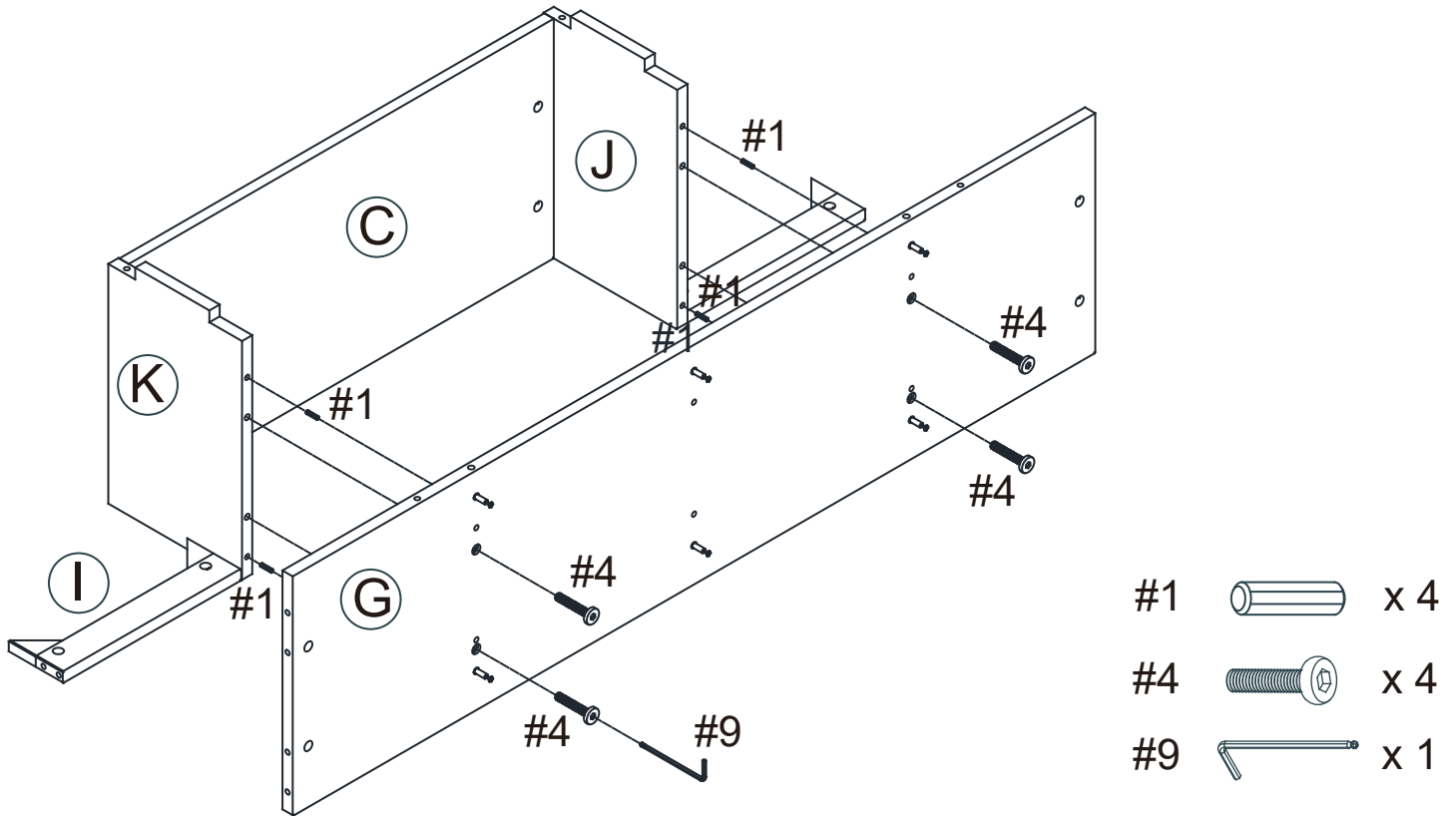
Step 3. Attach front rails (part I) to top left partition panel (part J) and top right partition panel (part K) using wood dowels (part #1), cam locks (part #8) and phillips head screwdriver.

Note: Cam locks must rotate a full 180°. See pictured insert.

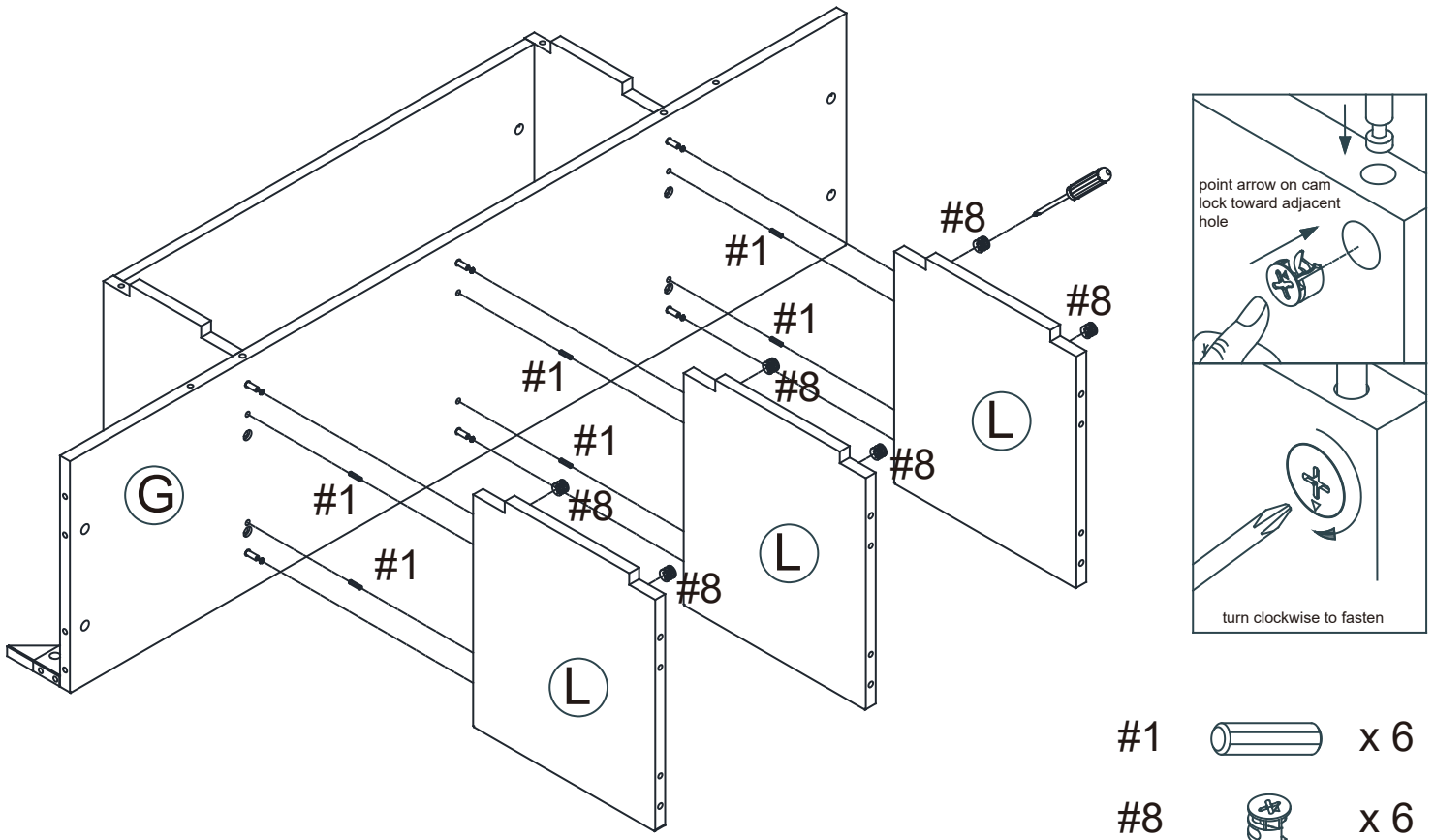


- #1  x 2
- #8  x 2

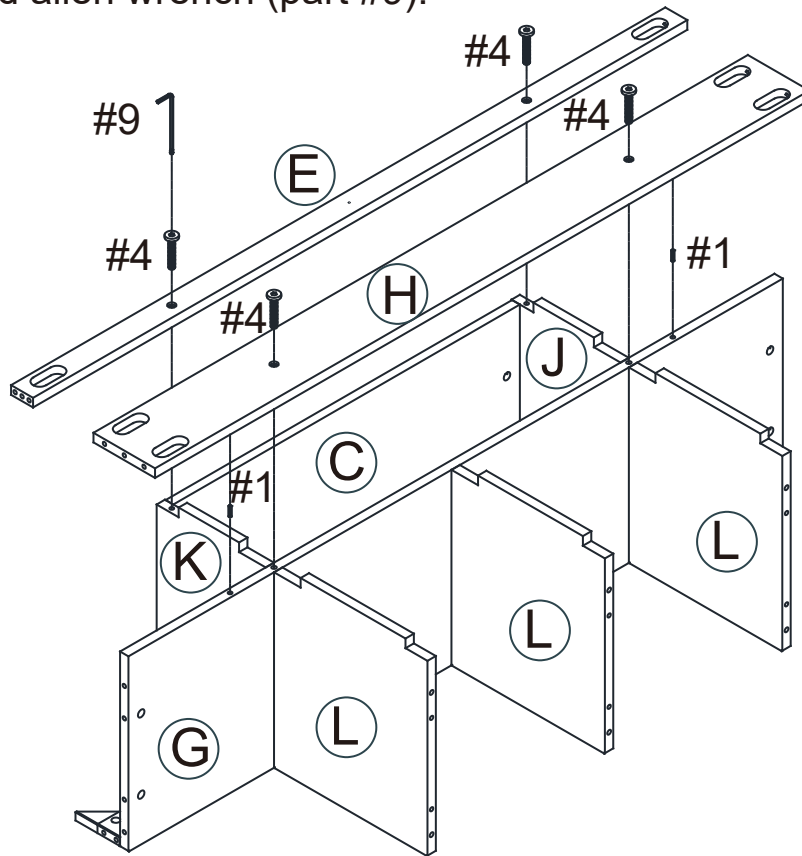
Step 4. Attach shelf (part G) to assembled unit (parts J & K) using wood dowels (part #1), medium bolts (part #4) and allen wrench (part #9).






Step 5. Attach bottom partition panels (part L) to shelf (part G) using wood dowels (part #1), cam locks (part #8) and phillips head screwdriver. Note: Cam locks must rotate a full 180°. See pictured insert.

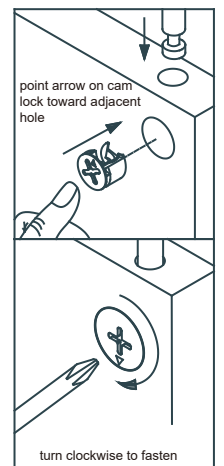
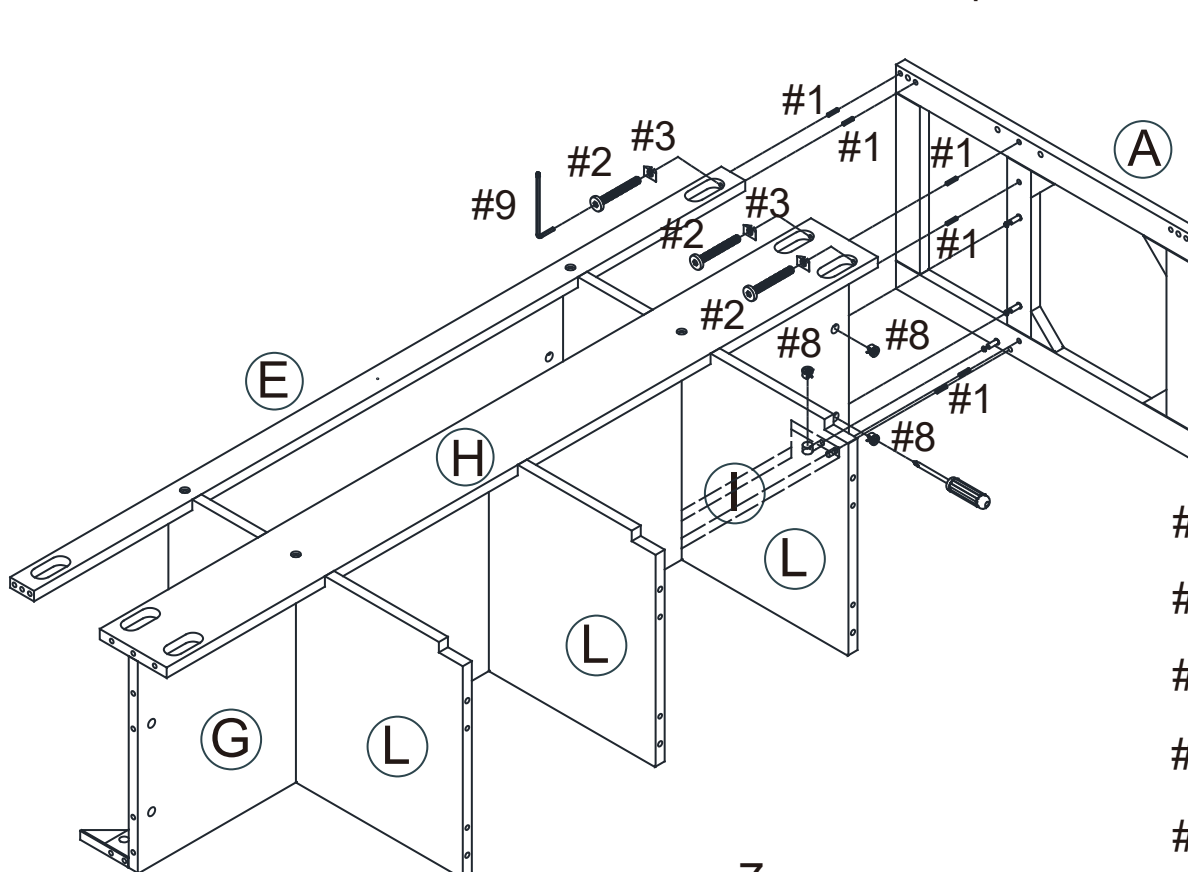







Step 6. Attach back top rail (part E) and back medium rail (part H) to assembled unit (parts G, J & K) using wood dowels (part #1), medium bolts (part #4) and allen wrench (part #9).



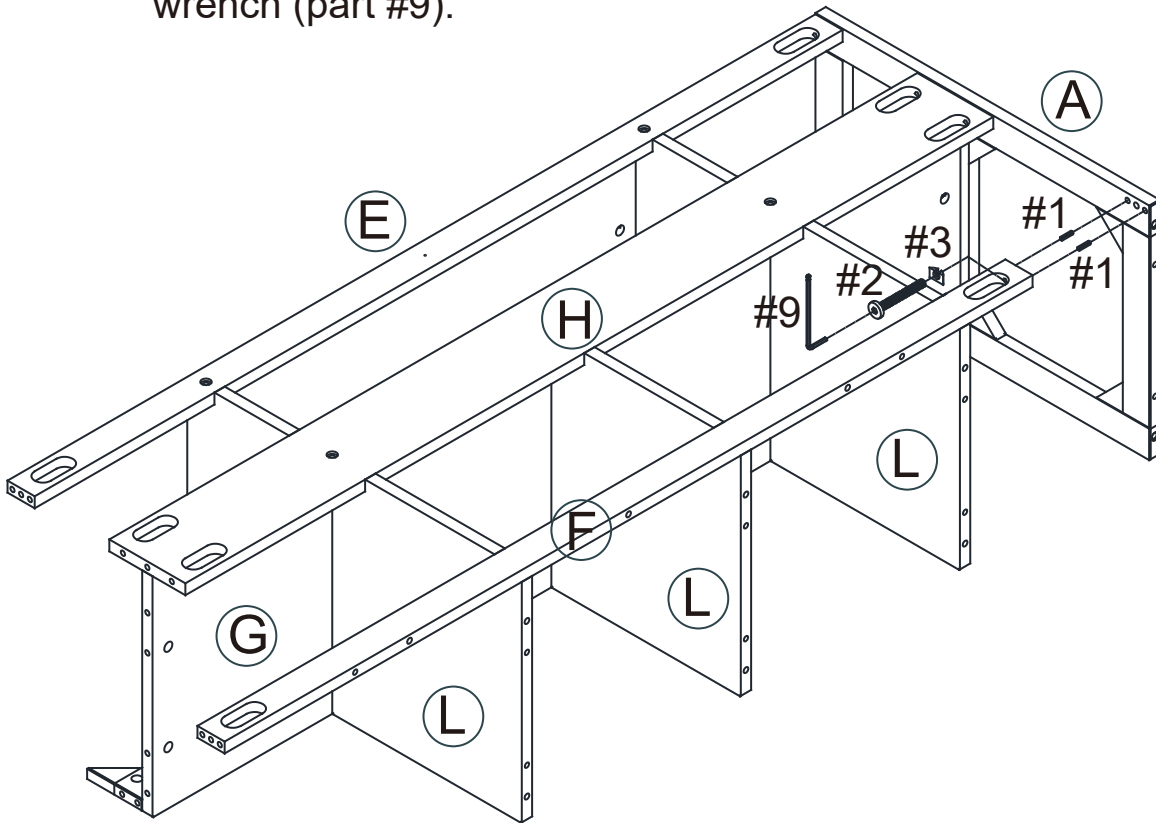
- | | | |
|----|---|-----|
| #1 |  | x 2 |
| #4 |  | x 4 |
| #9 |  | x 1 |





Step 7. Attach left frame (part A) to assembled unit (parts E, G, H & I) using cam locks (part #8), wood dowels (part #1), long bolts (part #2), crescent washers (part #3), allen wrench (part #9) and phillips head screwdriver. Note: Cam locks must rotate a full 180°. See pictured insert.



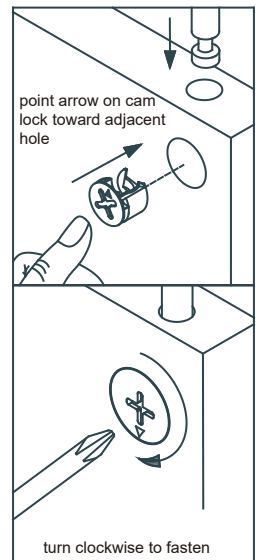
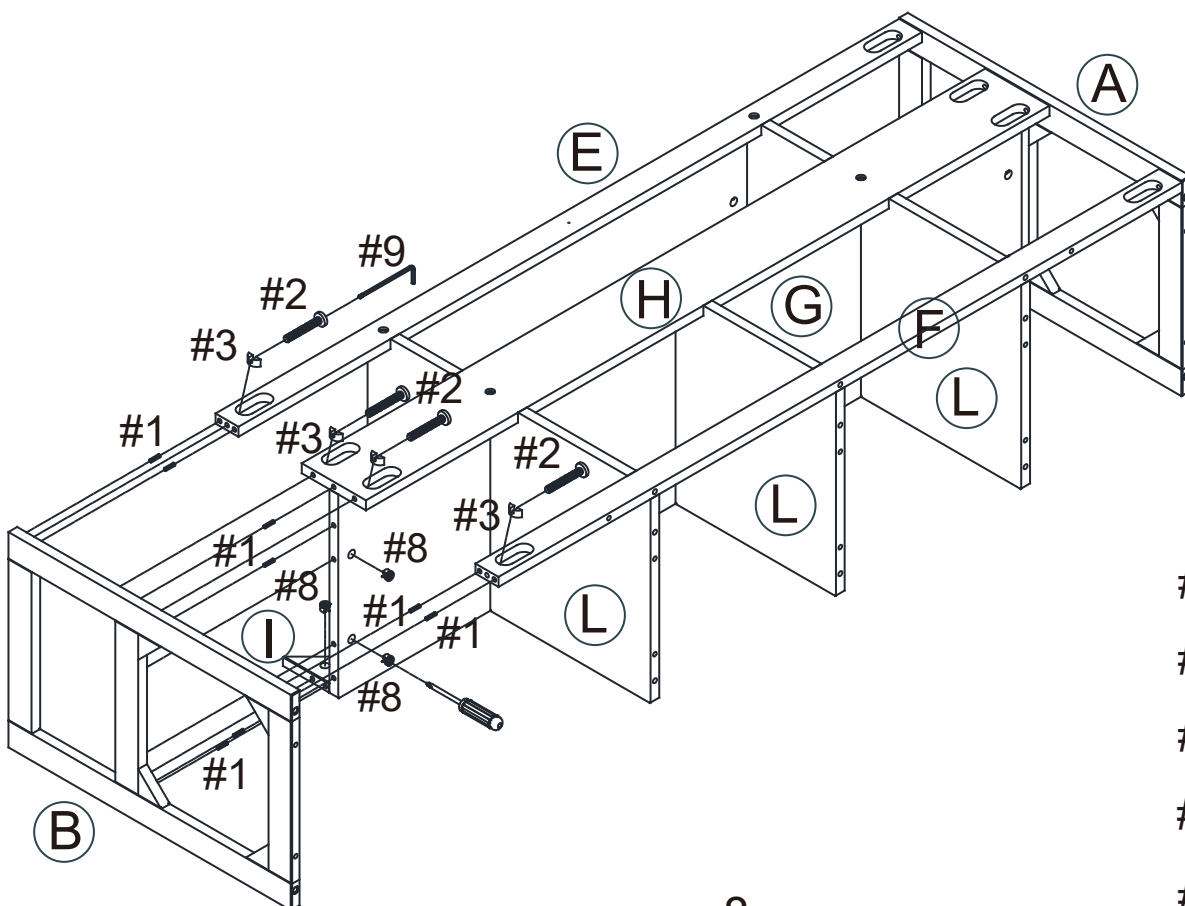
- | | | |
|----|---|-----|
| #1 |  | x 6 |
| #2 |  | x 3 |
| #3 |  | x 3 |
| #8 |  | x 3 |
| #9 |  | x 1 |






Step 8. Attach back bottom rail (part F) to left frame (part A) using wood dowels (part #1), long bolt (part #2), crescent washer (part #3) and allen wrench (part #9).



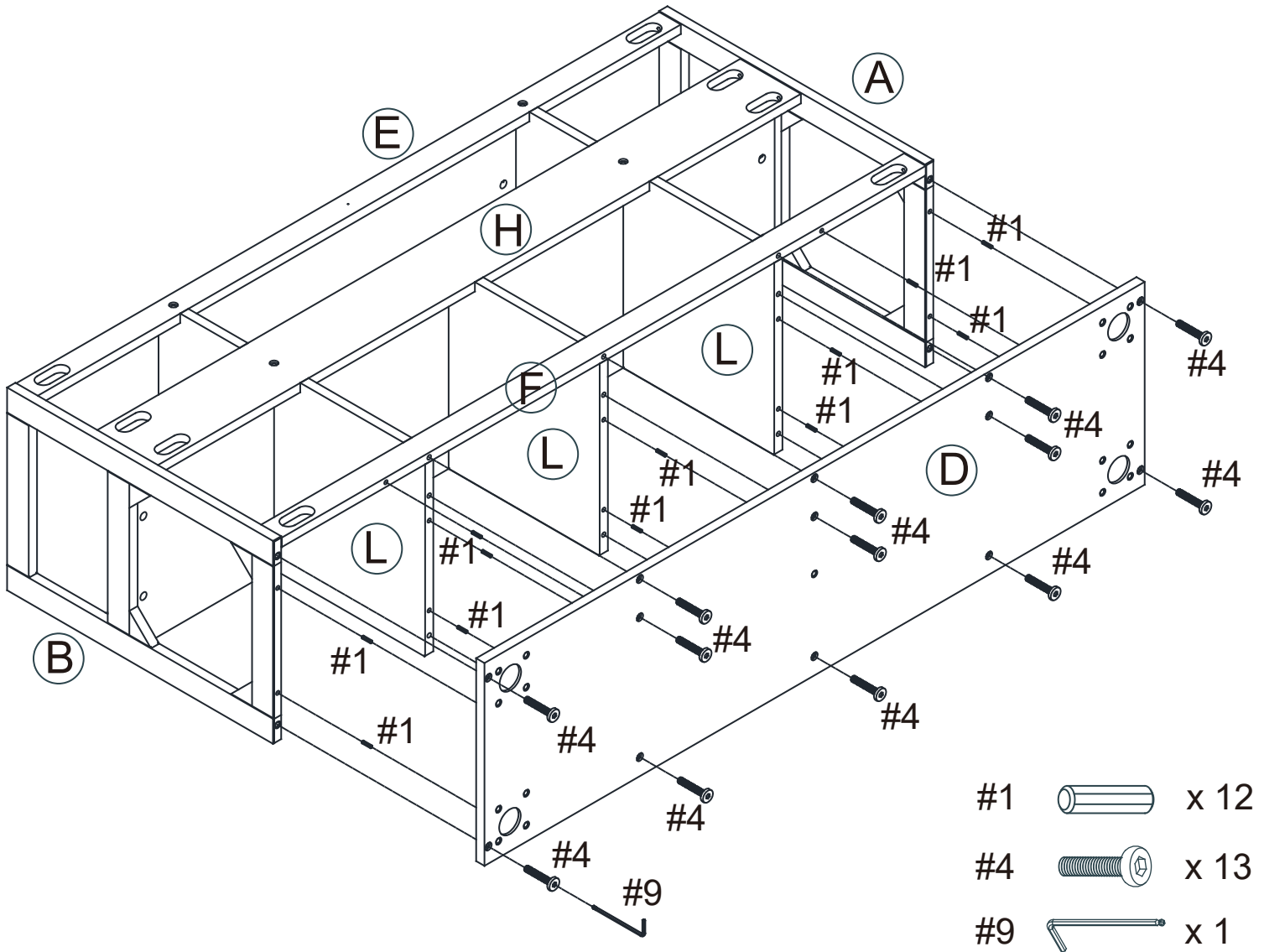
- #1  x 2
- #2  x 1
- #3  x 1
- #9  x 1

Step 9. Attach right frame (part B) to assembled unit (parts E, F, G, H & I) using cam locks (part #8), wood dowels (part #1), long bolts (part #2), crescent washers (part #3), allen wrench (part #9) and phillips head screwdriver. Note: Cam locks must rotate a full 180°. See pictured insert.



- #1  x 8
- #2  x 4
- #3  x 4
- #8  x 3
- #9  x 1

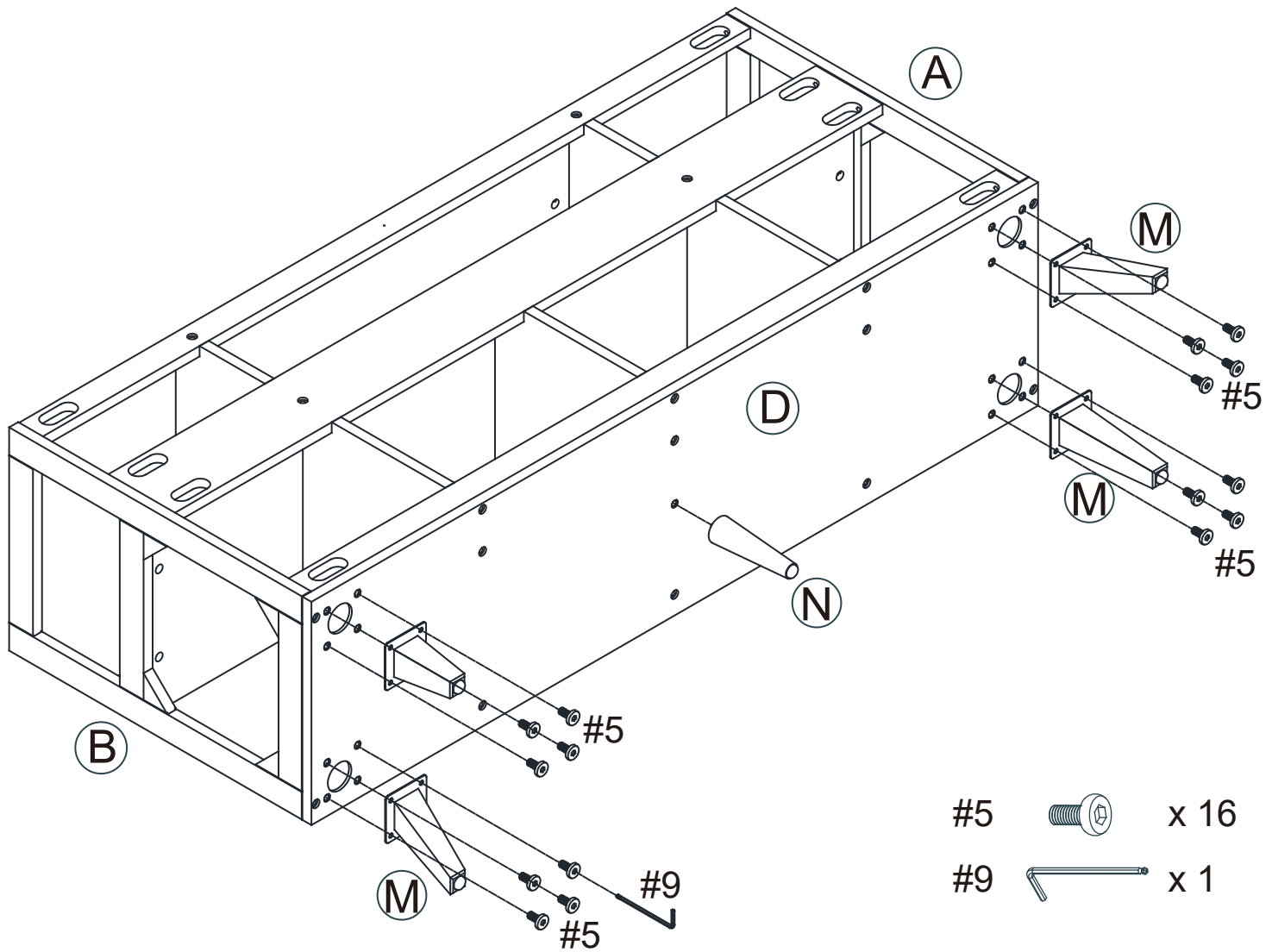
Step 10. Attach bottom (part D) to assembled unit (parts A, B, F & L) using wood dowels (part #1), medium bolts (part #4) and allen wrench (part #9).



Step 11. Attach metal plates (part #6) to legs (part M) using short bolts (part #5) and allen wrench (part #9).



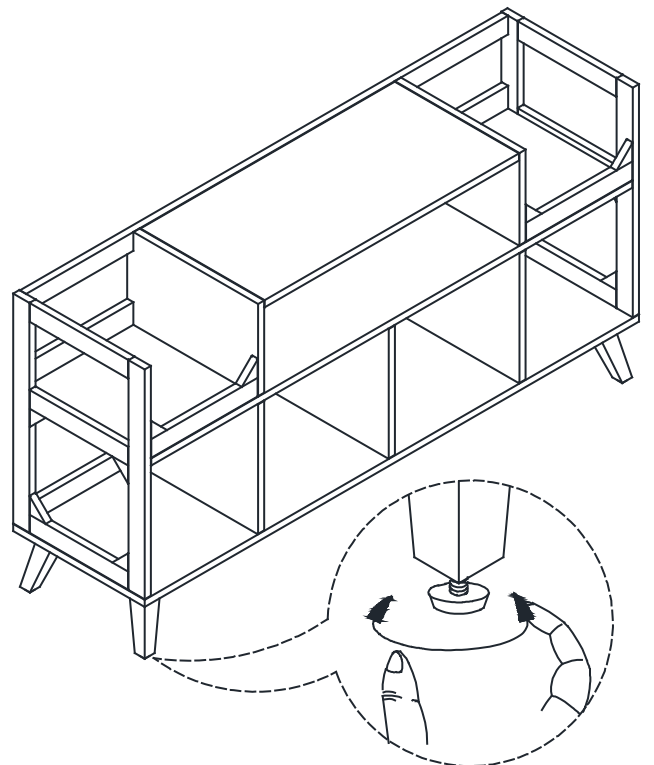
Step 12. Attach assembled legs (part M) to bottom (part D) using short bolts (part #5) and allen wrench (part #9). Attach support leg (part N) to bottom (part D).









Step 13. Carefully turn unit upright.

Note: It is important to adjust levelers once fully assembled and upright. Extend adjustable leveler until it's firmly in contact with the floor. If relocating, adjust leveler as needed until it's firmly in contact with the floor in new location.

Important: Safety strap kit (part #10) must be installed to prevent tipping, damage and/or injury.



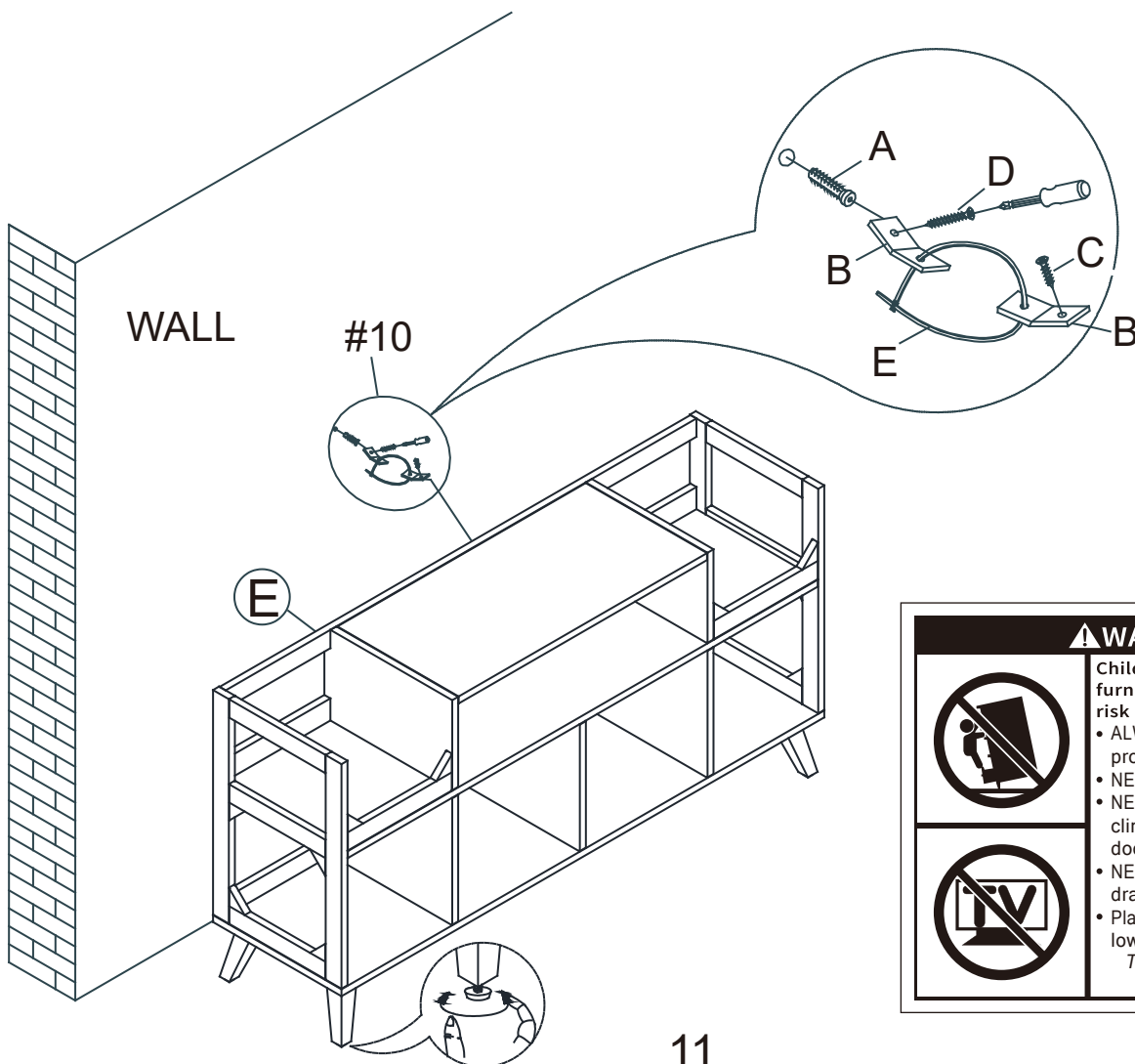
#10	A	B	C	D	E
					
Safety Strap Kit 1 SET	Wall Anchor 1 PC	Bracket 2 PCS	Short Screw 1 PC	Long Screw 1 PC	Safety Wall Strap 1 PC

SAFETY WALL STRAP INSTALLATION



Note: It is highly recommended to install this safety strap kit to prevent tipping, damage and/or injury.

1. Insert short screw (C) and safety wall strap (E) through bracket (B) and attach to back top rail (part E) using phillips head screwdriver.
2. Drill a 11/32" hole where you want to secure the unit. The drilled hole will be at the same height as the hole in back top rail (part E) where bracket (B) is attached. Tap wall anchor (A) into the hole.
3. Insert long screw (D) and safety wall strap (E) through bracket (B) into wall anchor (A) using phillips head screwdriver.

Note: This item is not intended for clothing storage use.



⚠ WARNING

Children have died from furniture tipover. To reduce the risk of furniture tipover:

- ALWAYS install tipover restraint provided.
- NEVER put a TV on this product.
- NEVER allow children to stand, climb or hang on drawers, doors, or shelves.
- NEVER open more than one drawer at a time.
- Place heaviest items in the lowest drawers.

*This is a permanent label.
Do not remove!*