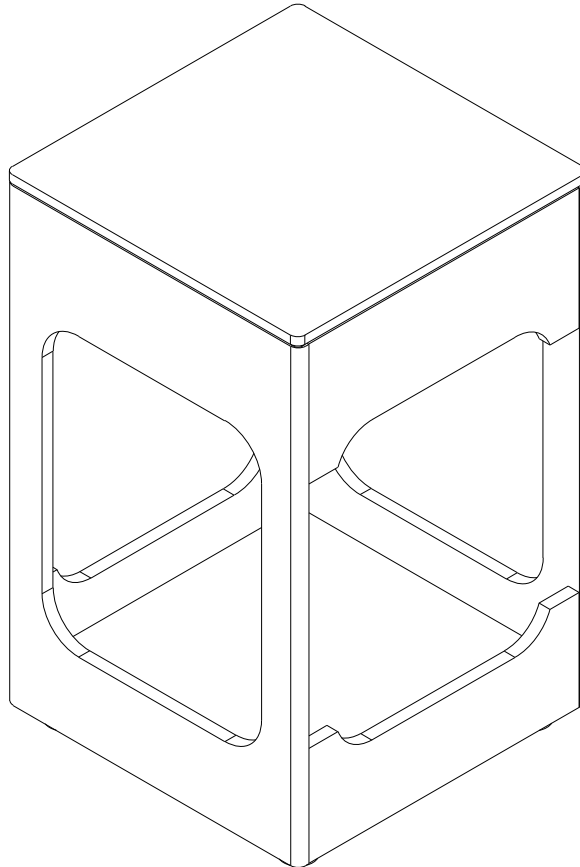


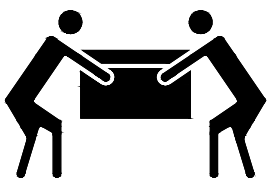
ASSEMBLY INSTRUCTIONS

HYCK-012

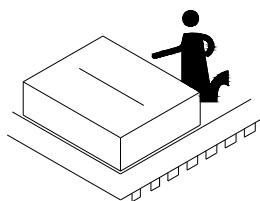


Notice:

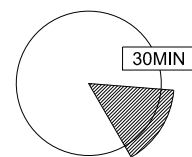
1. Follow the installation instructions. Please confirm all accessories are preset before installation.
2. Do not fully tighten the screws during initial assembly. Fully tighten screws only once all pieces which are correctly assembled.
3. If you encounter any problems during installation, please contact our customer service.
4. Please unbox the item from the side with an open-label and put a carpet on the floor to avoid scratching it.



Recommended installers:2



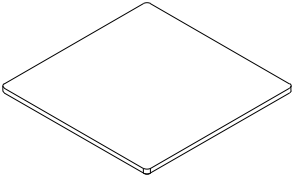
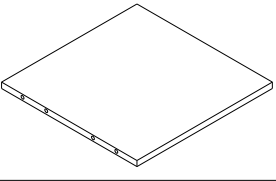
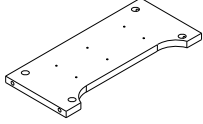
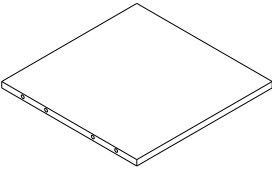
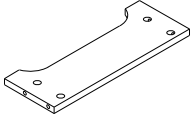
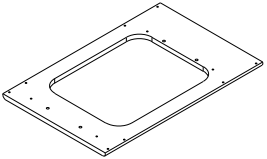
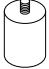
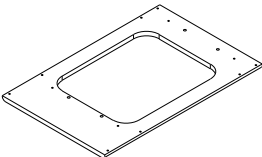
Put a carpet on the floor
before unpacking



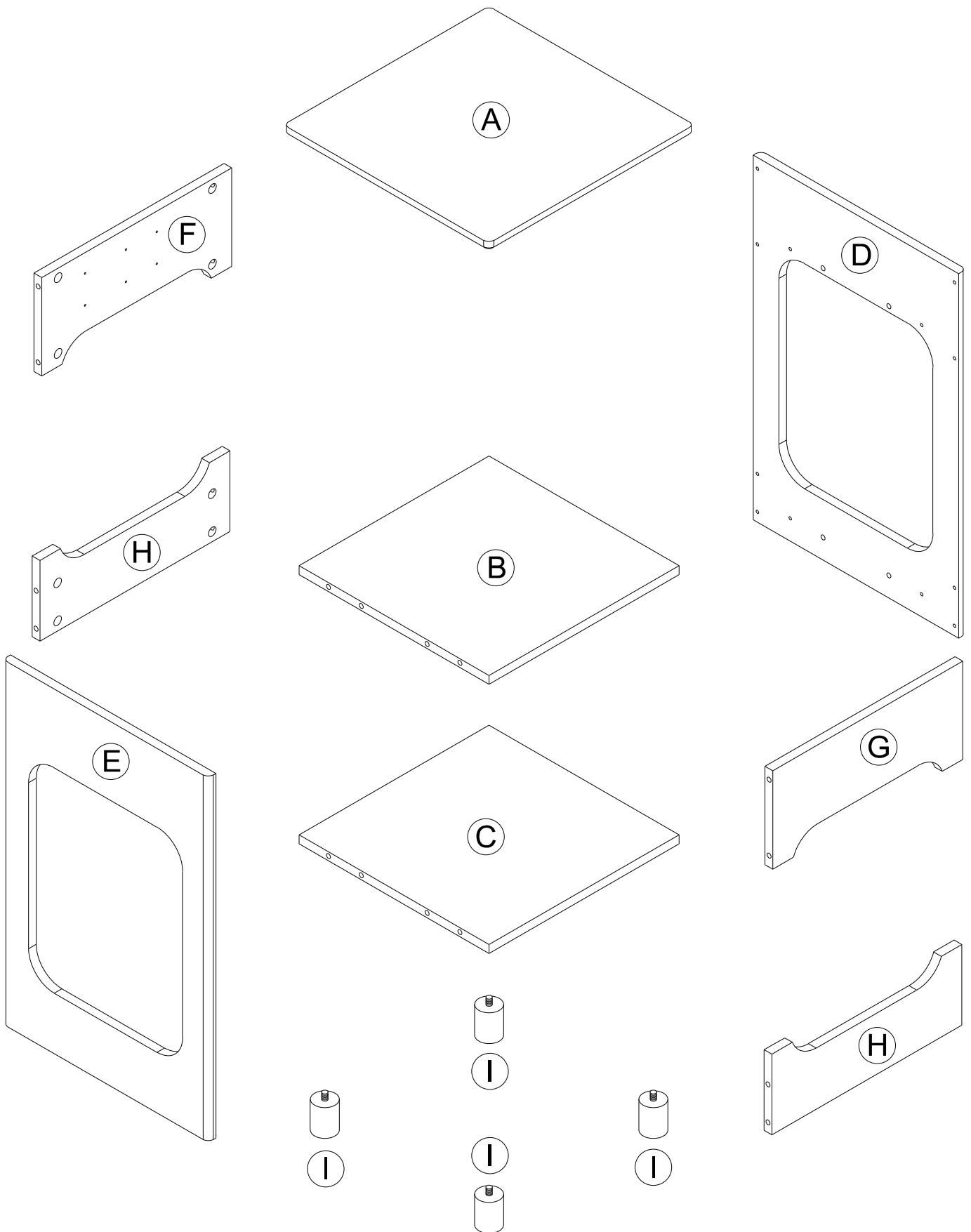
Estimate installation time:
30minutes

ASSEMBLY INSTRUCTIONS

PART LIST

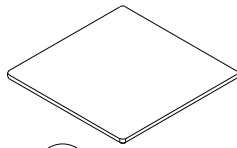
Item no.	Reference Image	Qty	Item no.	Reference Image	Qty
Ⓐ		X1	Ⓕ		
Ⓑ		X1	Ⓖ		X1
Ⓒ		X1	Ⓗ		X2
Ⓓ		X1	Ⓘ		X4
Ⓔ		X1			

ASSEMBLY INSTRUCTIONS



ASSEMBLY INSTRUCTIONS

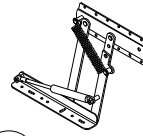
1



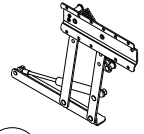
A 1pc



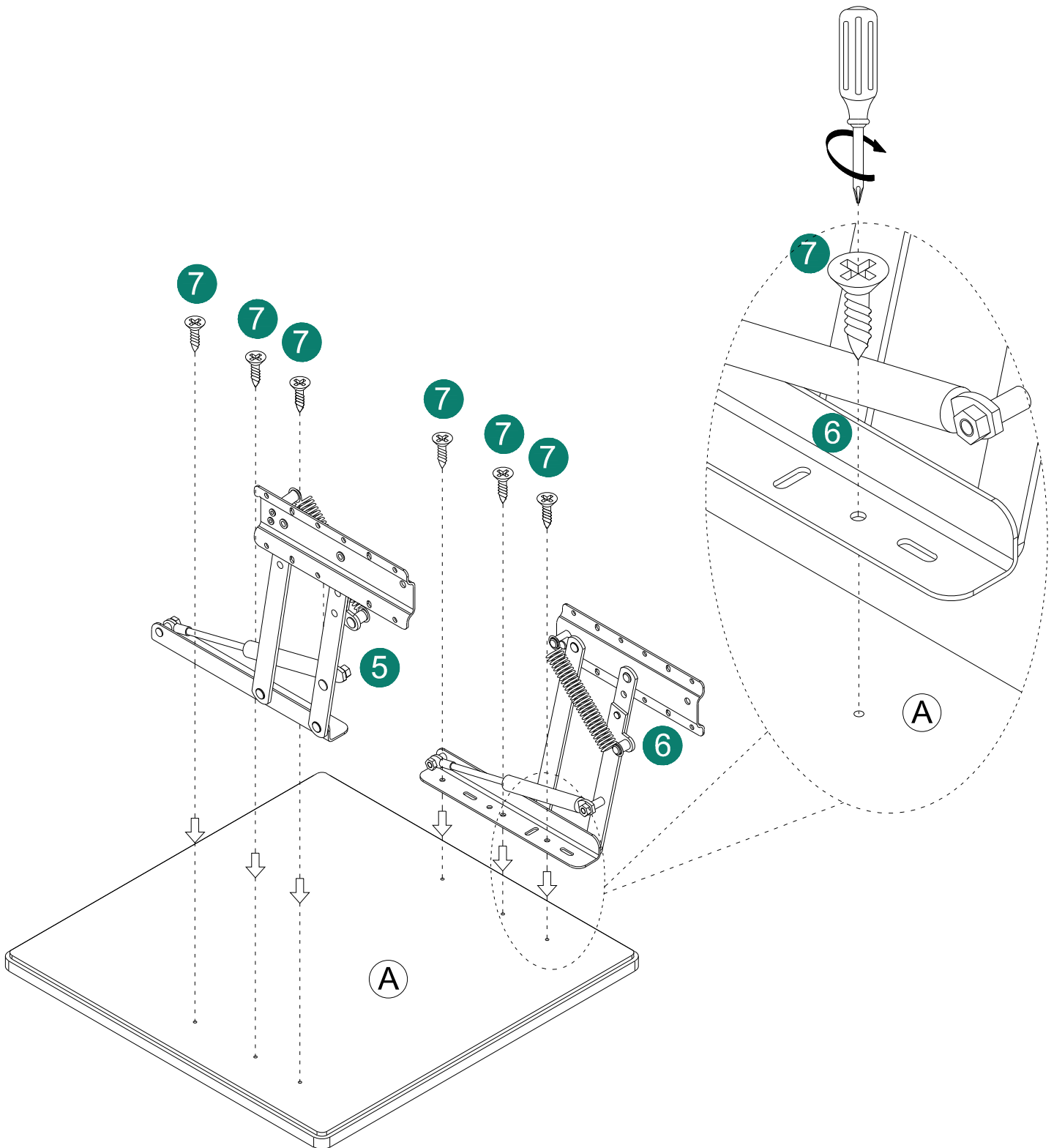
7 6pcs



5 1pcs

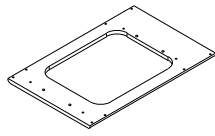


6 1pcs

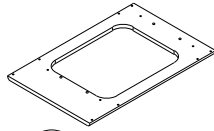


ASSEMBLY INSTRUCTIONS

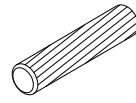
2



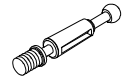
D 1pc



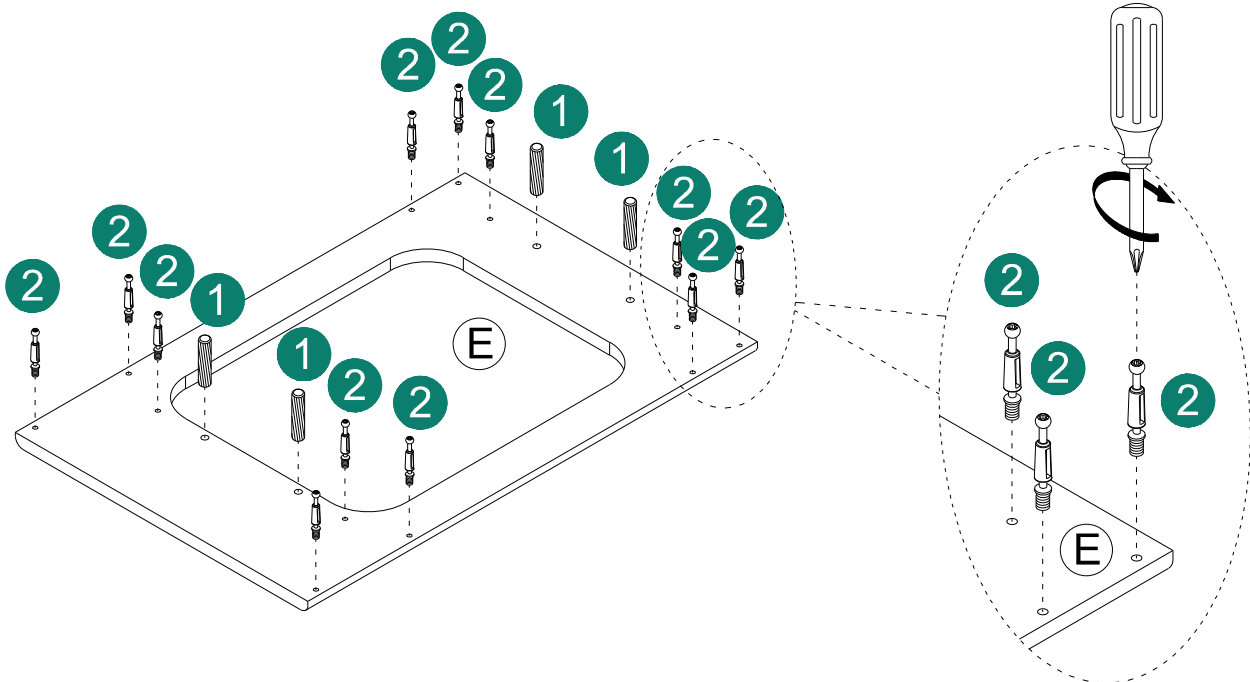
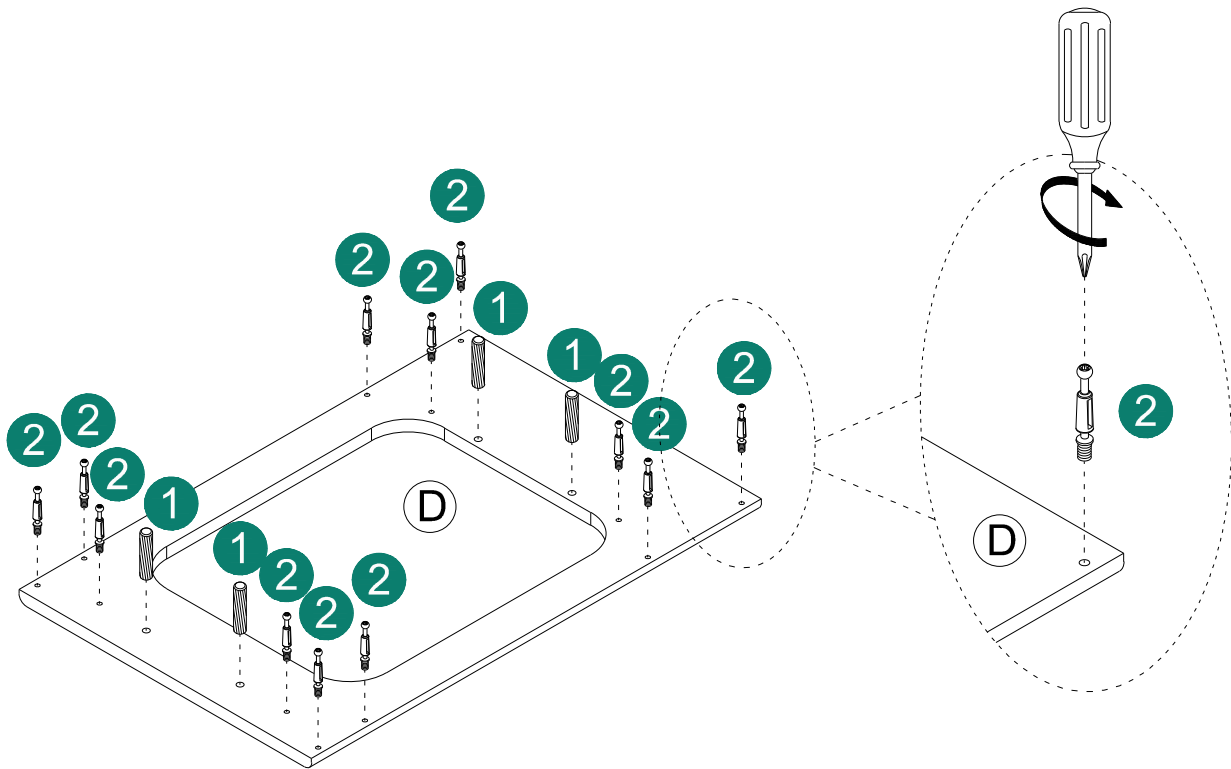
E 1pc



1 8pcs

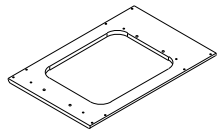


2 24pcs

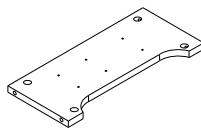


ASSEMBLY INSTRUCTIONS

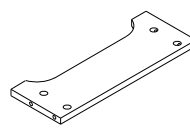
3



D 1pc



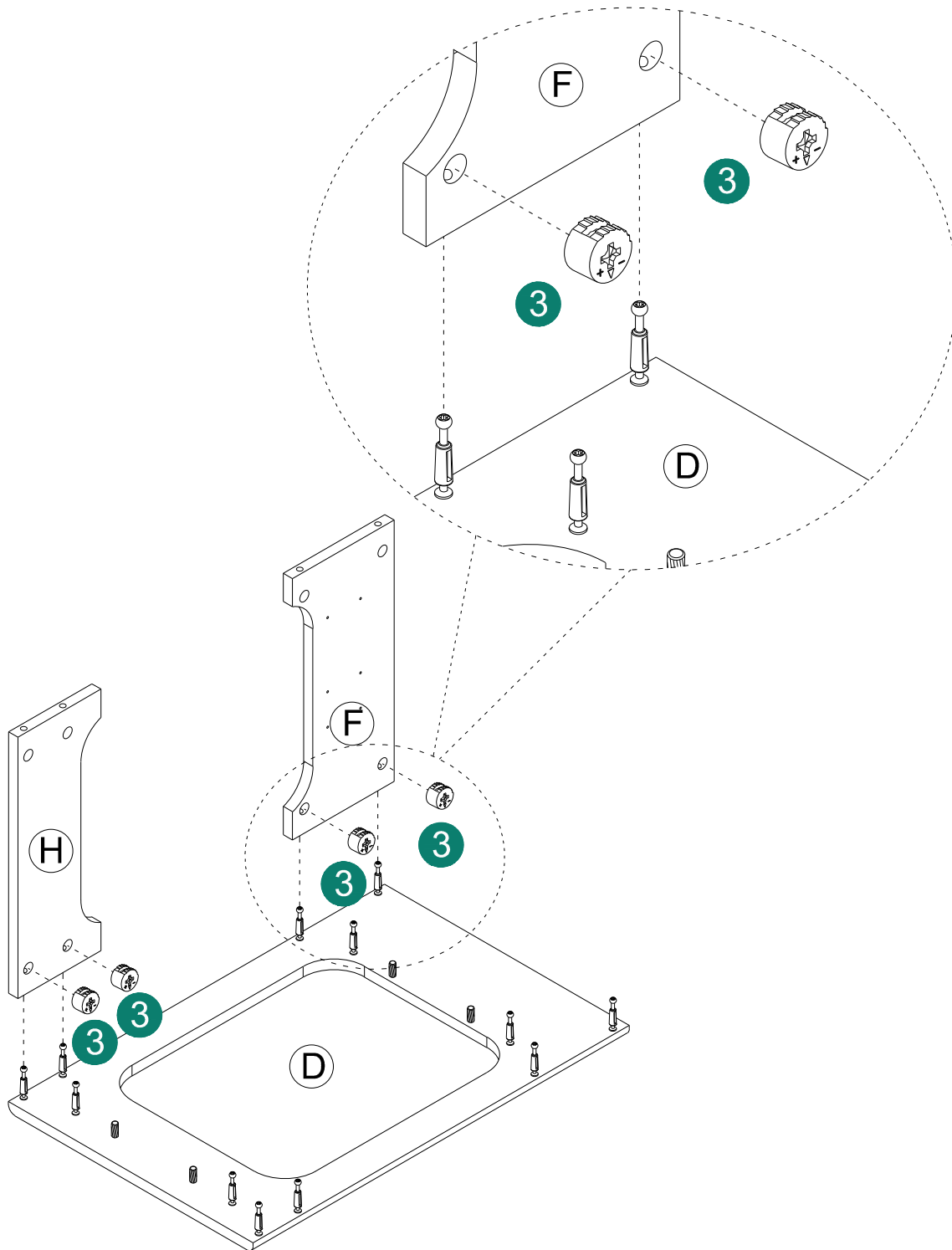
F 1pc



H 1pc

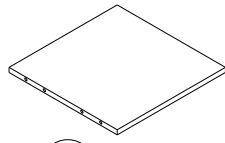


3 4pcs

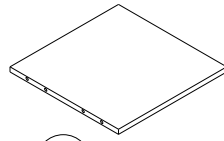


ASSEMBLY INSTRUCTIONS

4



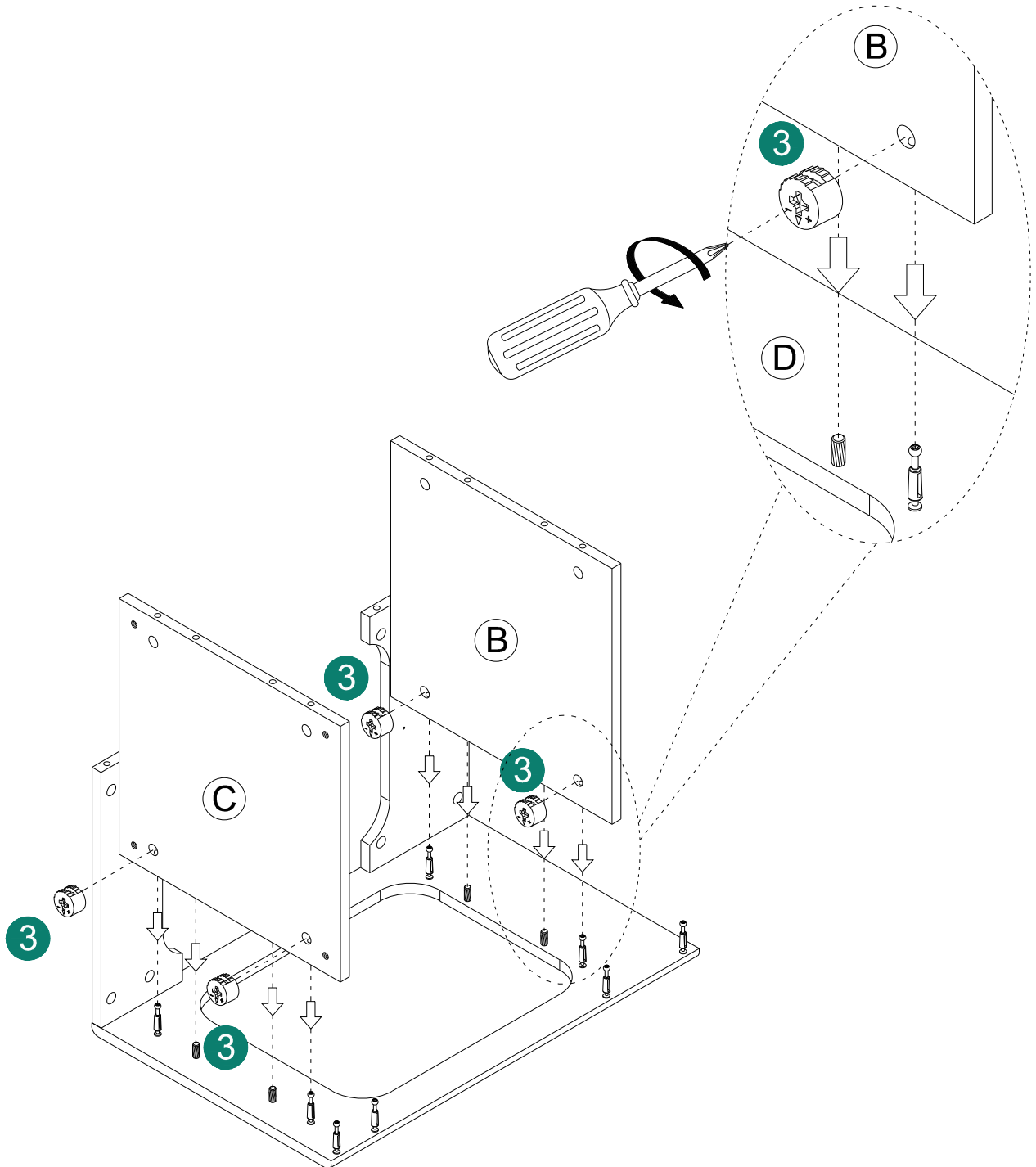
(B) 1pc



(C) 1pc

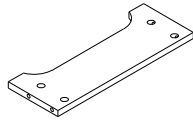


(3) 4pcs

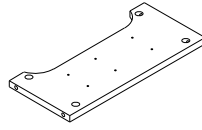


ASSEMBLY INSTRUCTIONS

5



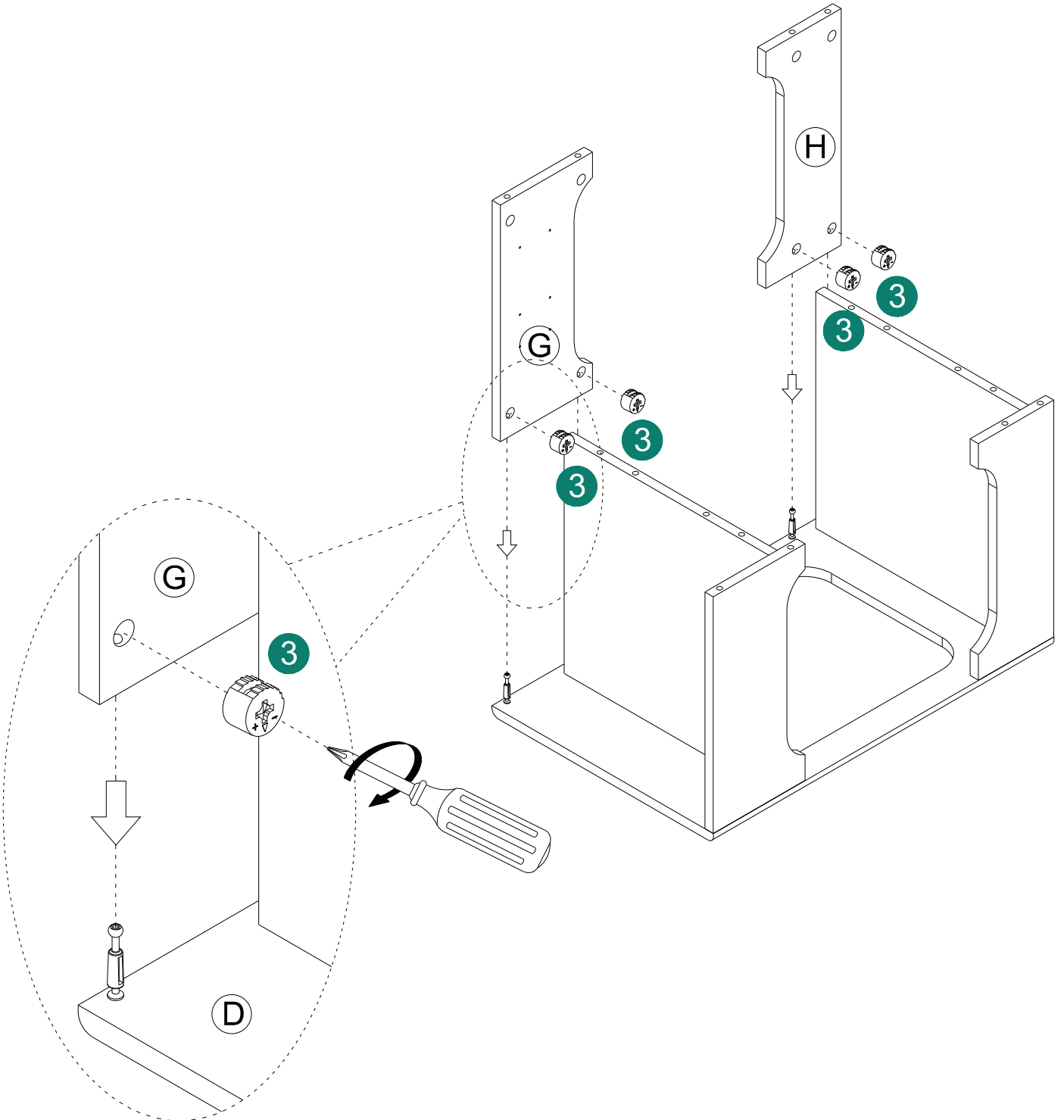
H 1pc



G 1pc

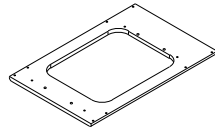


3 4pcs



ASSEMBLY INSTRUCTIONS

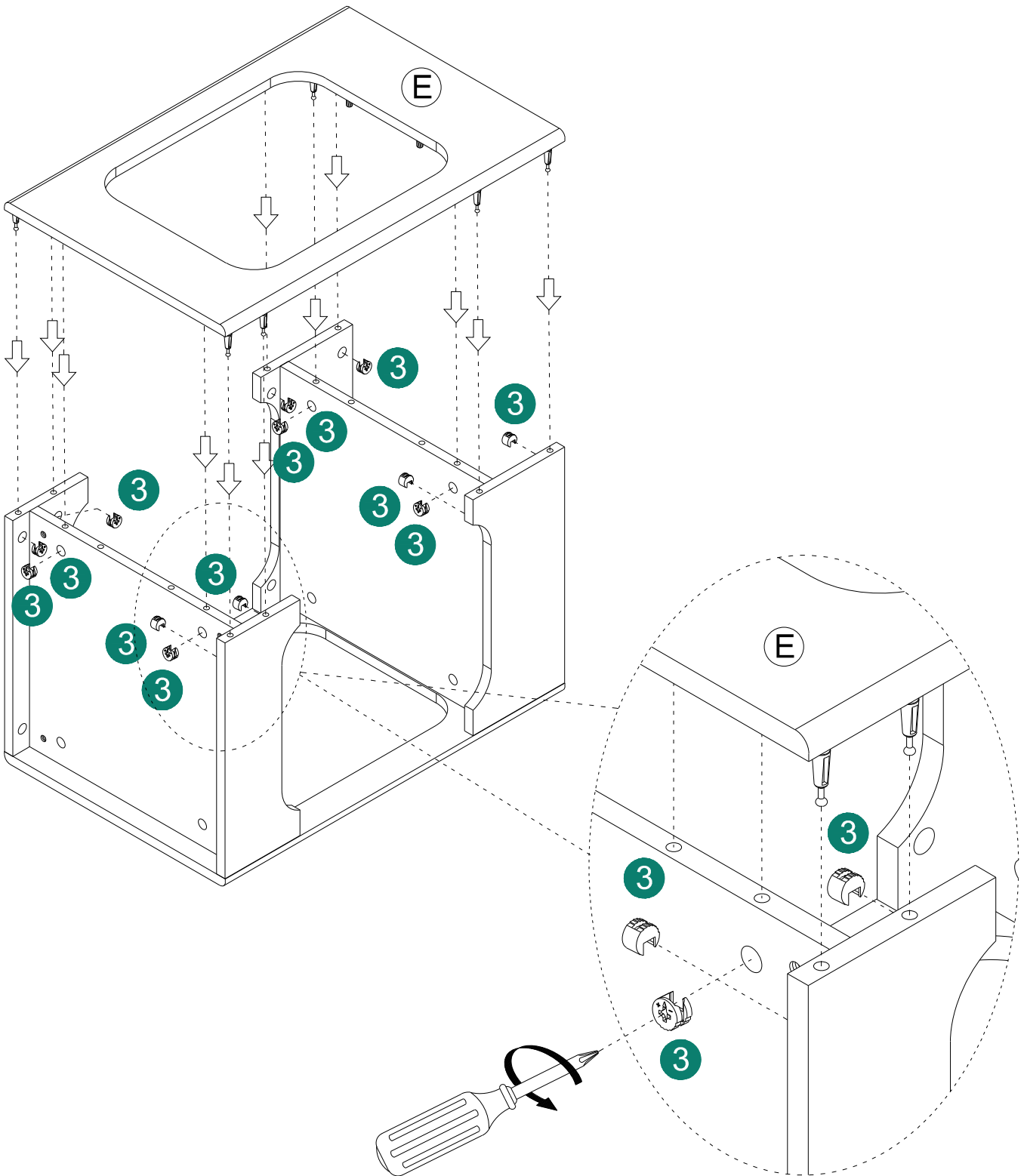
6



E 1pc



3 12pcs

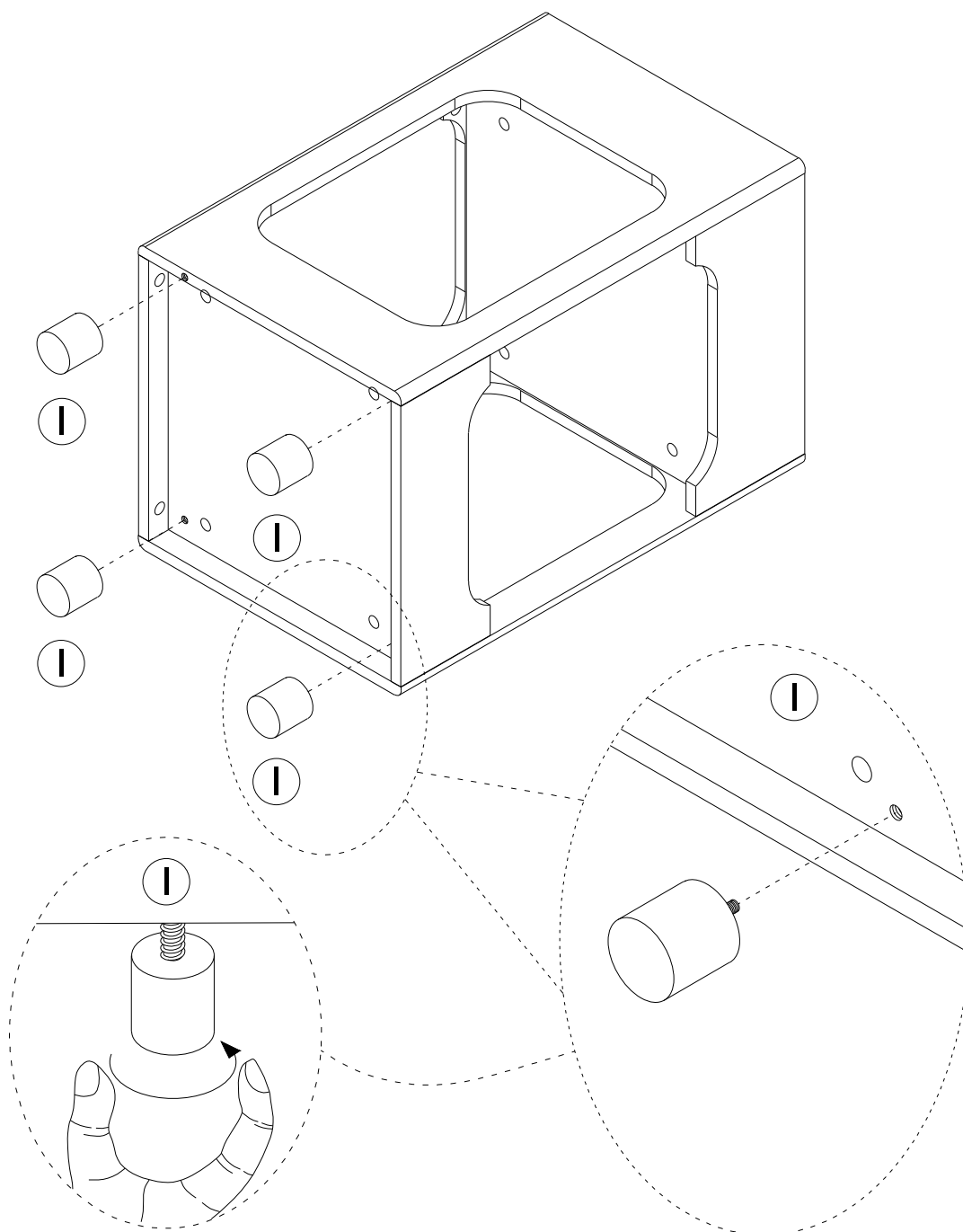


ASSEMBLY INSTRUCTIONS

7

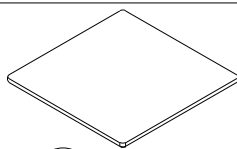


4pc

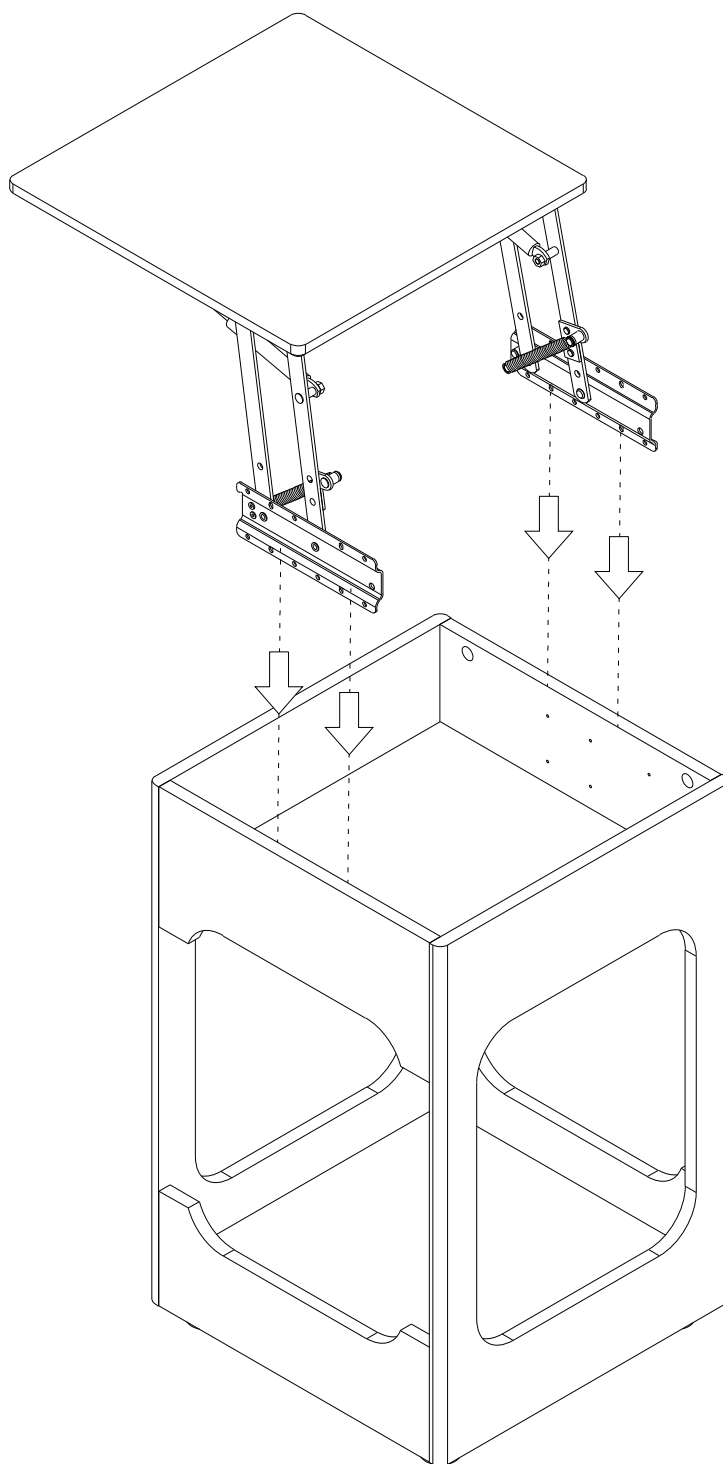


ASSEMBLY INSTRUCTIONS

8

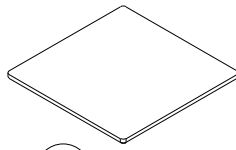


A 1pc



ASSEMBLY INSTRUCTIONS

9



A 1pc



4 12pcs

