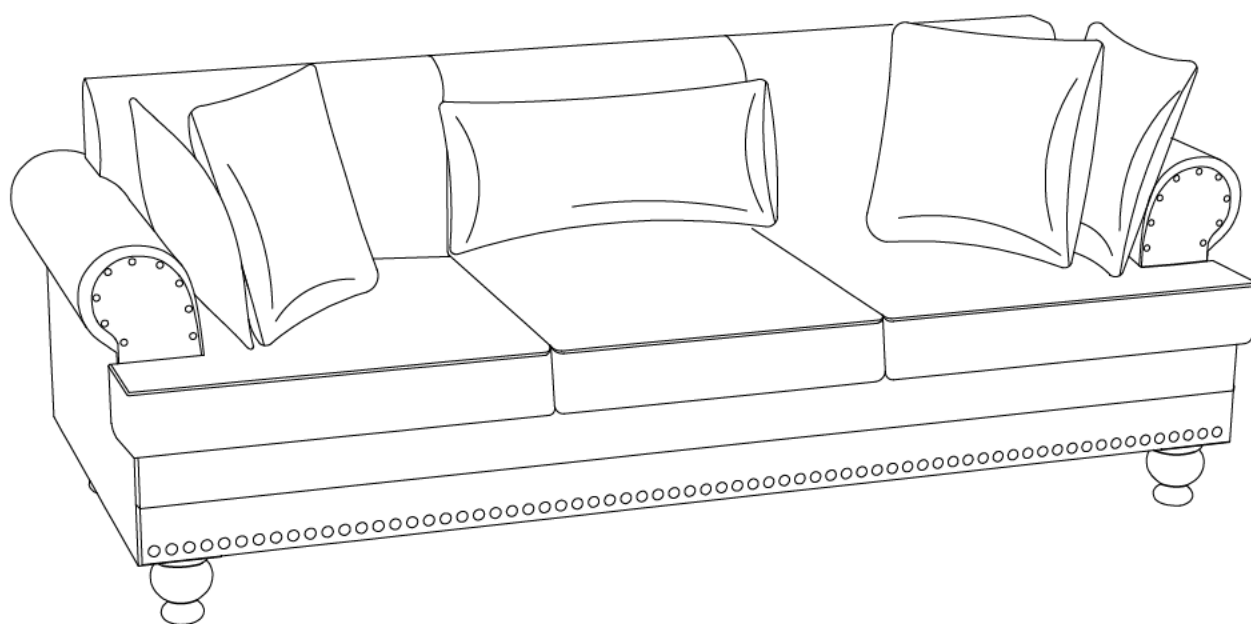
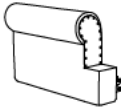

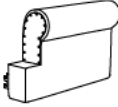



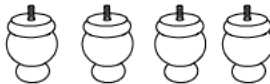

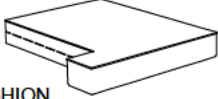

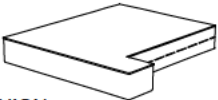

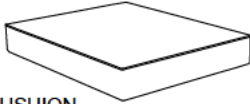


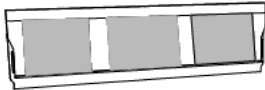





# SOFA

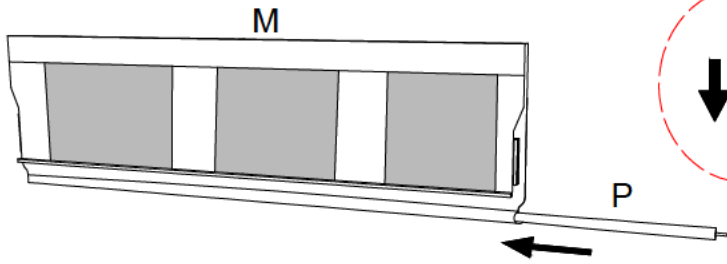
## ASSEMBLY

## INSTRUCTIONS

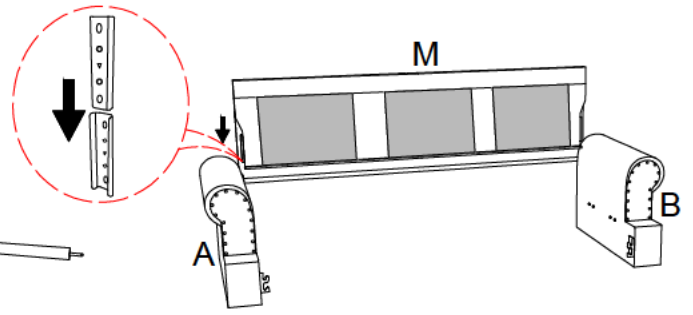


CARTON	ID	PARTS IDENTIFICATION	QTY	ID	HARDWARE PACKAGE	QTY
	A	LEFT ARM 	1PC	①	SELF TAPPING SCREWS 	2PCS
	B	RIGHT ARM 	1PC	②	SCREW WASHERS 	2PCS
	C	PILLOWS 	4PCS	③	HEXAGON CROSS WRENCH 	1PC
	D	SOFA LEGS 				
	E	PLASTIC WASHERS 	4PCS			
	F	LEFT SEAT CUSHION 	1PC	J	LUMBAR PILLOW 	1PC
	G	RIGHT SEAT CUSHION 	1PC	K	SIDE BACK CUSHIONS 	2PCS
		MIDDLE SEAT CUSHION 		L	MIDDLE BACK CUSHION 	1PC
		SEAT CUSHION BOTTOM PLATE 	3PCS			
		BACK FRAME 				
		FRONT PANEL 				
		SEAT SUPPORT BAR 				
		REAR SUPPORT BRACKET 	1PC			

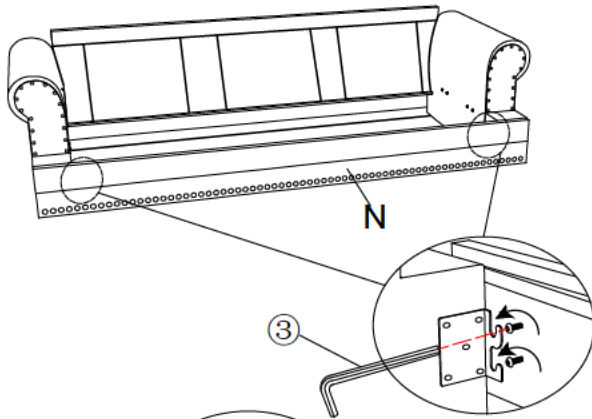
### STEP1



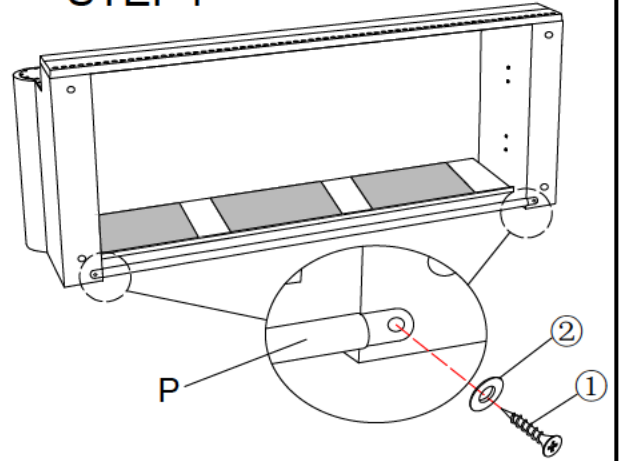
### STEP2



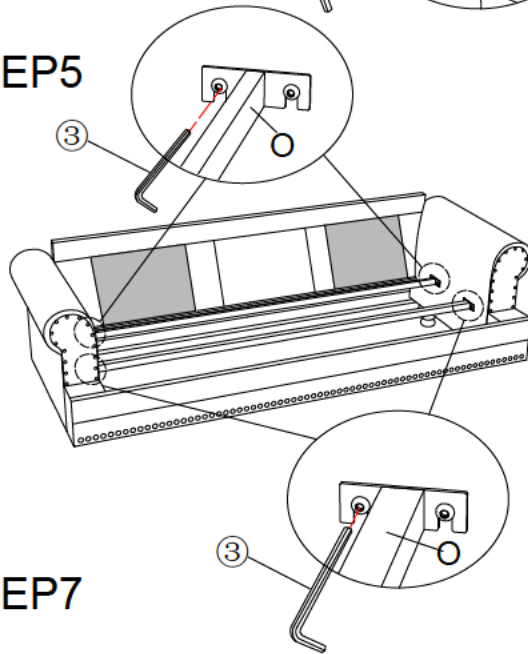
### STEP3



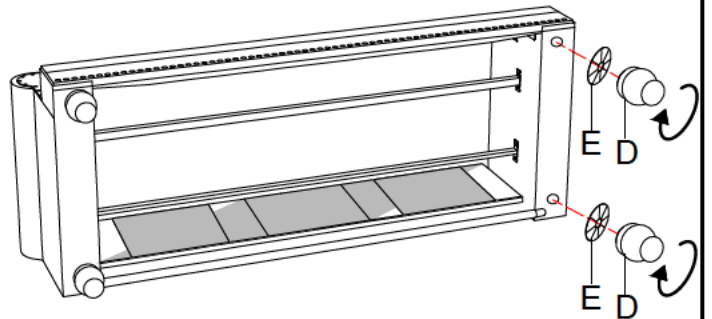
### STEP4



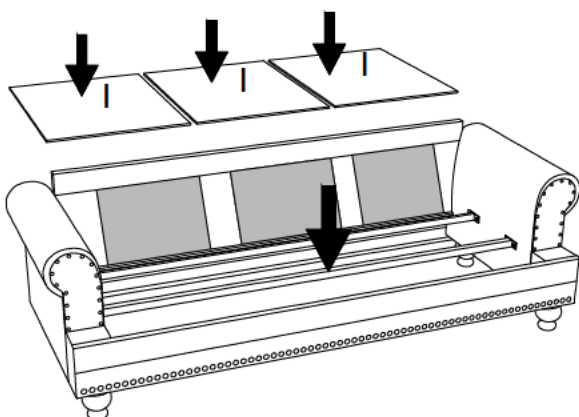
### STEP5



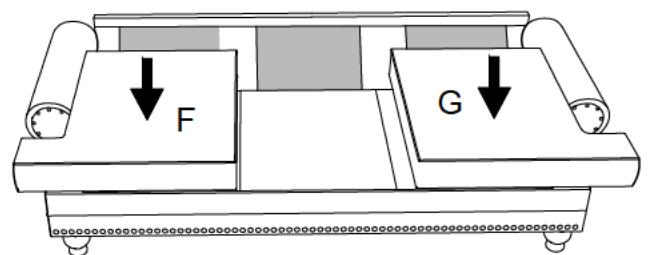
### STEP6



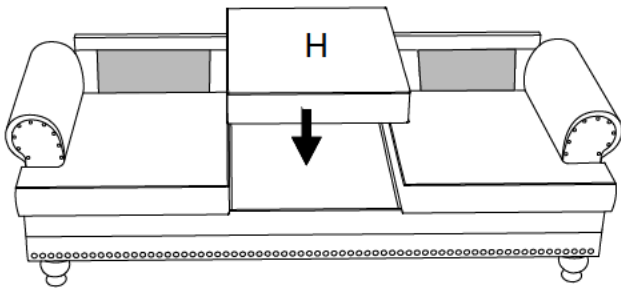
### STEP7



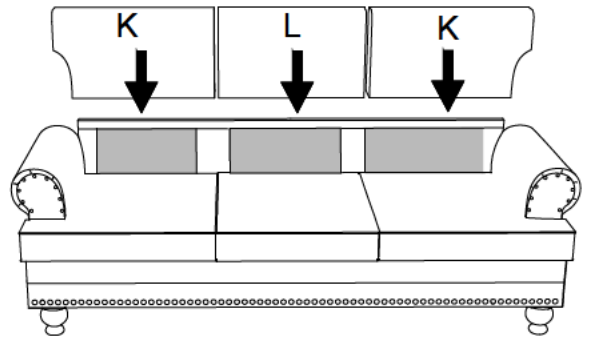
### STEP8



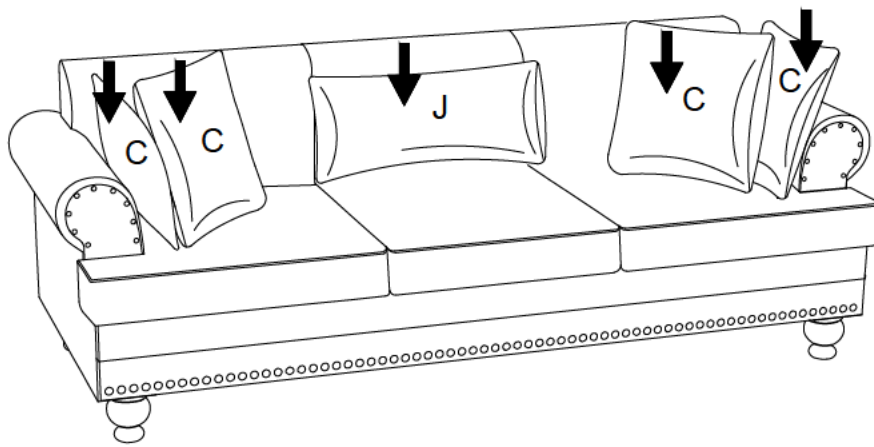
STEP9



STEP10



STEP11



# ASSEMBLY INSTRUCTIONS

## ASSEMBLY TIPS

1. Remove hardware from box and sort by size.
2. Please check to see that all hardware and parts are present prior to start of assembly.
3. Please follow attached instructions in the same sequence as numbered to assure fast & easy assembly.



### **WARNING!**

1. Don't attempt to repair or modify parts that are broken or defective. Please contact the store immediately.
2. This product is for home use only and not intended for commercial establishments.

**ASSEMBLY TIME: 20 MINUTES**

