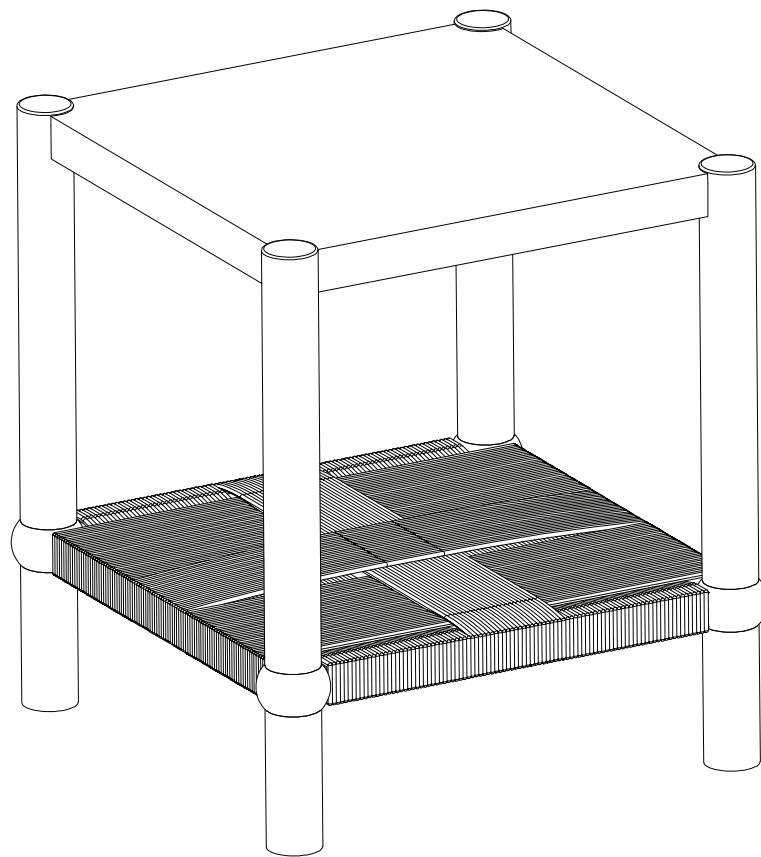


Let's build the

# River Side Table

SKU 30701



**Scan me!**

Free Lifetime  
Guarantee

 nathan james

26-0408-VN

# Ok, let's get rolling

This should be easy, just follow our instructions and you will be back to Netflix in no time.

## Estimated time for assembly



15:00

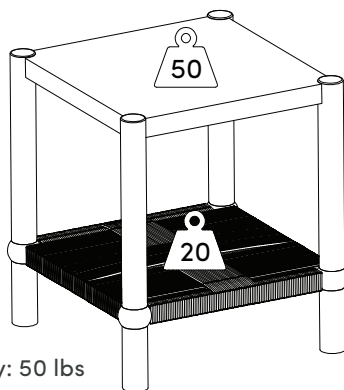
## What you need

- Some of your favorite bubbly or your preferred relaxant
- Use the packaging carton as a working surface to prevent product damage during assembly

Do not use a drill



## Weight Limitation



Tabletop Max. Capacity: 50 lbs

Shelf Max. Capacity: 20 lbs

Toll-free at 1-866-619-1004

Help@nathanjames.com

Nathanjames.com/help

## What's included

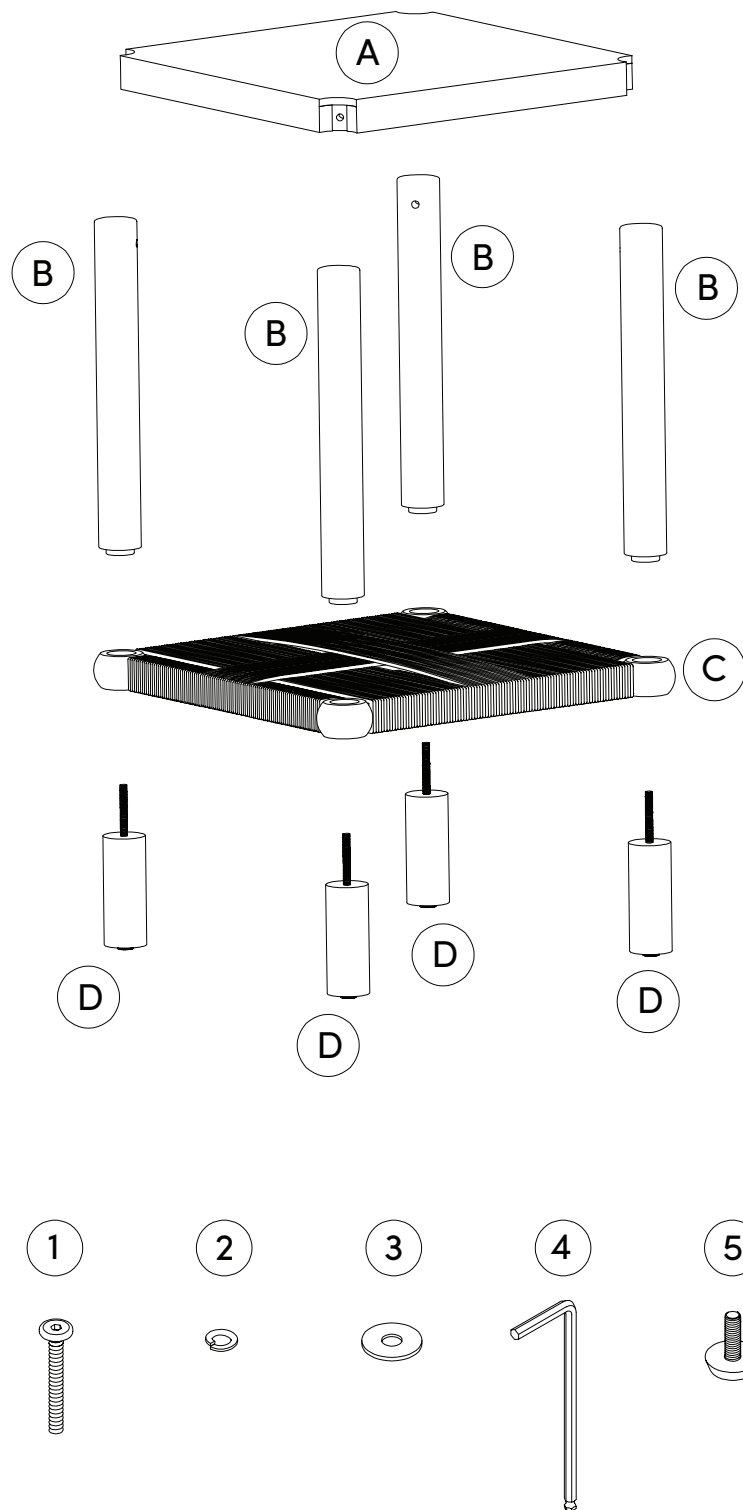
	Description	Qty
A	Tabletop	1
B	Leg (Top)	4
C	Shelf	1
D	Leg (Bottom)	4
1	Ø1/4" x 50mm Hex Button Head Bolt	4
2	Ø1/4" x 10mm Spring Washer	4
3	Ø1/4" x 19mm Flat Washer	4
4	Allen Key	1
5	Leveler (Extra)	2

Scan me!

Free Lifetime  
Guarantee



# The goods

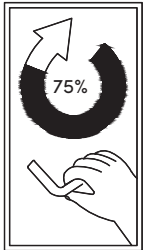
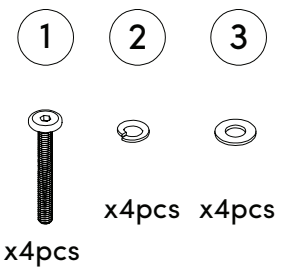


## IMPORTANT

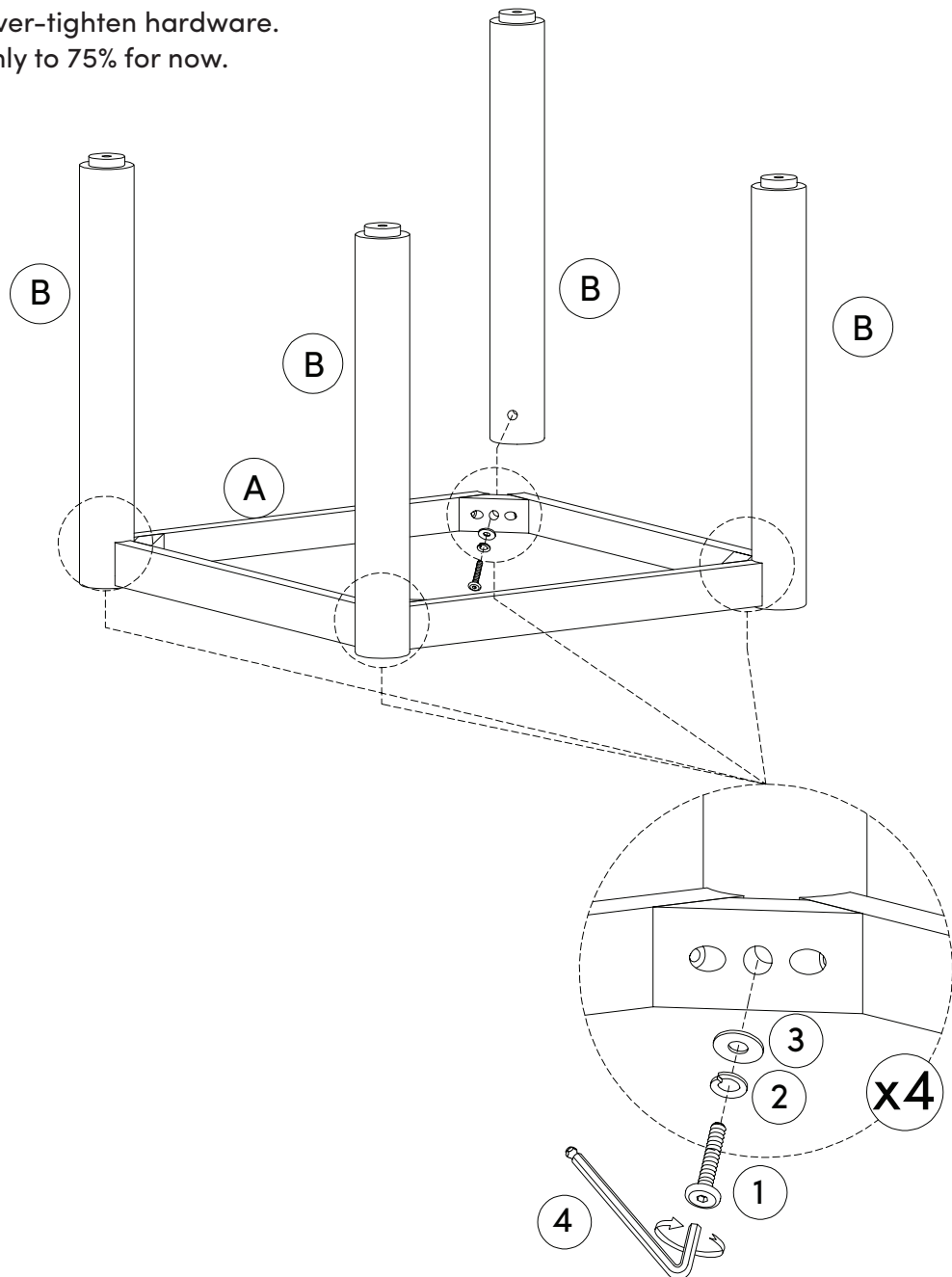
1. Do not tighten bolts / screws completely until all bolts / screws are lined up and inserted into holes.
2. Do not over-tighten screws and bolts to avoid stripping.
3. Please use hand tools to assemble this product. Do not use power tools.

# Step 1

Lay down the packaging or use your carpet as a protective work surface and let's get started!  
Using the Allen Key (4), secure the Legs (Top) (B) to the Tabletop (A) with four sets of  $\text{Ø}1/4'' \times 50\text{mm}$  Hex Button Head Bolts(1), Spring Washers (2), and Flat Washers (3).



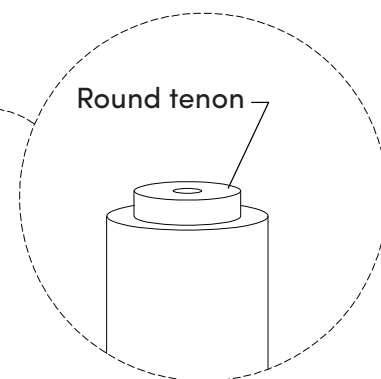
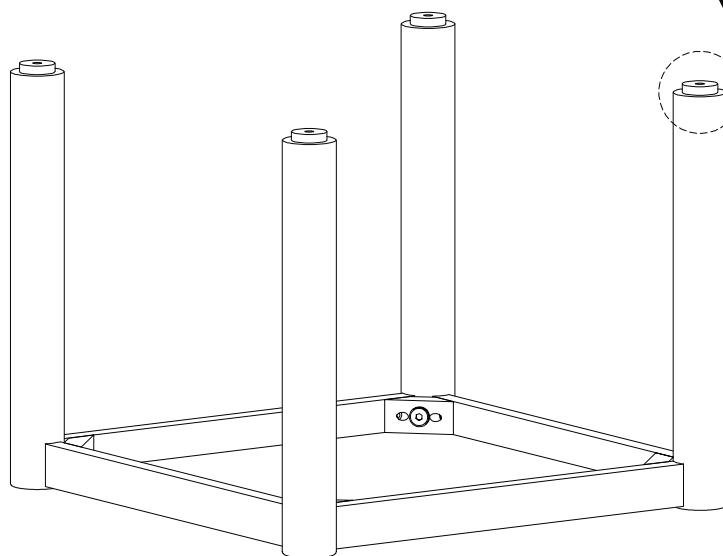
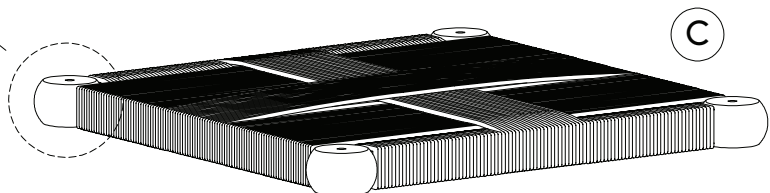
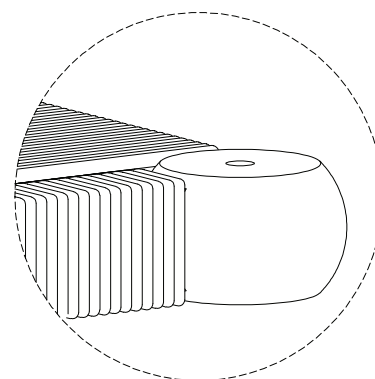
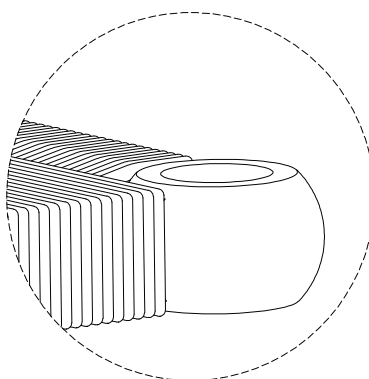
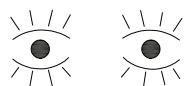
Do NOT over-tighten hardware.  
Tighten only to 75% for now.



# Step 2

Align the Shelf (C) with the round tenons on the Legs (Top) (B), as shown below, while ensuring it fits properly.

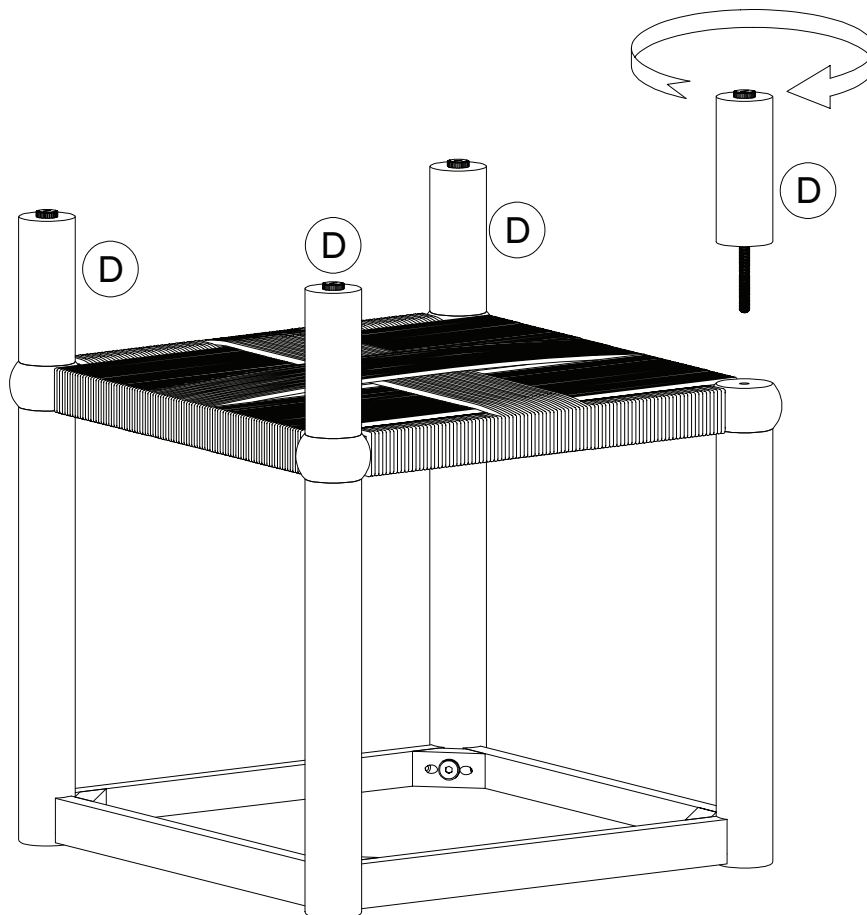
**Helpful Tip:**  
The side with the larger holes should face downwards in this step.



# Step 3

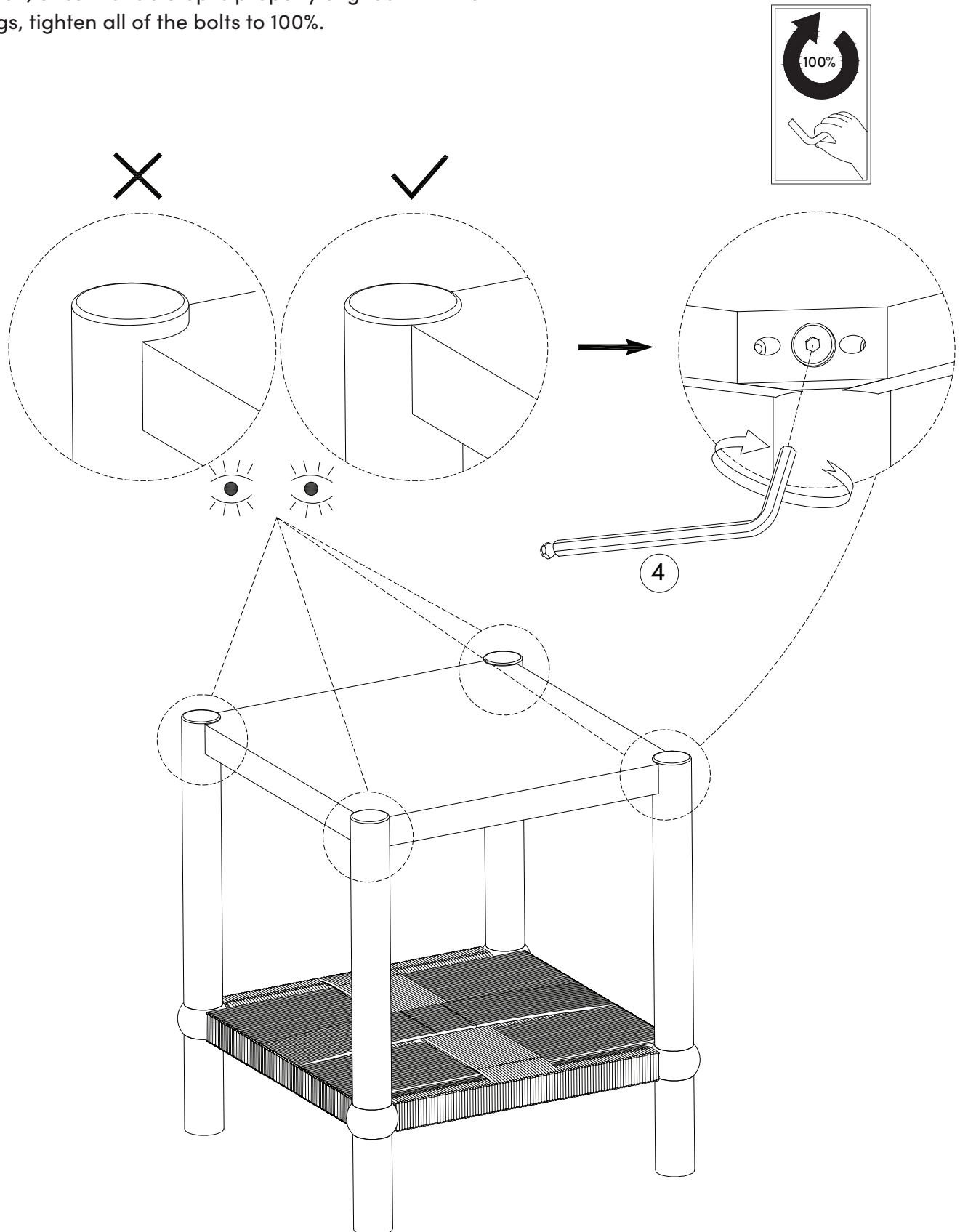
Secure the Legs (Bottom) (D) in place by screwing them in clockwise, as shown below.

**Helpful Tip:**  
Do not over-tighten the feet to avoid stripping.



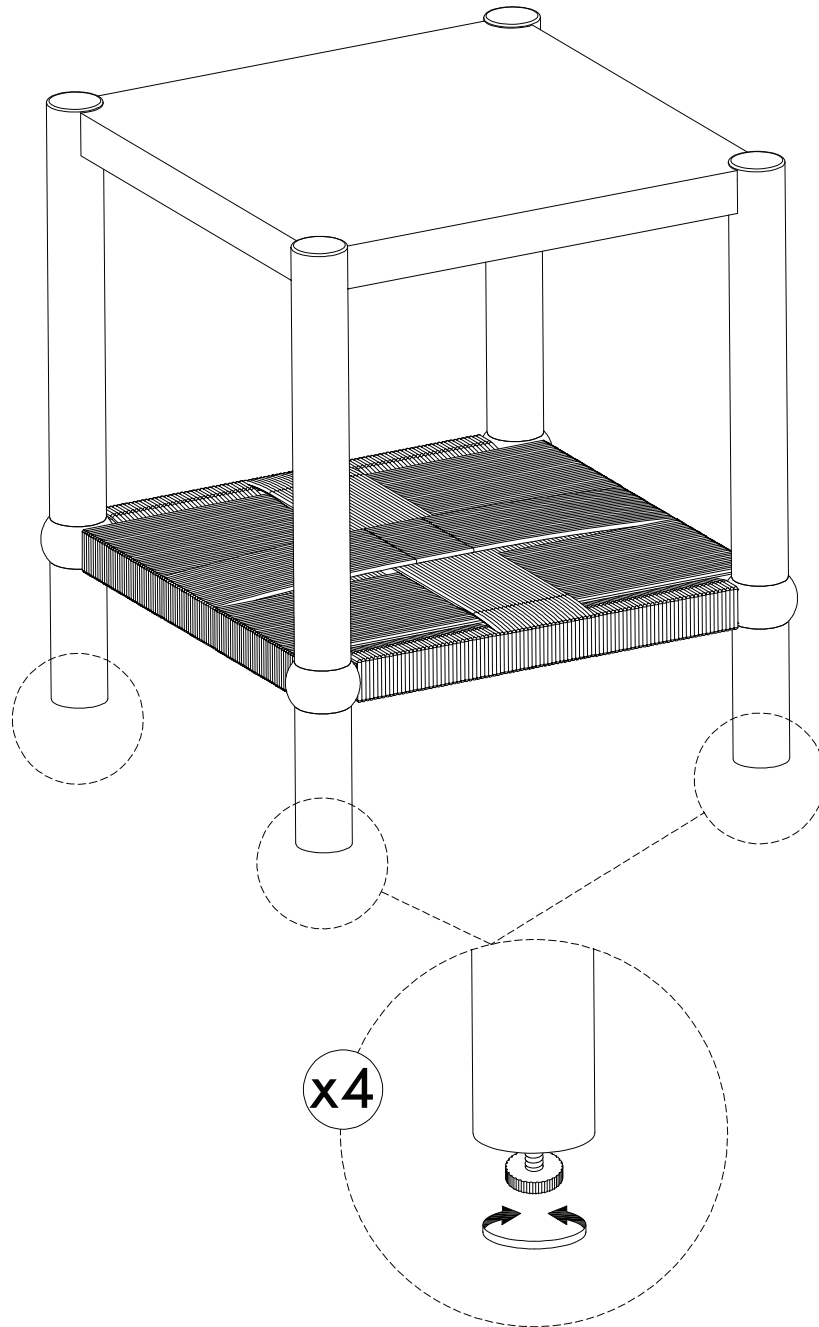
# Step 4

Carefully flip the side table upright on level surface. Then, once the tabletop is properly aligned with the legs, tighten all of the bolts to 100%.



# Step 5

Now go ahead and check that your River Side Table is level and not wobbly. If it's looking a little uneven, adjust the levelers on the feet until it's nice and level.



Wobbly or uneven  
Adjust the feet until stable

# No heartburn, when we handle the return

Give us a call **1-866-619-1004** or shoot us a message at **help@nathanjames.com** we will issue you a free replacement with **zero hassle**.

## Our way



Give us a call

---



Replacement

---



You

## Their way



Re-package item

---



Schedule pick up

---



Track package

---



Replacement

---



You

We really don't want you to go through the hassle of re-packaging your item and sending it back, because let's be honest...nobody has time for that.

# Safety first, fun later

We want your product to last as long as possible, so we recommend that you tighten the screws 2 weeks after assembly and for added safety, check the tightness of all screws every 2 months.

For proper care and treatment, please check our website at [NathanJames.com/products](http://NathanJames.com/products)

## Safe use of this product starts with you.

Use this product responsibly with the primary concern for your safety. Follow assembly instructions carefully and inspect product upon receipt and each use.

Nathan James and its parent companies cannot be held legally responsible for any injuries or death resulting from failure to follow instructions or improper use of this product.

## Do not modify the structure of this product in any way.

Our products have been tested to meet specific safety measures as they were originally intended to be sold. Any modifications will present the risk of creating significant safety issues which NJ will not be responsible for.

## Proper use

- DO NOT** use for commercial purposes
- DO NOT** frolic on table
- DO NOT** use table as foot stool
- DO NOT** leave spilled liquid on table
- DO NOT** use table if damaged
- DO NOT** make temporary repairs
- DO NOT** use outdoors

# We are only in business if you're happy

For starters, thanks for being you.

☎ Toll-free at 1-866-619-1004

✉ Help@nathanjames.com

🌐 NathanJames.com/help

We do our best to ensure your furniture arrives without any problems, but occasionally mistakes happen—as humans we are imperfect beings. In the event that a part is damaged or missing, we will be more than happy to provide you with replacement part(s) for free.

## Lifetime Guarantee

We believe in making things that last. That's why every product is backed by our Lifetime Guarantee. No hidden clauses. No runaround. If it breaks, we'll replace it—plain and simple. This isn't just a promise—it's our commitment to quality, and to you.

This product comes with a Lifetime Guarantee from the date of purchase. Please use your phone to scan the QR code on the cover of this booklet to register your product or visit <https://goo.gl/i9dk3q>



### Did we do alright? Please spread the love!

If you are happy with your product, tell your friends and family about us or even better leave us a review online. Spreading the word gives us the opportunity to make more people happy and keep our prices low for your next purchase.

*Brooke Burdon*

Founder, Nathan James