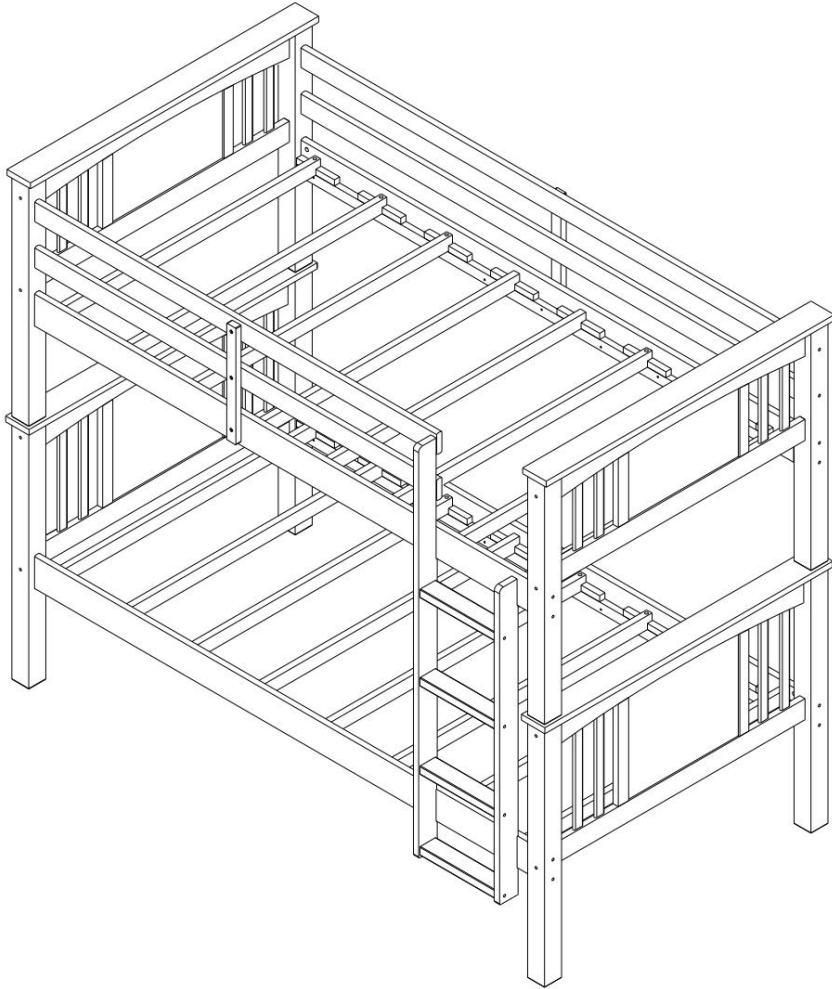


## WOODEN BUNK BUNK



**USE:**  
THIS INSTRUCTION MANUAL  
CONTAINS INFORMATION  
IMPORTANT SAFETY . BY  
PLEASE LÉALO AND CONSÉRVELO  
FOR FUTURE REFERENCE

**Lot Number:**  
(TAKEN FROM CARDBOARD)

\_\_\_\_\_

**Date of purchase:**

\_\_\_\_ / \_\_\_\_ / \_\_\_\_



## WARNINGS

**STRANGULATION HAZARD** - NEVER HANG OR TIE ITEMS ON THE BED THAT ARE NOT DESIGNED FOR USE WITH THE BED; FOR EXAMPLE, BUT NOT LIMITED TO, HOOKS, BELTS AND JUMP ROPES.

FOLLOW THE INFORMATION IN THE WARNINGS INSCRIBED ON THE STRUCTURE OF THE TOP BENCH AND ON THE CARTON. DO NOT REMOVE THE WARNING LABEL FROM THE BED.

THE MATTRESS BASE IS DESIGNED TO SUPPORT A MATTRESS WITHOUT THE NEED TO USE A POSITION MAINTAINING BOARD OR SPRING SUPPORT.

ALWAYS USE THE RECOMMENDED MATTRESS SIZE OR MATTRESS SUPPORT, OR BOTH, TO PREVENT THE POSSIBILITY OF FALLS OR CHILD BEING TRAPPED.

**USE ONLY MATTRESSES WITH COIL SPRINGS ON BOTH BENCHES. FAILURE TO FOLLOW THIS MAY CAUSE INJURY.**

USE ONLY MATTRESSES 74"-75" LONG AND 37 1/2" - 38 1/2" WIDTH IN THE TWO BUNKS. MAKE SURE THE THICKNESS OF THE MATTRESS DOES NOT EXCEED 6". THE SURFACE OF THE MATTRESS SHOULD BE AT LEAST 5" (127MM) BELOW THE TOP EDGE OF THE BUNK FRAME.

DO NOT ALLOW CHILDREN UNDER 6 YEARS OF AGE TO SLEEP ON THE TOP BENCH.

MAXIMUM WEIGHT: 165 LBS (75 KGS) PER LEVEL.

ALWAYS USE RAILINGS ON BOTH SIDES OF THE TOP BENCH. IF THE BENCH IS PLACED NEAR A WALL, THE RAIL COVERING THE LONG SIDE OF THE BENCH SHOULD BE PLACED AGAINST THE WALL TO PREVENT THE CHILD FROM BEING TRAPPED BETWEEN THE BED AND THE WALL (THIS APPLIES TO BENCHES WITH SINGLE LONG RAILS). SIDE).

CHECK THE BED PERIODICALLY AND MAKE SURE THAT THE FRAME, LADDER AND OTHER COMPONENTS ARE IN THE CORRECT POSITION, ARE NOT DAMAGED AND ALL JOINTS ARE PROPERLY ADJUSTED.

DO NOT ALLOW CHILDREN TO CLOWN ON OR UNDER THE BED AND PROHIBIT THEM FROM JUMPING ON IT.

DO NOT USE REPLACEMENT PARTS. CONTACT CUSTOMER SERVICE FOR REPLACEMENT PARTS.

THE USE OF A CANDLE SERVES AS A PRECAUTIONARY MEASURE FOR THE CHILD USING THE UPPER BENCH.

THE USE OF WATER MATTRESSES OR FLOATATION MATS IS PROHIBITED.

ALWAYS USE THE LADDER TO CLIMB TO OR GET OFF THE UPPER BENCH.

PROHIBIT MORE THAN ONE CHILD FROM CLIMBING ON THE TOP BENCH.

SAVE THESE INSTRUCTIONS FOR FUTURE REFERENCE.

# GRADES

READ EACH STAGE CAREFULLY BEFORE BEGINNING. IT IS VERY IMPORTANT THAT EACH STAGE IS CARRIED OUT IN THE CORRECT ORDER. IF THESE STAGES ARE NOT FOLLOWED IN ORDER, DIFFICULTIES MAY ARISE IN ASSEMBLY OF THE BED AND CAUSE INJURIES TO CHILDREN USING THE BED.

MUST BE ASSEMBLED BY AN ADULT.

MAKE SURE YOU HAVE ALL THE PARTS. WORK IN A SPACIOUS PLACE, PREFERRED ON A TAPESTRY.

TWO PEOPLE WILL BE NEEDED TO ASSEMBLE IT.

MOST OF THE WOOD PIECES ARE LABELED OR MARKED ON THE RUSTIC SIDE.

A CROSS SCREWDRIVER IS REQUIRED (NOT INCLUDED).

THE USE OF A RUBBER Mallet (NOT INCLUDED) IS RECOMMENDED TO MAKE THE WORK EASIER.

THE BED IS DESIGNED FOR CHILDREN FROM 6 YEARS TO EARLY ADOLESCENCE.

## CARE AND CLEANING

Wipe dust regularly with a soft, dry cloth. It is recommended not to use chemicals or wax on our lacquered furniture as this may damage the polish.

Keep solvents, alcohol, nail polish and nail polish removers away from all wood surfaces of furniture.

## MAINTENANCE

Check bolts and screws periodically and tighten if necessary.

## LIMITED WARRANTY

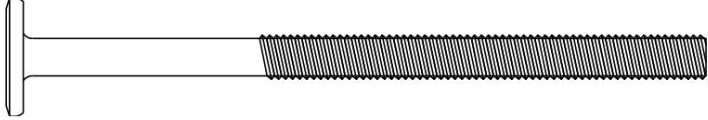
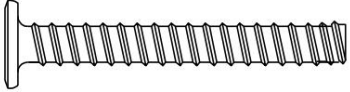
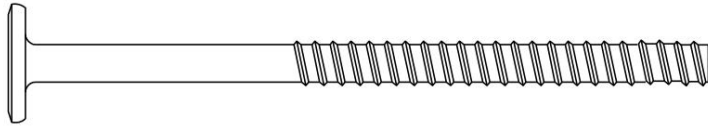


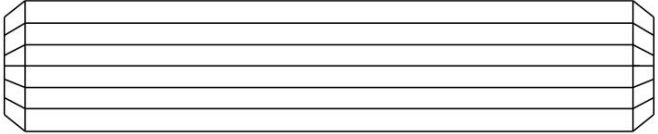
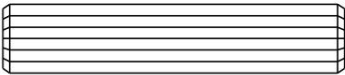
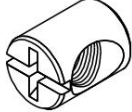
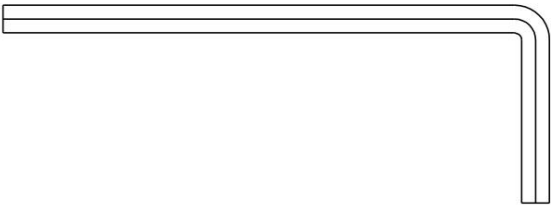
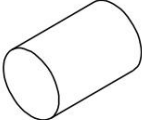
Dorel warrants that the product is free from defects in material and workmanship and undertakes to remedy any such defects. This warranty covers 1 year from the date of original purchase. This warranty is valid only upon presentation of proof of purchase. This is limited to the repair or replacement of defective furniture components and does not include any assembly work. This warranty does not apply to any product that has been improperly assembled, subject to misuse or abuse, or that has been altered or repaired in any way. This warranty gives you specific legal rights and you may also have other rights that vary from state to state.



**WARNING: If this product is damaged and/or certain parts are missing or broken, DO NOT USE.**

# WOODEN BUNK BUNK

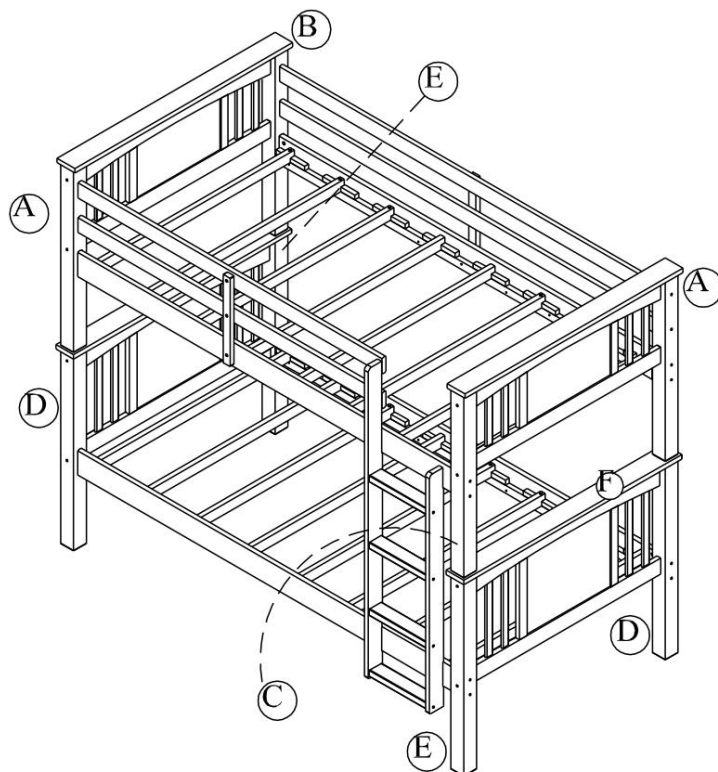
## LIST OF SCREWS AND ACCESSORIES

<p>1</p>  <p>~1/4" x 100mm</p>	<p>2</p>  <p>~6.5mm x 48mm</p>
<p>CONNECTOR BOLT (HEXAGONAL HEAD 4mm) - 16 PIECES</p>	<p>WOOD CONNECTOR BOLT (HEXAGONAL HEAD 4mm) - 14 PIECES</p>
<p>3</p>  <p>~6.5mm x</p>	<p>4</p>  <p>~4mm x 35mm</p>
<p>WOODEN CONNECTOR BOLT (HEAD HEXAGONAL 4mm) -22 PIEZAS</p>	<p>FLAT HEAD SCREWS WOOD - 24 PIECES</p>
<p>5</p>  <p>~4mm x 30mm</p>	<p>6</p>  <p>~19mm x 95mm</p>
<p>FLAT HEAD WOOD SCREWS - 6 PIECES</p>	<p>WOODEN DOGS 4 PIECES</p>
<p>7</p>  <p>~10mm x 50mm</p>	<p>8</p>  <p>~11.8mm x</p>
<p>WOODEN DOGS 34 PIECES</p>	<p>SPECIAL NUTS 16 PIECES</p>
<p>9</p> 	<p>10</p> 
<p>ALLEN LAVA - 1 PIECE</p>	<p>STOPPERS 24 PIECES</p>

# WOODEN BUNK BUNK


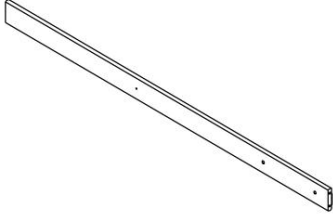
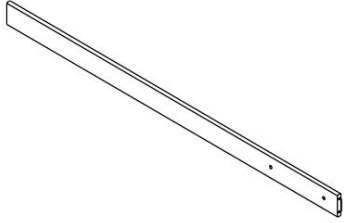
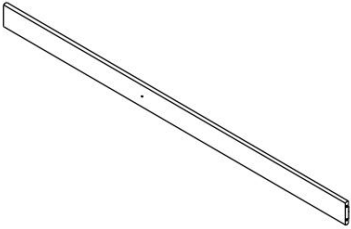
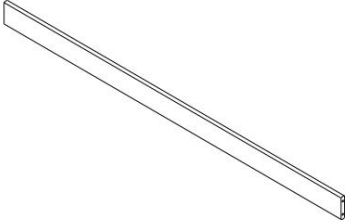
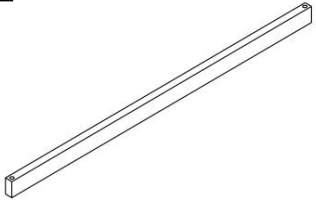
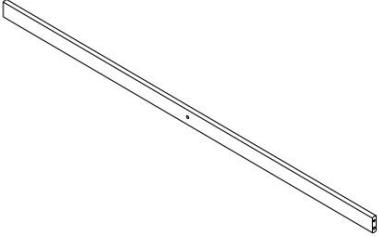
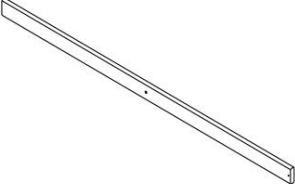
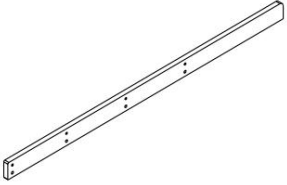
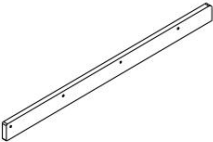
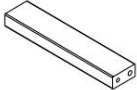
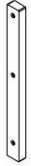
## PARTS LIST

A	B	C
UPPER LEGS -2 PIECES	UPPER LEG- 1 PIECE	UPPER LEG -1 PIECE
D	AND	F
LOWER LEGS -2 PIECES	LOWER LEGS-2 PIECES	UPPER CROSSERS OF HEADERS - 2 PIECES




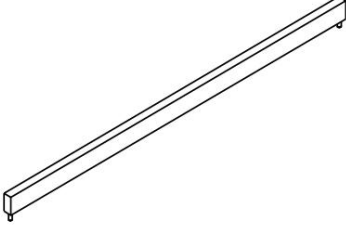


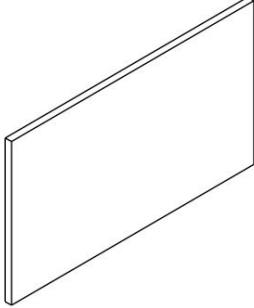

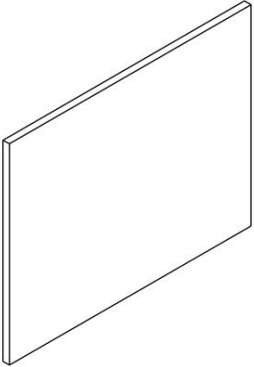
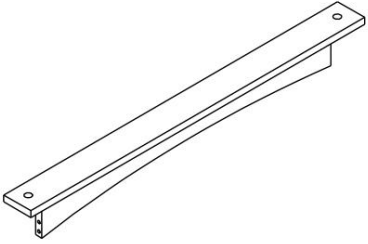
# WOODEN BUNK BUNK

## PARTS LIST

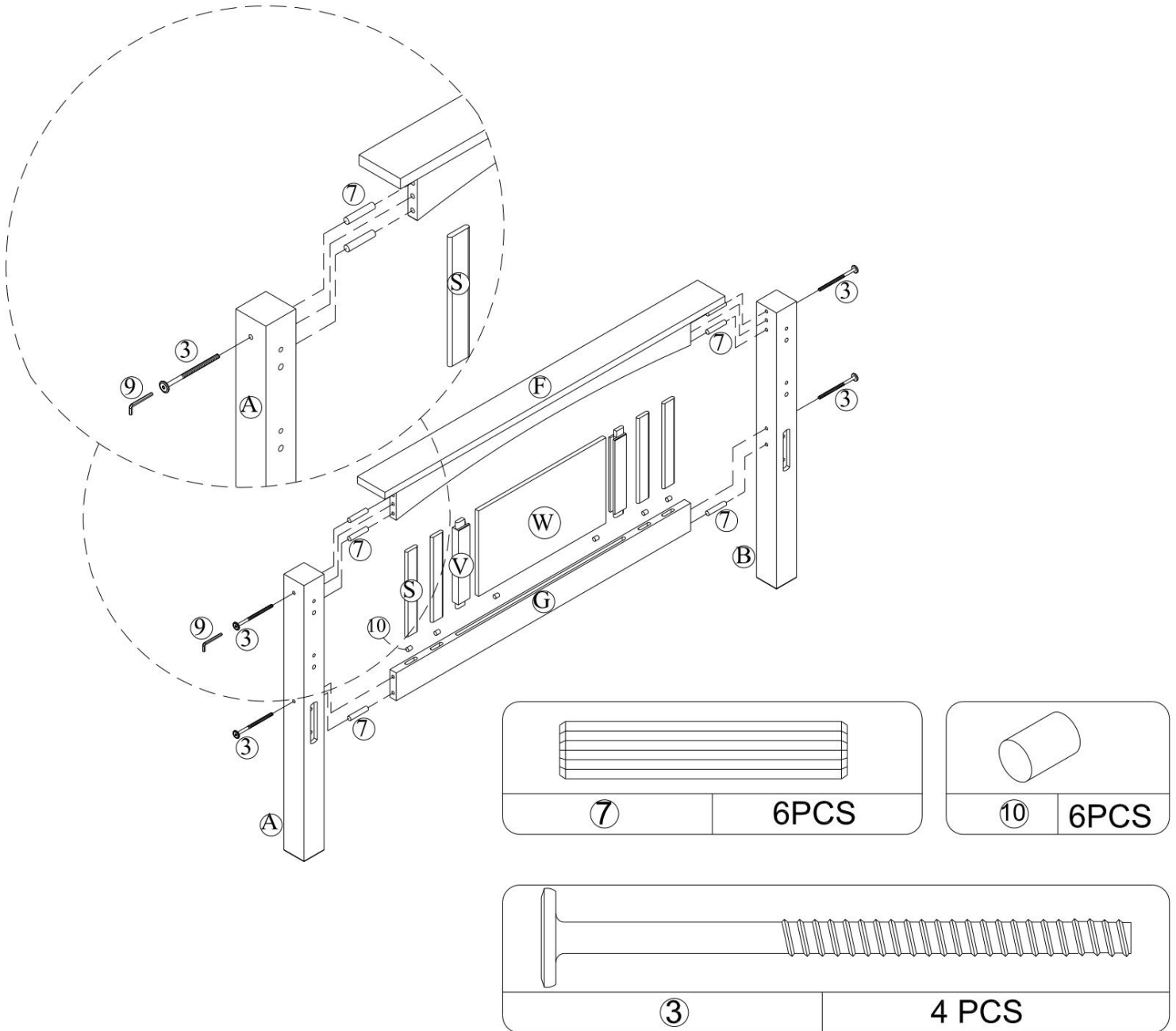
<p>G</p> 	<p>H</p> 	<p>I</p> 
<p>LOWER CROSSERS HEADERS – 4 PIECES</p>	<p>UPPER STRAW (WITH 3 HOLES) – 1 PIECE</p>	<p>LOWER SPARK (WITH 2 HOLES) - 1 PIECE</p>
<p>J</p> 	<p>K</p> 	<p>L</p> 
<p>UPPER STRAW (WITH 1 HOLE) – 1 PIECE</p>	<p>LOWER SPARK (WITHOUT HOLE) – 1 PIECE</p>	<p>BOARDS – 12 PIECES</p>
<p>M</p> 	<p>N</p> 	<p>O</p> 
<p>RAILING BEDS LONG – 2 PIECES</p>	<p>RAILING BEDS SHORTS – 2 PIECES</p>	<p>STAIR SIDE LONG – 1 PIECE</p>
<p>P</p> 	<p>Q</p> 	<p>R</p> 
<p>SHORT STAIR SIDE -1 PIECE</p>	<p>STEPS – 4 PIECES</p>	<p>RAILING LEGS – 2 PIECES</p>

# WOODEN BUNK BUNK

## PARTS LIST

<p><b>S</b></p> 	<p><b>T</b></p> 	<p><b>IN</b></p> 
<p>HEADER TABLES UPPER- 8 PIECES</p>	<p>BOARDS - 4 PIECES</p>	<p>BOTTOM HEADER TABLES 8 PIECES</p>
<p><b>IN</b></p> 	<p><b>IN</b></p> 	<p><b>X</b></p> 
<p>HEADER TABLES UPPER- 4 PIECES</p>	<p>UPPER HEADER PANEL 2 PIECES</p>	<p>BOTTOM HEADER TABLES 4 PIECES</p>
<p><b>AND</b></p> 	<p><b>WITH</b></p> 	
<p>LOWER HEADER PANEL 2 PIECES</p>	<p>UPPER CROSSERS LOWER HEADERS - 2 PIECES</p>	

# WOODEN BUNK BUNK



## STAGE 1

One of the top headboard rails (F) has a label on it, do not use it at this stage.

Insert the stops (10) into the lower header rails (G) as shown.

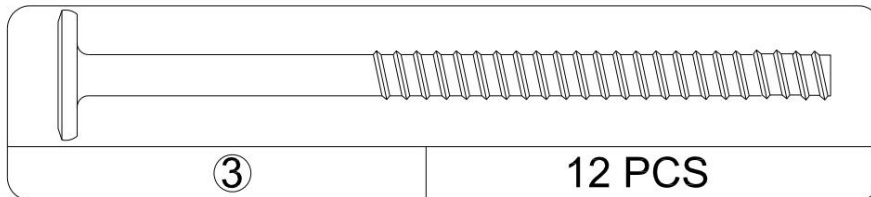
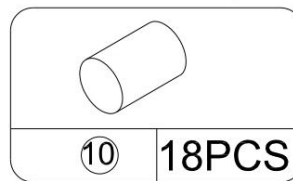
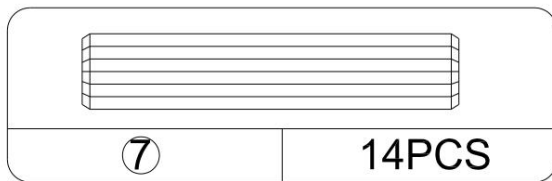
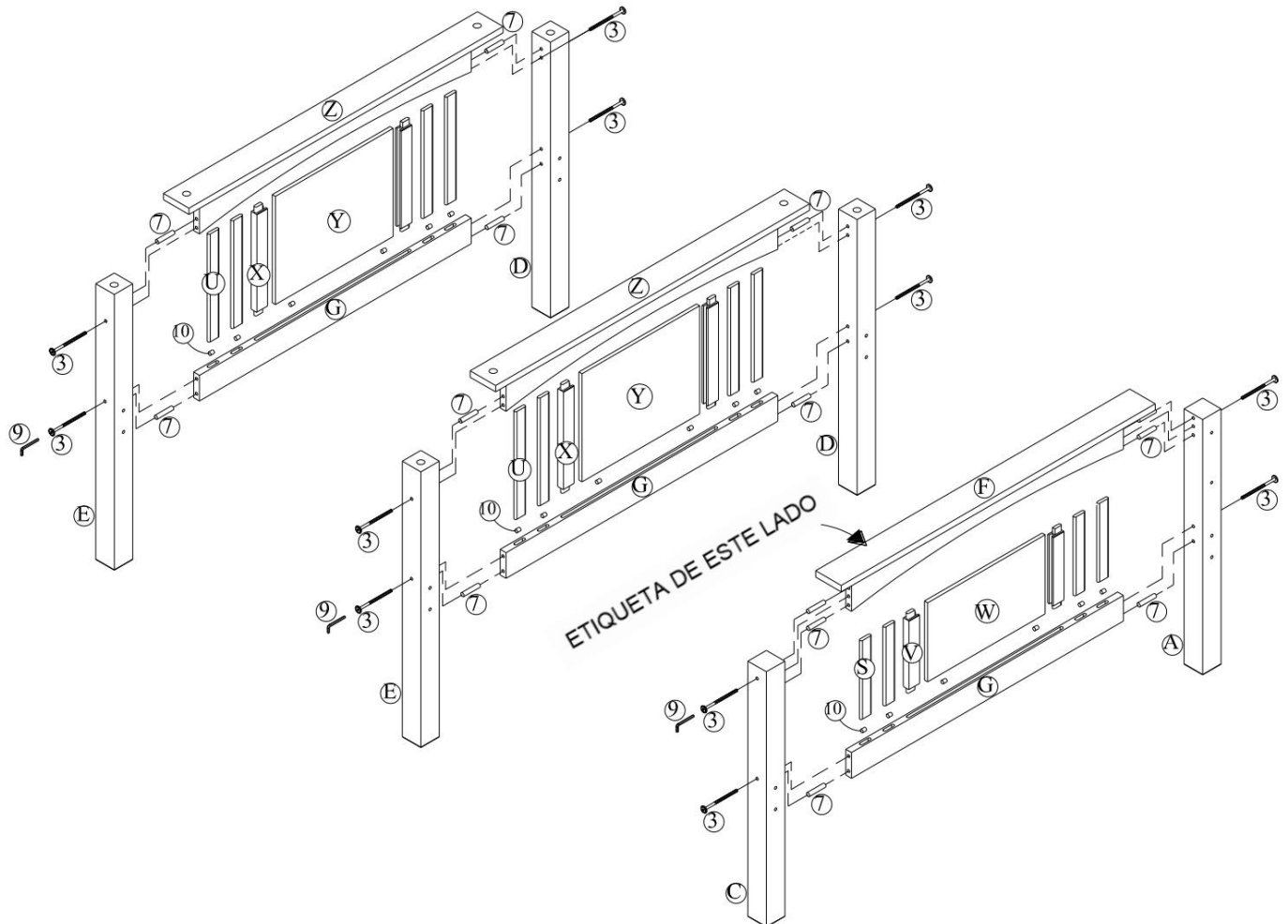
Insert the top header boards (S & V) and top header panel (W) into the bottom header rails (G) and push down until securely in place.

Attach the top header rail (F) to the top header boards (S & V) and top header panel (W).

Insert the wood dowels (7) into the ends of the top (F) and bottom (G) rails. Secure the upper legs (A) and (B) with connecting bolts (3) and Allen wrench (9) as illustrated.

**NOTES:** The top (F) and bottom (G) headboard rails may need to be moved closer together or further apart to align the wood dowels (7) with the holes in the top legs (A and B).

# WOODEN BUNK BUNK

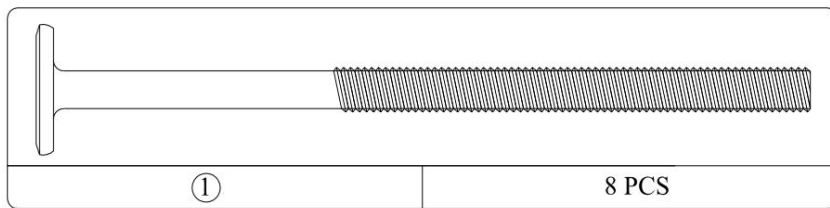
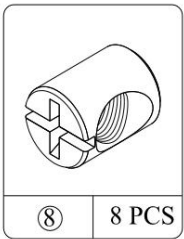
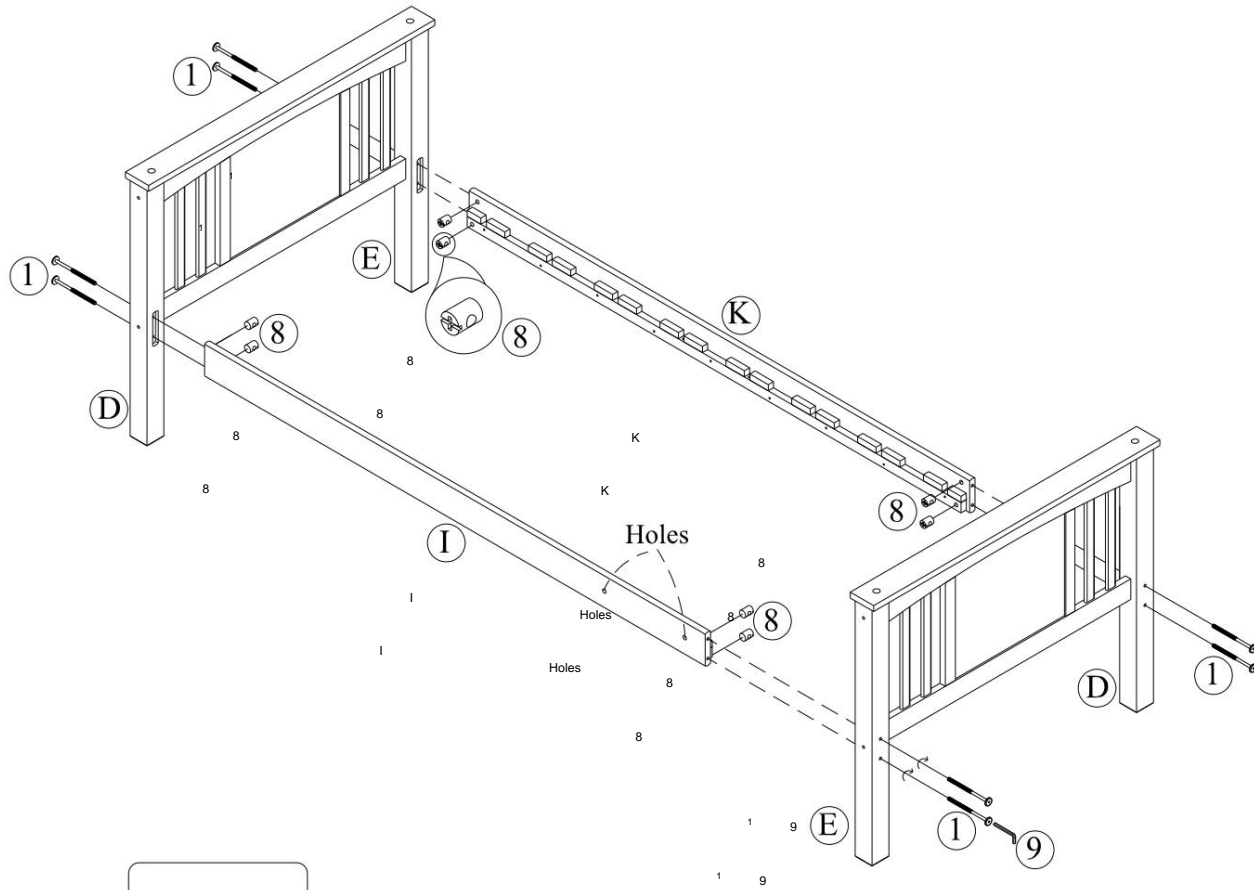


## STAGE 2

Repeat the previous step with the other three sets of headboards and footboards. Be sure to put the bottom legs (D) and (E) together in a pair; (E) and (D) in another; and the upper legs (C) and (A) in the last pair.

NOTE: Be sure to use the top headboard rail (F), the one with the label, between the top legs (A) and (C). See illustration to verify label orientation.

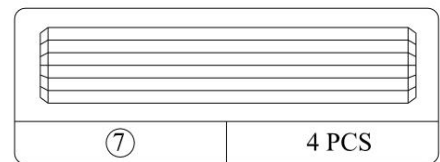
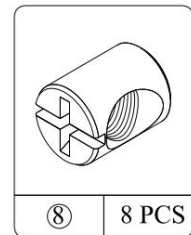
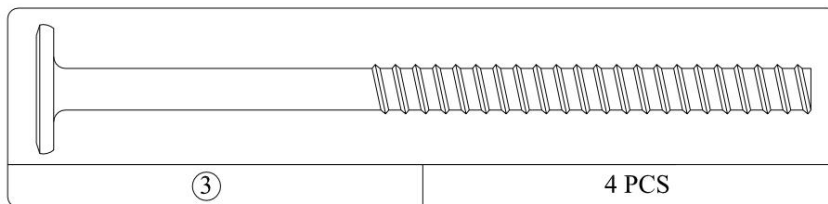
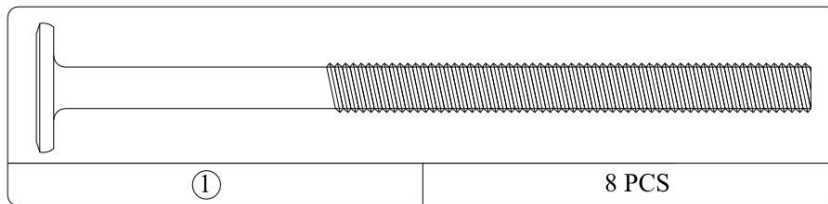
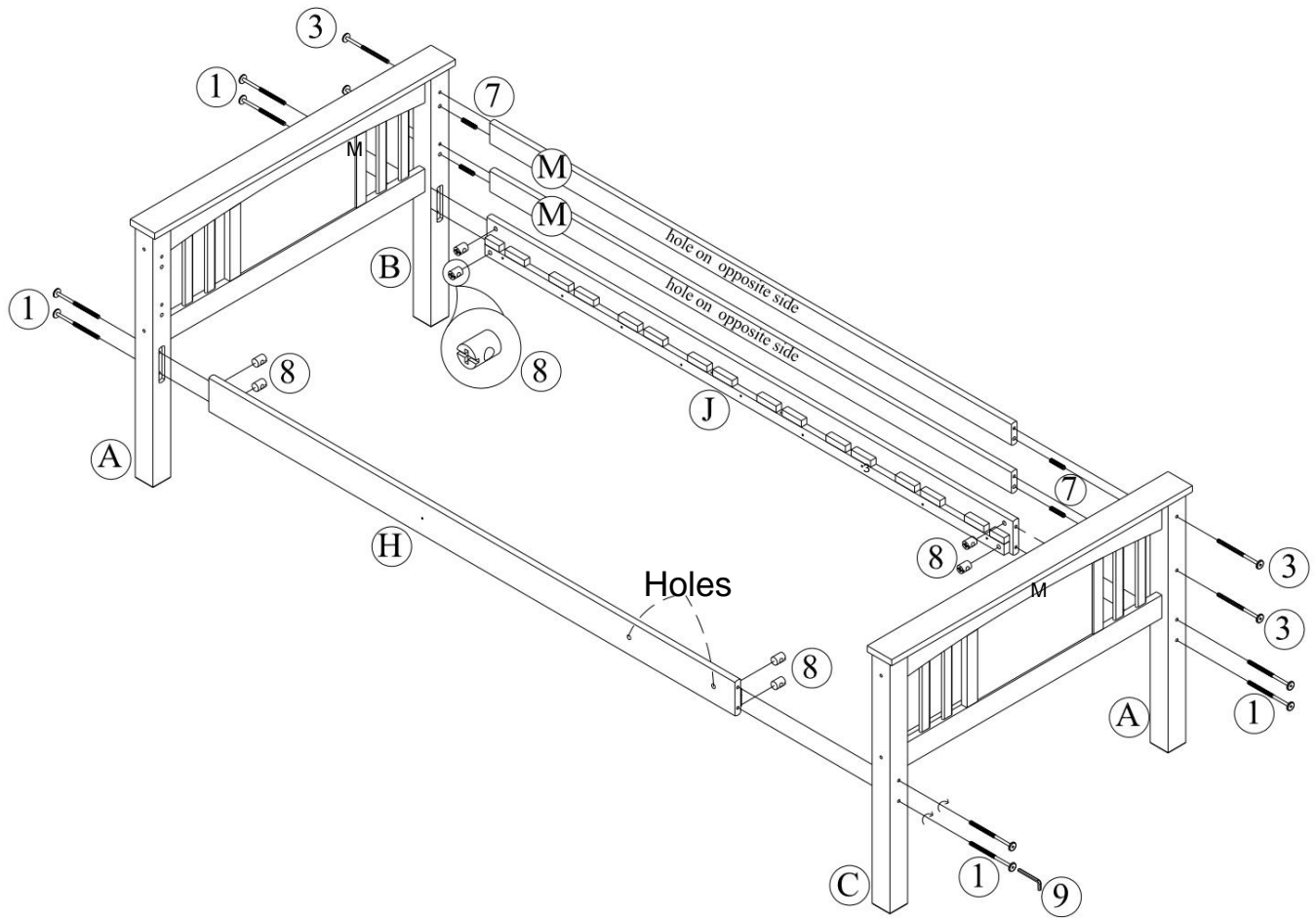
# WOODEN BUNK BUNK



## STAGE 3

Attach the two headrests with the lower legs (D and E) to the lower rails (I and K) using connector bolts (1) and special nuts (8) as illustrated.  
Note: This is the bottom bunk.

# WOODEN BUNK BUNK



## STAGE 4

Insert a wooden dowel (7) into each end of the railing stringers (M).

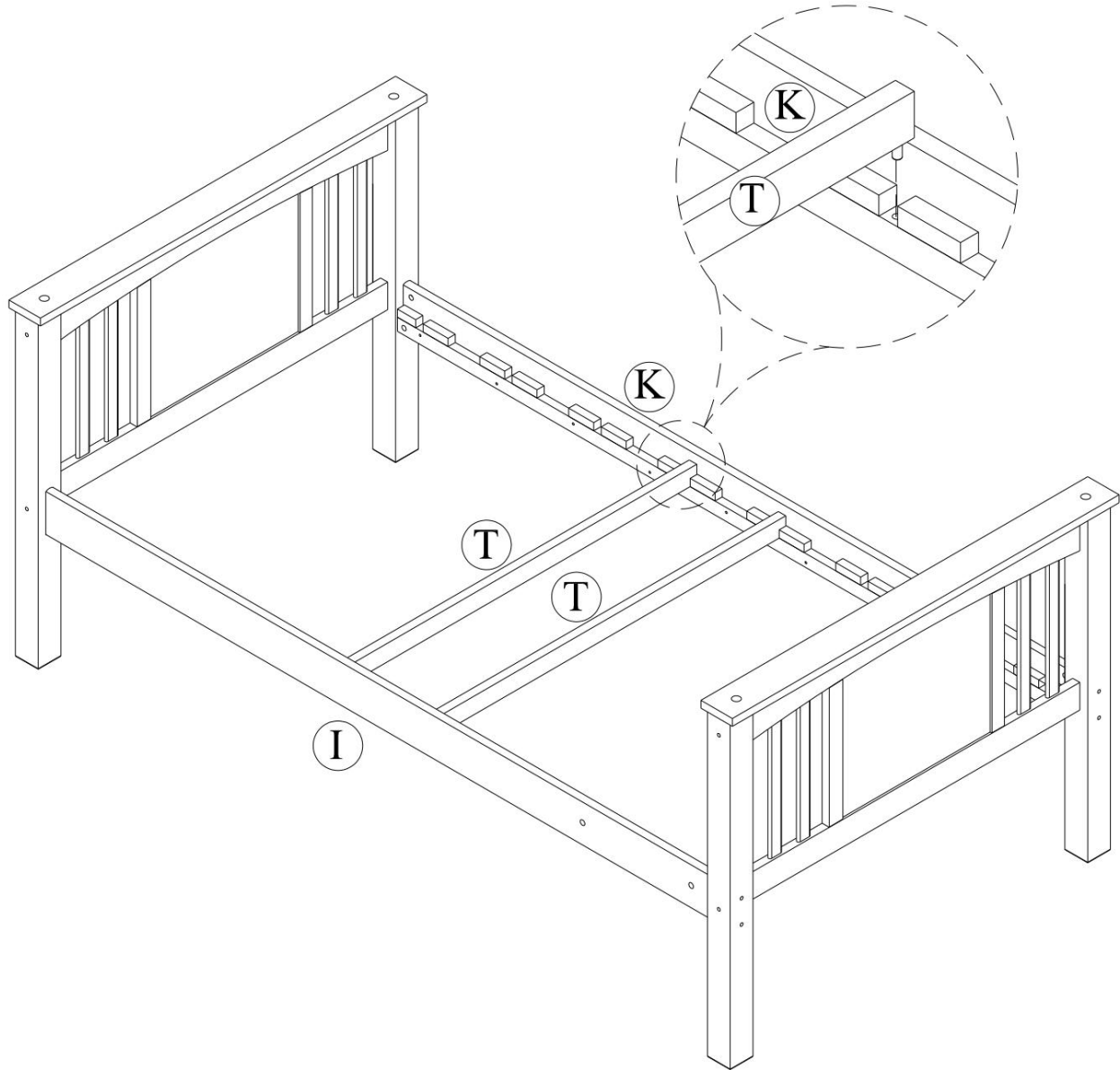
Attach the two railing stringers (M) and the two top bunk stringers (H and J) to the top legs (A and B) and (A and C) as shown.

Use the connector bolts (1) with the special nuts (8) to adjust the upper rails (H and J). Use the connector bolts (3) to adjust the handrail stringers (M).

Use Allen wrench (9) to tighten all connector bolts.

Note: This is the top bunk.

## WOODEN BUNK BUNK

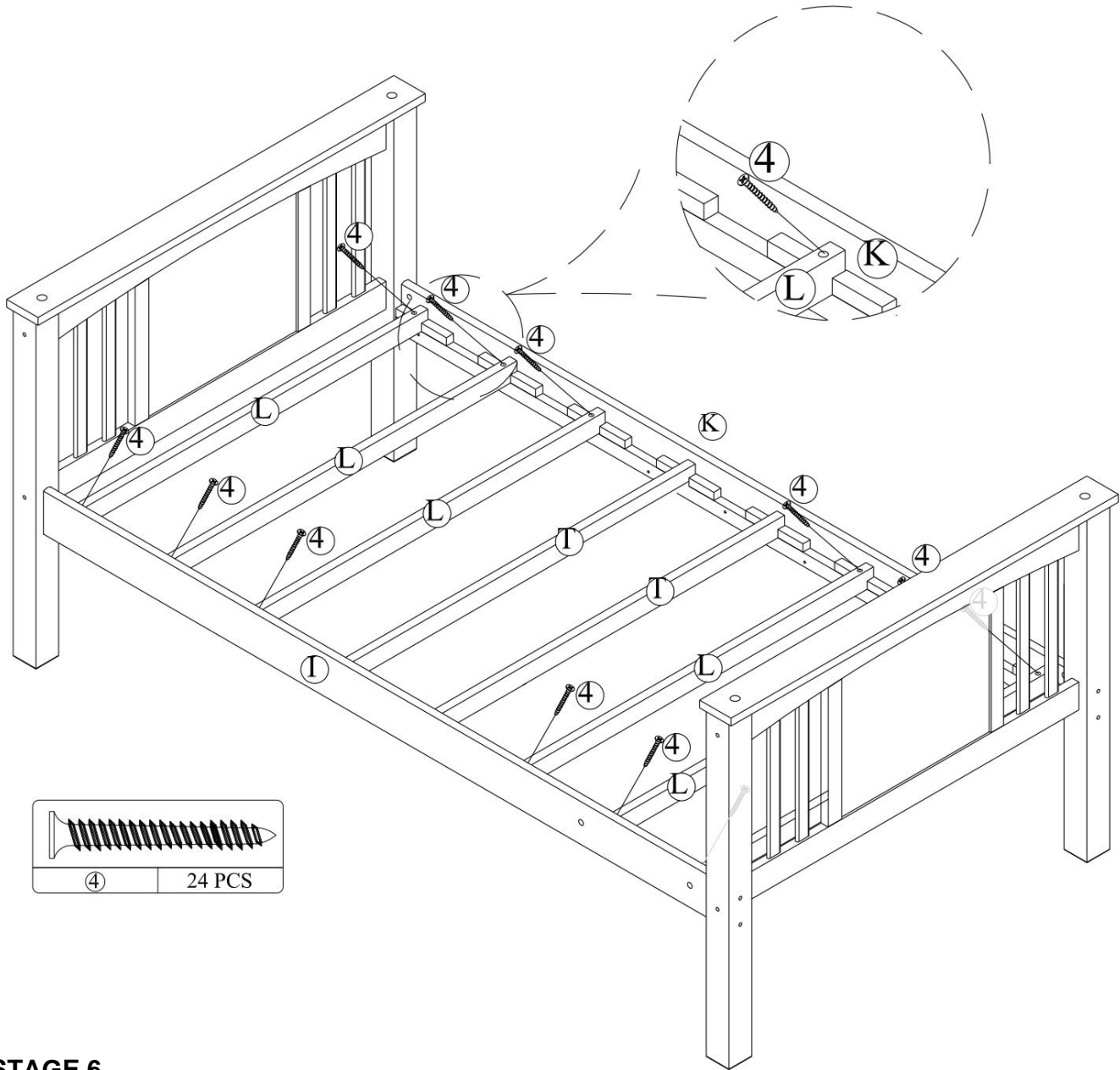


### STAGE 5

Insert two boards (T) into the bottom side center slots of the stringers (I and K) of the bottom bunk, as shown.

NOTE: Once placed, there should be three empty spaces left on each side.

# WOODEN BUNK BUNK



## STAGE 6

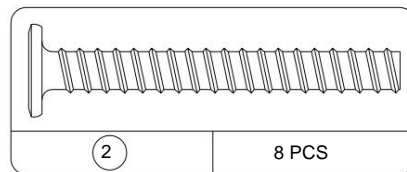
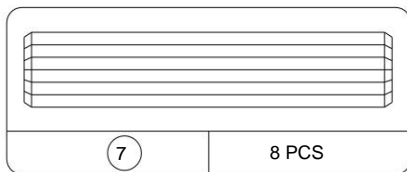
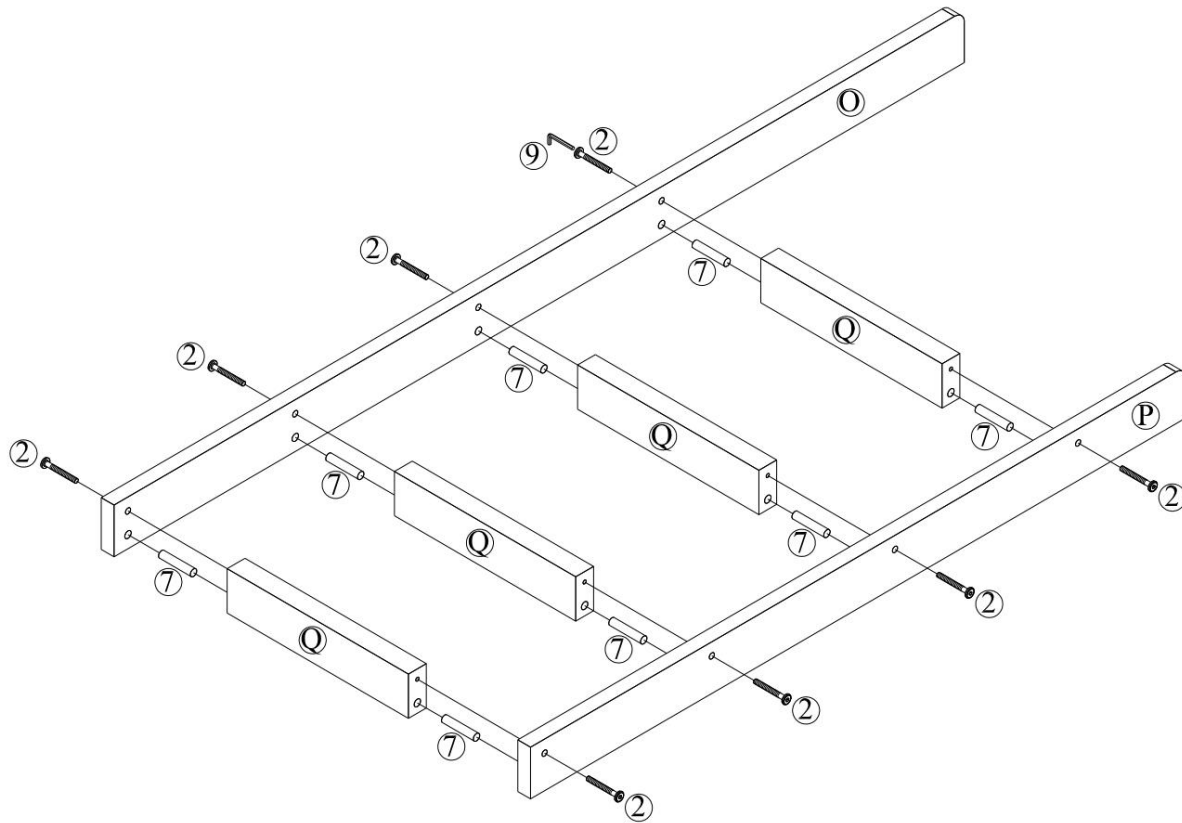
Insert boards (L) into the remaining holes in the bottom rails (I and K) on the bottom bunk.  
Attach the rest of the boards (L) to the bottom rails (I and K) with flat head screws (4) using a Phillips head screwdriver (not included).  
Repeat steps 5 and 6 to attach boards (T and L) to the top bunk.

**NOTE:** Boards (T and L) are placed between two blocks of wood.

**NOTE:** If any of the boards (L) are not perfectly flat, be sure to position them so that the curve of the board (L) is in the middle and the ends are facing down.



# WOODEN BUNK BUNK

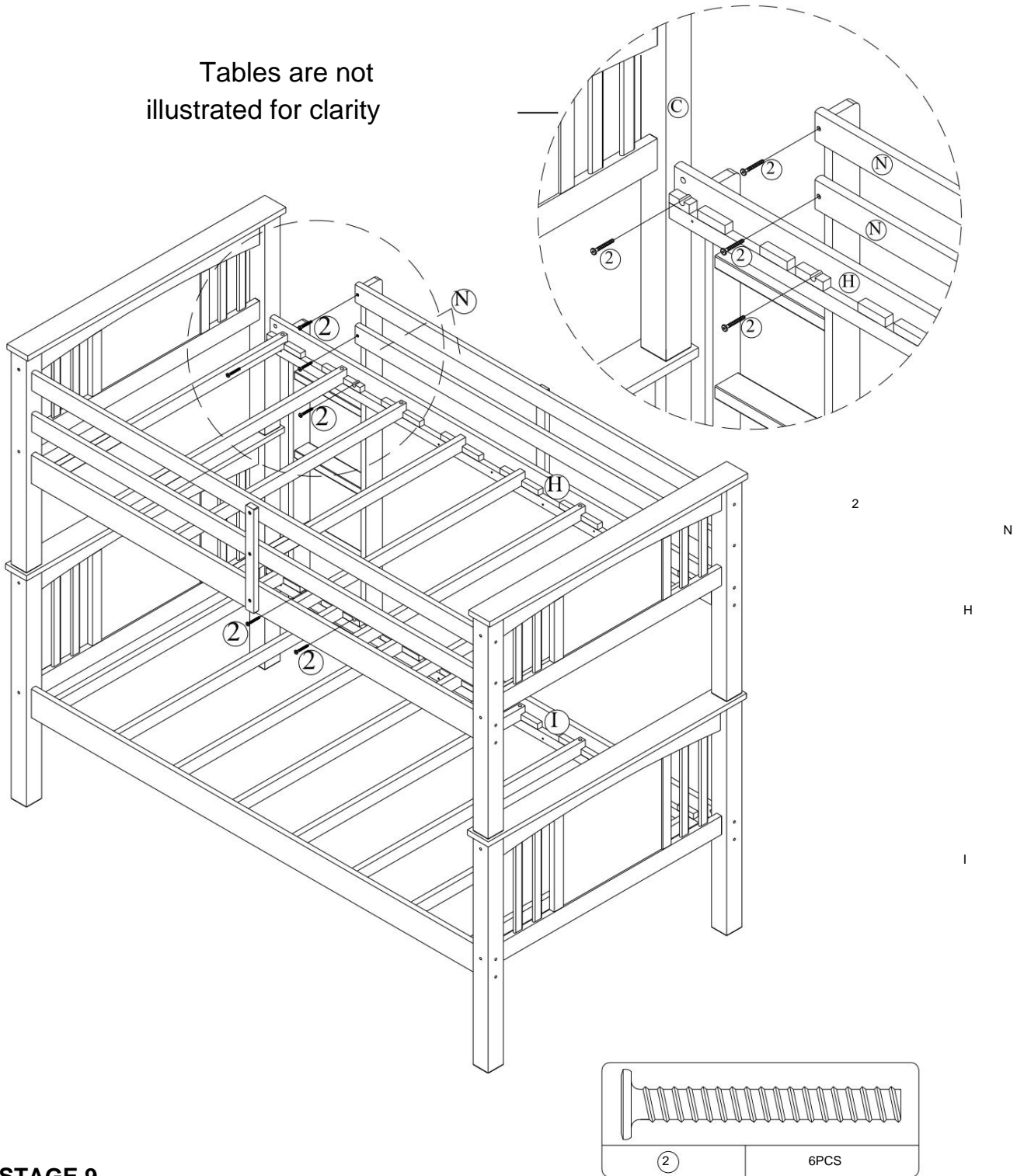


## STAGE 8

Assemble the ladder by inserting the wooden dowels (7) into the ends of the rungs (Q) and screwing the long side of the ladder (O) and the short side of the ladder (P) to the rungs (Q) with connector bolts (2) and Allen key (9).

# WOODEN BUNK BUNK

Tables are not illustrated for clarity

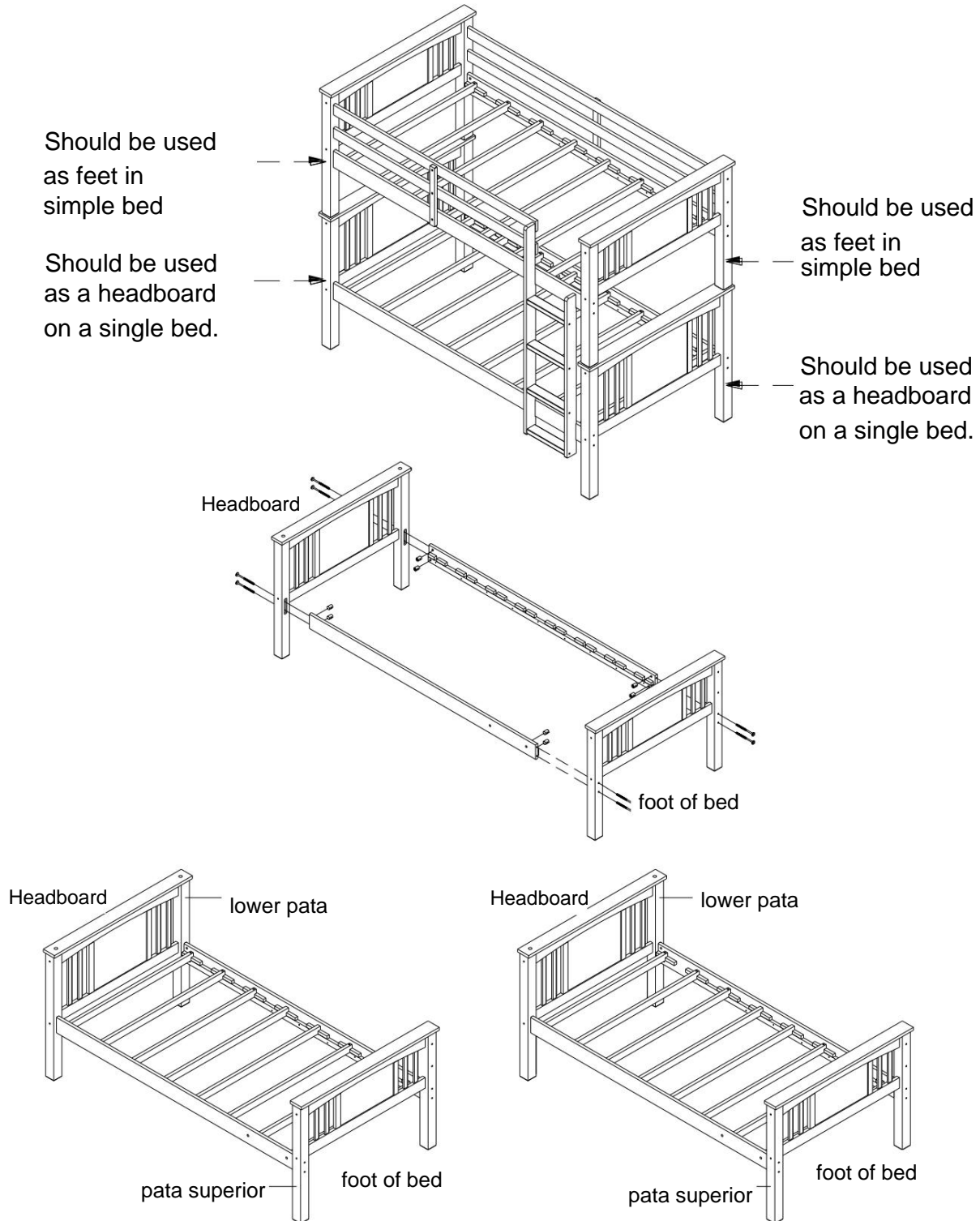


## STAGE 9

Attach ladder to short railing stringers (N), top bunk stringer (H), and bottom bunk stringer (I) with connector bolts (2) as shown.

**NOTE:** If a board (L) is covering the holes for fixing the ladder, please remove the board (L) and replace it after you have fixed the ladder.

## CONVERT THE SAILOR BED INTO TWO SINGLE BEDS



Remove the ladder and all railings.


With the help of another person, remove the upper bunk from the lower bunk.

Separate the stringers from the headboards (upper and lower bunk).

Reattach the headboards (with tall legs) and footboards (with short legs) to the bed rails.

Note: Swapping the headboards will make the two single beds identical (the headboards will have taller legs and the footboards will have shorter legs).

## WOODEN BUNK BUNK

 **CAUTION:** This unit is designed to be used only with the products and/or maximum weights indicated. Use with other products and/or products heavier than the maximum indicated weights may cause instability or cause injury.

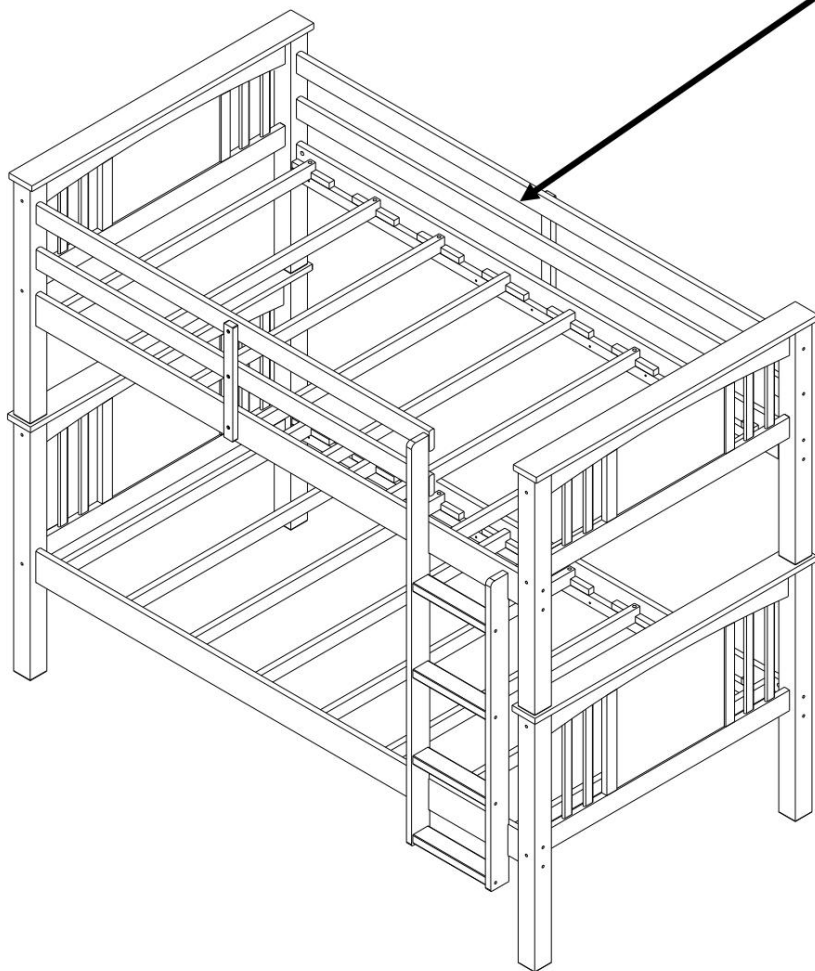
DO NOT ALLOW CHILDREN TO CLOWN ON OR UNDER THE BED AND PROHIBIT THEM FROM JUMPING ON IT.

DO NOT ALLOW CHILDREN UNDER 6 YEARS OF AGE TO SLEEP ON THE TOP BENCH. THE BED IS DESIGNED FOR CHILDREN FROM 6 YEARS TO EARLY ADOLESCENCE.

MAXIMUM WEIGHT: 165 LBS (75 KGS) FOR BUCKET

USE ONLY MATTRESSES WITH COIL SPRINGS ON BOTH BENCHES. FAILURE TO FOLLOW THIS MAY CAUSE INJURY.

USE ONLY MATTRESSES 74"-75" LONG AND 37 1/2" - 38 1/2" WIDTH IN THE TWO BUNKS. MAKE SURE THE THICKNESS OF THE MATTRESS DOES NOT EXCEED 6".



# Customer service

**PLEASE DO NOT RETURN THIS PRODUCT TO THE STORE**

**PLEASE CONTACT CUSTOMER SERVICE REPRESENTATIVES AT THE FOLLOWING NUMBERS IF ANY PART IS MISSING OR DEFECTIVE.**

Order closing:

Name:

Shipping Address:

Street and number:

City and province:

Postal Code:

Daytime telephone number:  
(including regional code)

Date and place of purchase:

Description of part(s) and quantity: (Please be sure to include model number or SKN number)