

Queen Bed

Assembly Instruction - Please keep properly for future reference.

If you find any missing boxes, damaged parts, or accessory shortages, please contact the customer service team of your purchasing channel immediately. We will resolve the issue as quickly as possible.



CONTACT US

- **Email: service@grandtunnel.com**
In order to receive assistance more quickly, please provide

THE FOLLOWING INFORMATION:

- Order number
- Purchase platform
- Purchase date
- Detailed description of the issue along with photos (if applicable)

Important – Please read these instructions carefully before starting the installation.

SKU:

BD26A4-1Q0A1
BD26A4-1Q0A2
BD26A4-1Q0B1
BD26A4-1Q0B2

V1.0

EN

Queen Bed

Before Assembly



Thank you for choosing this product!

To ensure safe use and long-term maintenance, please read this manual carefully and keep it properly for future reference.

Packaging Notice:

1. Multi-Box Shipping Notice

This product is packaged in 2 separate boxes for shipping and may arrive in batches at different times. To ensure a smooth assembly process, please make sure all boxes are received before unpacking and starting the installation.

2. Box and Packaging Verification

Each box is labeled with a corresponding number. Please refer to the packing list on the next page of this manual to verify that all boxes have been received.

If you find any missing boxes, damaged parts, or accessory shortages, please contact the customer service team of your purchasing channel immediately. We will resolve the issue as quickly as possible.

Important Notice:

- To ensure a smooth and successful installation, please read this guide carefully. It provides essential information about the required tools, materials, and assembly steps. Follow the instructions in each section to avoid any issues caused by improper installation.
- Please review all operational and safety guidelines to ensure proper and secure assembly.
- This guide reflects the most current product information available at the time of printing. We reserve the right to make changes to product features, packaging, or availability without prior notice.
- Before starting assembly, ensure that all necessary electrical and environmental preparations are completed.
- This manual contains important instructions regarding installation, cleaning, and maintenance. Please read it thoroughly and keep it for future reference.



Safety Warnings

1. Follow Warning Labels

Do not remove, alter, or obscure any warning labels on the product or packaging. Always adhere to the displayed safety instructions to ensure proper usage.

2. Conduct Regular Inspections

Periodically inspect all components to ensure they are properly installed, undamaged, and securely fastened. Report any issues to customer support immediately.

3. Practice Safe Usage

Avoid playing, jumping, or engaging in activities on or under the bed, as this may cause injury or structural damage.

4. Beware of Rope Hazards

Do not attach ropes, hooks, straps, or any non-designated accessories to any part of the bed, as this may pose a safety hazard.

5. Keep This Manual for Reference

Store this manual in a safe and accessible place for future reference.

6. Safety is a Shared Responsibility

Ensuring safety is a joint responsibility between the manufacturer and the user. Please follow all safety precautions during assembly and use.

Disclaimer

We are committed to delivering safe, high-quality, and reliable products to our customers. If you have any questions, concerns, or require further assistance, please contact our customer service team without hesitation.



Maintenance and Care Recommendations

1. Regular Cleaning

To maintain hygiene and prevent bacterial growth, clean the product regularly. Use a damp, well-wrung cloth to avoid excess moisture and prevent surface scratches.

2. Prevent Corrosion

Keep the product away from acidic or alkaline substances, as they may cause corrosion or damage to the materials.

3. Use Only Authorized Replacement Parts

Do not use unauthorized or third-party replacement parts, as they may compromise the product's safety and durability. If a replacement is needed, contact the manufacturer or an authorized dealer for approved parts.

4. Cleaning Precautions

Do not machine wash or rinse any part of the product directly with water, as this may damage the materials and reduce product lifespan.

5. Prevent Pests

Keep wooden furniture away from damp or humid areas to prevent pest infestations and wood damage. Use a dehumidifier or air conditioner during humid seasons to maintain a dry environment.

6. Protect from Sunlight

Avoid placing furniture in direct sunlight, as prolonged exposure may cause cracking, discoloration, or fading. If sunlight exposure is unavoidable, use curtains or shades to minimize damage.

7. Keep Away from Fire

Position furniture away from heat sources and open flames to prevent damage and maintain its condition.

8. Perform Regular Care

Apply furniture oil periodically to maintain the wood's shine, prevent cracks, and extend its lifespan.

9. Clean Frequently

Regularly vacuum dust and debris, especially underneath furniture, to keep it clean and hygienic.

10. Maintain a Dry Environment

Ensure good ventilation to prevent moisture buildup, which can damage wood. Use a dehumidifier if necessary to protect the furniture.

11. Avoid Corrosive Liquids

Keep furniture away from acidic or alkaline substances, as these can damage the surface and reduce durability.

12. Use a Damp Cloth for Cleaning

Wipe furniture with a well-wrung damp cloth to prevent water damage or swelling. Avoid excessive moisture exposure.

13. Limit Sun Exposure

Excessive sunlight can dry out and weaken wood. Position furniture in shaded areas or use UV-blocking curtains to protect it from damage.



Customer Service Guide

Thank you for choosing our product! We are committed to providing you with excellent service. If you find any missing parts, damaged packaging, or product damage after receiving all packages, please follow the steps below to quickly contact our customer service team. We will do our best to resolve your issue.

1. Missing Parts

Verify Parts:

1. Refer to the "Parts List" in the manual to verify the name, specifications, and quantity of the missing parts.
2. Take a clear photo of the parts list and mark the missing parts with detailed information, e.g., "Missing 5 pieces of M6×30mm screws."

Contact Us:

By Email:

Send an email to service@grandtunnel.com, with the subject line "Missing Parts Issue." Include the following in the email:

- A description of the missing parts and a photo of the parts list.
- Order details (order number, purchase platform, purchase date).

2. Product or Packaging Damage

If it affects normal use:

Steps:

1. Take clear photos or videos showing the damaged parts and the extent of the damage (multi-angle shots are recommended).
2. Email the photos/videos along with order details to service@grandtunnel.com, with the subject line "Product Damage Issue."

Resolution:

After verification, we will arrange for a replacement part, product exchange, or refund as quickly as possible.

If it does not affect normal use:**Steps:**

1. Contact our customer service team (by email: service@grandtunnel.com).
2. Provide a description of the damage and include relevant photos or videos.

Resolution:

We will provide repair guidance or an appropriate compensation plan based on the specific situation.

Contact Us:

Customer Service Email: service@grandtunnel.com

Helpful Tips**To process your issue efficiently, please prepare the following information:**

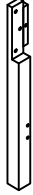



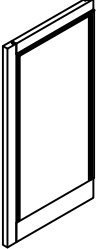
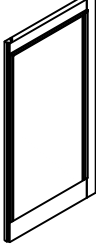
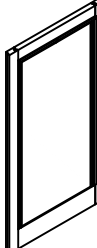
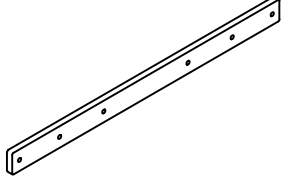
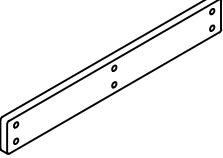
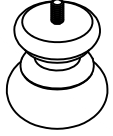

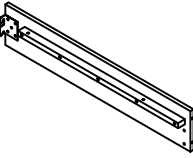
- Order details (order number, purchase platform, purchase date).
- Clear photos or videos.
- We are committed to providing quick and professional solutions, no matter the size of the issue, to ensure your satisfaction.

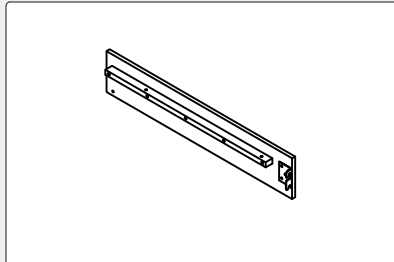
Thank you for your trust and support!
We hope you enjoy using our product!

**Parts List**

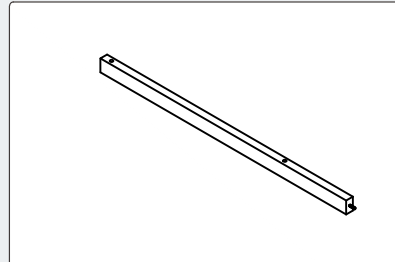
Please check you have all the panels listed below.

Box 1

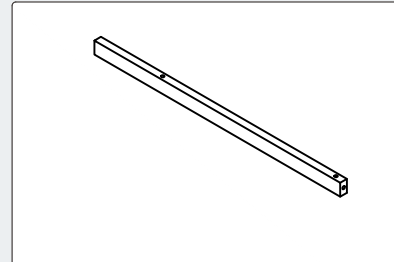
		
1 854x89x50mm x1	2 854x89x50mm x1	3 979x64x50mm x1
		
4 979x64x50mm x1	6 979x487x33mm x1	7 979x487x33mm x1
		
8 979x532x33mm x1	10 936x70x18mm x1	11 614x80x18mm x4
		
13 Ø90x105mm x2	15 252x32x32mm x4	16 1041x198x43mm x2



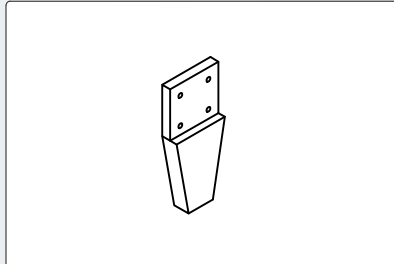
17 1041x198x43mm **x2**



18 920x45x25mm **x1**

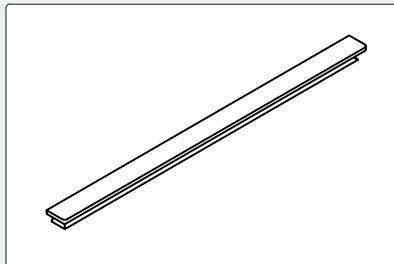


19 920x45x25mm **x1**

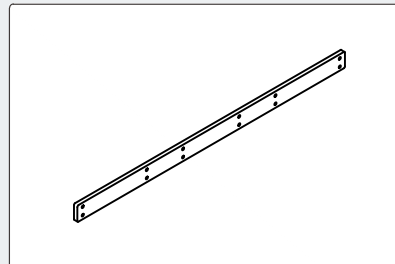


20 275x100x36mm **x2**

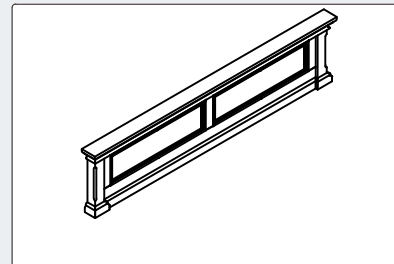
Box 2



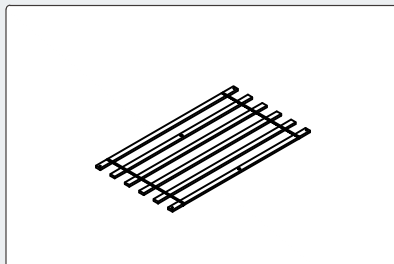
5 1698x90x67mm **x1**



9 1502x80x18mm **x1**



12 1698x387x81mm **x1**



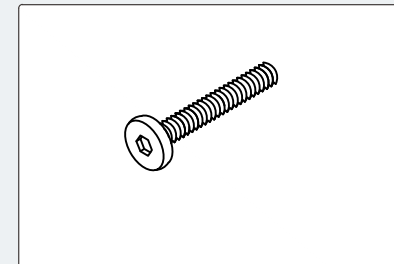
14 1545x860x15mm **x2**



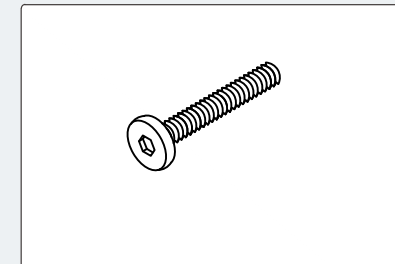
Parts List - Fittings

Please check you have all the fittings listed below. (in Box 1)

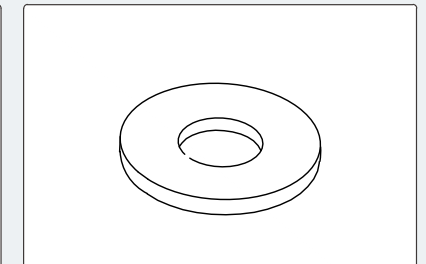
Note: The quantities below are the correct amount to complete the assembly. In some cases more fittings may be supplied are required.



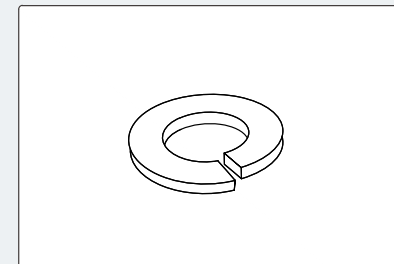
A Ø1/4"x35mm **x50**



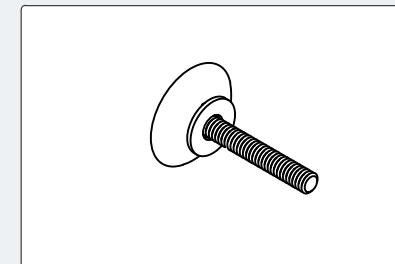
B Ø1/4"x45mm **x8**



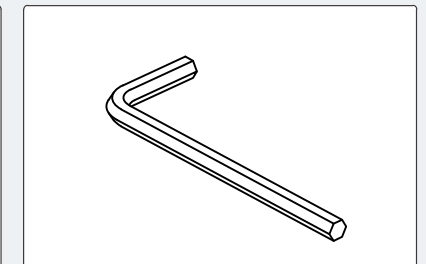
C Ø1/4"x19X2mm **x62**



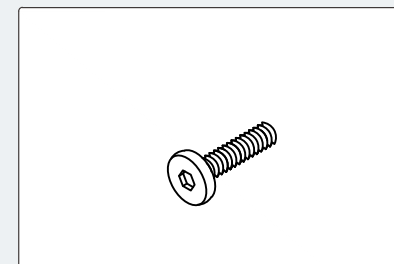
D Ø1/4"x10x1.5mm **x62**



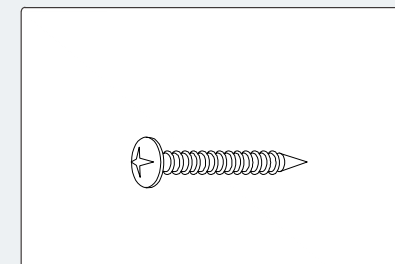
E M8x38mm Retainer **x2**



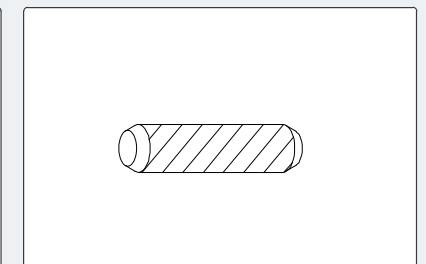
F M4 **x1**



G Ø1/4"x25mm **x4**



H Ø8x30mm **x8**



I Ø8x30mm **x4**

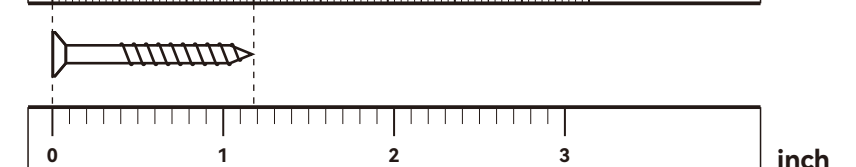
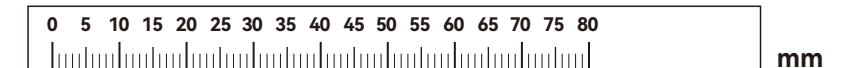
Tools required



Phillips screwdriver
(medium & large)

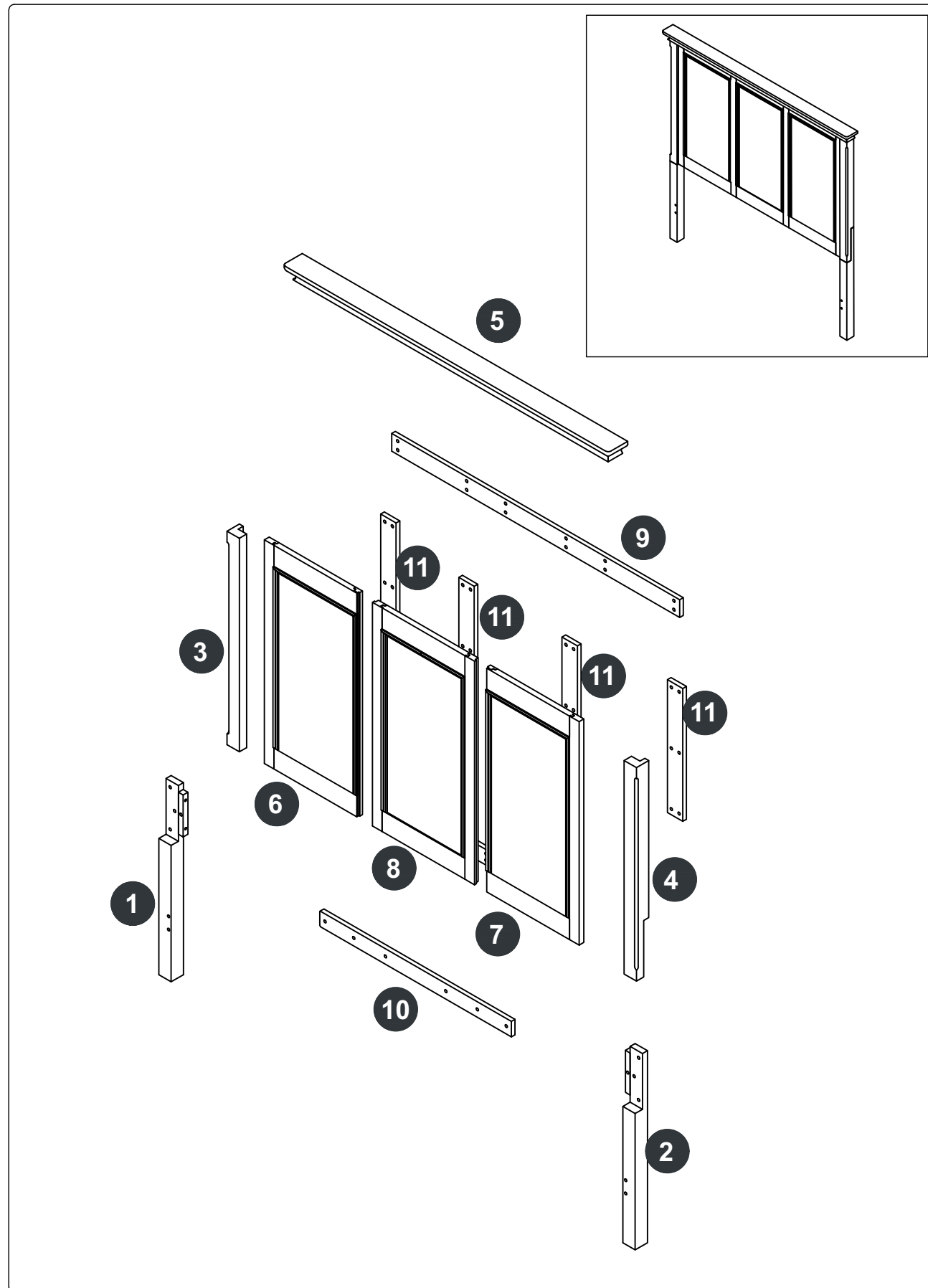
Ruler

Use this ruler to help correctly identify the screws

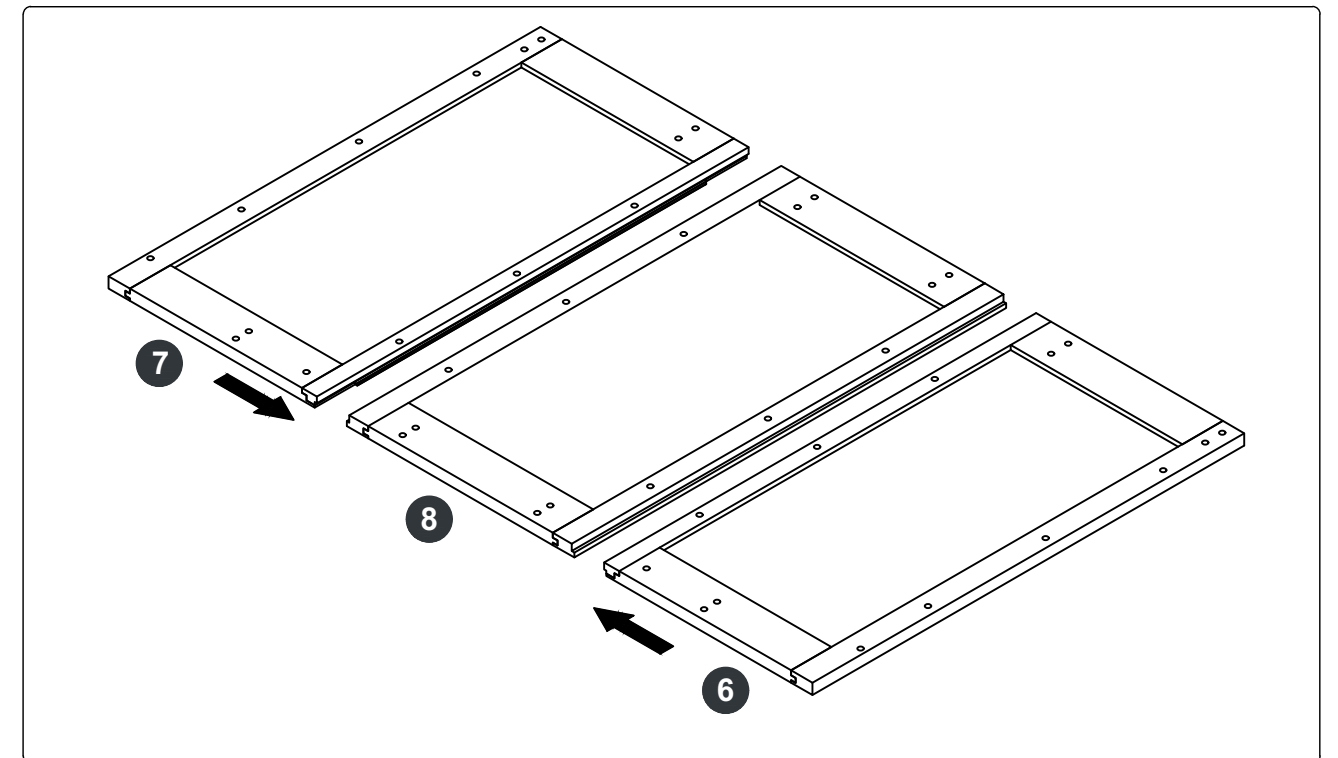


The screws length is measured from the head to the point (30mm screw shown).

Assembly Instructions

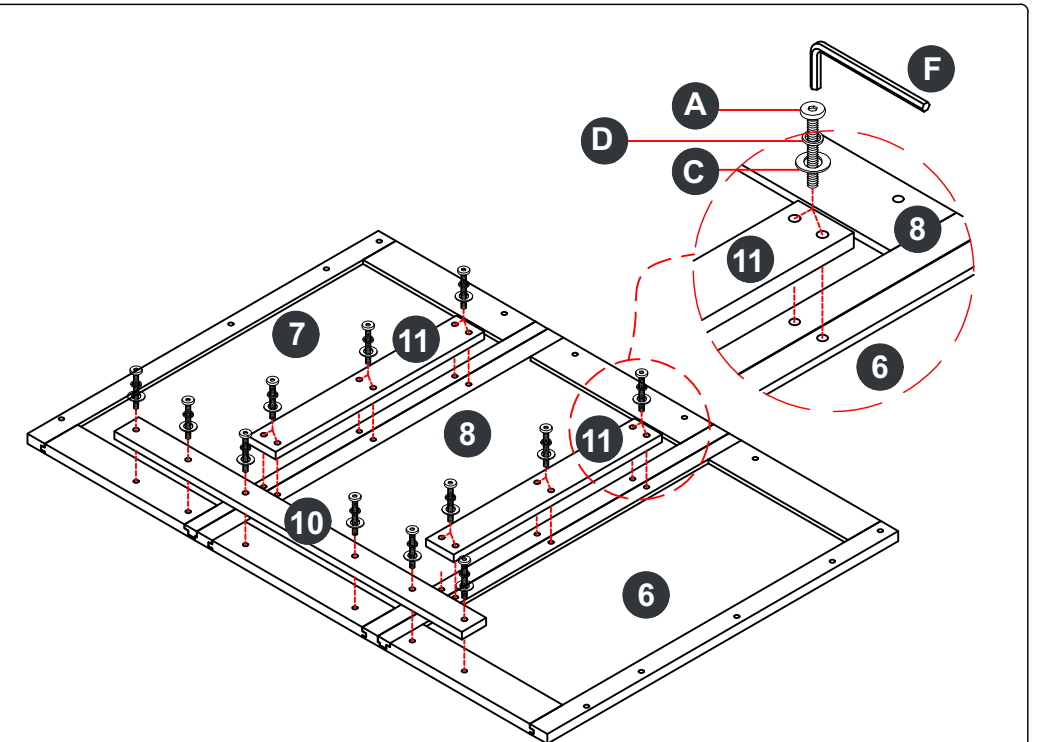
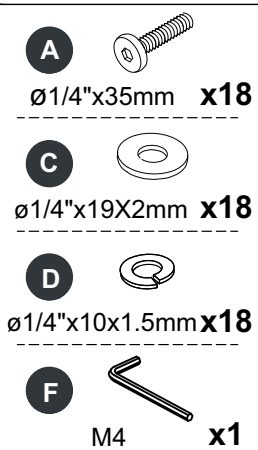


Step 1



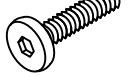
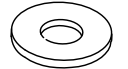

- Align the Parts (6,7,8) together .

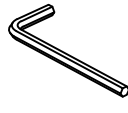
Step 2

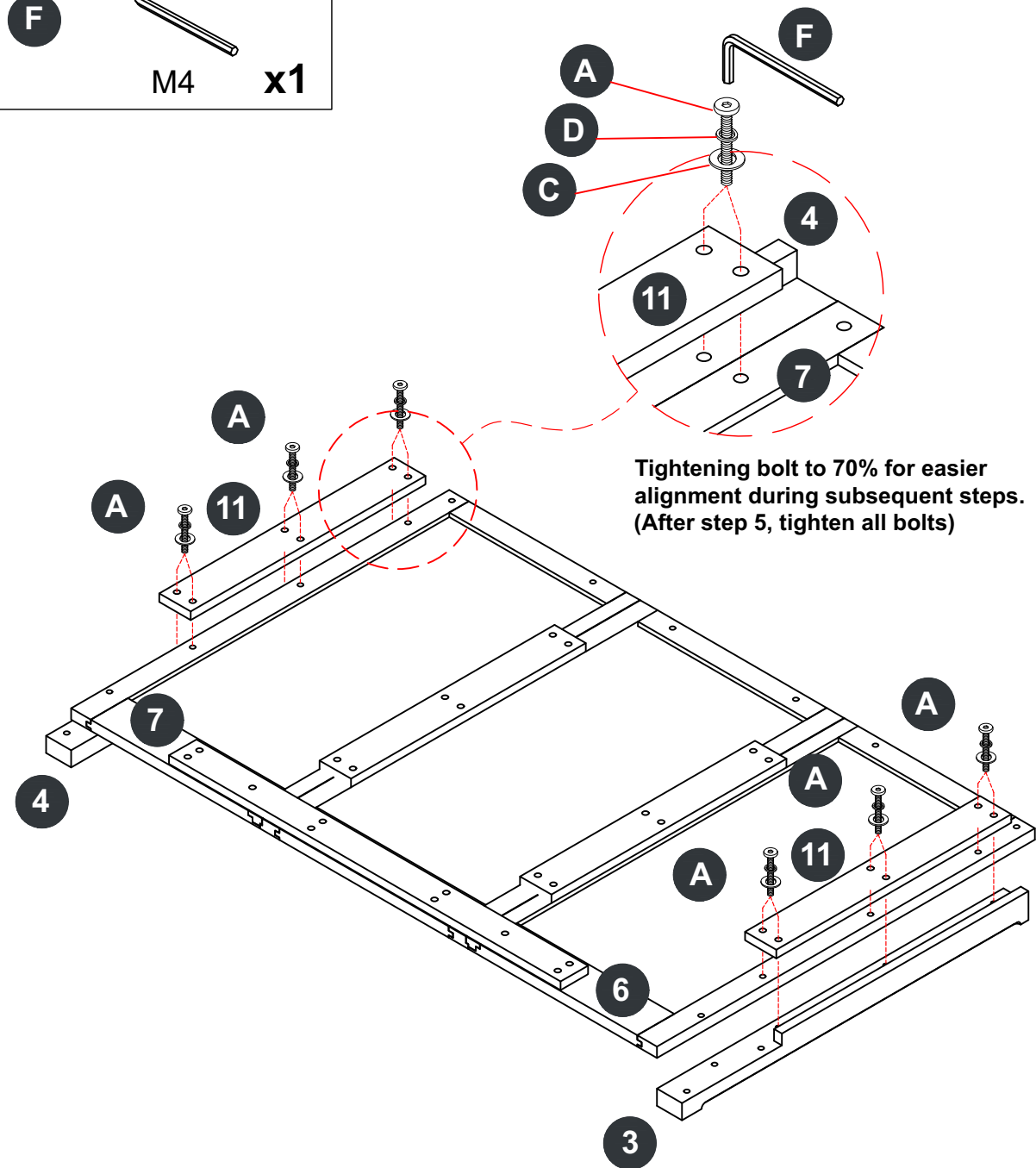


- Attach Part (10,11) to Part (6,7,8), using Flat washer (C), Lock washer(D) and Bolt (A), tighten them by Allen Key (F).

Step 3

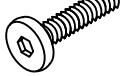
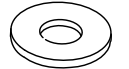
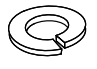
A  Ø1/4"x35mm x12	C  ø1/4"x19X2mm x12	D  Ø1/4"x10x1.5mm x12
---	---	---

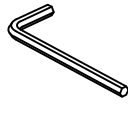
F  M4 x1
--

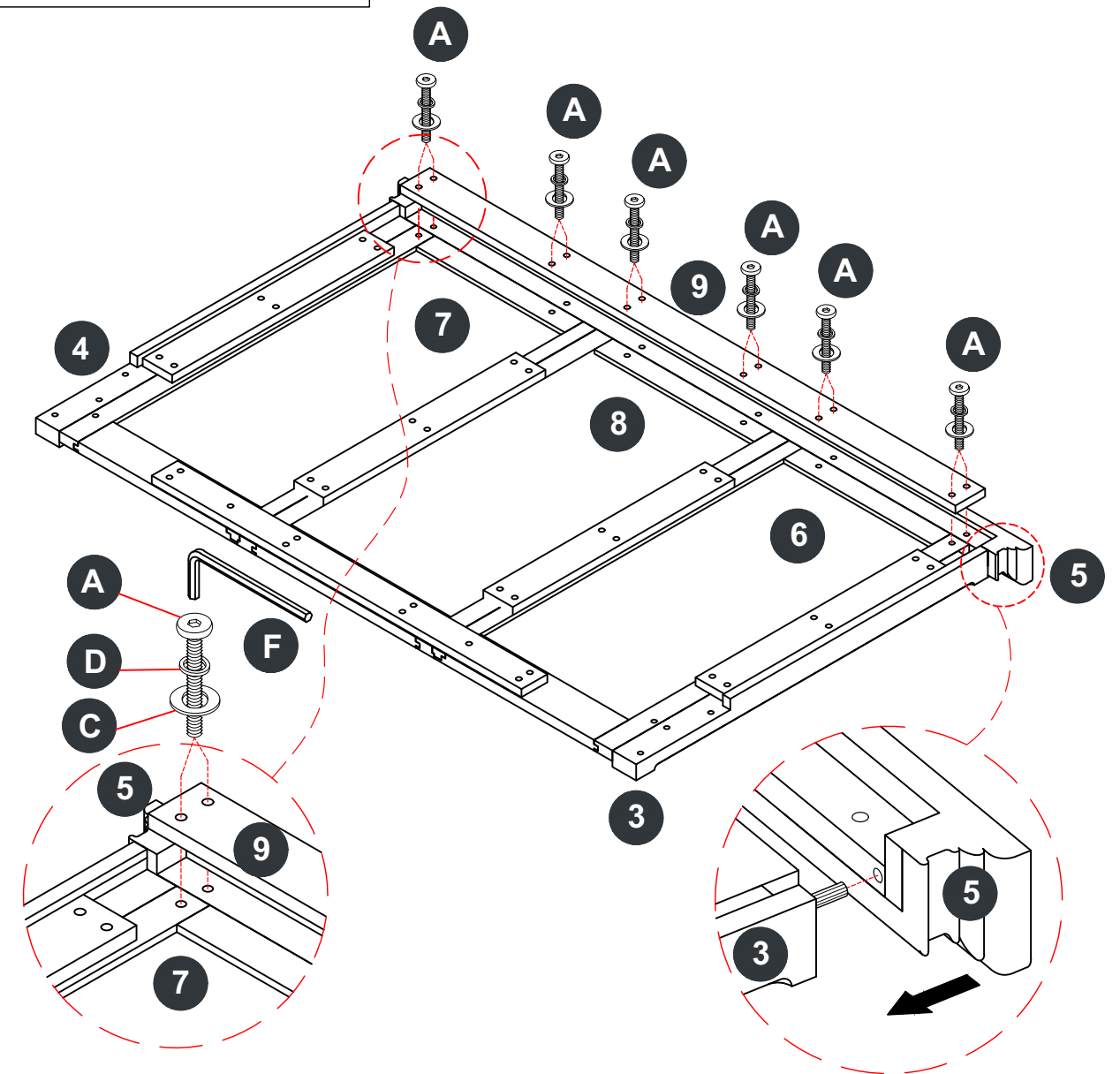


- Attach Part (4) to Part (7), using Flat washer (C), Lock washer(D) and Bolt (A), tighten them by Allen Key (F).
- Attach Part (3) to Part (6), using Flat washer (C), Lock washer(D) and Bolt (A), tighten them by Allen Key (F).

Step 4

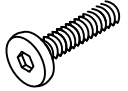
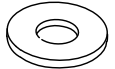

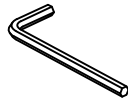
A  Ø1/4"x35mm x12	C  ø1/4"x19X2mm x12	D  Ø1/4"x10x1.5mm x12
---	---	---

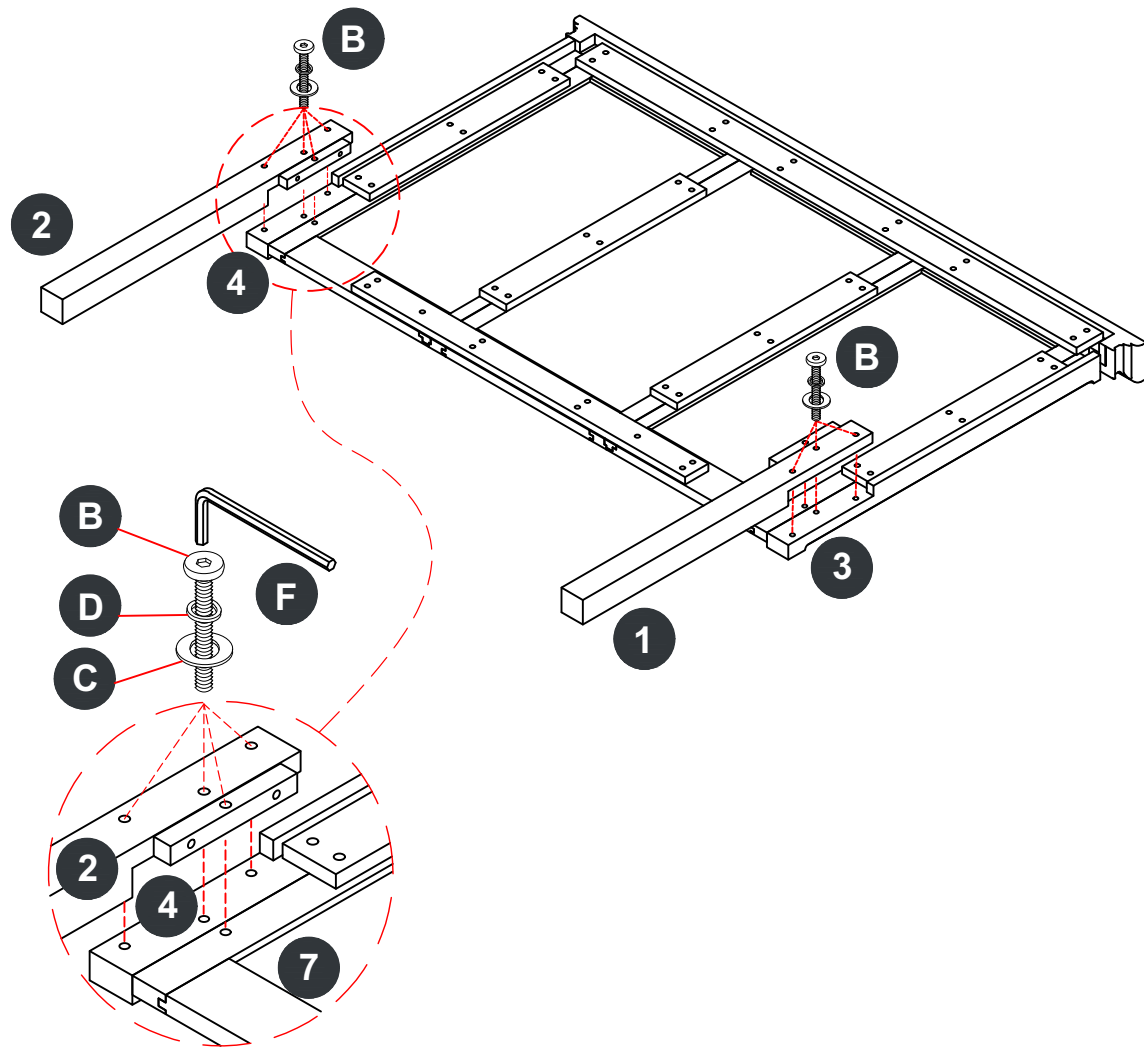
F  M4 x1
--



- Align the wooden dowels of Parts (3,4) with the Pre-drilled holes on Part (5), then press the two parts tightly together .
- Attach Part (9) to Part (5,6,7,8), using Flat washer (C), Lock washer(D) and Bolt (A), tighten them by Allen Key (F).

Step 5

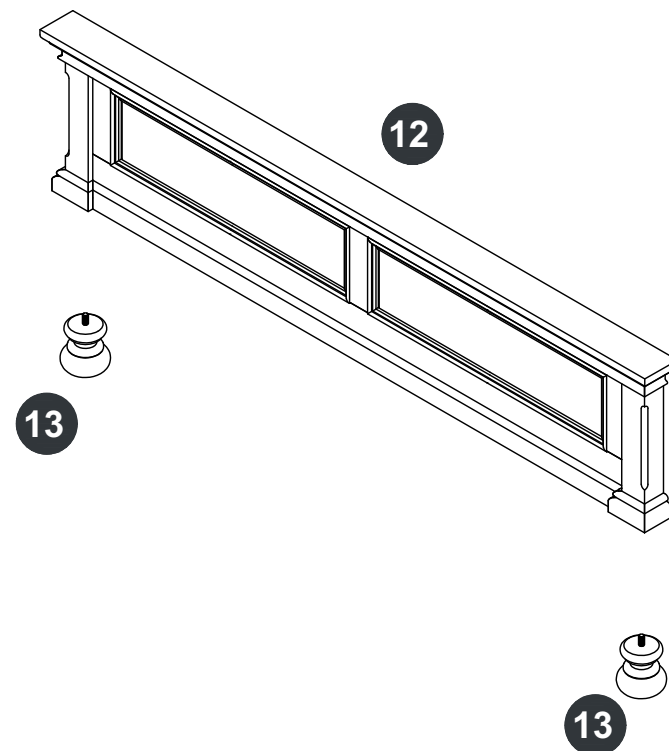
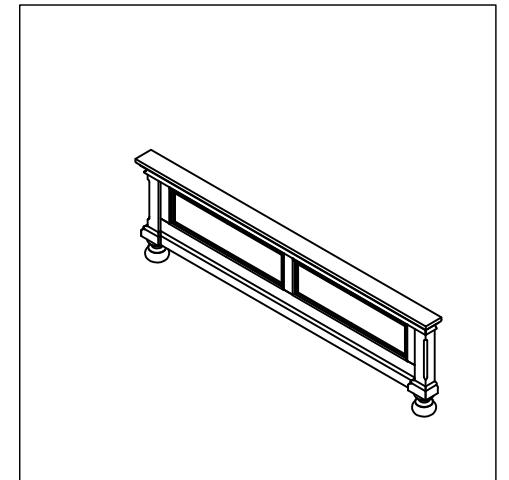
B  Ø1/4"x45mm x8	C  ø1/4"x19X2mm x8	D  Ø1/4"x10x1.5mm x8
F  M4 x1		



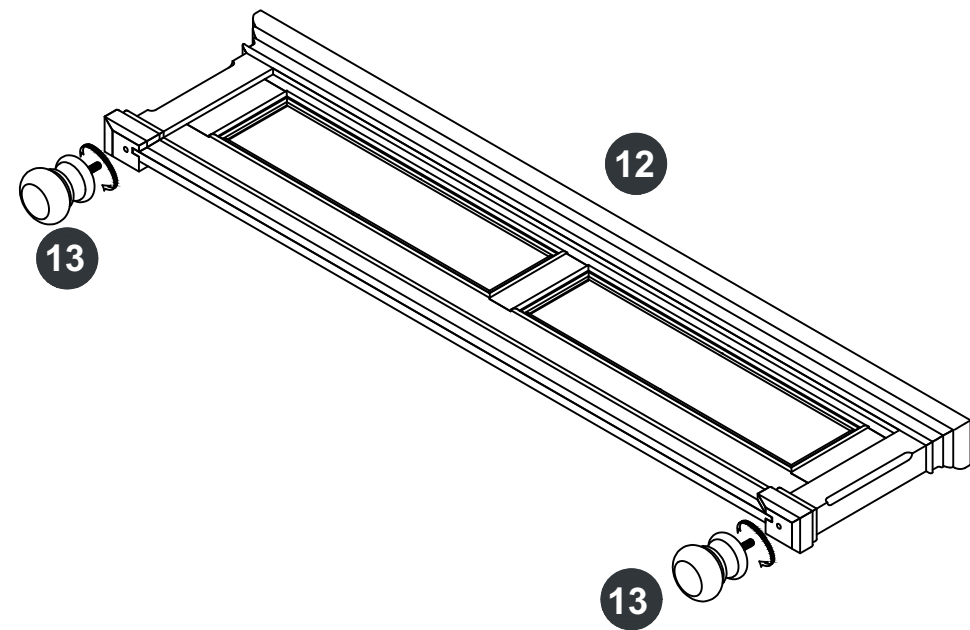
- Attach Part (1,2) to the Pre-assembled Headboard Frame (3,4,6,7), using Flat washer (C), Lock washer(D) and Bolt (B), tighten them by Allen Key (F).
- Tighten all the bolts in Steps 3 by Allen key (F)



Assembly Instructions



Step 6



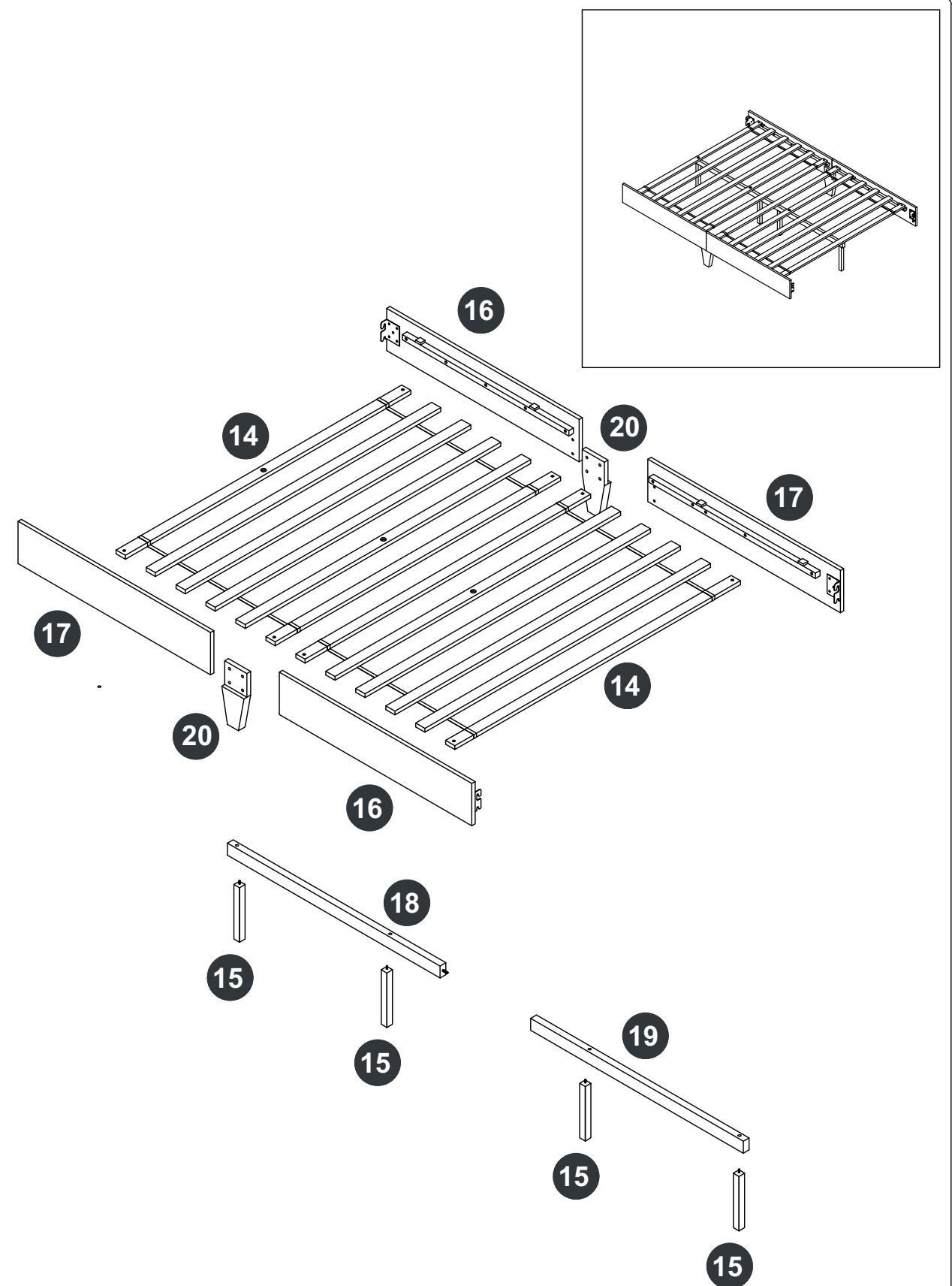
- Attach the Feet (13) to Part (12), and tighten them by hand in a clockwise direction.

Note:

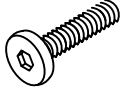
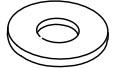



- Ensure the foot is tightened vertically (do not tilt it).

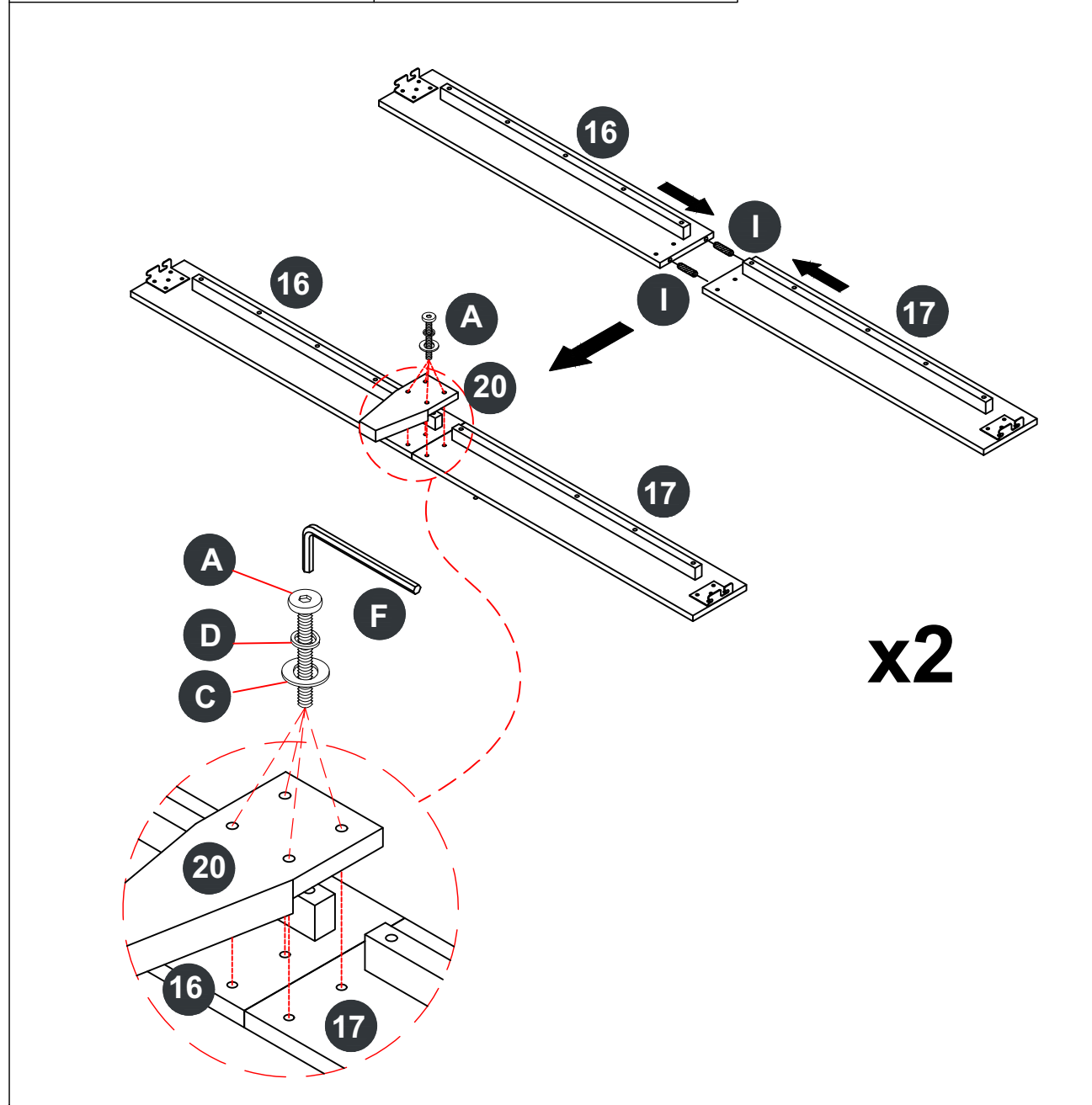


Assembly Instructions



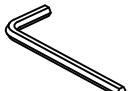
Step 7

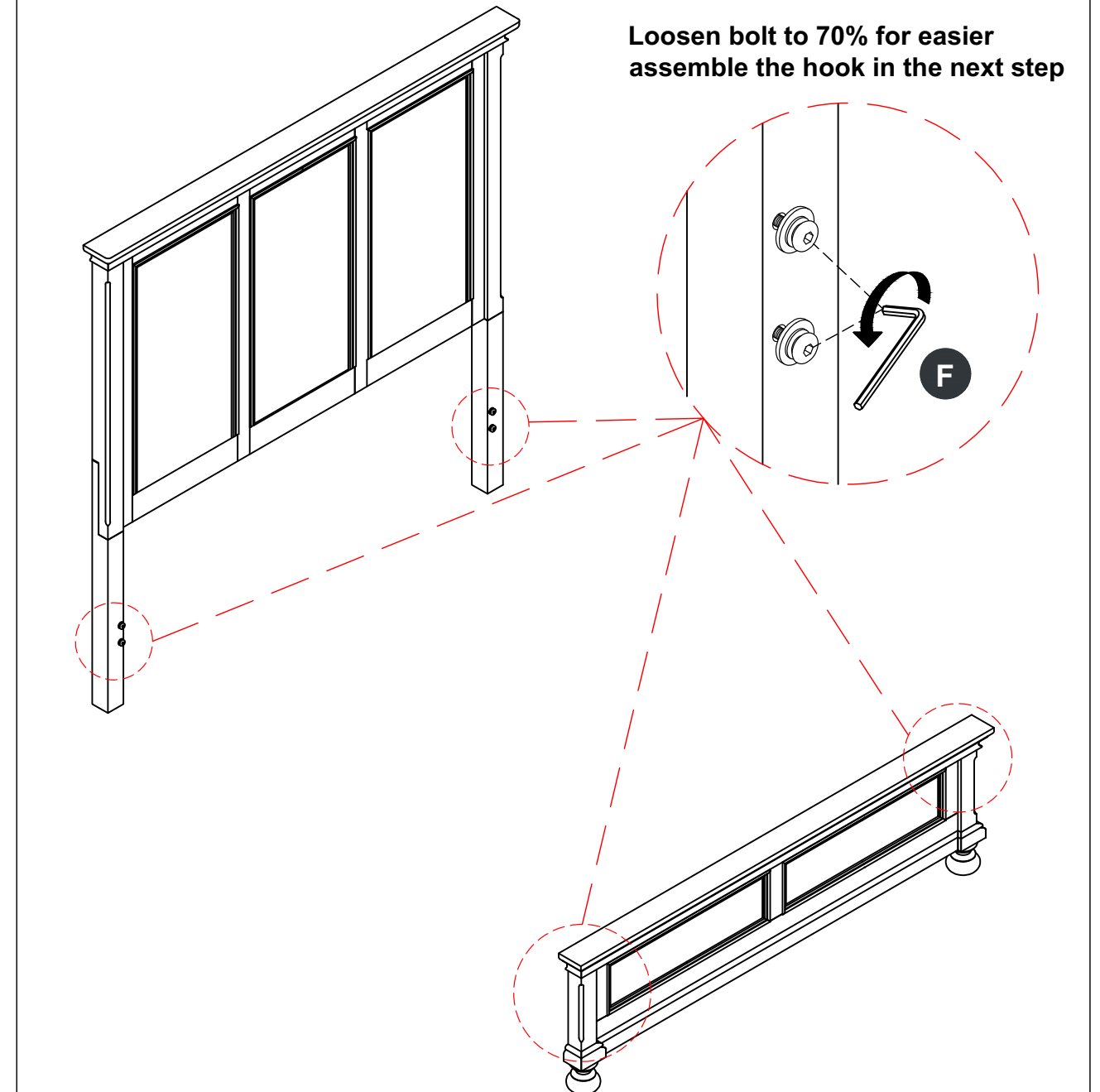
A  Ø1/4"*35mm x8	C  ø1/4"x19X2mm x8	D  Ø1/4"x10x1.5mm x8
F  M4 x1	I  Ø8"*30mm x4	



- Use Wooden Dowels (I) to join Parts (16) and (17) together .
- Attach Part (20) to Part (16,17), using Flat washer (C), Lock washer(D) and Bolt (A), tighten them by Allen Key (F).

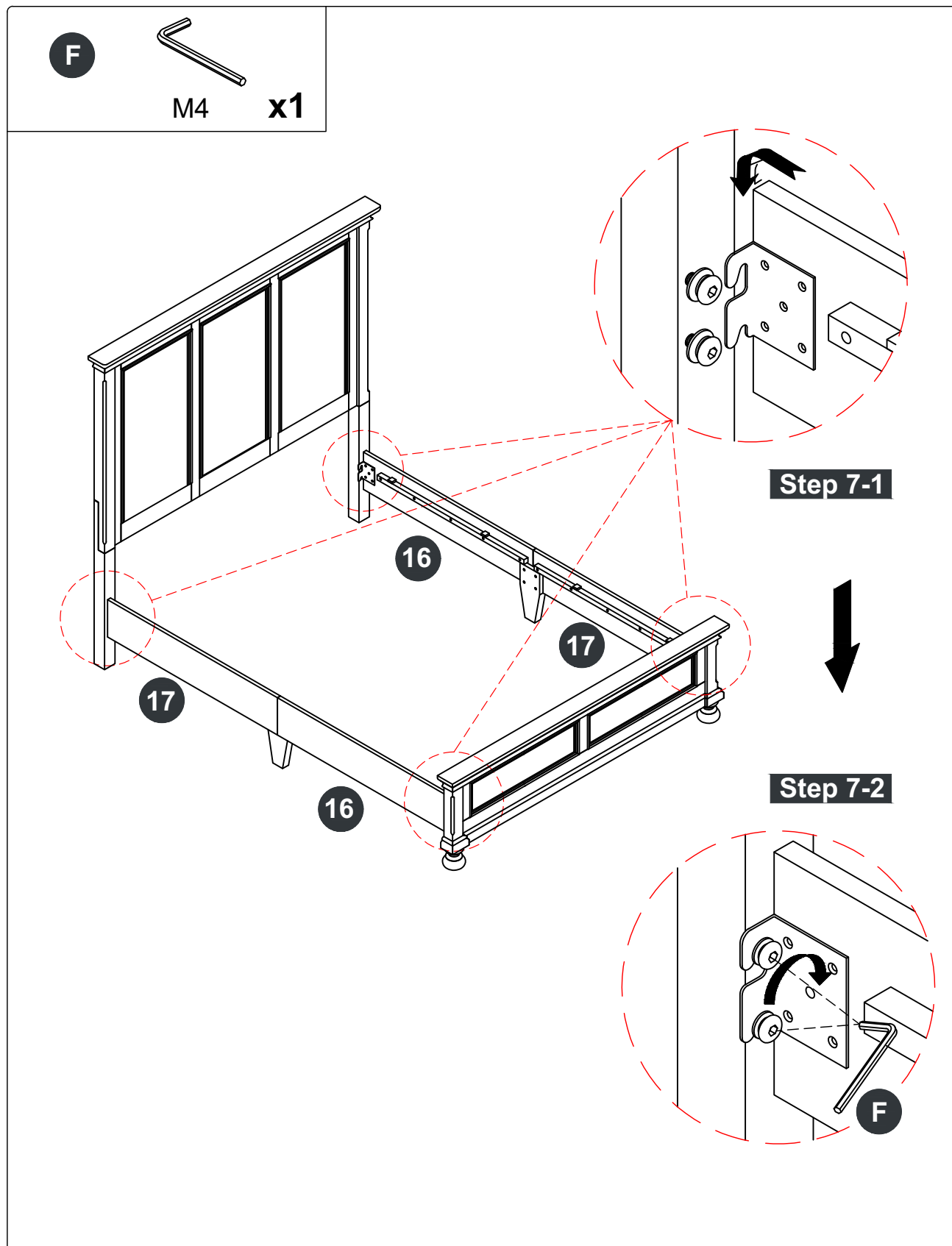
Step 8

F  M4 x1
--



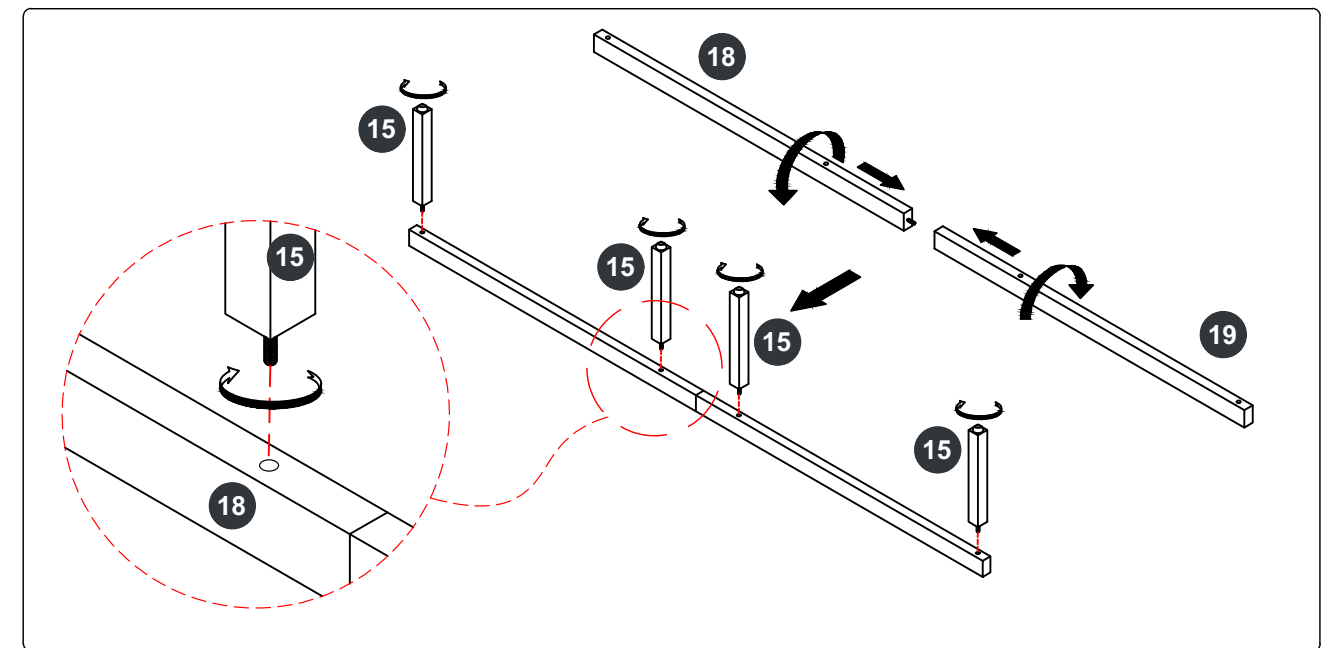
- Use Allen Key (F) to loosen the bolts at the headboard and footboard .

Step 9



- Attach the Pre-assembled Side Rails (16,17) to the Headboard and Footboard, then Use Allen Key (F) to tighten all connection bolts .

Step 10

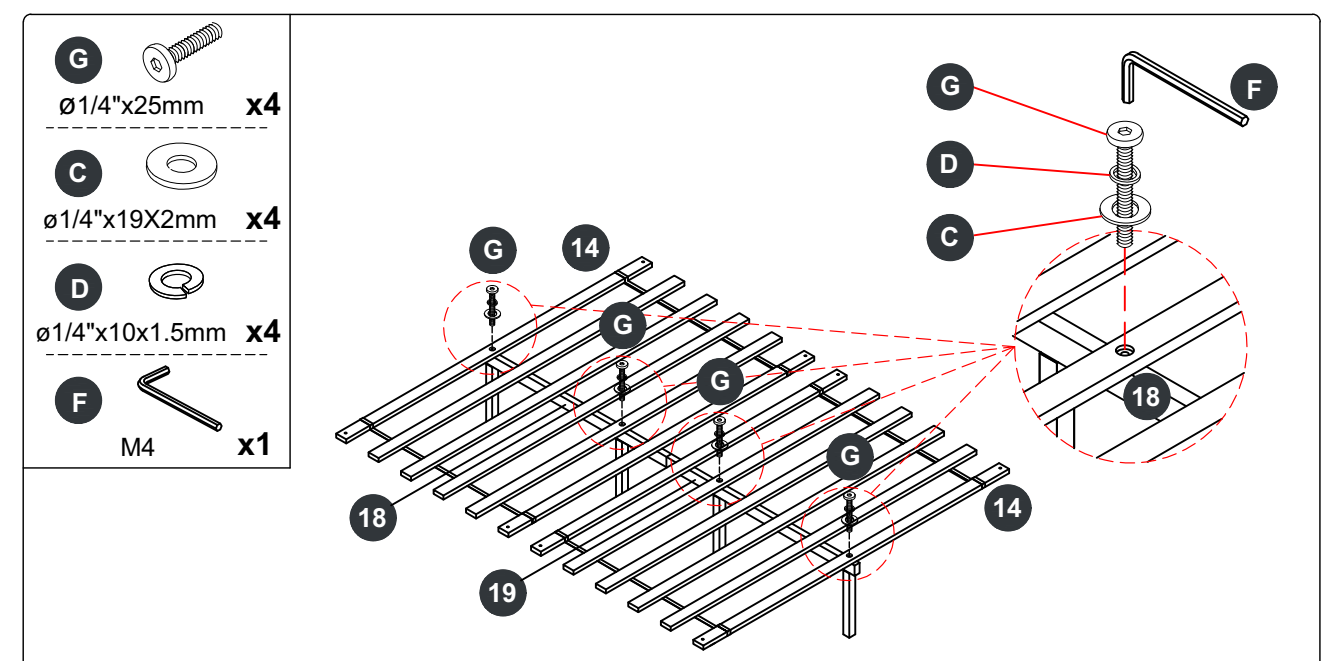


- Attach Part (18) to Part (19), and tighten them by hand in a clockwise direction.
- Attach Parts (15) to Part (18,19), then tighten them by hand in a clockwise direction

Note:

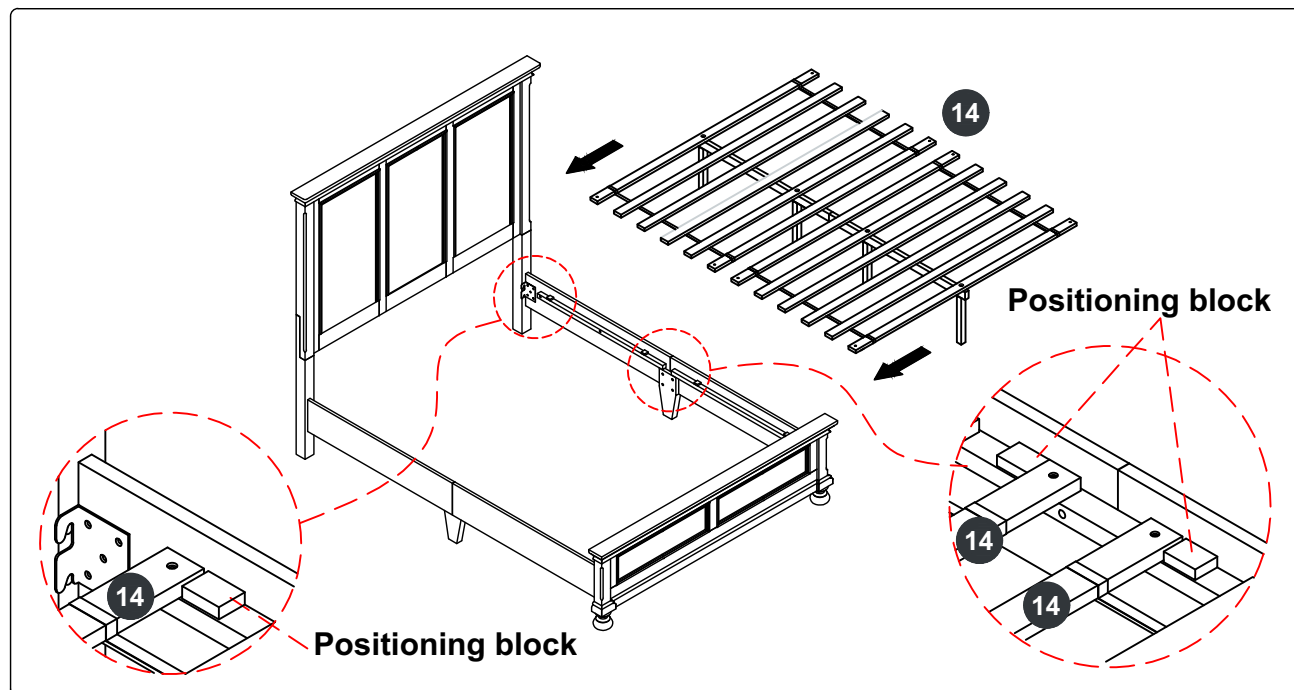
- Adjust the rotation of parts (18, 19) during tightening to achieve coplanar alignment of all four holes.

Step 11



- Attach Slats (14) to Part (18,19), using Flat washer (C), Lock washer (D) and Bolt (G), tighten them by Allen Key (F).

Step 12

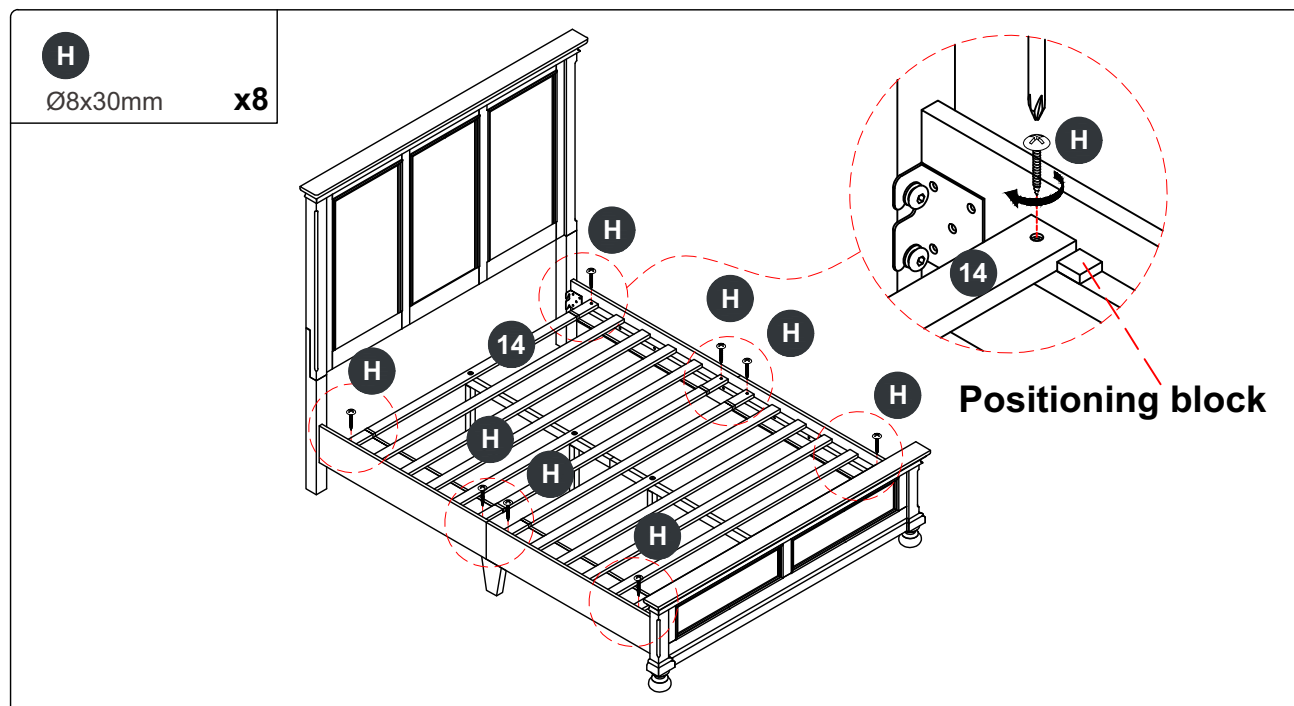


- Straighten the bed frame and place the Slats (14) .

Note:

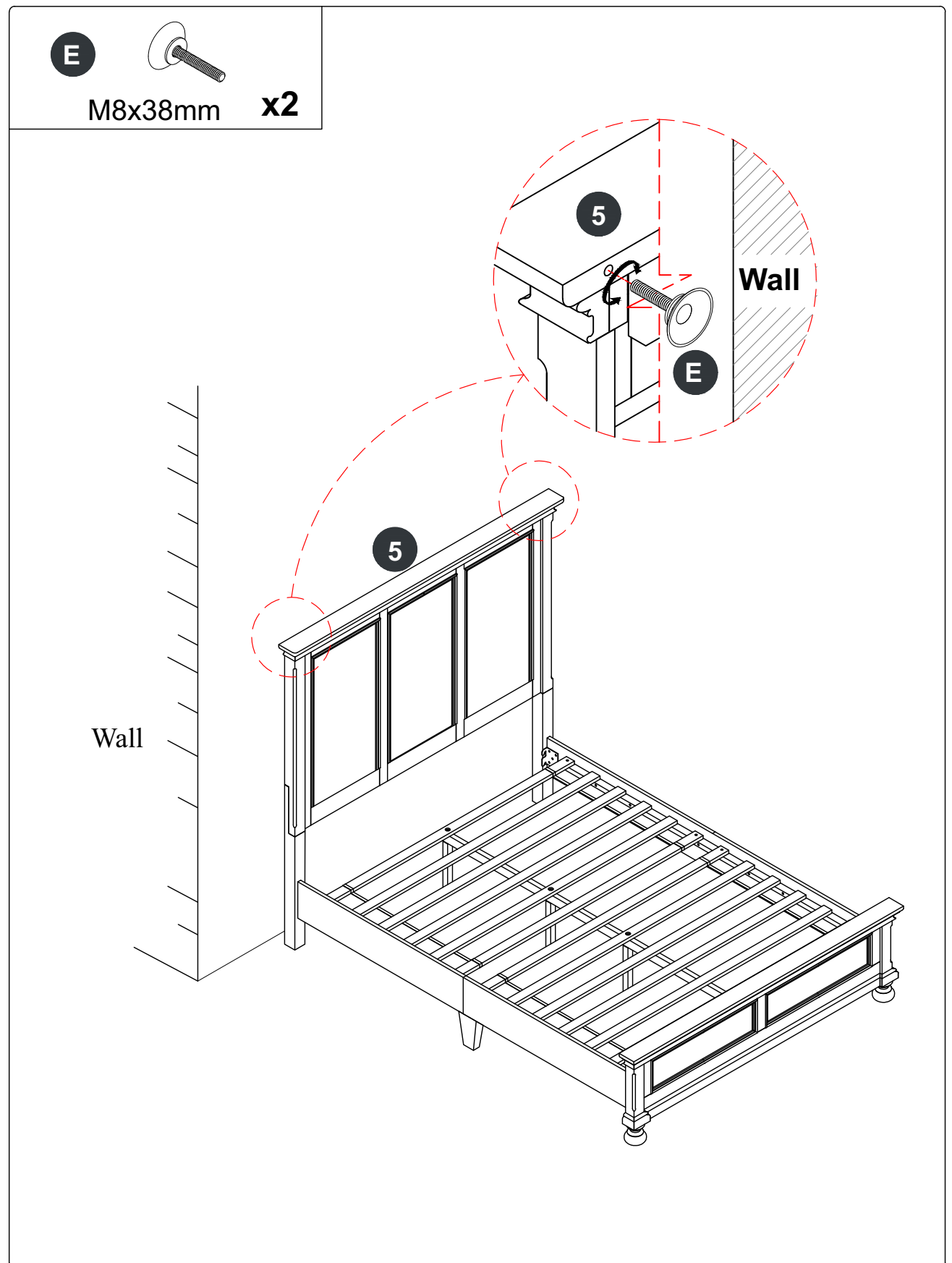
- Outermost slat is fixed to the outside of the Positioning block.

Step 13



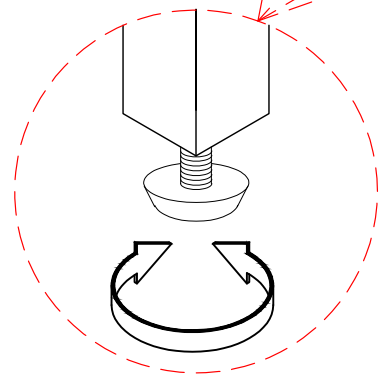
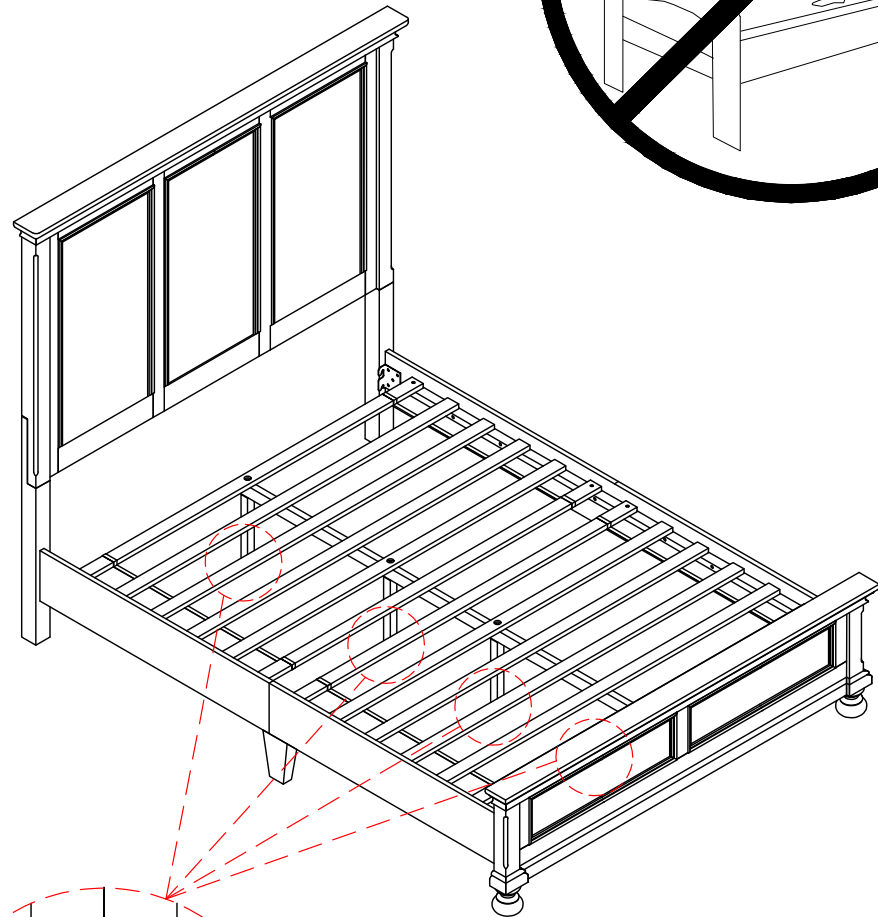
- Fix the two outermost bed slats (14) on the outside of the positioning blocks, and tighten the screws (H) with a screwdriver.

Step 14



- Screw the Parts (E) to Part (5), making sure it touch the wall to keep the bed balanced.

Step 15



Adjust Leveler

Installation Complete