

# 6-Light Asymmetric Design Glass Semi-Flush Mount

**Caution:** Please turn off power before installation and read the manual carefully, we advise you contact professional electricians to install for safety purpose.

## Product Features

Style: Modern/Contemporary

Material: Metal, Glass

Color: Brass

Base Type: G9 base

Light Source Included:NO

Voltage: 110VAC

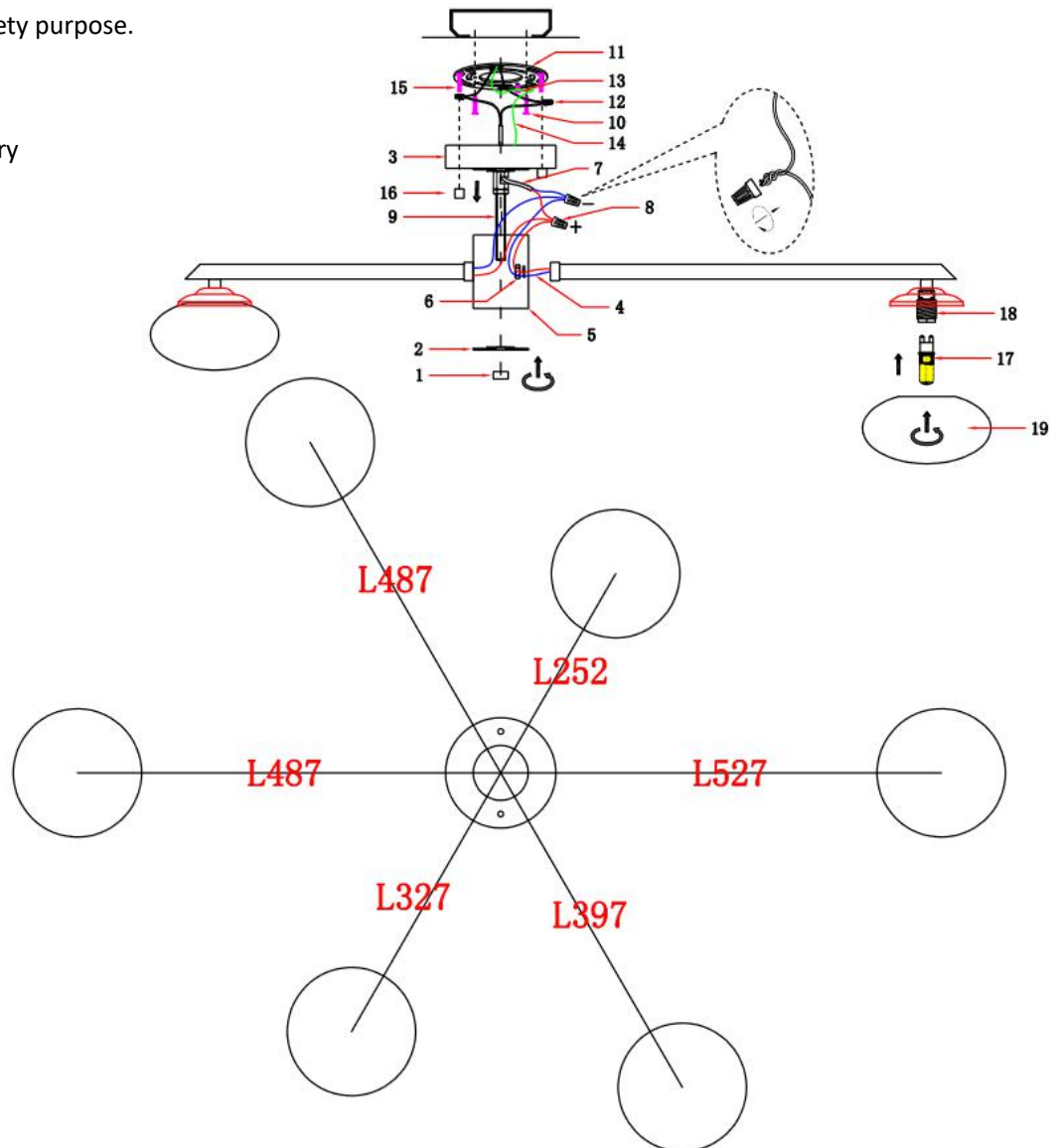
Wattage: 40W

## Package includes

1 x Ceiling Light

1 x Accessories Kit

1 x User's Manual



## Installation Instructions

- Thread off the flat nut (1), and disassemble the metal cover (2) and canopy (3).
- Pass the wires (4) from the lamp arms through the lamp housing (5), then tighten it with screws (6).
- Using the wiring caps (8) to connect the main wire (7) from the canopy (3) to the lamp arm wires (4) respectively, then wrap them with electrical tape to avoid electrical leakage.
- Get the central bolt (9) through the lamp housing (5), and secure it with the flat nut (1) after putting on the metal cover (2).
- Using mounting screws (10) to attach the mounting plate (11) to the junction box.
- Using the wiring caps (12) to connect the main wires (7) from the canopy (3) to the wires reserved on the junction box respectively, then wrap them with electrical tape to avoid electrical leakage. Secure the ground wire (14) of the fixture and junction box to the mounting plate (11) with the green screw(13).
- Pass the mounting bolt (15) through two small holes on the canopy (3), then secure them with decorative cap nuts (16).
- Assemble the bulbs (not included) on the lamp socket (18) as the picture shows.
- Screw the glass lampshade (19) on the lamp socket (18).

**Note:** please use this product accordingly to its intended purpose, do not retrofit or remodeling the product. The warranty does not cover if the failure is caused by the third party product, or natural disasters.