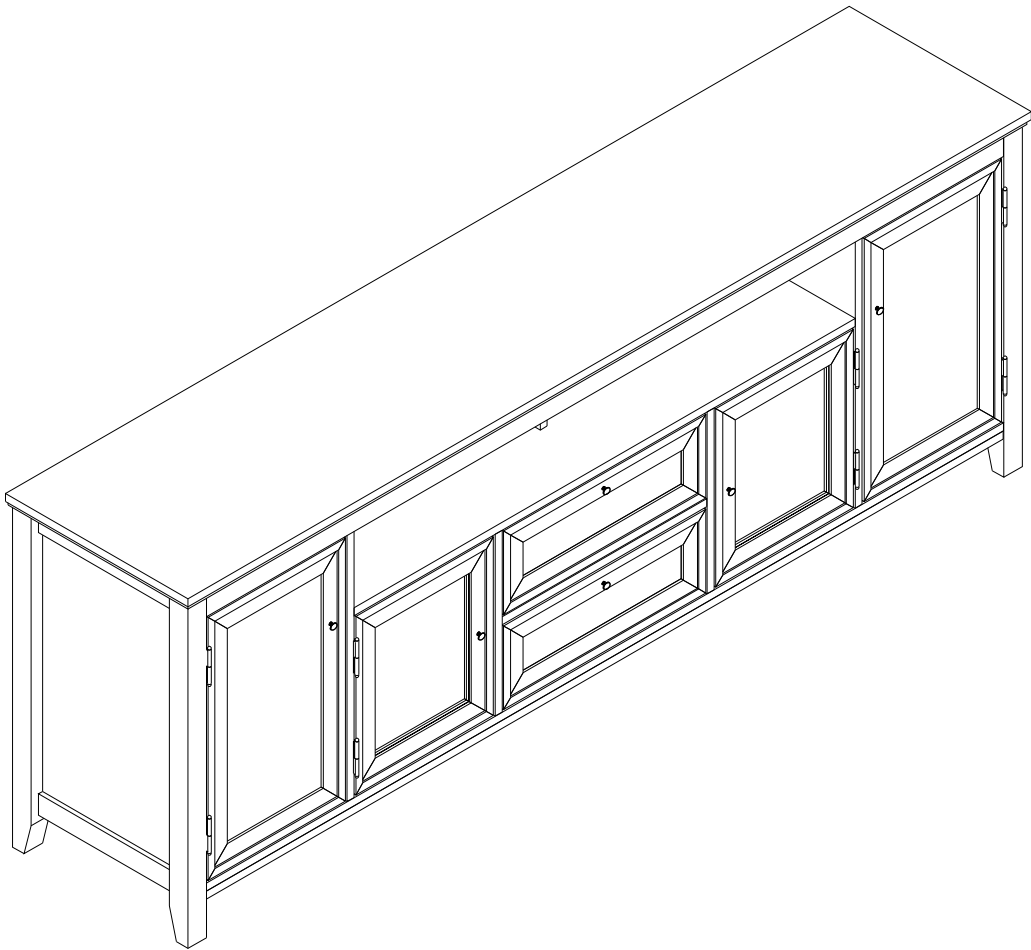
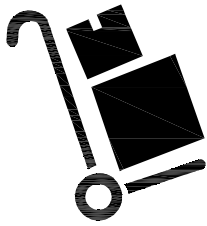


# INSTRUCTION MANUAL

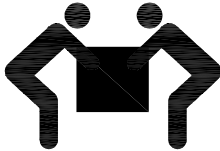
---





**ATTENTION**

Our product comes with TWO PACKAGES With TWO TRACKINGS may NOT be delivered at the same time.



**WARNING**

Some steps are more easily handled with two adults.



**CAUTION**

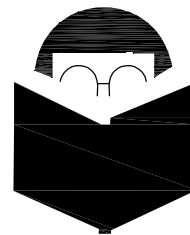
Before assembly and/or installation, carefully unwrap all parts. Locate and set aside the hardware kit before discarding packaging. Use care when assembling your new product. Take your time and follow assembly instructions closely.



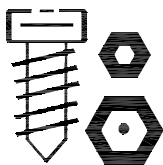
If you have any questions below, please feel free to contact us. We will respond within 24 hours.



**ANY DAMAGE**



**READ INSTRUCTIONS CAREFULLY**



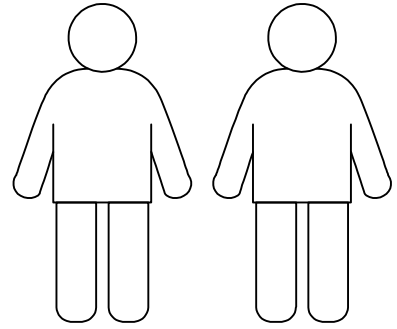
**MISS SOME PARTS**



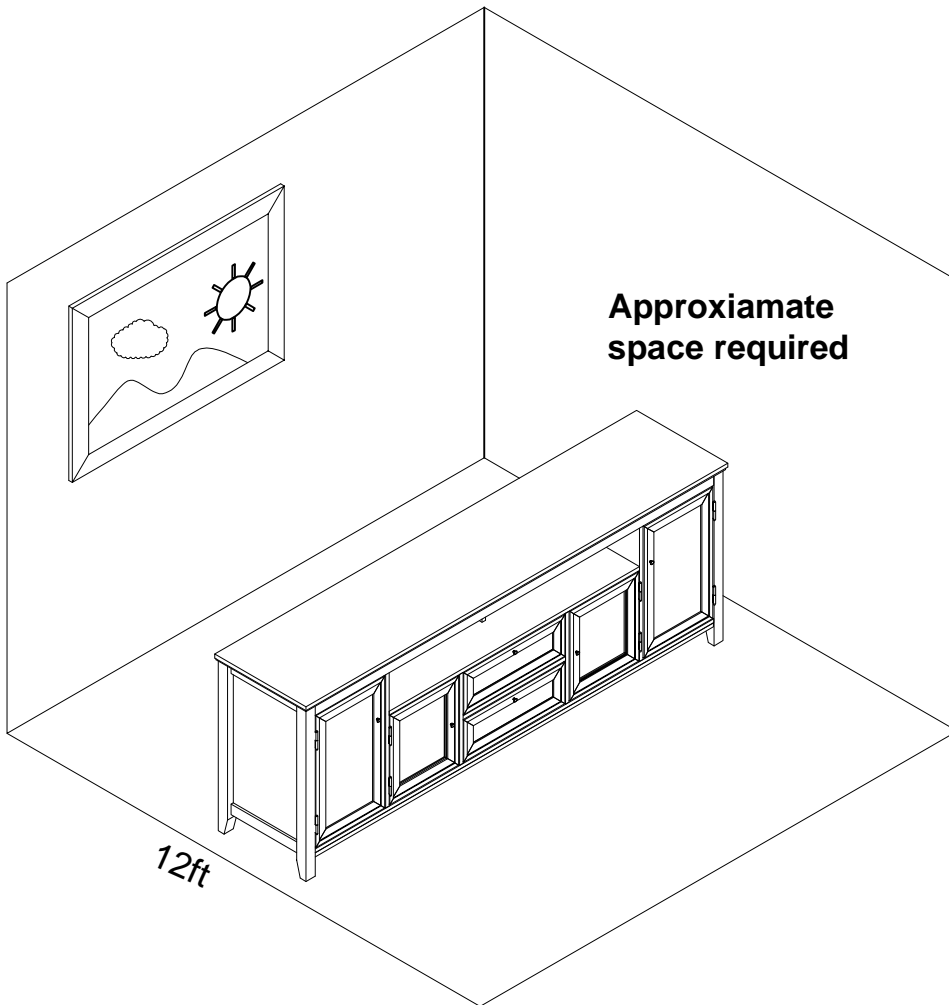
**OTHER QUESTIONS**



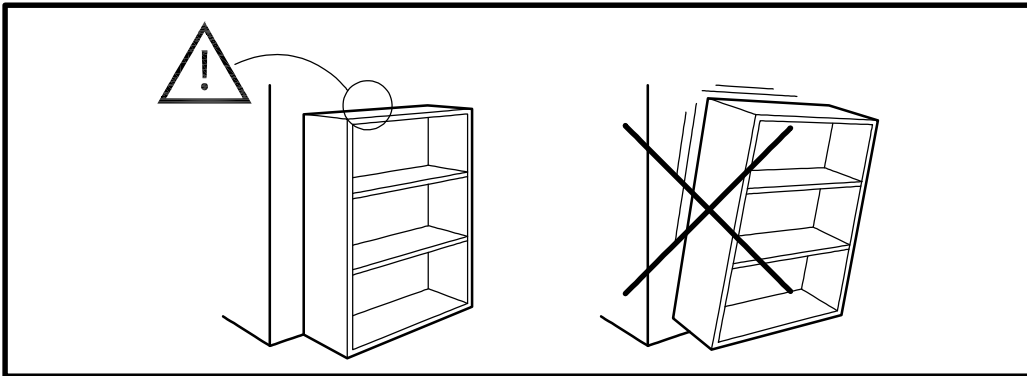
**20 min**



**Two People Required**



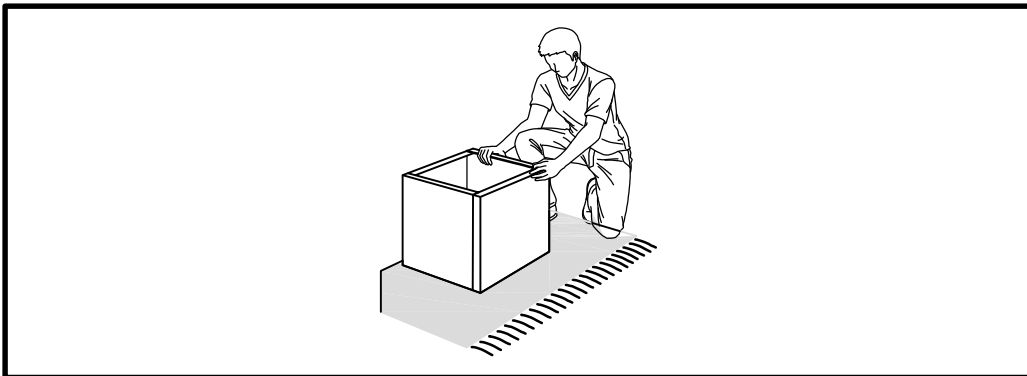
**Phillips Head**



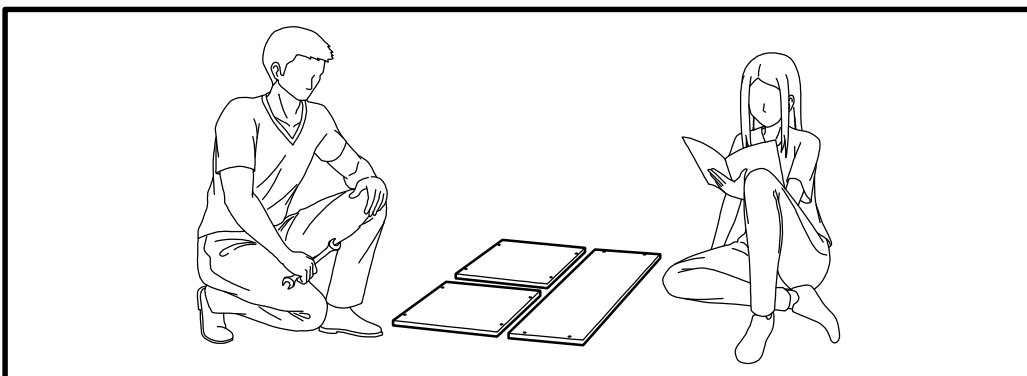
## Warning

Serious or fatal crushing injuries may occur if the furniture tip-over. Has must permanently fixed to the wall with included anti-tipping device to prevent the furniture from tipping over.

Different wall materials requires different types of fixing device, Use suitable fixing device to secure the stability and load bearing capacity of the furniture. If you are uncertain about which type of fixing device to use, please contact your local hardware store.



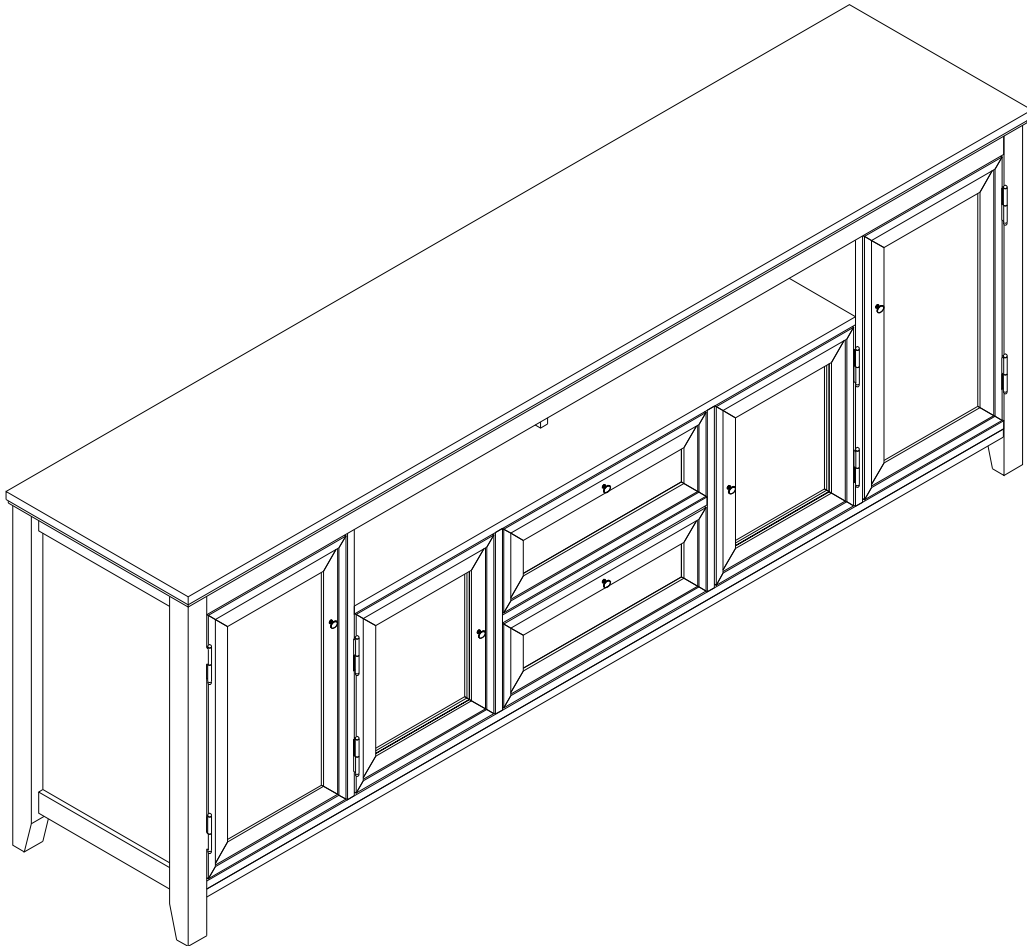
Assembly the on empty carton, carpet, or rug to prevent scratches or damage.



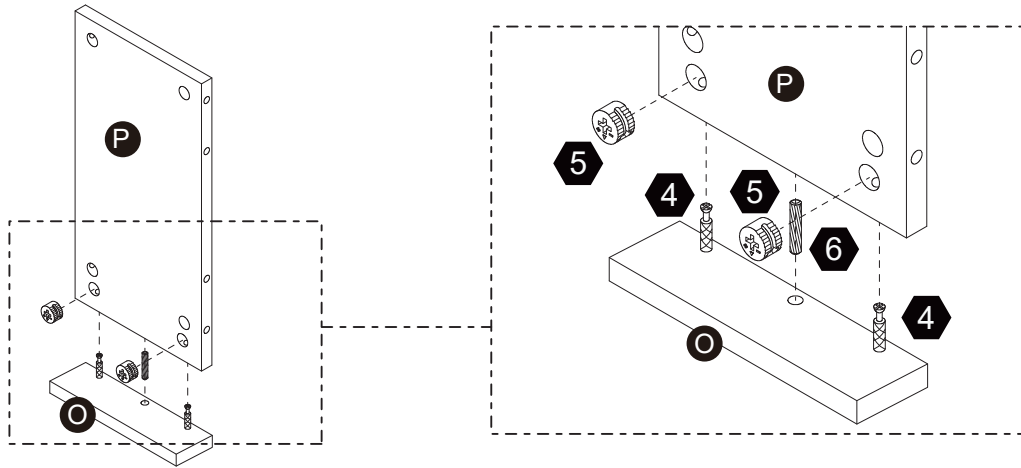
This requires 2 people to assembly.  
Make sure no parts are missing or damaged before assembly

## GENERAL INFORMATION, TIPS AND TRICKS

1. Please read the Assembly instructions prior to assembling this product.
2. Remove all hardware from the box and sort by size.
3. Check to see that all hardware and parts are present BEFORE assembling.
4. Ask a friend to assist you with the assembly.
5. To avoid damage, assemble the product on a sturdy, level and protective surface.
6. Please wait until all steps are completed before fully tightening bolts.
7. Make sure all screws and bolts are tightly fastened before the unit is used.

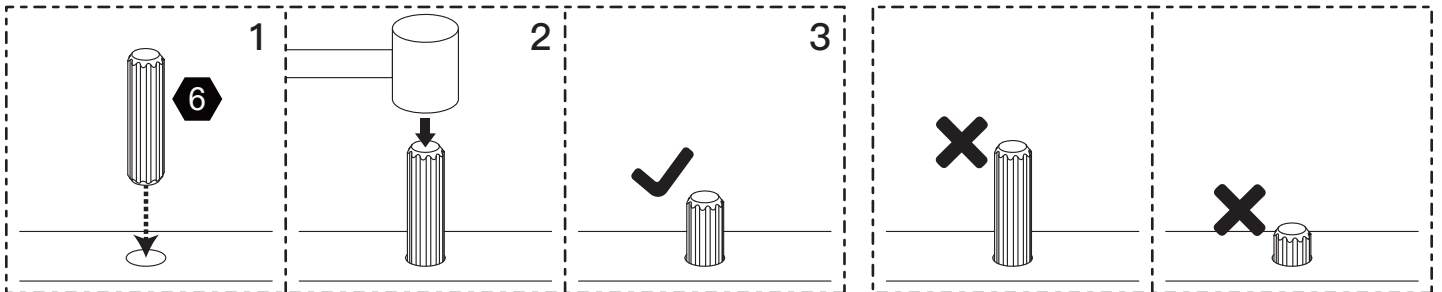


## How the Assembly System Works



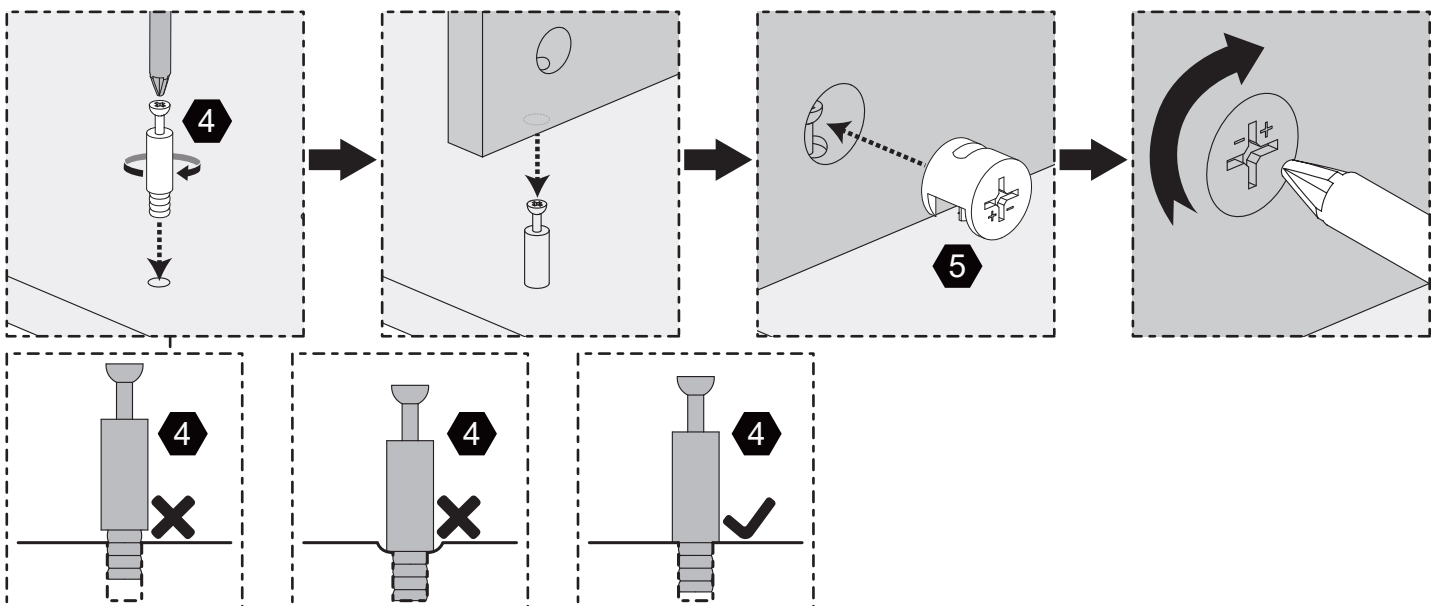
## How to Install Wood Dowel

Insert the wood dowel [6] at least half-way. IF NECESSARY, lightly tap the wood dowel with a self-supplied rubber mallet.



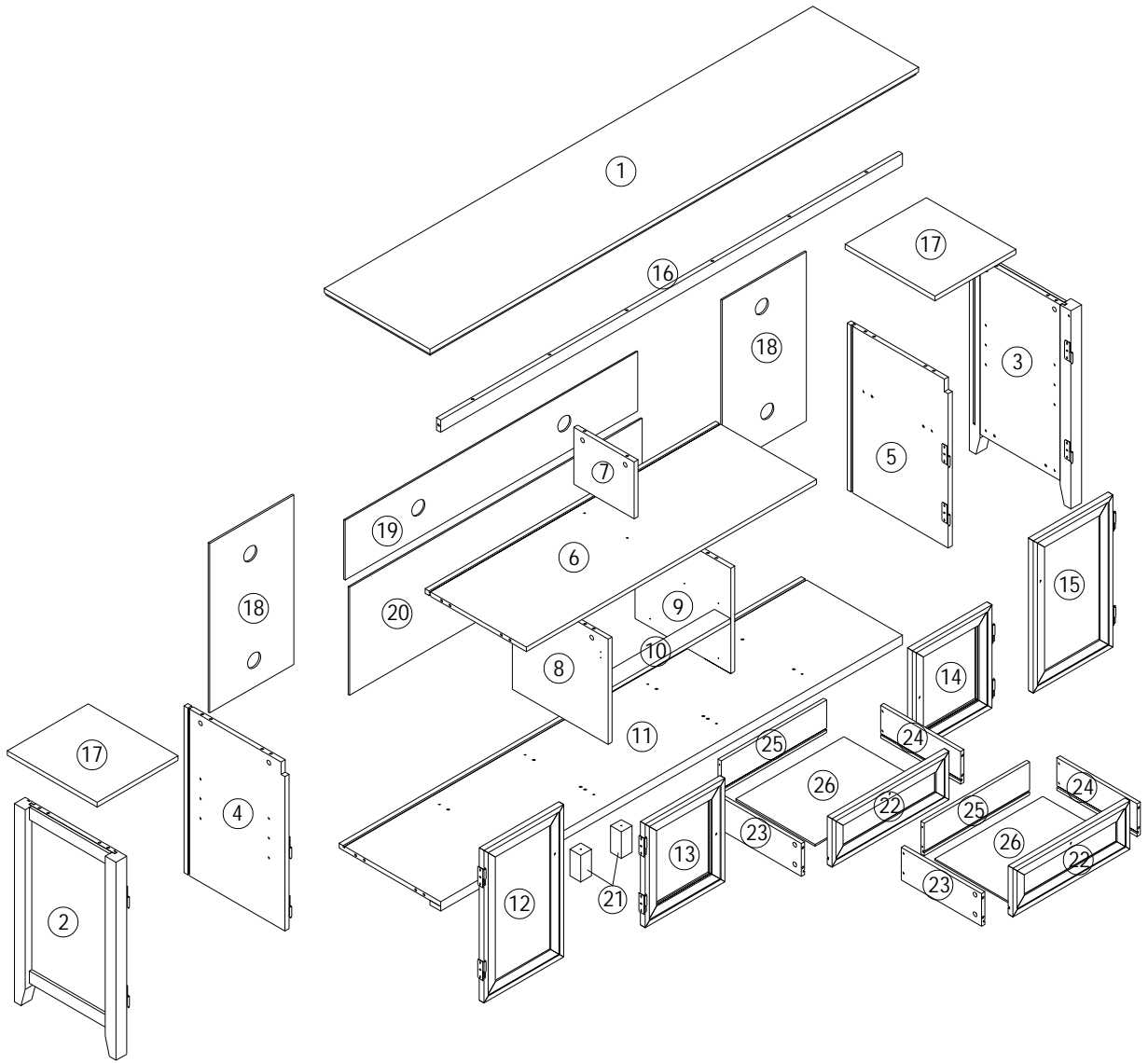
## Cam Lock System Operation

1. Screw the cam bolt [4] into the threaded insert on the panel.
2. Connect both panels together making sure cam bolt [4] goes into the pre-drilled large hole on the end of panel for cam lock [5].
3. Insert the cam lock [5] into the pre-drilled large hole on the panel. Make sure the cross slot of cam lock [5] faces out.
3. Rotate the cam lock [5] clockwise to lock the cam bolt [4] in place.

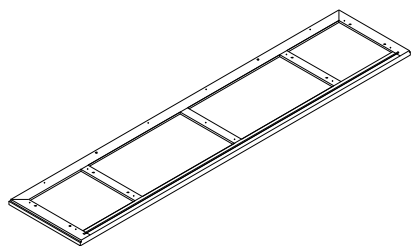


You are now ready to assemble the Fireplace TV Stand.

# CONTENTS

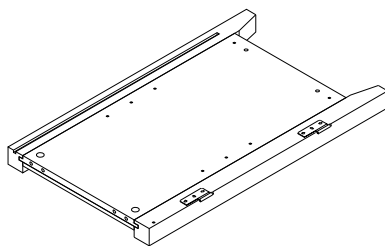


①



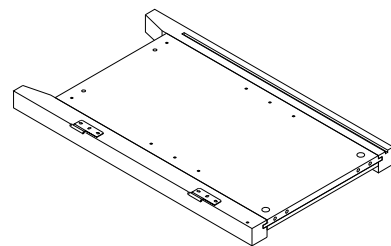
1pc

②



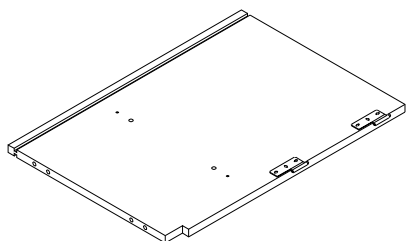
1pc

③



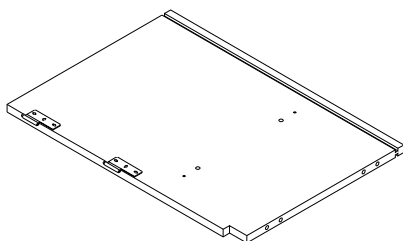
1pc

④



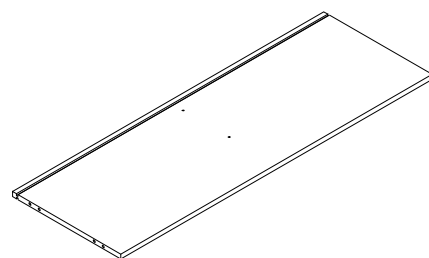
1pc

⑤



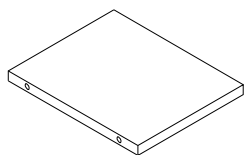
1pc

⑥



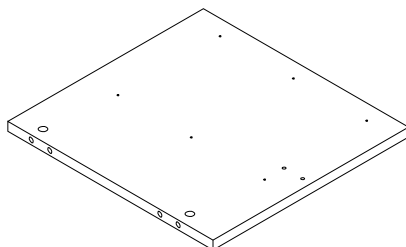
1pc

⑦



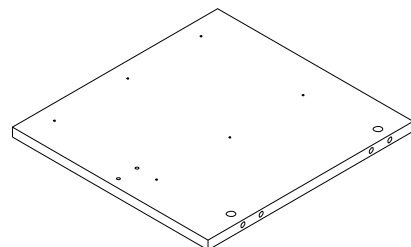
1pc

⑧



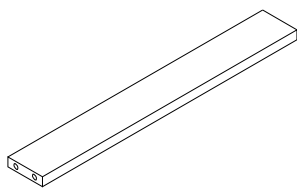
1pc

⑨



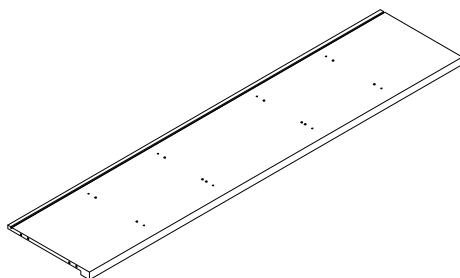
1pc

⑩



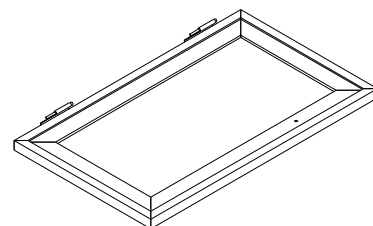
1pc

⑪



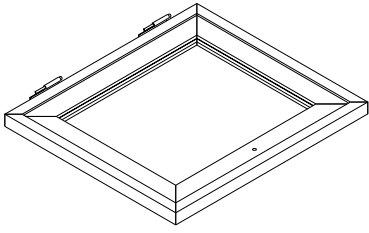
1pc

⑫



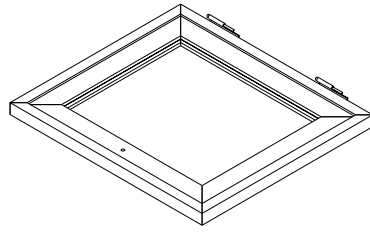
1pc

13



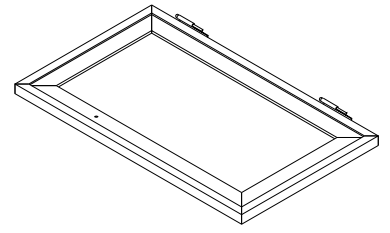
1pc

14



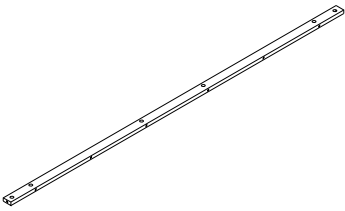
1pc

15



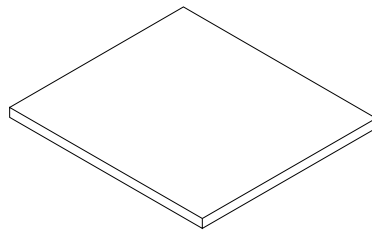
1pc

16



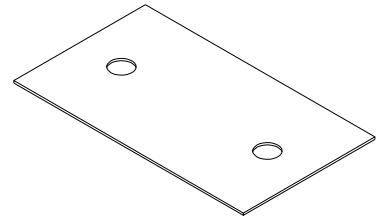
1pc

17



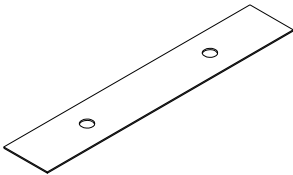
2pcs

18



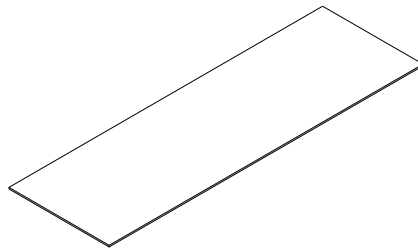
2pcs

19



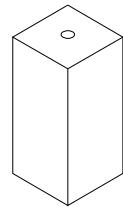
1pc

20



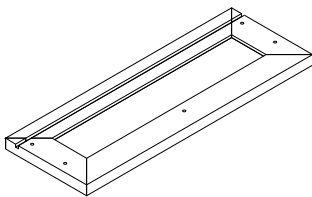
1pc

21



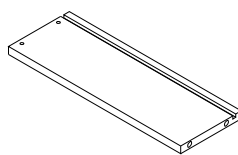
2pcs

22



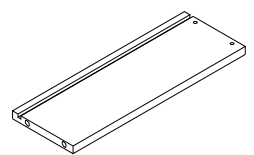
2pcs

23



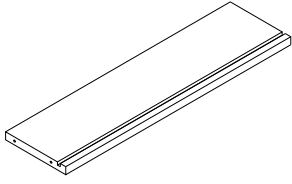
2pcs

24



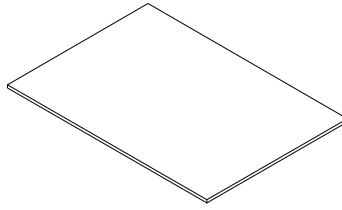
2pcs

25



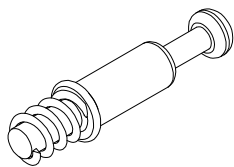
2pcs

26



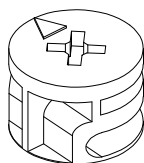
2pcs

A



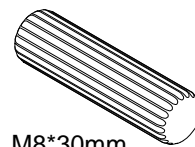
40pcs

B



40pcs

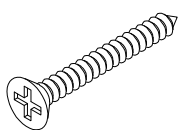
C



M8\*30mm

30pcs

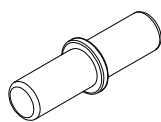
D



M4\*50mm

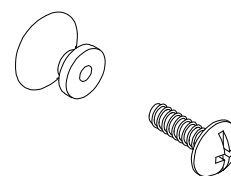
10pcs

E



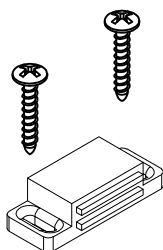
8pcs

F



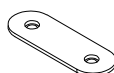
6pcs

G



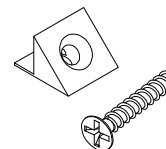
4pcs

H



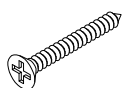
4pcs

I



16pcs

J



M4\*35mm

8pcs

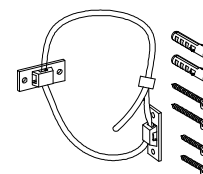
K



M3\*12mm

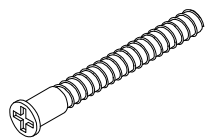
32pcs

L



2pcs

M



2pcs

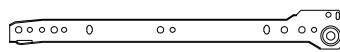
CL



300mm

2pcs

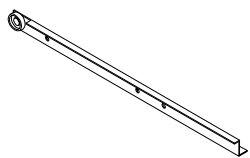
CR



300mm

2pcs

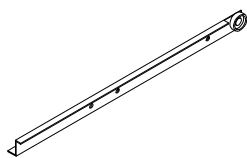
DL



300mm

2pcs

DR



300mm

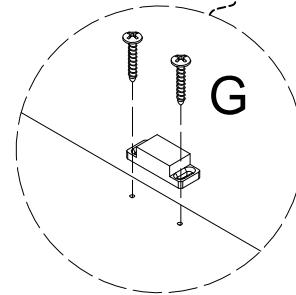
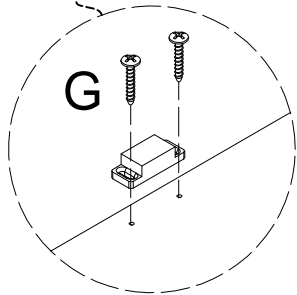
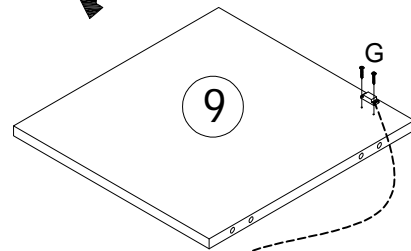
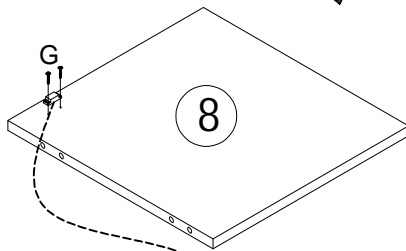
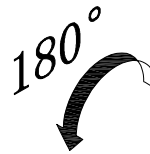
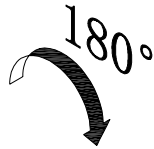
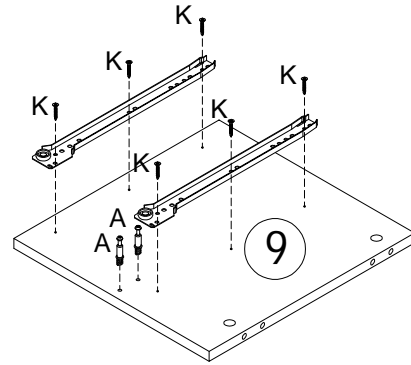
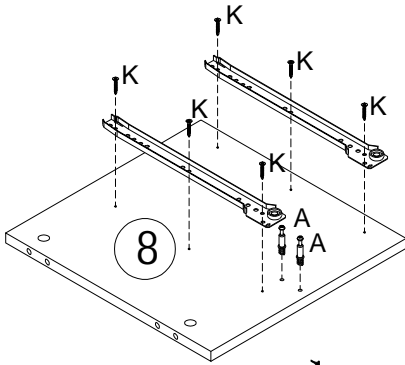
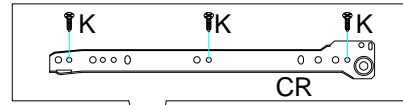
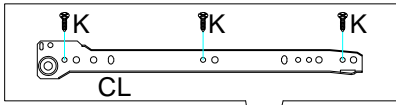
2pcs



1pc

# Assembly Steps

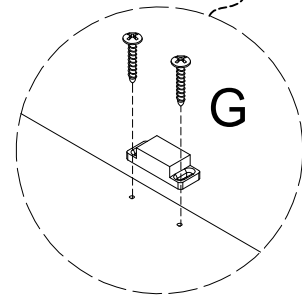
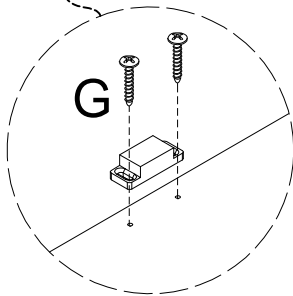
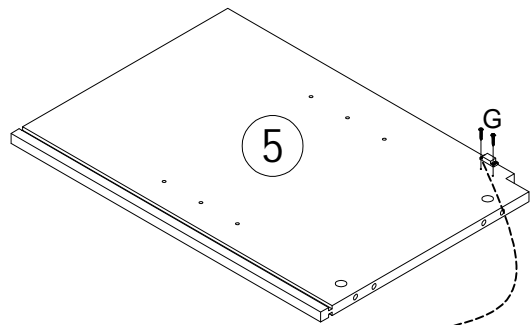
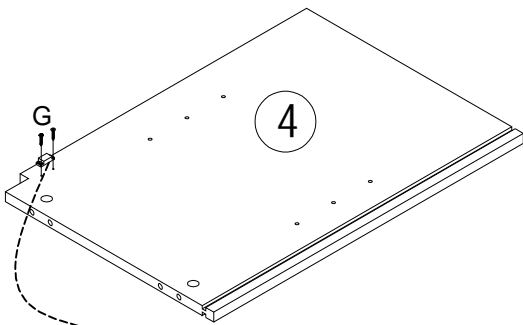
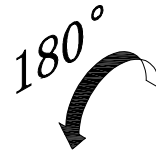
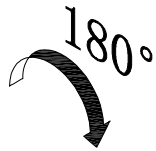
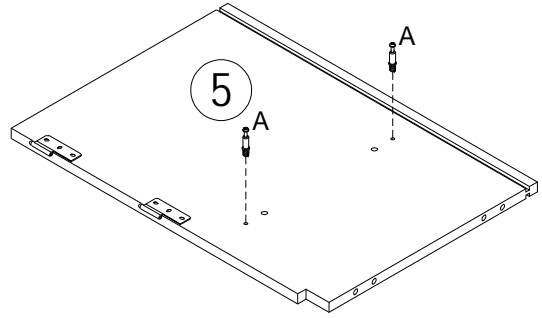
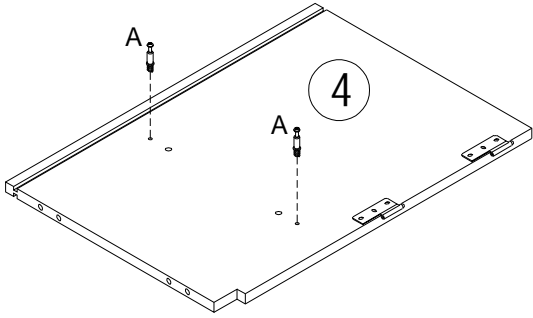
## Step 1


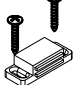


- |    |  |     |
|----|--|-----|
| A  |  | x4  |
| G  |  | x2  |
| CL |  | x2  |
| CR |  | x2  |
| K  |  | x12 |

# Assembly Steps

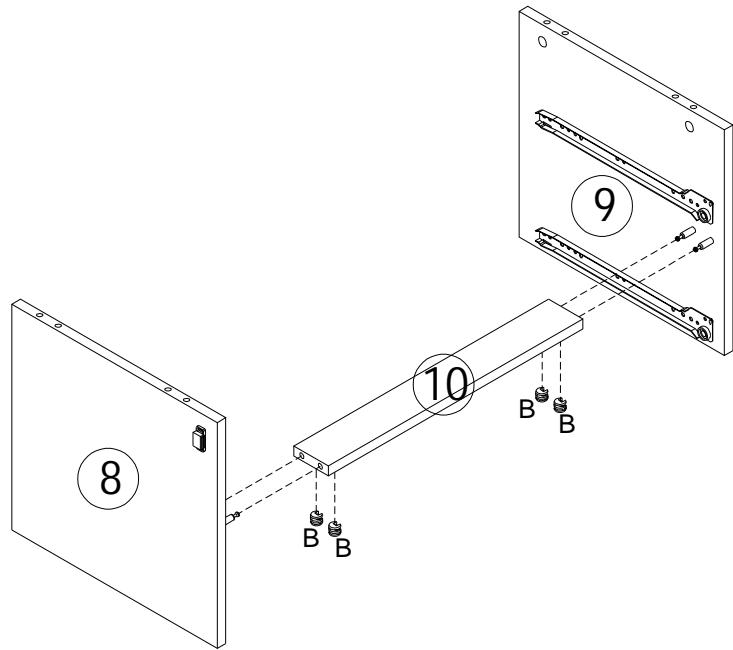
## Step 2



- A  x4
- G  x2

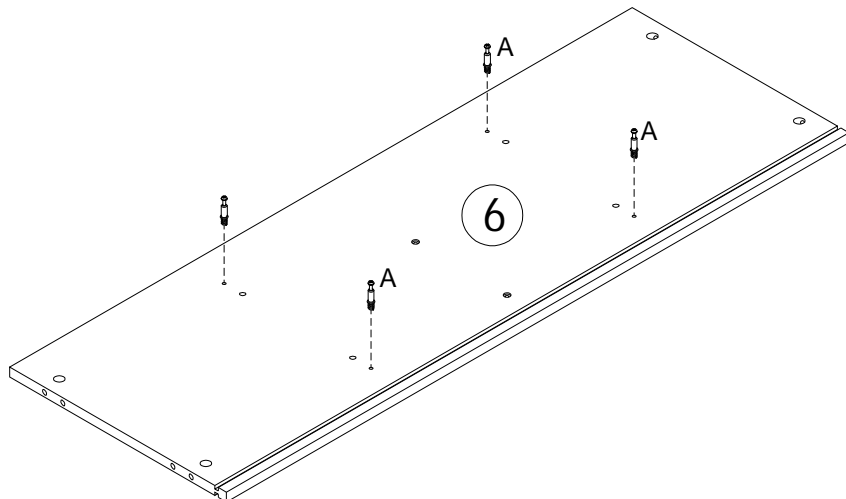
# Assembly Steps

## Step 3



B  x4

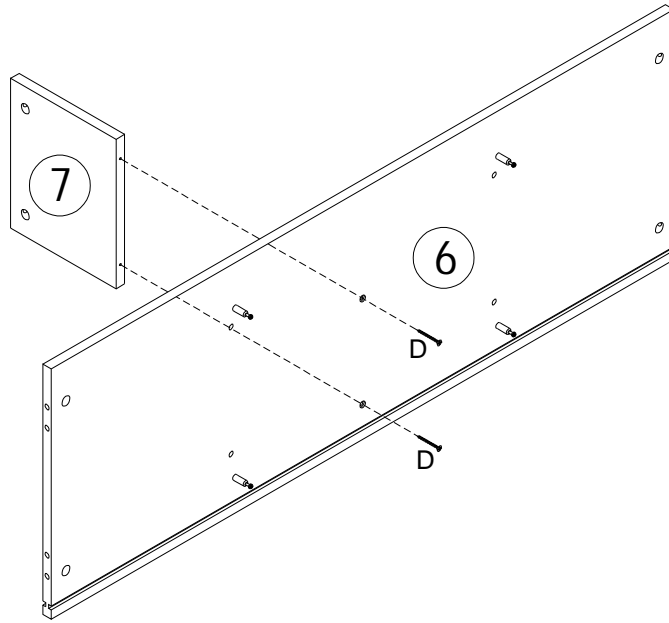
## Step 4



A  x4

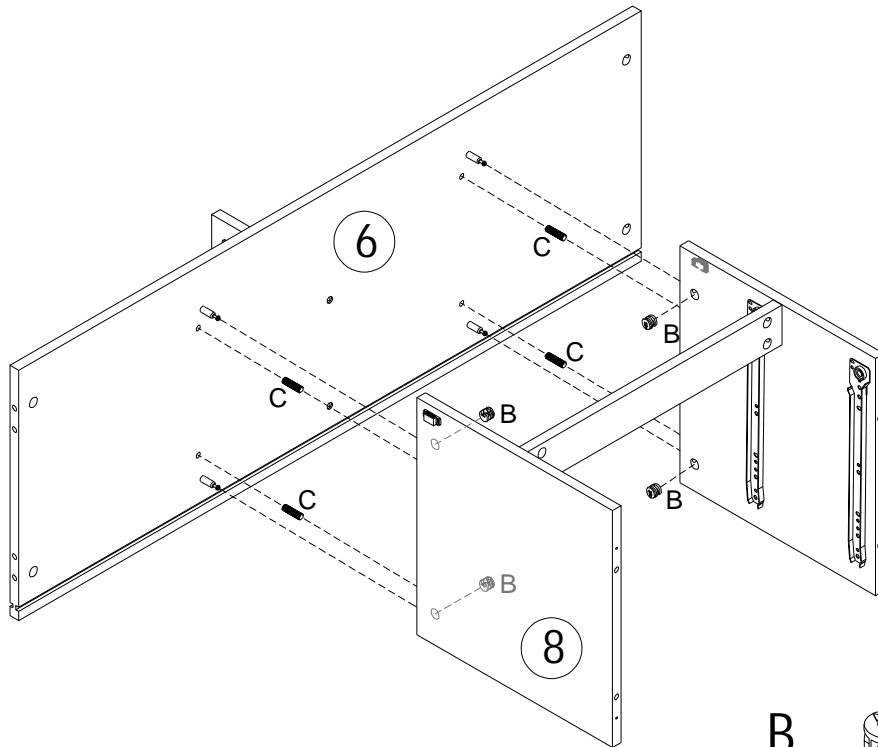
# Assembly Steps



## Step 5



D  x2

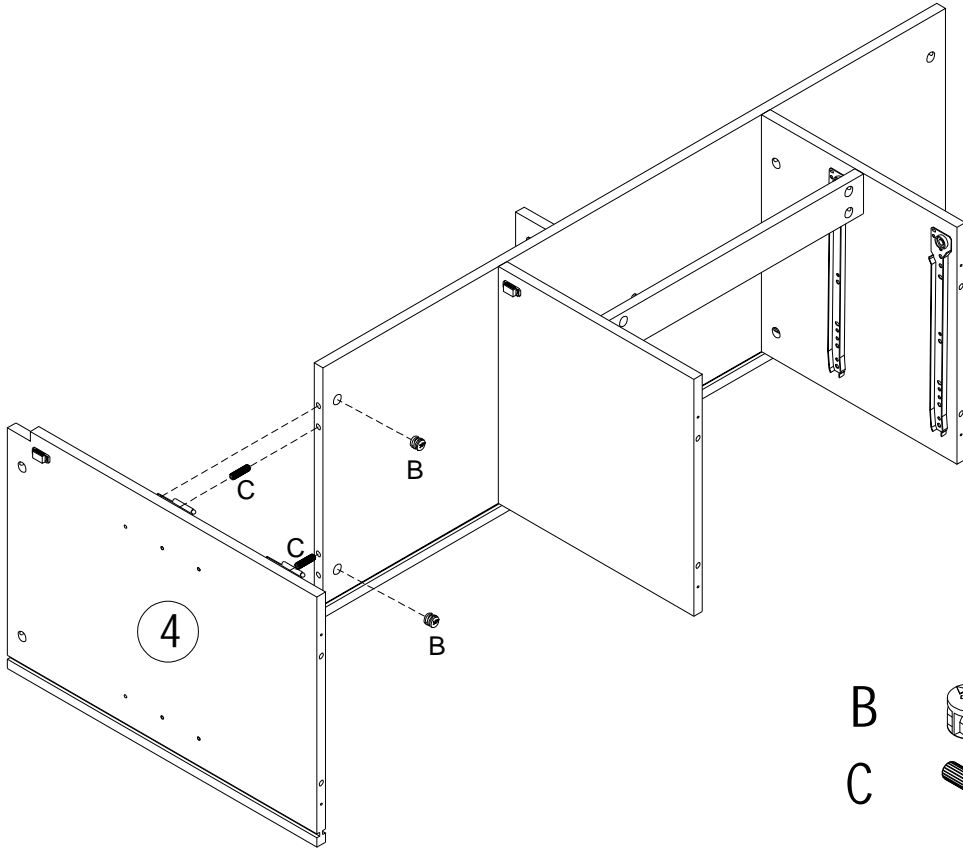
## Step 6





B  x4  
C  x4

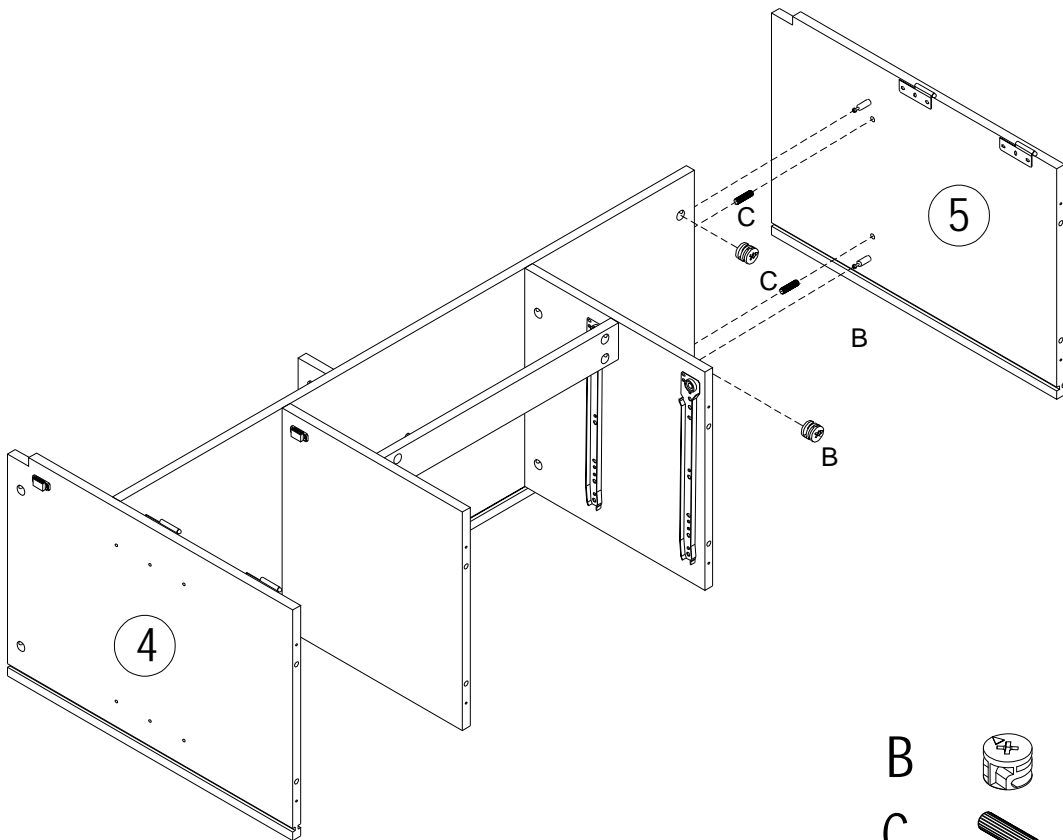
# Assembly Steps



## Step 7



- B  x2
- C  x2

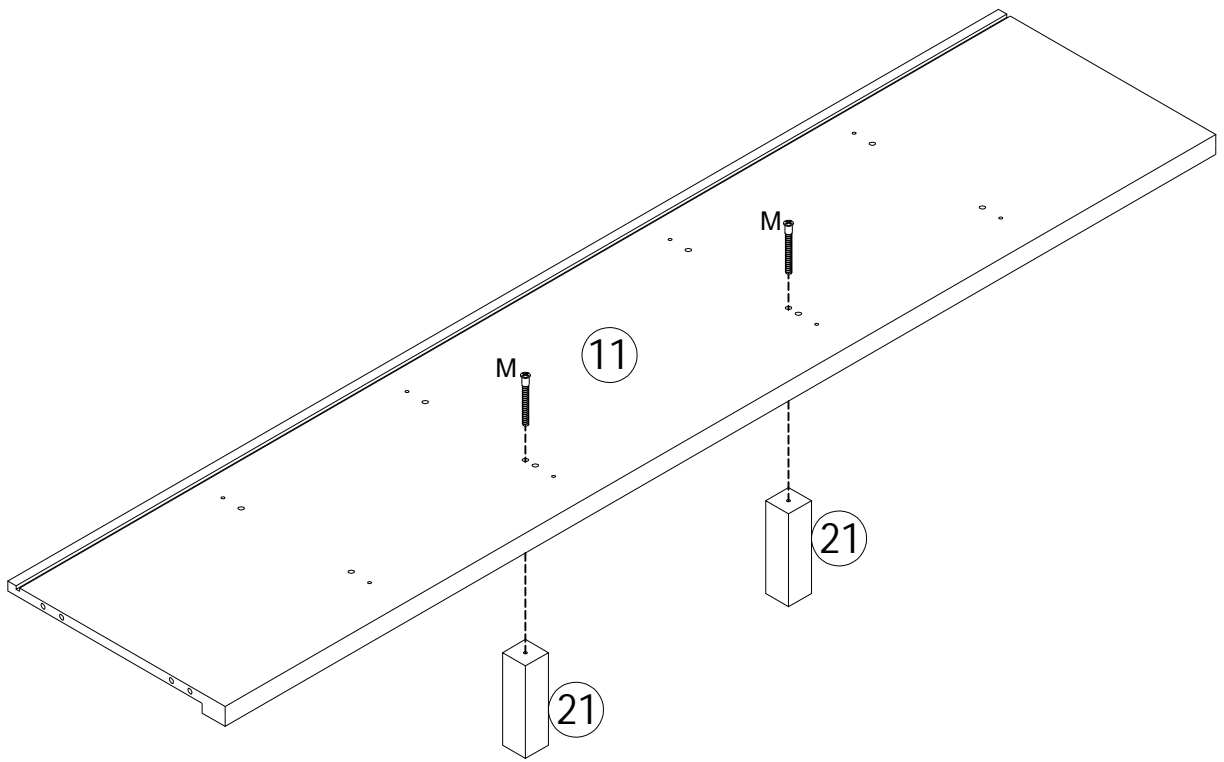
## Step 8



- B  x2
- C  x2

# Assembly Steps

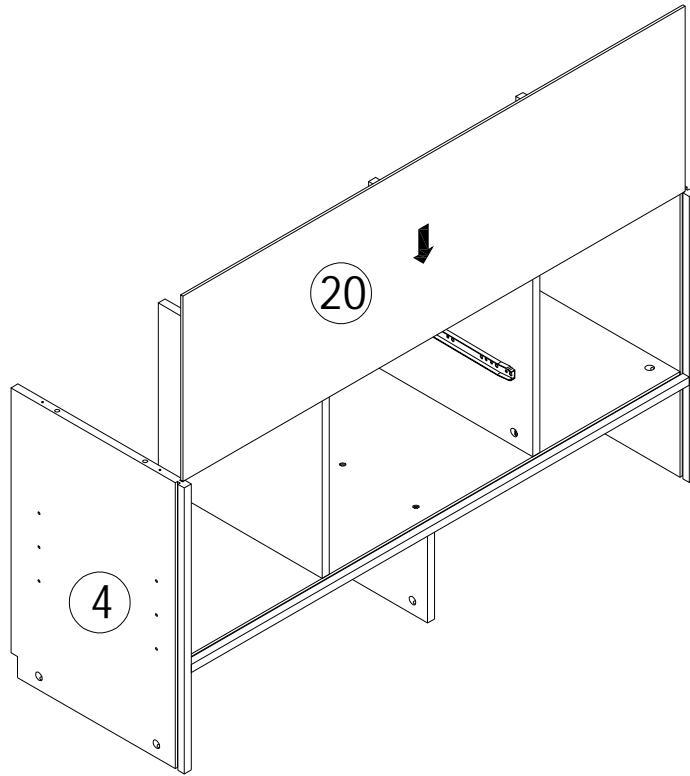
## Step 9



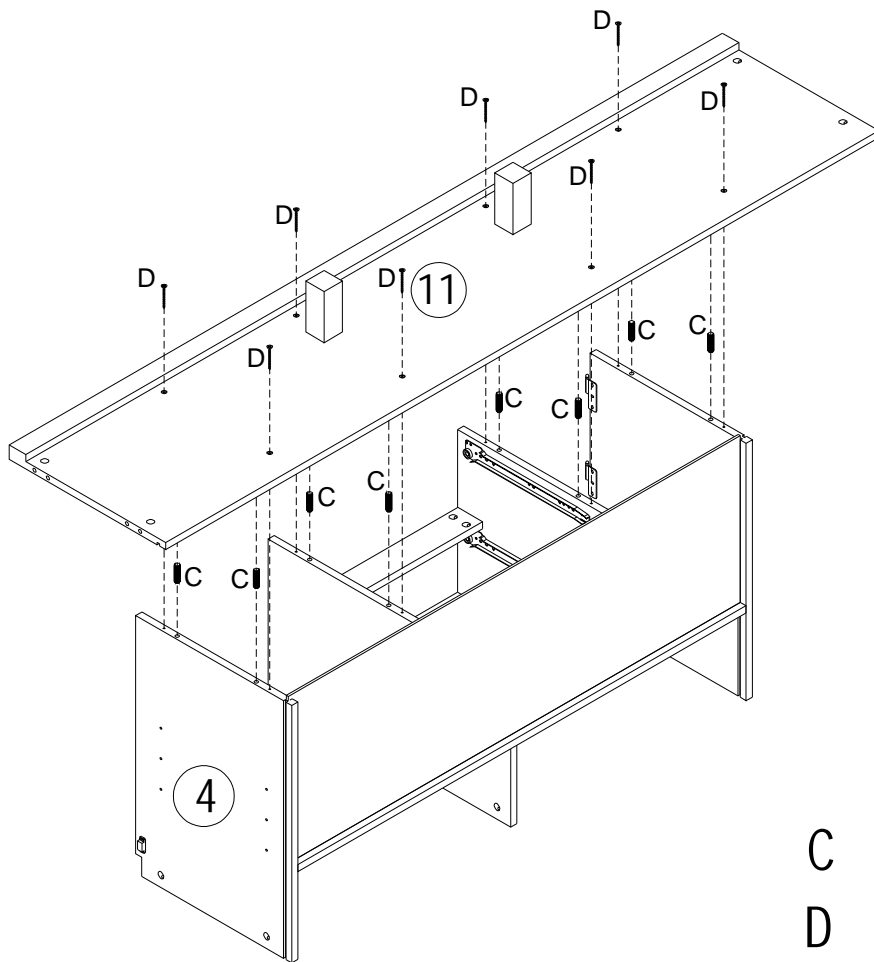
M  x2



# Assembly Steps

## Step 10



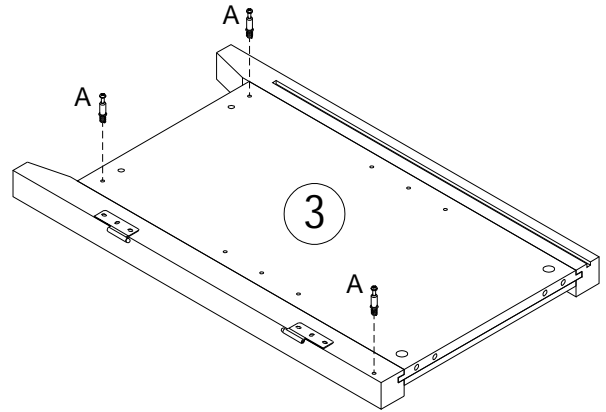
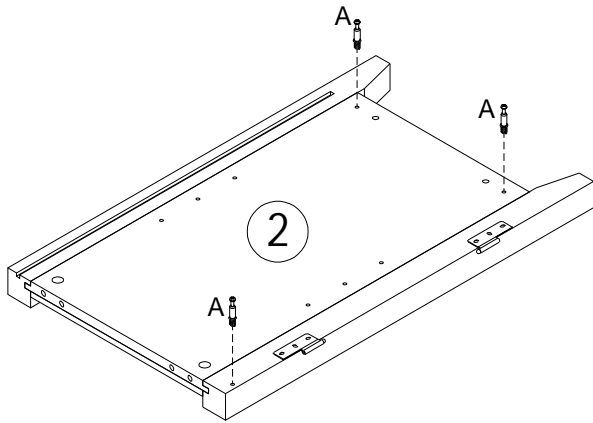
## Step 11



- C  x8
- D  x8

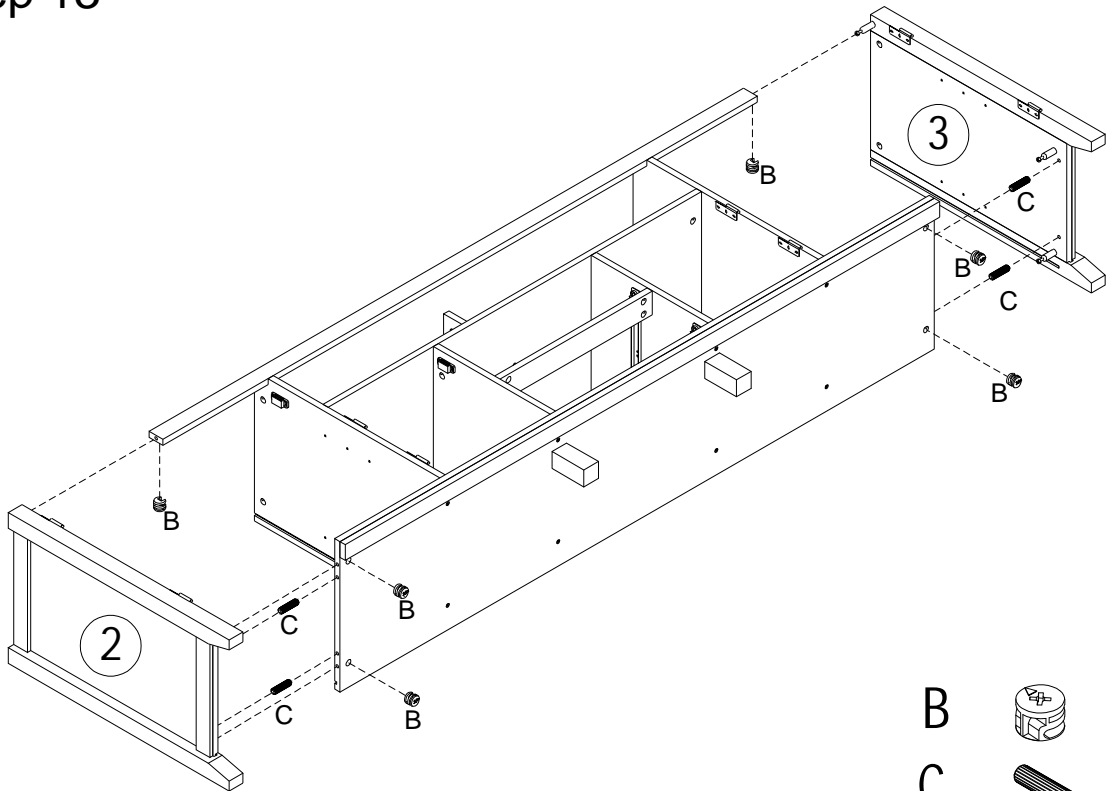
# Assembly Steps

## Step 12



A  x6

## Step 13

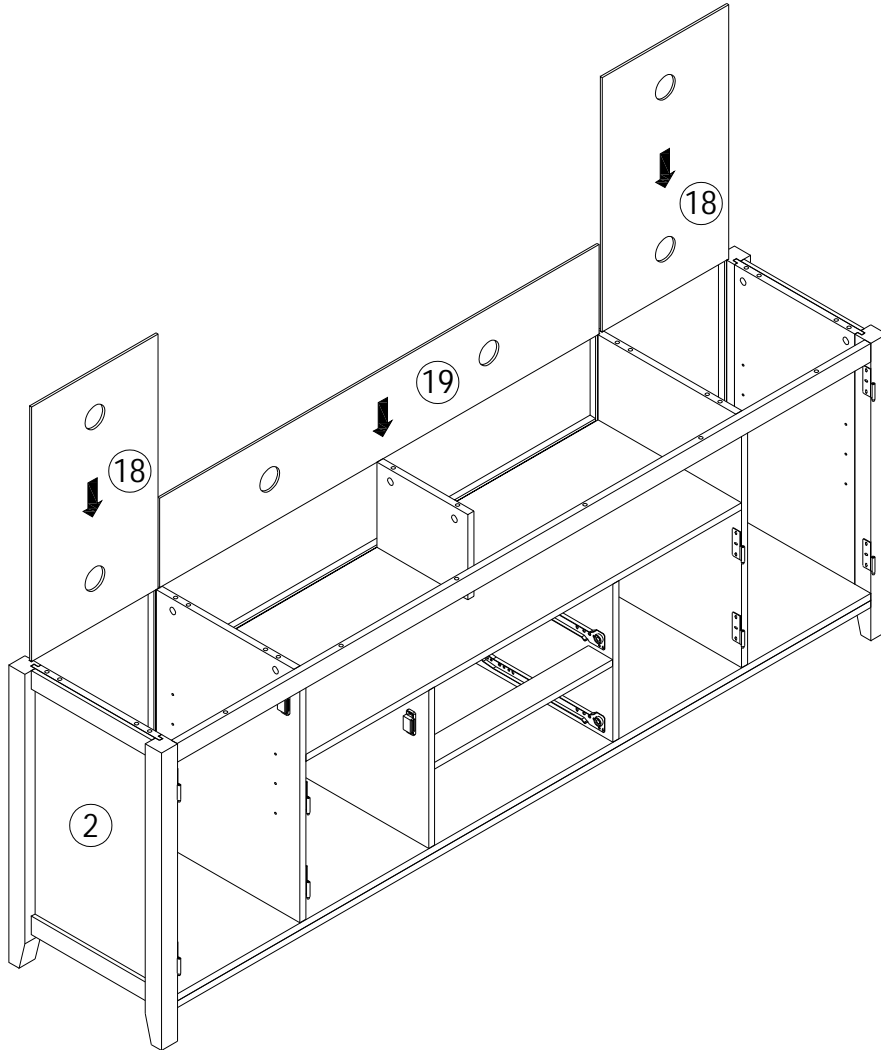


B  x6

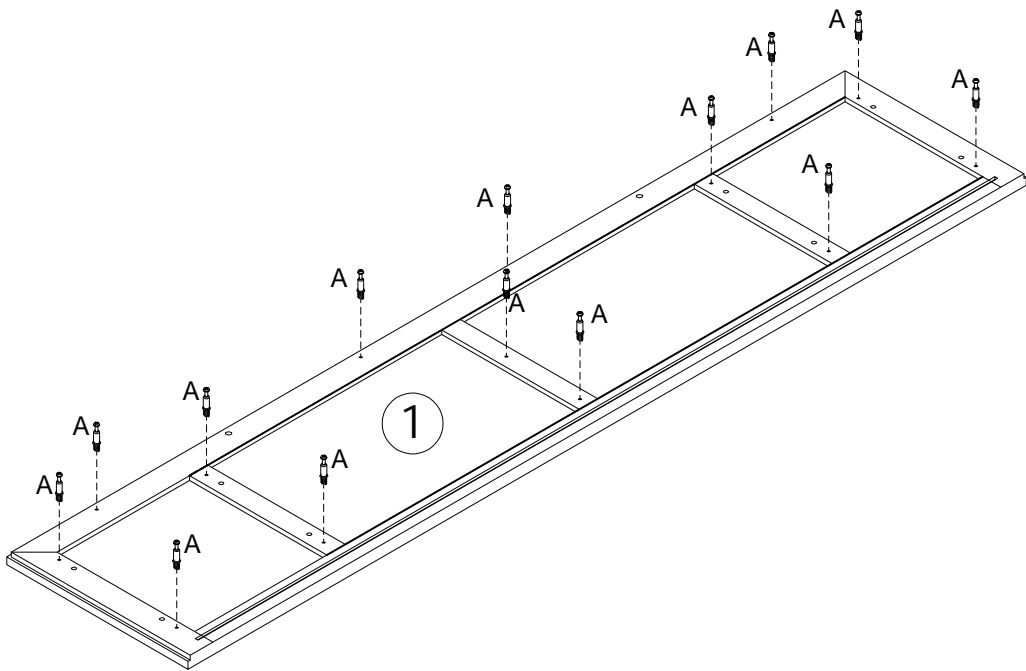
C  x4

# Assembly Steps

## Step 14



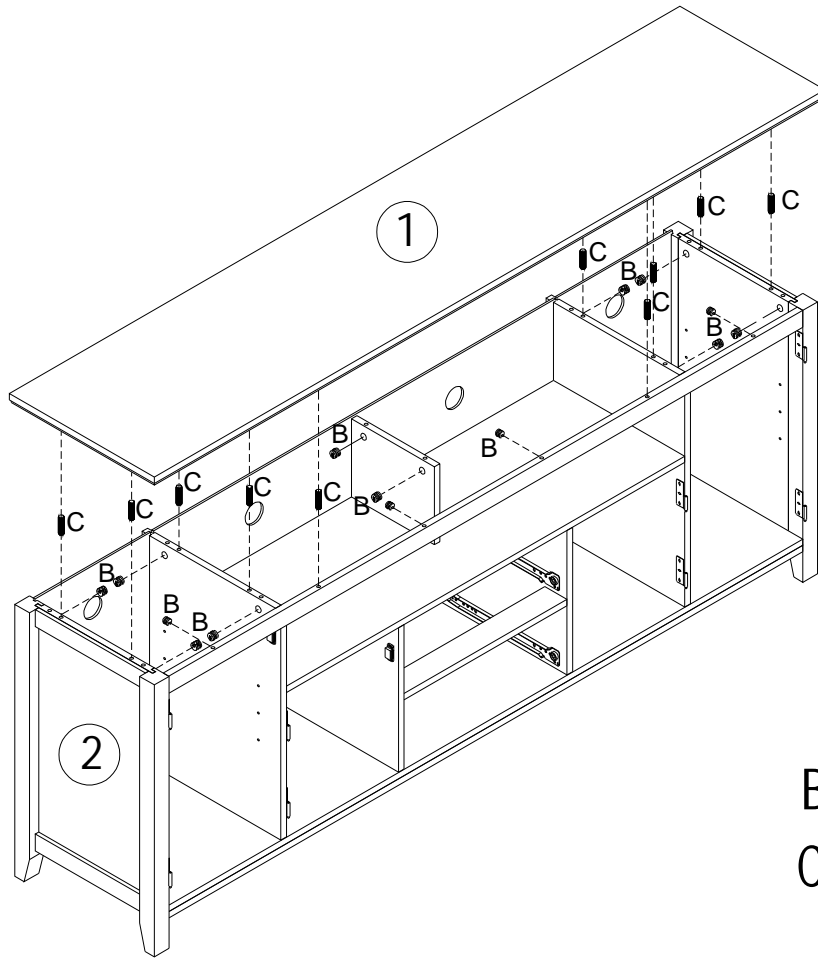
## Step 15





A  x14

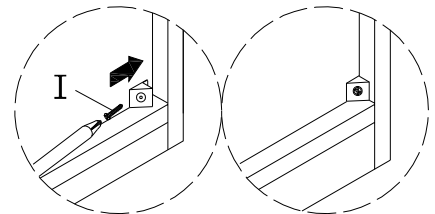
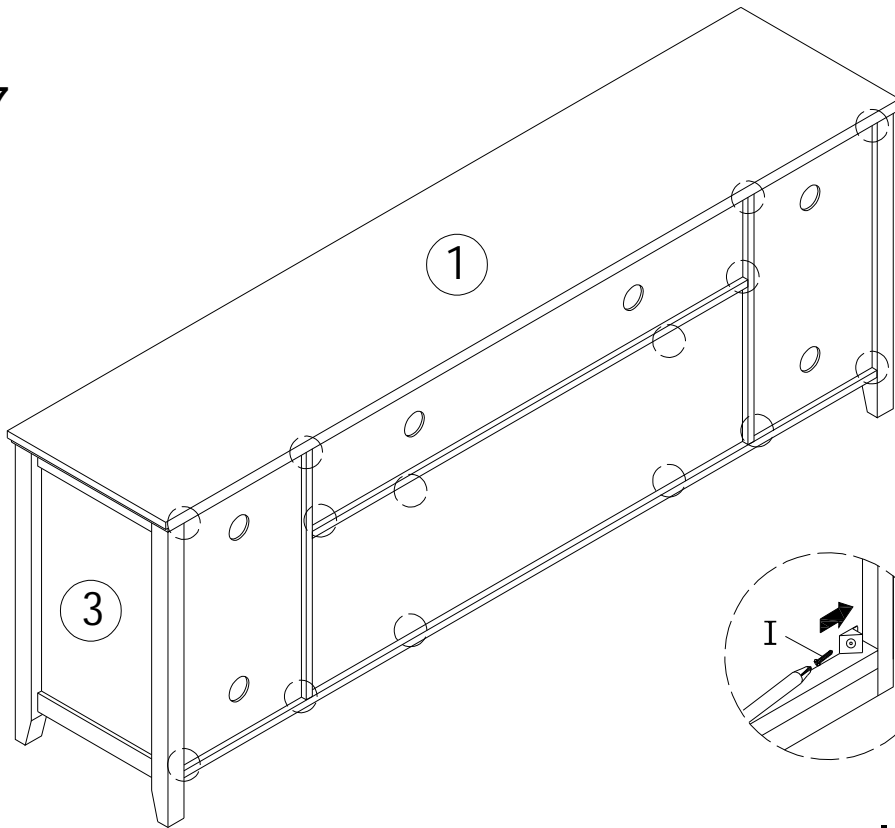
# Assembly Steps

## Step 16



- B  x14
- C  x10

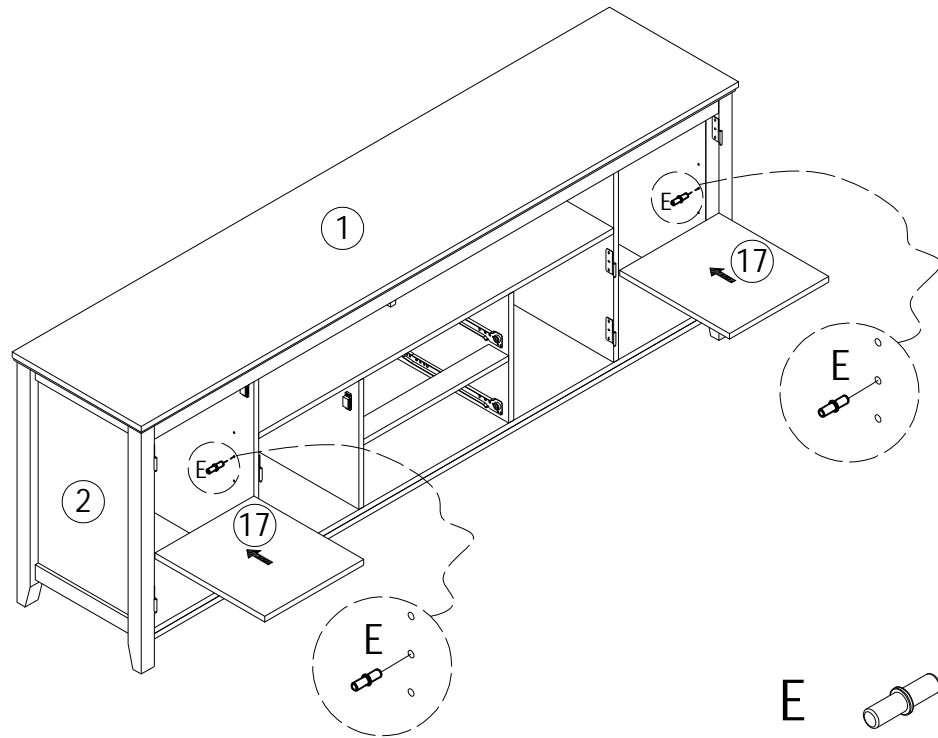
## Step 17



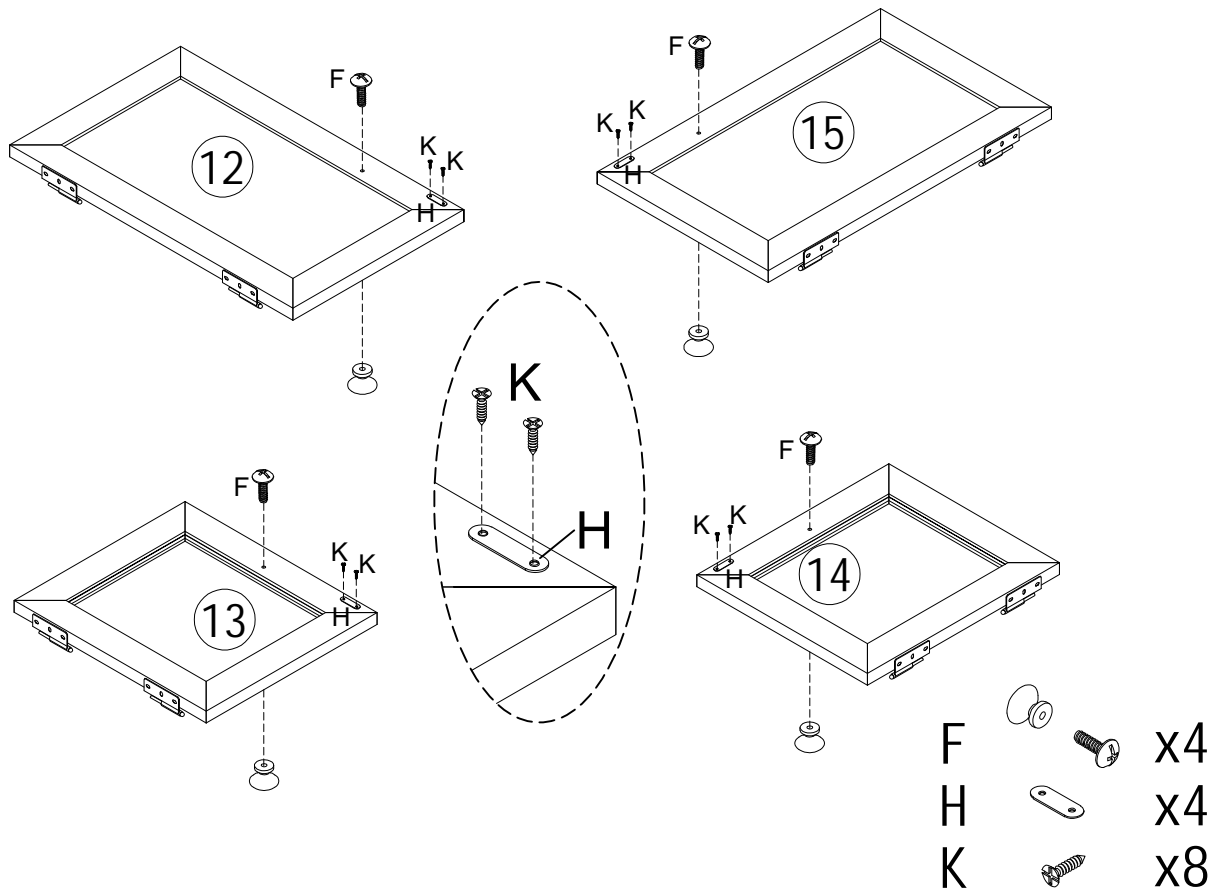
- I  x16

# Assembly Steps

## Step 18

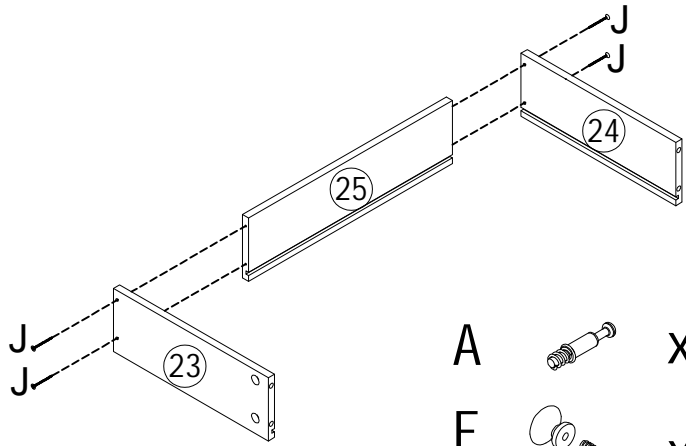
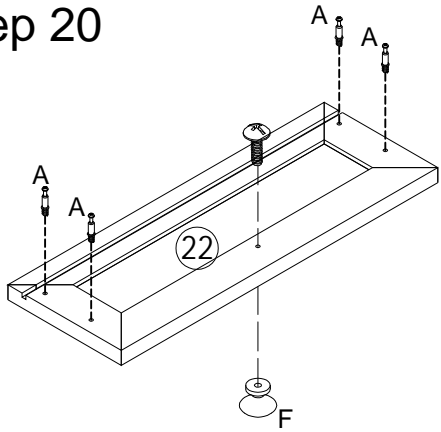


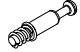
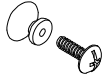

## Step 19

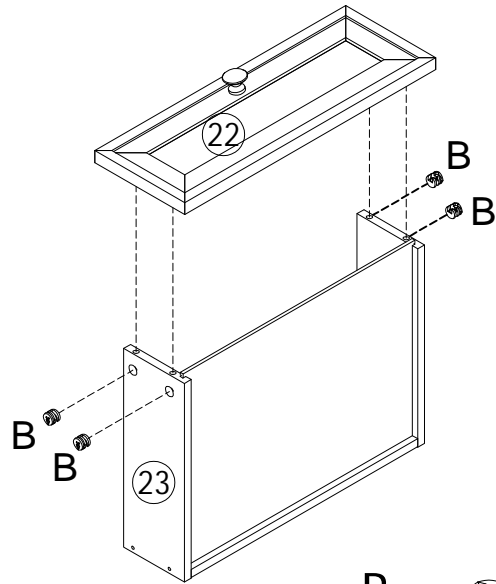
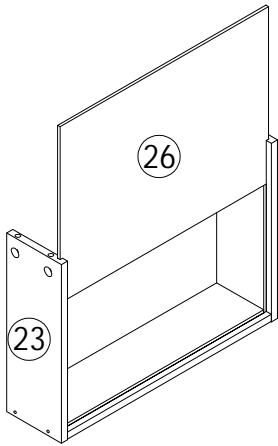


# Assembly Steps

## Step 20

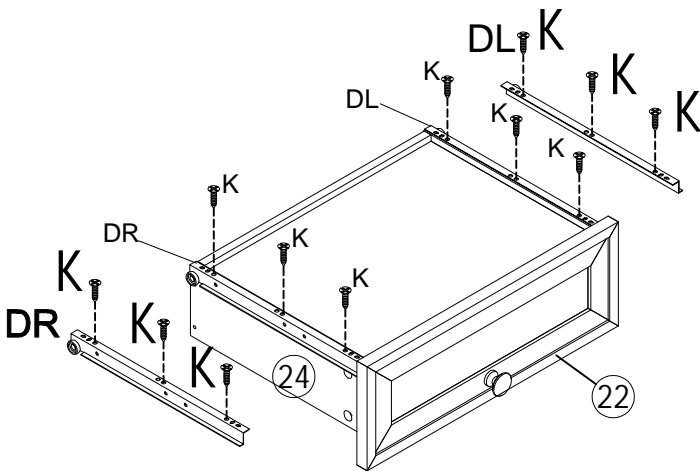





- A  x8
- F  x2
- J  x8



- B  x8

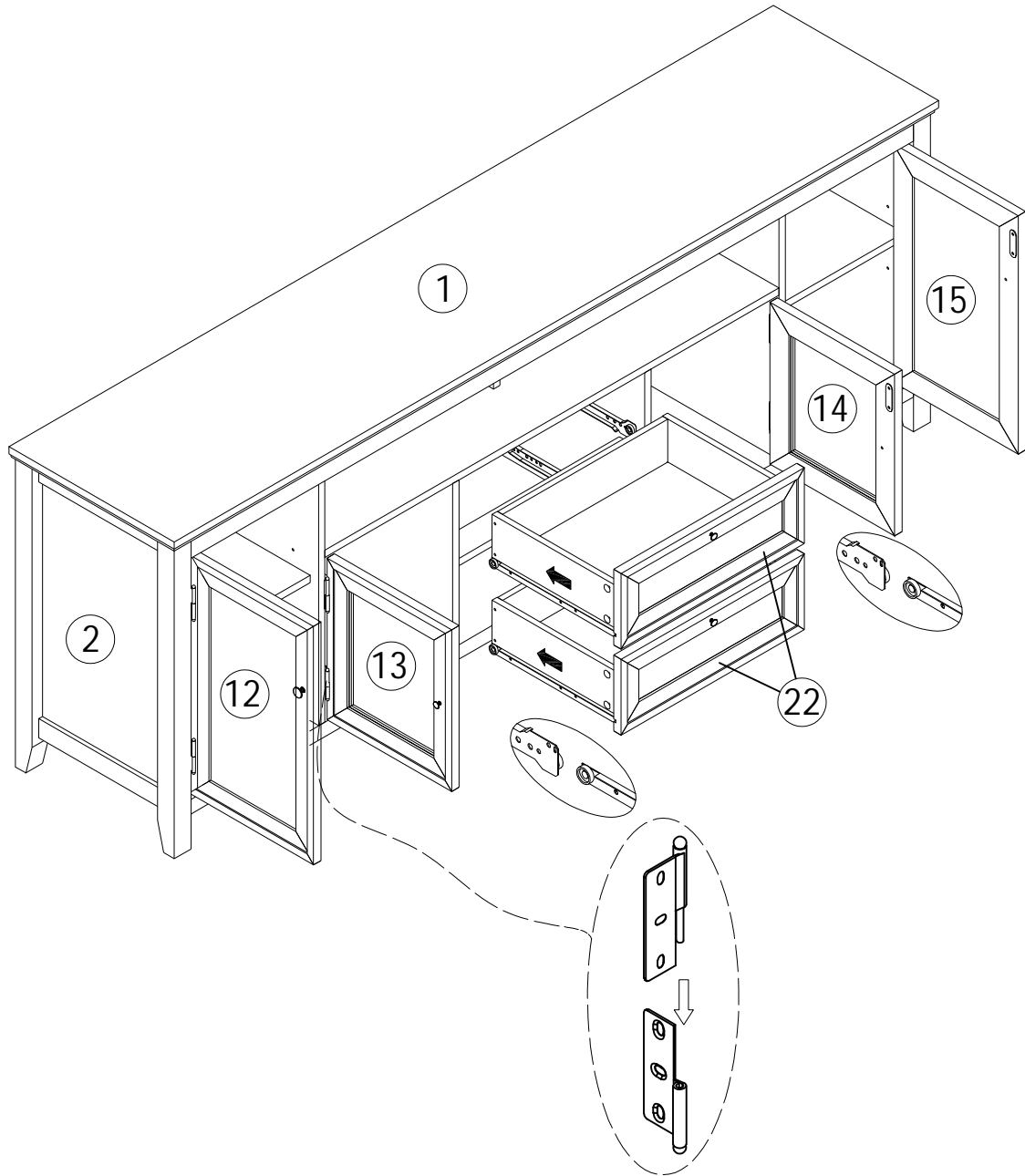
# X2



- DL  x2
- DR  x2
- K  x12

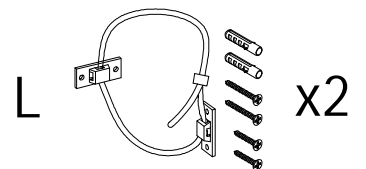
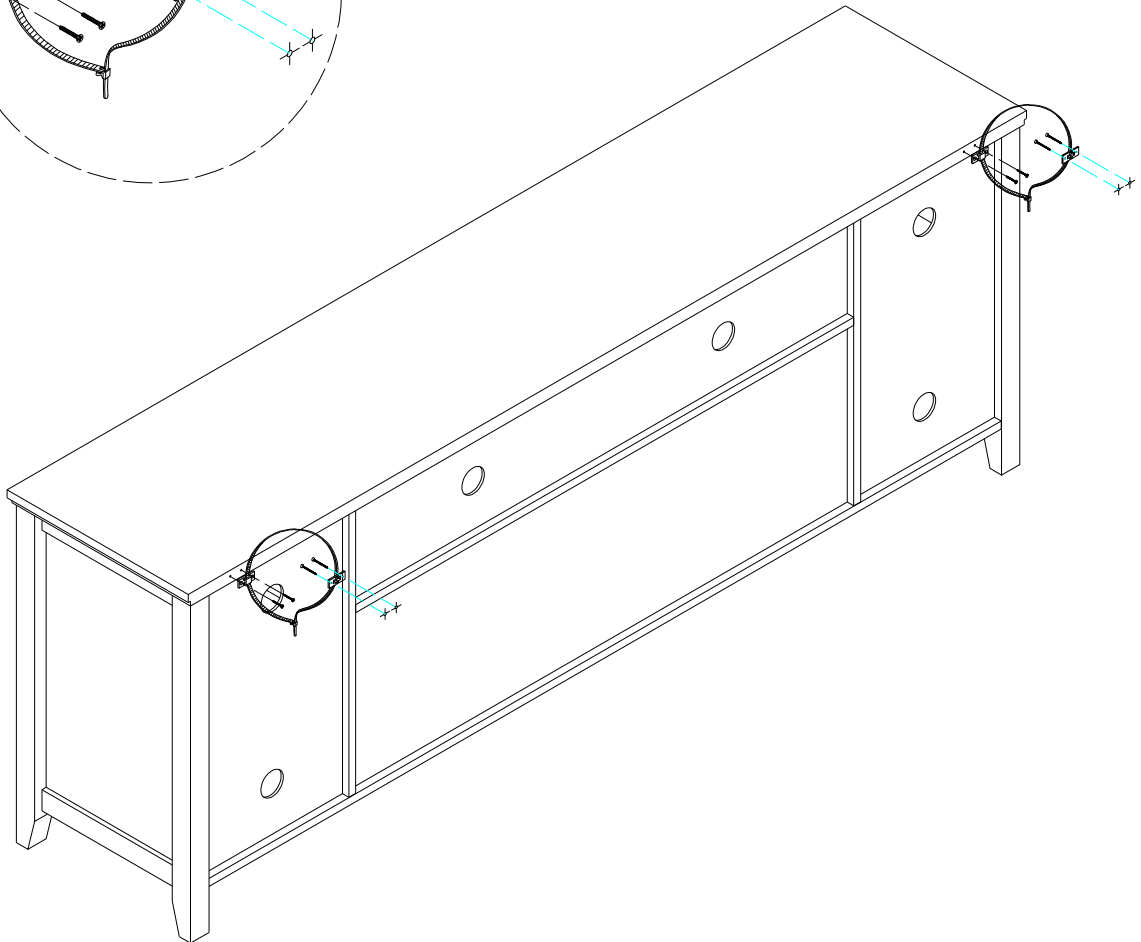
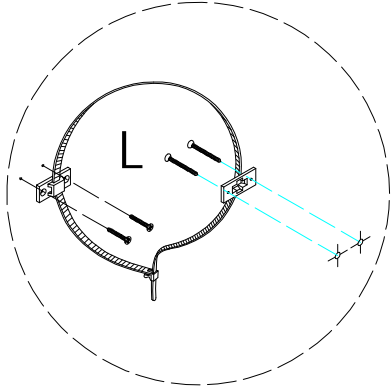
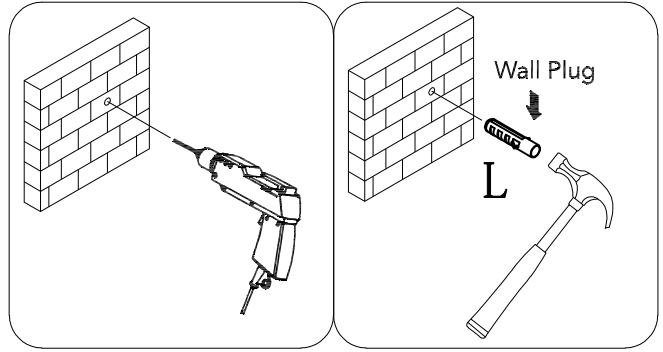
# Assembly Steps

## Step 21



# Assembly Steps

## Step 22



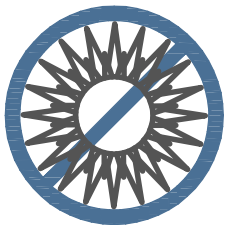
# MAINTENANCE TIPS



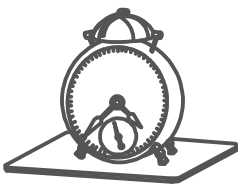
Never let liquids or damp cloths sit on this furniture.



Never use chemical cleaning products, they can damage the finish. For cleaning, use only a slightly damp cloth and wipe dry.



To avoid dulling of the finish, do not place furniture in direct sunlight.



Do not put plastic or rubber rings under appliances. Use cloth or felt protectors.



To clean, use a soft or slightly damp cloth, then wipe with a clean, dry cloth.

## FURNITURE CARE AND MAINTENANCE

### Medium-Density Fiberboard

Thank you for your purchase. We want your item to last as long as possible. To ensure the product gives you years of service, please refer to this care and maintenance guide.



#### MAINTENANCE

- Tighten all bolts and screws again within the first 2 weeks of assembly.
- Check the tightness of all bolts every 2 months, tighten them if necessary.



#### CLEANING

- Clean the surface of the MDF (medium -density fiberboard) with a lightly dampened cloth.
- Small amount of mild soap can be used if necessary.
- Dry the surface immediately after cleaning.

⚠ DO NOT use bleach or alcohol detergent to clean the surface.

⚠ DO NOT apply wood treatment on parts made with MDF.

Medium -density fiberboard will swell and distort when suffer from water damage. Make sure to dry the furniture immediately after cleaning

#### ⚠ WARNING

Manufacturer and seller expressly disclaim any and all liability for personal injury, property damage or losses, whether direct, indirect, or incidental, resulting from the incorrect attachment, improper use, inadequate maintenance, unapproved modification or neglect of this product.

## Warranty

Our products come with a 1 year warranty from the date of purchase. In any event that the product arrives damaged or missing parts, we are more than happy to provide you with replacement part(s).  
**Register your product on our website to enjoy extended warranty!!**

## Easy Return

We work hard to make sure order arrives safe and secure, but rest assured we will take care of it if it is not up to standard. If you need replacement parts, Contact us we will send you replacements with no hassle.



Contact Us



Replacement



You

You don't have to worry about re-packaging / schedule pick-up.