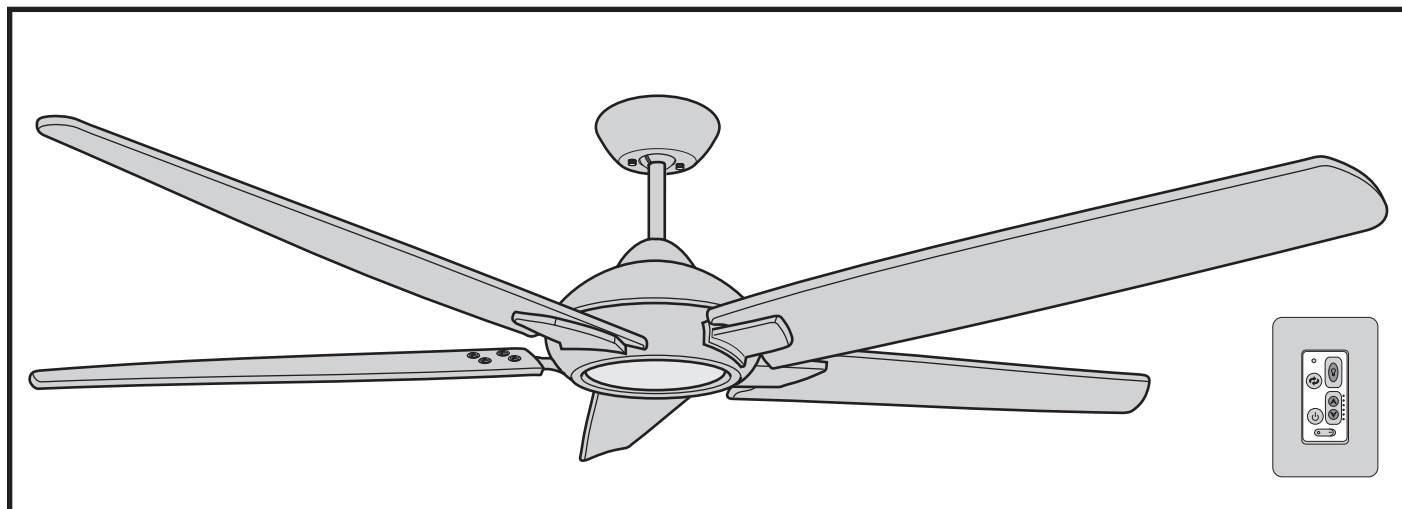


READ AND SAVE THESE INSTRUCTIONS

MODERN



Ceiling Fan Owner's Manual

Brushed Steel

Graphite

Oil Rubbed Bronze

Net Weight: **16.3** Lbs.

Questions, problems, missing parts: Before returning to the store call Customer Service

- Español - página 33
- Français - page 65

Table of Contents

| Section | Page |
|-------------------------------------------------|-------|
| Safety Instructions | 2 |
| 1. Unpacking Instructions | 3-4 |
| 2. Electrical Requirements | 4 |
| 3. Ceiling Fan Assembly | 5-11 |
| 4. How to Hang Your Ceiling Fan | 12-13 |
| 5. How to Wire Your Ceiling Fan | 14-18 |
| 6. Final Assembly | 19 |
| 7. Wall Control Installation | 20-24 |
| 8. Programming the Receiver Operating Frequency | 25 |
| 9. Using Your Fan | 26 |

| Section | Page |
|------------------------------------------|-------|
| 10. Maintenance | 26 |
| 11. Accessories | 27 |
| 12. Energy Efficient Use of Ceiling Fans | 27 |
| 13. Repair Parts | 28-29 |
| 14. Troubleshooting | 30 |
| Ceiling Fan Limited Warranty | 31 |
| Spanish | 33 |
| French | 65 |

READ AND SAVE THESE INSTRUCTIONS

Safety Instructions

WARNING

TO REDUCE THE RISK OF FIRE, ELECTRICAL SHOCK, OR INJURY TO PERSONS, OBSERVE THE FOLLOWING:

- Use this unit only in a manner intended by the manufacturer. If you have questions, contact the manufacturer.
- Before servicing or cleaning unit, switch power off at service panel and lock service panel disconnecting means to prevent power from being switched on accidentally. When the service disconnecting means cannot be locked, securely fasten a warning device, such as a tag, to the service panel.

- Read your owner's manual carefully and keep it for future reference.
- Be careful of the fan and blades when cleaning, painting, or working near the fan. Always turn off the power to the ceiling fan before servicing.
- Do not put anything into the fan blades while they are turning.

Additional Safety Instructions for Installation

- To avoid possible shock, be sure electricity is turned off at the fuse box before wiring, and do not operate fan without blades.
- All wiring must be in accordance with the National Electrical Code "ANSI/NFPA 70-2017" and Local Electrical Codes. Use the National Electrical Code if Local Codes do not exist. The ceiling fan must be grounded as a precaution against possible electrical shock. Electrical installation should be made or approved by a licensed electrician.
- The outlet box and joist must be securely mounted and capable of reliably supporting at least 50 pounds. Use only U.L. outlet boxes listed as "Acceptable for Fan Support of 22.7kg. (50 lbs.) or less", and use the mounting screws provided with the outlet box. Most outlet boxes commonly used for support of light fixtures are not acceptable for fan support and may need to be replaced. Consult a qualified electrician if in doubt.

- The downrod furnished with the fan provides the minimum recommended floor to fan blade clearance for an 8 foot ceiling.
- The fan must be mounted with the fan blades at least 7 feet from the floor to prevent accidental contact with the fan blades.
- Follow the recommended instructions for the proper method of wiring your ceiling fan. If you do not know enough about electrical wiring, have your fan installed by a licensed electrician.

NOTE: This fan is suitable for use with solid-state speed controls.

NOTE: All set screws must be checked and re-tightened where necessary before installation.

WARNING

To reduce the risk of electrical shock, this fan must be installed with an isolating wall control/switch.

To reduce the risk of fire or electrical shock, this fan should only be used with fan speed control, Model No. RH-787NRE, manufactured by Rhine Electric Co., Ltd.

This product is designed to use only those parts supplied with this product and/or any accessories designated specifically for use this product by us.

Substitution of parts or accessories not designated for use with this product by us could result in personal injury or property damage.

To reduce the risk of personal injury, do not bend the blades during installation, balancing the blades or cleaning the fan. Do not insert foreign objects in between rotating fan blades.

1. Unpacking Instructions

⚠ WARNING

Do not install or use fan if any part is damaged or missing.

⚠ WARNING

This product is designed to use only those parts supplied with this product and/or any accessories designated specifically for use with this product by us. Substitution of parts or accessories not designated for use with this product by us could result in personal injury or property damage.

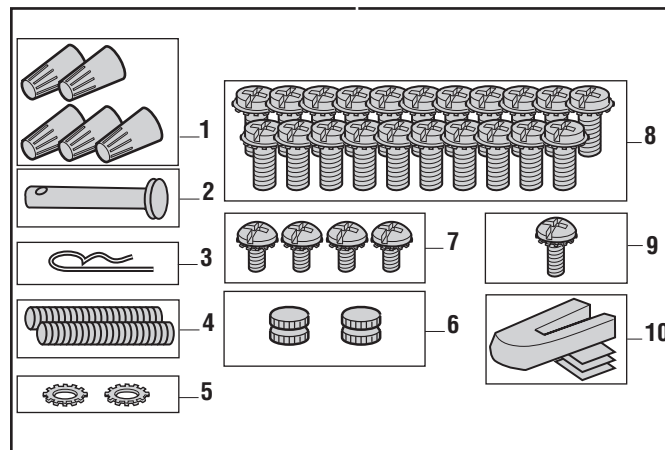
1.1

Open carton containing fan. Remove top half of styrofoam unit. Remove parts and check to see that you have received the following parts:

NOTE: If you are uncertain of part description, refer to exploded view illustration.

HARDWARE BAG CONTENTS

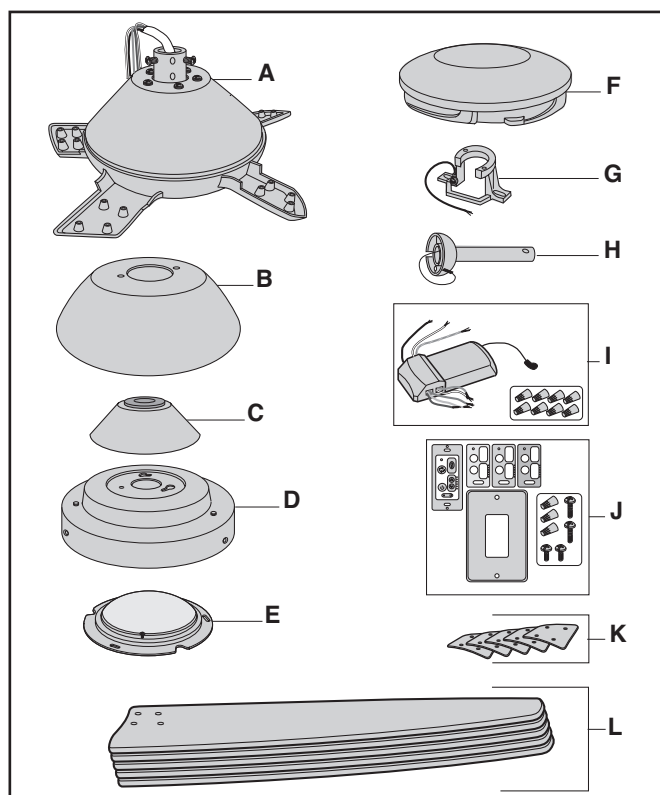
| Part | Description | Qty |
|------|-----------------------------------------------------------|-----|
| 1 | Wire Connectors | 5 |
| 2 | Clevis Pin | 1 |
| 3 | Hairpin Clip | 1 |
| 4 | Threaded Studs, #8-32 x 1-1/4" | 2 |
| 5 | Lockwashers, External Tooth, #8 | 2 |
| 6 | Knurled, #8-32 | 2 |
| 7 | #6-32 x 1/4" Phillips Pan Head Screws w/Lockwashers | 4 |
| 8 | #8-32 x 1/2" Serrated Head Screws | 21 |
| 9 | #6-32 x 3/8" Phillips Pan Head Screw w/Lockwasher (spare) | 1 |
| 10 | Blade Balance Kit | 1 |



NOTE: Place the parts from the hardware bags in a small container to keep them from being lost. If any parts are missing, call us for replacement parts before proceeding.

PACKAGE CONTENTS

| Part | Description | Quantity |
|------|---------------------------------|----------|
| A | Fan Motor Assembly | 1 |
| B | Ceiling Cover | 1 |
| C | Coupler Cover | 1 |
| D | Light Fixture Adapter | 1 |
| E | LED Light Fixture Assembly | 1 |
| F | Shade | 1 |
| G | Hanger Bracket | 1 |
| H | Hanger Ball / 6" Downrod | 1 |
| I | Receiver w/Hardware | 1 |
| J | 6-speed Wall Control w/Hardware | 1 |
| K | Blade Support Plates | 5 |
| L | Fan Blades | 5 |



1.2

Remove the Fan Motor Assembly from the protective plastic bag. Place the Fan Motor Assembly onto the upper foam pad with the Bottom of the Fan Motor Assembly facing up for Light Fixture Assembly.

The upper foam pad serves as a holder for the Fan during the first stages of assembly.

1. Unpacking Instructions (Continued)

This Manual Is Designed to Make it as Easy as Possible for You to Assemble, Install, Operate and Maintain Your Ceiling Fan

Tools Needed for Assembly

One Phillips Head Screwdriver One Stepladder
One 1/4" Blade Screwdriver One Wire Stripper

Materials

Wiring outlet box and box connectors must be of type required by the local code. The minimum wire would be a 3-conductor (2-wire with ground) of following size:

| <u>Installed Wire Length</u> | <u>Wire Size A.W.G.</u> |
|------------------------------|-------------------------|
| Up to 50 ft. | 14 |
| 50-100 ft. | 12 |

Your Ceiling Fan comes supplied with a DC Receiver and Wall Control. This system allows you to regulate your Ceiling Fan Speed and Light Control.

This Ceiling Fan may be used with the following Accessory (purchased separately): Remote Control.

WARNING

Before assembling your ceiling fan, refer to section on proper method of wiring your fan (page 14). If you feel you do not have enough wiring knowledge or experience, have your fan installed by a licensed electrician.

2. Electrical Requirements

Your new ceiling fan will require a grounded electrical supply line of 120 volts AC, 60 Hz, 15 amp circuit.

WARNING

To reduce the risk of fire, electric shock, or personal injury, mount fan to outlet box marked "Acceptable for Fan Support of 22.7kg. (50 lbs.) or less", and use screws supplied with outlet box. Most outlet boxes commonly used for support of light fixtures are not acceptable for fan support and may need to be replaced. Consult a qualified electrician if in doubt.

WARNING

Turning off wall switch is not sufficient. To avoid possible electrical shock, be sure electricity is turned off at the main fuse box before wiring. All wiring must be in accordance with National and Local codes and the ceiling fan must be properly grounded as a precaution against possible electrical shock.

The outlet box must be securely anchored and capable of withstanding a load of at least 50 pounds.

If your fan is to replace an existing ceiling light fixture, turn electricity off at the main fuse box at this time and remove the existing light fixture.

WARNING

To avoid fire or shock, follow all wiring instructions carefully. Any electrical work not described in these instructions should be done or approved by a licensed electrician.

Please call our Technical Support if you have any questions about installation and operation of this Ceiling Fan.

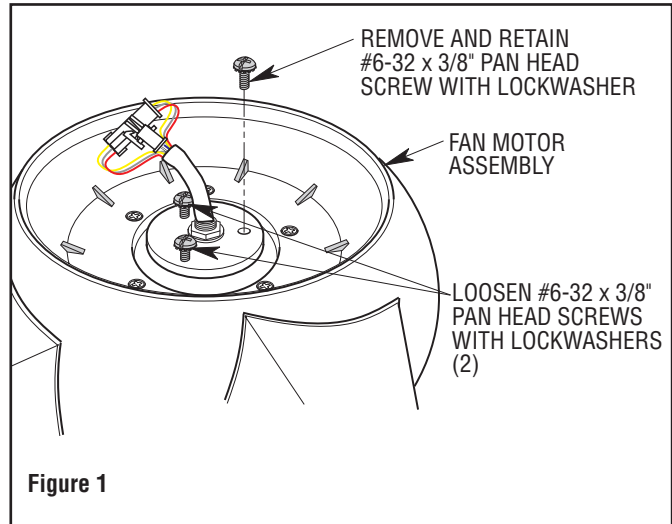
3. Ceiling Fan Assembly

3.1

Remove One of the Three #6-32 x 3/8" Pan Head Screw with Lockwasher from the Fan Motor Hub (Figure 1).

Retain the #6-32 x 3/8" Pan Head Screw with Lockwasher for future use.

Loosen the Two #6-32 x 3/8" Pan Head Screws with Lockwashers (Figure 1).



3.2

Place the 2-pin Fan Motor Assembly Connector and all Wiring Connectors through the large center hole of the Light Fixture Adapter (Figure 2).

Position the Light Fixture Adapter Key Hole Slots onto the Two loosened Screw Heads.

Rotate the Light Fixture Adapter Clockwise to engage the Two Screws.

NOTE: Verify that the serrated washers are not trapped between the Light Fixture Adapter and the Fan Motor Hub.

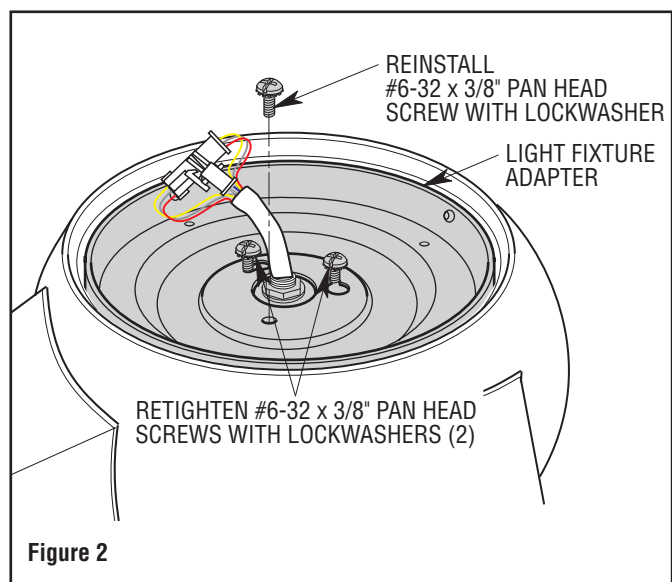
Reinstall the previously removed #6-32 x 3/8" Pan Head Screw with Lockwasher (Figure 2).

Retighten all Three #6-32 x 3/8" Pan Head Screws with Lockwashers to securely attach the Light Fixture Adapter to the Fan Motor Hub (Figure 2).

A spare #6-32 x 3/8" Pan Head Screw with Lockwasher is in the hardware bag, if needed.

Carefully turn the partially assembled Ceiling Fan right side up and position the Fan on the styrofoam in preparation for additional assembly.

NOTE: The LED Light Fixture Shade will be installed during the Final Assembly, after the Ceiling Fan is Hung and Wired.

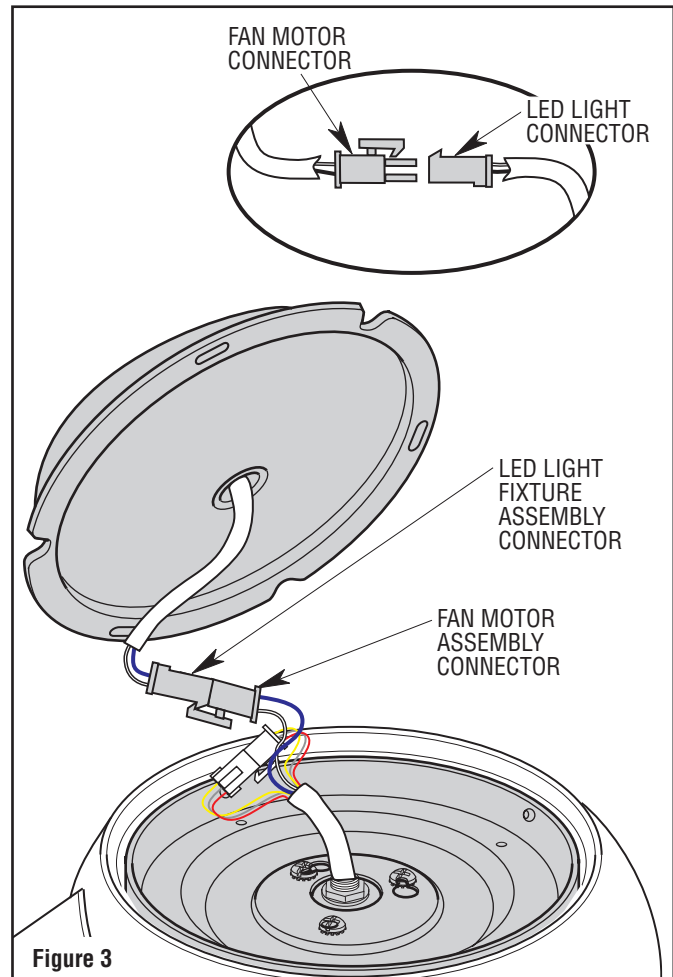


3. Ceiling Fan Assembly (Continued)

3.3

Engage the Fan Motor 2-Pin Wire Connector into the 2-pin Wire Connector of the LED Light Fixture Assembly (Figure 3).

The connection is complete when you hear a soft click.



3.4

Carefully tuck all the Wires and Connectors into the Light Fixture Adapter.

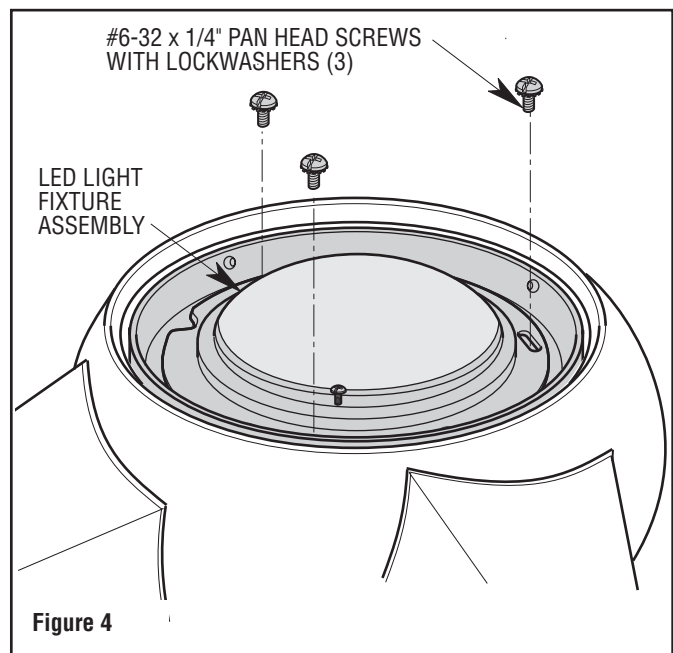
Position the LED Light Fixture Assembly onto the Light Fixture Adapter, aligning the Three Holes.

NOTE: Verify that the wires and connectors are not trapped between the LED Light Fixture Assembly and the Light Fixture Adapter.

Install and tighten Three #6-32 x 1/4" Pan Head Screws with Lockwashers (supplied in parts bag) to complete the installation of the LED Light Fixture Assembly (Figure 4).

⚠ WARNING

To avoid possible fire or shock, do not pinch wires between the light fixture adapter and the LED light fixture assembly.



3. Ceiling Fan Assembly (Continued)

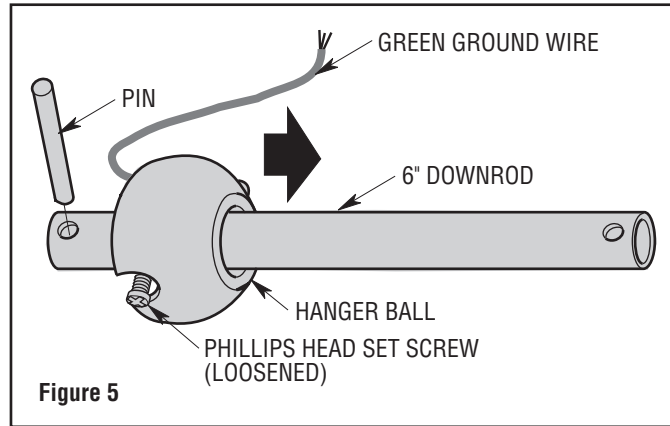
3.5

Remove the Hanger Ball by loosening the Phillips Head Set Screw in the Hanger Ball until the Ball falls freely down the 6" Downrod (Figure 5).

Remove the Pin from the 6" Downrod, then remove the Hanger Ball (Figure 5).

Retain the Pin and Hanger Ball for reinstallation in Step 3.12.

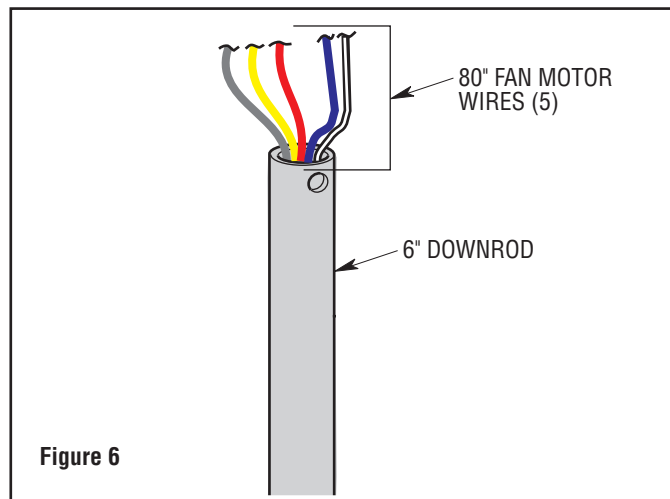
Note: Do not loosen the screw that attaches the green ground wire to the hanger ball.



3.6

Separate, untwist and unkink the Five 80" Motor Wires.

Route the Five 80" Motor Wires through the 6" Downrod (Figure 6).

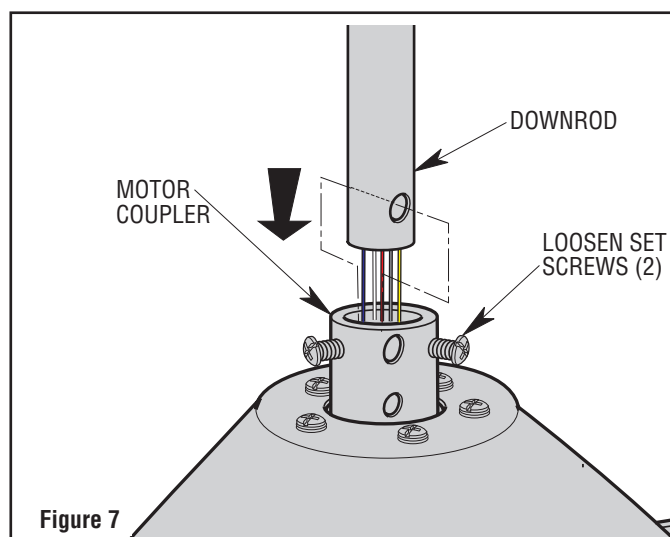


3.7

Loosen the Two Phillips Head Set Screws in the Motor Coupler for installation of the 6" Downrod (Figure 7).

Seat the 6" Downrod in the Motor Coupler (Figure 7).

Rotate and align the Downrod Holes with the Two Motor Coupler Holes.



3. Ceiling Fan Assembly (Continued)

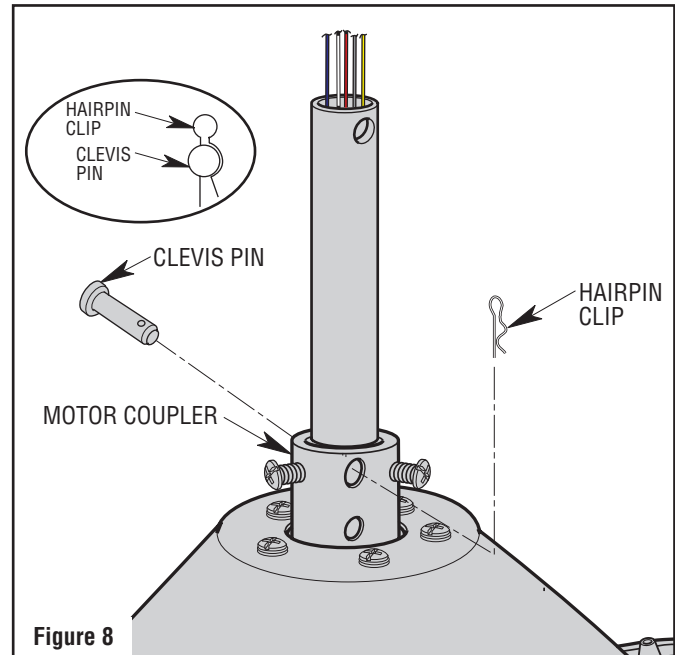
3.8

Slide the Clevis Pin through the Motor Coupler Holes. Install the Hairpin Clip through the Clevis Pin Holes to secure (Figure 8).

NOTE: The Clevis Pin must go through the holes in the Motor Coupler. It is critical that the Clevis Pin is properly installed and secure.

⚠ WARNING

It is critical that the clevis pin is properly installed and secured with the hairpin clip. Failure to verify that the clevis pin is properly installed could result in the fan falling.

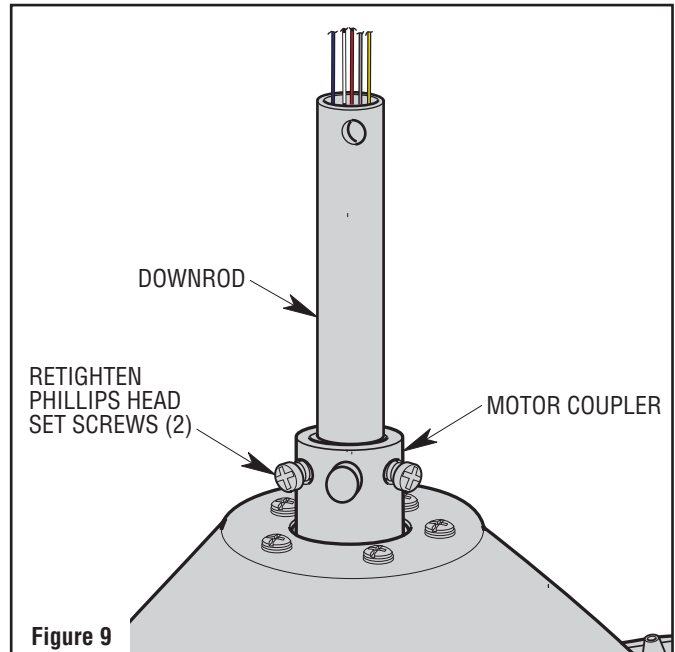


3.9

Retighten the Two Phillips Head Set Screws evenly to secure the Downrod to the Motor Coupler in a vertical position (Figure 9).

⚠ WARNING

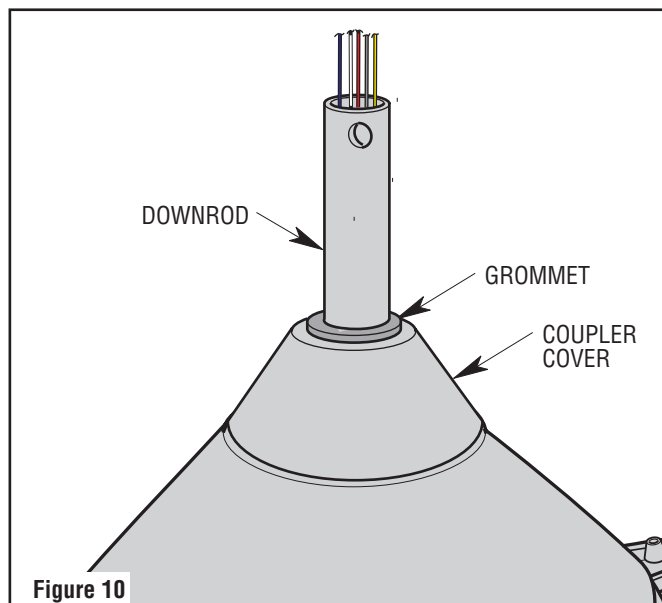
It is critical that the set screws in the motor coupler are securely tightened. Failure to verify that the set screws are properly installed could result in the fan falling.



3. Ceiling Fan Assembly (Continued)

3.10

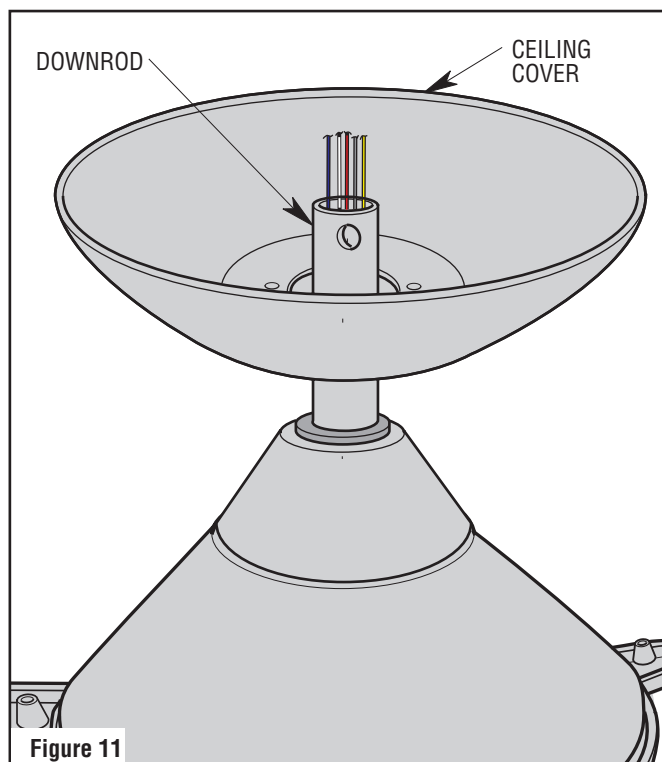
Make sure the Grommet is properly installed in the Motor Coupler Cover, then slide the Motor Coupler Cover on the 6" Downrod until it rests on the Motor Housing (Figure 10).



3.11

Place the Ceiling Cover over the Downrod (Figure 11).

Be sure that the Ceiling Cover and the Motor Coupler Cover are both oriented correctly (Figure 11).



3. Ceiling Fan Assembly (Continued)

3.12

Reinstall the Hanger Ball on the Downrod as follows:

Route the Five 80-inch Motor Leads through the Hanger Ball and slide the Hanger Ball over the Downrod (Figure 12).

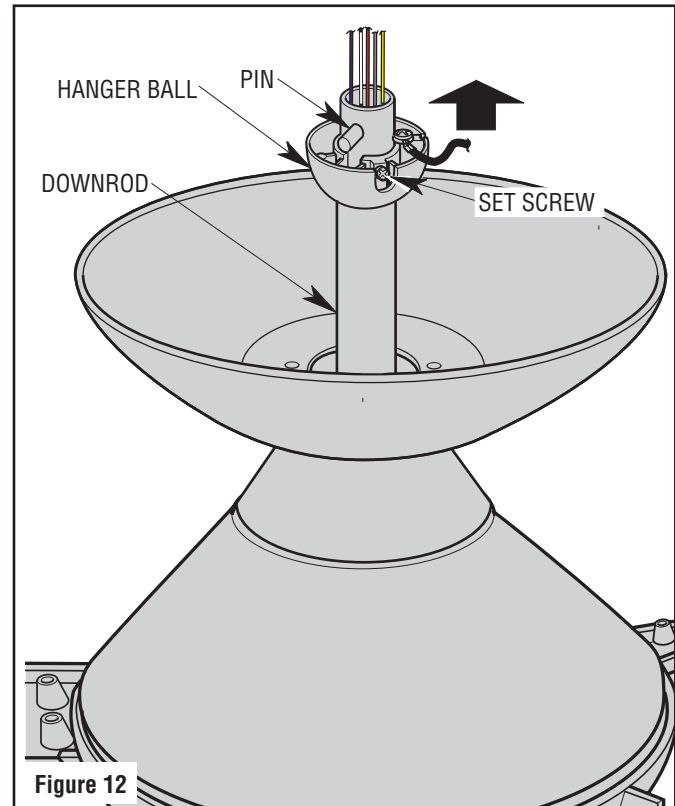
Position the Pin through the two holes in the Downrod and align the Hanger Ball so the Pin is captured in the Groove in the top of the Hanger Ball (Figure 12).

Pull the Hanger Ball up tight against the Pin and securely tighten the Set Screw in the Hanger Ball.

NOTE: A loose set screw could create fan wobble.

WARNING

It is critical that the pin in the hanger ball is properly installed and the set screw securely tightened. Failure to verify that the pin and set screw are properly installed could result in the fan falling.

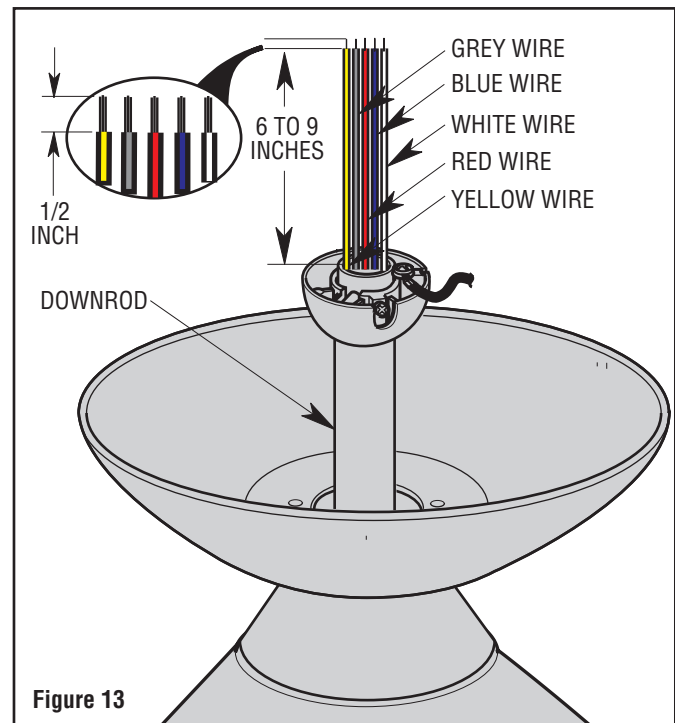


3.13

The Fan comes with Blue, White, Grey, Red, and Yellow Wires that are 80-inches long.

Before installing the Fan, measure up approximately 6 to 9-inches above top of Hanger Ball / Downrod Assembly (Figure 13).

Cut off excess Wires and strip back insulation 1/2-inch from end of Wires.



3. Ceiling Fan Assembly (Continued)

3.14

Position the Fan Blade and Blade Support Plate, curving downward onto the Fan Motor Assembly Flange Support, as shown in Figure 14.

Mount the Fan Blade and Blade Support Plate onto the Fan Motor Assembly Flange Support using Four

#8-32 x 1/2" Serrated Head Screws (supplied in ceiling fan parts bag) (Figure 14).

Repeat for remaining Four Fan Blades and Blade Support Plates.

To Secure the Five Fan Blades and Blade Support Plate to the Fan Motor Assembly Flange Supports, Securely tighten all #8-32 x 1/2" Serrated Head Screws.

NOTE: Take care not to scratch the Fan Housing or blades when installing the Fan Blades and Blade Support Plates.

WARNING

To reduce the risk of personal injury, do not bend the fan motor assembly flange supports when installing the blades and blade support plates, balancing the blades or cleaning the fan. Do not insert foreign objects in between rotating fan blades.

A spare #8-32 x 1/2" Serrated Head Screw is supplied in parts bag, if needed.

You have now partially completed the assembly of your new Ceiling Fan, proceed to "How to Hang Your Ceiling Fan".

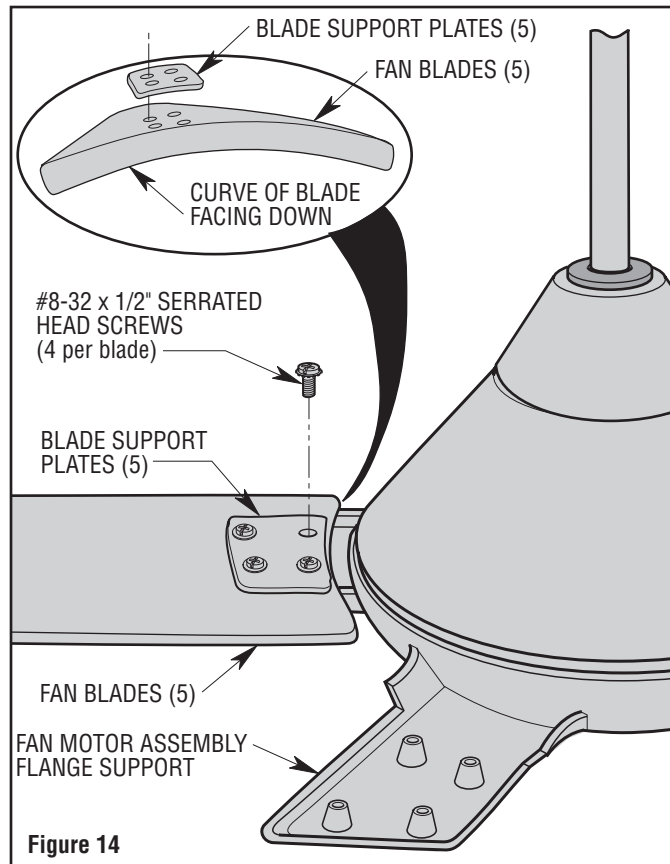


Figure 14

4. How to Hang Your Ceiling Fan

⚠ WARNING

The fan must be hung with at least 7' of clearance from floor to blades (Figure 15).

⚠ WARNING

Turning off wall switch is not sufficient. To avoid possible electrical shock, be sure electricity is turned off at the main fuse box before wiring. All wiring must be in accordance with National and Local codes and the ceiling fan must be properly grounded as a precaution against possible electrical shock.

⚠ WARNING

To avoid possible electrical shock, be sure electricity is turned off at the main fuse box before wiring.

NOTE: If you are not sure if the outlet box is grounded, contact a licensed electrician for advice, as it must be grounded for safe operation.

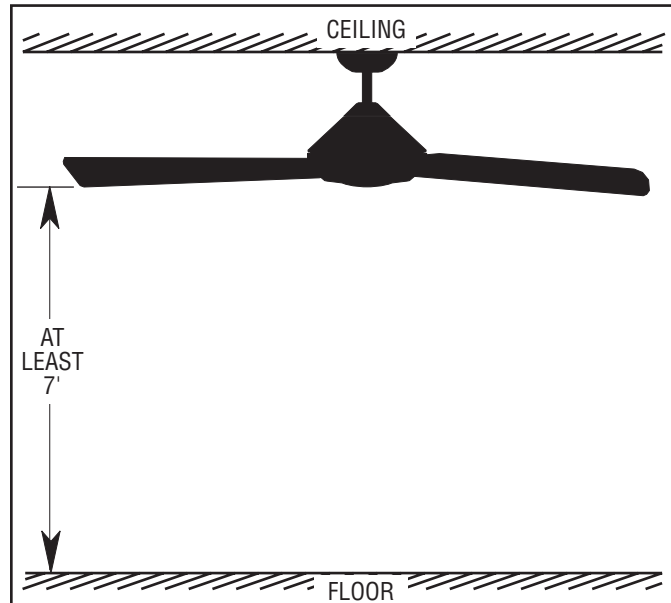


Figure 15

⚠ WARNING

The outlet box and joist must be securely mounted and capable of supporting at least 50 lbs. Use only a U.L. outlet box listed as "Acceptable for Fan Support of 22.7 kg. (50 lbs.) or less".

⚠ WARNING

To reduce the risk of fire, electric shock, or personal injury, mount fan to outlet box marked "Acceptable for Fan Support of 22.7 kg. (50 lbs.) or less", and use screws supplied with outlet box. Most outlet boxes commonly used for support of light fixtures are not acceptable for fan support and may need to be replaced. Consult a qualified electrician if in doubt.

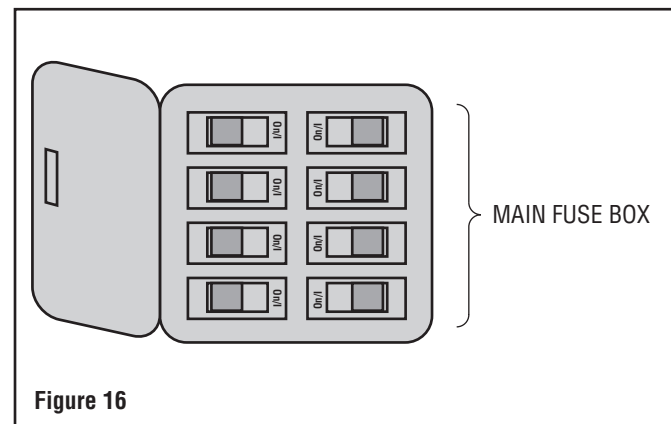


Figure 16

⚠ WARNING

To avoid fire or shock, follow all wiring instructions carefully.

Any electrical work not described in these instructions should be done or approved by a licensed electrician.

4.1

Disconnect Electrical Power to the Branch Circuit at the Circuit Breaker or Fuse Box before attempting to install the Ceiling Fan Hanger Bracket on the Outlet Box (Figure 16).

4. How to Hang Your Ceiling Fan (Continued)

⚠ WARNING

The outlet box and joist must be securely mounted and capable of supporting at least 50 lbs. Use only a U.L. outlet box listed as “Acceptable for Fan Support of 22.7 kg. (50 lbs.) or less”.

⚠ WARNING

To reduce the risk of fire, electric shock, or personal injury, mount fan to outlet box marked “Acceptable for Fan Support of 22.7 kg. (50 lbs.) or less”, and use screws supplied with outlet box. Most outlet boxes commonly used for support of light fixtures are not acceptable for fan support and may need to be replaced. Consult a qualified electrician if in doubt.

4.2

Securely attach the Hanger Bracket to the Outlet Box using the Two Screws supplied with the Outlet Box (Figure 17).

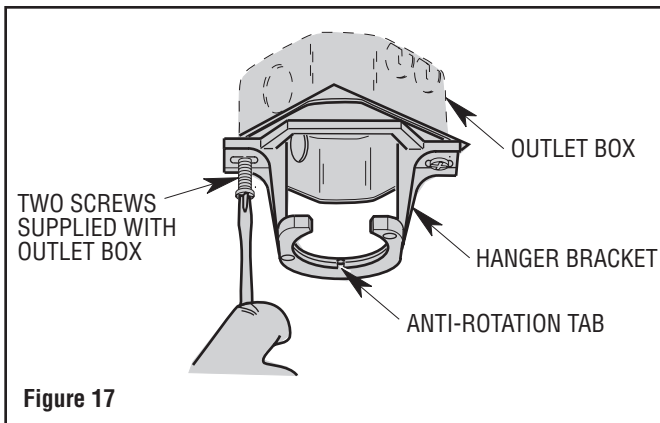


Figure 17

⚠ WARNING

Hanger bracket must seat firmly against outlet box. If the outlet box is recessed, remove wall board until bracket contacts box. If bracket and/or outlet box are not securely attached, the fan could wobble or fall.

4.3

Carefully lift the partially assembled ceiling fan and seat the Hanger Ball / Downrod Assembly into the Hanger Bracket that was just attached to the Outlet Box (Figure 18).

Be sure the Groove in the Ball is engaged with the Anti-rotation Tab on the Hanger Bracket (Figure 18).

NOTE: Be very careful not to bend the blade assemblies while hanging the partially assembled ceiling fan.

⚠ WARNING

Failure to seat the anti-rotation tab into the hanger ball groove could cause damage to electrical wires and possible shock or fire hazard.

⚠ WARNING

To avoid possible fire or shock, do not pinch wires between the hanger ball/downrod assembly and hanger bracket.

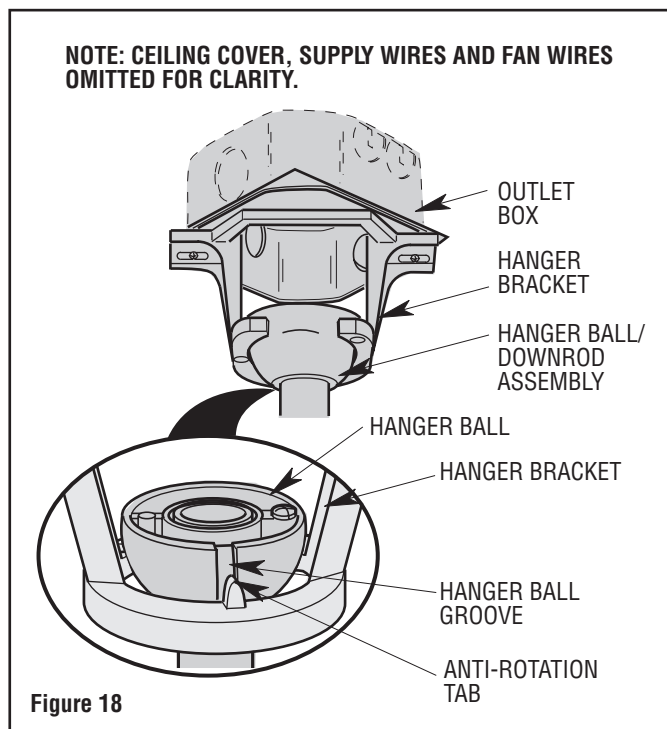


Figure 18

5. How to Wire Your Ceiling Fan

If you feel that you do not have enough electrical wiring knowledge or experience, have your fan installed by a licensed electrician.

⚠ WARNING

To avoid possible electrical shock, be sure electricity is turned off at the main fuse box before wiring.

NOTE: If you are not sure if the outlet box is grounded, contact a licensed electrician for advice, as it must be grounded for safe operation.

5.1

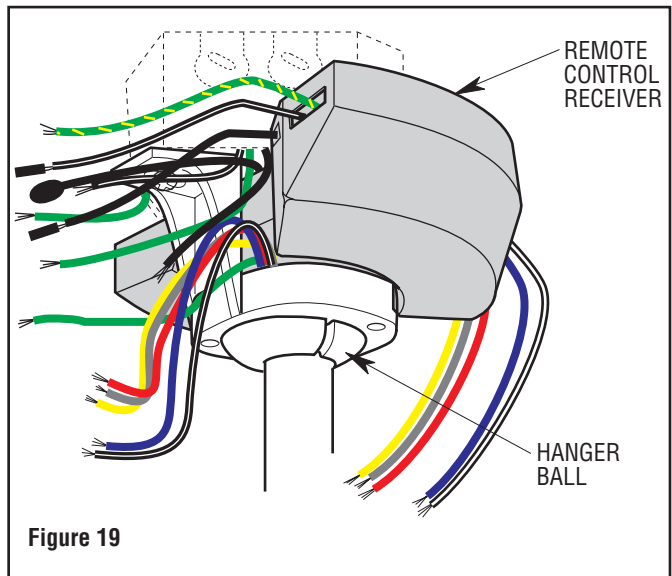
Position the Supply Wires to the left side of the Outlet Box (Figure 19); position the Fan Wires to the right side.

Partially insert the Remote Control Receiver (flat side up) until one end rests on the Hanger Ball, as shown in Figure 19.

CAUTION: To reduce the risk of electrical shock, disconnect the electrical supply circuit before installing the fan or receiver.

⚠ WARNING

Turning off wall switch is not sufficient. To avoid possible electrical shock, be sure electricity is turned off at the main fuse box before wiring. All wiring must be in accordance with National and Local codes and the ceiling fan must be properly grounded as a precaution against possible electrical shock.



⚠ WARNING

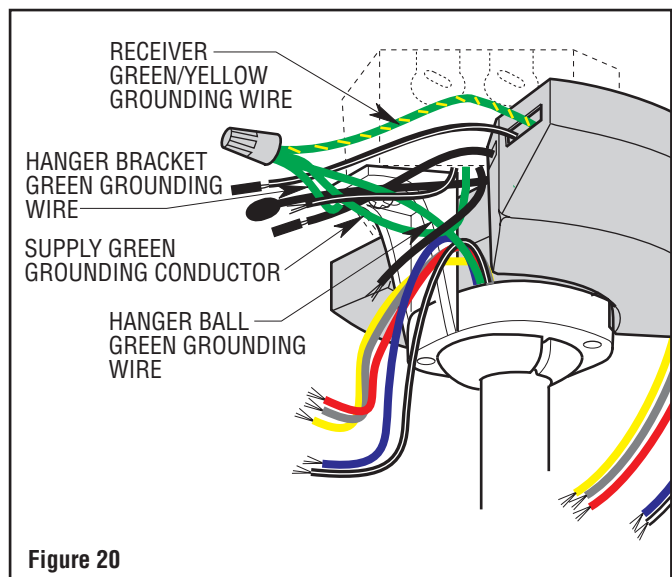
This product is designed to use only those parts supplied with this product and/or any accessories designated specifically for use with this product by us. Substitution of parts or accessories not designated for use with this product by us could result in personal injury or property damage.

5.2

Connect the Hanger Ball Green Grounding Wire, the Hanger Bracket Green Grounding Wire, and the Remote Control Receiver Green/Yellow Grounding Wire to the Supply Green Grounding Conductor (this may be a bare wire or wire with green colored insulation).

Securely connect Wires with a 12 ga. Wire Connector (supplied in parts bag) (Figure 20).

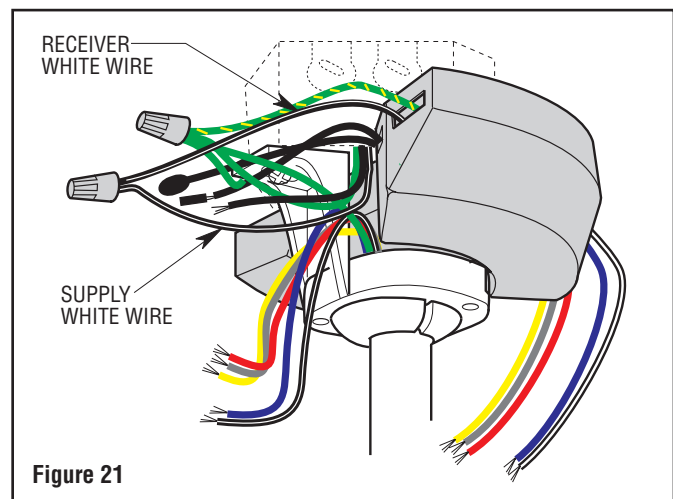
NOTE: Make all Wiring Connections using Wire Connectors (supplied). Make sure that all Connections are tight, including Ground, and that no bare wire is visible at the Wire Connectors, except for the Ground Wire.



5. How to Wire Your Ceiling Fan (Continued)

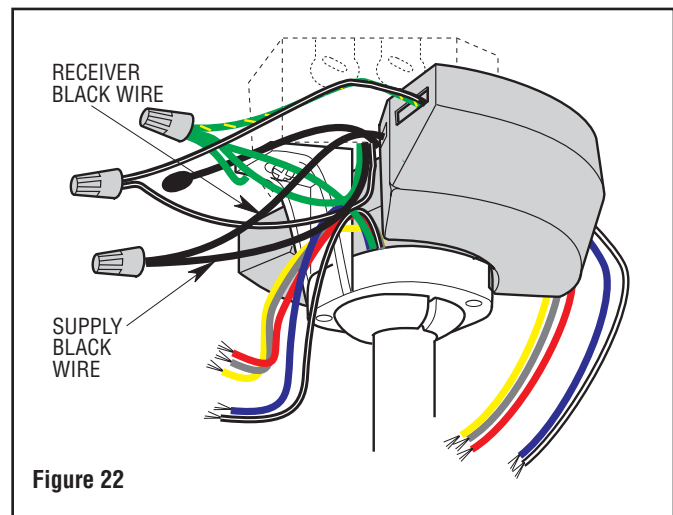
5.3

Securely connect the Supply White (neutral) Wire to the Receiver White (AC IN N) Wire using a 12 ga. Wire Connector (supplied in parts bag) (Figure 21).



5.4

Securely connect the Supply Black (hot) Wire to the Receiver Black (AC IN L) Wire using a 12 ga. Wire Connector (supplied in parts bag) (Figure 22).



5. How to Wire Your Ceiling Fan (Continued)

5.5

Securely connect the Fan White (neutral) Wire to the Receiver White (FOR LIGHT) Wire using a 18 ga. Wire Connector (supplied with receiver) (Figure 23).

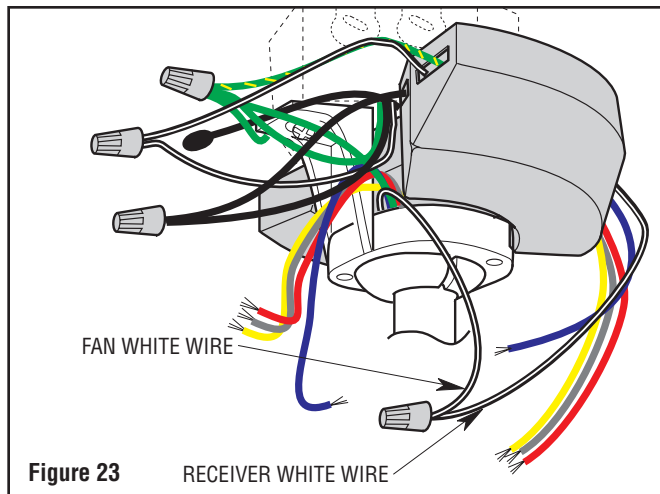


Figure 23

5.6

Securely connect the Fan Blue Wire to the Receiver Blue (FOR LIGHT) Wire using a 18 ga. Wire Connector (supplied with receiver) (Figure 24).

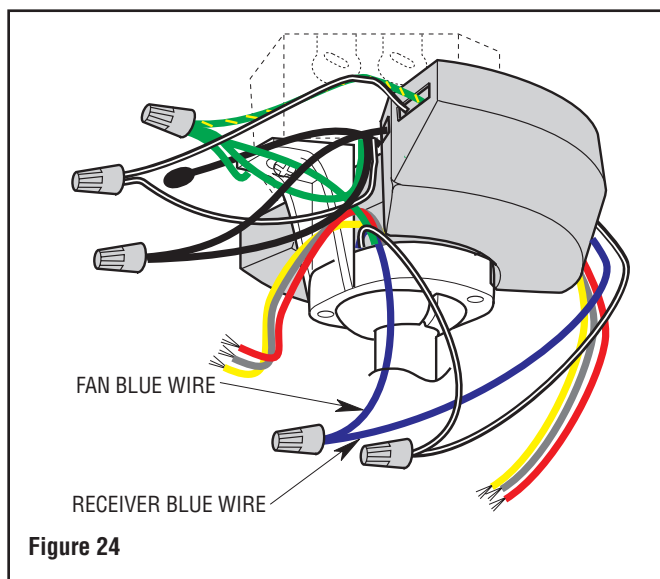
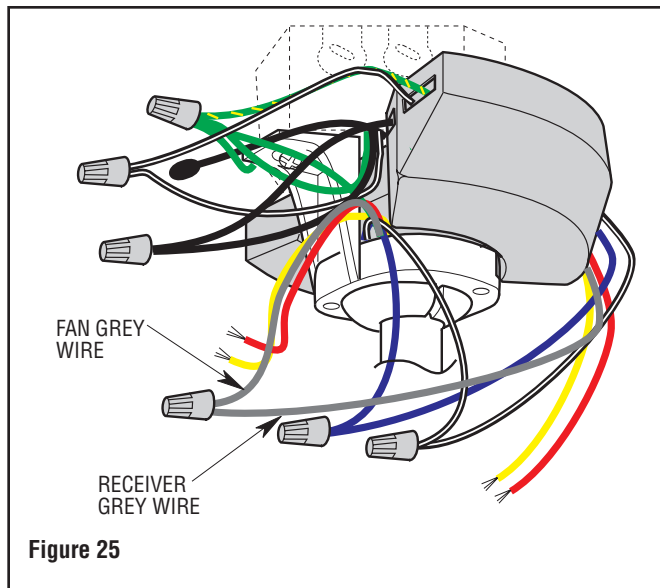


Figure 24

5. How to Wire Your Ceiling Fan (Continued)

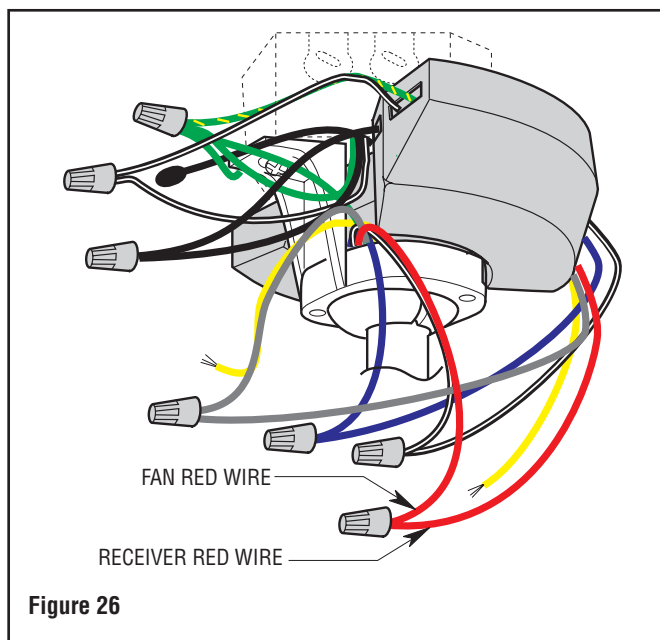
5.7

Securely connect the Fan Grey Wire to the Receiver Grey (TO MOTOR) Wire using a 18 ga. Wire Connector (supplied with receiver) (Figure 25).



5.8

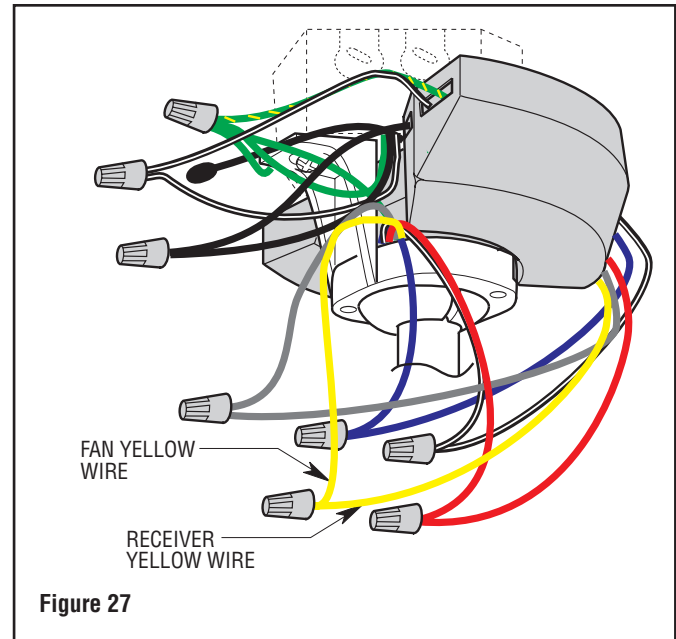
Securely connect the Fan Red Wire to the Receiver Red (TO MOTOR) Wire using a 18 ga. Wire Connector (supplied with receiver) (Figure 26).



5. How to Wire Your Ceiling Fan (Continued)

5.9

Securely connect the Fan Yellow Wire to the Receiver Yellow (TO MOTOR) Wire using a 18 ga. Wire Connector (supplied with receiver) (Figure 27).



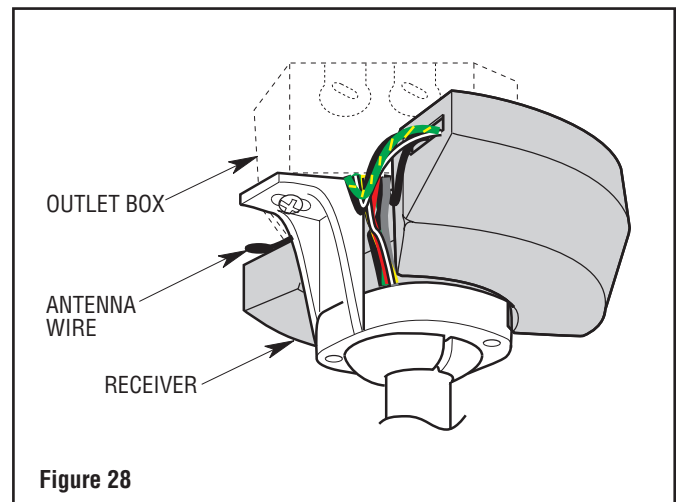
5.10

After Connections have been made, turn Wires and Connectors upward and carefully push them into the Outlet Box (Figure 28).

Position the Antenna Wire on top of the Receiver. Slide the Receiver completely onto the Hanger Ball, nestled in the Hanger Bracket (Figure 28).

⚠ WARNING

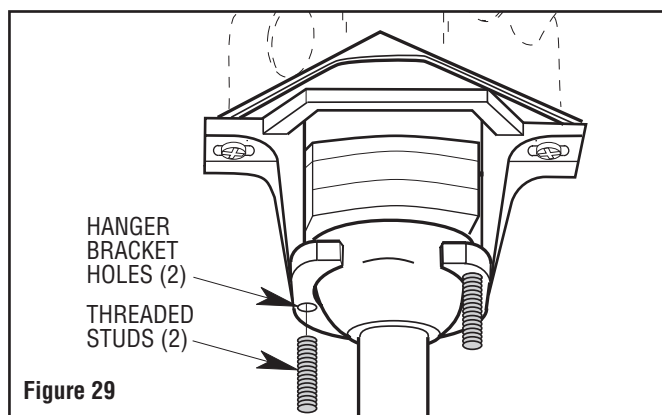
Check to see that all connections are tight, including ground, and that no bare wire is visible at the wire connectors, except for the ground wire. Do not operate fan until blades are in place. Noise and fan damage could result.



6. Final Assembly

6.1

Screw the Two Threaded Studs (supplied) into the Tapped Holes in the Hanger Bracket (Figure 29).



6.2

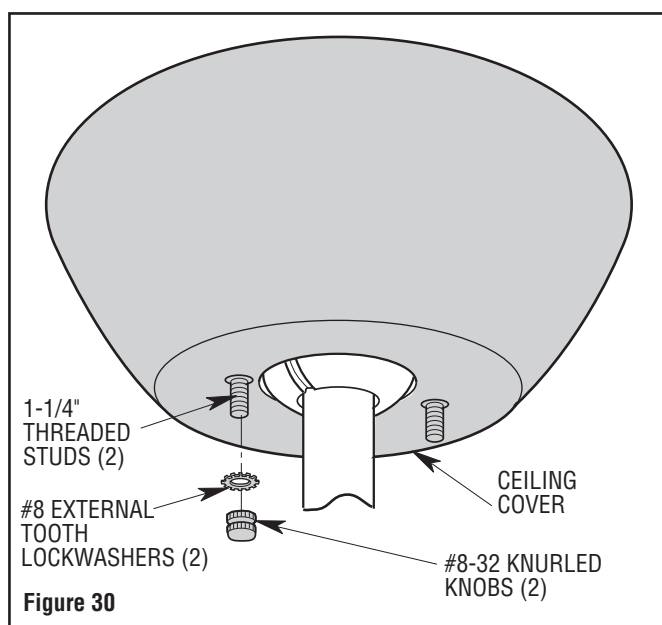
Lift the Ceiling Cover up to the Threaded Studs and turn until studs protrude through the holes in the Ceiling Cover (Figure 30).

Secure the Ceiling Cover in place by sliding Lockwashers (supplied) over the Threaded Studs and installing the two Knurled Knobs (supplied). (Figure 30).

Tighten the Knurled Knobs securely until the Ceiling Cover fits snugly against the ceiling and the hole in the Ceiling Cover is clear of the downrod.

⚠ WARNING

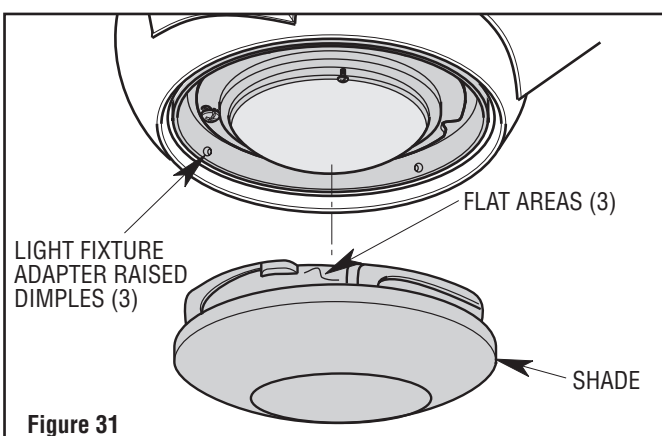
To avoid possible fire or shock, make sure that the electrical wires are completely inside the outlet box and not pinched between the ceiling cover and the ceiling.



6.3

Place the Shade into the opening of the Light Fixture Adapter, aligning the Three Flat Areas on the top edge of the Shade with the Three Raised Dimples on the Light Fixture Adapter and turn the Shade Clockwise until it stops (Figure 31).

NOTE: Periodically check that the Shade is seated fully clockwise in the Light Fixture Adapter.



You have now completed the assembly of your new Ceiling Fan.

Please call our Technical Support if you have any questions about installation and operation of this Ceiling Fan.

7. Wall Control Installation

7.1

Your Ceiling Fan/Light Control consists of wall mounted transmitter and a receiver located inside the motor assembly. The control is designed to remotely operate your ceiling fan speed, light intensity and direction of rotation.

Code switches in the transmitter may be set in 32 different positions. If your fan and light turn on and off without using your control, you may be getting interference from other remote units such as garage door openers, car alarms or security systems. To remedy this situations, simply change the code switches in your transmitter per the instructions of Section 7.3.

7.2

Preset Memory Feature: Your receiver is equipped with a preset memory feature. If the AC supply to the receiver is powered OFF through a wall switch, the control will remember the light intensity and fan speed. When the switch is turned back ON the light and fan will resume operation as they were prior to the switch being turned OFF.

7.3

Your Wall Control has Code Switches which must be set in one of 32 possible code combinations (Figure 32). The Five Levers (numbered 1, 2, 3, 4, and 5) on the Switches are factory-set in the ON (up) position. Change the Switch settings as follows:

Slide the Five Switch Levers in the Wall Control to your choice of ON (up) or down positions. Use a ball-point pen or small screwdriver and slide the Levers firmly up or down.

The Sixth Switch marked ON and I is for Dimming Control of Lights: Set Switch to ON to allow for Dimming of the Lights.

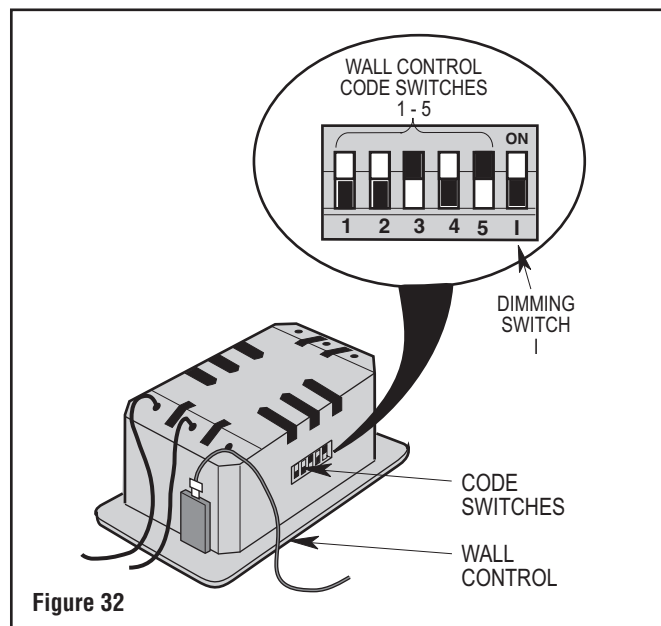


Figure 32

⚠ WARNING

Turning off wall switch is not sufficient. To avoid possible electrical shock, be sure electricity is turned off at the main fuse or circuit breaker box before wiring. All wiring must be in accordance with National and Local codes and the ceiling fan must be properly grounded as a precaution against possible electrical shock.

CAUTION:

To reduce the risk of electrical shock, disconnect the electrical supply circuit before installing the fan, light kit or receiver.

NOTE: Make all wiring connections using Wire Connectors (supplied). Make sure that all connections are tight, including ground, and that no bare wire is visible at the wire connectors, except for the ground wire.

7.4

Disconnect Electrical Power to the Branch Circuit at the Circuit Breaker or Fuse Box before attempting to install the Ceiling Fan Wall Control into the Outlet Box.

7. Wall Control Installation (Continued)

7.5

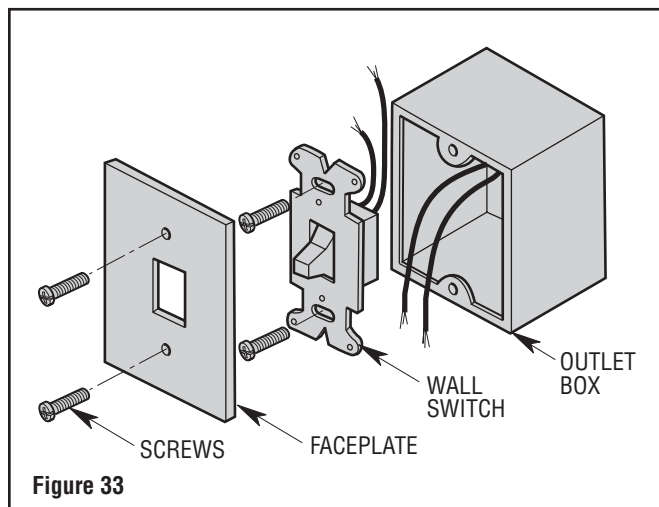
This Control is designed to operate only one Ceiling Fan.

NOTE: Electric connections should be in accordance with the National Electrical Codes and all Local Codes. Before starting, disconnect power to the circuit at the fuse box or circuit breaker panel.

Remove the Faceplate and Screws from the Existing Wall Switch. Pull Switch out from Wall Outlet Box.

Determine the “Hot” Wire and the “Load” Wire and disconnect these Wires from existing Control (Figure 33).

Do not attempt to disconnect any Wires not already connected to existing Control.



Skip to Section 7.7 if using a 3-way switch installation.

SINGLE-POLE INSTALLATION

7.6

Disconnect Electrical Power to the Branch Circuit at the Circuit Breaker or Fuse Box before attempting to install the Ceiling Fan Wall Control into the Outlet Box.

Before installing Wall Control, place Wall Control in “OFF” mode by pushing “ON/OFF” Switch to the “OFF” position.

⚠ WARNING

Do not connect any neutral (white) wire to this control. Incorrect wiring will damage this control.

Connect the Wall Control Black Wire with the Yellow Label marked “To Power Supply” to the “Hot” Wire in the Wall Box. Securely connect Wires with Wire Connector (supplied) (Figure 34).

Connect the Wall Control Black Wire with Blue Label marked “To Fan” to the “Load” (Black) Wire in the Wall Box. Securely connect Wires with Wire Connector (supplied) (Figure 34).

Connect the Wall Control Green Ground Wire to the Bare Copper Wire or Green Ground Wire in the Wall Box. Securely connect Wires with Wire Connector (supplied) (Figure 34).

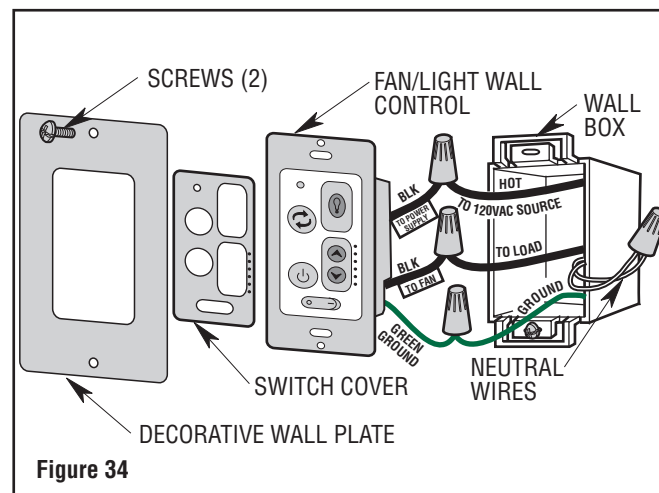
⚠ WARNING

Check to see that all connections are tight and that no bare wires are visible at the wire connectors.

Screw Wall Control into Wall Box using the supplied screws. Leave Wall Control in “OFF” mode until fan installation is completed.

The Wall Control is supplied with a White, Ivory, and Almond color Switch Covers. Choose the finish that best suits your needs and snap the Cover onto the Wall Control (Figure 34).

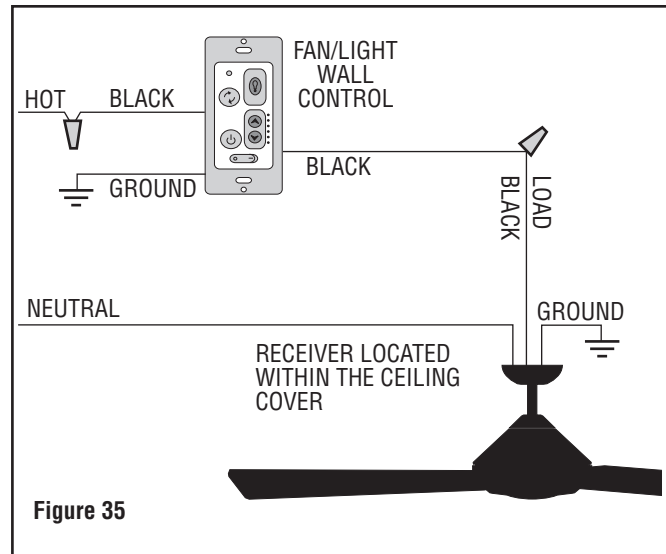
Install Decorator Wall Plate using the two screws provided with Wall Plate. Leave Wall Control in “OFF” mode until fan installation is completed (Figure 34).



7. Wall Control Installation (Continued)

SINGLE-POLE INSTALLATION

(One fan controlled by one wall control)
(See Figure 35).



⚠ WARNING

Turning off wall switch is not sufficient. To avoid possible electrical shock, be sure electricity is turned off at the main fuse or circuit breaker box before wiring. All wiring must be in accordance with National and Local codes and the ceiling fan must be properly grounded as a precaution against possible electrical shock.

⚠ WARNING

Do not connect any neutral (white) wire to this control. Incorrect wiring will damage this control.

⚠ WARNING

Check to see that all connections are tight and that no bare wires are visible at the wire connectors.

7. Wall Control Installation (Continued)

3-WAY INSTALLATION

(One fan controlled by two different wall controls)
(See Figures 36 and 37).

⚠ WARNING

Turning off wall switch is not sufficient. To avoid possible electrical shock, be sure electricity is turned off at the main fuse or circuit breaker box before wiring. All wiring must be in accordance with National and Local codes and the ceiling fan must be properly grounded as a precaution against possible electrical shock.

7.7

Disconnect Electrical Power to the Branch Circuit at the Circuit Breaker or fuse box before attempting to install the Ceiling Fan Wall Control into the Outlet Box.

At all Wall Box locations remove Faceplates and Screws from existing Controls. Pull Controls out from Wall Boxes and determine which Wall Box contains the "Hot" Wire and which Wall Box contains the "Load" Wire. Also, identify Traveler Wires which are common to both Wall Boxes. Disconnect Wires from existing Controls only.

Do not attempt to disconnect any Wires not already connected to existing Controls.

Before installing the Wall Control, place the Wall Control in "OFF" mode by pushing "ON/OFF" switch to the "OFF" position.

⚠ WARNING

Do not connect any neutral (white) wire to this control. Incorrect wiring will damage this control.

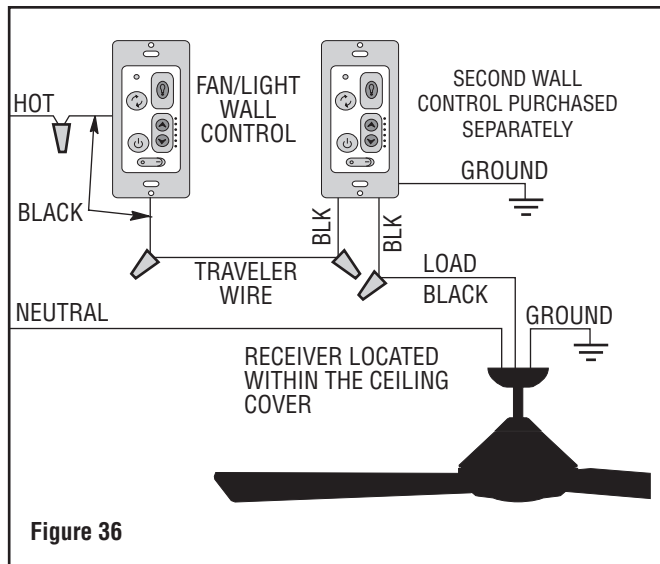


Figure 36

Install the first Wall Control in the Wall Box containing the "Hot" Wire. Connect the Wall Control Black Wire with the Yellow Label marked "To Power Supply" to the "Hot" Wire in the Wall Box. Securely connect the Wires with the Wire Connector (supplied) (Figure 36).

Connect the Wall Control Black Wire with the Blue Label marked "To Fan" to the Traveler Wire in the Wall Box. Securely connect the Wires with the Wire Connector (supplied) (Figure 36).

Connect the Green Ground Wire to the Bare Copper Wire or Green Ground Wire in the Wall Box. Securely connect Wires with Wire Connector (supplied) (Figure 36).

⚠ WARNING

Check to see that all connections are tight and that no bare wires are visible at the wire connectors.

7. Wall Control Installation (Continued)

⚠ WARNING

Check to see that all connections are tight and that no bare wires are visible at the wire connectors.

7.8

Disconnect Electrical Power to the Branch Circuit at the Circuit Breaker or Fuse Box before attempting to install the Ceiling Fan Wall Control into the Outlet Box.

Screw Wall Control into Wall Box using the supplied screws. Leave Wall Control in “OFF” mode until fan installation is completed.

Install the second Wall Control (sold separately) into the Wall Box containing the “Load” Wire. Connect the Wall Control Black Wire with the Yellow Label marked “To Power Supply” to the Traveler Wire from the first Wall Box. Securely connect Wires with Wire Connector (supplied) (Figure 37).

Connect the Wall Control Black Wire with the Blue Label marked “To Fan” to the “Load” Black Wire in the Wall Box. Securely connect Wires with Wire Connector (supplied) (Figure 37).

Connect the Wall Control Green Ground Wire to the Bare Copper Wire or Green Ground Wire in the Wall Box. Securely connect Wires with Wire Connector (supplied) (Figure 37).

The Wall Control is supplied with a White, Ivory, and Almond color Switch Covers. Choose the finish that best suits your needs and snap the Cover onto the Wall Control.

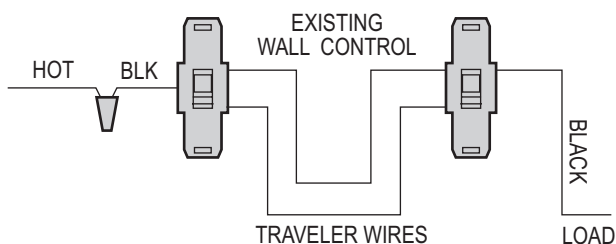
⚠ WARNING

Do not connect any neutral (white) wire to this control. Incorrect wiring will damage this control.

3-WAY WIRING DIAGRAM:

NOTE: Retrofit 3-way installations are likely to include two traveler wires between the two wall boxes. In new construction, only one traveler wire is required (See Figure 37).

STANDARD WIRING FOR EXISTING 3-WAY CONTROLS



3-WAY WIRING DIAGRAM: RETROFIT

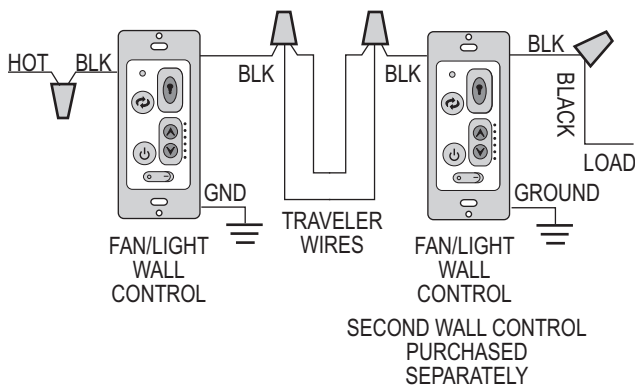



Figure 37

8. Programming the Receiver Operating Frequency & High Speed Conditioning of Fan Control

IMPORTANT: Ceiling fan blades **MUST** be installed before high speed conditioning can begin.

8.1

Within 1 minute of restoring electricity to the Ceiling Fan, push and hold the Fan OFF Button () for 3 to 5 Seconds to set the Code in the Receiver.

The Ceiling Fan Lights (if installed) will blink to indicate the Transmitted has been paired with the Receiver.

IMPORTANT: Immediately after successful pairing, the ceiling fan will automatically begin high speed conditioning of the motor. During conditioning, the electronic motor control software is calculating speeds for the 2nd through 5th speed settings based on the blades that were installed on the fan.

The Fan will run for approximately 1 Minute in the upward direction then Reverse direction to down flow and run an additional 1 Minute. When conditioning is complete, the Fan will come to complete stop.

IMPORTANT: Do not interrupt the conditioning until the fan comes to a complete stop in approximately 5 minutes. All functions of the control will be rejected during conditioning.

High speed conditioning is now complete.

8.2

If programming is unsuccessful, retry Step 8.1 instructions after cycling the Wall Control ON/OFF Switch to restart the 1 Minute programming time period.

If still unsuccessful, shut off the Electricity at the Fuse Box or Breaker Panel and change the Wall Control Frequency (page 20). After changing the Frequency Settings, repeat Step 8.1 instructions of this Section within One Minute of restoring the Electricity.

INSTRUCTION TO THE USER (if device contains a digital device)

This equipment has been tested and found to comply with the limits for a class B digital device, pursuant to part 15 of the FCC Rules. These limits are designed to provide reasonable protection against harmful interference in a residential installation. This equipment generates, uses and can radiate radio frequency energy and if not installed and used in accordance with the instructions, may cause harmful interference to radio communications. However, there is no guarantee that interference will not occur in a particular installation. If this equipment does cause harmful interference to radio or television reception, which can be determined by turning the equipment off and on, the user is encouraged to try to correct the interference by one or more of the following measures:

- Reorient or relocate the receiving antenna.
- Increase the separation between the equipment and receiver.
- Connect the equipment into an outlet on a circuit different from that to which the receiver is connected.
- Consult the dealer or an experienced radio/TV technician for help.

This equipment has been certified to comply with the limits for a class B computing device, pursuant to FCC Rules. In order to maintain compliance with FCC regulations, shielded cables must be used with this equipment. Operation with non-approved equipment or unshielded cables is likely to result in interference to radio and TV reception. The user is cautioned that changes and modifications made to the equipment without the approval of manufacturer could void the user's authority to operate this equipment.

This Class B digital apparatus meets all requirements of the Canadian Interference-Causing Equipment Regulations.

9. Using Your Ceiling Fan

WARNING

Fan installation must be completed, including the installation of the fan blades, before testing the wall control.

Your Wall Control has full control of your Fan and Light (Figure 38).

9.1

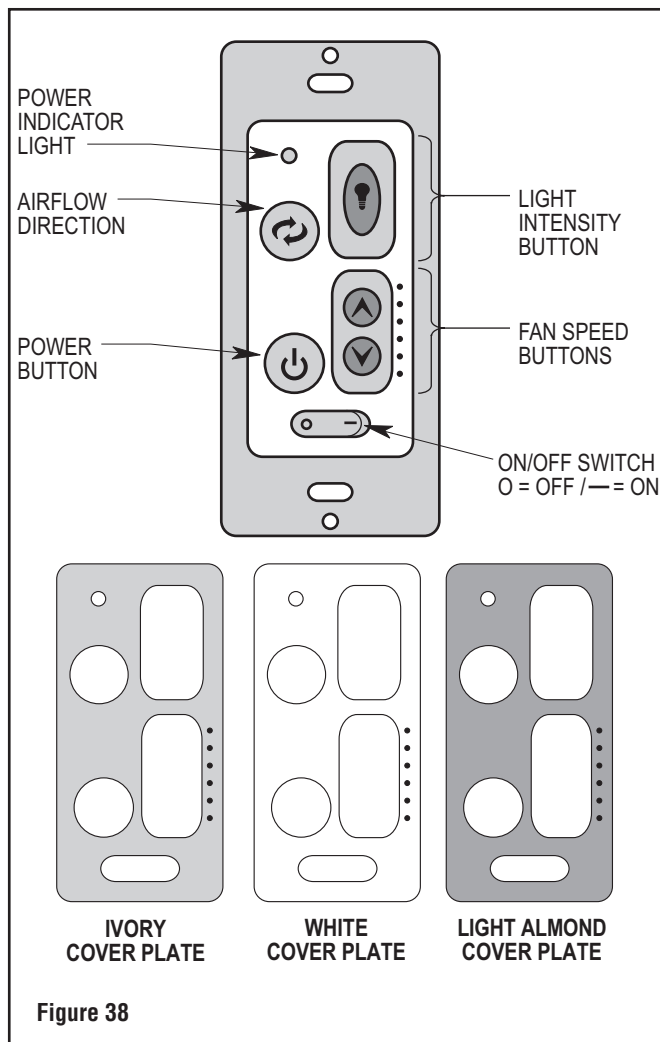
To set the desired Fan Speed, press the (▼) Button to decrease the Speed and the (▲) to increase the Speed. The LED display will light up to indicate the new speed selected.

To turn the Light ON and OFF, press and release the LIGHT (💡) Button. To set the light intensity, press and hold the LIGHT (💡) Button. The Light will turn ON at the light intensity previously selected (Figure 38).

If Airflow is desired in the opposite direction, press the (↻) Button on the Wall Control. The Fan must be operating at any Speed for the Reverse Button to function. The Blades will turn in the opposite direction and reverse the airflow.

Your Wall Control comes complete with your choice of Three Wall Cover Plates: Ivory, White and Light Almond (Figure 38).

Your Fan is now wired to be turned ON and OFF from the Fan Switch.



10. Maintenance

IMPORTANT CARE INSTRUCTIONS for your Ceiling Fan

Periodic cleaning of your new Ceiling Fan is the only maintenance that is needed.

When cleaning, use only a soft brush or lint free cloth to avoid scratching the finish.

Abrasive cleaning agents are not required and should be avoided to prevent damage to finish.

WARNING

Do not use water when cleaning your ceiling fan. It could damage the motor or the blades and create the possibility of an electrical shock.

11. Accessories

See Ceiling Fan catalog for these accessories:

- Downrod Extension Kits (see store or catalog).
- Accessory Ceiling Fan Controls:
 - Handheld Transmitter
 - Wall Transmitter
 - Wall/Handheld Transmitter

WARNING

The use of any other control not specifically approved for this fan could result in fire, shock and personal injury.

WARNING

This product is designed to use only those parts supplied with this product and/or any accessories designated specifically for use with this product by us. Substitution of parts or accessories not designated for use with this product by us could result in personal injury or property damage.

12. Energy Efficient Use of Ceiling Fans

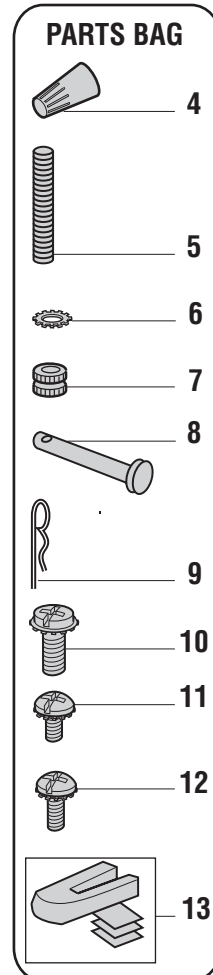
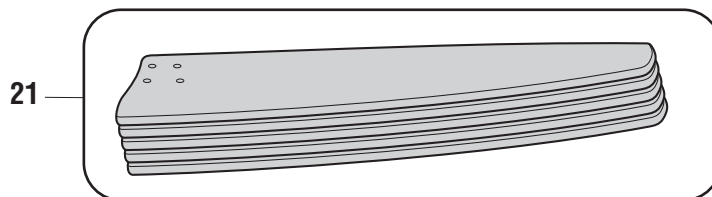
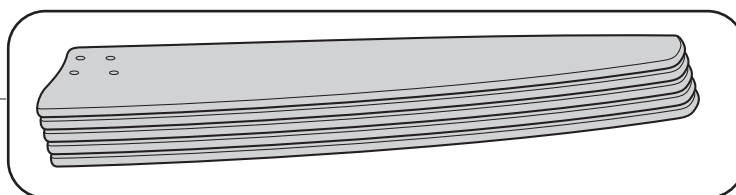
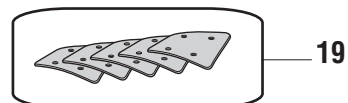
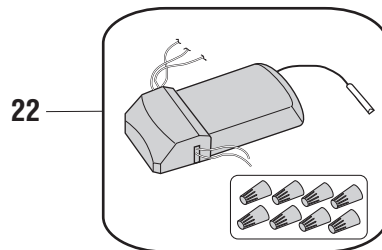
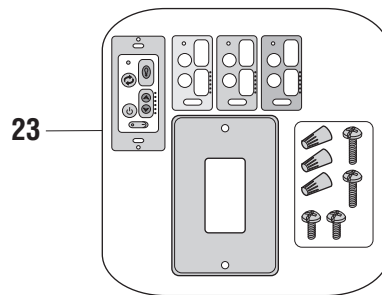
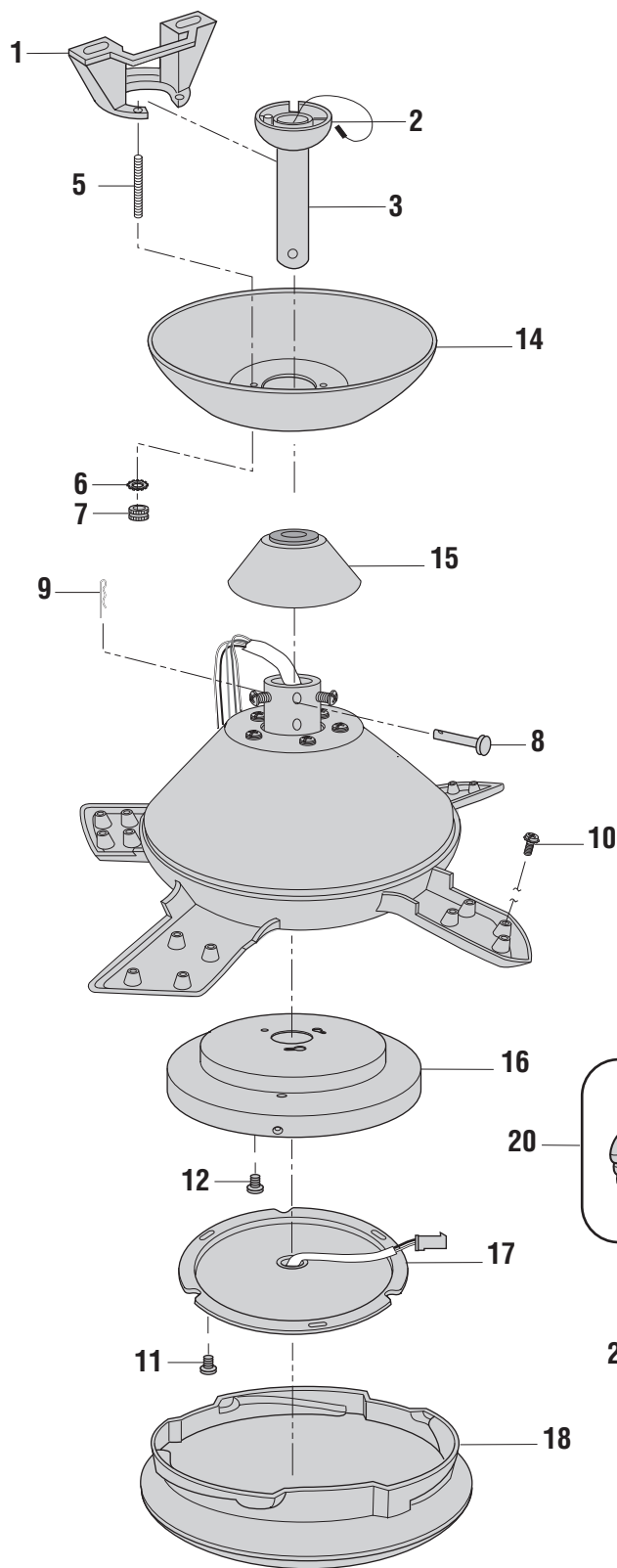
Ceiling fan performance and energy savings rely heavily on the proper installation and use of the ceiling fan. Here are a few tips to ensure quality and product performance.

Choosing the Appropriate Mounting Location. Ceiling fans should be installed, or mounted, in the middle of the room and at least 7 feet above the floor and 18 inches from the walls. If ceiling height allows, install the fan 8 - 9 feet above the floor for optimal airflow. Consult your Retailer for optional mounting accessories.

Using the Ceiling Fan Year Round. In the summer, use the ceiling fan in the counter-clockwise direction. The airflow produced by the ceiling fan creates a wind-chill effect, making you "feel" cooler. Select a fan speed that provides a comfortable breeze, lower speeds consume less energy. In the winter, reverse the motor and operate the ceiling fan at low speed in the clockwise direction. This produces a gentle updraft, which forces warm air near the ceiling down into the occupied space. Remember to adjust your thermostat when using your ceiling fan - additional energy and dollar savings could be realized with this simple step!

Turn Off When Not in the Room. Ceiling fans cool people, not rooms. If the room is unoccupied, turn off the ceiling fan to save energy.

13. Repair Parts



13. Repair Parts Listing

| Key No. | Description | Part Numbers | | |
|---------|------------------------------------------------------------------------------------------|--------------|-------------|-------------|
| | | Model No. | Model No. | Model No. |
| * | Hanger Ball Assembly, Consisting of: | 761655-27 | 761655-105 | 761655-65 |
| 1 | Hanger Bracket (1) | — | — | — |
| 2 | Hanger Ball (1) | — | — | — |
| 3 | 6" Downrod (1) | — | — | — |
| * | Hardware Bag Containing: | 765053-CRM | 765053-BLOX | 765053-BLOX |
| 4 | Wire Connectors, 12 ga. (5) | — | — | — |
| 5 | Threaded Studs, #8-32 x 1-1/4" (2) | — | — | — |
| 6 | Lockwashers, External Tooth, #8 (2) | — | — | — |
| 7 | Knurled Knobs, #8-32 (2) | — | — | — |
| 8 | Clevis Pin (1) | — | — | — |
| 9 | Hairpin Clip (1) | — | — | — |
| 10 | Screws, Serrated Head, #8-32 x 1/2" (21) (blade screws + 1 spare) | — | — | — |
| 11 | Screws, Phillips Pan Head w/Lockwasher, #6-32 x 1/4" (4) (LED light fixture screws) | — | — | — |
| 12 | Screw, Phillips Pan Head w/Lockwasher, #6-32 x 3/8" (1) (light fixture adapter screw) | — | — | — |
| 13 | Blade Balance Kit (1) | — | — | — |
| 14 | Ceiling Cover (1) | | | |
| 15 | Coupler Cover (1) | | | |
| 16 | Light Fixture Adapter (1) | | | |
| 17 | LED Light Fixture Assembly (1) | | | |
| 18 | Shade (1) | | | |
| 19 | Blade Support Plates (5) | | | |
| 20 | Fan Blades, 72" (Set of 5) | | | |
| 21 | Fan Blades, 60" (Set of 5) | | | |
| 22 | Receiver w/Hardware (1) | 765091 | 765091 | 765091 |
| 23 | 6-Speed Wall Control w/Hardware (1) | 764088 | 764088 | 764088 |
| — | Owner's Manual | | | |

Before discarding packaging material, be certain all parts have been removed.

HOW TO ORDER REPAIR PARTS

WHEN ORDERING REPAIR PARTS, ALWAYS GIVE THE FOLLOWING INFORMATION:



- PART NUMBER
- NAME OF ITEM
- PART DESCRIPTION
- MODEL NUMBER

The model number of your Fan will be found on a label attached to the top housing.

14. Troubleshooting

WARNING

FOR YOUR OWN SAFETY TURN OFF POWER AT FUSE BOX OR CIRCUIT BREAKER BEFORE TROUBLESHOOTING YOUR FAN.

| TROUBLE | PROBABLE CAUSE | SUGGESTED REMEDY |
|---------------------------------------|--------------------------------------------------------------------------------------------------------------------------------------------------------------------------------------------------------------------------------------------------------------------------------------------------------------------------------------------------------------------------------------------------------------|-------------------------------------------------------------------------------------------------------------------------------------------------------------------------------------------------------------------------------------------------------------------------------------------------------------------------------------------------------------------------------------------------------------------------------------------------------------------------------------------------------------------------------------------------------------------------------------------------------------------------------------------------|
| 1. Fan will not start. | <ol style="list-style-type: none"> 1. Fuse or circuit breaker blown. 2. Loose power line connections to the fan. 3. Fan/Light wall control is OFF. 4. Wall control is not programmed. | <ol style="list-style-type: none"> 1. Check main and branch circuit fuses or circuit breakers. <div style="border: 1px solid black; padding: 5px; text-align: center;"> <p> WARNING Make sure main power is turned OFF.</p> </div> <ol style="list-style-type: none"> 2. Check line power connections to fan. 3. Turn ON fan/light wall control. 4. Program the wall control and receiver per the Owner's Manual instructions. |
| 2. Fan sounds noisy. | <ol style="list-style-type: none"> 1. Blades not attached to fan. 2. Screws securing fan motor to motor hub are loose. 3. Screws holding blades to motor are loose. 4. The shade is loose. 5. Hanger bracket and/or ceiling outlet box is not securely fastened. | <ol style="list-style-type: none"> 1. Attach blades to fan before operating. <div style="border: 1px solid black; padding: 5px; text-align: center;"> <p> WARNING Make sure main power is turned OFF.</p> </div> <ol style="list-style-type: none"> 2. Check to make sure the screws which attach the blades to the motor are tight. 3. Tighten screws securely. 4. Tighten the shade securely. 5. Tighten the hanger bracket screws to the outlet box, and/or secure outlet box. |
| 3. Fan wobbles excessively. | <ol style="list-style-type: none"> 1. Screws securing fan blades to motor are loose. 2. Set screw in motor coupler is loose. 3. Fan blades out of balance. 4. Hanger bracket and/or ceiling outlet box is not securely fastened. 5. Set screw in hanger ball/downrod assembly is loose. 6. Screws securing fan motor to the motor hub are loose. | <ol style="list-style-type: none"> 1. Check to be sure screws which attach the fan blade to the motor are tight. 2. Raise coupler cover and tighten the set screw securely. 3. Interchanging an adjacent (side by-side) blade pair can redistribute the weight and result in smoother operation. Or use supplied balancing kit to balance blades. 4. Tighten the hanger bracket screws to the outlet box, and/or secure outlet box. 5. Tighten the set screw in the hanger ball/downrod assembly. 6. Check to be sure the screws which attach the motor to the motor hub are tight. |
| 4. Light fixture will not illuminate. | <ol style="list-style-type: none"> 1. Loose electrical connectors. | <ol style="list-style-type: none"> 1. Shut off the branch circuit electricity at the fuse box or breaker panel and check the electrical connectors for proper installation. |

Ceiling Fan Product Limited Warranty

What The Limited Warranty Covers:

This limited warranty is offered by us, a division of us to the original purchaser ("you" or "your") of a consumer or industrial ceiling fan product including its motor and the other components, and accessories of a consumer or industrial ceiling fan product sold separately ("Ceiling Fan Product(s)") against defects in workmanship and materials, subject to the exclusions described below.

What The Limited Warranty Period Of Coverage Is:

All limited warranty periods herein begin on the date of original Ceiling Fan Product purchased by You.

This limited warranty covers the consumer Ceiling Fan Product motor for the lifetime of the original purchaser's ownership when operated in accordance with Your Ceiling Fan Product Owner's Manual or other instructions provided by us to You with the consumer Ceiling Fan Product.

This limited warranty covers the industrial Ceiling Fan Product motor for five years from the date of purchase of Your industrial Ceiling Fan Product (when operated in accordance with Your Ceiling Fan Product Owner's Manual or other instructions provided by us to You with the industrial Ceiling Fan Product).

This limited warranty covers the Ceiling Fan Product LED drivers and LED arrays component or accessory LED drivers and LED arrays for a period of five (5) years. All other components of this Ceiling Fan Product certified as ENERGY STAR® including motor electronics are covered by this limited warranty for a period of three (3) years. All other components and accessories of this Ceiling Fan Product including motor electronics are covered by this limited warranty for a period of one (1) year.

No Other Express or Implied Warranty Applies:

THE LIMITED WARRANTIES PROVIDED ABOVE ARE THE SOLE AND EXCLUSIVE WARRANTIES PROVIDED BY US TO YOU FOR YOUR Ceiling Fan Product, AND ARE IN LIEU OF ALL OTHER WARRANTIES, WRITTEN OR ORAL, EXPRESS OR IMPLIED, WHETHER ARISING BY OPERATION OF LAW OR OTHERWISE, WHETHER OR NOT THE PURPOSE HAS BEEN DISCLOSED AND WHETHER OR NOT THIS Ceiling Fan Product HAS BEEN SPECIFICALLY DESIGNED OR MANUFACTURED FOR YOUR USE OR PURPOSE. WE HEREBY DISCLAIMS ANY AND ALL IMPLIED WARRANTIES, INCLUDING WITHOUT LIMITATION, IMPLIED WARRANTIES OF MERCHANTABILITY OR FITNESS FOR A PARTICULAR PURPOSE.

How You Can Receive Warranty Service:

You must be the original purchaser and have proof of Your purchase of Ceiling Fan Product from an our authorized Products Dealer to obtain Your remedy under this limited warranty. You can return Your Ceiling Fan Product to an our authorized Products Dealer, or You can call our Customer Service to obtain a return authorization and service identification tag. In order for Us to confirm that Your Ceiling Fan Product is still under warranty, please retain Your receipt or other proof of purchase and have that information readily available when returning Your Ceiling Fan Product to Your place of purchase, or upon calling our Customer Service. If You call our Customer Service, prior to Your call please be prepared to provide all model numbers shown on Your Ceiling Fan Product. Once We have processed your return authorization request, We will provide You with a postage paid return label which should be affixed to this Ceiling Fan Product package You ship. The return label will be sent to the mailing address You provide to Us by phone.

What We Will Do To Correct Problems:

If the defect is covered by this limited warranty, we will repair or replace the applicable Ceiling Fan Product at no charge to You. If repair of this Ceiling Fan Product is not practical or possible within a reasonable time and no replacement Ceiling Fan Product can be provided, we will refund You the actual purchase price of Your Ceiling Fan Product. We will ship the repaired or the replacement Ceiling Fan Product to You at no charge, but You are responsible for all costs of removal and reinstallation of Your Ceiling Fan Product.

What Is Not Covered under the Limited Warranty:

This limited warranty does not extend to and expressly excludes:

- The glass globes and light bulbs of Your Ceiling Fan Product,
- Any costs or fees associated with the labor, including electrician's fees, required to install, remove, repair or replace a fan or any fan components or accessories.
- Loss or damage to this Ceiling Fan Product motor or any Ceiling Fan Product component or Ceiling Fan Product accessory caused by normal wear and tear, rather than due to defects in materials or workmanship,
- Loss or damage resulting from conditions beyond our reasonable control, including without limitation, unforeseeable operating environmental conditions, repairs not made at Our factory or authorized service center, use of parts or accessories not provided to You as part of this warranty by Our factory or authorized service center, mishandling, unreasonable use, misuse, abuse, modifications or other damage caused by You or a third party to your Ceiling Fan Product while not in Our possession,
- Loss or damage resulting from improper installation, or other failure to comply with instructions in Your Owner's Manual including but not limited to Ceiling Fan Products installed in unintended industrial or residential applications.
- Ceiling Fan Product purchases from our unauthorized Products Dealers.

This limited warranty is deemed null and void upon the occurrence of either of the following events:

- You as the original purchaser cease to own this Ceiling Fan Product, or
- This Ceiling Fan Product is moved from its original point of installation.

This limited warranty is only valid within the 50 United States, the District of Columbia, and Canada. No other written or oral warranties apply, and no employee, agent, dealer or other person is authorized to give any warranties on behalf of Us.

Limitation of Liability:

REPAIR, REPLACEMENT OR A REFUND ARE THE EXCLUSIVE REMEDIES AVAILABLE TO YOU UNDER THIS LIMITED WARRANTY. TO THE EXTENT PERMITTED BY LAW, IN NO EVENT SHALL WE OR ANY AUTHORIZED DEALER BE LIABLE FOR ANY INCIDENTAL, SPECIAL, INDIRECT, OR CONSEQUENTIAL DAMAGES, INCLUDING ANY ECONOMIC LOSS, WHETHER RESULTING FROM NONPERFORMANCE, USE, MISUSE OR INABILITY TO USE THIS Ceiling Fan Product OR FOR THE NEGLIGENCE OF US OR AN OUR AUTHORIZED DEALER. WE SHALL NOT BE LIABLE FOR DAMAGES CAUSED BY DELAY IN PERFORMANCE AND IN NO EVENT, REGARDLESS OF THE FORM OF THE CLAIM OR CAUSE OF ACTION (WHETHER BASED IN CONTRACT, INFRINGEMENT, NEGLIGENCE, STRICT LIABILITY, OTHER TORT OR OTHERWISE), SHALL OUR OR ANY OUR AUTHORIZED AGENT'S LIABILITY TO YOU OR ANY INDIVIDUAL USING THIS Ceiling Fan Product EXCEED THE PRICE PAID BY THE ORIGINAL OWNER FOR THIS Ceiling Fan Product. The term "consequential damages" shall include, but not be limited to, loss of anticipated profits, business interruption, loss of use or revenue, cost of capital or loss or damage to property or equipment.

Dispute Resolution:

In the event of any dispute INCLUDING, BUT NOT LIMITED TO, BREACH OF CONTRACT, BREACH OF WARRANTY, CLAIMS BASED IN TORT, NEGLIGENCE, PRODUCT LIABILITY, FRAUD, MARKETING, STATE OR FEDERAL REGULATIONS, ANY CLAIMS REGARDING THE ENFORCEABILITY OF THIS LIMITED WARRANTY, AND THE WAIVER OF CLASS ACTION TRIALS between You and We, either party may choose to resolve the dispute by binding arbitration, as described below, instead of in court. THIS MEANS IF EITHER YOU OR WE CHOOSE BINDING ARBITRATION, NEITHER PARTY SHALL HAVE THE RIGHT TO LITIGATE SUCH CLAIM IN COURT OR HAVE A JURY TRIAL. DISCOVERY AND APPEAL RIGHTS ARE LIMITED IN BINDING ARBITRATION. You and We agree that the proper venue if Arbitration is not so chosen by You or We of all actions arising in connection herewith shall be only in the state of Missouri and the parties agree to such jurisdiction.

CLASS ACTION WAIVER: BINDING ARBITRATION MUST BE ON AN INDIVIDUAL BASIS. THIS MEANS NEITHER YOU NOR WE MAY JOIN OR CONSOLIDATE CLAIMS IN ARBITRATION BY OR AGAINST OTHERS, OR LITIGATE IN COURT OR ARBITRATE ANY CLAIMS AS A REPRESENTATIVE OR MEMBER OF A CLASS OR IN A PRIVATE ATTORNEY GENERAL CAPACITY.

ADMINISTRATION OF ARBITRATION: The binding arbitration must be administered by the American Arbitration Association ("AAA") in accordance with its Commercial Arbitration Rules and/or Supplementary Procedures for Consumer-Related Disputes (including proceedings to mitigate costs of travel). This binding arbitration is governed by the Federal Arbitration Act ("FAA") (9 USC §1, et. seq.) and will govern the interpretation and enforcement. The binding arbitration shall be held at a location determined by AAA or at such other location as mutually agreed. In addition to the terms stated above, the following will apply to the binding arbitration: (1) the arbitrator, and not any federal, state, or local court or agency, will have exclusive authority to resolve any dispute relating to the interpretation applicability, enforceability or formation of this agreement including any claim that all or any part of this agreement is void or voidable; (2) the arbitrator shall apply Missouri law consistent with the FAA.

How State and Provincial Law Relates To The Warranty:

Some states and provinces do not allow the exclusion or limitation of incidental or consequential damages so the above exclusion or limitation may not apply to You. This limited warranty gives you specific legal rights, and You may also have other rights which vary from state to state or province to province.

SERIAL NUMBER: _____ **DATE CODE:** _____

The serial number of this fan can be found on the nameplate on top of the fan housing. The date code can be found on the carton and on top of the fan housing, stamped in ink on a white label. You should record this data above and keep it in a safe place for future use.

Questions, problems, missing parts: Before returning to the store call
Customer Service

Retain this manual for future use.