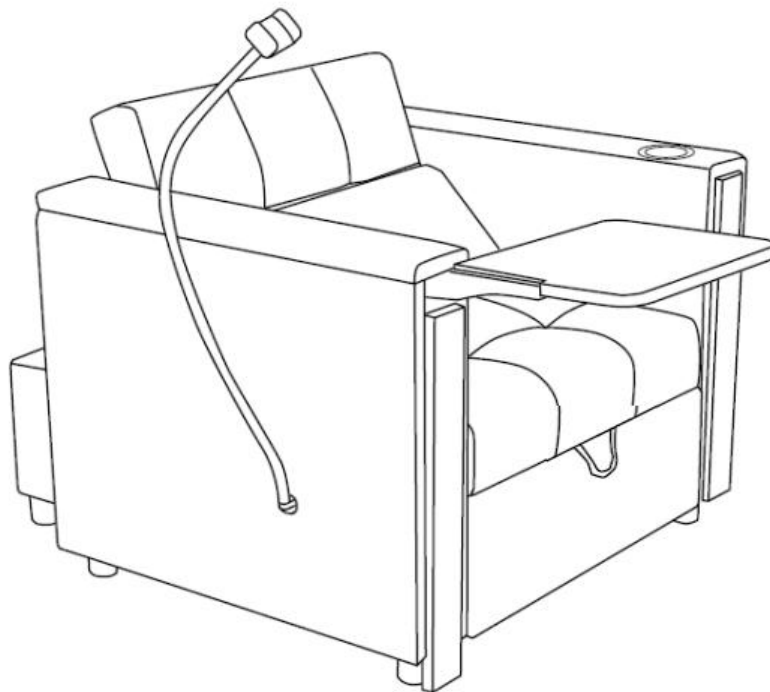


Assembly Instructions

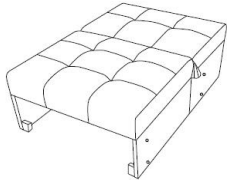
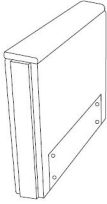

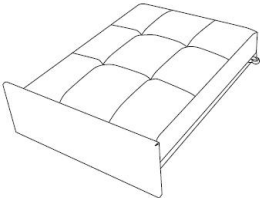


Note: Please help to read my instruction before you ready to assemble.

Chair







Notice: This Chair only can fully assembled with the parts in carton A & carton B









Part List

Label	Picture	Description	QTY (PCS)
A		Chair Frame	1
B		Left Armrest (with cell phone holder)	1
C		Right Armrest (with cup holder)	1
D		Footrest	1
E		Waist Cushion	1
F		Leg	6

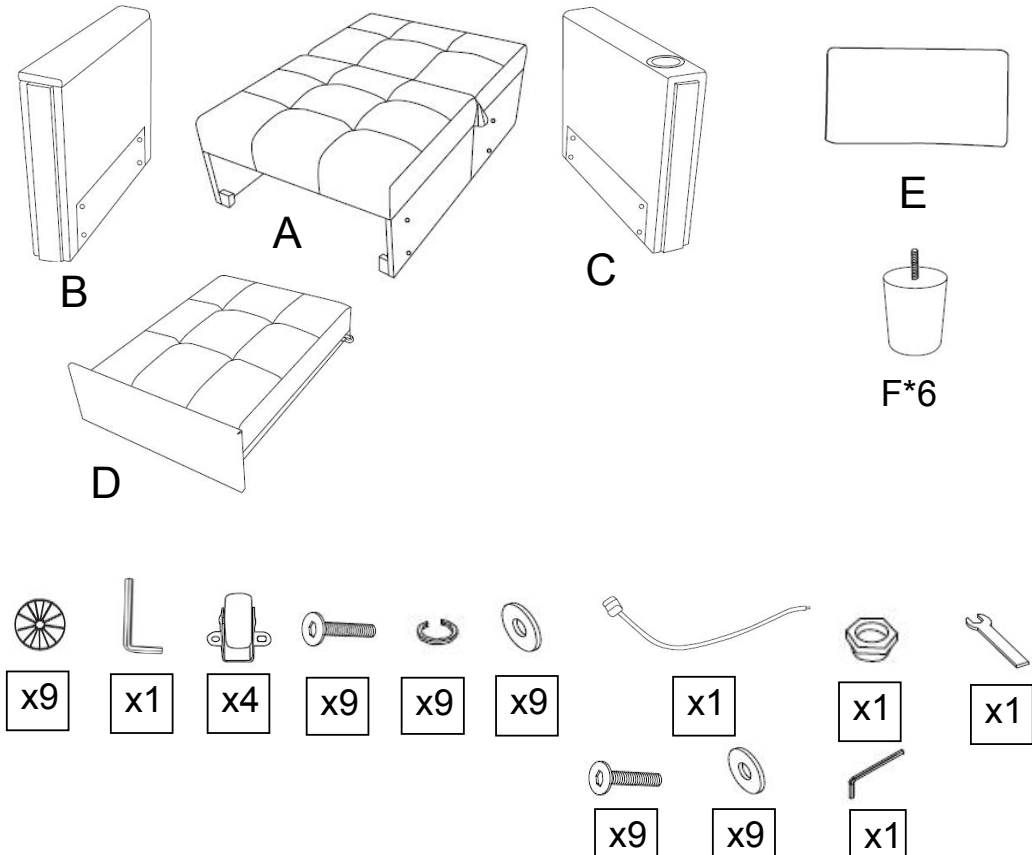
Hardware










①		Plastic Washer	9
②		Allen Wrench(S5)	1
③		Roller Wheel	4
④		Bolt(M8*60mm)	9
⑤		Spring Washer(M8)	9
⑥		Flat Washer(M8)	9




⑦		Cell Phone Holder	1
⑧		Nut	1
⑨		Spanner	1
⑩		Bolt(M6*30mm)	9
⑪		Flat Washer(M6)	9
⑫		Allen Wrench(S4)	1

Assembly Preparation

All Including:



 x9
  x1
  x4
  x9
  x9
  x9
  x1
  x1
  x1

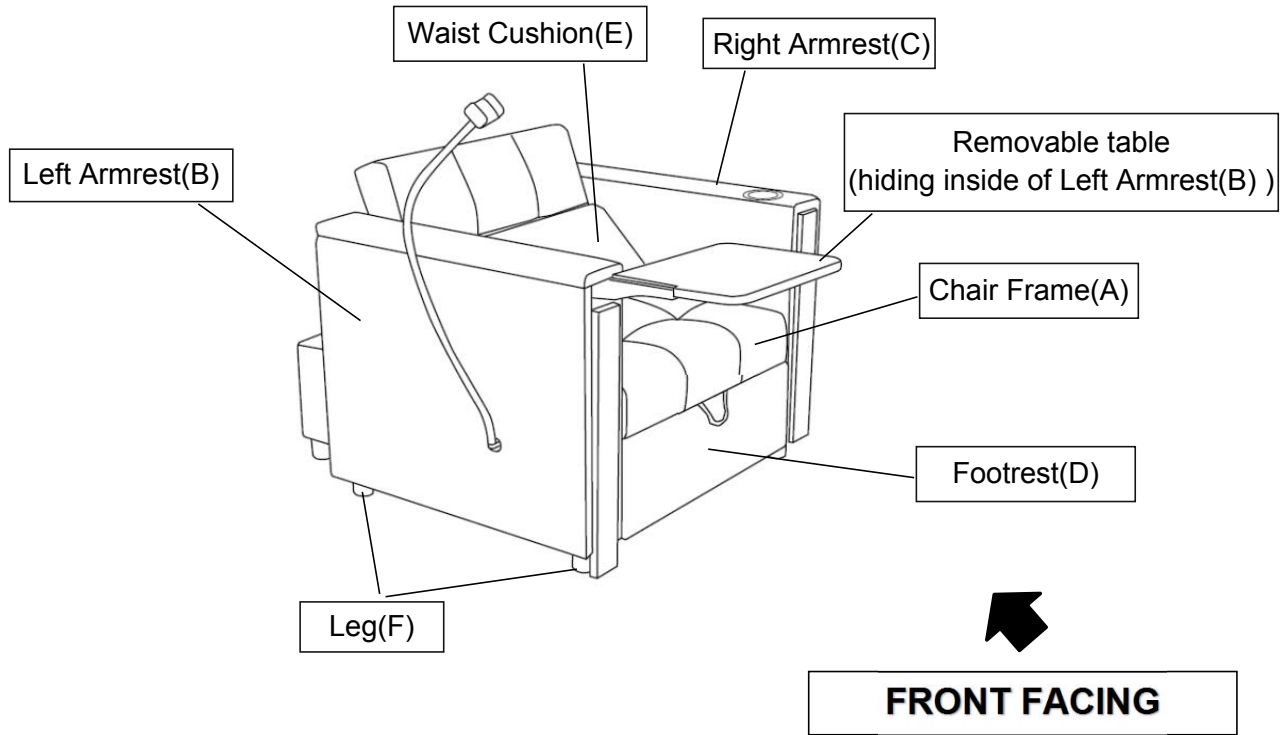
 x9
  x9
  x1

NOTICE:

- Please read the instruction from cover to cover in detail.Thanks.
- Installed by at least two adults
- To avoid damaging your furniture , Please don't assemble on flooring or carpet.
- Please assemble on a clean non-marring surface, example for packing foam.
- Saving all packaging until have finished.

Assembly Steps

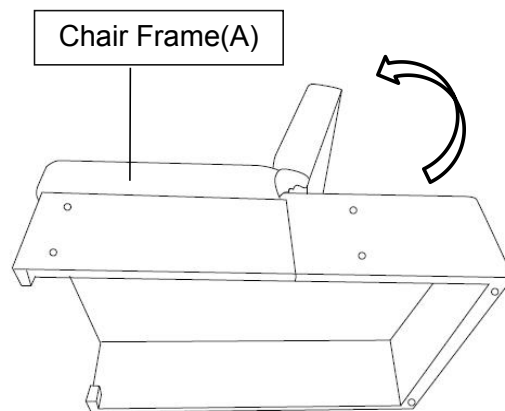
OVERVIEW



This Chair has multiple parts and may require up to 30 minutes to assemble. To give you an overview of the Chair parts, the above picture is to help you put the various parts into perspective. Please read through the instructions below to familiarise yourself with the parts and steps before assembly.

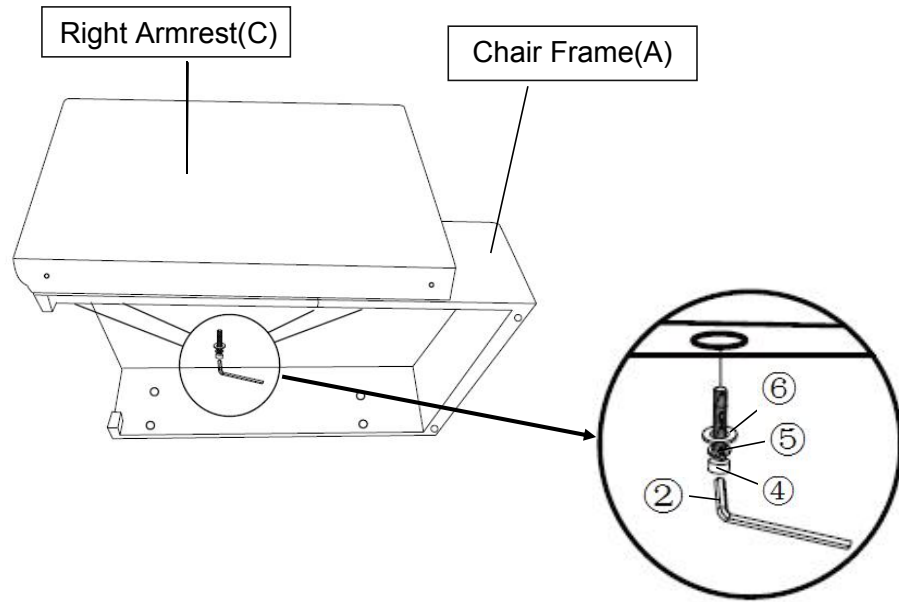
Note: It is recommended that you have an adult partner to assist during the entire assembly process.

Step 1



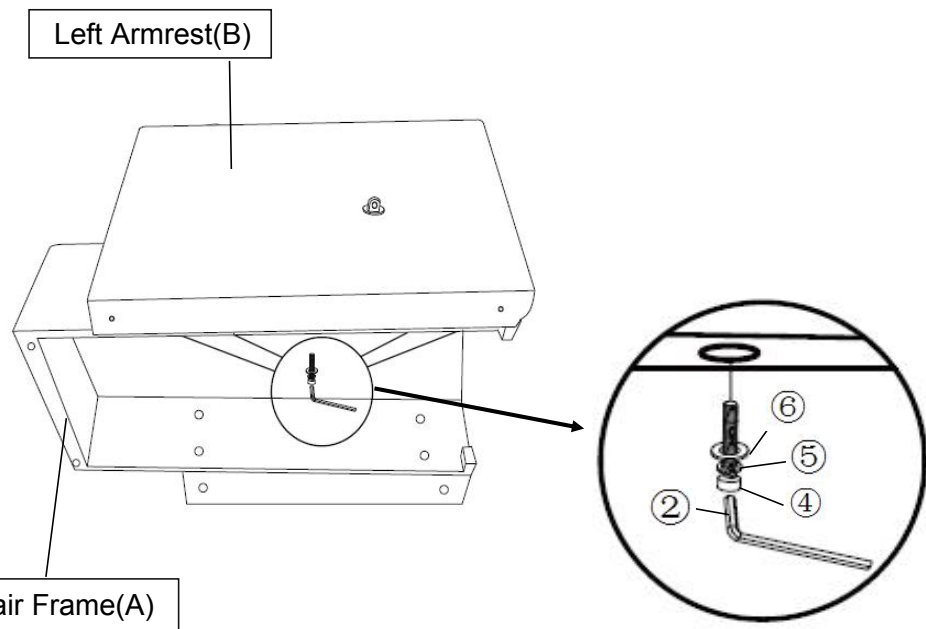
Open the carton A & carton B first, place all the parts on a clean, non-marring surface. Click the backrest up as picture showed above.

Step 2



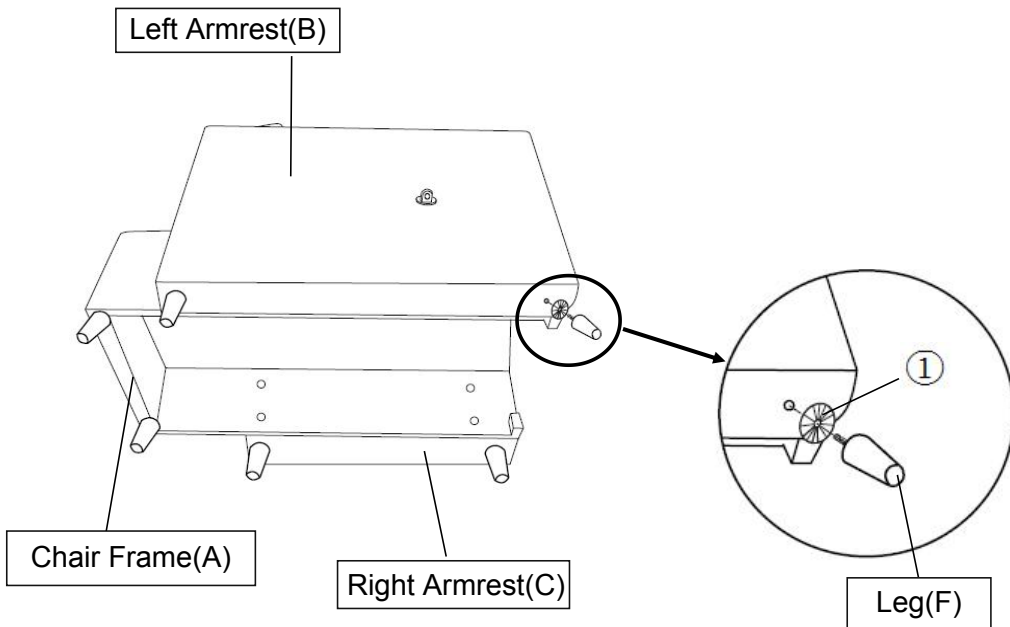
Install the Right Armrest(C) to the Chair Frame(A) by using Bolt(4) Spring Washer(5), Flat Washer (6), with Allen Wrench(2) turning clockwise until tight.

Step 3



Position the other side up, install the Left Armrest(B) to the Chair Frame(A) by using Bolt(4) Spring Washer(5), Flat Washer(6), with Allen Wrench(2) turning clockwise until tight.

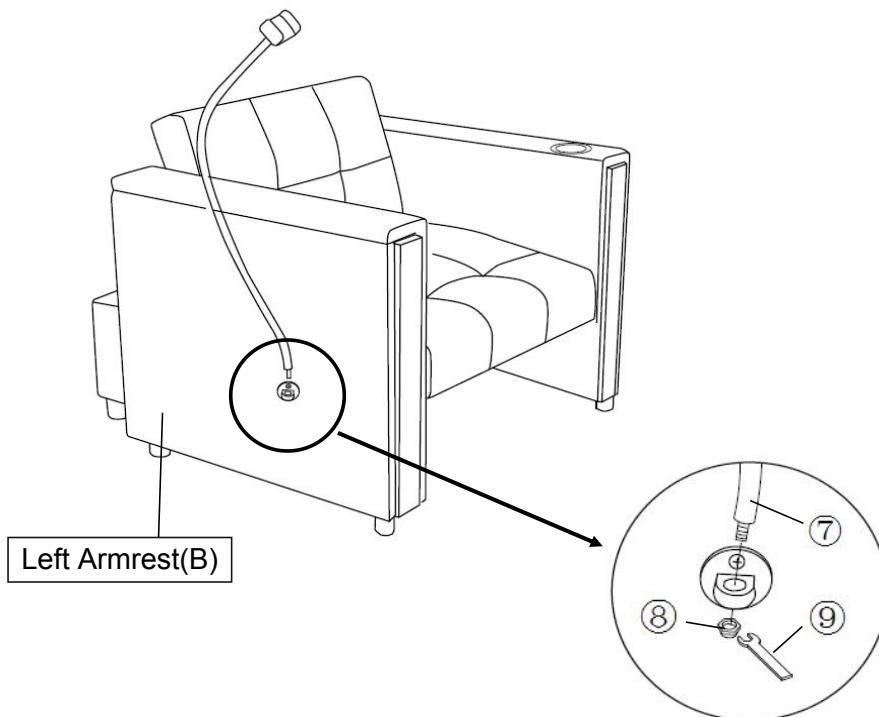
Step 4



Install the Leg(F) at the bottom of Chair by placing one Plastic Washer(1) on the threaded stem. Then insert threaded stem into the threaded mounting position at the bottom of Chair Frame(A), Left Armrest (B) and Right Armrest(C). Tighten by turning the Leg clockwise.

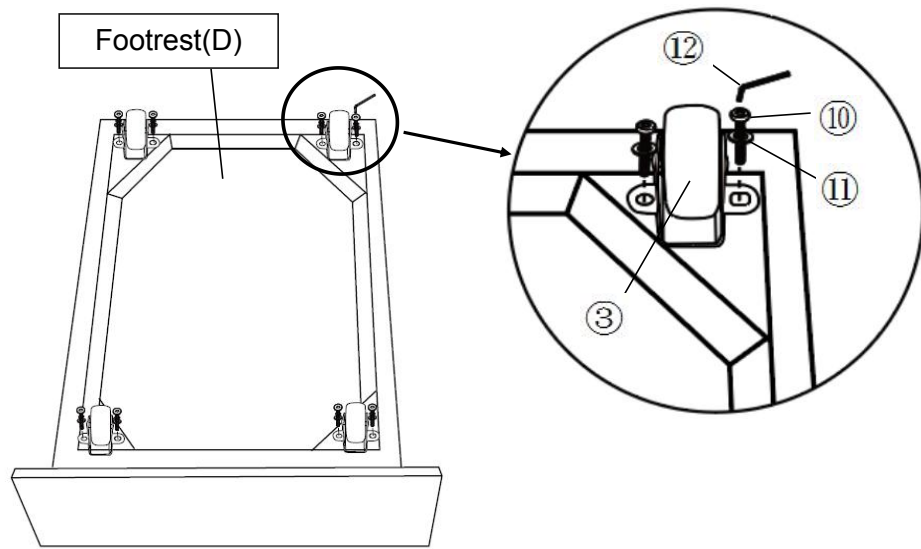
Note: The use of Plastic Washer(1) are OPTIONAL and are especially useful to help alleviate slight wobbles. Some Legs may need more than one whilst some legs may not need any.

Step 5



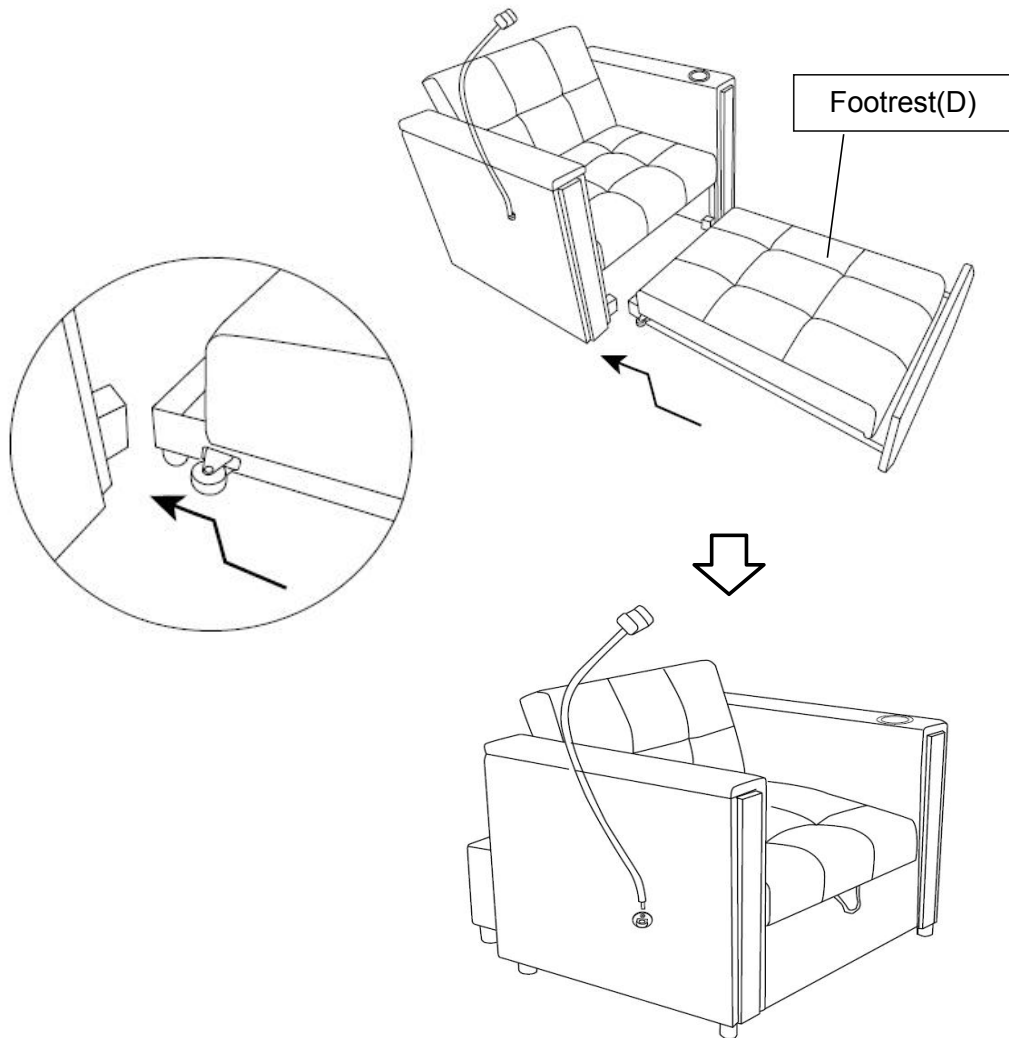
Position the Chair right side up, install the Cell Phone Holder(7) with Nut(8) and using Spanner(9) turning clockwise until tight.

Step 6



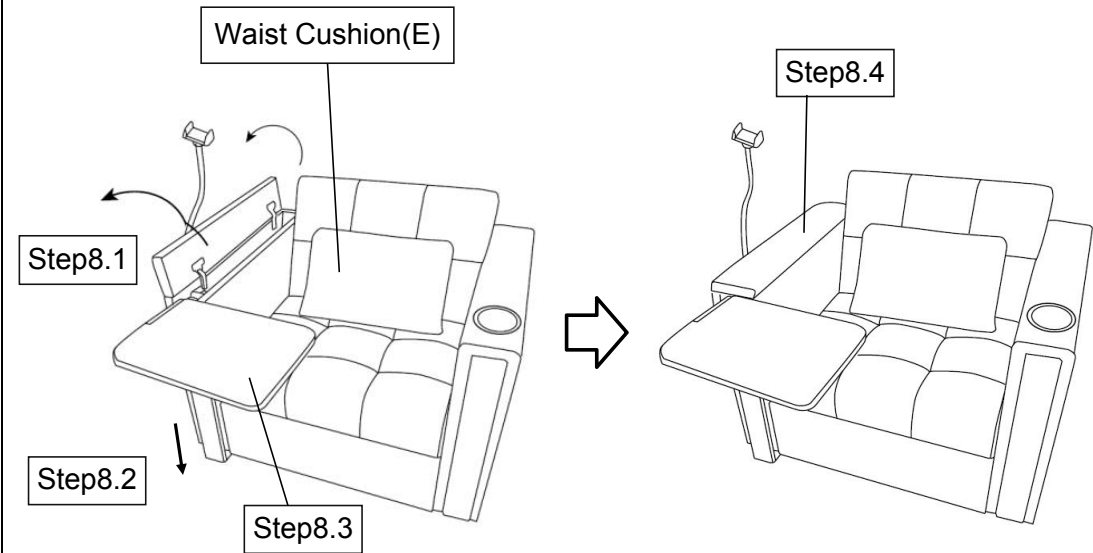
Position the Footrest(D) bottom up, install the Roller Wheel(3) by using Bolt(10), Flat Washer(11) with Allen Wrench(12) turning clockwise until tight.
Repeat the same step with other Roller Wheels and position Footrest(D) right side up.

Step 7



Place the Footrest(D) into the Chair as picture showed.

Step 8



Put the Waist Cushion(E) on the Chair,the chair is ready for use.

Take out the Removable table as the step below:

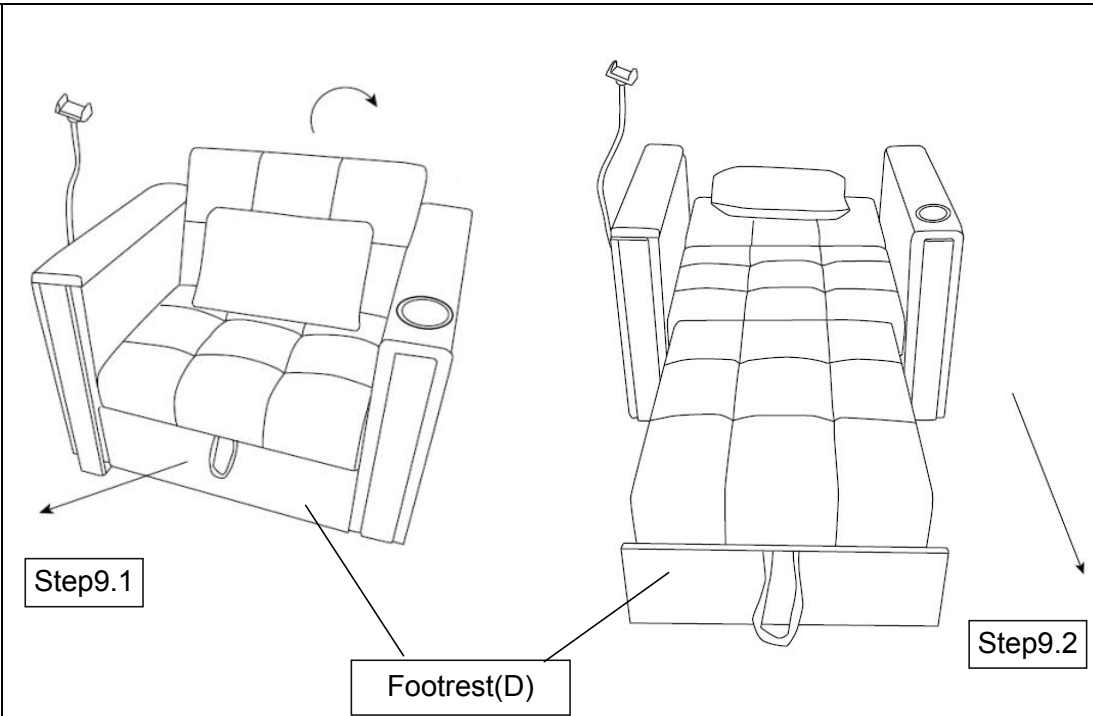
Step8.1: Open the lid on the Left Armrest(B) .

Step8.2: Slide down rope.

Step8.3: Take out the Removable table.

Step8.4: Close the lid on the Left Armrest(B) .

Step 9



Step9.1: Pull the rope of Footrest(D) in a level line.

Step9.2: Lift the rope to achieve flat.