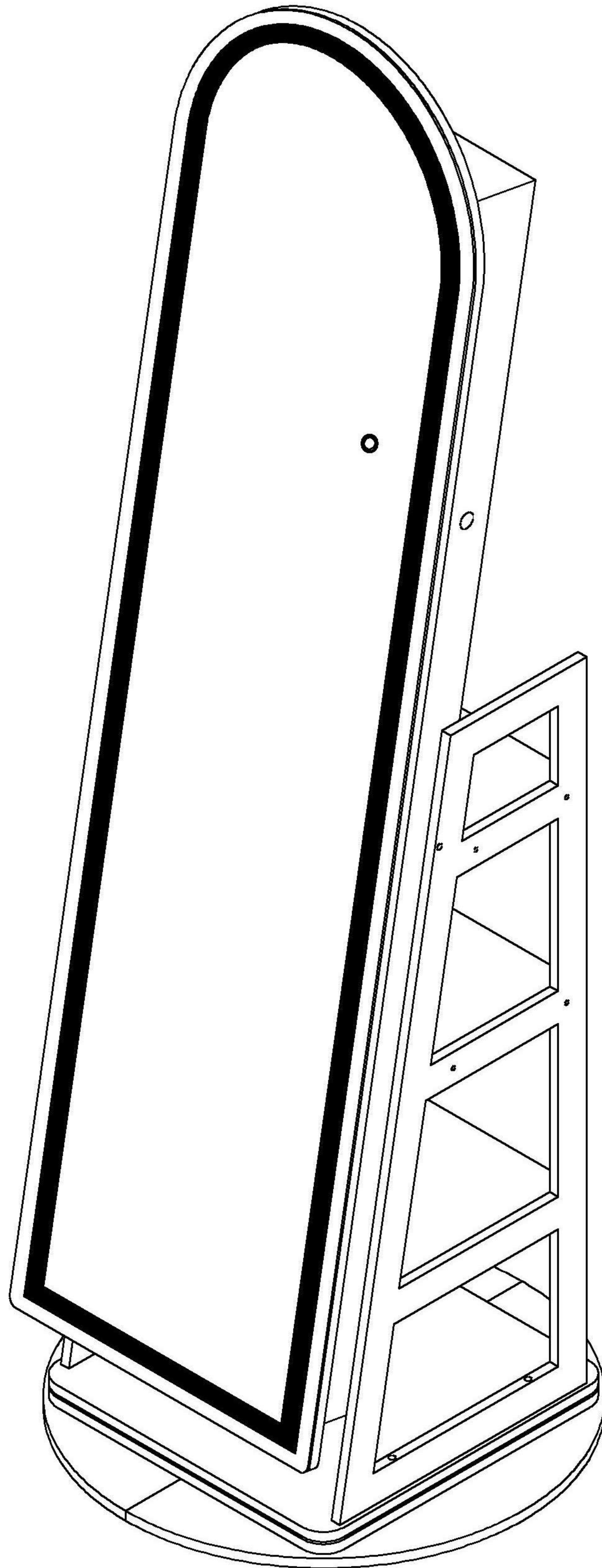


MIRROR JEWELLERY CABINET



Hardware list

①
Jewelry cabinet

⑦
Support frame
(886*348mm)
2 pcs

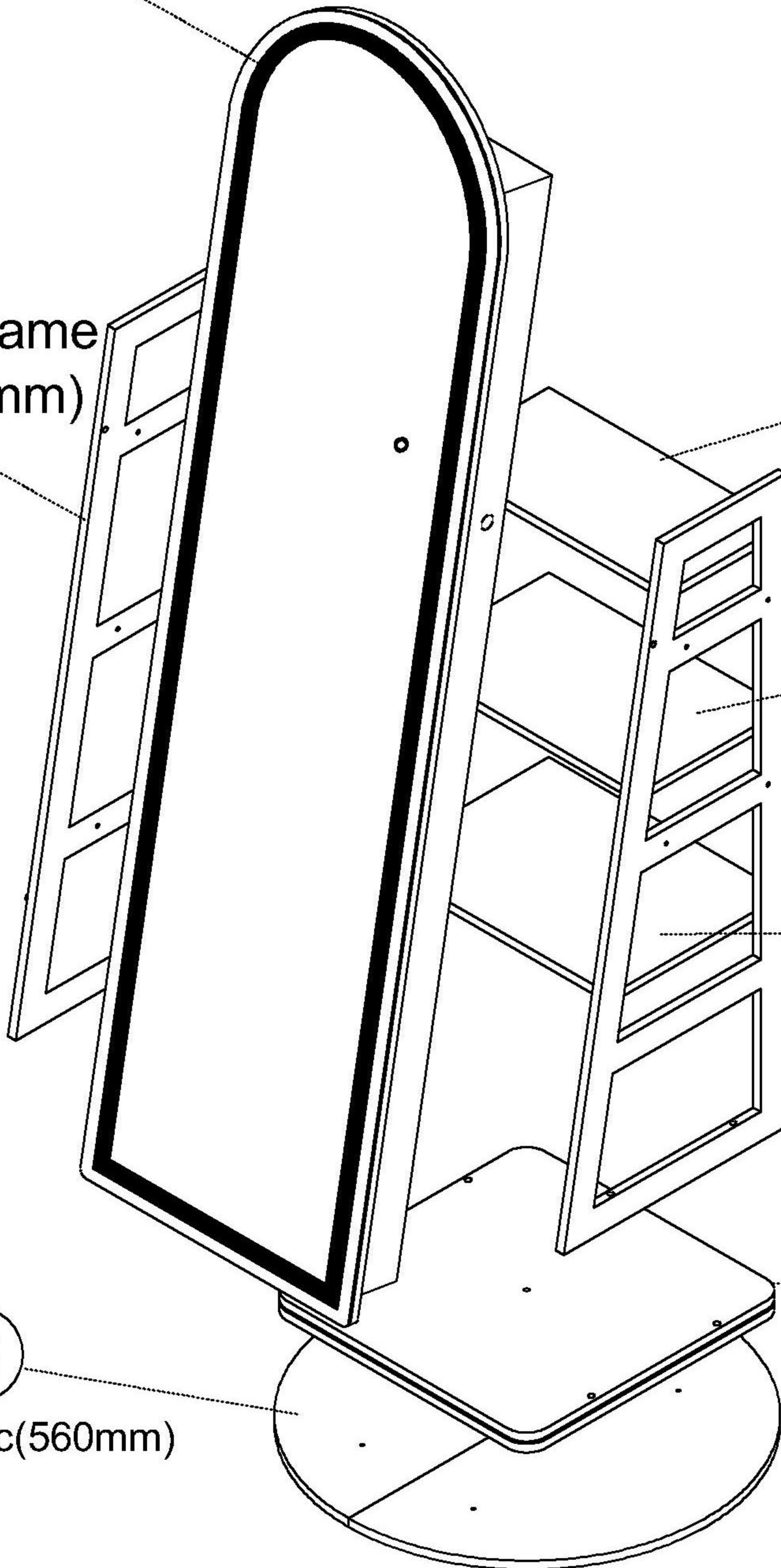
②
Back compartment
(370*180mm)

③
Back compartment
(370*225mm)





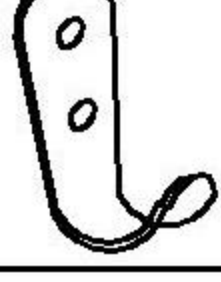


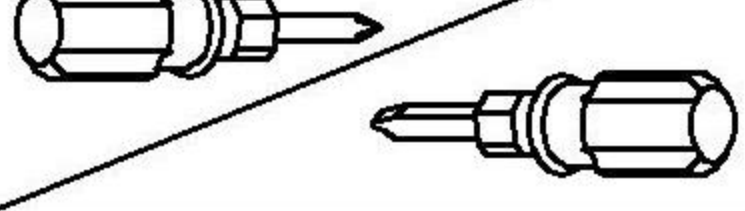




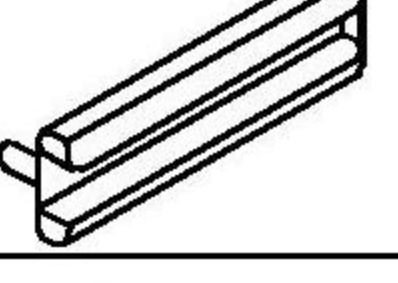
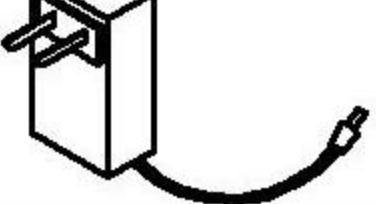
④
Back compartment
(370*270mm)

⑤
Compartment
panels(405*405mm)

⑥
Base disc(560mm)

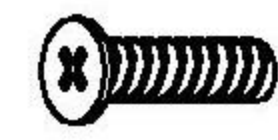


Accessories list

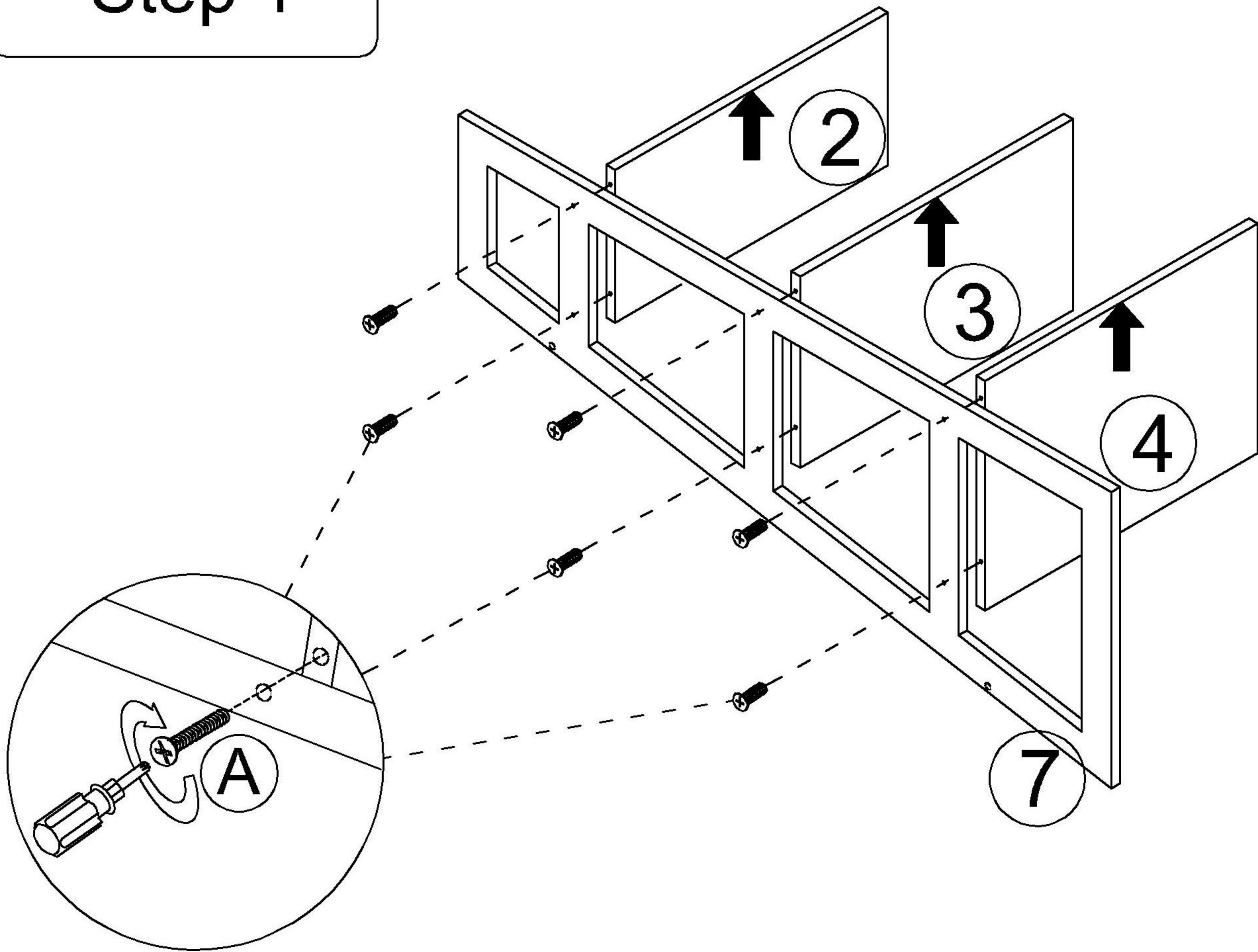
A		Cross nut (4x25mm)	12 Pcs
B		Key	1 Pcs
C		Cross machine wire (6x30mm)	4 Pcs
D		Self tapping screw(3x10mm)	6 Pcs
E		iron hook	3 Pcs
F		Cross nut (6x22mm)	4 Pcs
G		Cross machine wire (6x50mm)	4 Pcs
H		Screwdriver	1 Pcs
I		Anti-rewind (290mm)	1 Pcs
J		Self tapping wire(3x10mm)	1 Pcs
K		Colloidal granules/Self tapping wire(4x45mm)	1 Pcs
L		Acrylic spacer	3 Pcs
M		Acrylic left and right accessories	14 Pcs
N		The power adapter(12V 3A)	1 Pcs

Step 1

A



(4*25mm) X 6

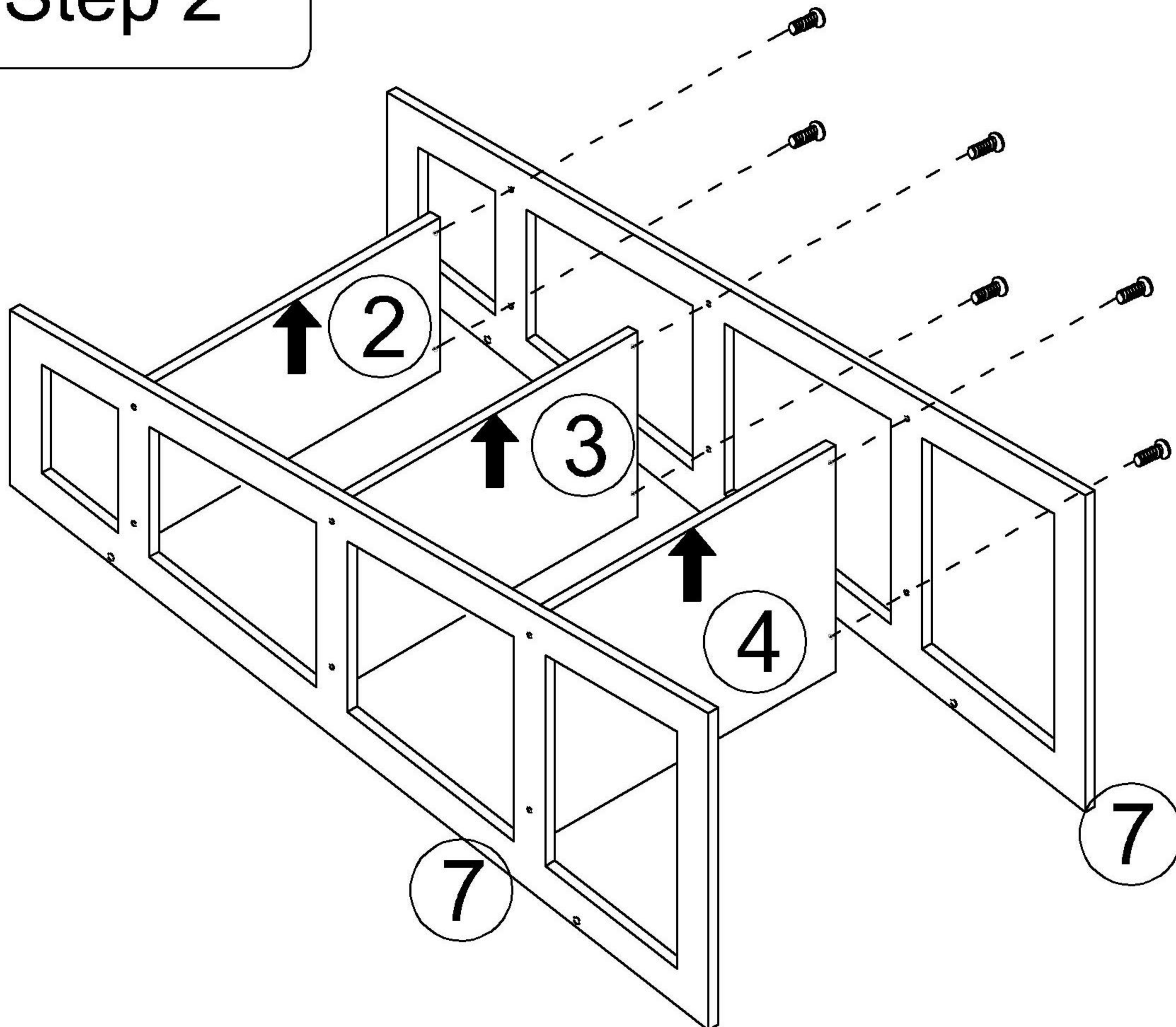


Step 2


A

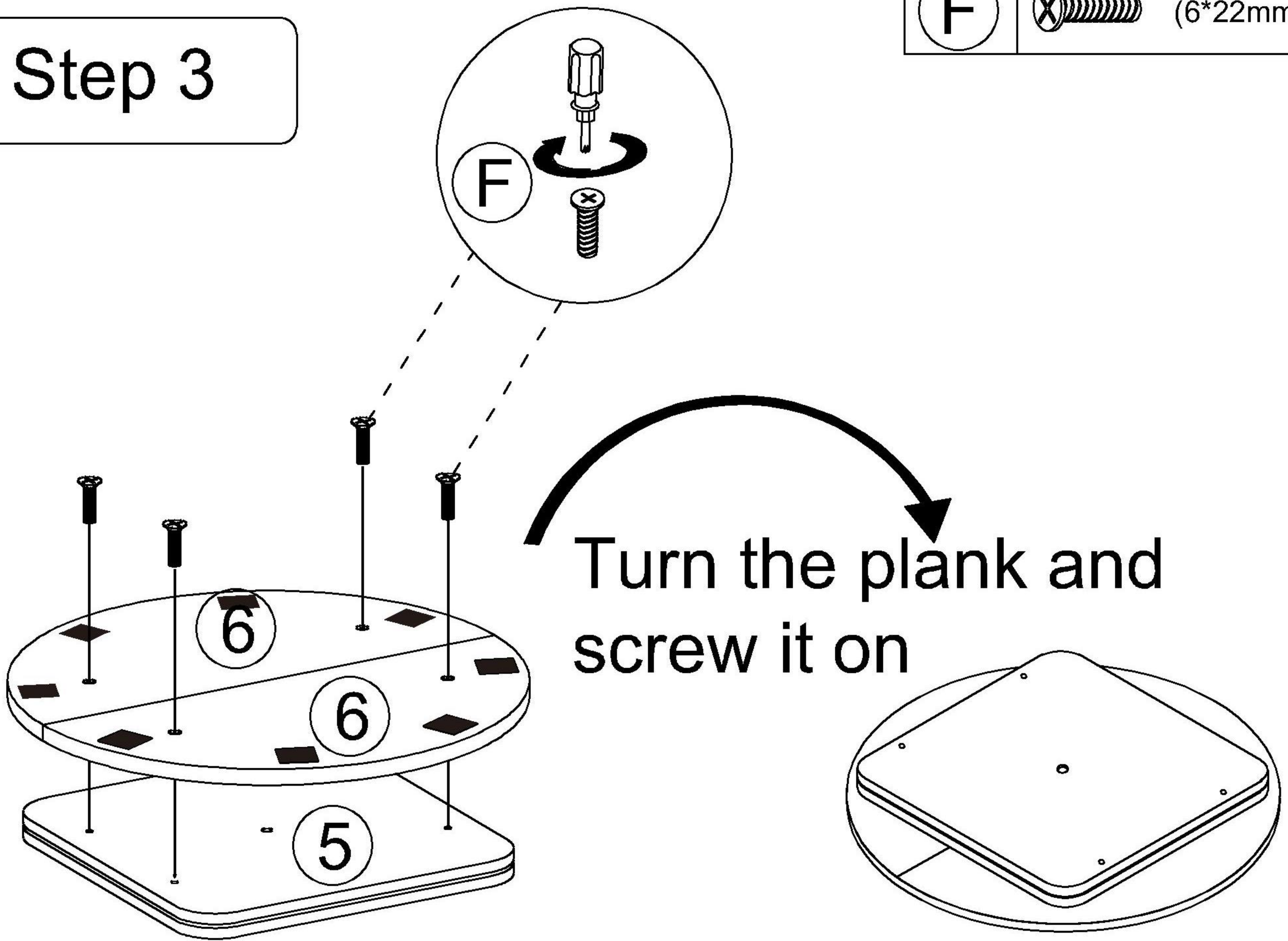


(4*25mm) X 6

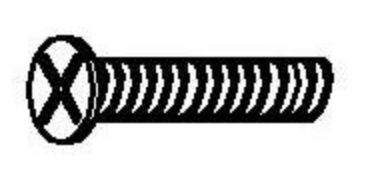


Step 3

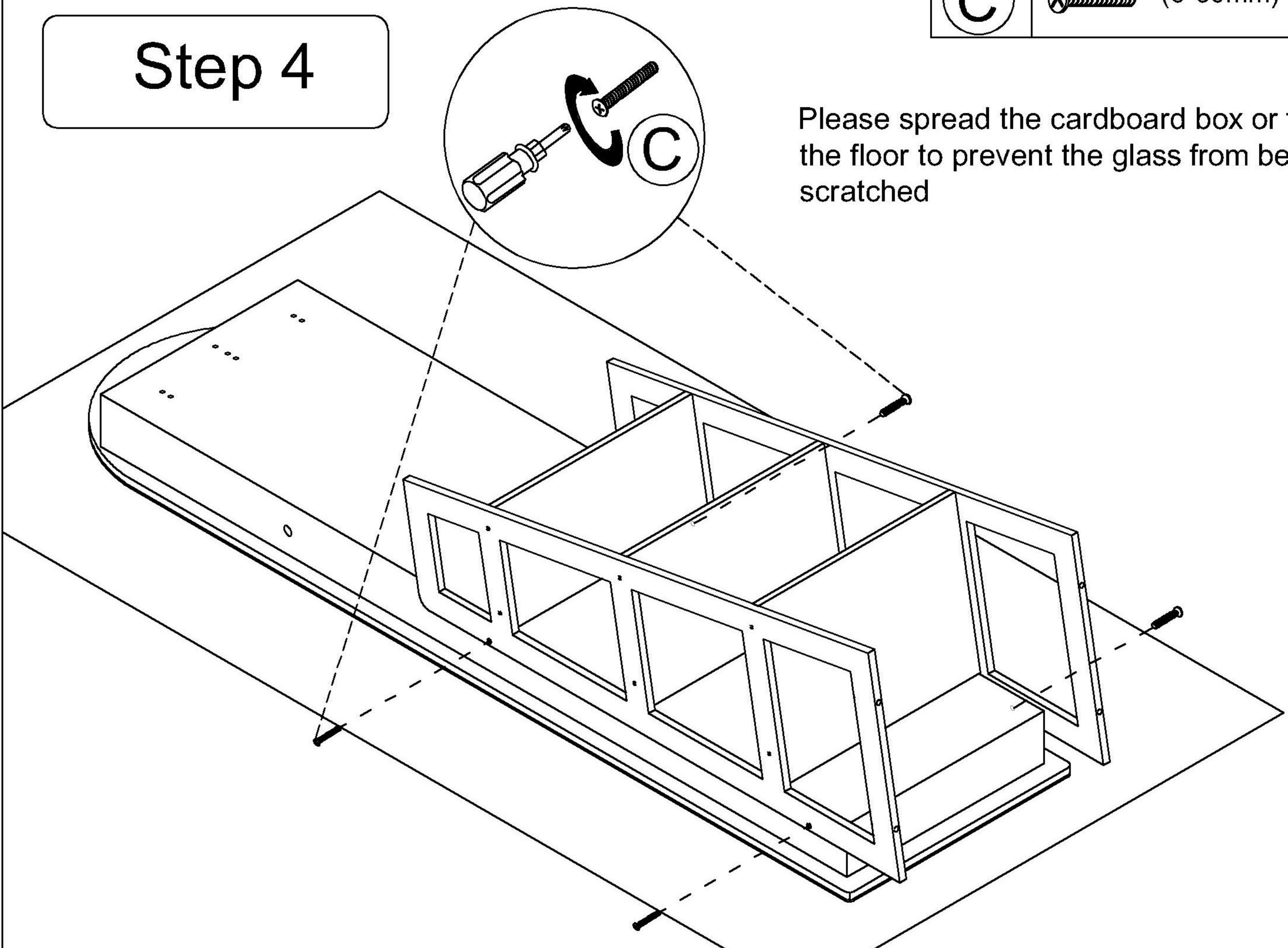
F  (6*22mm) **x 4**




Step 4

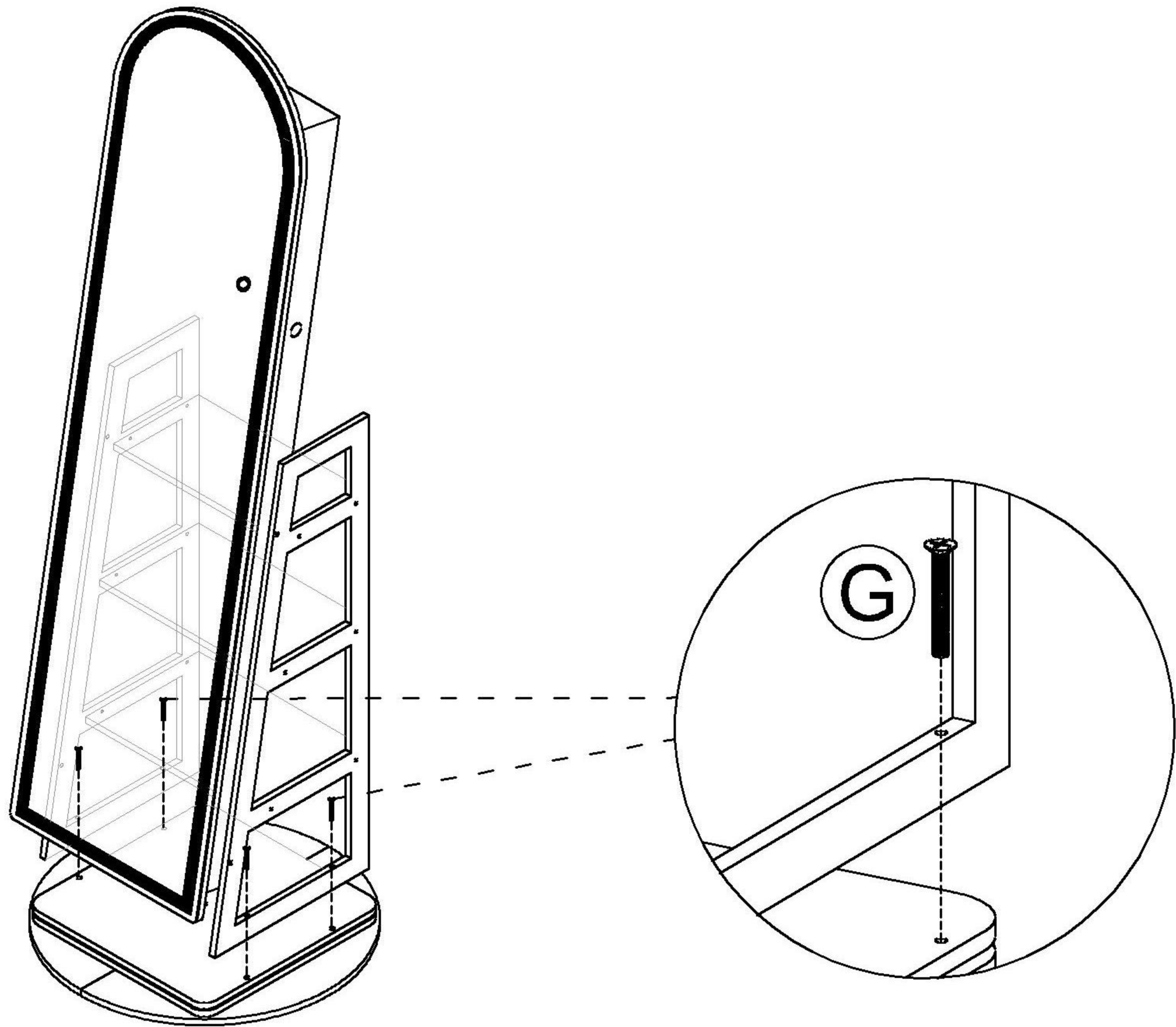
C  (6*30mm) **x 4**

Please spread the cardboard box or foam on the floor to prevent the glass from being scratched



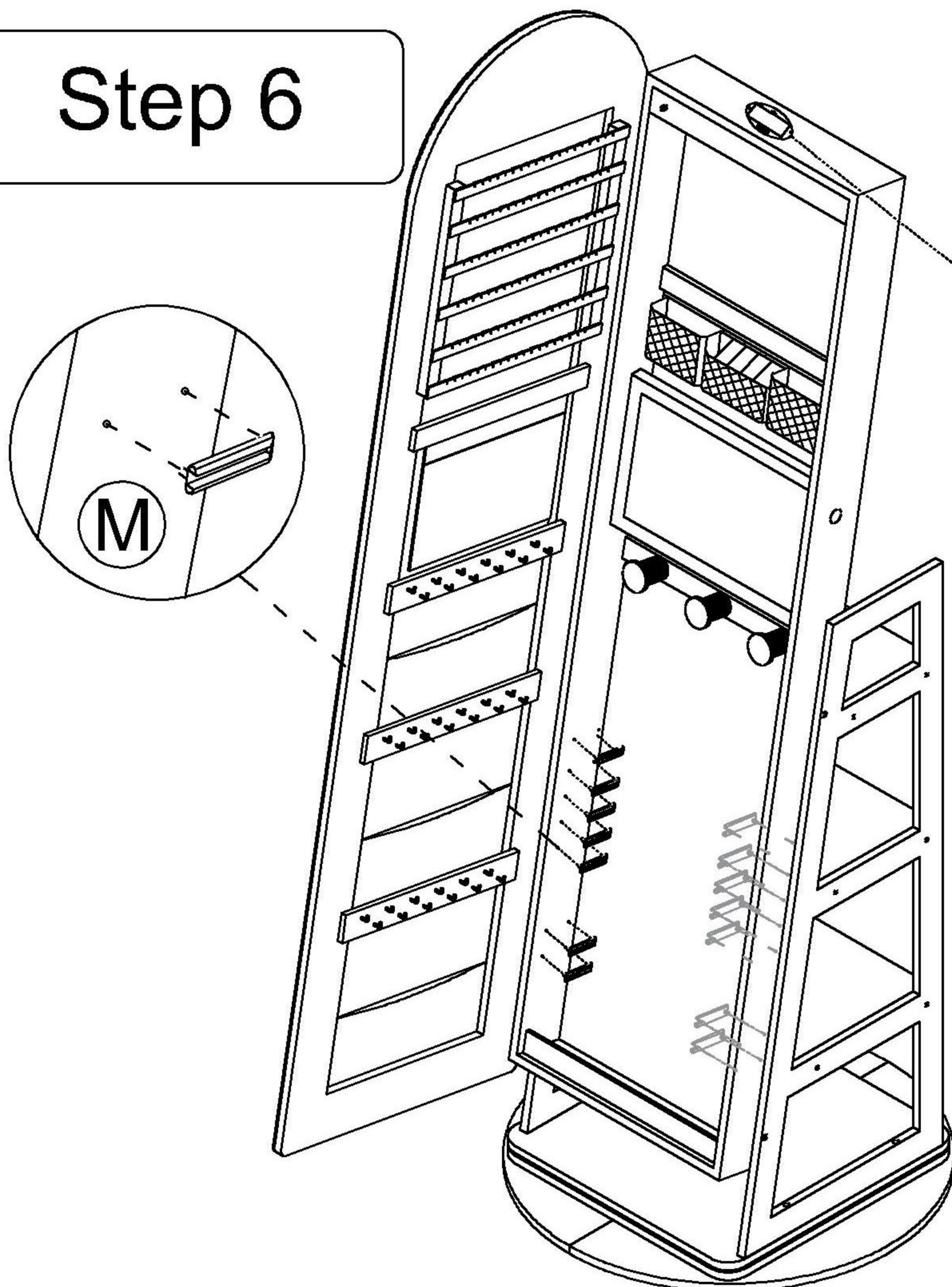
Step 5

G  (6*50mm) **x 4**

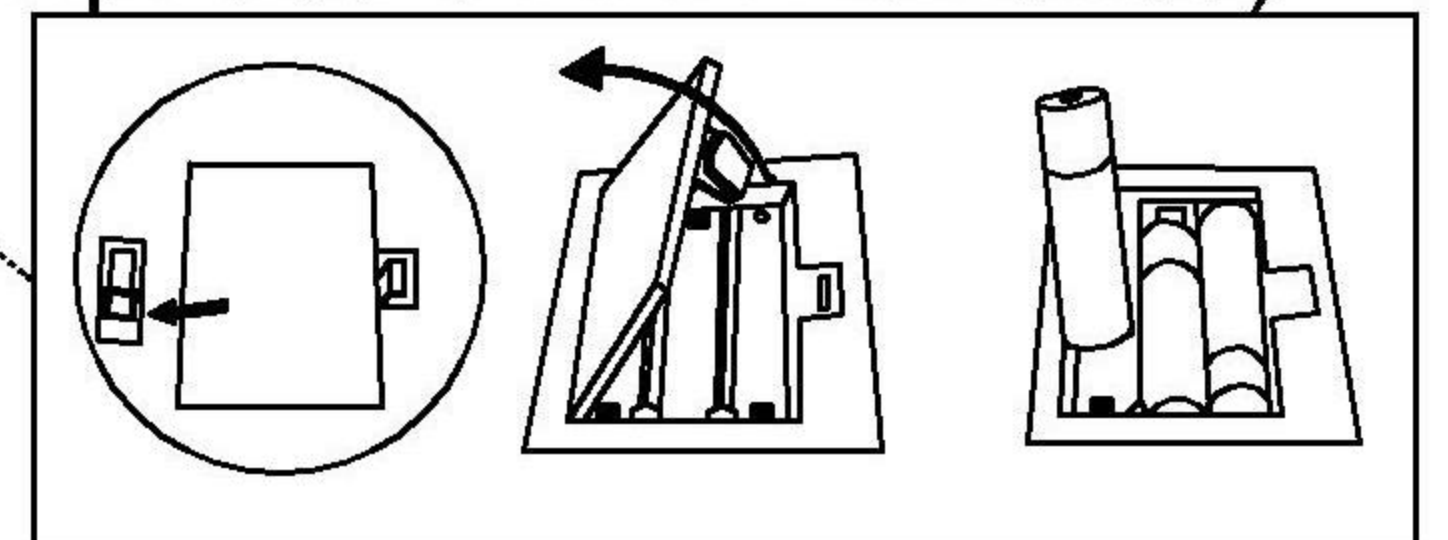


Step 6

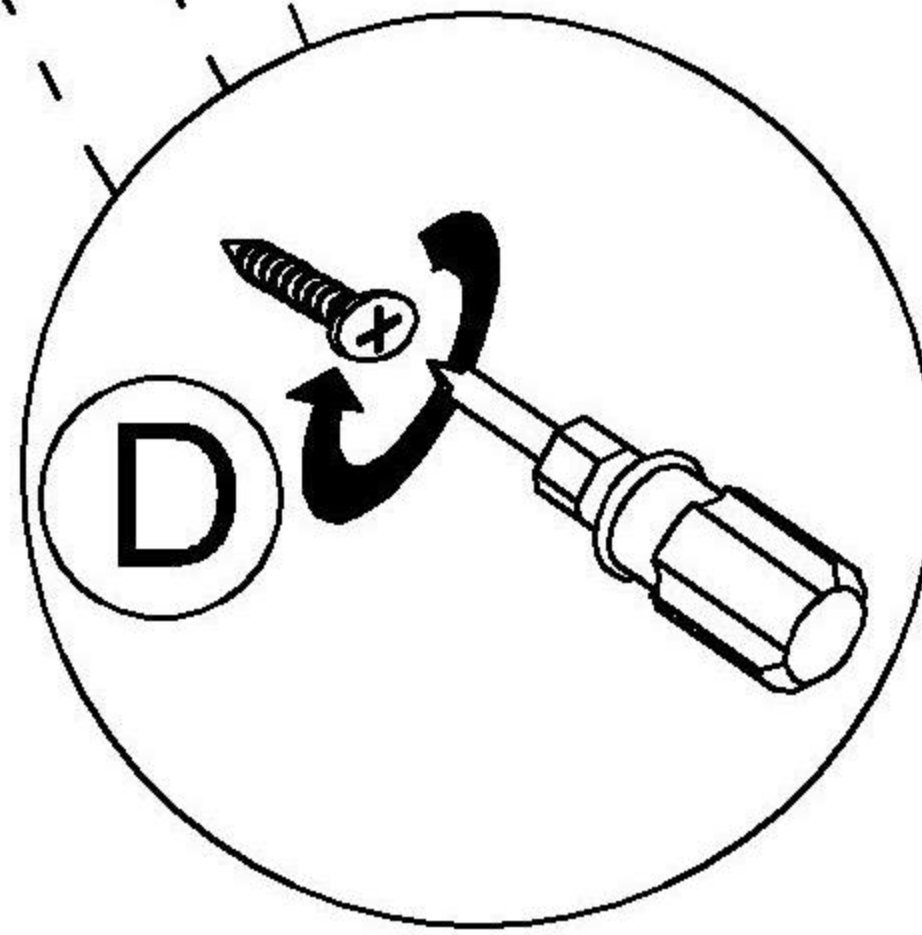
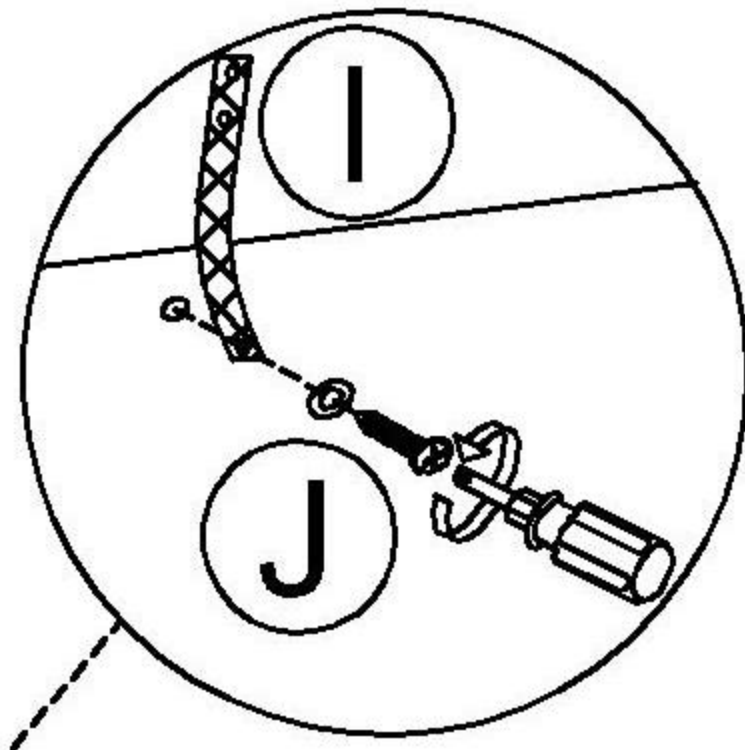
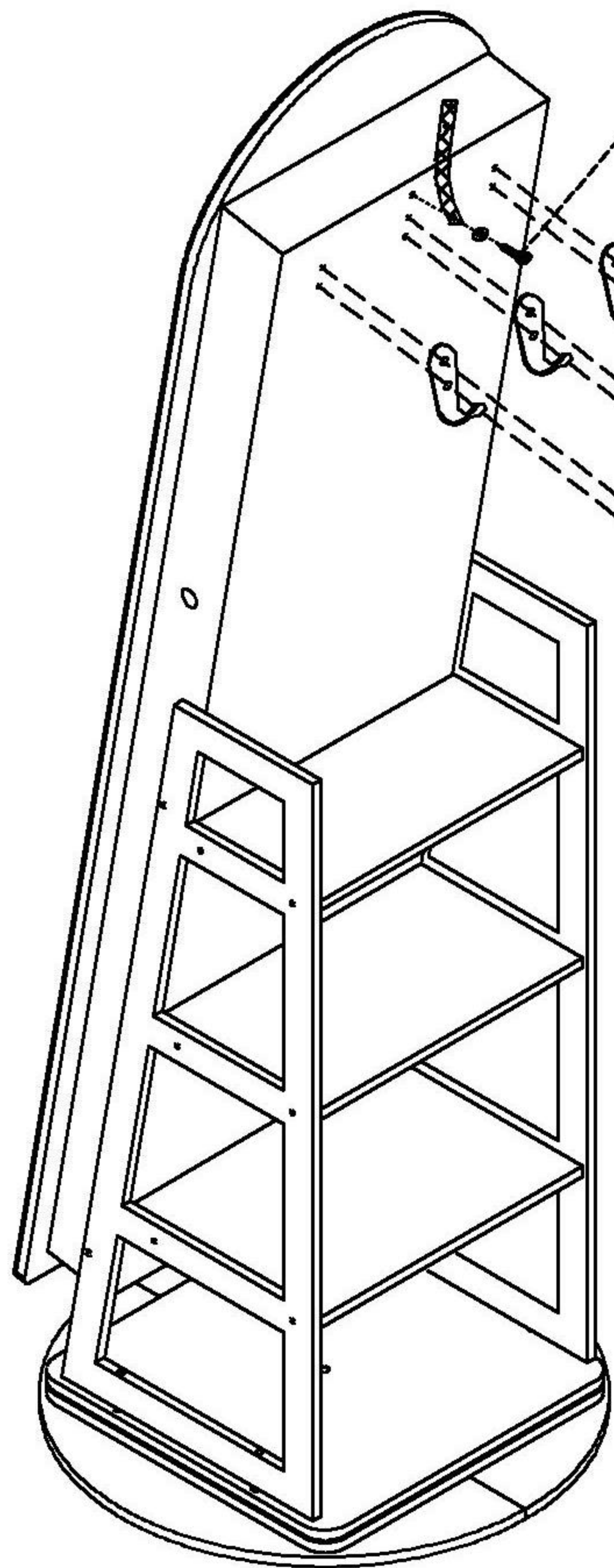
M  **x 14**



Battery installation
(Tip: use 3 AAA Batteries)

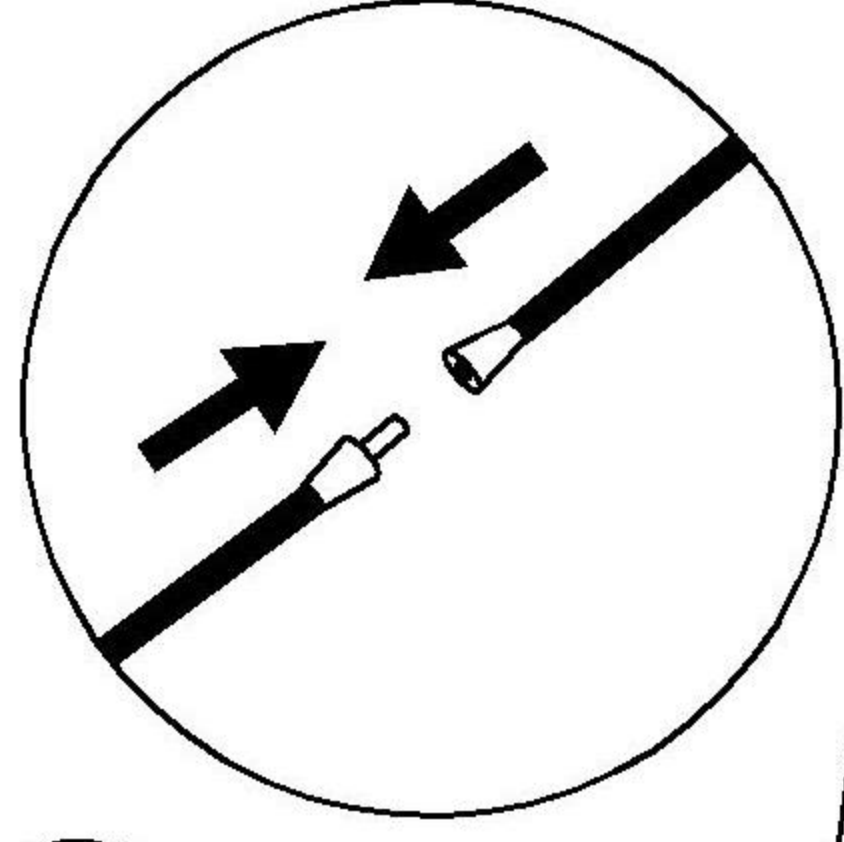
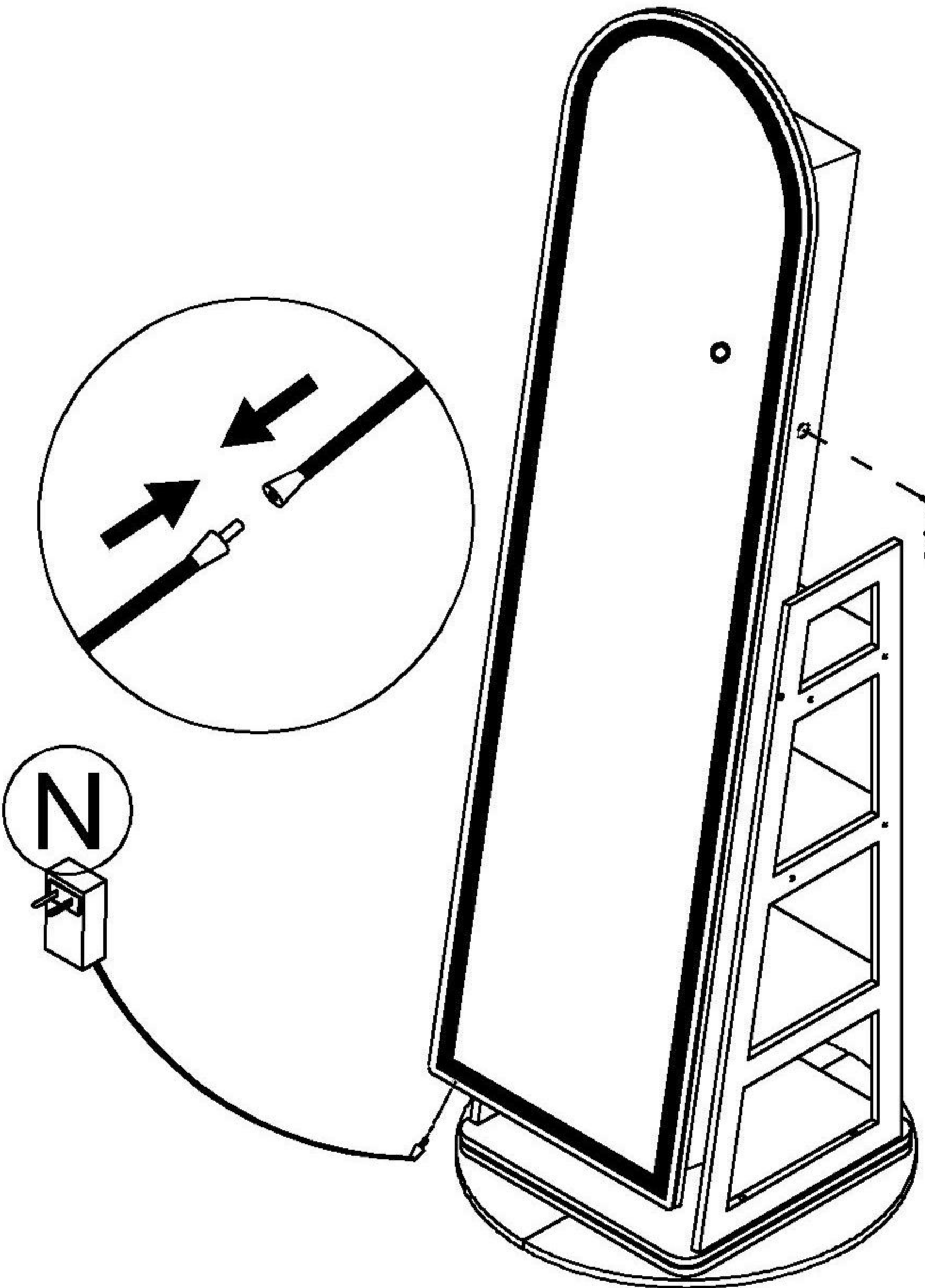


Step 7

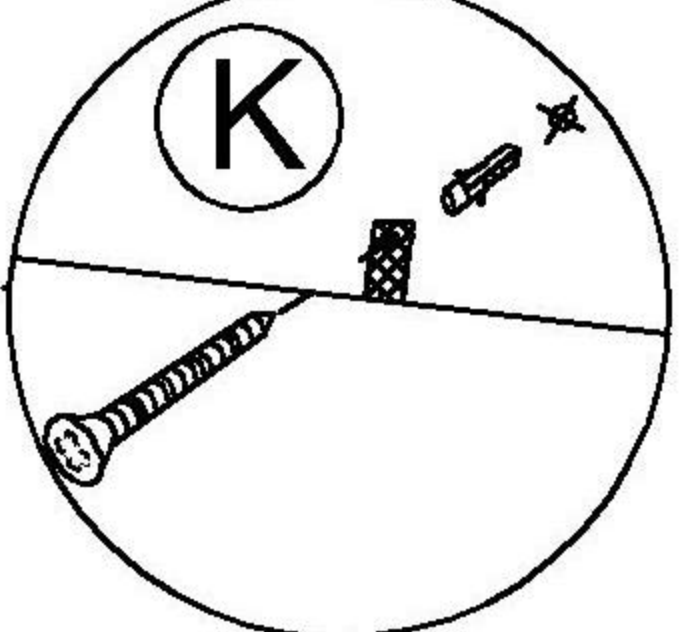
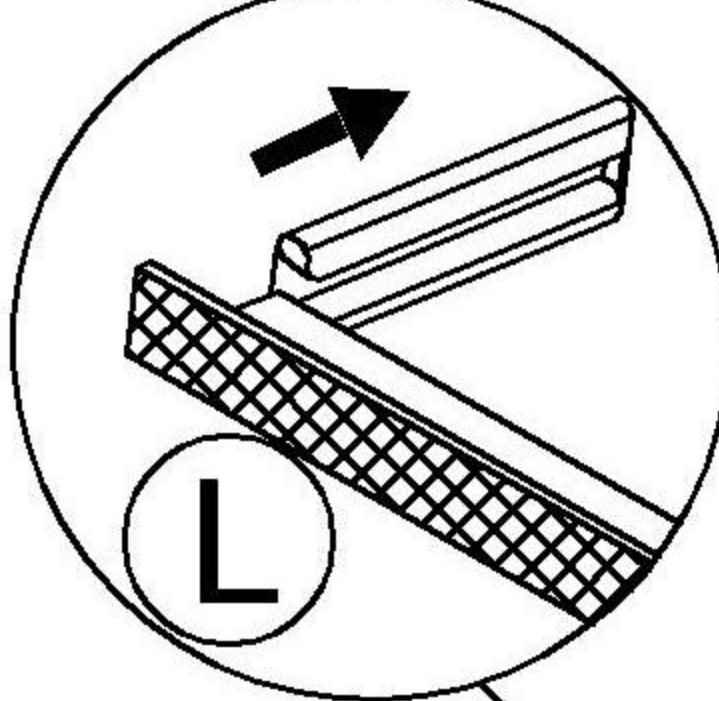


(E)		x 3
(D)		x 6
(J)		x 1
(I)		x 1

Step 8



Acrylic layer can be adjusted according to individual needs



(L)		x 3	(B)		x 1
(N)		x 1	(K)		x 1