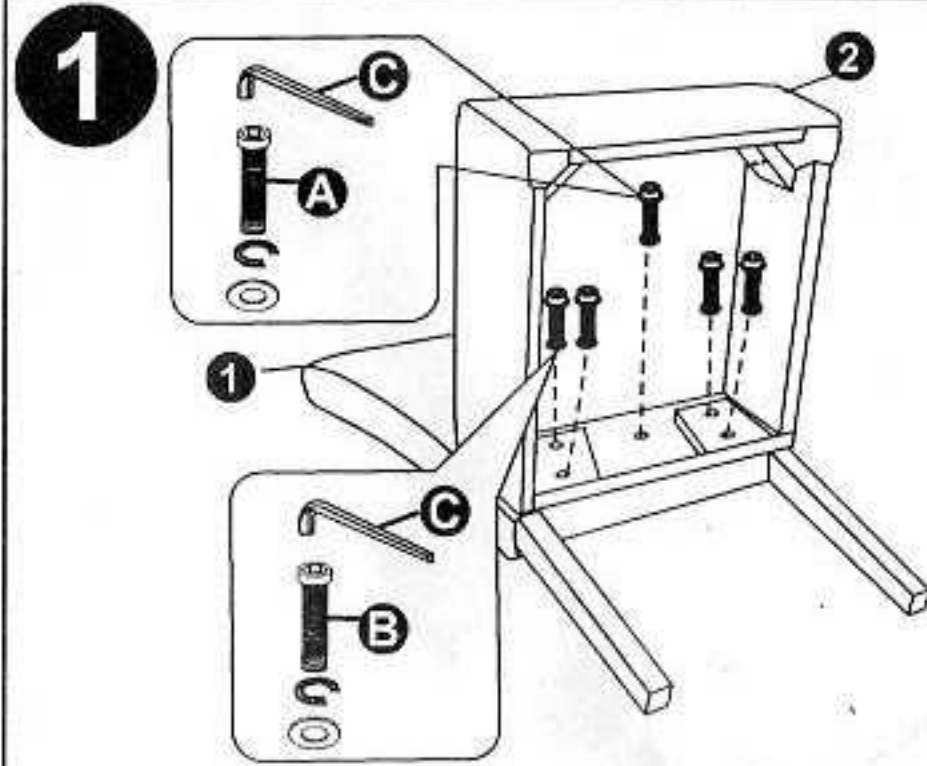
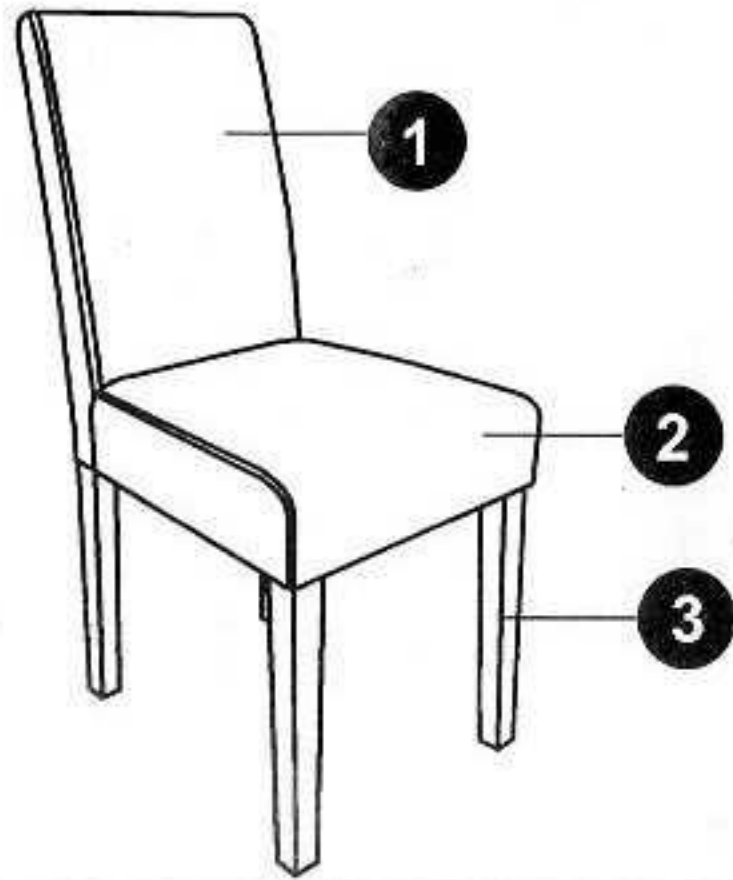
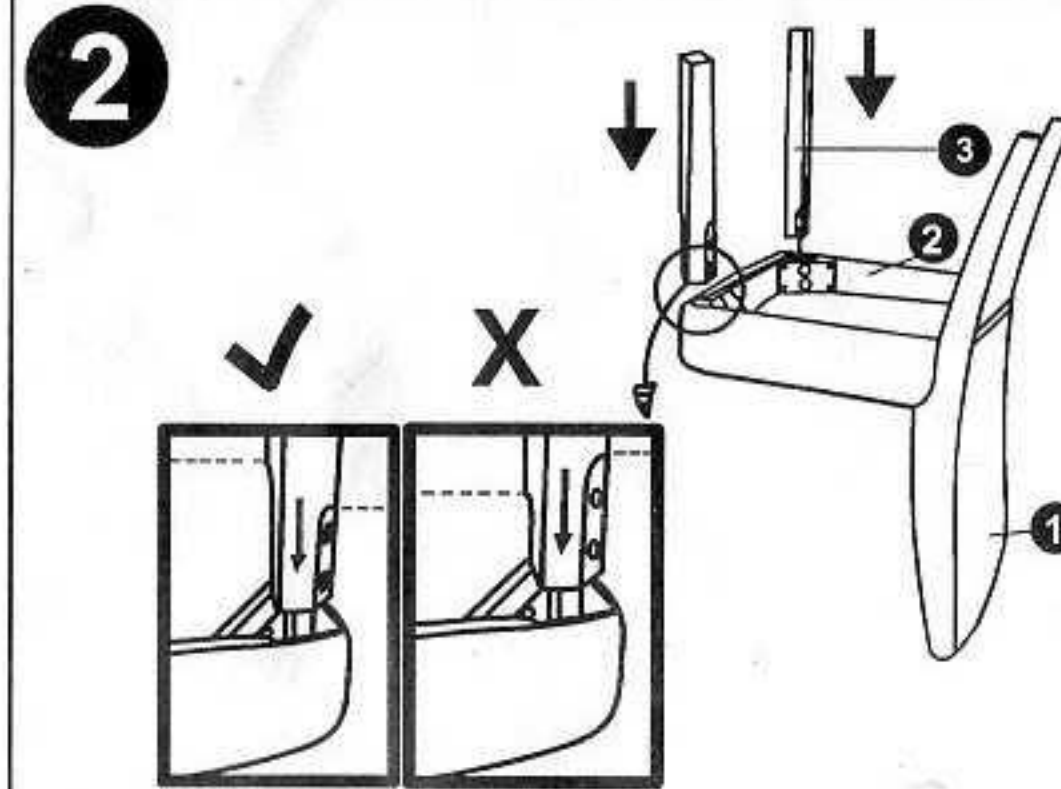


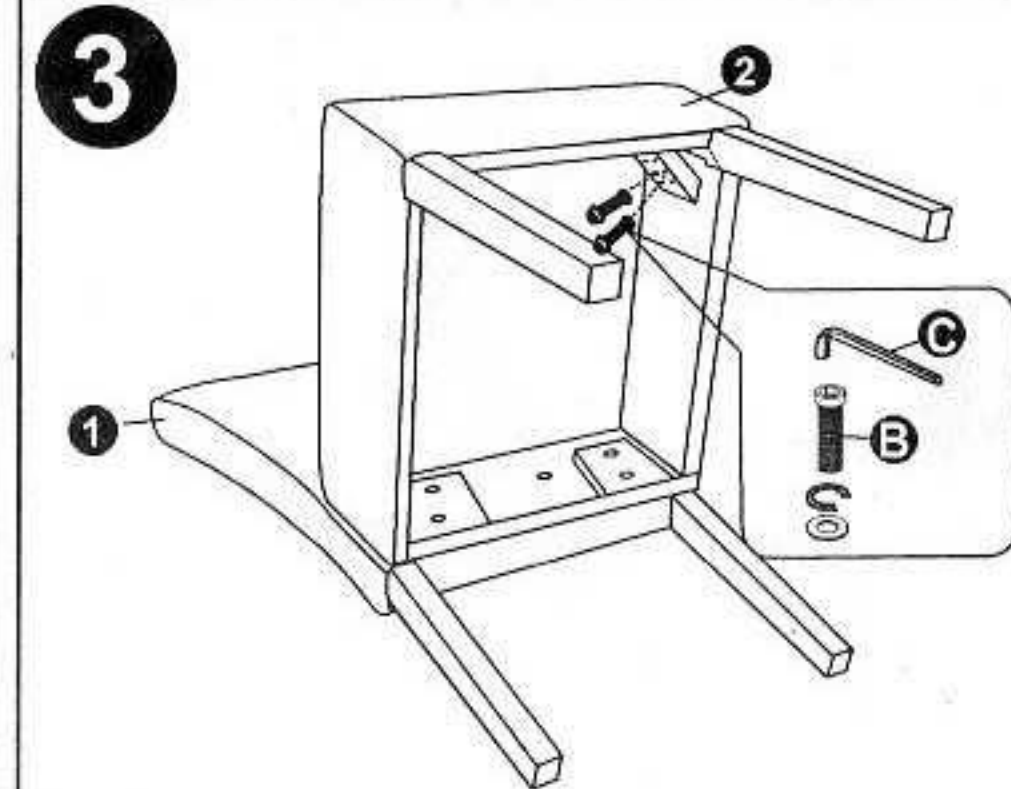
ASSEMBLY INSTRUCTION



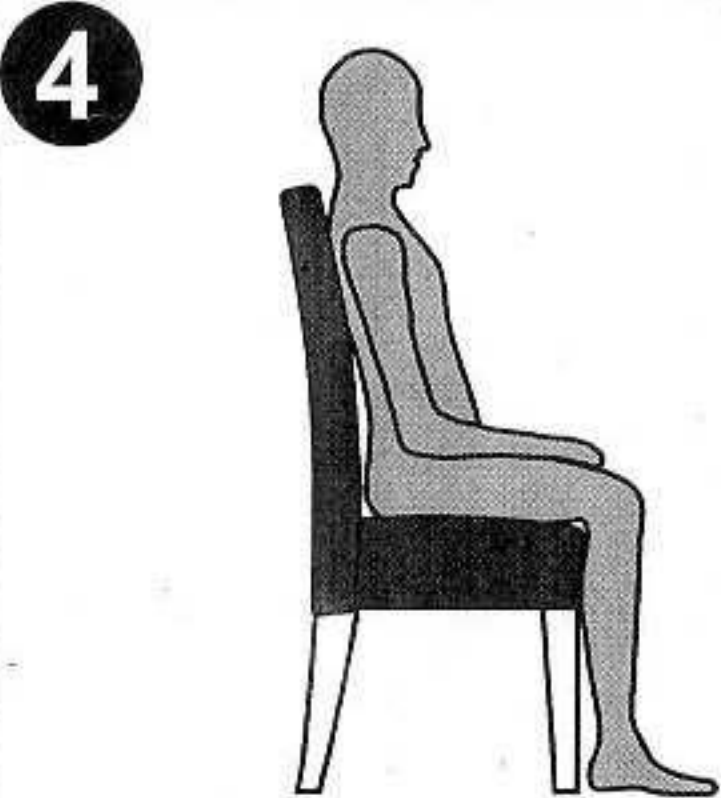
Put the screws in the holes, tight the screws, but not too tight, 90% is ok.



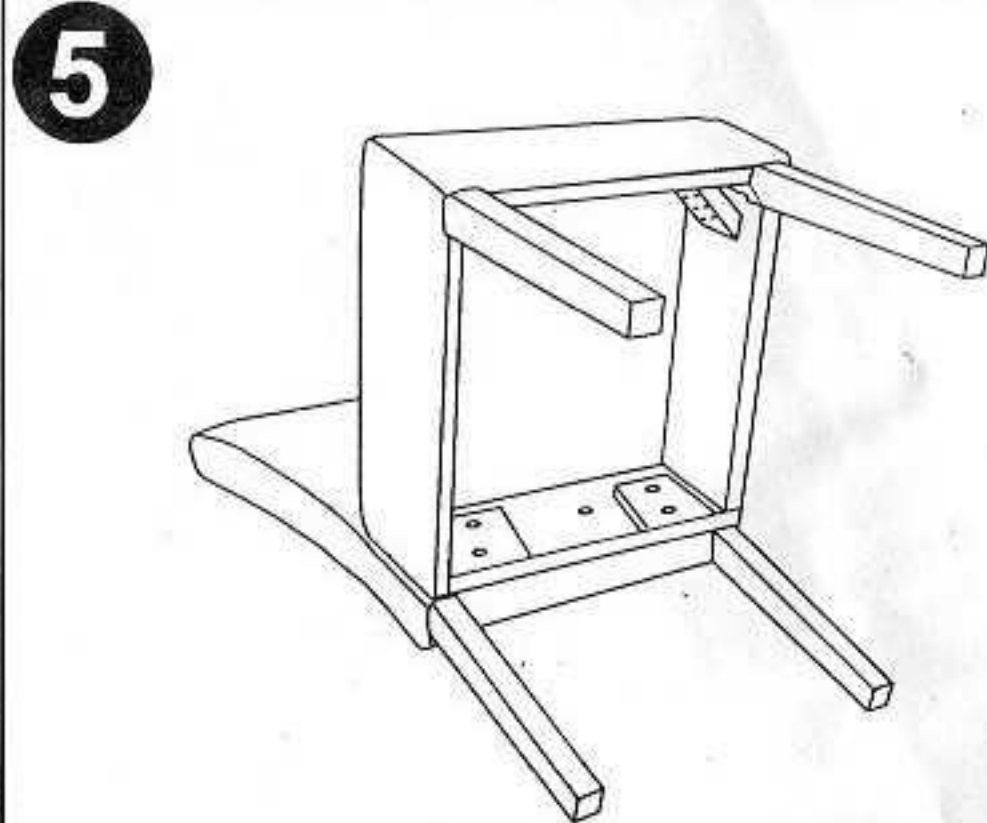
Important please make sure the cam studs face out as shown



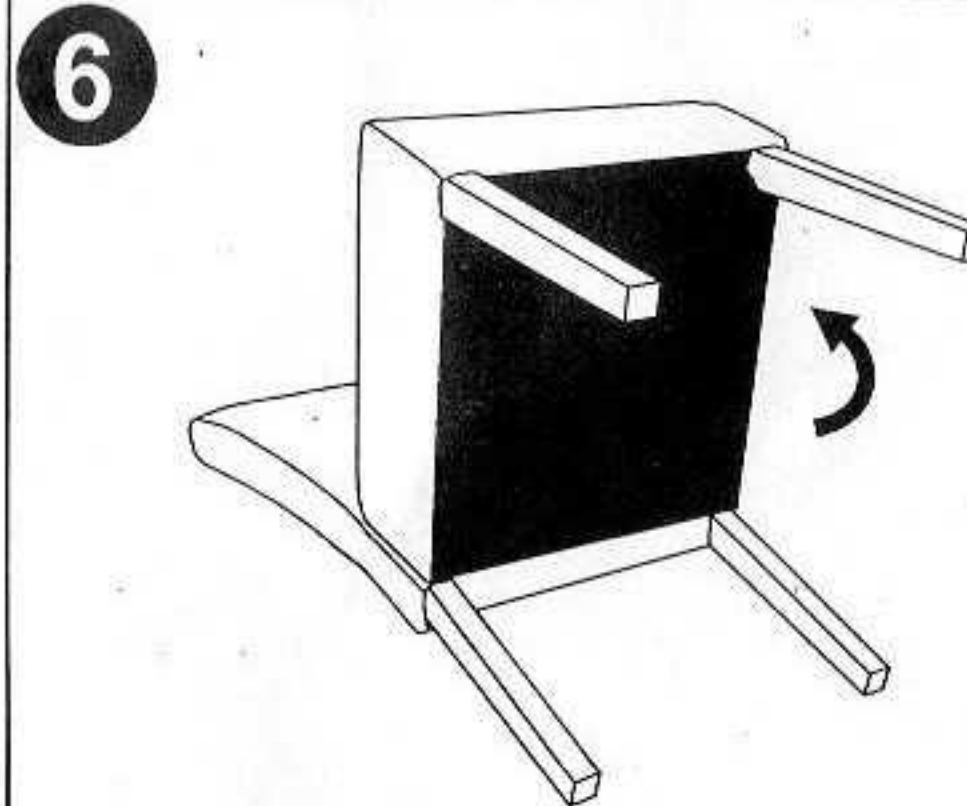
Put the screws in the holes, tight the screws, but not too tight, 90% is ok.



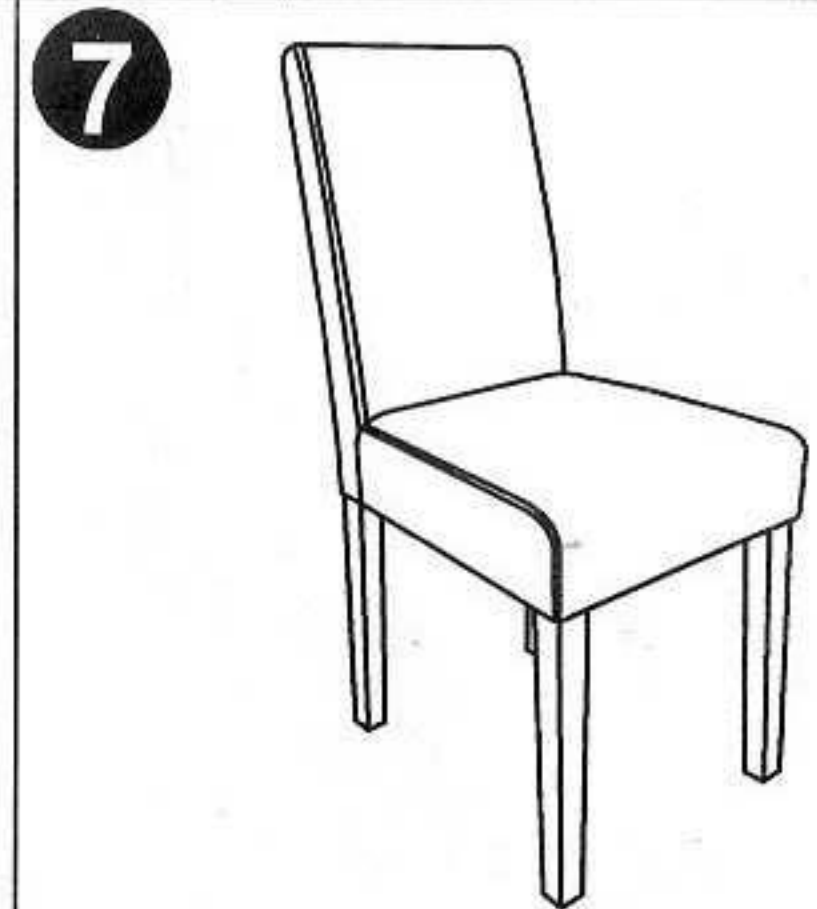
Then adjust the balance of the chair.






Tight all the screws to 100%



Stick the black part on the seat



| HARDWARE LIST | CODE | PARTS | QTY. |
|---------------|------|-----------|------|
| | 1 | BACK | 1 |
| | 2 | SEAT | 1 |
| | 3 | FRONT LEG | 2 |

| HARDWARE LIST | CODE | PARTS | QTY. |
|---------------|------|---|------|
| | A | M8x60MM  | 1 |
| | B | M8x80MM  | 8 |
| | C | ALLEN KEY  | 1 |