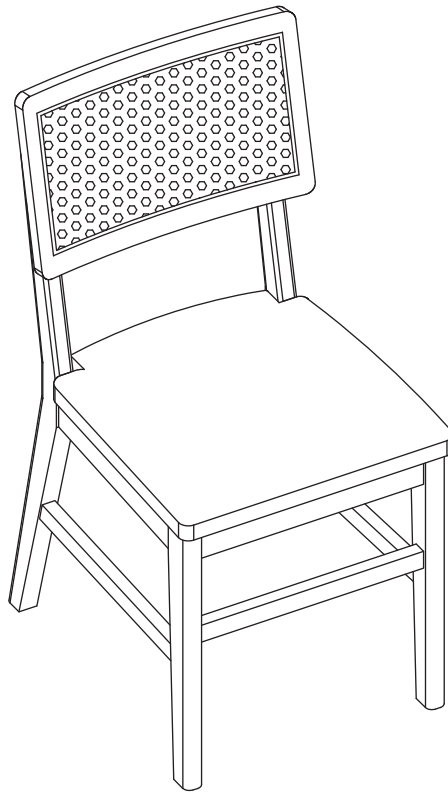


Instruction Manual

DINING CHAIR



CONTENTS

Safety and care advice	1
Components – parts	2
Components – fittings	3
Assembly instructions	4
Copyright	8



SAFETY AND CARE ADVICE



PLEASE READ THESE INSTRUCTIONS CAREFULLY AND KEEP FOR FUTURE REFERENCE

Warning: This unit weighs approximately 10.5kg. Please lift with care.

- Check you have all the components and tools listed on pages 2 and 3.
- Remove all fittings from the plastic bags and separate them into their groups.
- Keep children and animals away from the work area, small parts could choke if swallowed.
- Make sure you have enough space to layout the parts before starting.
- Do not stand or put weight on the product, this could cause damage.
- Assemble the item as close to its final position (in the same room) as possible.

·Assemble on a soft level surface to avoid damaging the unit or your floor (use opened out unit carton).



- We do not recommend the use of power drill/drivers **for inserting screws**, as this could damage the unit. Only use hand screwdrivers.
- Dispose of all packaging carefully and responsibly.

CARE AND MAINTENANCE

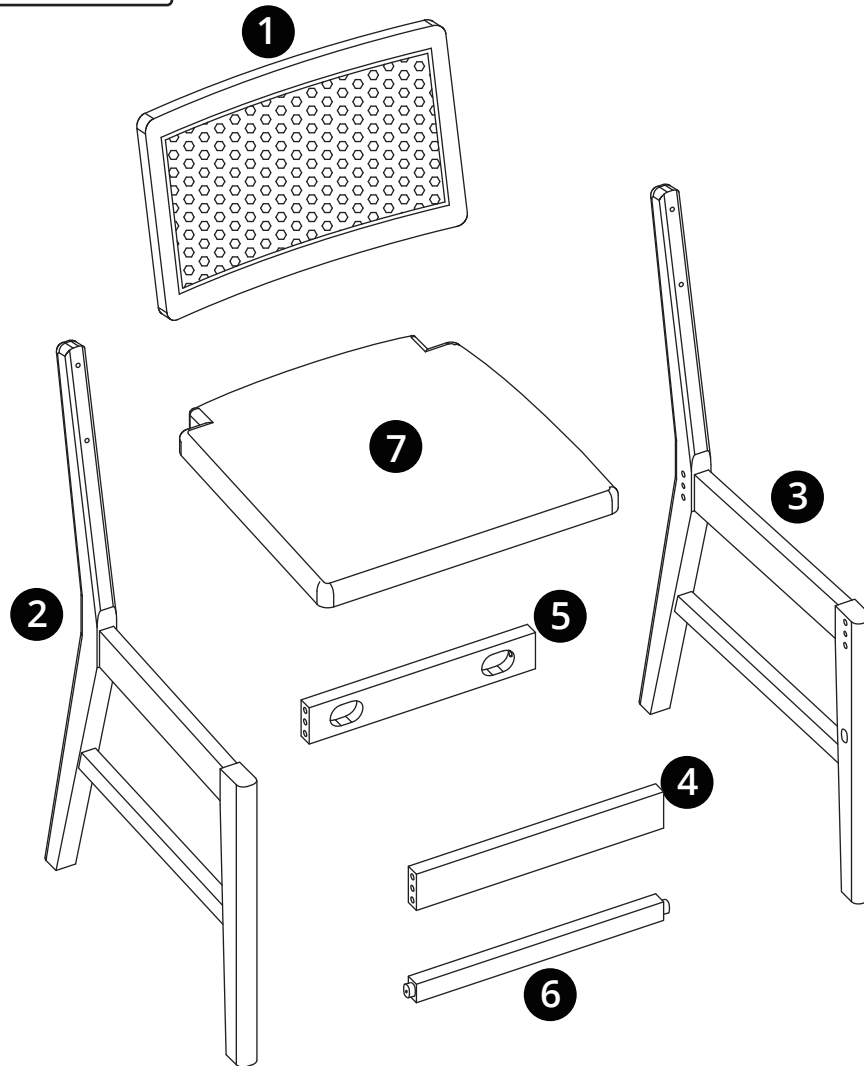
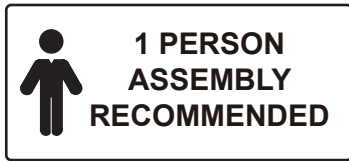
- Only clean using a damp cloth and mild detergent, do not use bleach or abrasive cleaners.
- From time to time check that there are no loose screws on this unit.

·This product should not be discarded with household waste. Take to your local authority waste disposal center.

Note: *If required the next page can be cut out and used as reference throughout the assembly. Keep this page with these instructions for future reference*

COMPONENTS — PARTS

Please check you have all the parts listed below:



PARTS LIST

1	Back	x1	6	Bottom Support Bar	x1
2	Left Side Frame	x1	7	Seat	x1
3	Right Side Frame	x1			
4	Front Support Bar	x1			
5	Back Support Bar	x1			



COMPONENTS — FITTINGS

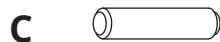
Please check you have all the fittings listed below:



Bolt (M6x80mm) x 4



Bolt (M6x40mm) x4



Wooden Dowel (Ø8x30mm) x 8



Nut x 4



Half Moon Washer x 4



Angle Iron x 4

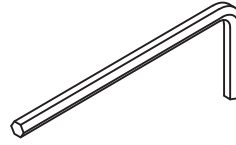


Screw (Ø4x40mm) x 2



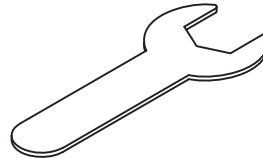
Screw (Ø3.5x12mm) x 8

I



Allen Key (M4) x 1

J



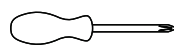
Wrench x 1

K



Foot pad x 4

TOOLS NEEDED
(We don't provide)

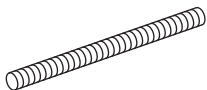


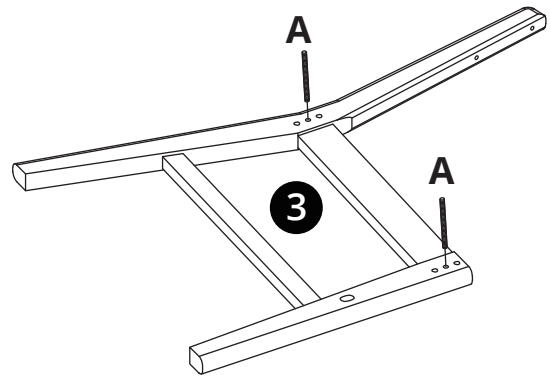
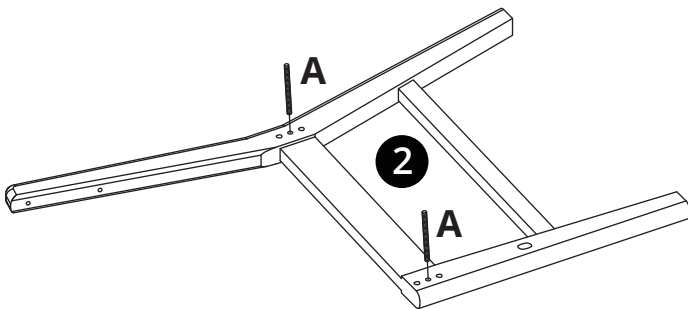
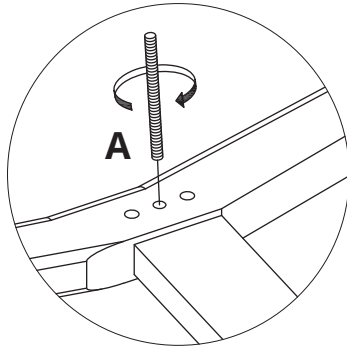
Phillips Screwdriver x 1



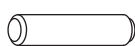
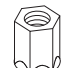
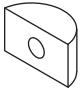

ASSEMBLY INSTRUCTIONS

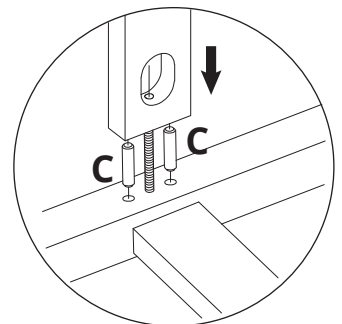
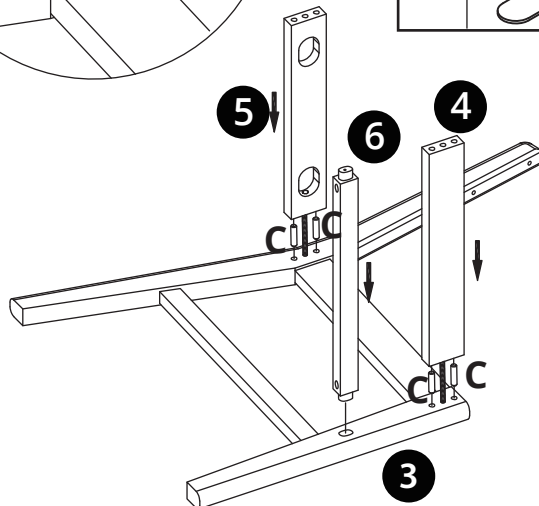
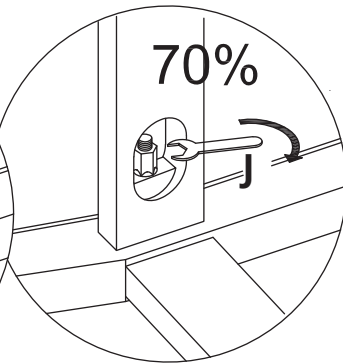
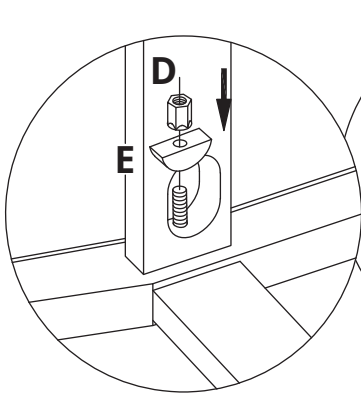
Step 1

A		4
---	---	---



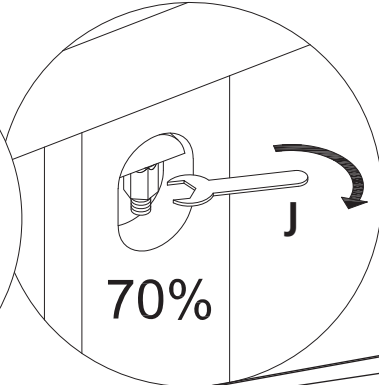
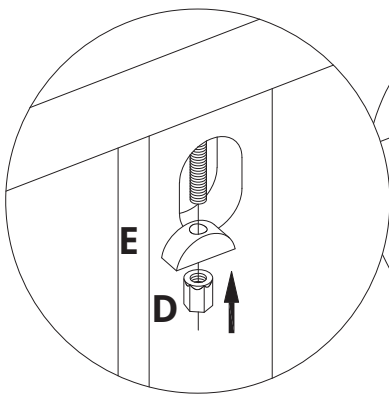
Step 2

C		4
D		2
E		2
J		1

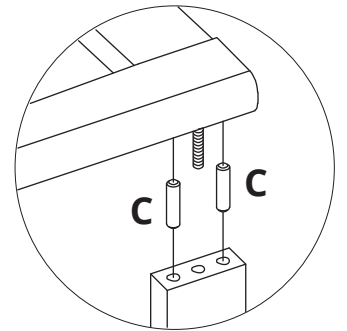
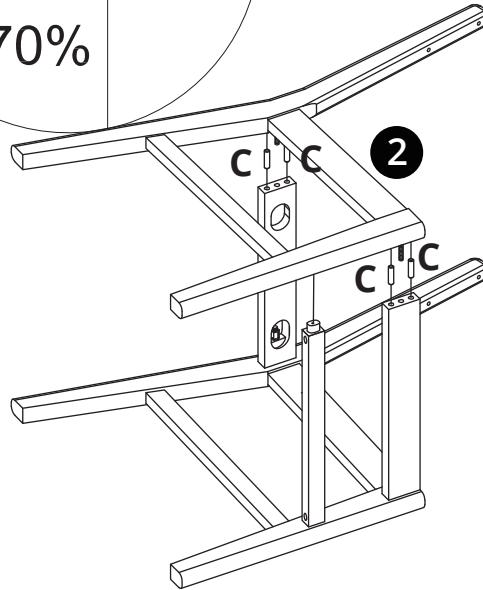


ASSEMBLY INSTRUCTIONS

Step 3

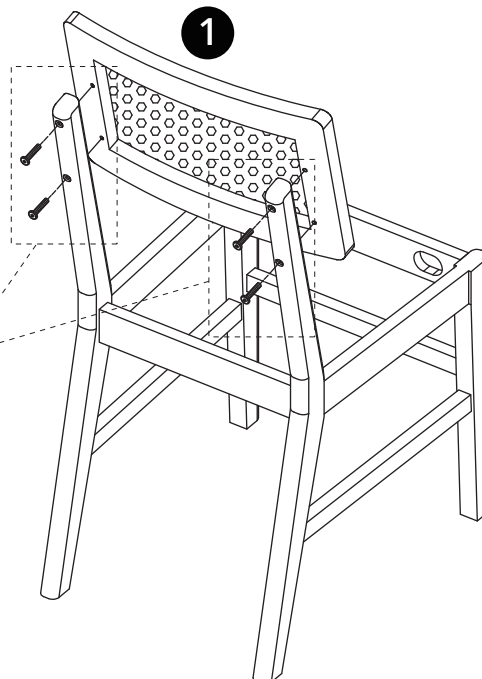
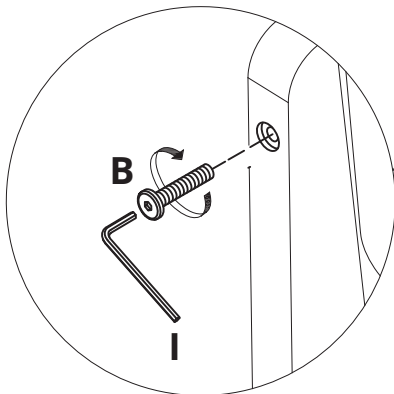


C		4	
D		2	
E		2	



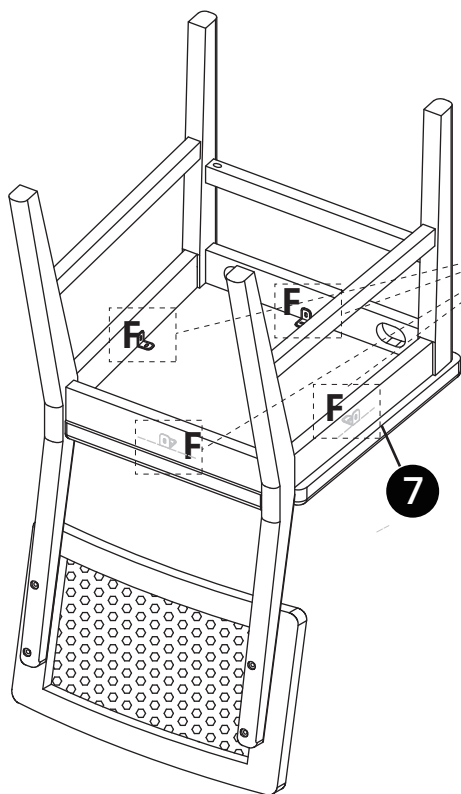
Step 4




B		4
I		1

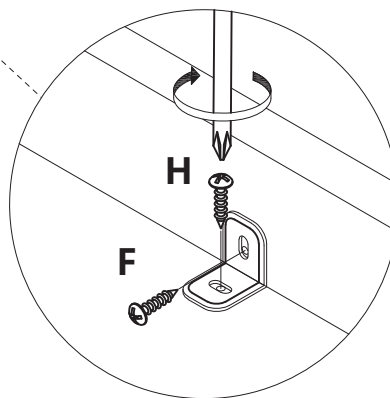


ASSEMBLY INSTRUCTIONS

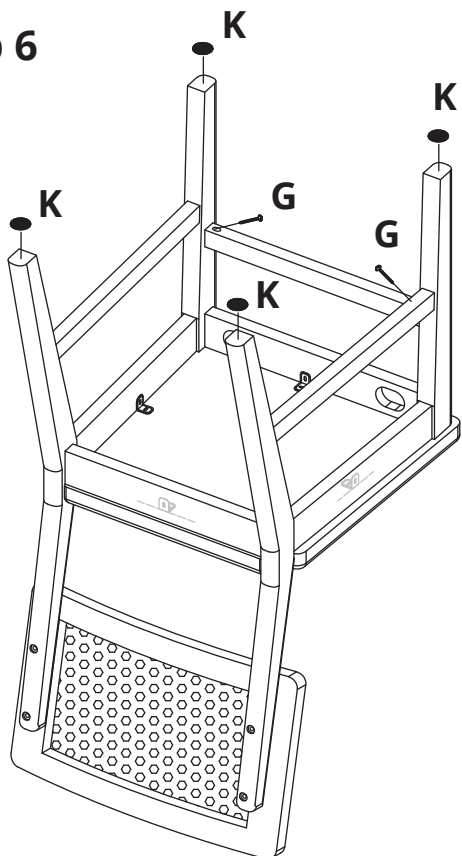
Step 5


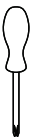



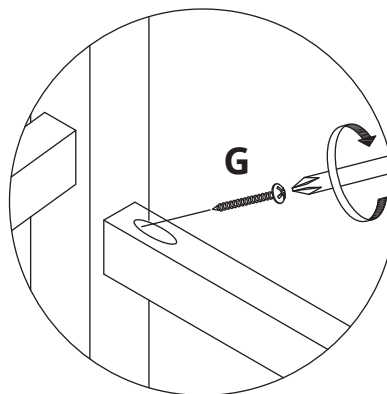
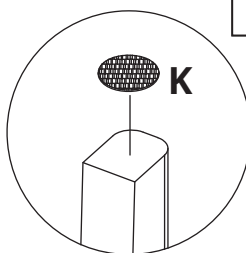
F		4	
H		8	



Step 6

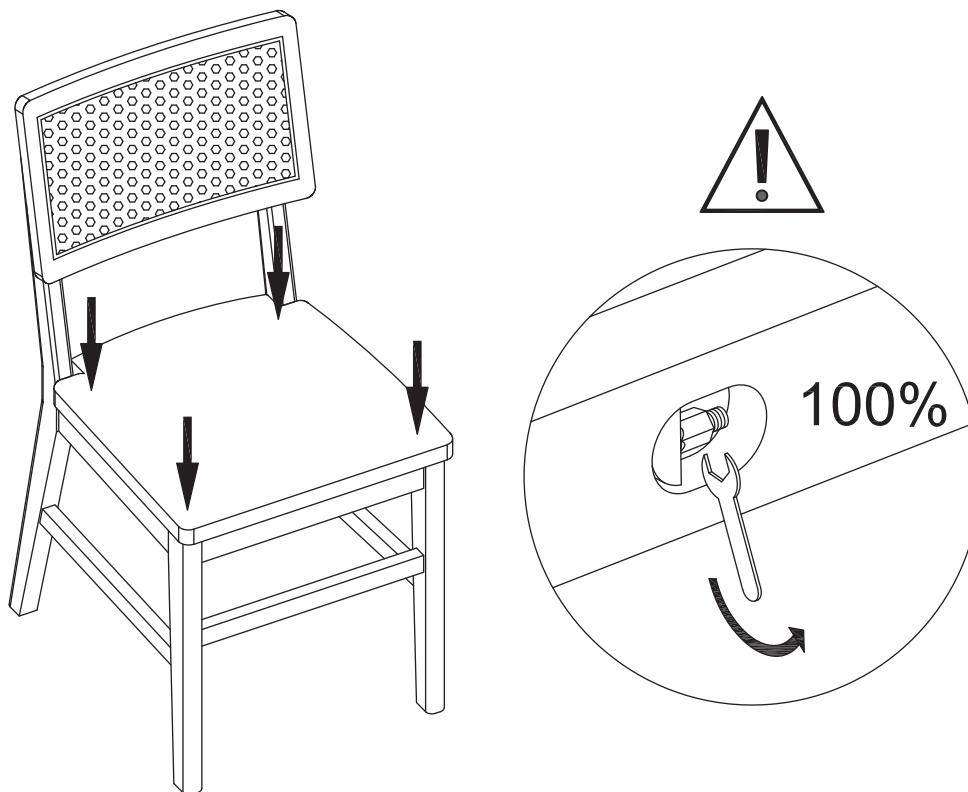


G		2	
K		4	

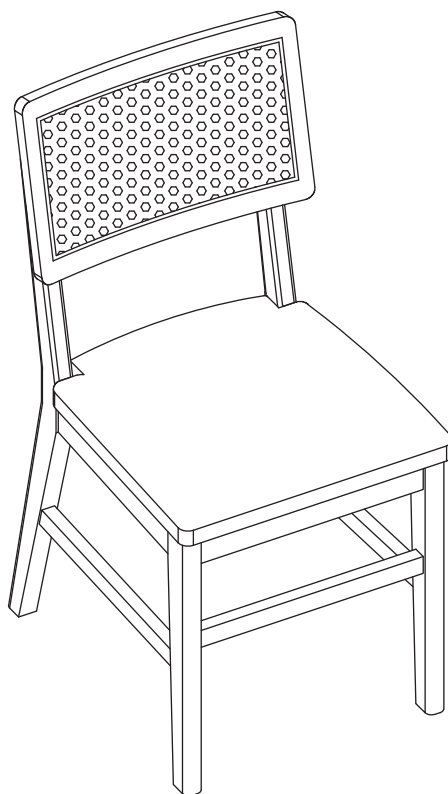


ASSEMBLY INSTRUCTIONS

Step 7



Step 8



Congratulations! Now you have finished assembling the product.
