

Multi-Functional Massage Sofa

MODELS:FDYWA005GY/FDYWA005BE/FDYWA005BN

Important: BEFORE FIRST USE, READ ALL INSTRUCTIONS CAREFULLY. Failure to follow these warnings may result in electric shock, fire, or serious injury.

DANGER – Immediate Hazards

- • **Electrical Shock Hazard:** Do not disassemble this unit. No user-serviceable parts inside. Refer servicing to qualified personnel.
- • **Water Hazard:** NEVER use near water or in damp environments (e.g., bathrooms, pools). Do not operate if any part is wet or with wet hands.
- • Plug the power cord directly into a wall outlet. Do not use an extension cord.
- • Keep all electrical components away from liquids.

WARNING – Risk of Injury

- • **Medical Consultation:** Consult your physician before use if you are pregnant, have a pacemaker, osteoporosis, thrombosis, heart disease, cancer, spinal issues, or other serious health conditions.
- • **Discontinue Use:** Stop immediately and consult a doctor if you experience pain, dizziness, or discomfort.
- • **Pinch Points:** Keep hands, fingers, and body parts clear of moving mechanisms (recliner, footrest). Keep long hair, loose clothing, and jewelry away from moving parts.
- • **Proper Use:** Always sit down and rise with care. Never stand on the footrest, armrests, or any part of the frame. Never use while sleeping, drowsy, or under the influence of alcohol/medication.
- • Always sit down slowly and deliberately. Do not plop down or throw yourself into the chair.
- • Recline and return to the upright position slowly and with caution.
- • Keep children and pets clear of the moving mechanism at all times. Never allow children to play on or near the chair.
- • Do not insert fingers or any objects into the gaps or moving parts of the sofa.
- • Use extra care when getting in or out of the chair.

CAUTION – Product Care & Handling

- • **Overheating:** Do not block ventilation openings. Never operate while covered by blankets or pillows. Unplug the device immediately if you smell smoke or notice it overheating.
- • **Power Cord:** Plug directly into a wall outlet. To unplug, grasp the plug firmly; never pull the cord. Keep the cord from being pinched or damaged.
- • **Authorized Adapter:** Use only the manufacturer-specified power adapter. Use of an incorrect adapter is hazardous and will void the warranty.
- • **Environment:** Place the sofa at least 19 inches (48 cm) from walls for reclining. Keep away from direct sunlight and heat sources.
- • Do not place heavy objects on the seat or backrest when not in use.
- • If you smell smoke or notice overheating, unplug the unit immediately and contact customer service.
- • The power adapter is the disconnect device. Keep the outlet easily accessible during use.
- • Protect the power cord from being walked on or pinched, particularly at plugs and the point where it exits the unit.
- • Unplug the unit during prolonged periods of non-use.

Environmental and Water Safety

- • NEVER use this product in a wet or damp environment, such as a bathroom or near a swimming pool.
- • NEVER use the product if it has been exposed to moisture or if any part of it becomes wet.
- • Keep the product away from open flames, heat sources, and sharp objects.
- • Ensure the chair is placed at least 19 inches (48 cm) away from walls or other obstructions to recline fully.

Compliance Statement

This device complies with Part 15 of the FCC Rules. Operation is subject to the following two conditions: (1) this device may not cause harmful interference, and (2) this device must accept any interference received, including interference that may cause undesired operation.

Note: This equipment has been tested and found to comply with the limits for a Class B digital device, pursuant to Part 15 of the FCC Rules. These limits are designed to provide reasonable protection against harmful interference in a residential installation.

Packing List

04

Please confirm you have the following components before assembly:

Back Cushion (A) × 1



Seat (B) × 1



Back Frame (C) × 1



Left Side Panel (D) × 1



Right Side Panel (E) × 1



Power Cord (F) × 1



Left Arm Frame (G) × 1



Right Arm Frame (H) × 1



Remote Control (J) × 1

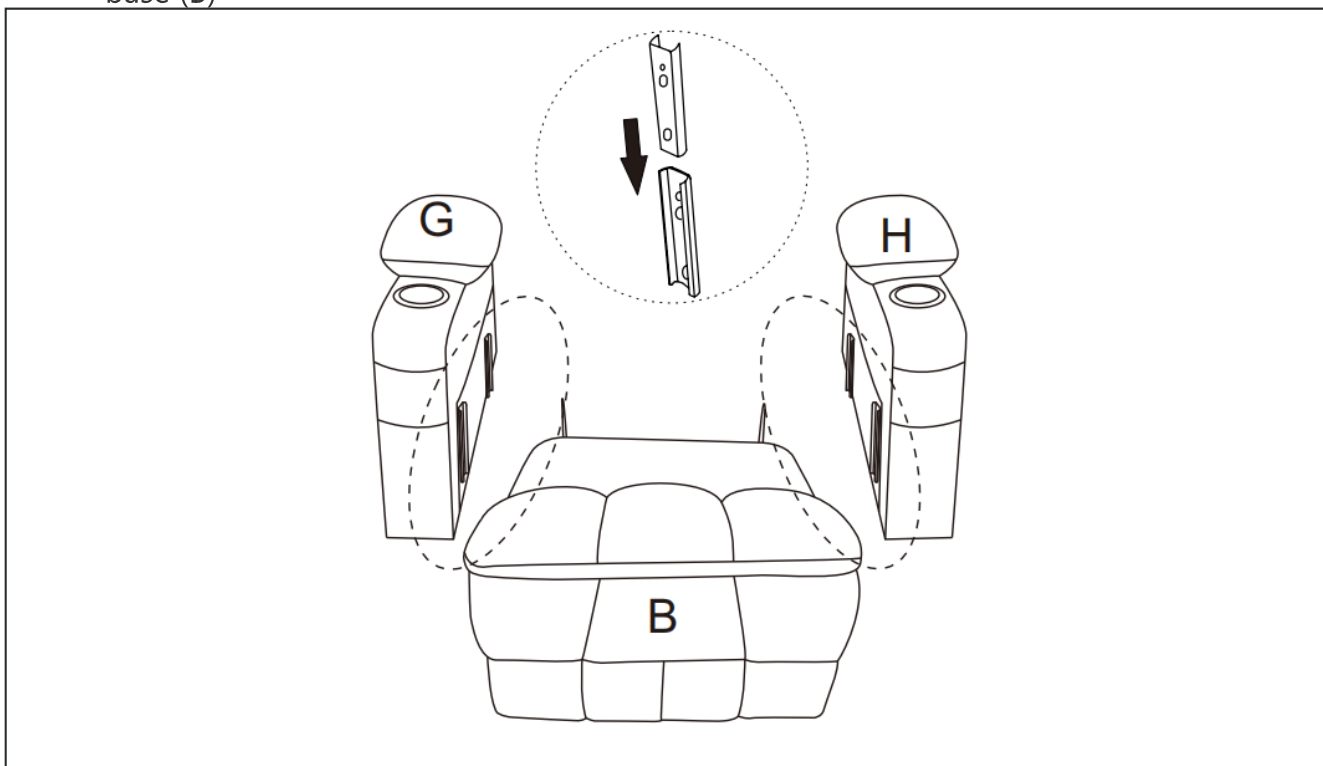


Motor Power Supply (K) × 1



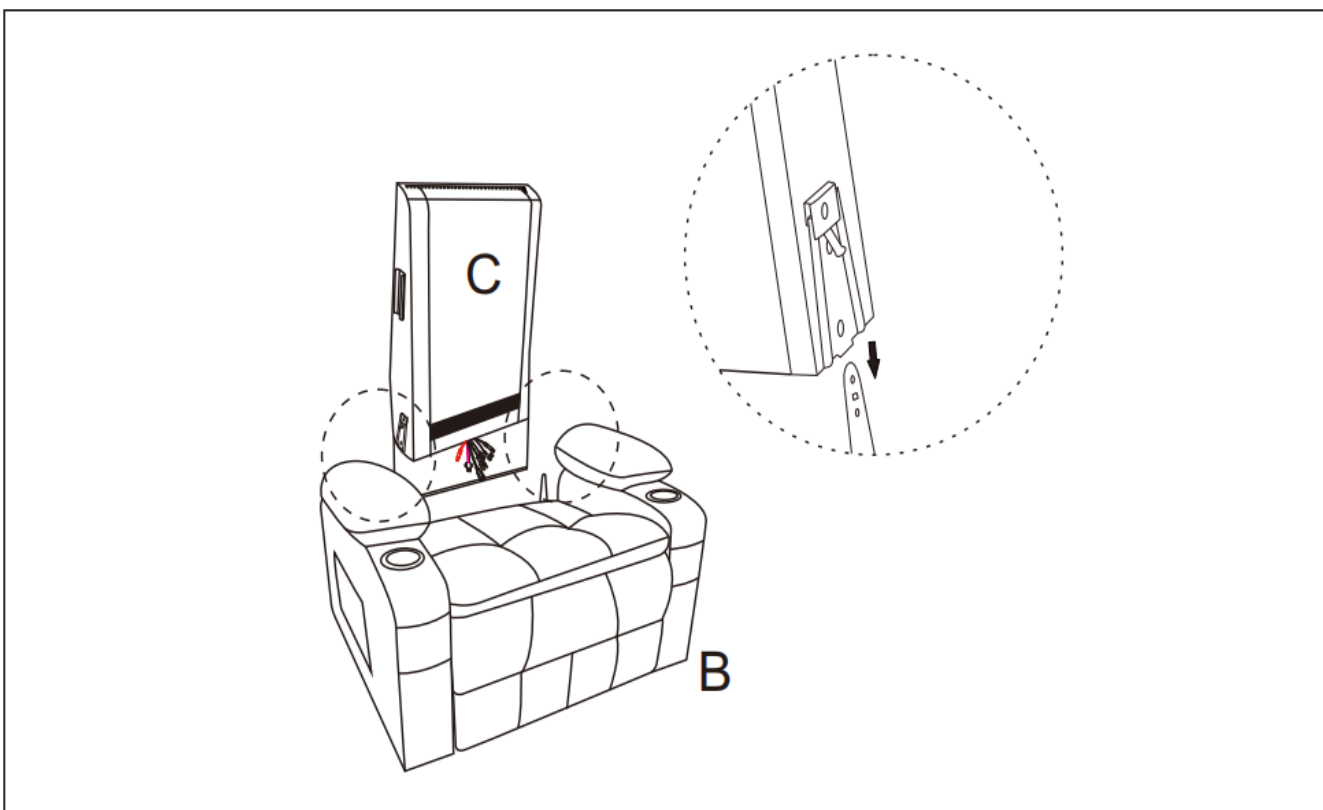
1 Step 1

Attach the left and right arm frames (G, H) to the corresponding sides of the seat base (B)

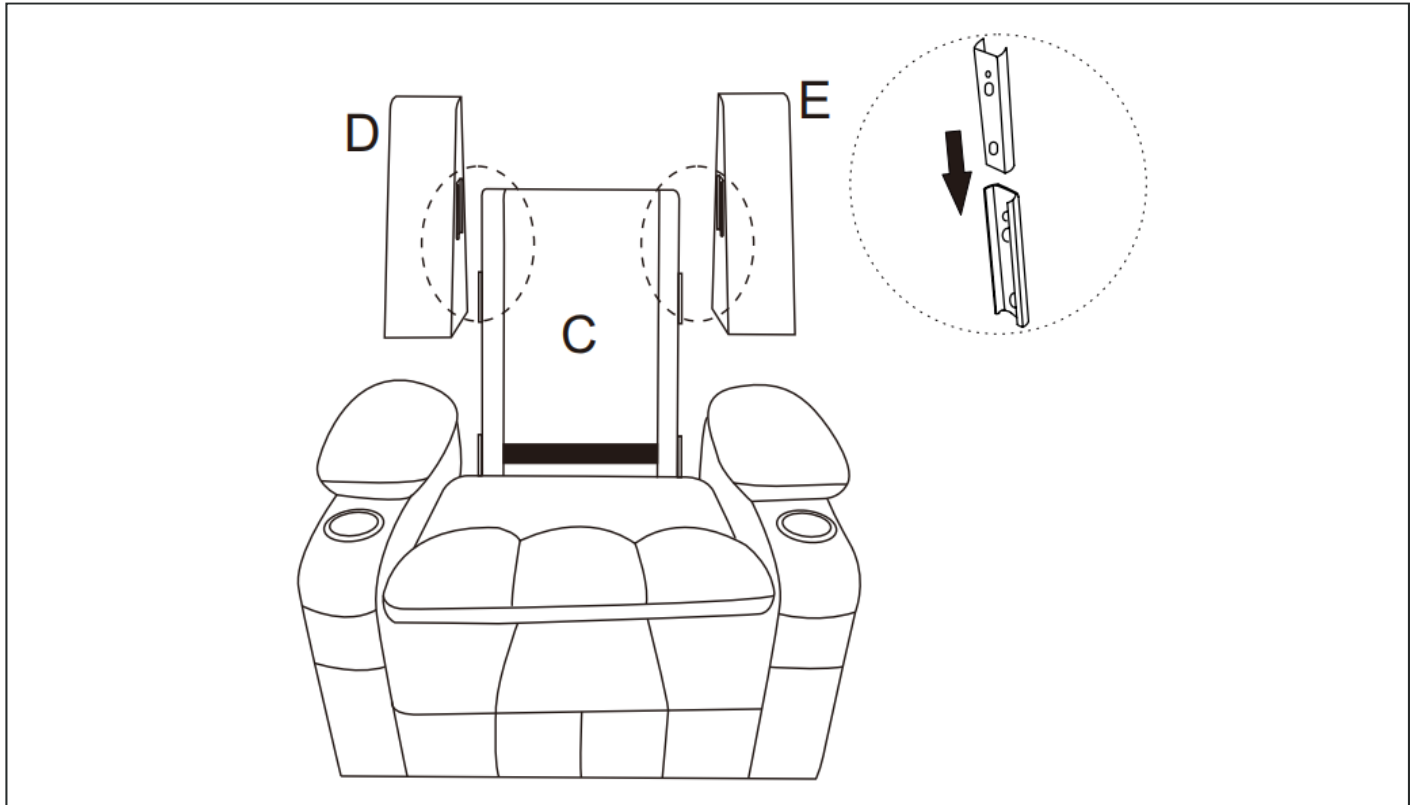


2 Step 2

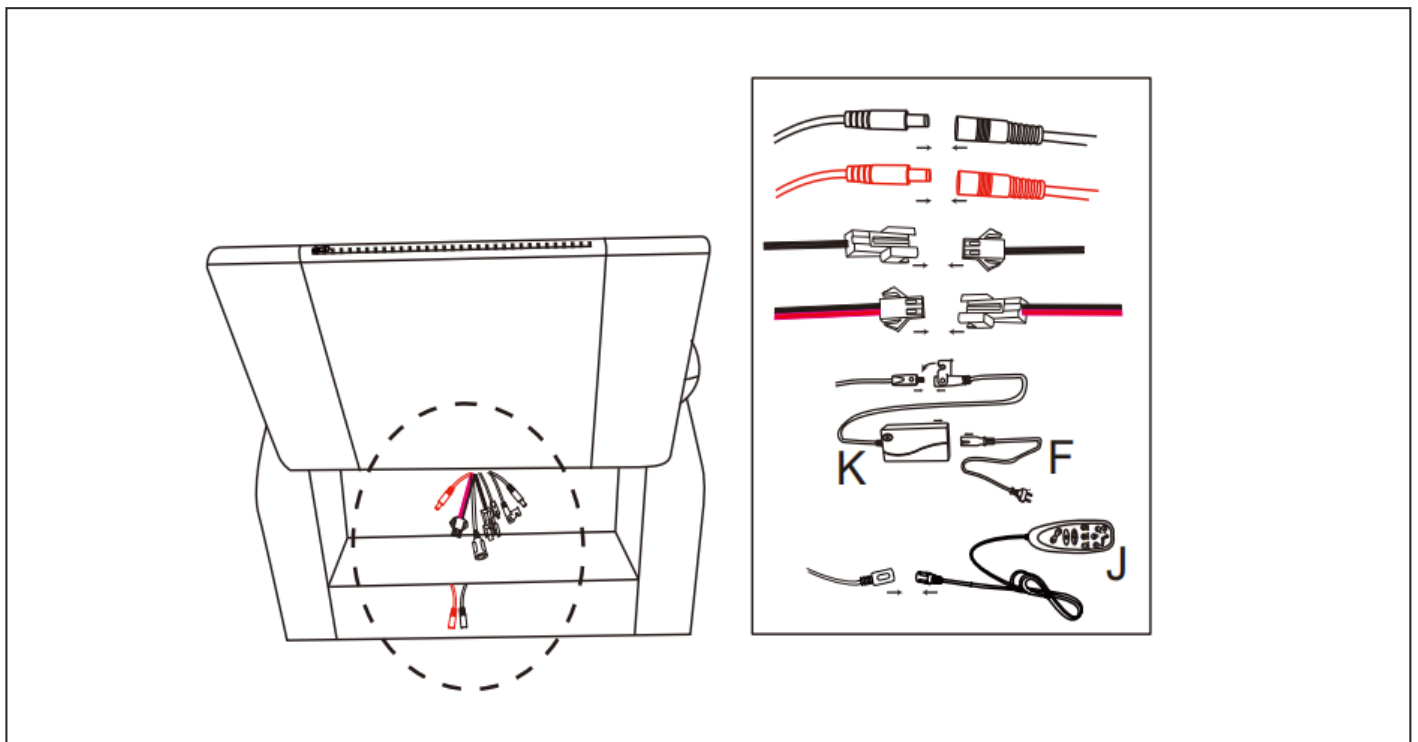
Insert the back frame (C) into the seat base (B).



- 3** **Step 3**
Attach the left and right side panels (D, E) to the corresponding sides of the back frame (C).

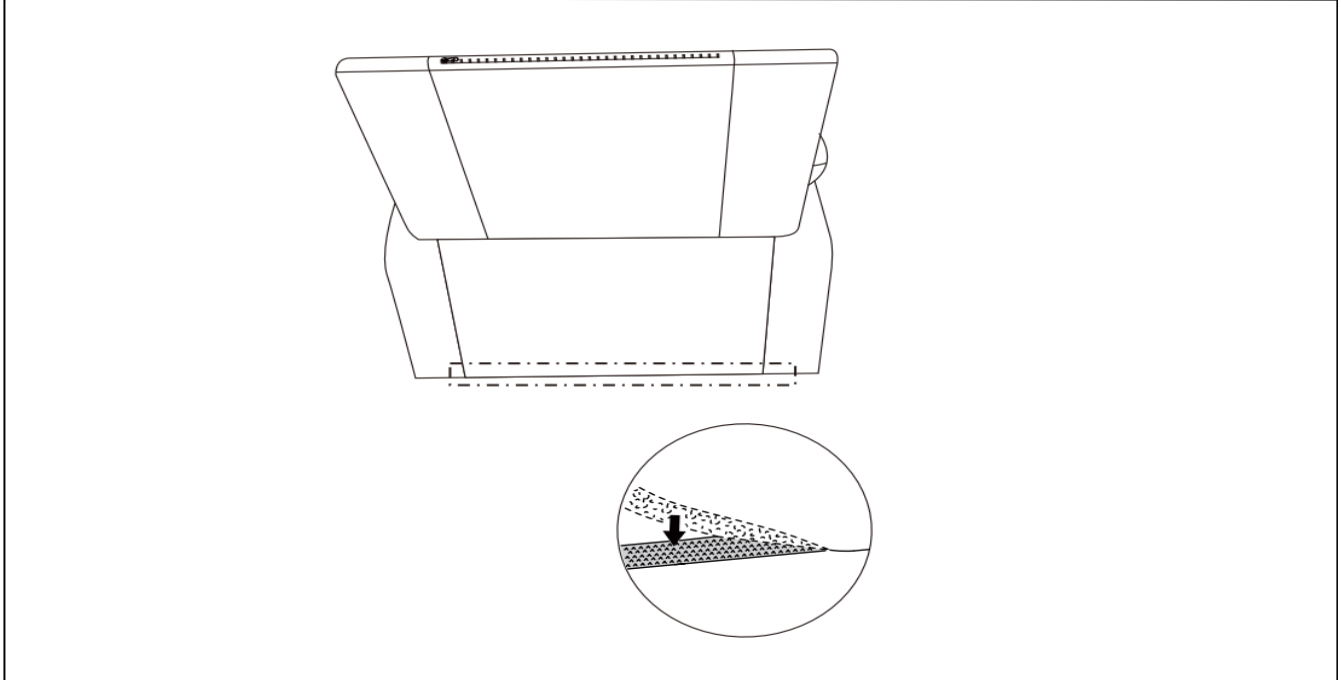


- 4** **Step 4**
Connect the power cord and control wiring as shown in the illustration.



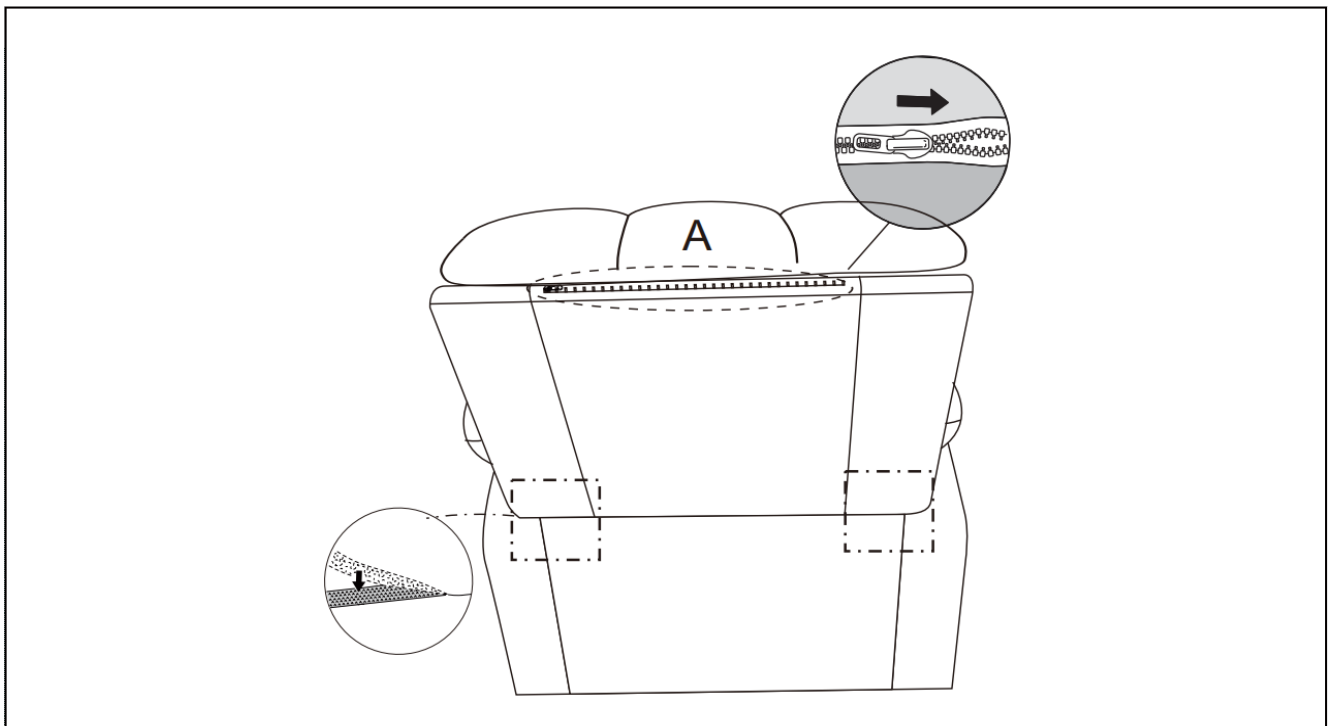
5 Step 5

Organize the cables at the rear of the chair and secure the back cover by fastening the Velcro strap located at the bottom.



6 Step 6

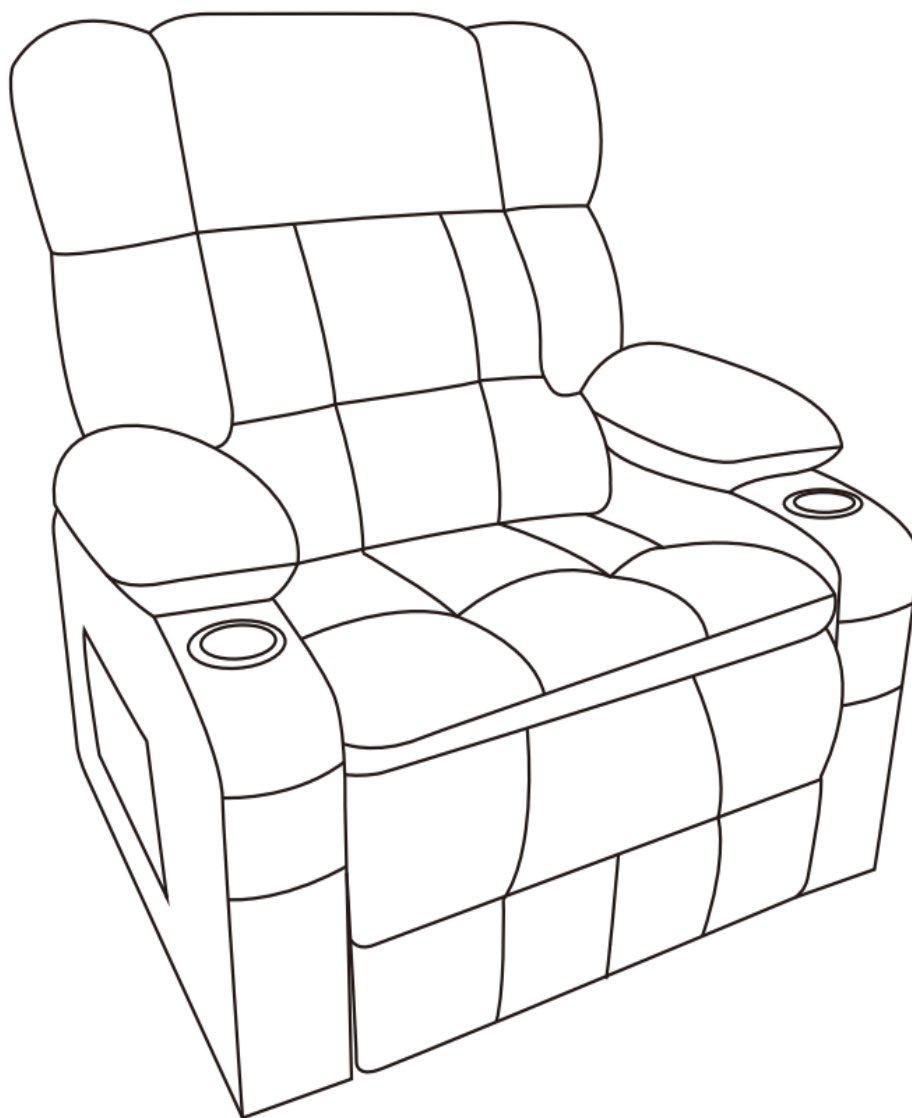
Place the back cushion (A) over the back frame (C). Secure it using the provided zipper and ensure any Velcro fasteners are properly engaged.



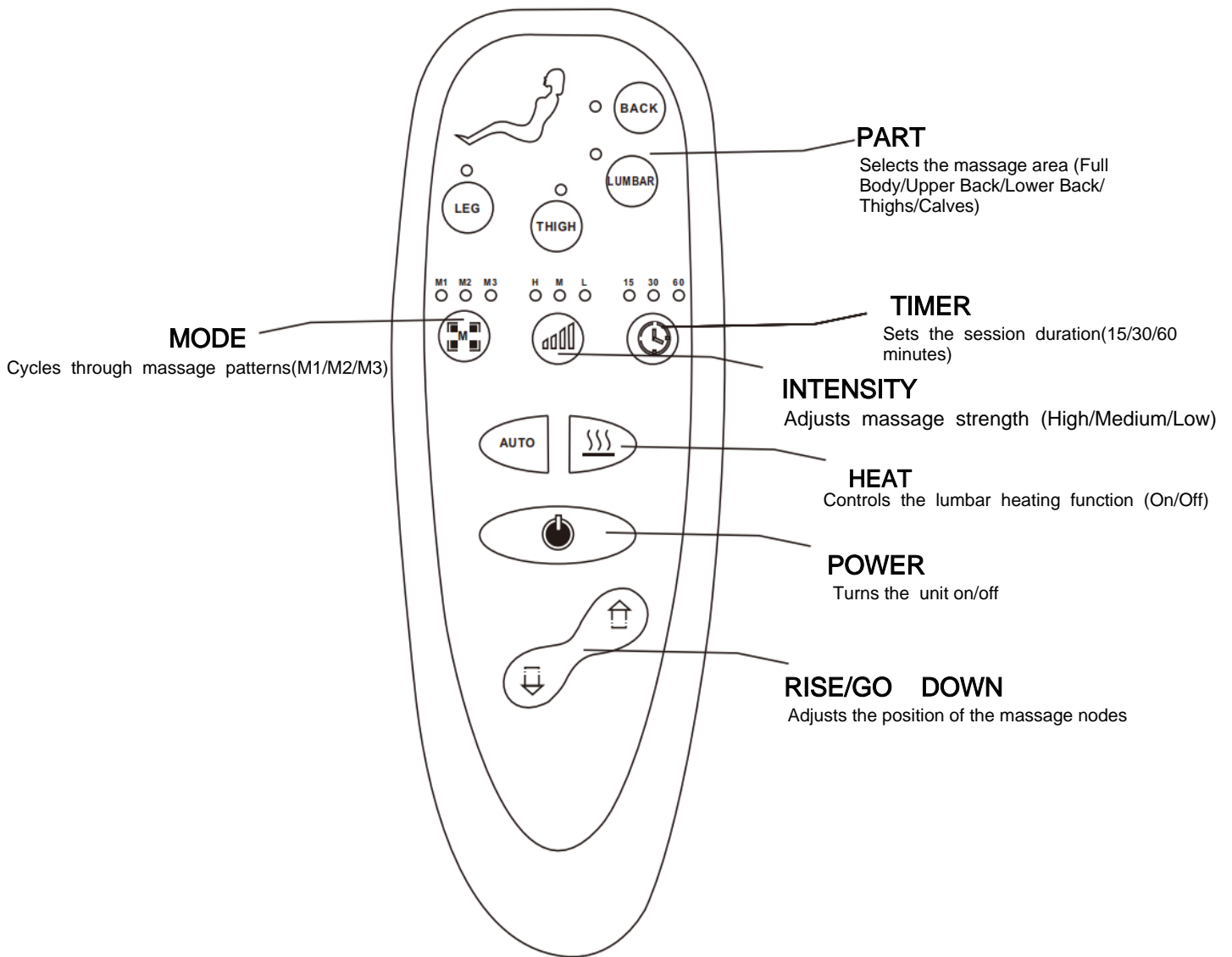
Congratulations!

08

You have successfully assembled your massage sofa!



The remote control operates the following features:



I. Power Adapter Specifications

Input	AC ~ 100-240V, 50/60Hz
Output	DC - 12V, 1A

II. Key Features

8 Massage Nodes

Targets key muscle groups with two nodes each for the Upper Back, Lumbar, Thighs, and Calves.

Independent Heating System

Features a separate ON/OFF switch for lumbar heat therapy.

Programmable Timer

Offers 15, 30, or 60-minute sessions with automatic shut-off.

III. Function Details

POWER	Press to turn the unit on or off.
TIMER	Cycle through the available massage durations (15, 30, 60 minutes). The unit will automatically power off at the end of the selected session.
MODE	Cycle through the various massage patterns (M1, M2, M3).
INTENSITY	Adjust the massage strength (High, Medium, Low). The default setting is Medium.
HEAT	Press to activate or deactivate the lumbar heat function.
PART	Select the desired massage zone (Full Body, Upper Back, Lower Back, Thighs, Calves). The default setting is Full Body.
POSITION	Adjust the position of the recliner

To detach the backrest for moving or storage:

1. Locate the metal locking mechanism on the rear of the chair.
2. Using a flat-head screwdriver (not included) , insert the tip into the mechanism.
3. Gently lever the screwdriver to release the lock. The backrest can then be lifted away.

Maintenance and Storage

- **Upholstery Cleaning:** Use a soft, dry cloth. For stains, apply a mild upholstery cleaner, testing it on an inconspicuous area first.
- **Wood/Plastic Surfaces:** Clean with a dry or slightly damp cloth. Do not use abrasive cleaners or harsh chemicals.
- **General Care:** To prevent damage, avoid placing the product in direct sunlight or near heat sources. Protect from sharp objects and store in a dry environment.
- Store the remote control and power adapter out of the reach of children.
- When not in use for an extended period, unplug the unit from the outlet.

