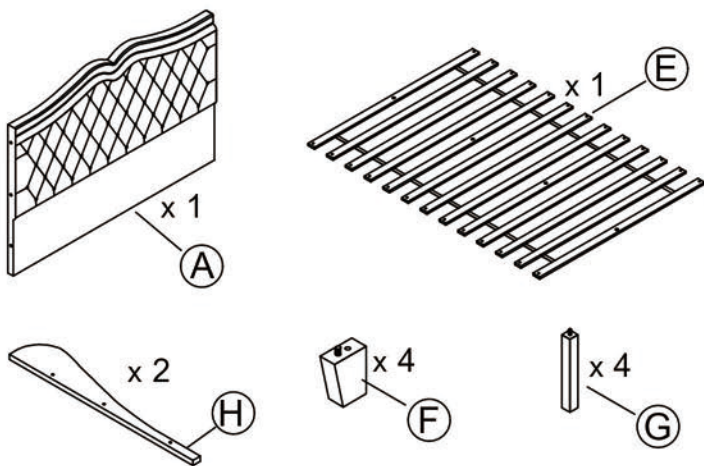


ASSEMBLY INSTRUCTION

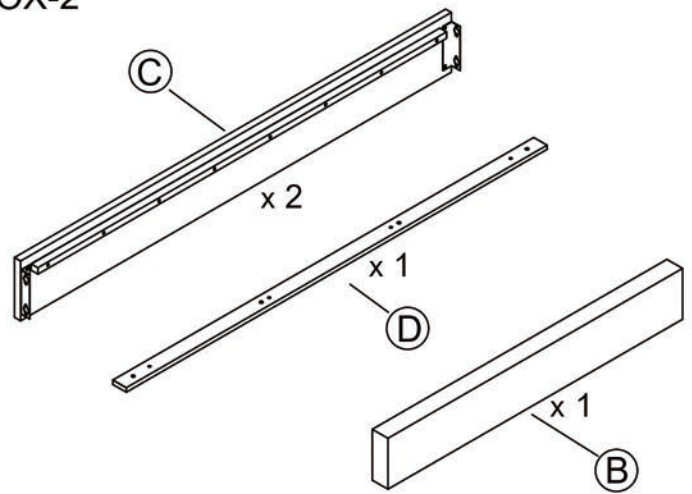


PARTS LIST

BOX-1



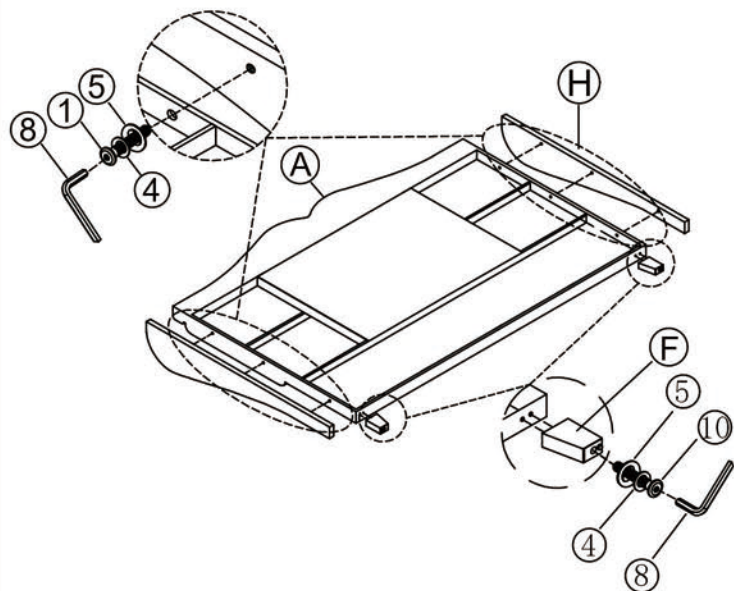
BOX-2



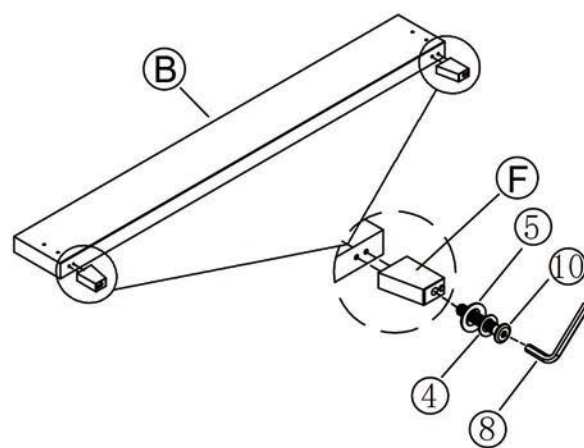
HARDWARE LIST

<p>① x 6</p> <p>Bolt 5/16" x 1-1/2"</p>	<p>② x 8</p> <p>Bolt 5/16" x 1-1/4"</p>	<p>③ x 4</p> <p>Bolt 1/4" x 1-1/8"</p>
<p>④ x 18</p> <p>Lock Washer ϕ5/16"</p>	<p>⑤ x 18</p> <p>Flat Washer ϕ5/16"</p>	<p>⑥ x 4</p> <p>Lock Washer ϕ1/4"</p>
<p>⑦ x 4</p> <p>Flat Washer ϕ1/4"</p>	<p>⑧ x 1</p> <p>Allen Wrench M4</p>	<p>⑨ x 26</p> <p>Screw #4 x 1-1/4"</p>
<p>⑩ x 4</p> <p>Bolt 5/16" x 2-3/4"</p>		

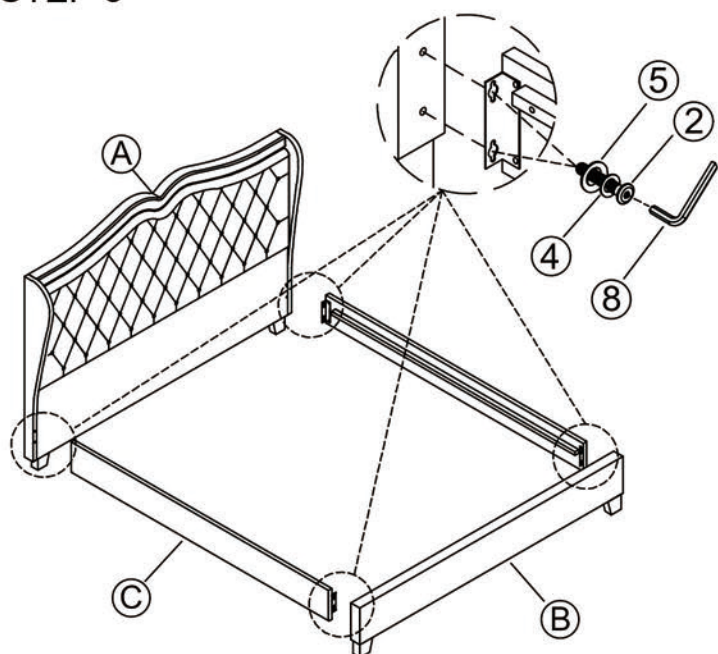
STEP 1



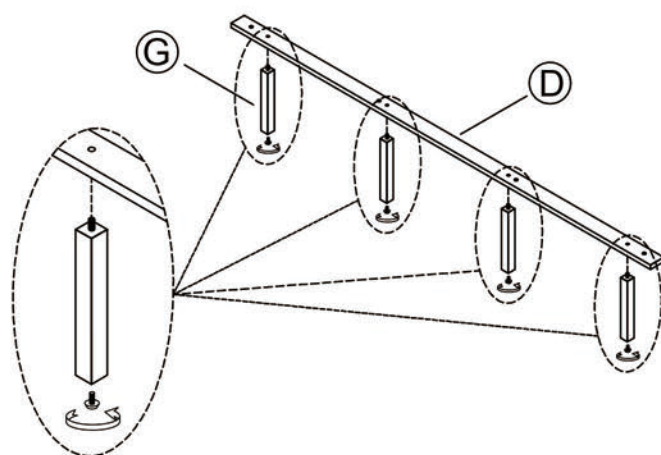
STEP 2



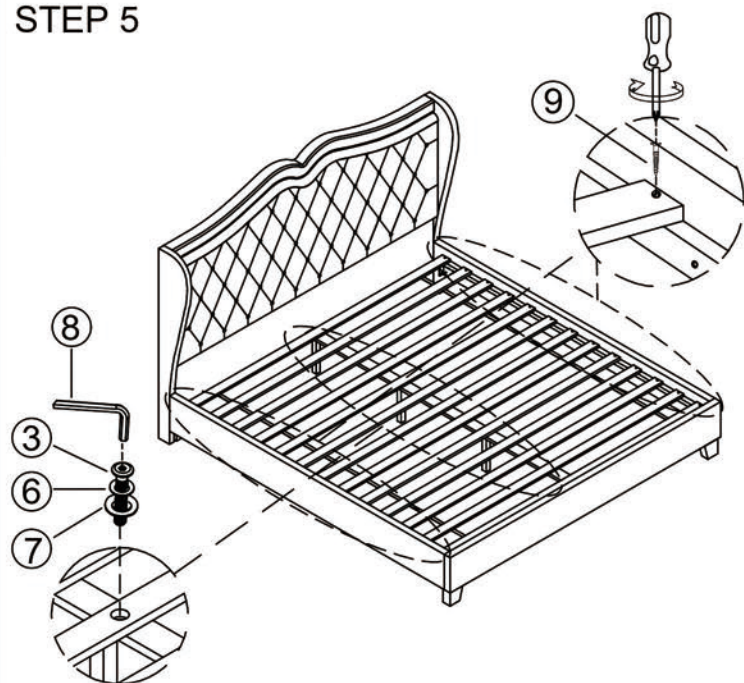
STEP 3



STEP 4



STEP 5



STEP 6

