

WALL LAMP

Assembly Instructions

TOOLS REQUIRED



Ladder



Safety glasses



Electrical tape

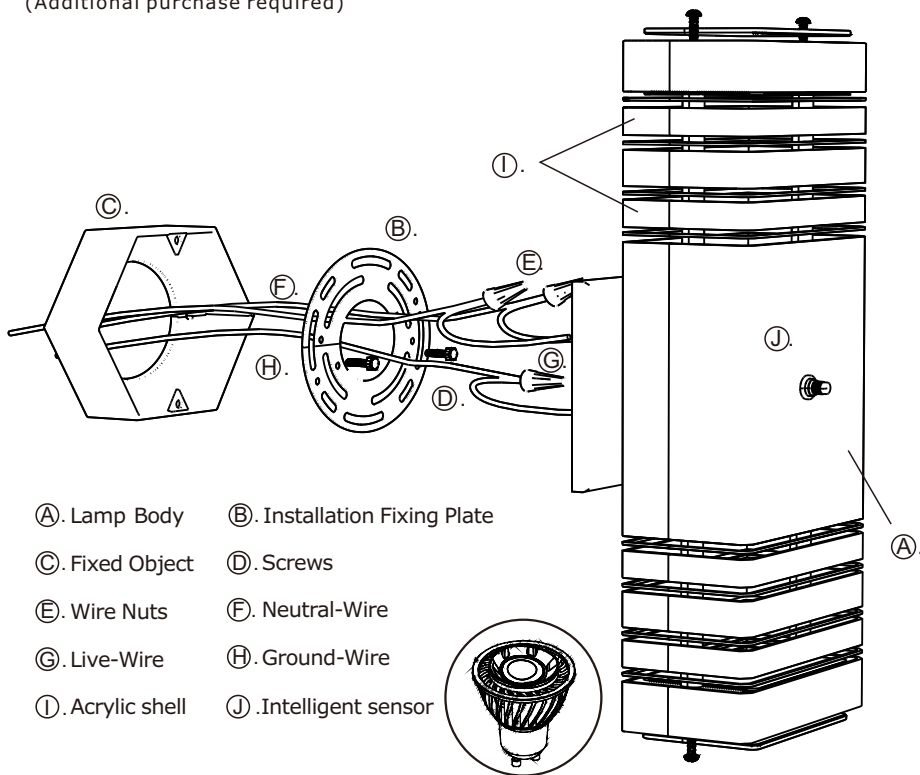


Phillips screwdriver

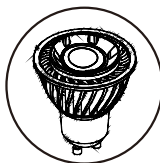


Flat blade screwdriver

※ Match with **Gu10** bulb, **Gu10** bulb is not included (Additional purchase required)



- (A) Lamp Body
- (B) Installation Fixing Plate
- (C) Fixed Object
- (D) Screws
- (E) Wire Nuts
- (F) Neutral-Wire
- (G) Live-Wire
- (H) Ground-Wire
- (I) Acrylic shell
- (J) Intelligent sensor



GU 10 BULB



Mounting Screws



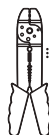
Wire Nuts



Plastic Washer



Pliers



Wire strippers

WALL LAMP

Assembly Instructions



CAUTION

- Inspect the wire insulation for any cuts, abrasions, or exposed copper that may have resulted during shipping. If there is a defect in the wire, do not attempt installation.
- Before starting installation of this fixture or removal of a previous fixture, disconnect the power by turning off the circuit breaker or by removing the fuse at the fuse box.

STEP 1:

Uninstall mounting plate **B** by rotating cap nuts **E** counterclockwise. Install the mounting plate to your fixed object **C** with the screws **D**.

STEP 2:

If the house ground wire is copper fix the copper (ground) wire from the junction box to the mounting plate **B** by wrapping it around the green (ground) bolt, then connect it to the fixture copper (ground) wire with a provided twist cap connector. Alternatively, you can connect both copper (ground) wires together directly with a provided twist cap connector. Then attach it to the copper (ground) wire from the fixture using a provided twist cap connector. Then, pass all wires through mounting plate **B**. Connect the fixture neutral (white) wire to house neutral (white) wire and the fixture black (live) wire to the house black (live) wire. Use provided twist cap connectors **B** to make all connections.

STEP 3:

Install the backplate to the mounting plate by inserting the bolts from the mounting plate **B** through the holes on the fixed object **C**, then use the washers and cap nuts **E** to tighten the back plate **B**. Ensure that cap nuts are securely tightened.

Note:

This equipment has been tested and found to comply with the limits for a Class B digital device, pursuant to part 15 of the Fcc Rules. These limits are designed to provide reasonable protection against harmful interference in a residential installation. This equipment generates, uses and can radiate radio frequency energy and, if not installed and used in accordance with the instructions, may cause harmful interference to radio communications. However, there is no guarantee that interference will not occur in a particular installation. If this equipment does cause harmful interference to radio or television reception, which can be determined by turning the equipment off and on, the user is encouraged to try to correct the interference by one or more of the following measures: Reorient or relocate the receiving antenna. Increase the separation between the equipment and receiver. Connect the equipment into an outlet on a circuit different from that to which the receiver is connected. Consult the dealer or an experienced radio/TV technician for help. Important: Change or modifications not expressly approved by the manufacturer responsible for compliance could void the user's authority to operate the equipment.