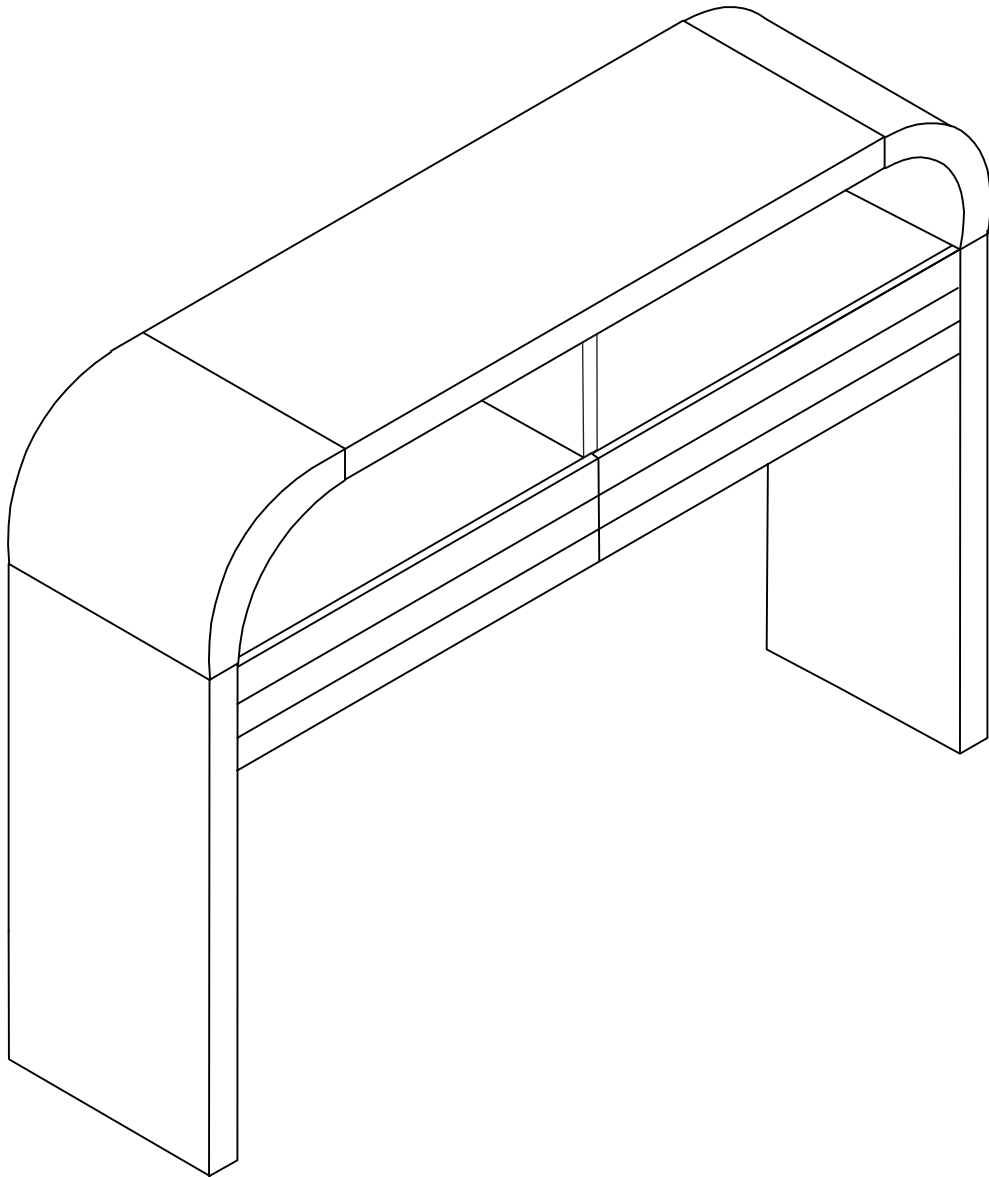


ASSEMBLY INSTRUCTION

SIDEBOARD



ASSEMBLY INSTRUCTION

Please read these instructions fully before starting assembly :

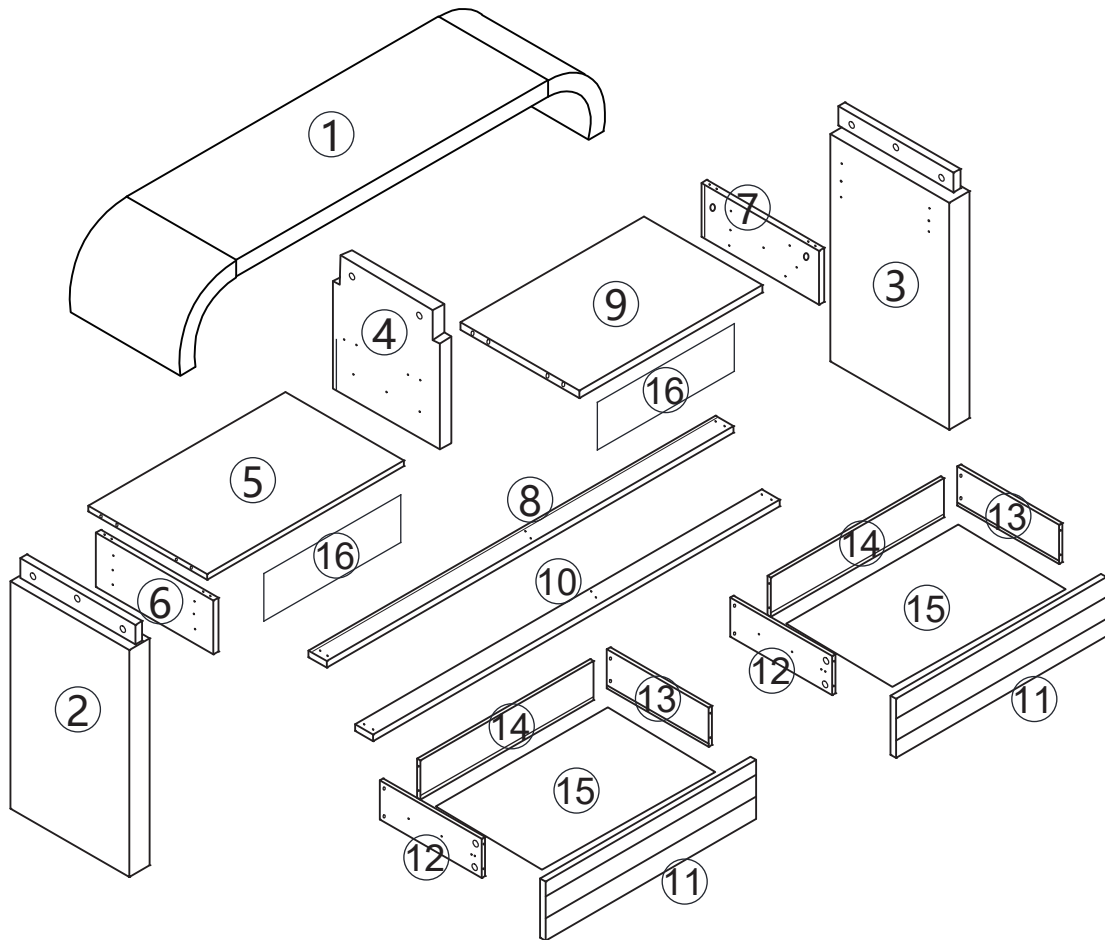
Tools required: Phillips screwdriver (medium & large)

1. Check you have all the components and tools listed on the following pages.
2. Remove all fittings from the plastic bags and separate them into their groups.
3. Keep children and animals away from the work area, small parts could choke if swallowed.
4. Make sure you have enough space to layout the parts before starting.
5. During assembly do not stand or put weight on the product, this could cause damage.
6. Assemble the item as close to its final position (in the same room) as possible.
7. Assemble on a soft level surface to avoid damaging the unit or your floor.
8. Parts of the assembly will be easier with 2 people.
9. To reduce the likelihood of damaging your product please ensure that your power drill is set on a low torque setting.
10. Assemble all parts and bolts loosely during assembly, only once the product is complete should you fully tighten the bolts.
11. Regularly check and ensure That all bolts and fittings are tightend properly.
12. Please do not place items that exceed the load capacity.

Care and maintenance

Only clean using a damp cloth and mild detergent, do no use bleach or abrasive cleaners.

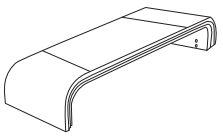
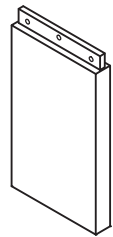
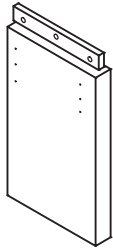
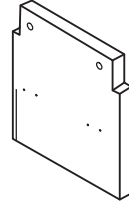
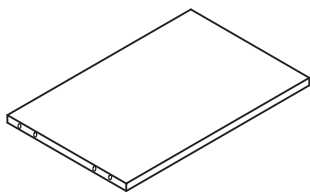
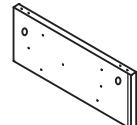
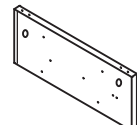
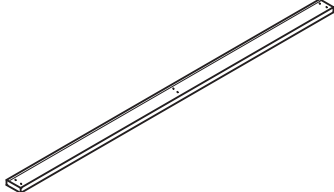
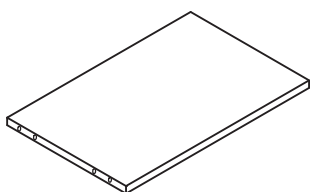
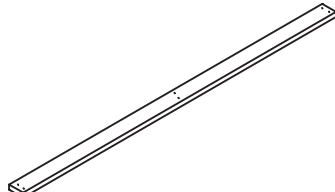
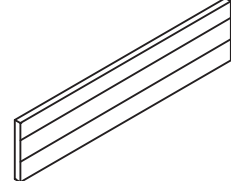
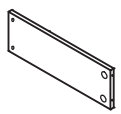
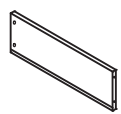
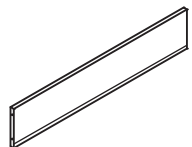
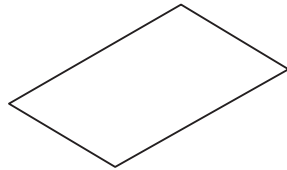
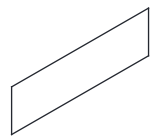
ASSEMBLY INSTRUCTION



Part List

Please check you have all the panels listed below






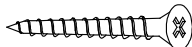
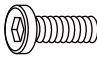
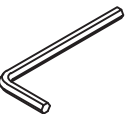




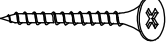
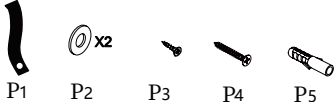
Note: The quantities below are the correct amount to complete the assembly. In some cases more fittings may be supplied than are required.

<p>①</p>  <p>Top Panel 1 PC</p>	<p>②</p>  <p>Left Panel 1 PC</p>	<p>③</p>  <p>Right Panel 1 PC</p>	<p>④</p>  <p>Medial Panel 1 PC</p>
<p>⑤</p>  <p>1 PC</p>	<p>⑥</p>  <p>1 PC</p>	<p>⑦</p>  <p>1 PC</p>	<p>⑧</p>  <p>1 PC</p>
<p>⑨</p>  <p>1 PC</p>	<p>⑩</p>  <p>1 PC</p>	<p>⑪</p>  <p>2 PCS</p>	<p>⑫</p>  <p>2 PCS</p>
<p>⑬</p>  <p>2 PCS</p>	<p>⑭</p>  <p>2 PCS</p>	<p>⑮</p>  <p>Rear panel 2 PCS</p>	<p>⑯</p>  <p>2 PCS</p>

Hardware list

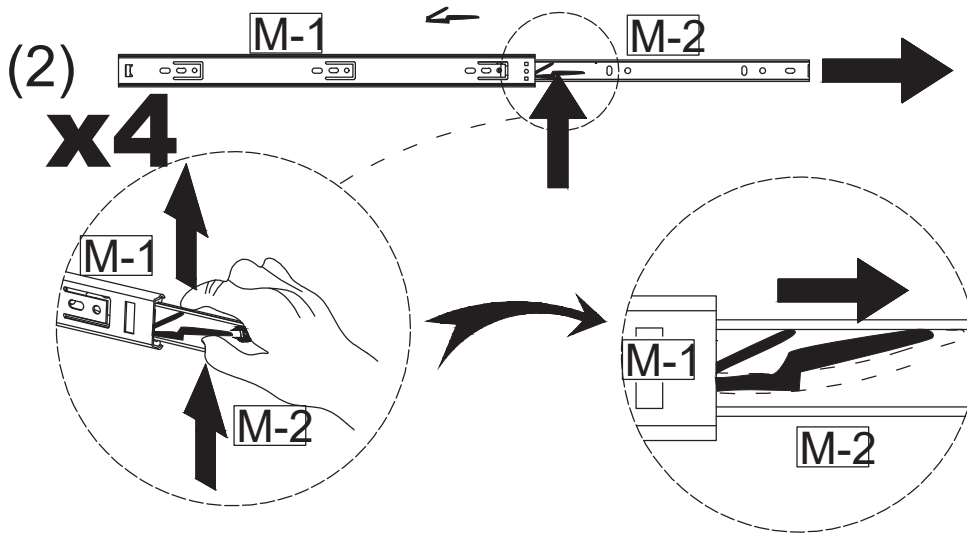
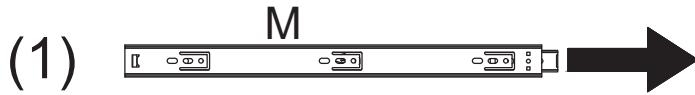
Please check you have all the panels listed below

Note: The quantities below are the correct amount to complete the assembly. In some cases more fittings may be supplied than are required.

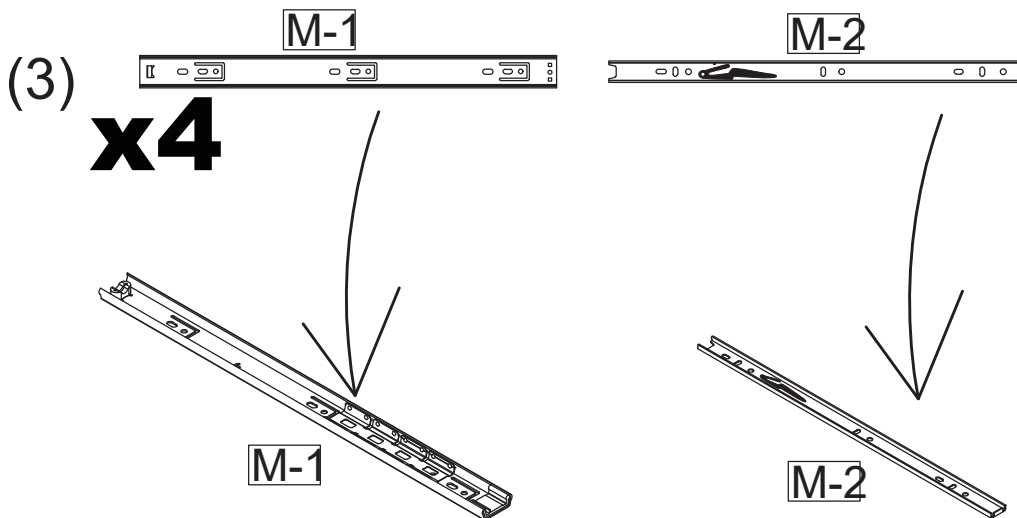
<p>A</p>  <p>Male Camlock x 16</p>	<p>B</p>  <p>Female Camlock x 16</p>	<p>C</p>  <p>Dowel x 19</p>	<p>D</p>  <p>8*60mm Screw x 6</p>
<p>E</p>  <p>E x 1</p>	<p>F</p>  <p>4*35mm Screw x 14</p>	<p>G</p>  <p>8*45mm Screw x 2</p>	<p>H</p>  <p>H x 1</p>
<p>J</p>  <p>Shelf Support Pin x 8</p>	<p>K</p>  <p>Shelf Support Pin x 8</p>	<p>L</p>  <p>3*12mm Screw x 32</p>	<p>M</p>  <p>Steel ball slide x 4</p>
<p>N</p>  <p>4*30mm Screw x 8</p>	<p>P</p>  <p>P x 2</p>		

ASSEMBLY INSTRUCTION

Step 1

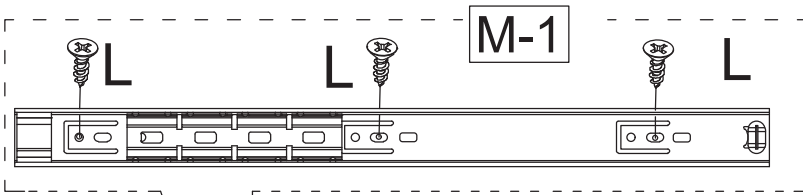


Move the black paddle upward and pull out (M-2) to the right.

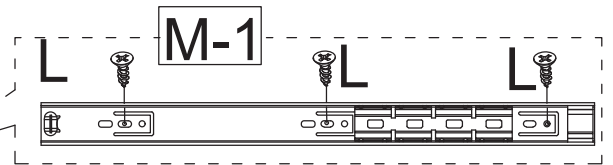
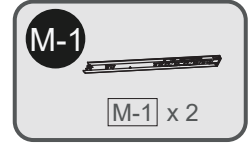
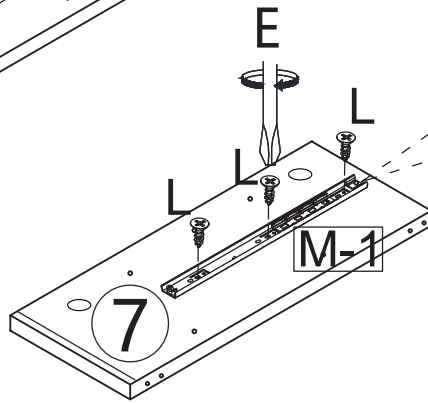
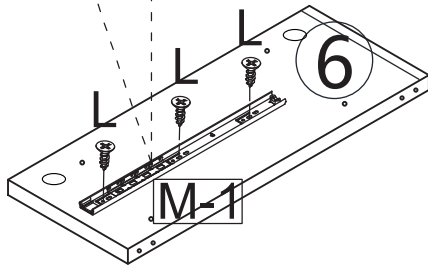


ASSEMBLY INSTRUCTION

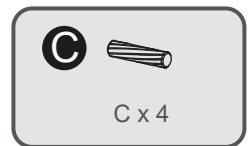
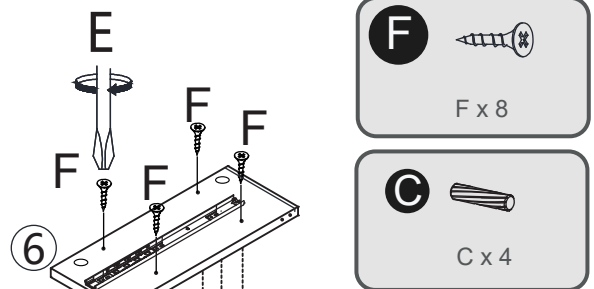
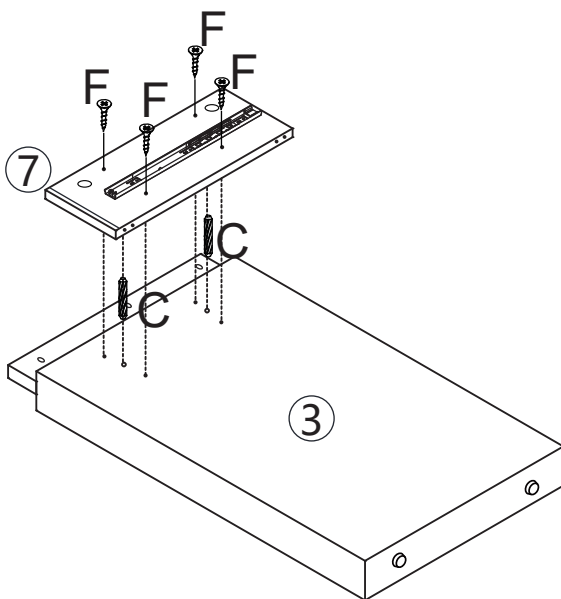
Step 2



Tips: Please make sure the screws are tightened in the correct holes



Step 3



ASSEMBLY INSTRUCTION

Step 4



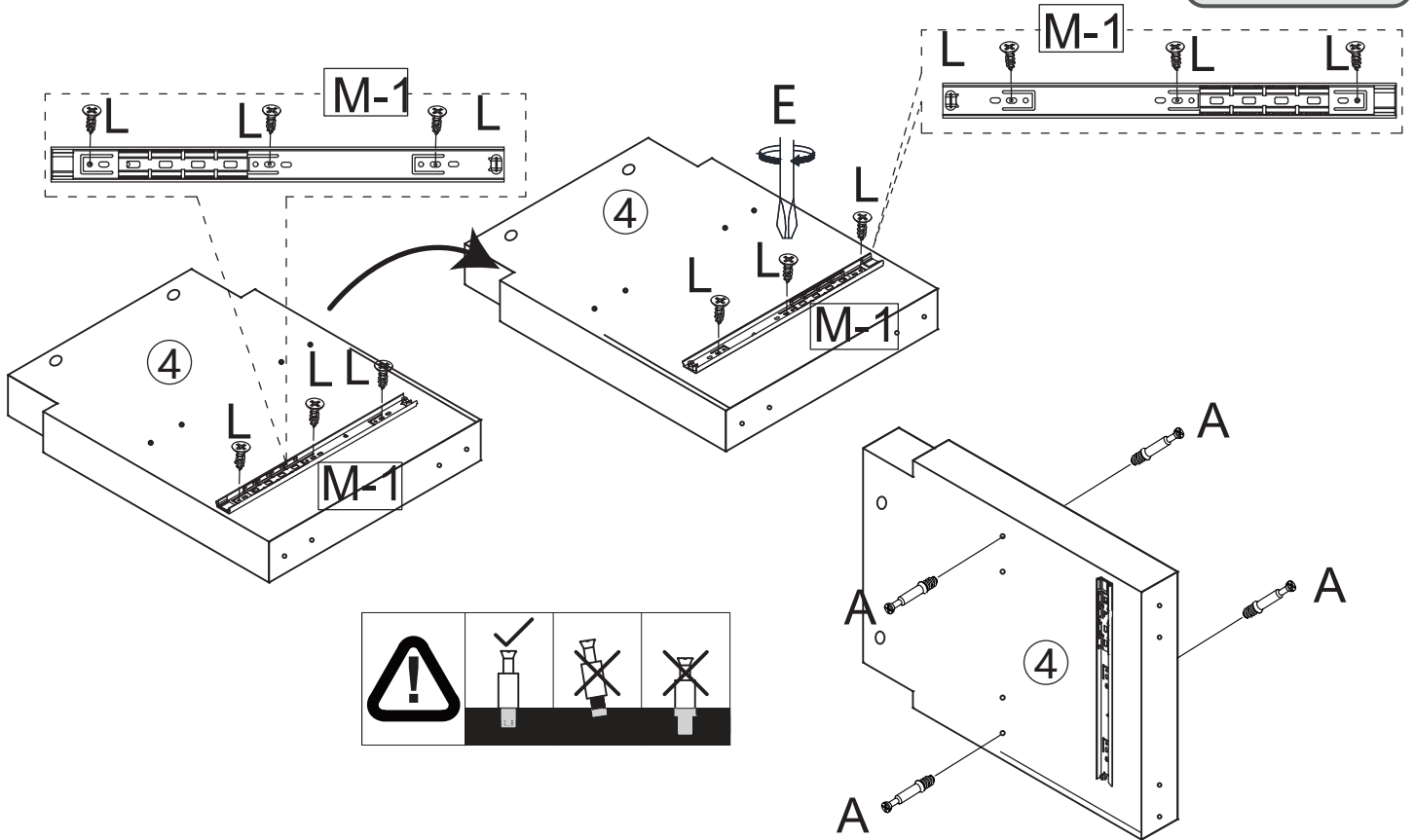
A x 4



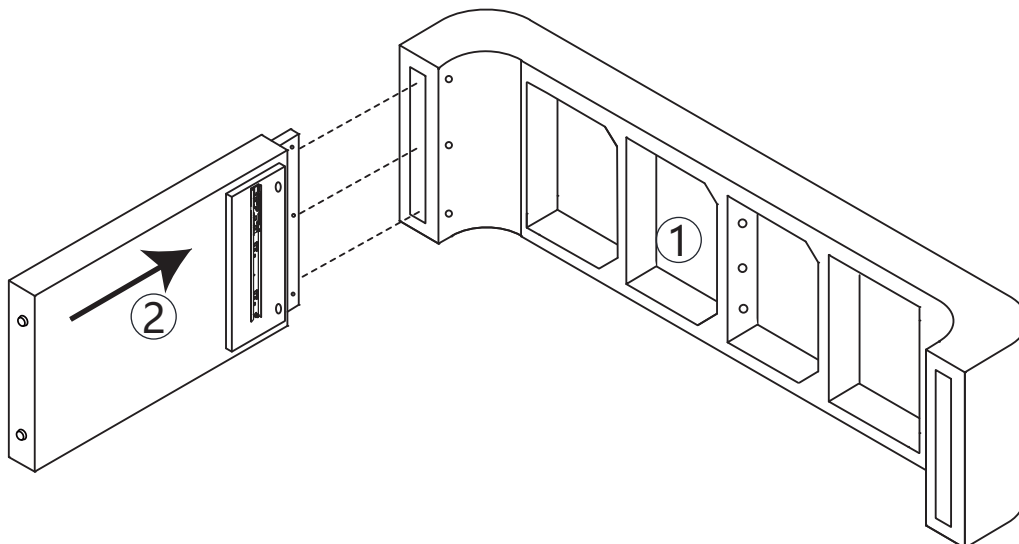
M-1 x 2



L x 6

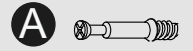


Step 5

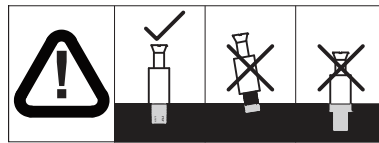
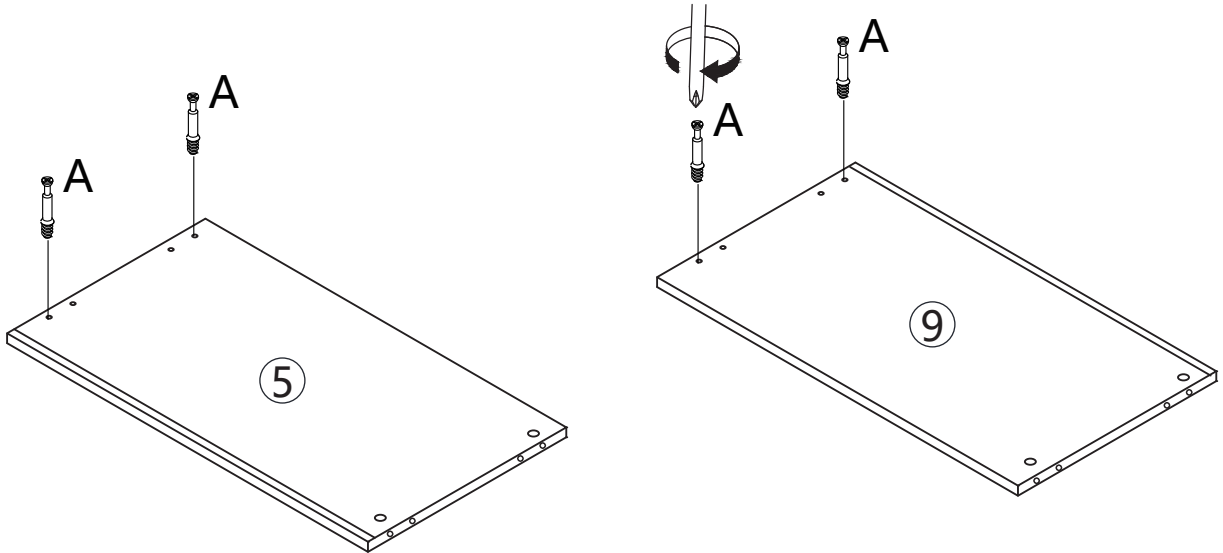


ASSEMBLY INSTRUCTION

Step 6



A x 4



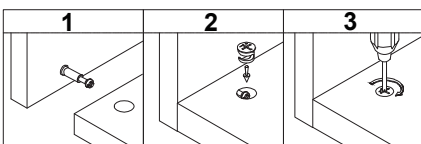
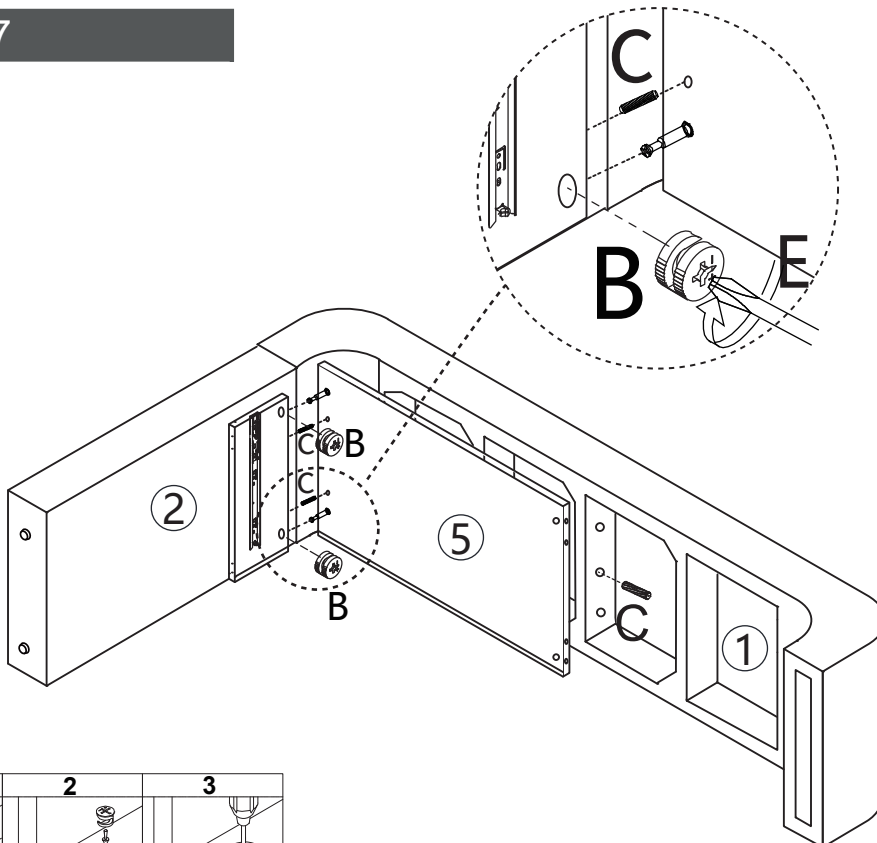
Step 7



C x 3

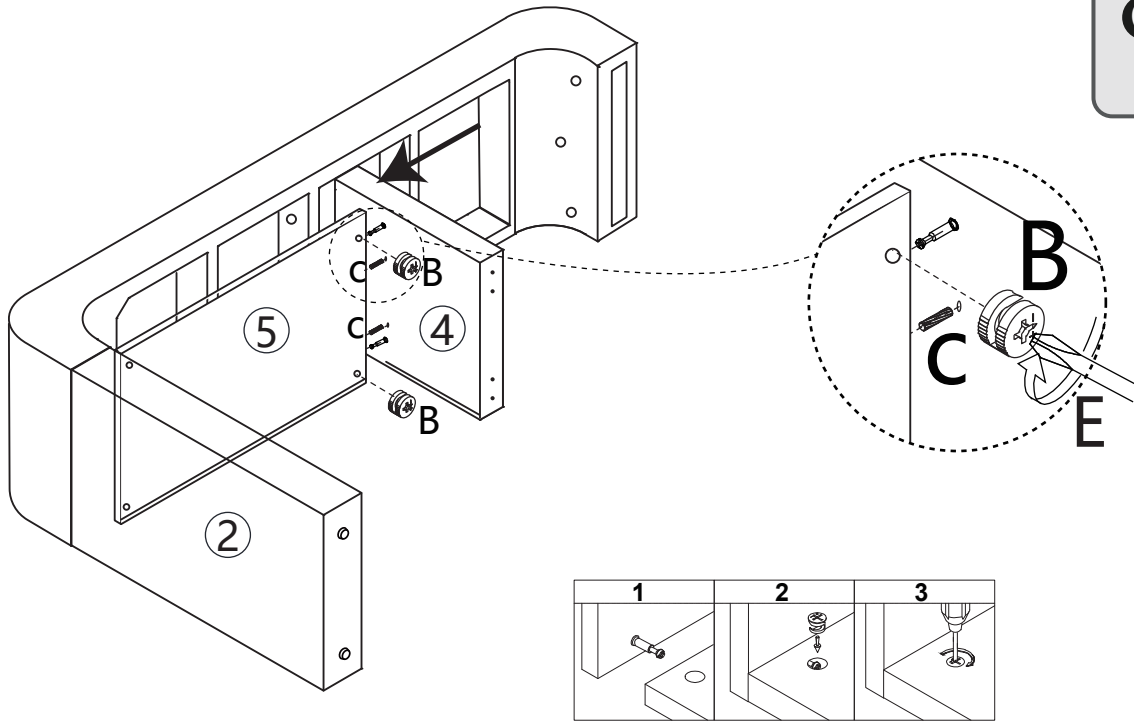


B x 2

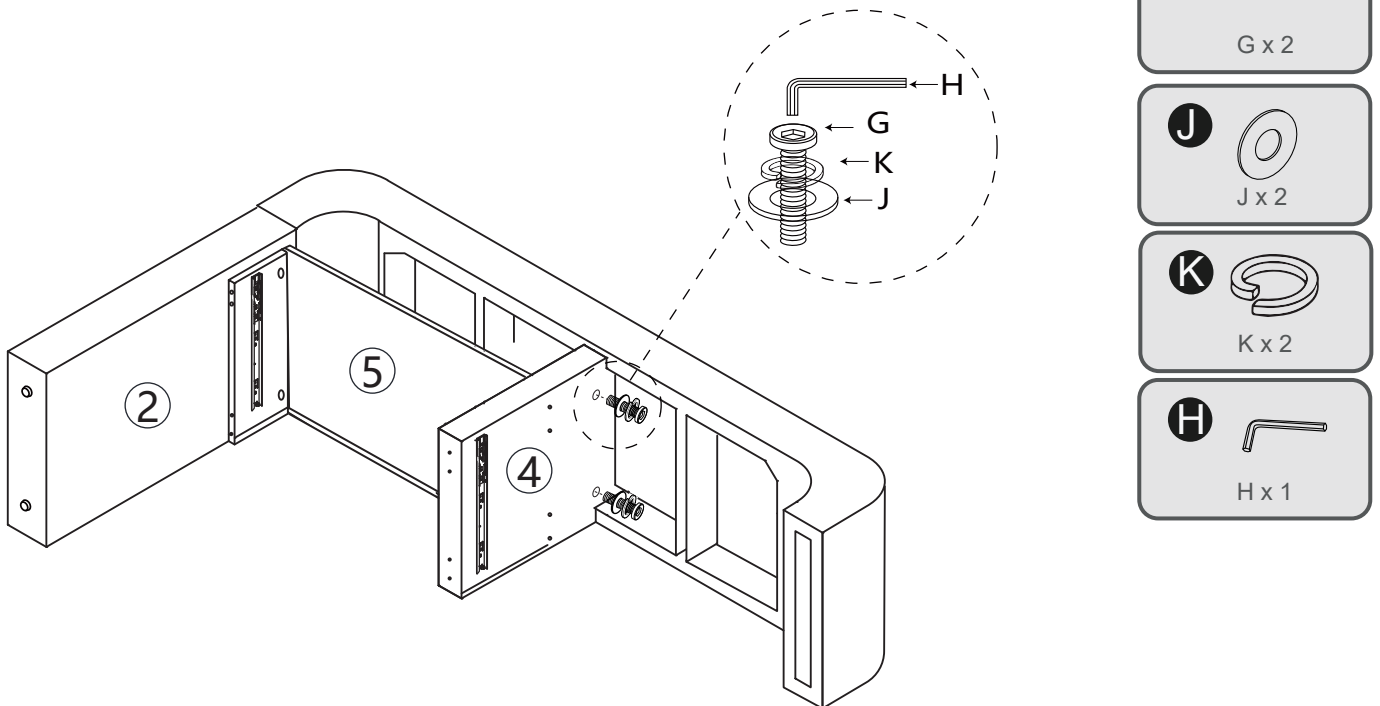


ASSEMBLY INSTRUCTION

Step 8

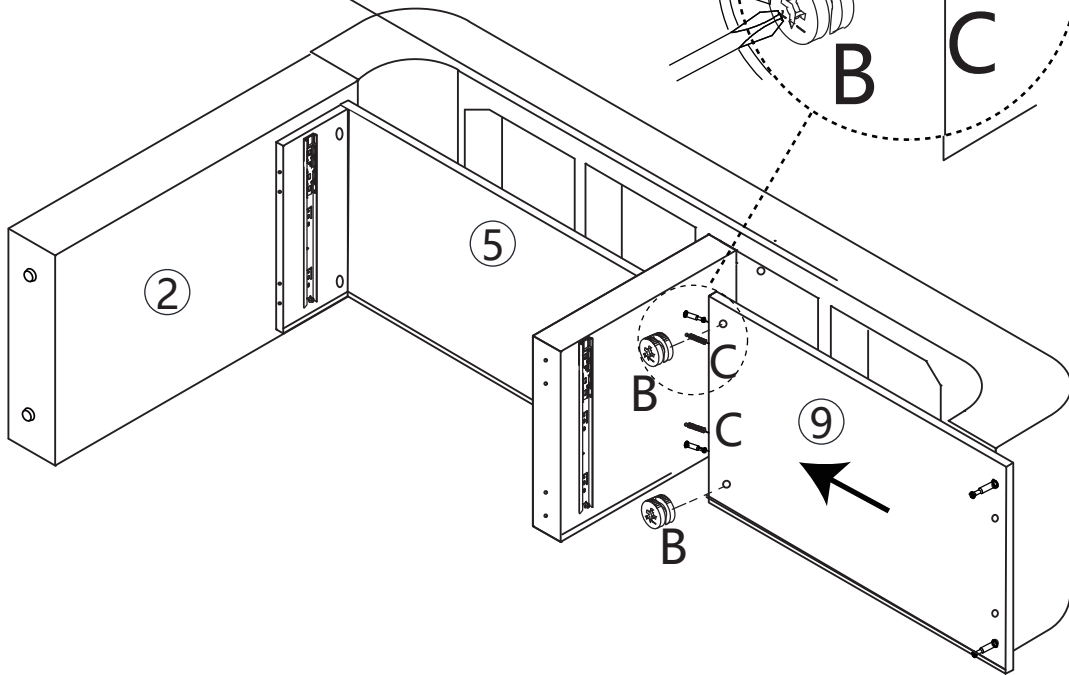
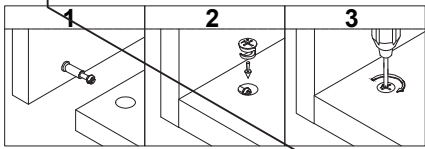


Step 9

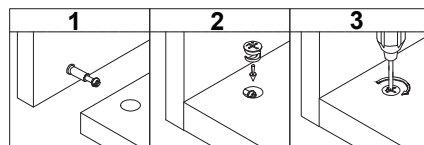
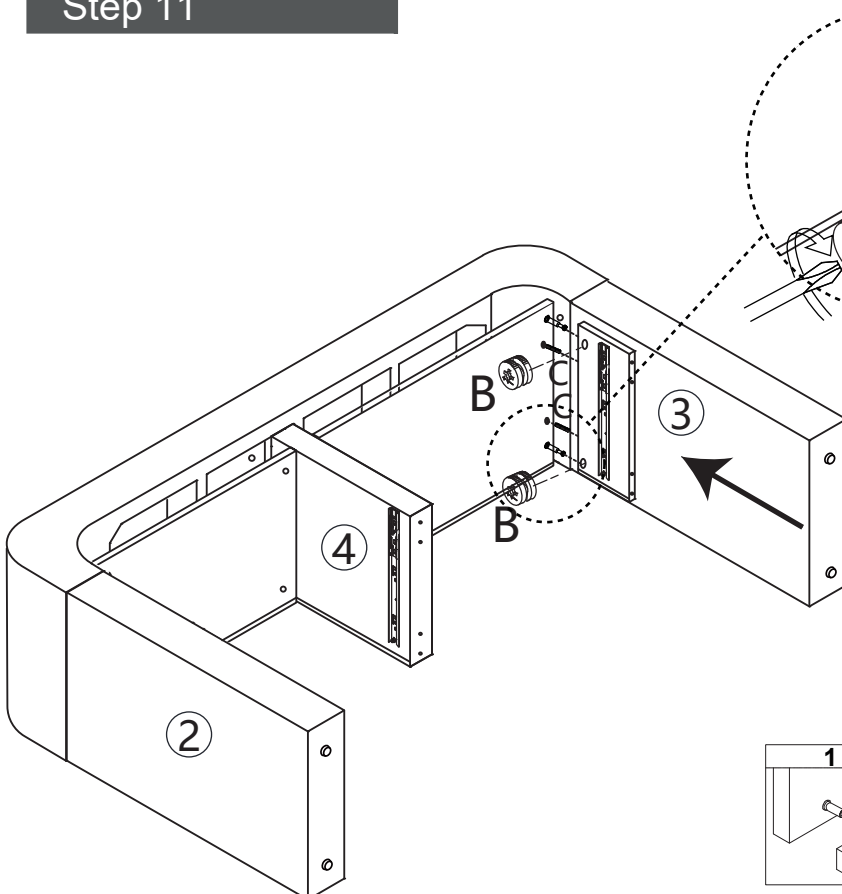


ASSEMBLY INSTRUCTION

Step 10

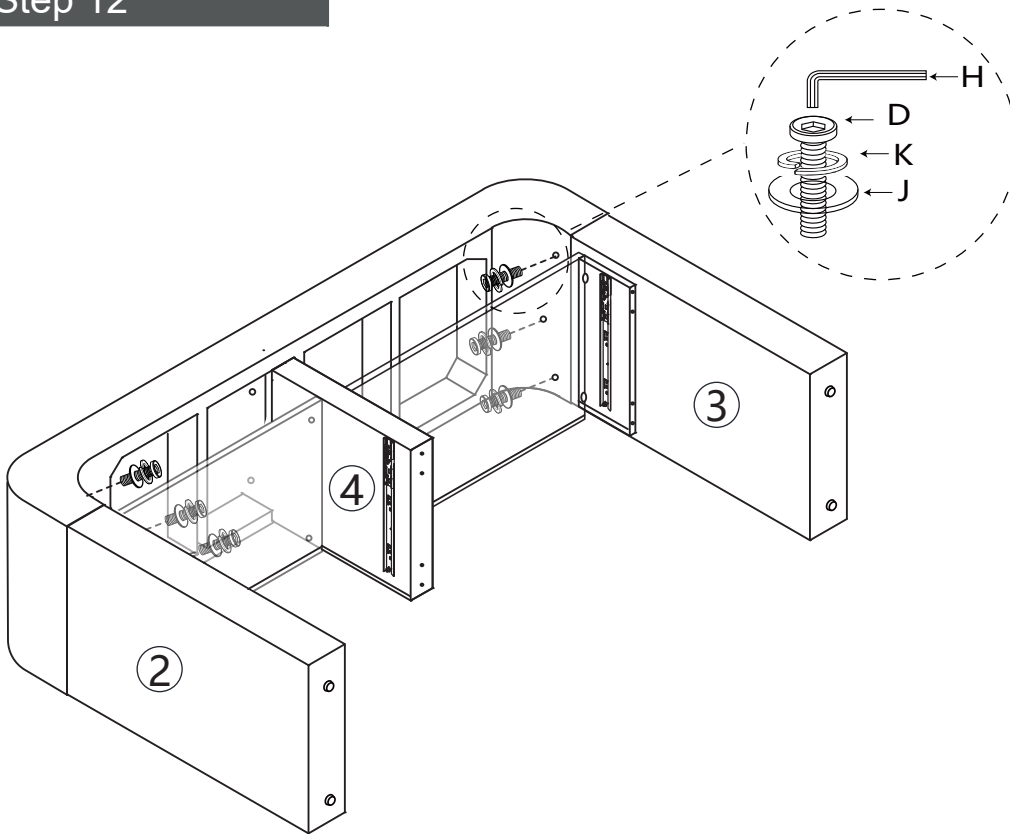


Step 11



ASSEMBLY INSTRUCTION

Step 12



D x 6

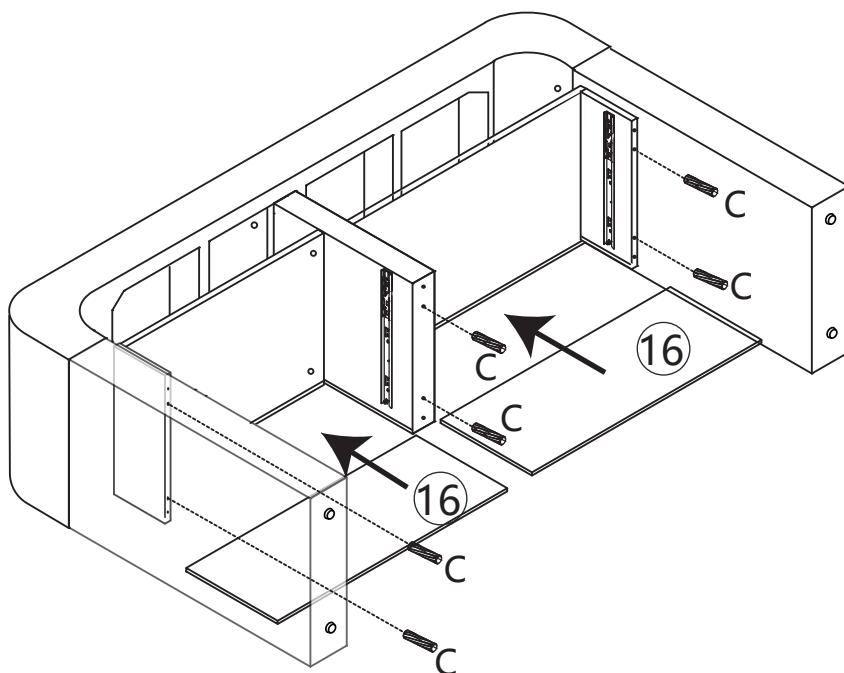


J x 6



K x 6

Step 13



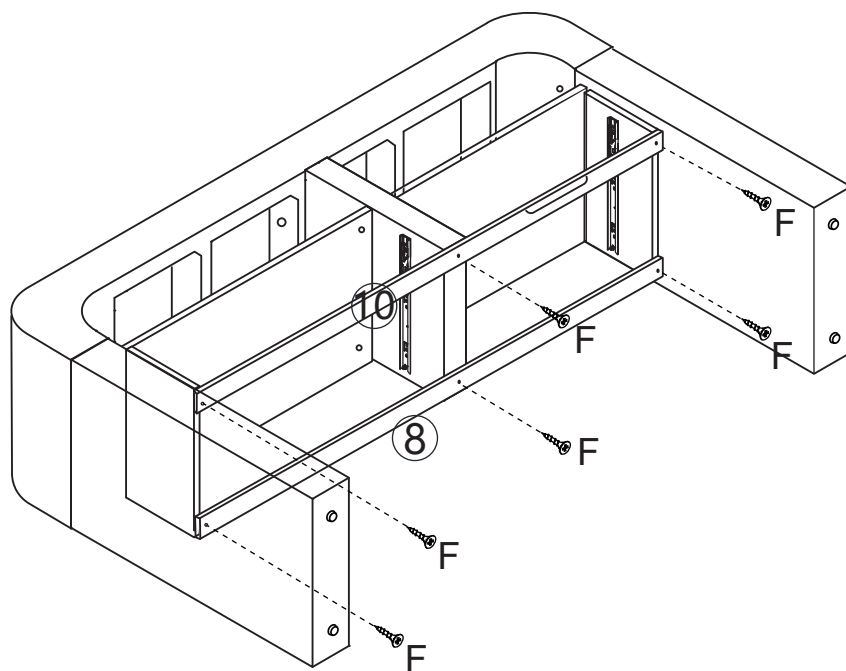
C x 6

ASSEMBLY INSTRUCTION

Step 14



F x 6

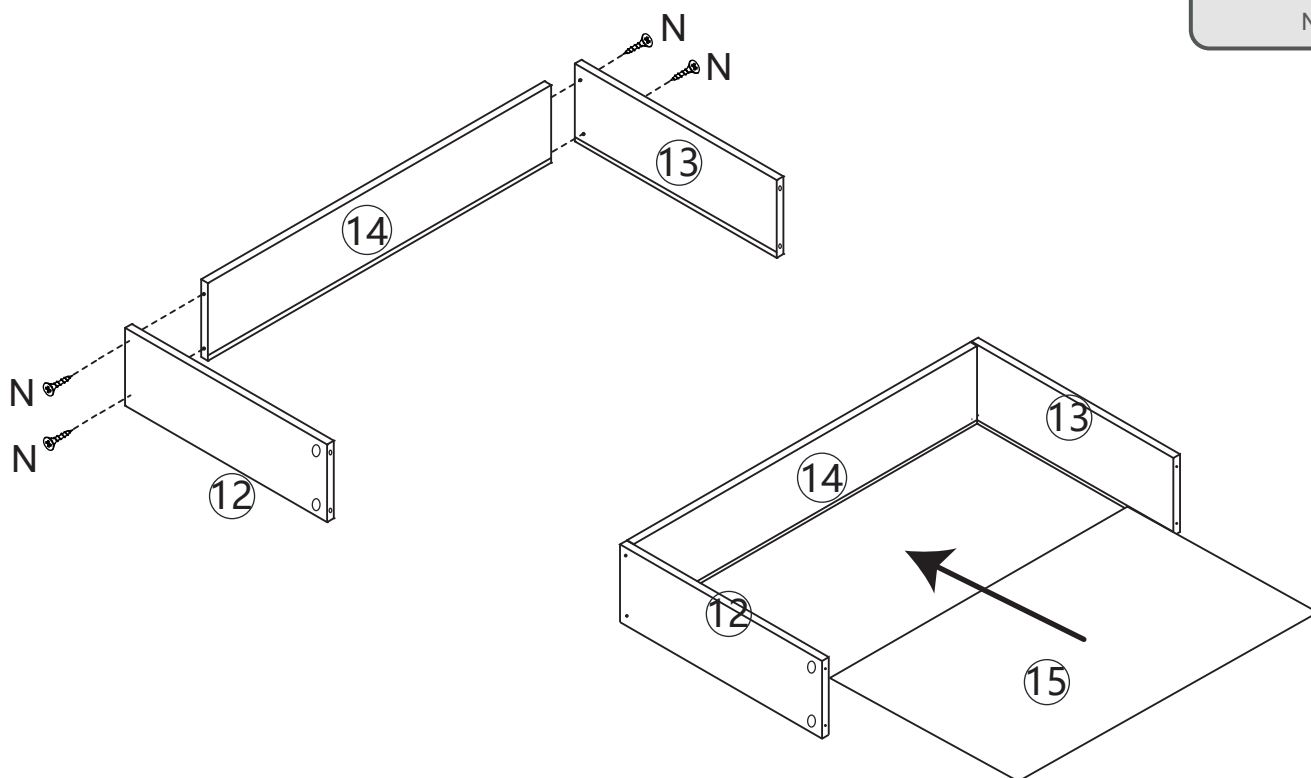


Step 15

x 2



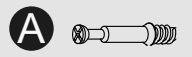
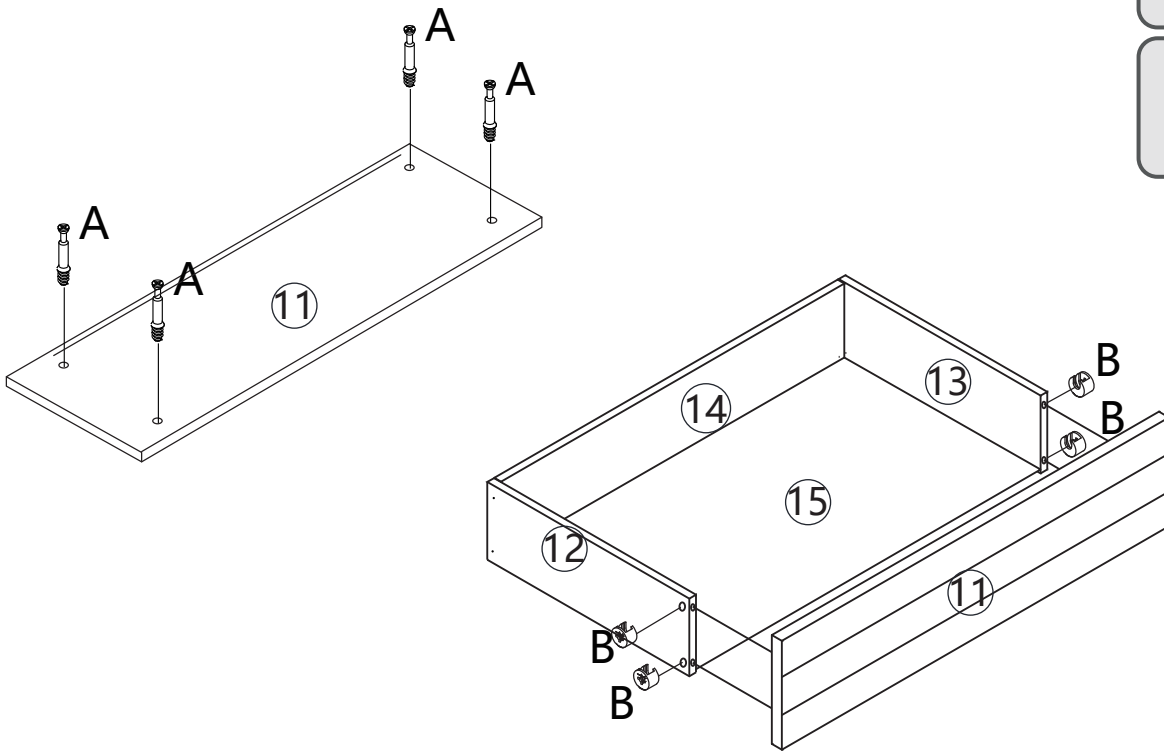
N x 8



ASSEMBLY INSTRUCTION

Step 16

x 2



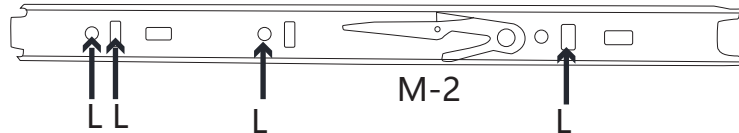
A x 8



B x 8

Step 17

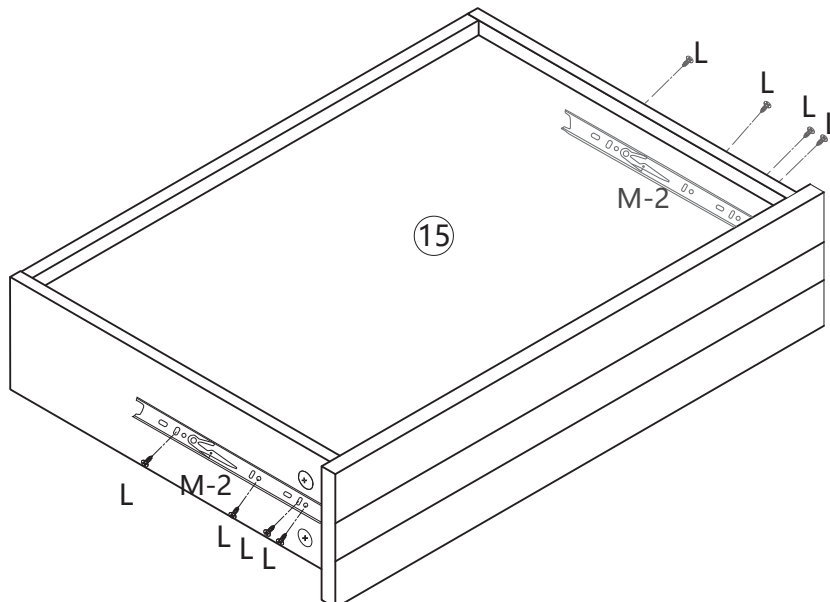
x 2



L x 16

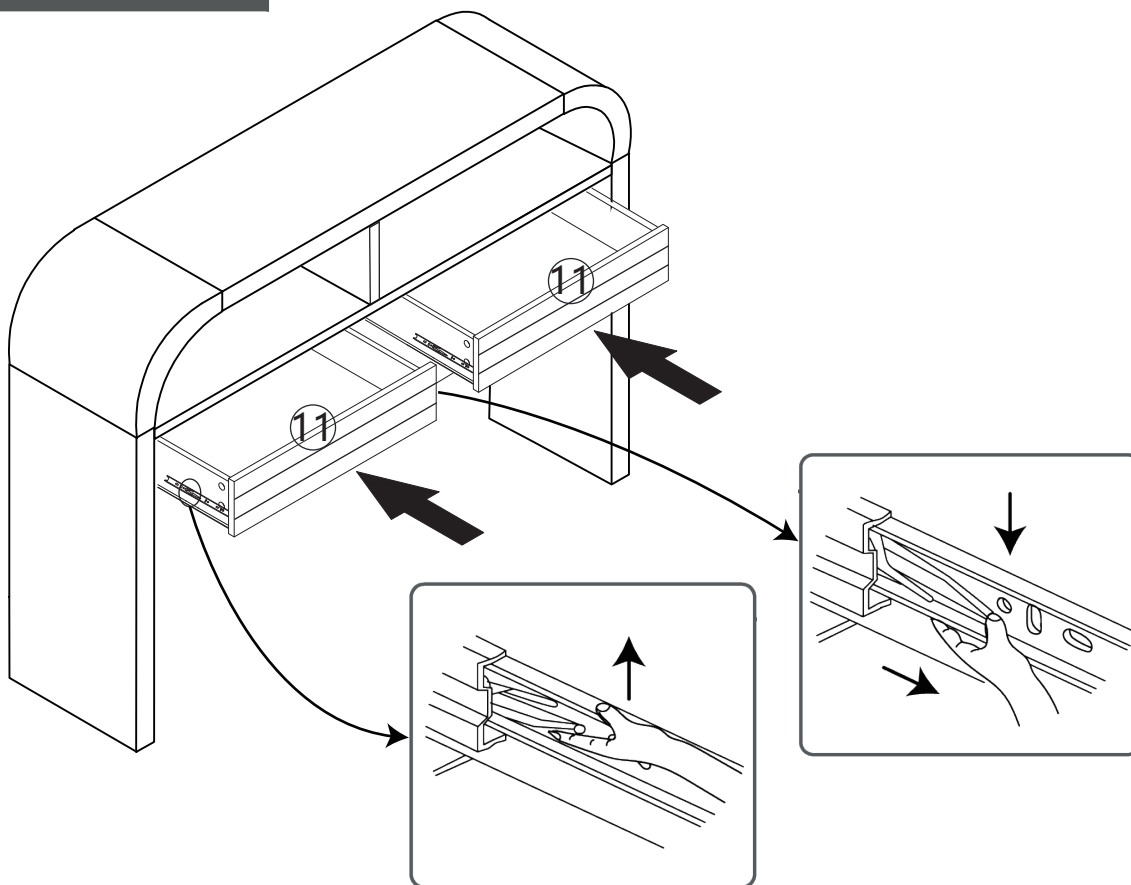


M-2 x 4

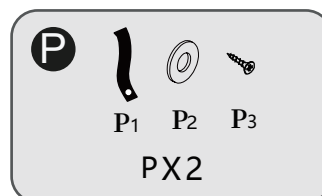
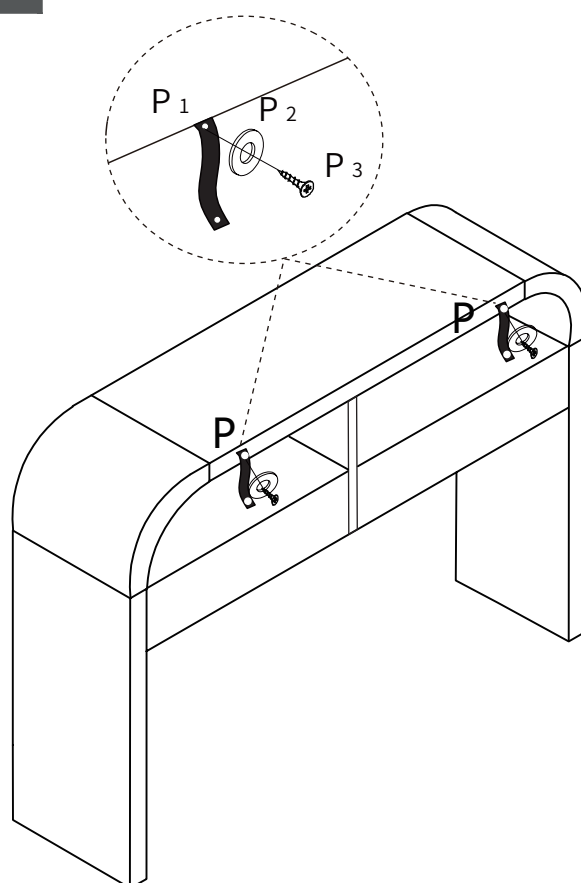


ASSEMBLY INSTRUCTION

Step 18



Step 19



ASSEMBLY INSTRUCTION

Step 20

WALL

