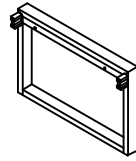
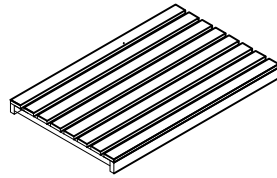


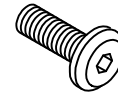
COFFEE TABLE



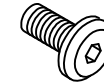
A*2PCS



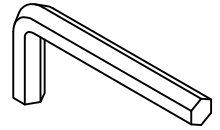
B*1PC



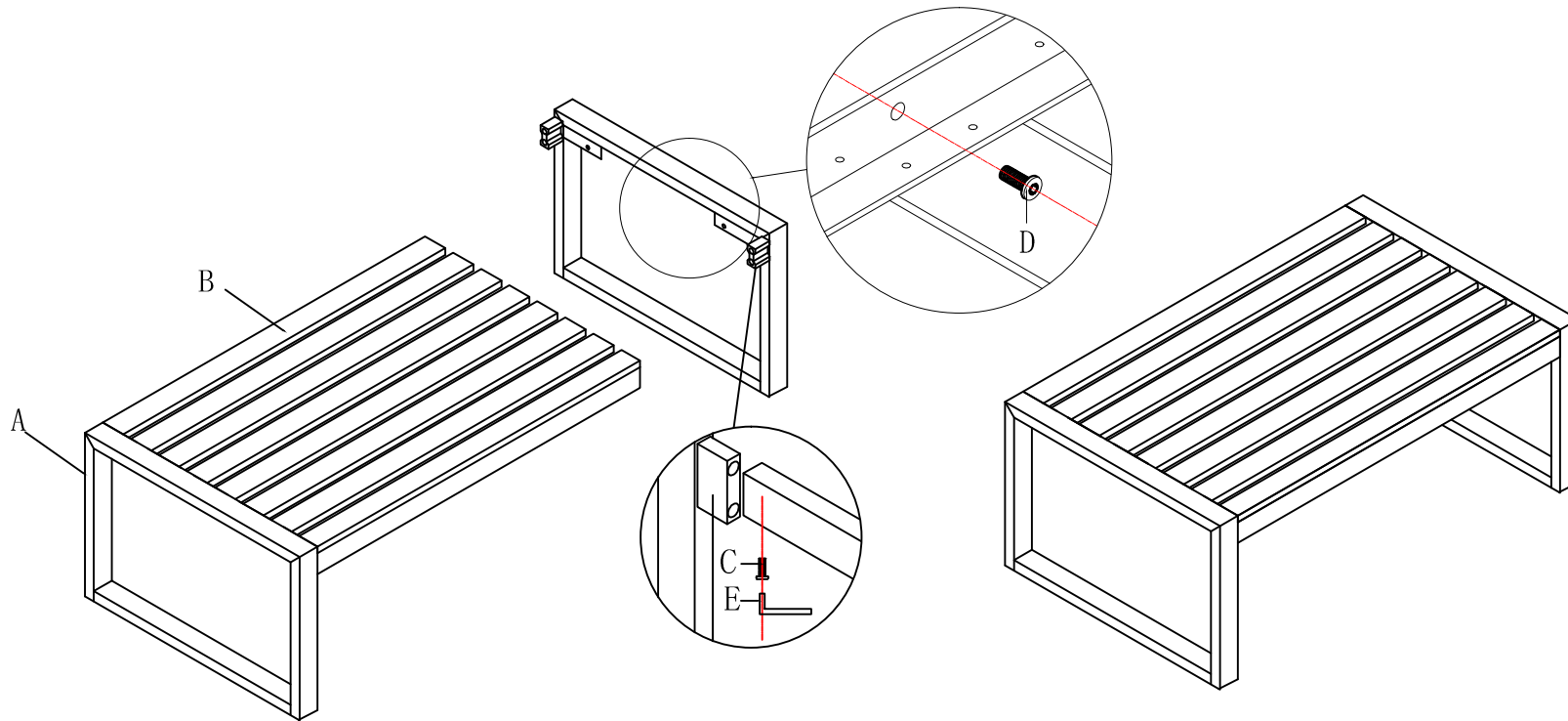
C:M6*25*4PCS



D:M6*10*4PCS



E:4MM*1PC



1

2