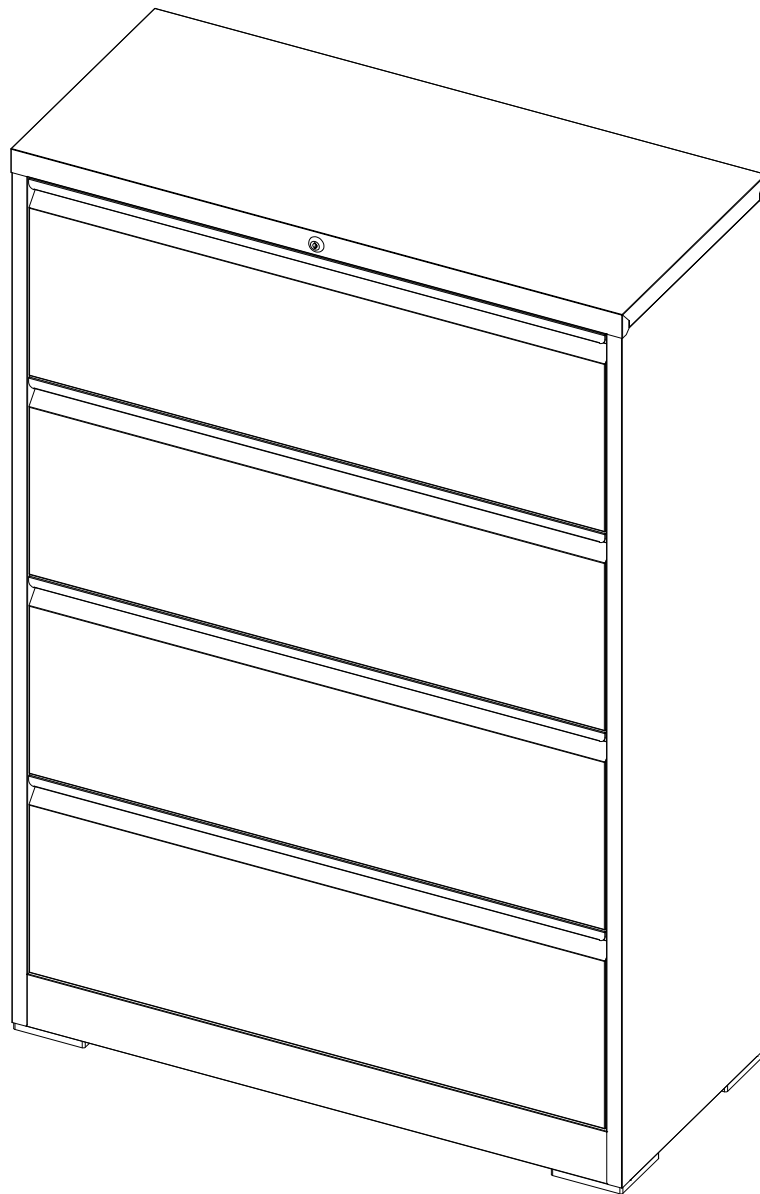
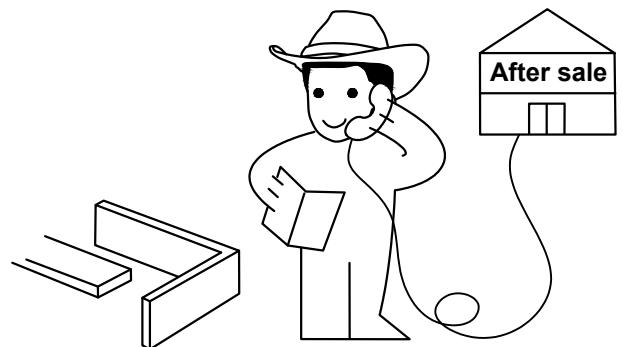
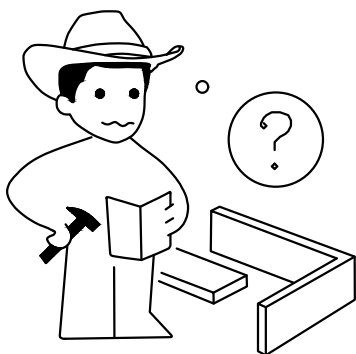
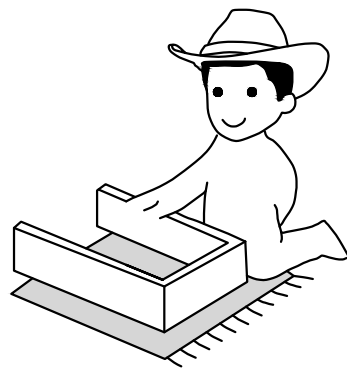
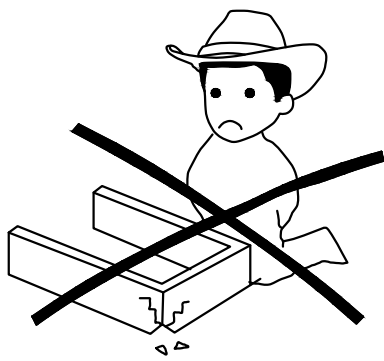
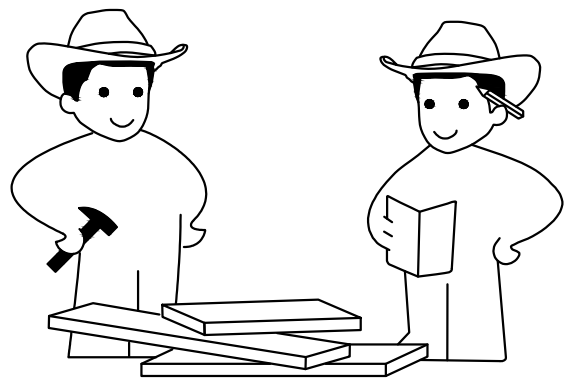
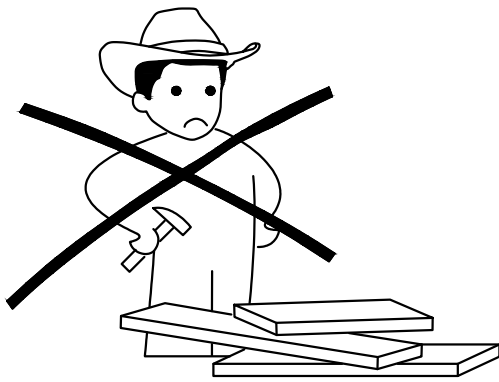
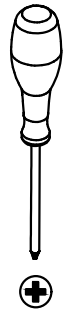
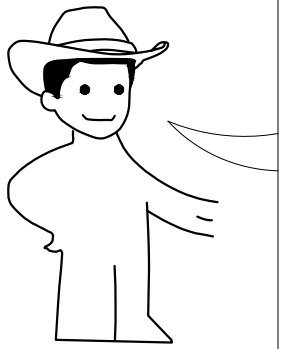
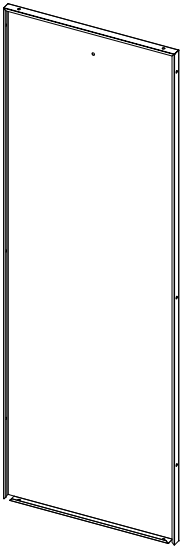


# Installation & Assembly

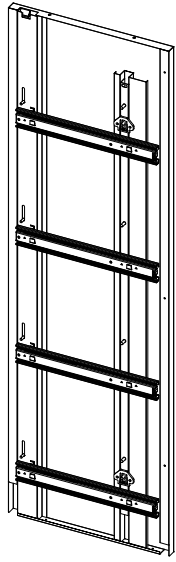




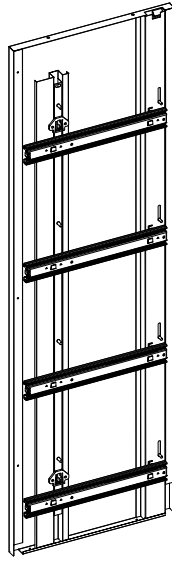
1x2



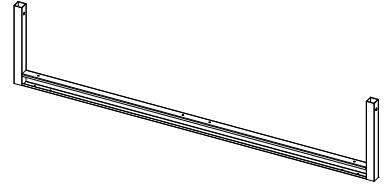
2x1



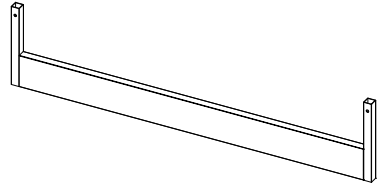
3x1



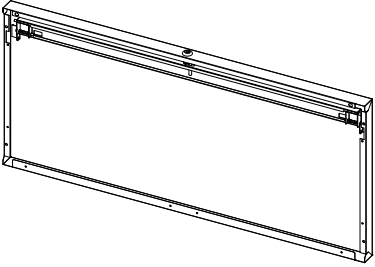
4x1



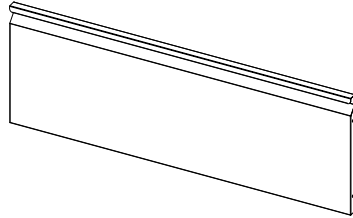
5x1



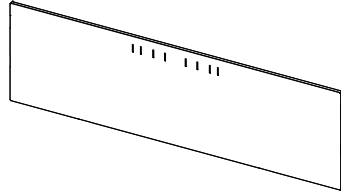
6x1



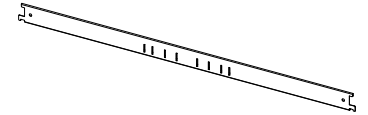
7x4



8x4



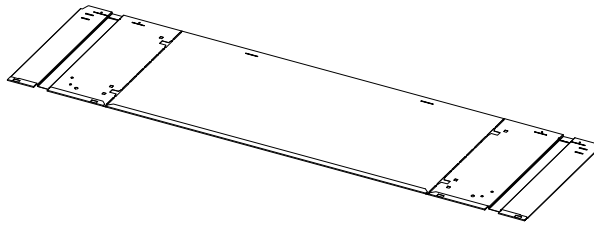
9x4



10x8



11x4



Ax34



M4x 8mm  
0.3inch

Bx16



M4x 16mm  
0.6inch

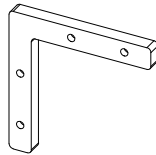
Cx3



Dx3



Ex4



Gx2



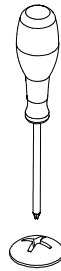
M8

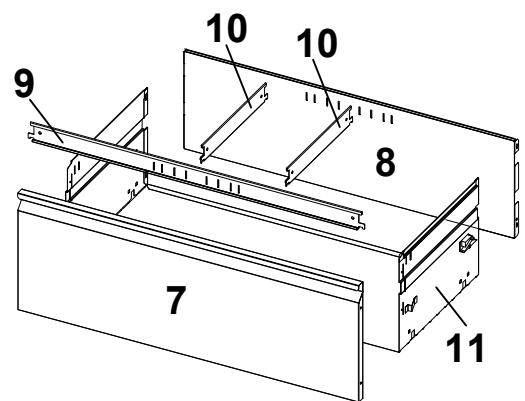
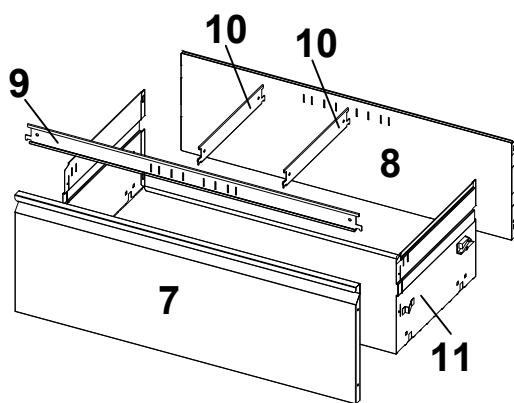
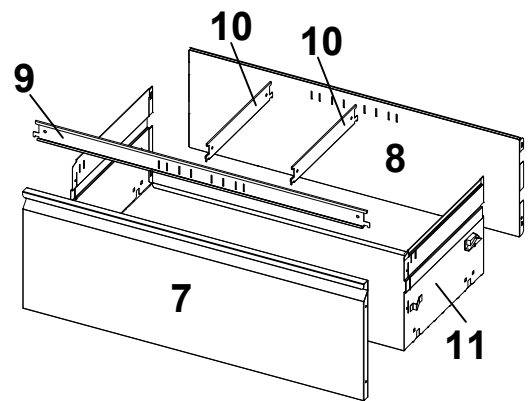
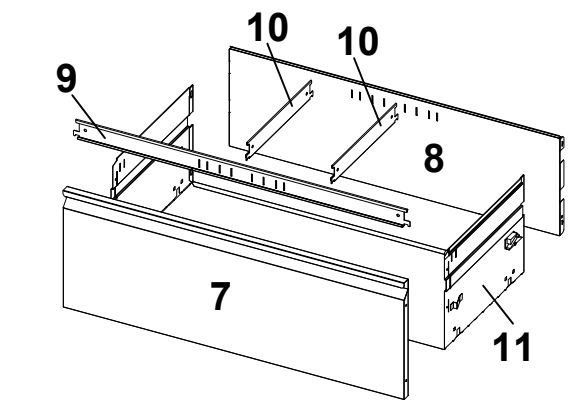
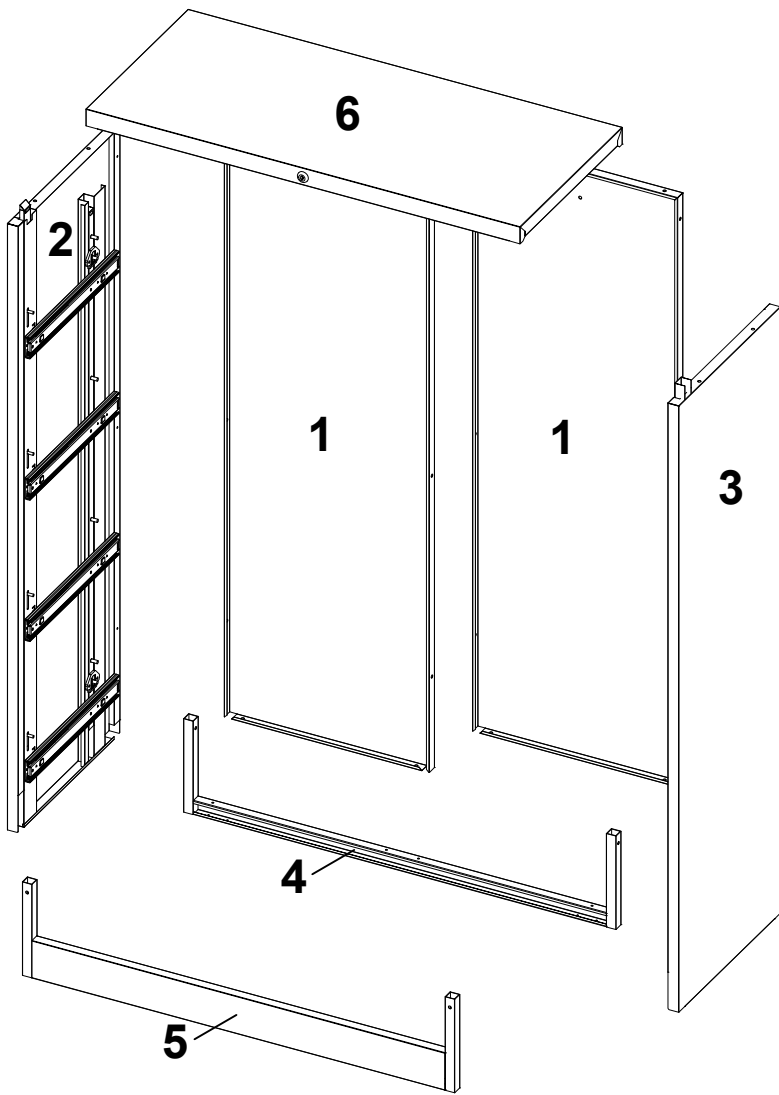


M5x 30mm  
1.18inch



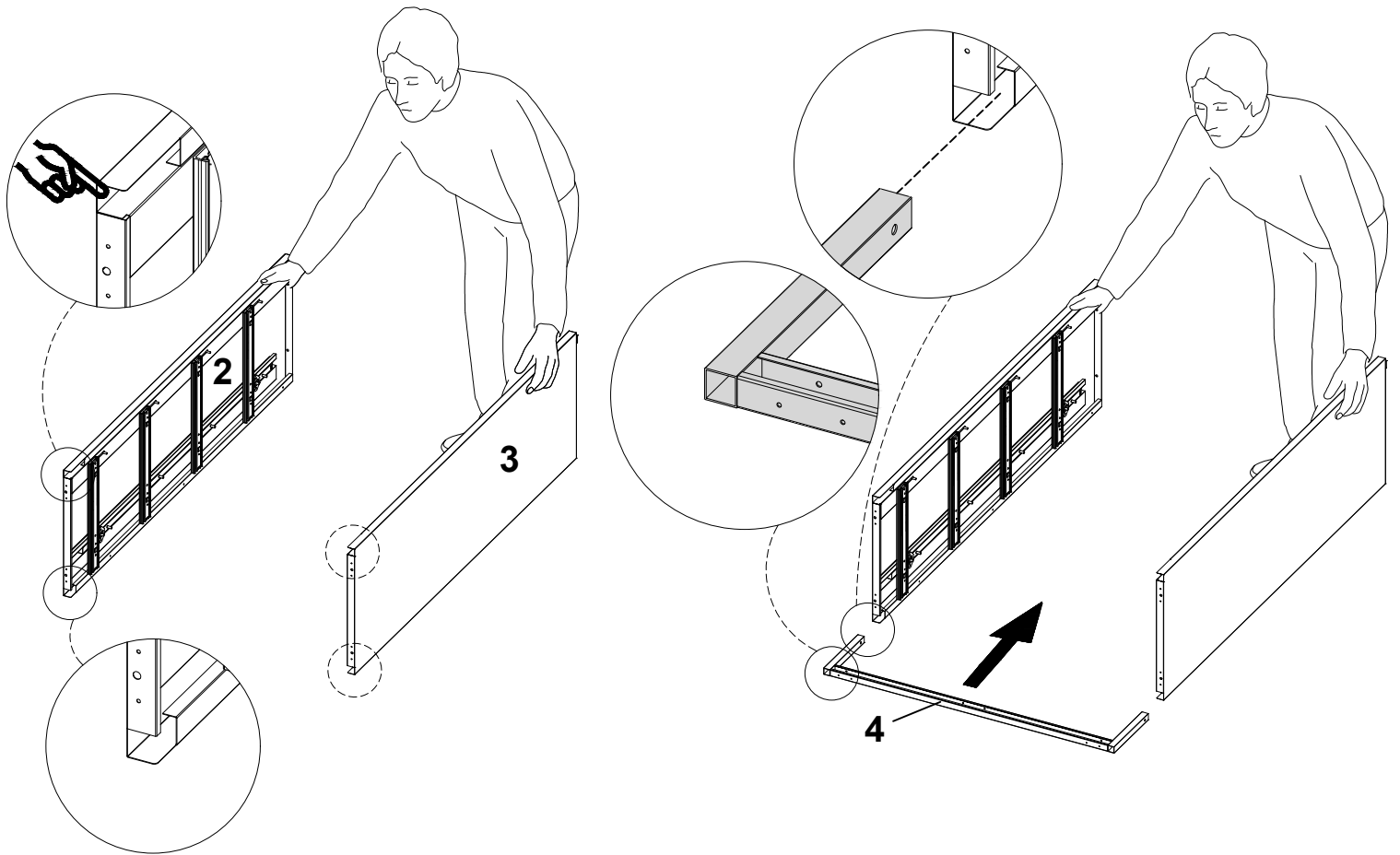
M5





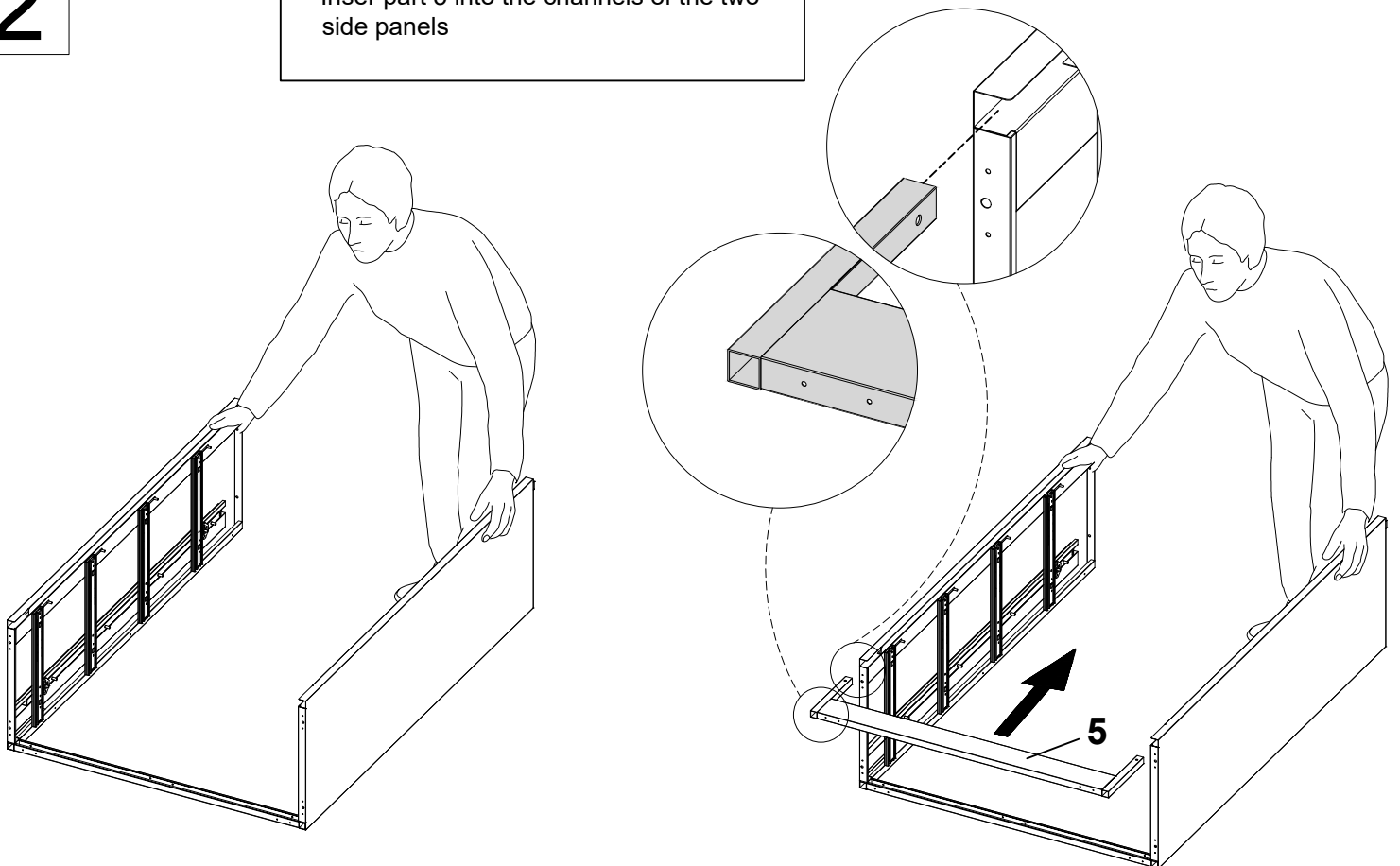
1

Insert part 4 into the channels of the two side panels

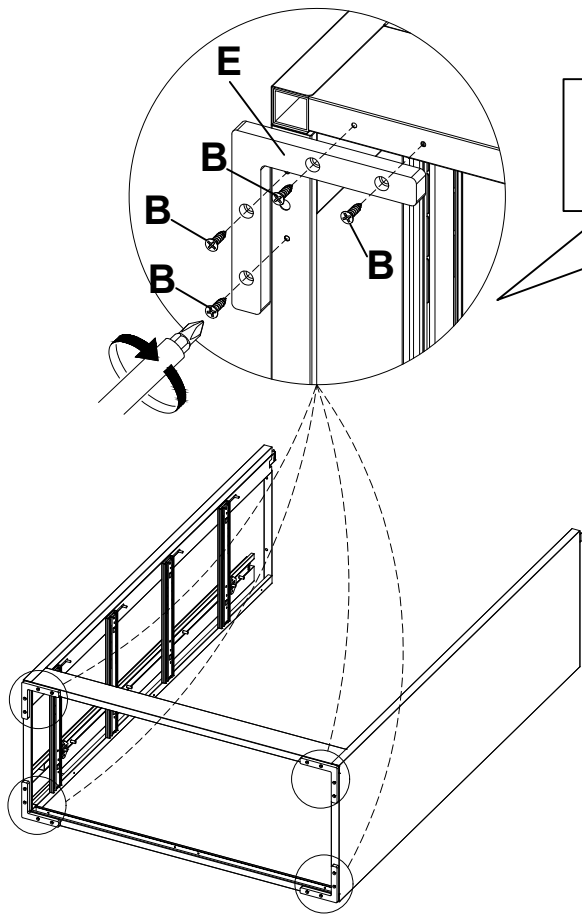


2

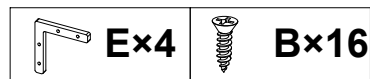
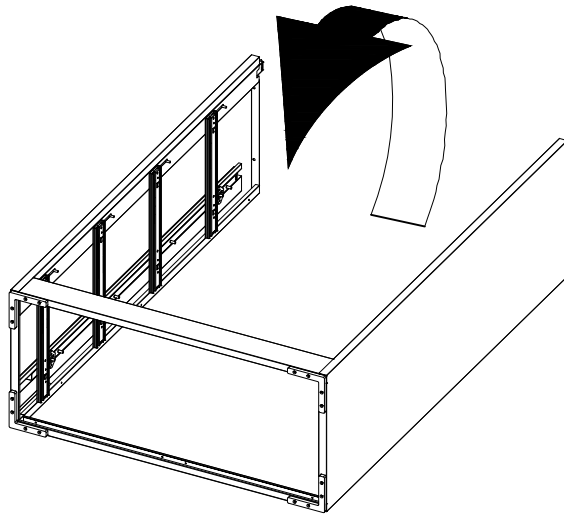
Insert part 5 into the channels of the two side panels



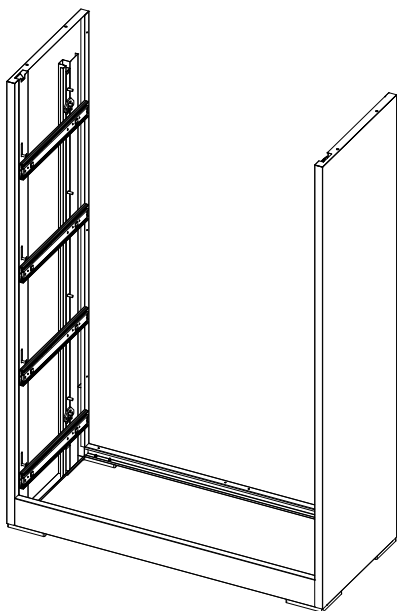
3



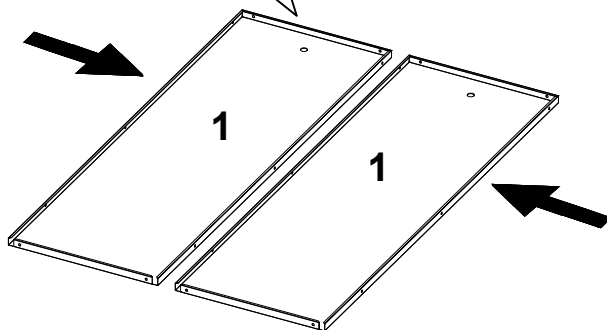
put sixteen screws to hold part E into place.



4

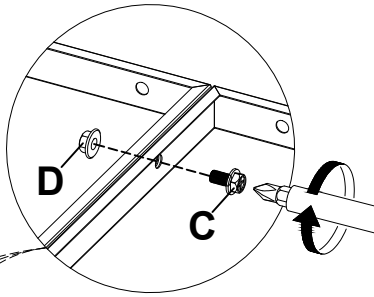


Place part 1 in position as shown in the diagram

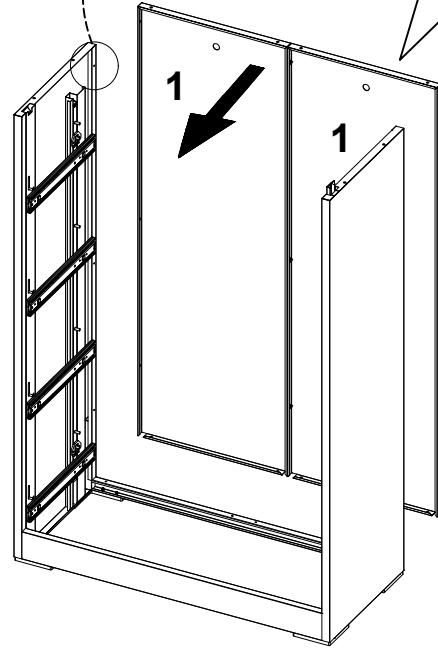
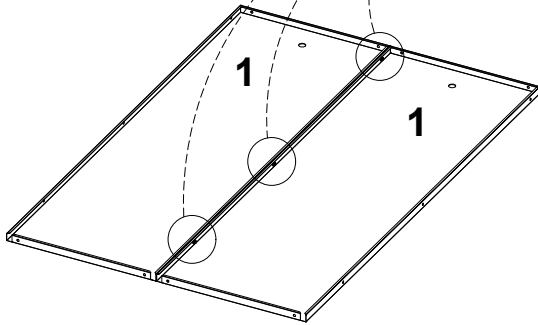
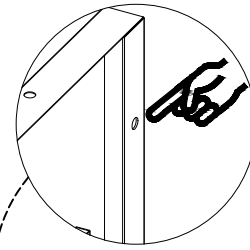


5

put three bolts and nuts to hold them in place



Place part 1 as shown in the figure



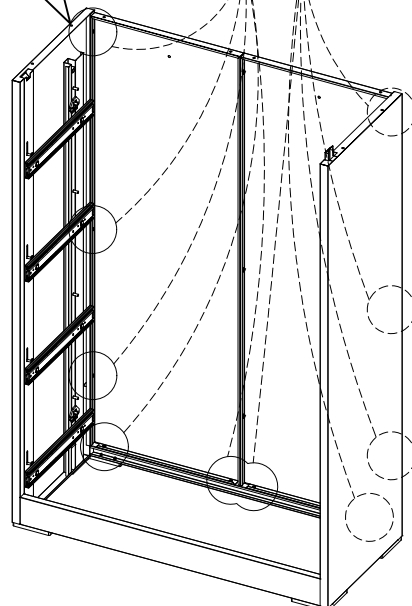
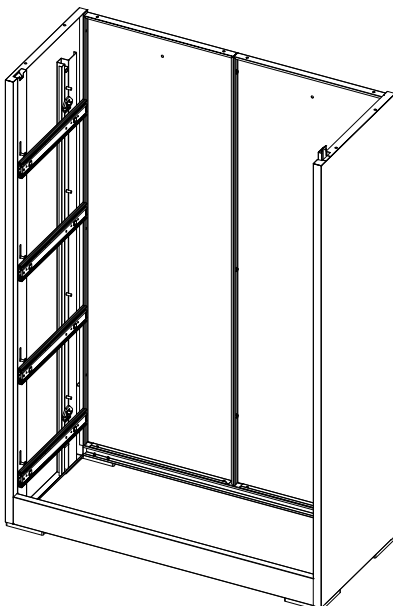
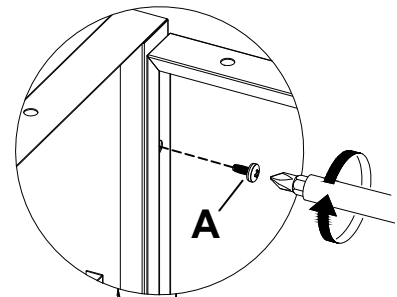
C×3



D×3

6

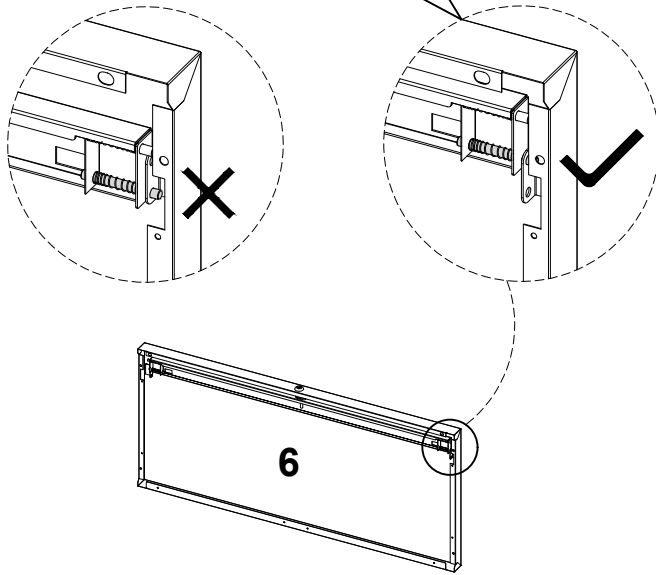
Put ten screws in the holes to make them in place.



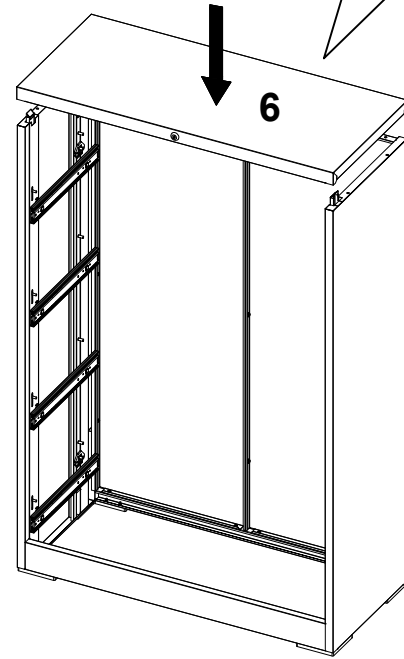
A×10

7

Noted if the spring shaft is right here

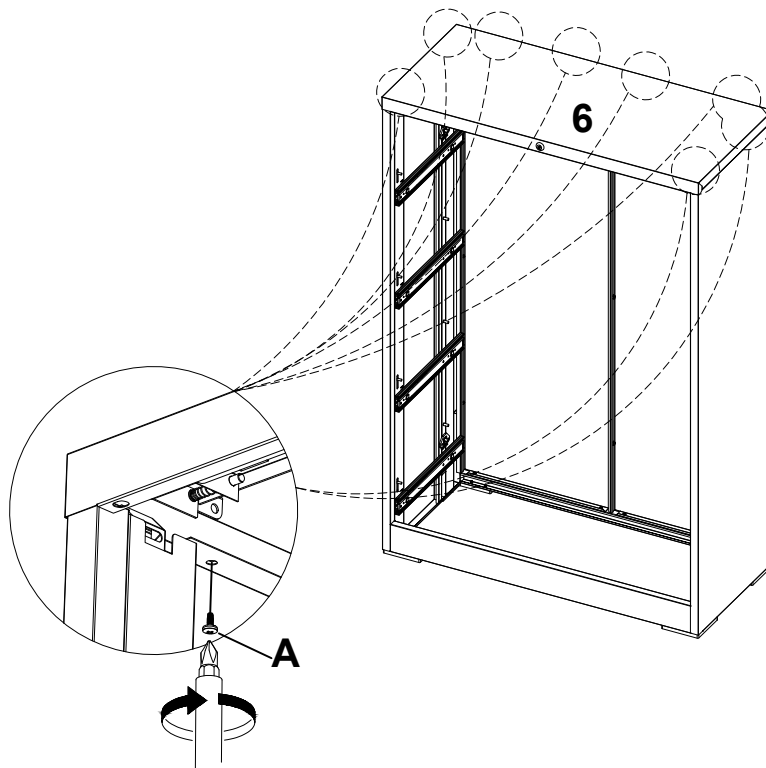


Place part 6 as shown in the figure

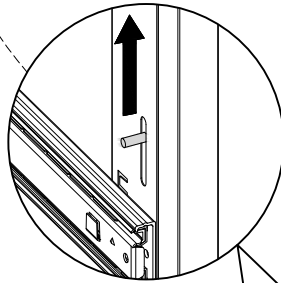
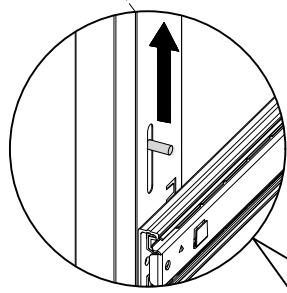
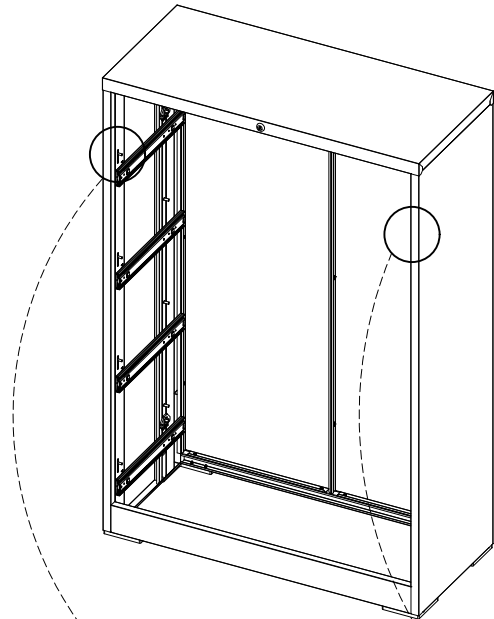


8

put eight screws to hold part 6 into place.

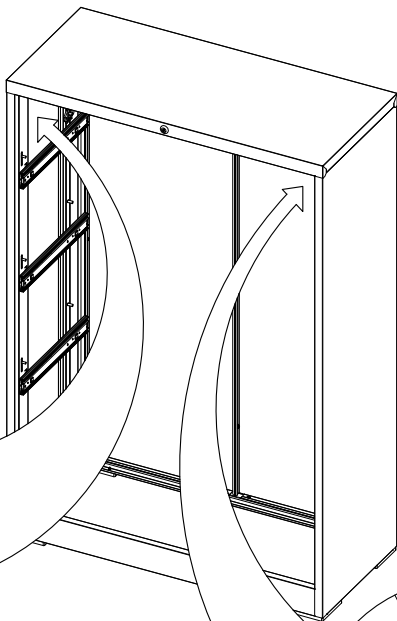
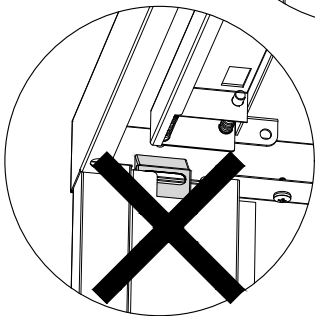
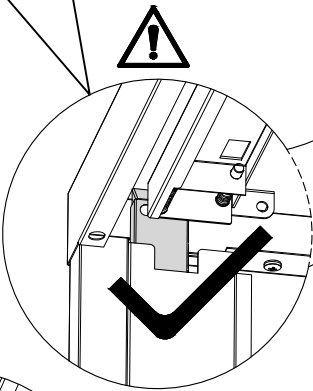


9

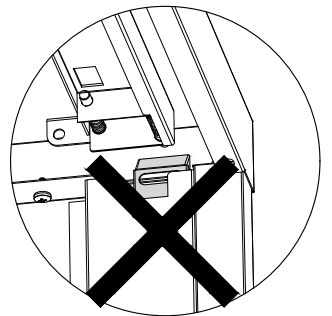
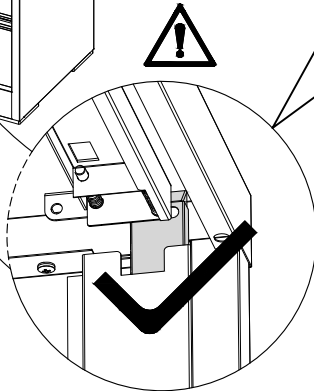


Lift the left and right Locking Rods upwards as shown

Ensure that the spring shaft is inserted into the lock bar hole



Ensure that the spring shaft is inserted into the lock bar hole

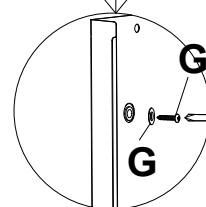
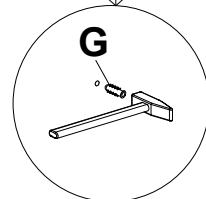
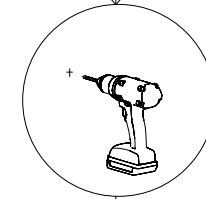
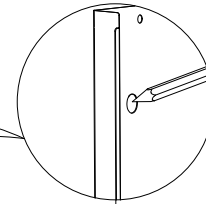
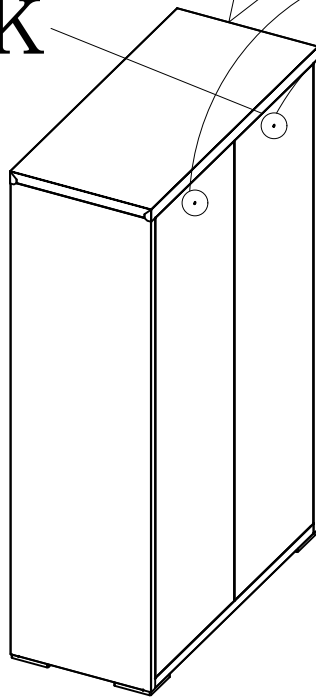


10



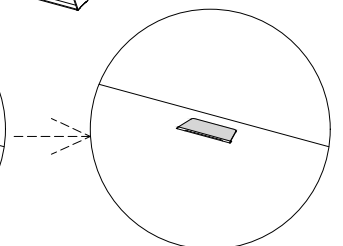
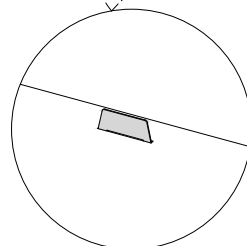
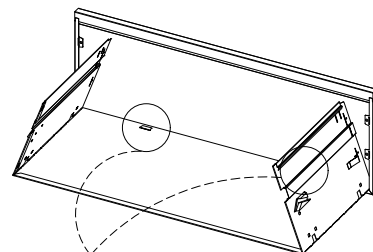
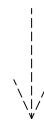
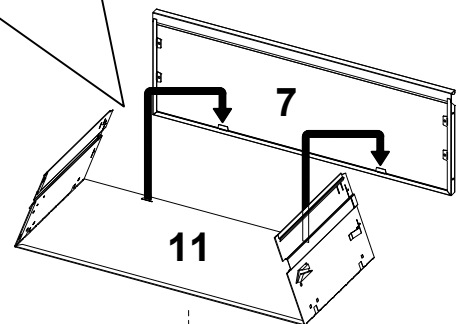
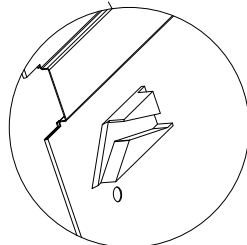
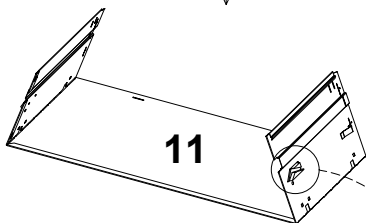
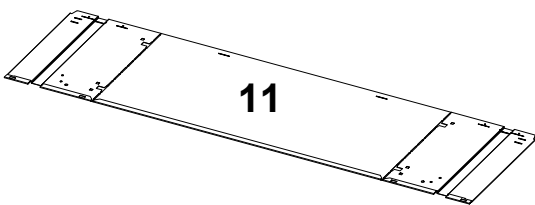
This step is to connect the cabinet to the wall, if you do not need to ignore it

back

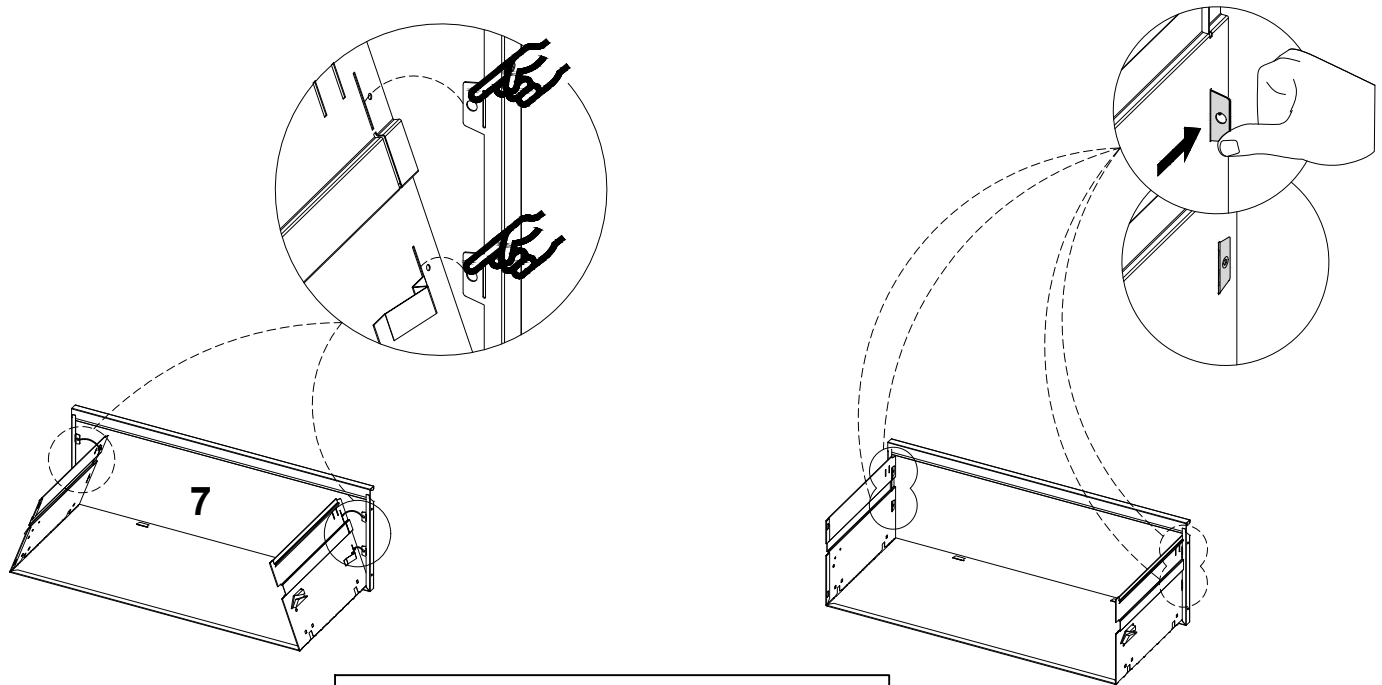


11

Insert the tabs at the bottom of the drawer faces 7 into the drawer body 11 and bend the tabs



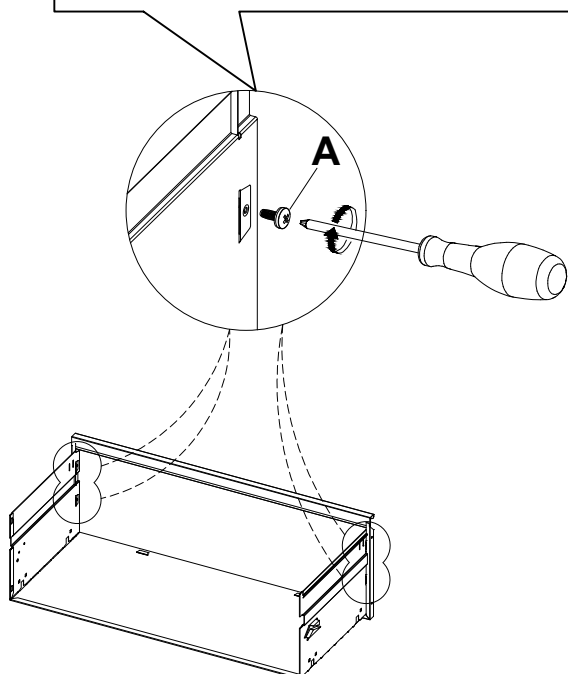
# 12



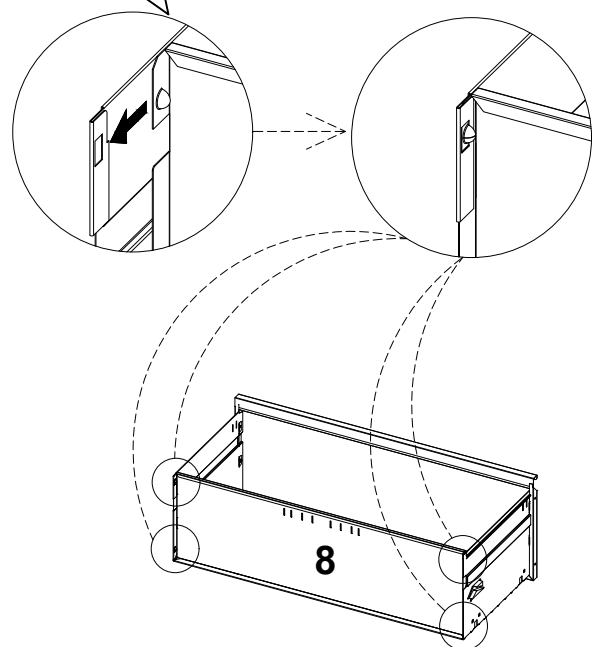
Bend the tabs on the drawer faces.

# 13

Put four screws to hold them in place

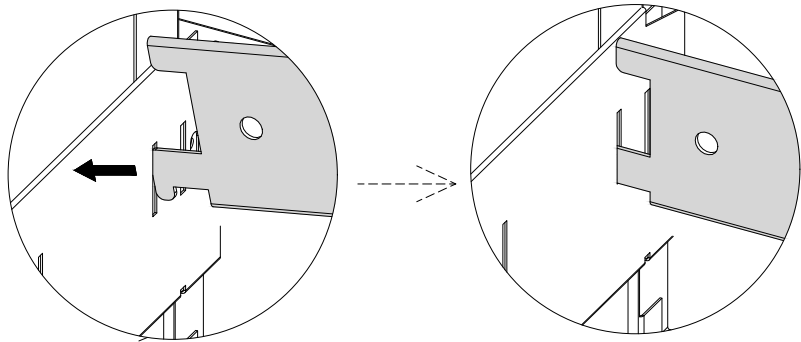


Make sure that the little bits protruding from part 8 are all inserted.  
Note that the slots on the back wall of the drawer should face up.

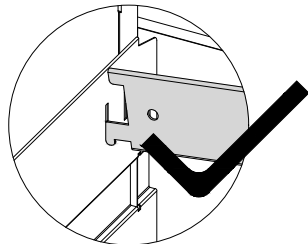
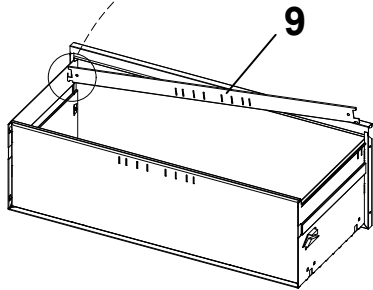


 A×16

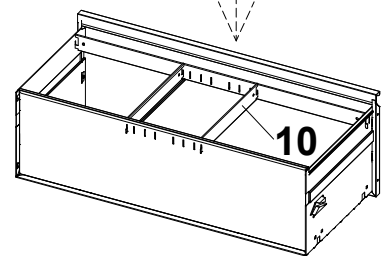
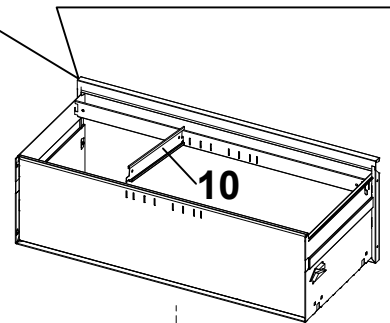
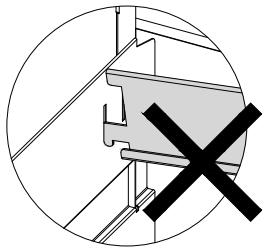
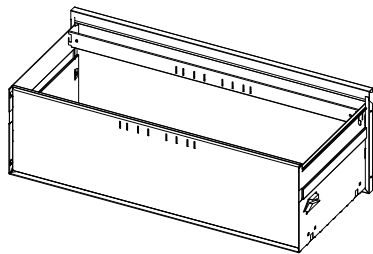
14



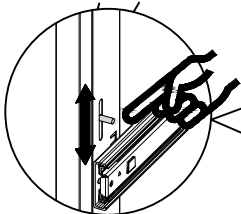
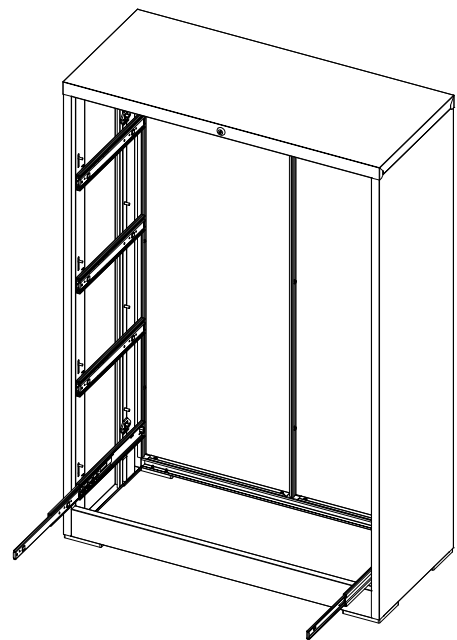
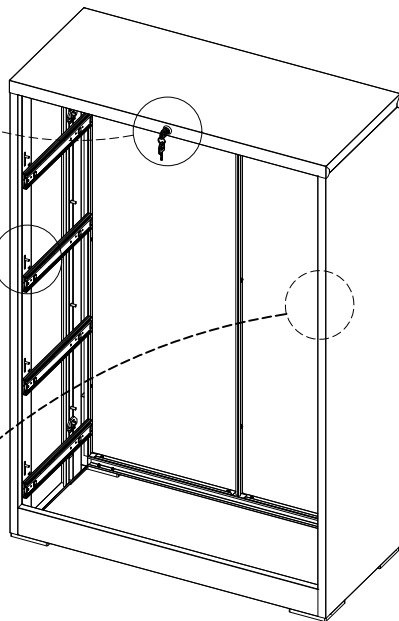
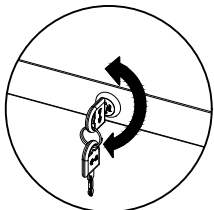
the file hanging bar can be put inside.



Choose the suitable hole according to the size of the folder

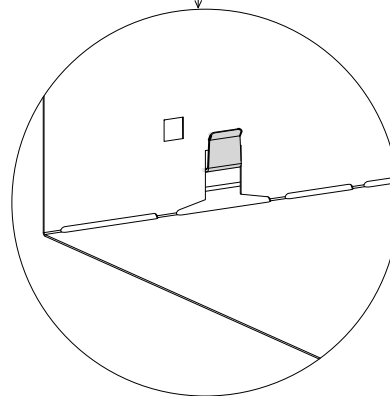
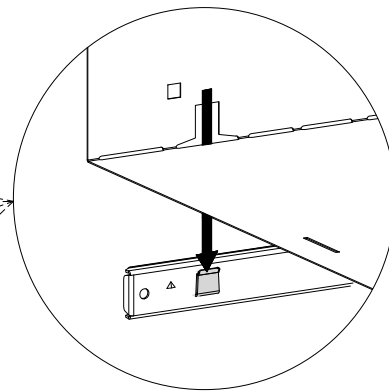
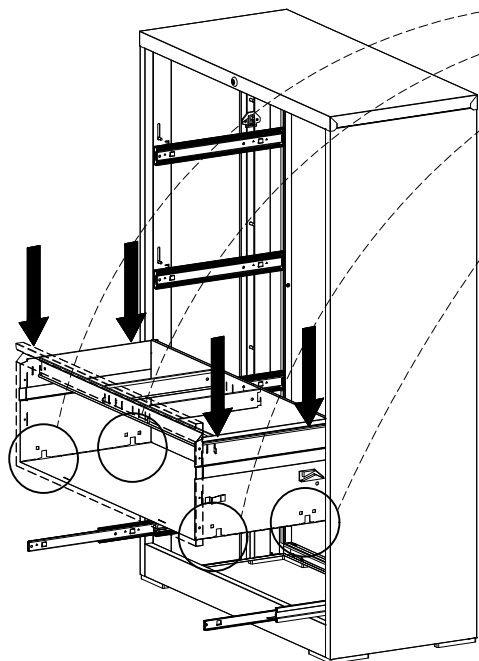


15

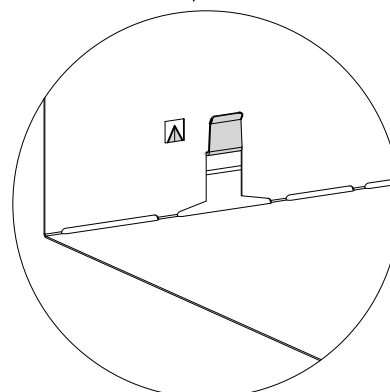
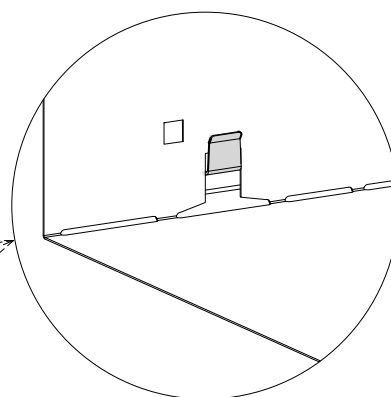
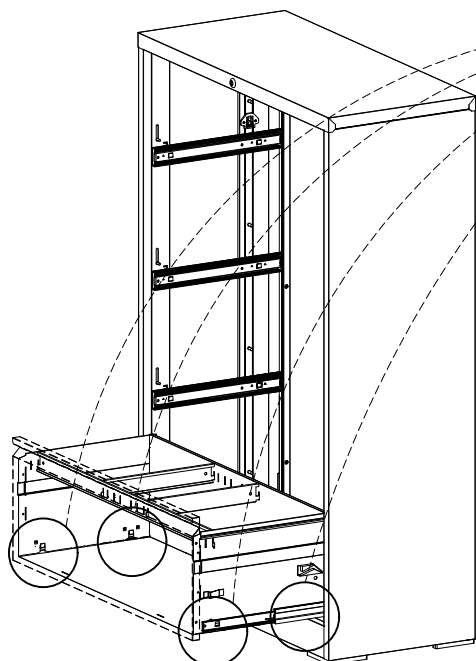


Note: Whether the lock can be moved up and down while rotating the lock. If not, please follow step 9 again.

1. pull out the small rails in the slide rails on the side walls completely.  
with two people lifting each side of the drawer, align the four divots on the bottom with the two rail clips on the rails on each side and insert them into the rail clips.



2. After placing the drawer on the rail, press the drawer base down hard enough, paying attention to check the position of the four clips inside until you hear a click four times, which means the drawer is in place



17

