










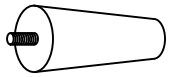
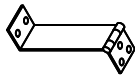


PARTS LIST

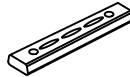
										
a=4pcs M6*15	b=6pcs M6*20	c=13pcs M6*35	d=2pcs M6*60	e=8pcs M8*35	f=4pcs M8*50	g=2pcs M6	h=4pcs M8*22	i=1pc 4MM	j=1pc 5MM	k=1pc 10MM



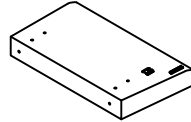
A=6pcs



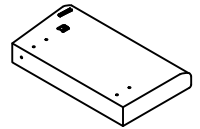
B=3pcs



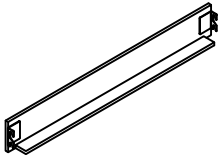
C=2pcs



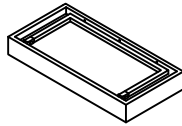
D=1pc



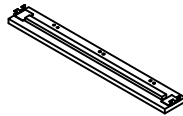
E=1pc



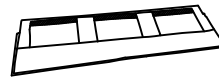
F=1pc



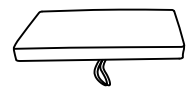
G=1pc



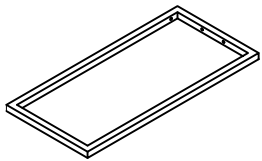
H=1pc



I=1pc



J=1pc



K=2pcs

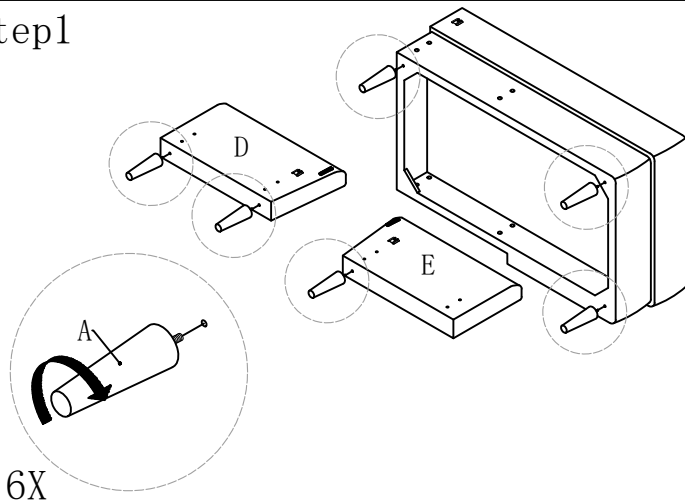


L=2pcs

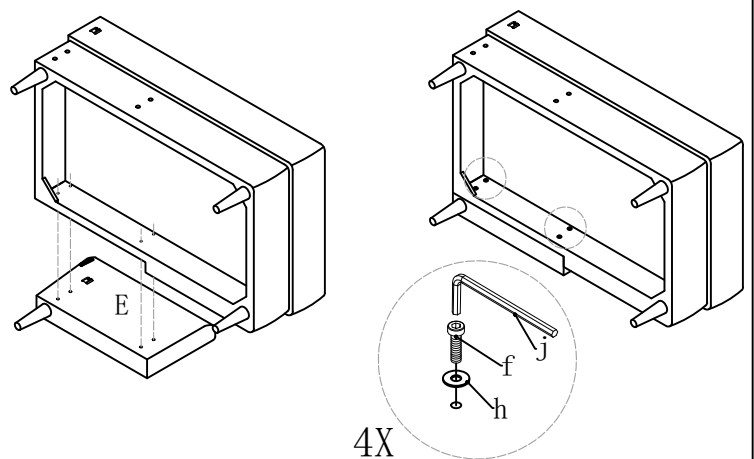


M=3pcs

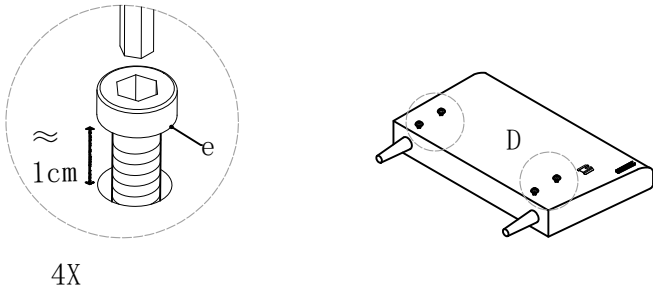
step1



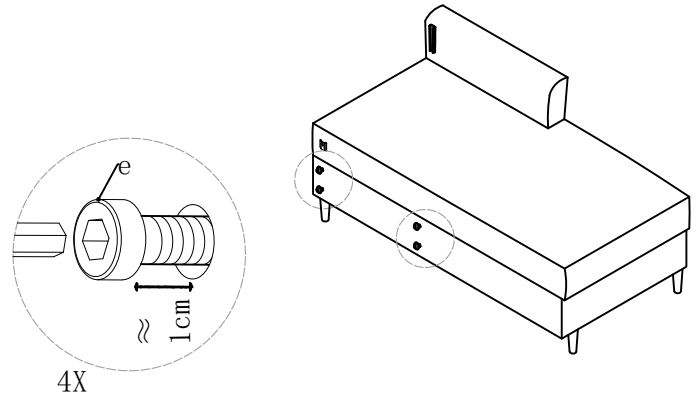
step2



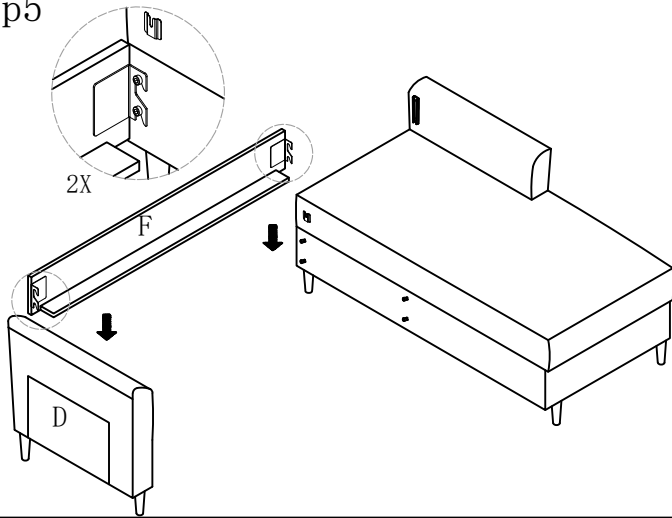
step3



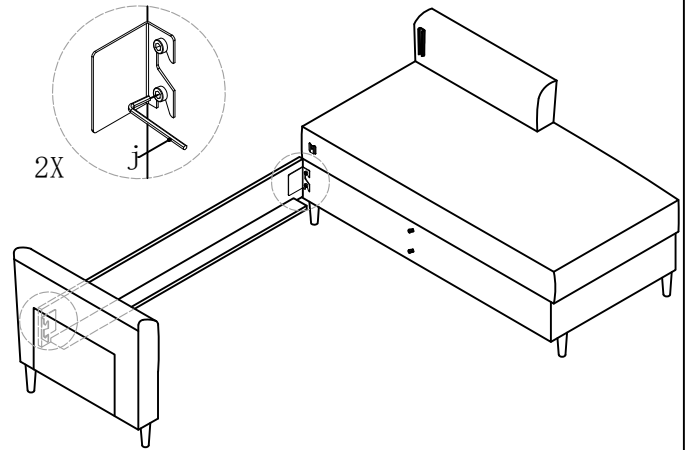
step4



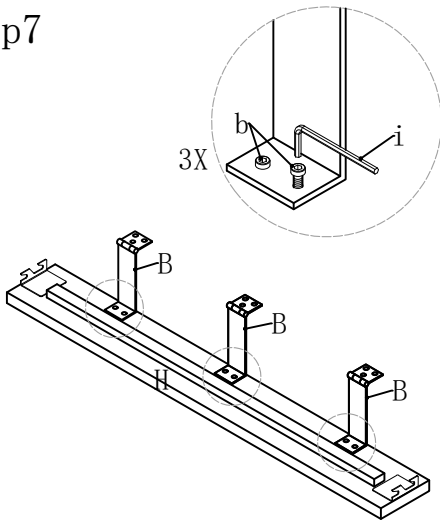
step5



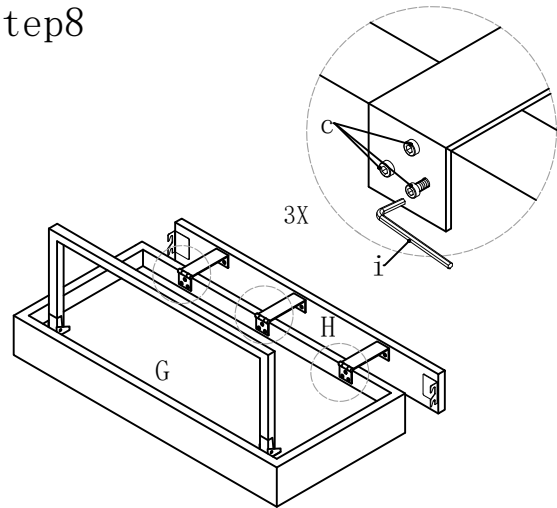
step6



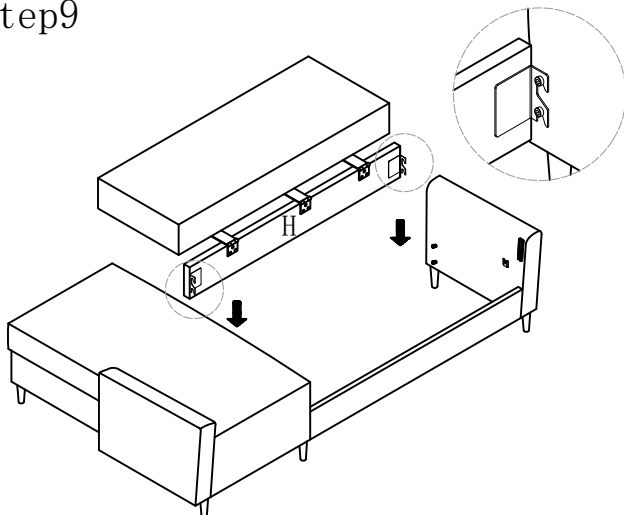
step7



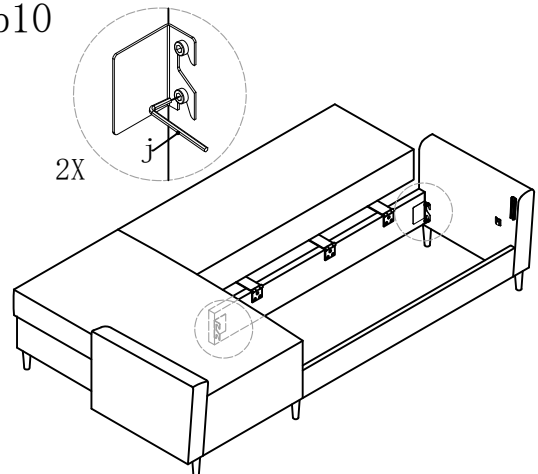
step8



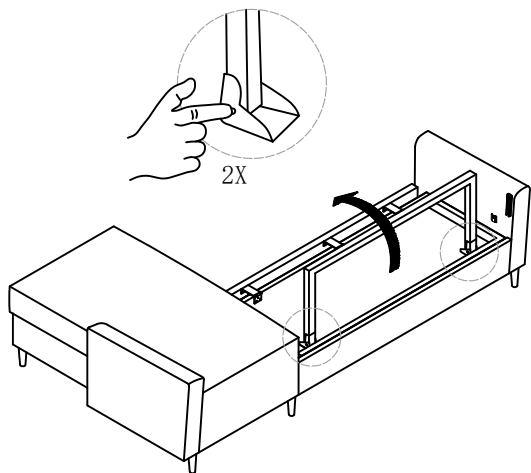
step9



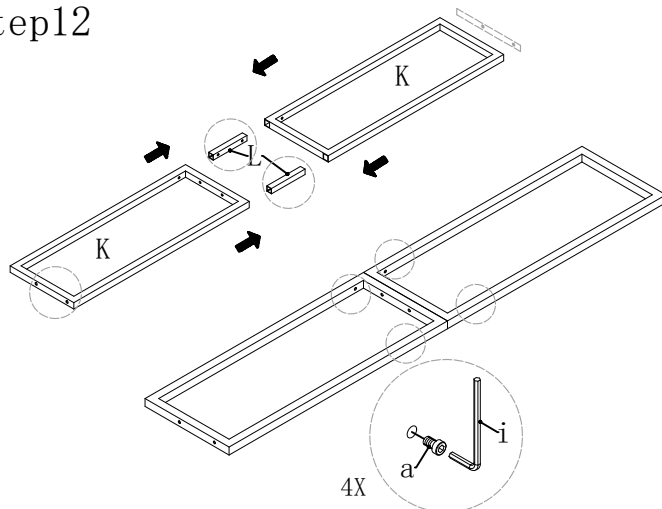
step10



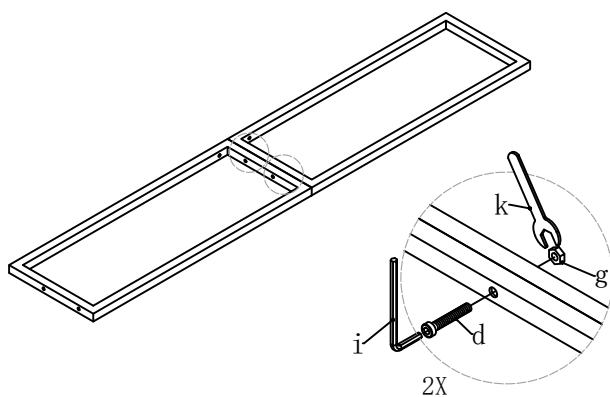
step11



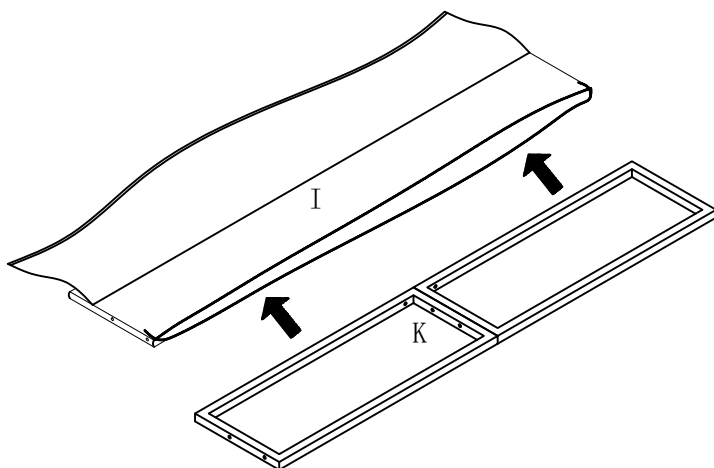
step12



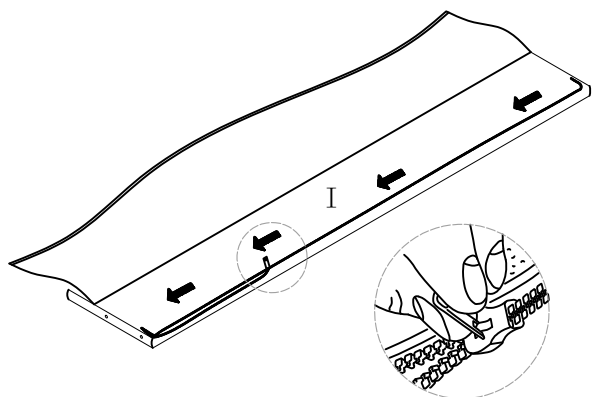
step13



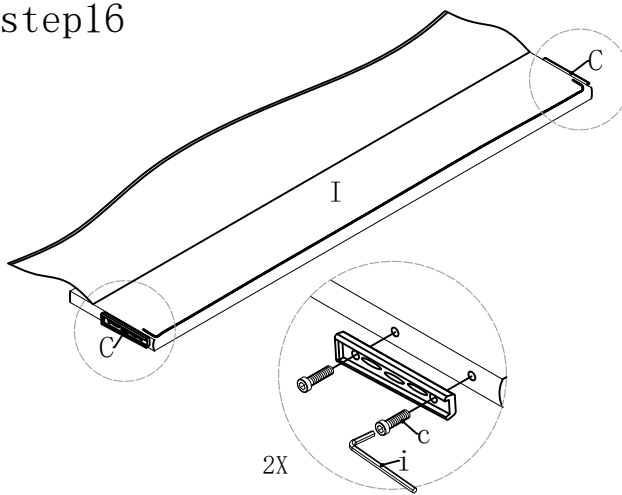
step14



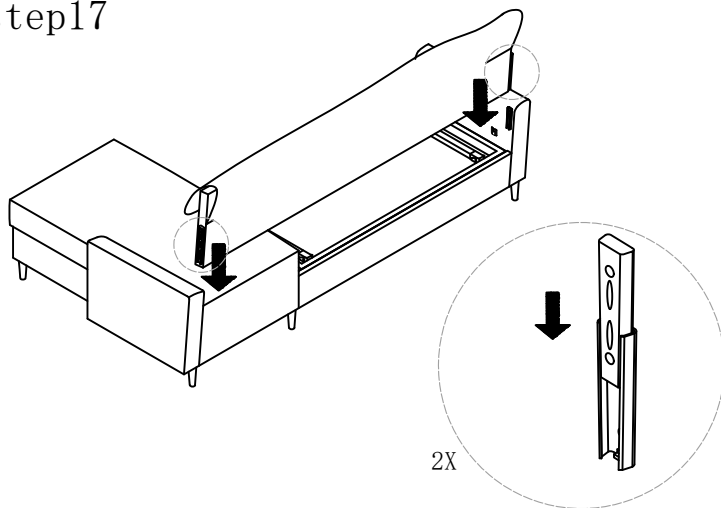
step15



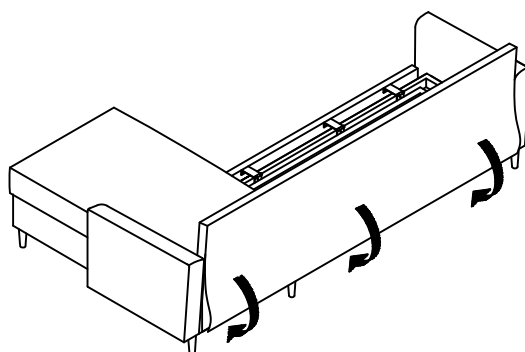
step16



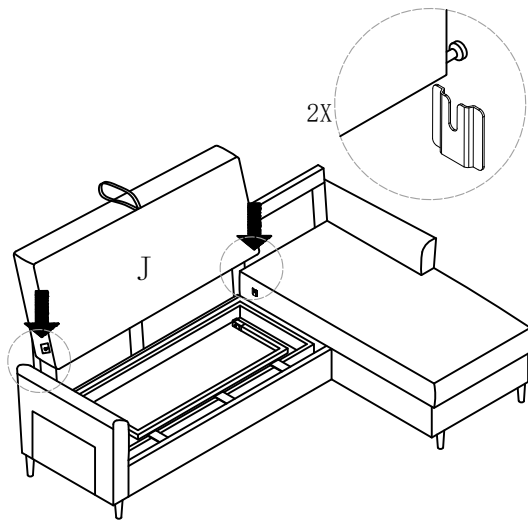
step17



step18



step19



step20

