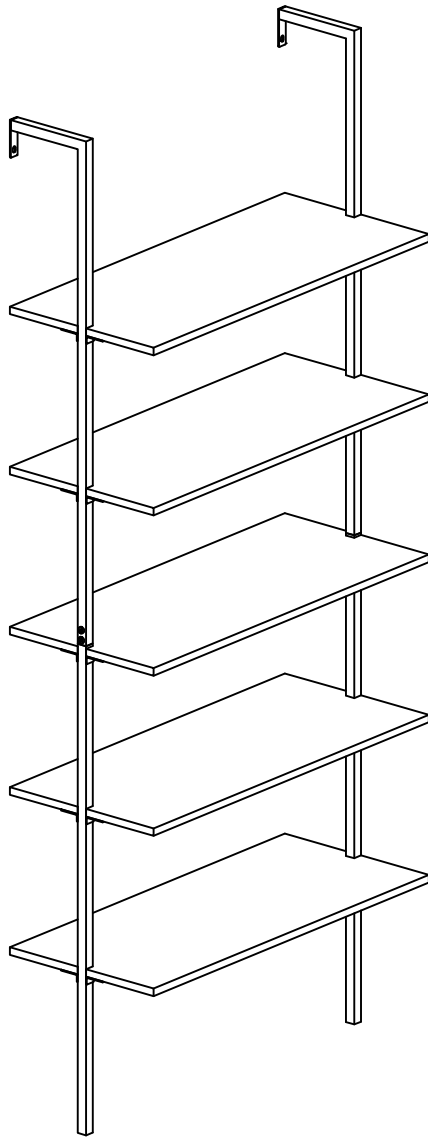
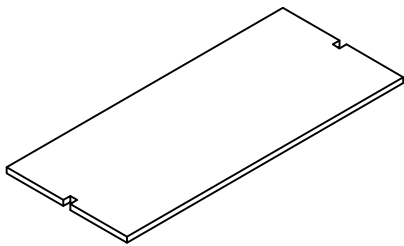


ASSEMBLY INSTRUCTION

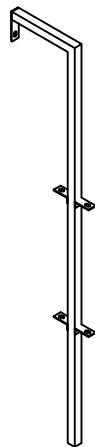


A



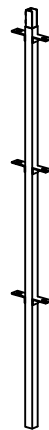
5 PCS

B



2 PCS

C



2 PCS

①

x 24+1



M6 x 12mm

②

x 2+1



③

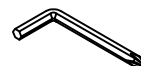
x 2+1



Ø4 x 25mm

④

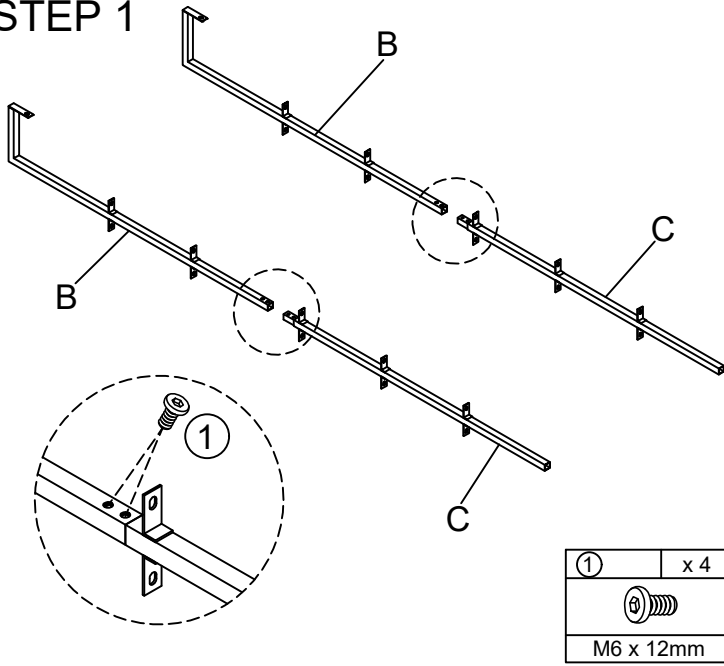
x 1



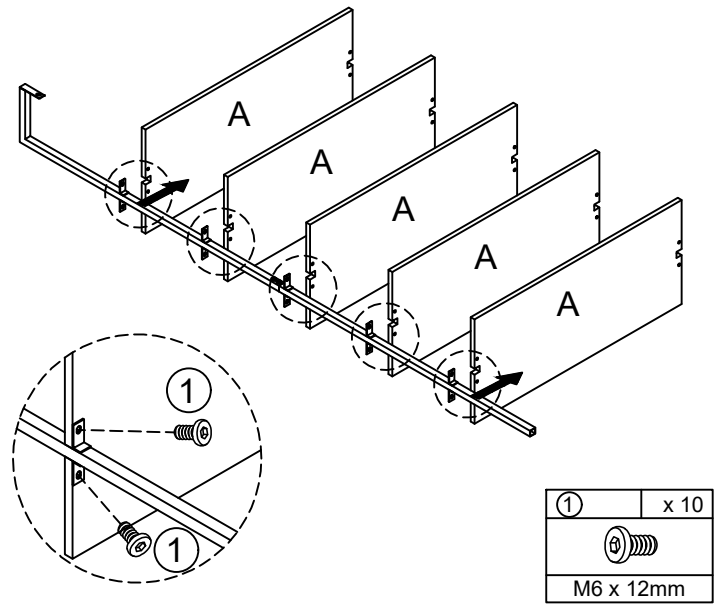
S4

ASSEMBLY INSTRUCTION

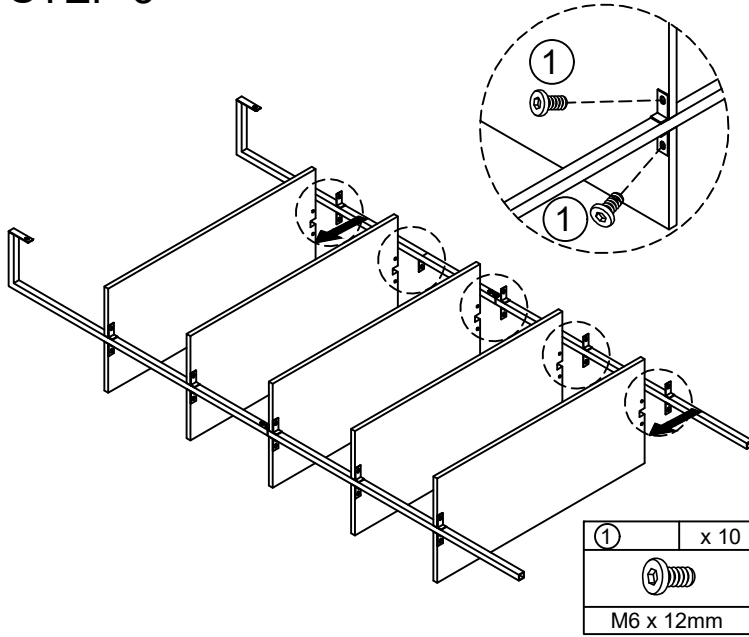
STEP 1



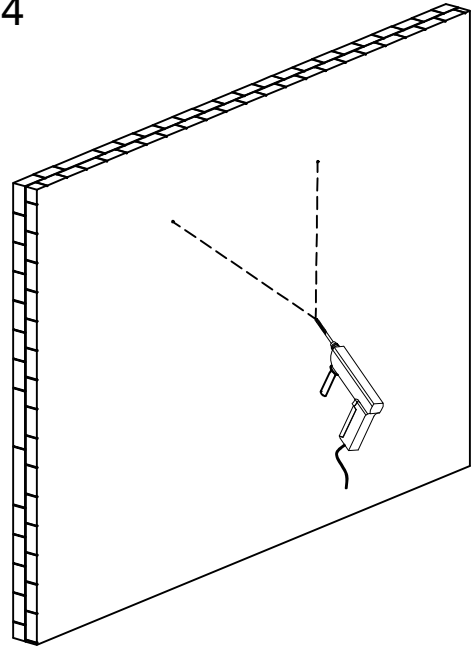
STEP 2



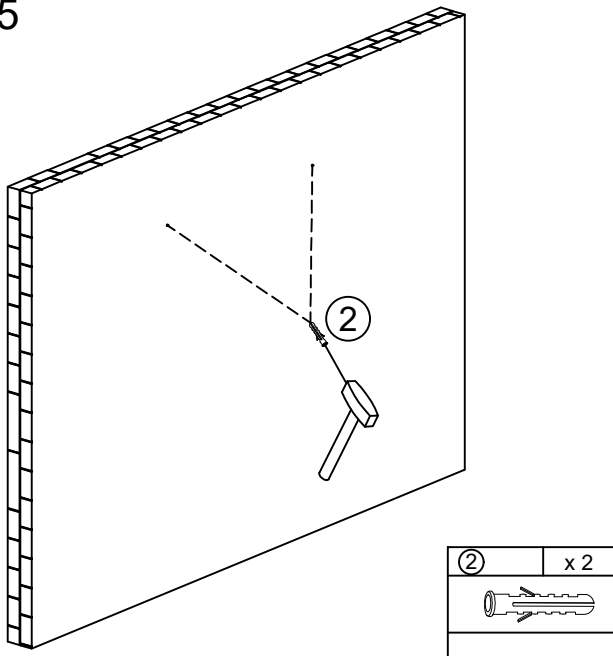
STEP 3



STEP 4



STEP 5



STEP 6

