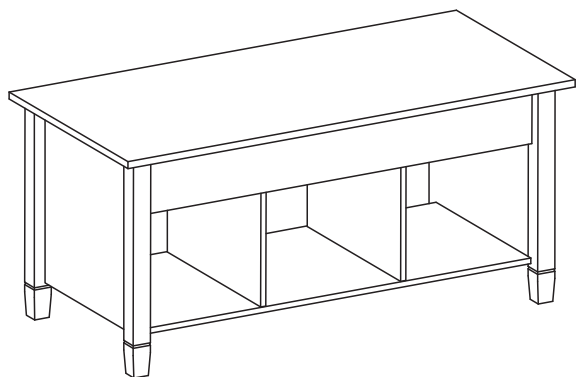


# COFFEE TABLE

## Assembly Instructions

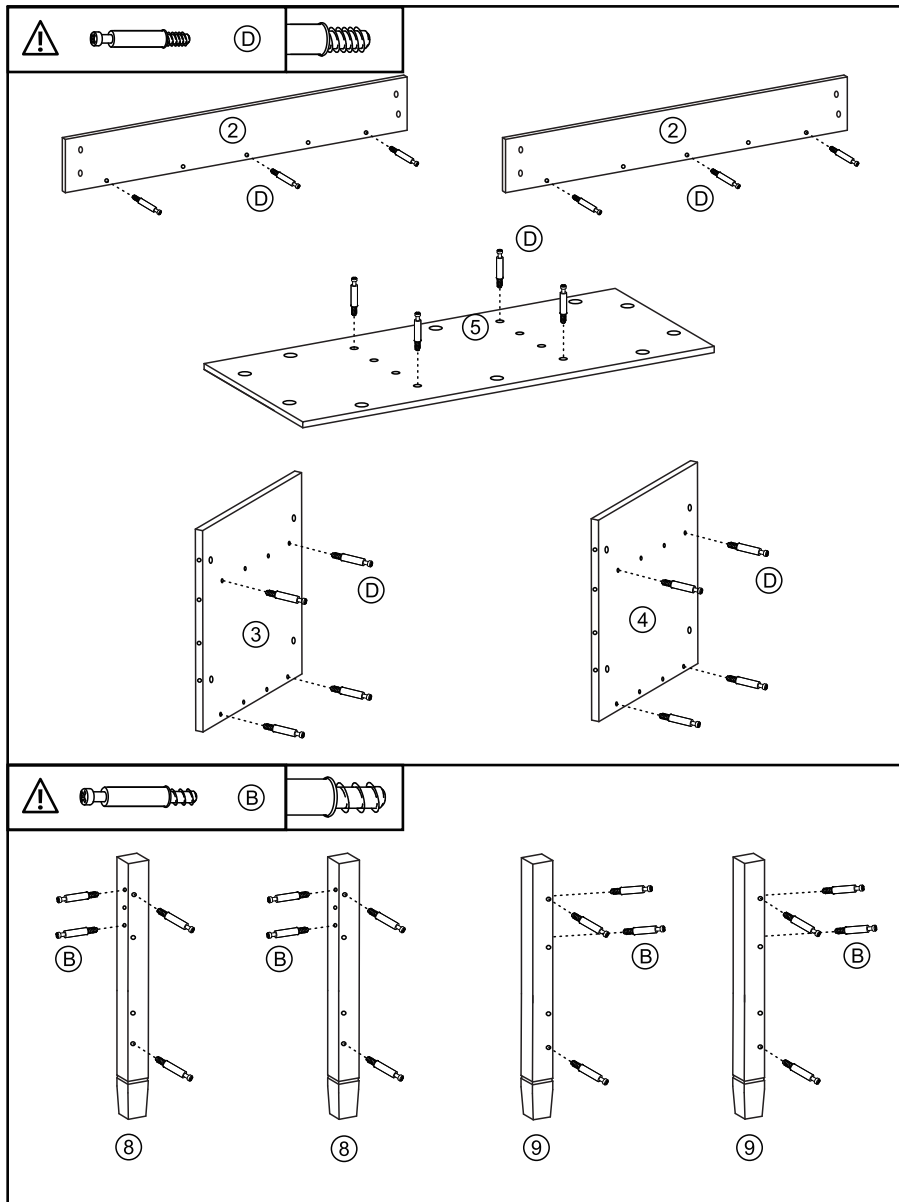


### PARTS LIST

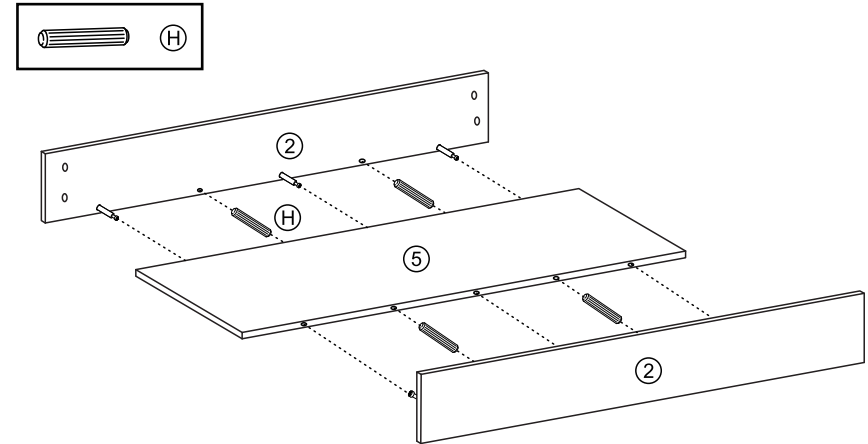
① × 1 	② × 2 	③ × 1 		
④ × 1 	⑤ × 1 	⑥ × 2 		
⑦ × 1 	⑧ × 2 	⑨ × 2 		
A × 4 	B × 16 	C × 16  H: 11MM	D × 18 	E × 18  H: 9.5MM
F × 2  F1 F2	G × 24 	H × 32 	I × 4 	

# ASSEMBLY INSTRUCTION

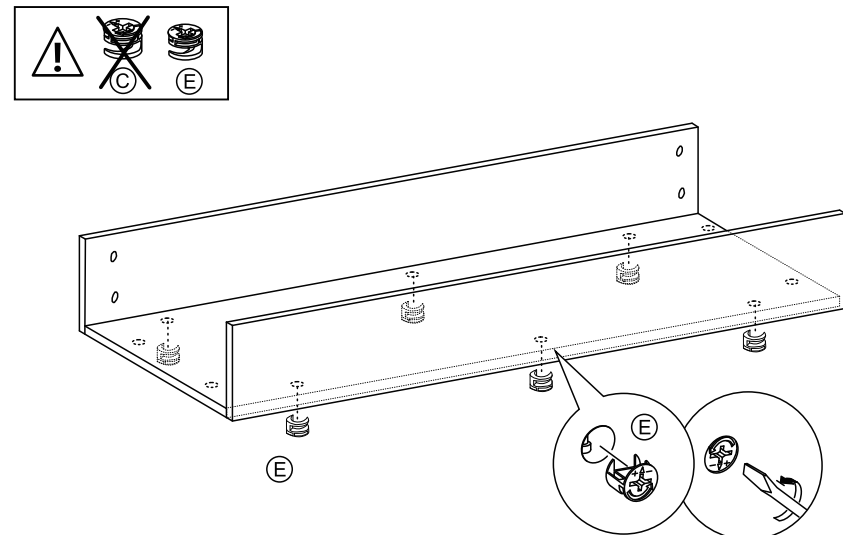
## Step 1



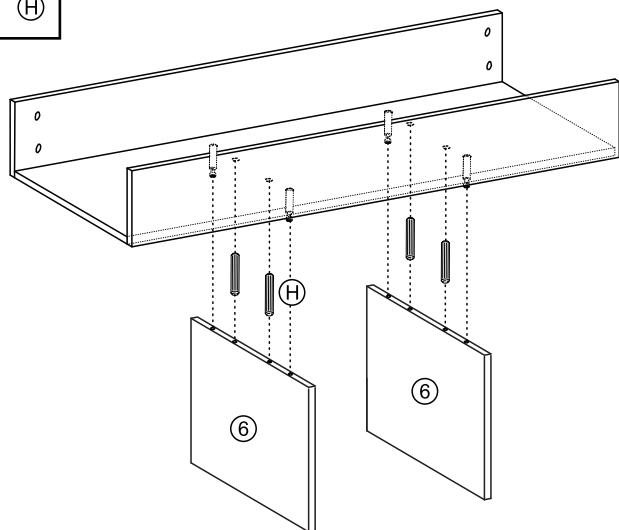
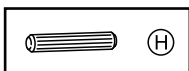
## Step 2



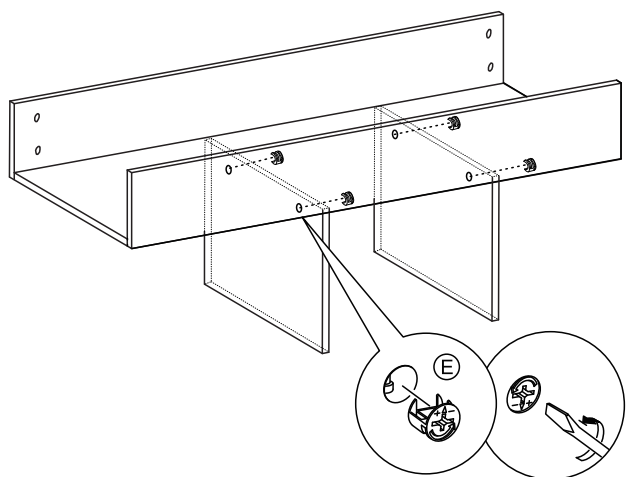
## Step 3



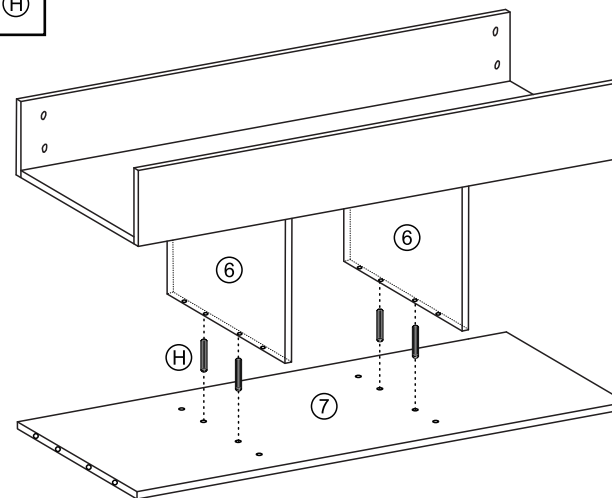
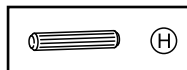
Step 4



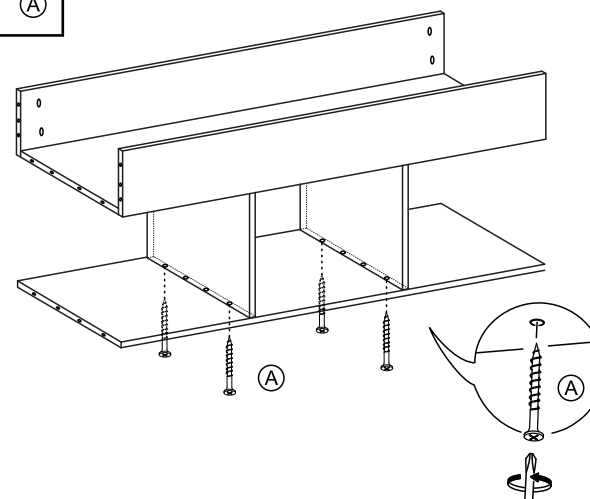
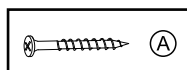
Step 5



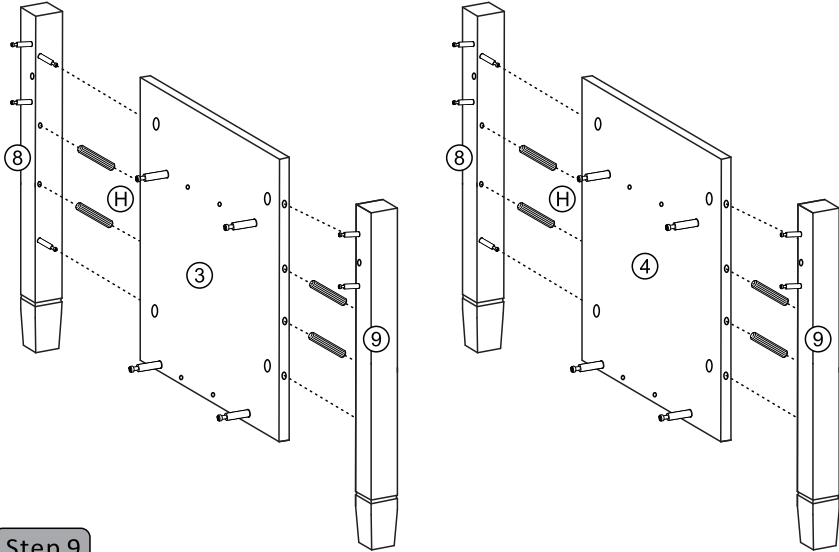
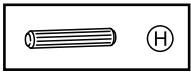
Step 6



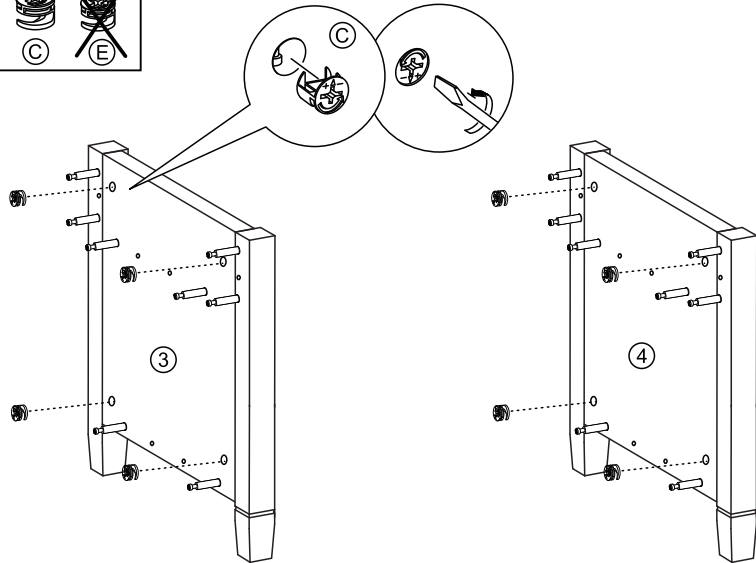
Step 7



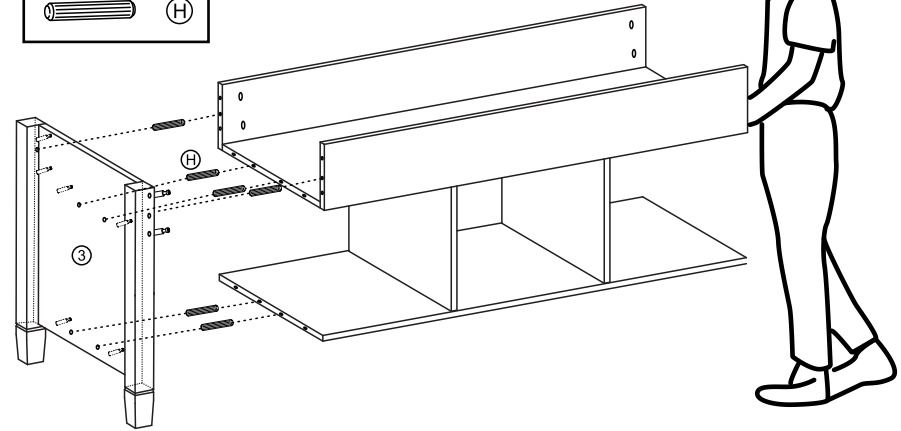
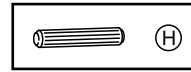
Step 8



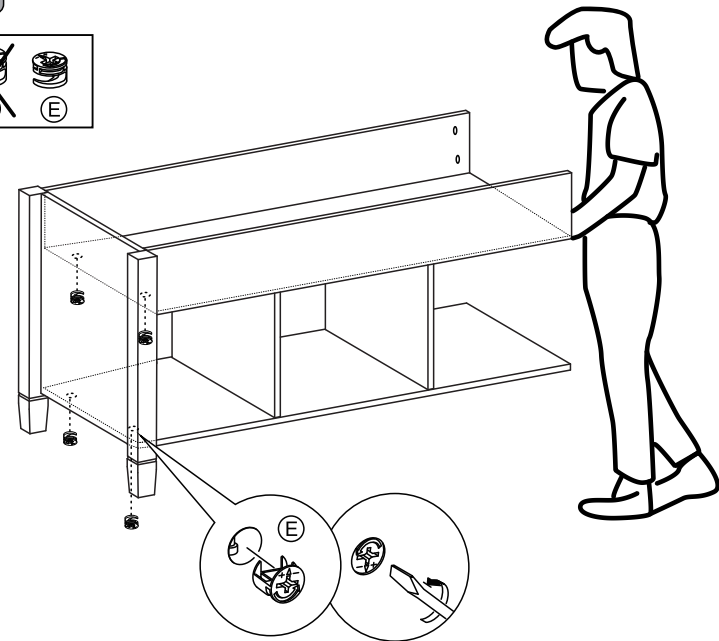
Step 9



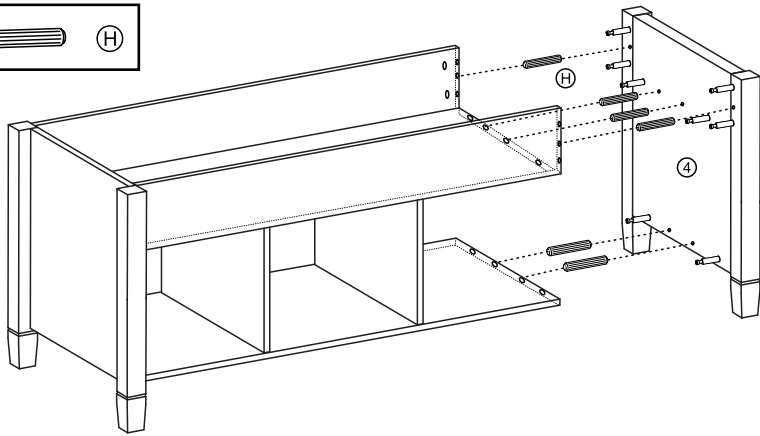
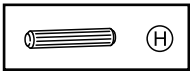
Step 10



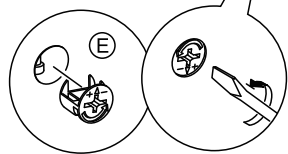
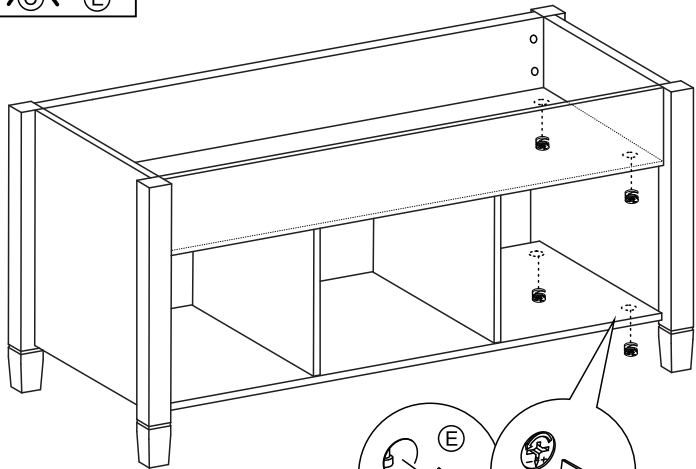
Step 11



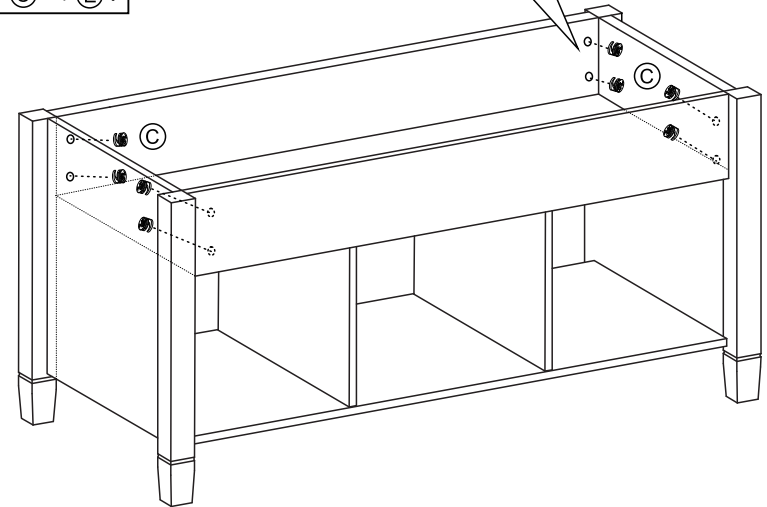
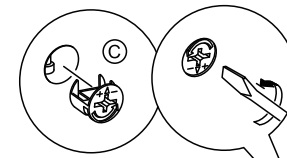
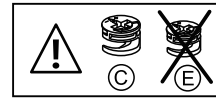
Step 12



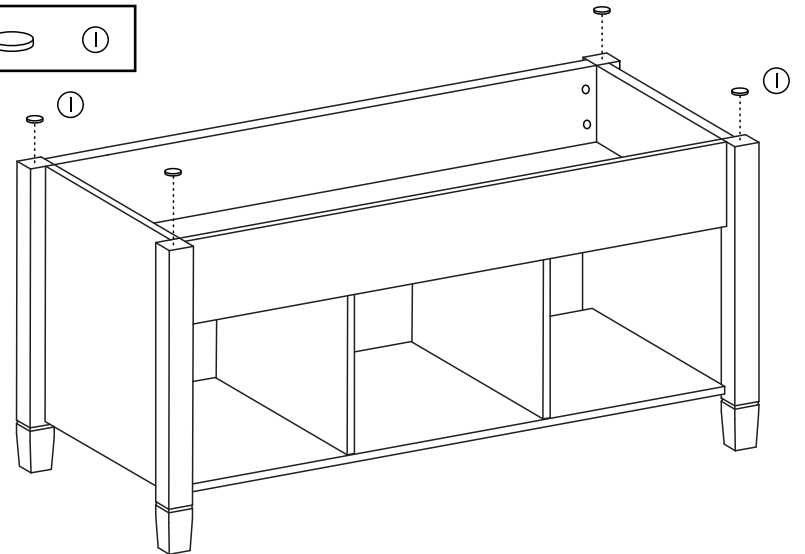
Step 13



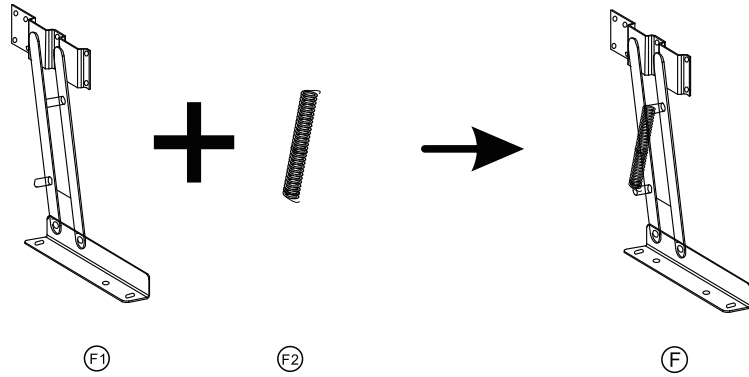
Step 14



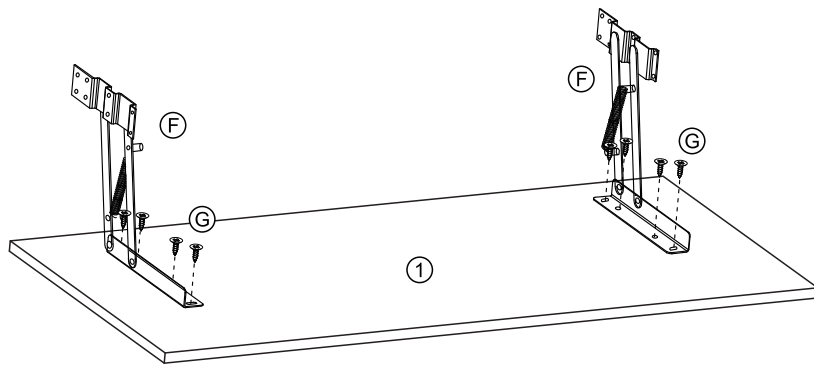
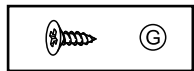
Step 15



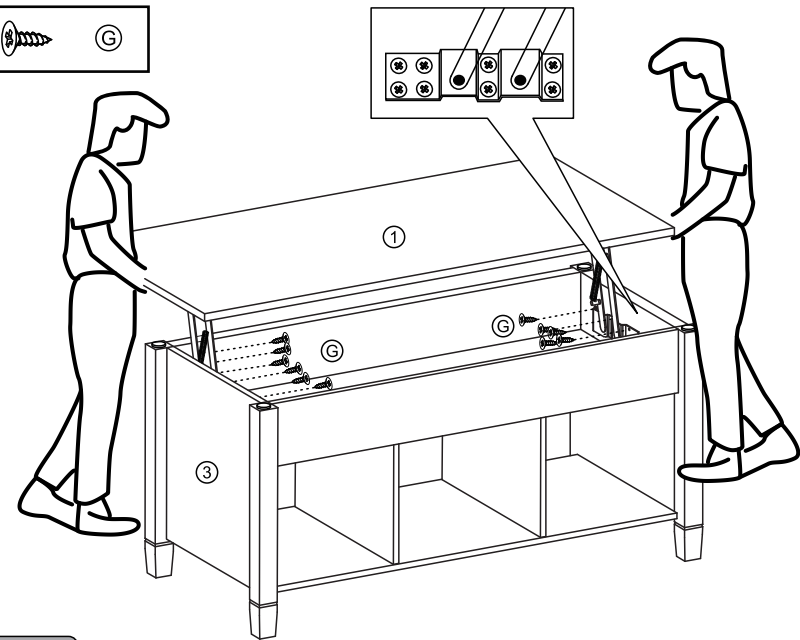
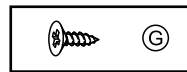
Step 16



Step 17



Step 18



Step 19

