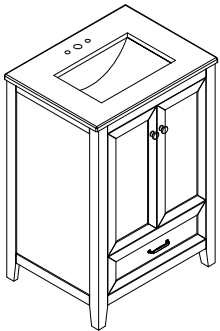


User's Manual

Thank you for purchasing this quality Product. Be sure to check all packing material carefully for small parts, which may have come loose inside carton during shipment. Identify and count all parts and compare with the parts list below.



ASSEMBLY INSTRUCTION:

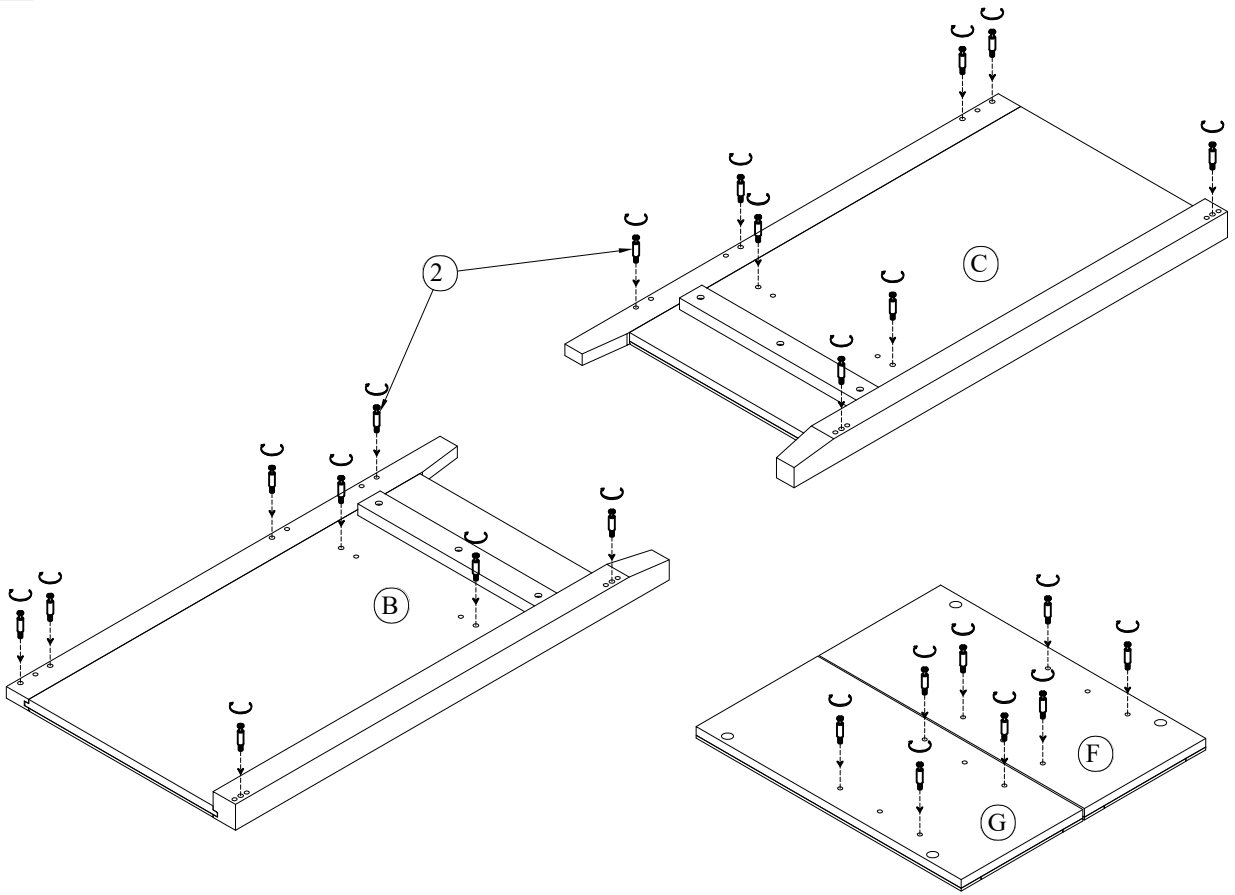
1. Remove hardware from box and sort by size.
2. Please check to see that all hardware and parts are present prior start of assembly.
3. Please follow attached instruction in the same sequence as numbered asure fast and aesy assembly.

WARNING!

1. Dont attempt to repair or modify parts that are broken or defective. Prease contact the store immediately.
2. This productis for home use only and not intended for commercial esablishments.
3. Two persons are required for assembly.
4. Approximate assembly time 1/2 hours.
5. Component parts and fittings contained in the box. Prease sort out all parts before you begin to assemble the item. This is to make sure you always use the correct part.
6. It is **STRONGLY RECOMMENDED** that you ANCHOR this product.toling furniture can cause serious injuries and death. To prevent your furniture from tipping forward it is strongly recommended that you securely attach this product to a wall other solid surface, using the anchor straps provided appropriate fixings.

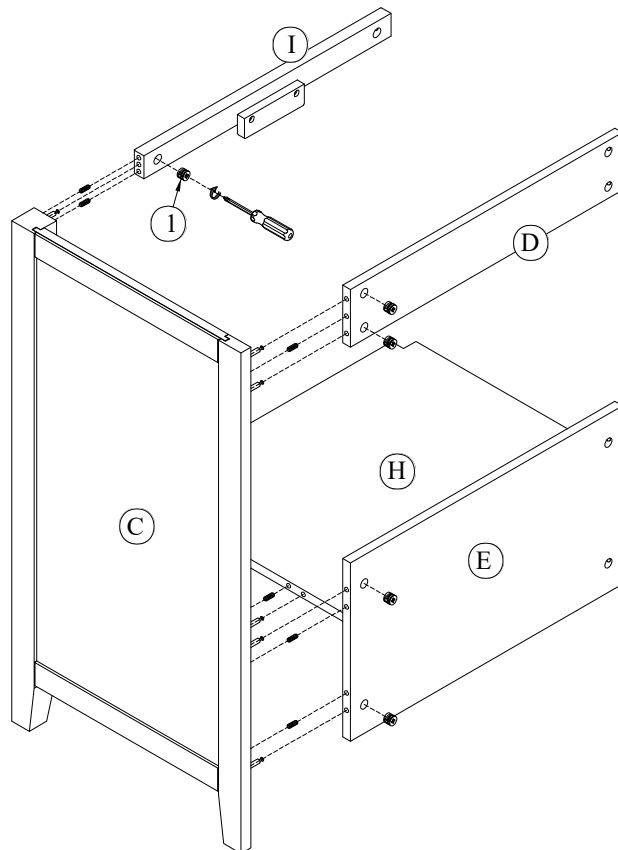
No.	Component	Q'ty	No.	Hardware	Q'ty
A	Sink	1	1	Cam Lock	24
B	Side Panel-Left	1	2	Cam Lock Screws	24
C	Side Panel-Right	1	3	Wooden	22
D	Back Panel - Up	1	4	Hinges	4
E	Back Panel - Low	1	5	Screws M3.5x15	24
F	Left Door	1	6	Screws M4x25	8
G	Right Door	1	7	Handle	1
H	Shelf Panel	1	8	Knob	2
I	Front Rail	1	9	Screws M4x30	2
K	Front Rail	1	10	Screws M4x25	2
L	Towel Rack - Left	1	Not Included		
M	Towel Rack - Right	1			
N	Front Drawer Panel	1			
O	Sides Drawer Panel	2			
P	Back Drawer Panel	1			
Q	Bottom Drawer Panel	1			

Step 1



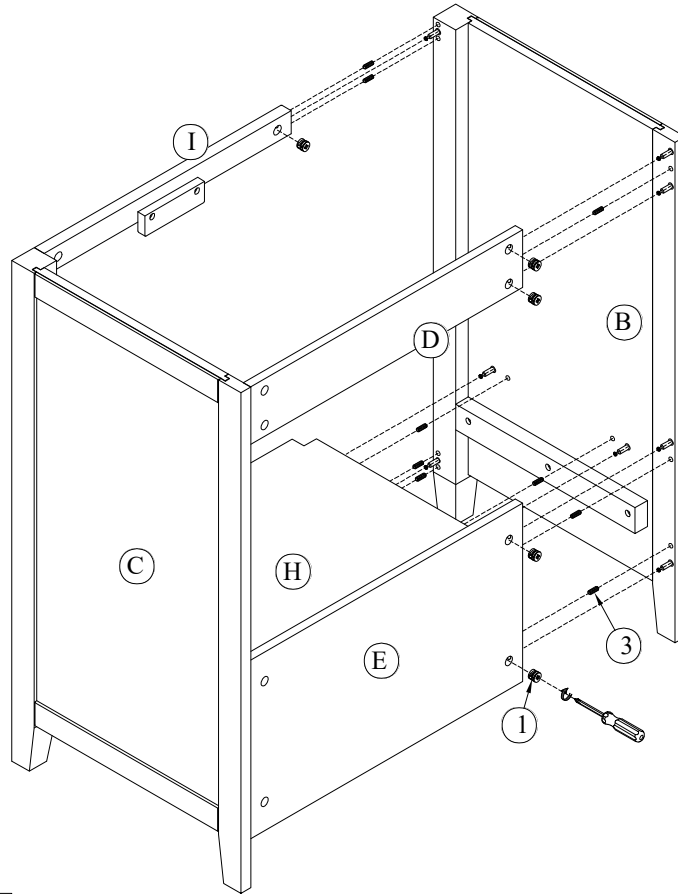
No	Hardware	Q'ty
2	Cam Lock Screws	24

Step 2



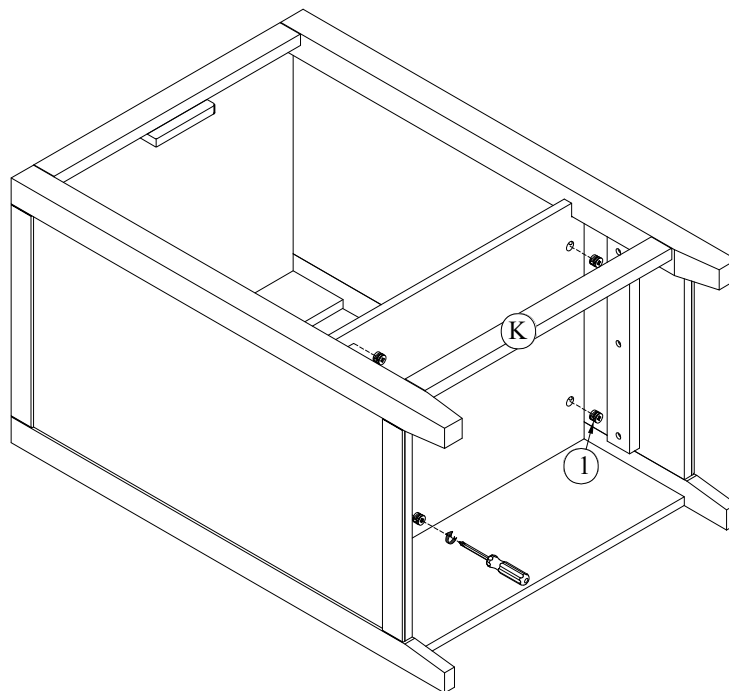
No	Hardware	Q'ty
1	Cam Lock	6
3	Wooden	9

Step 3



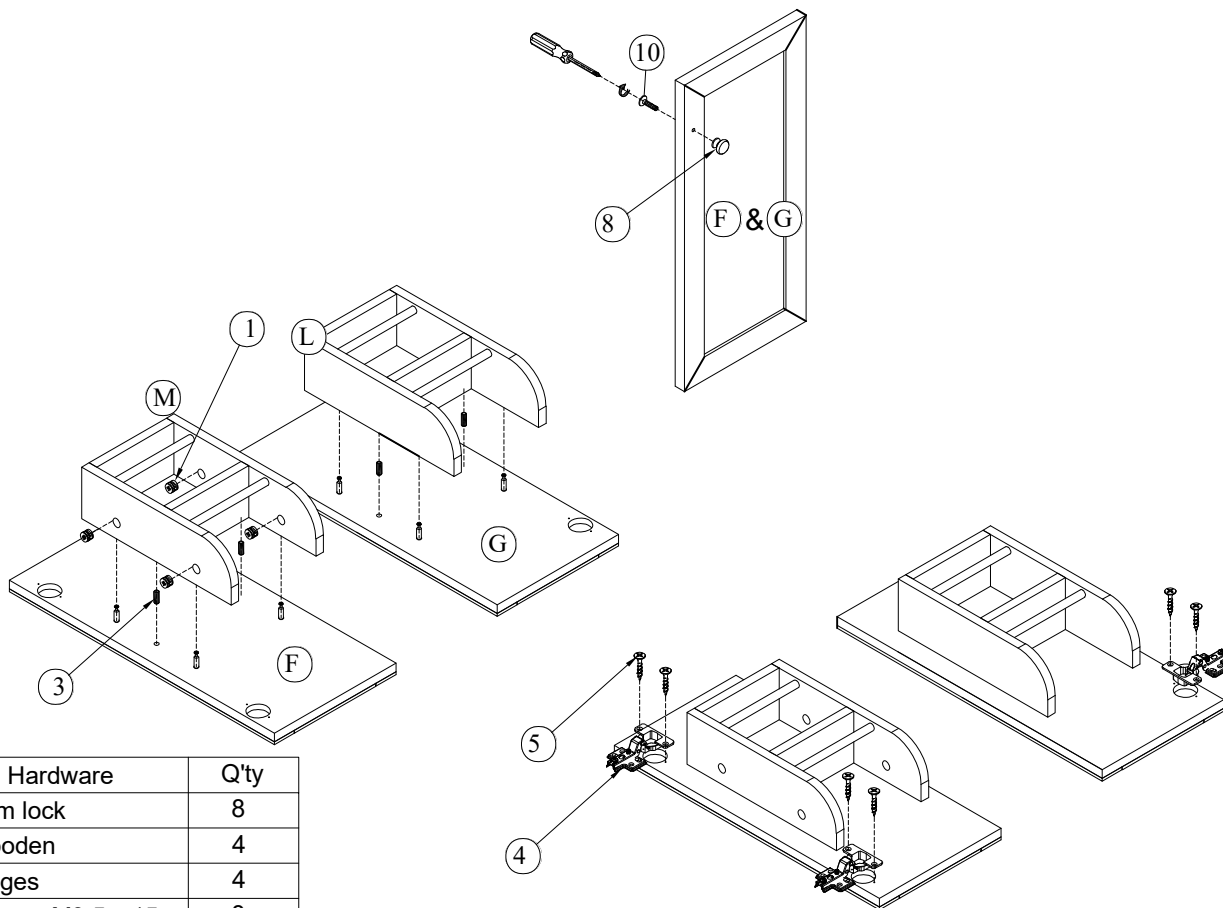
No	Hardware	Q'ty
1	Cam Lock	6
3	Wooden	9

Step 4



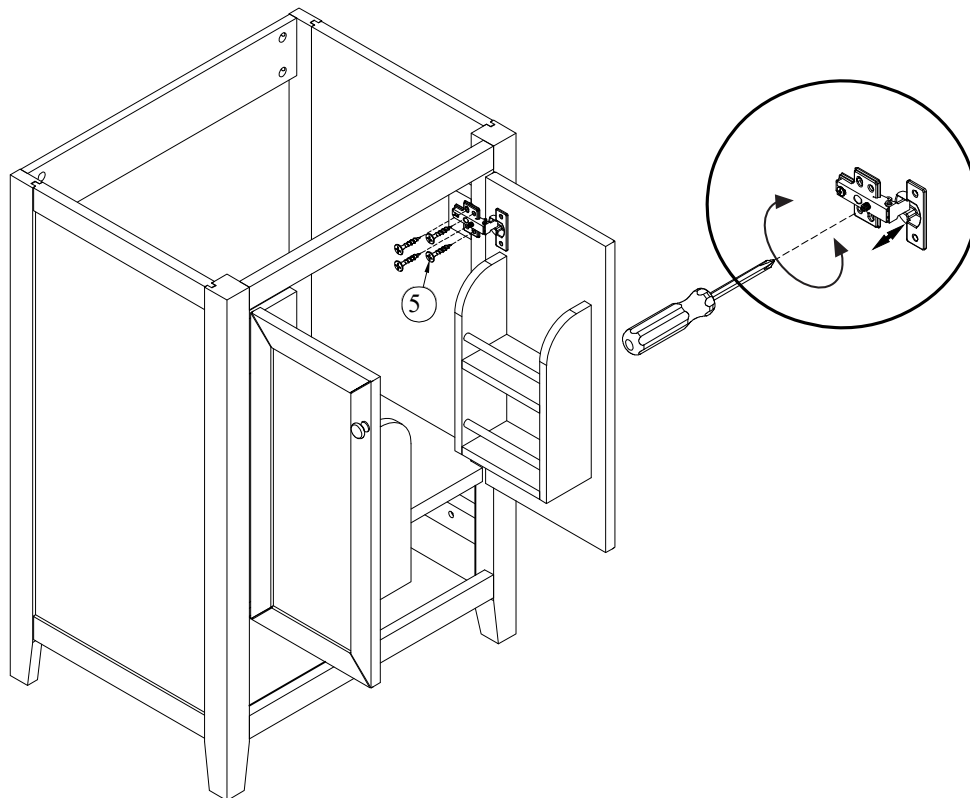
No	Hardware	Q'ty
1	Cam Lock	4

Step 5



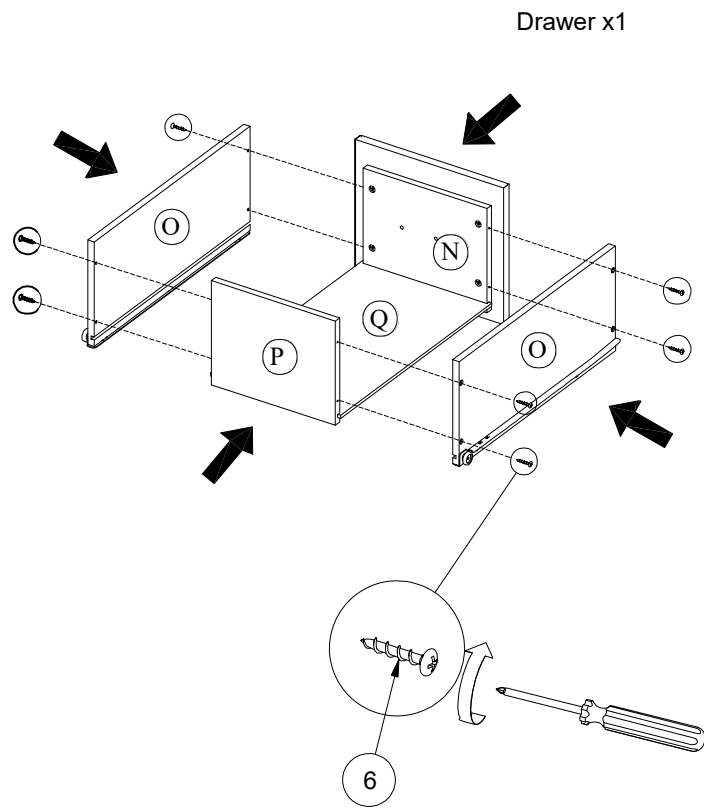
No	Hardware	Q'ty
1	Cam lock	8
3	Wooden	4
4	Hinges	4
5	Screws M3.5 x 15	8
8	Knob	2
10	Screws M4 x 25	2

Step 6



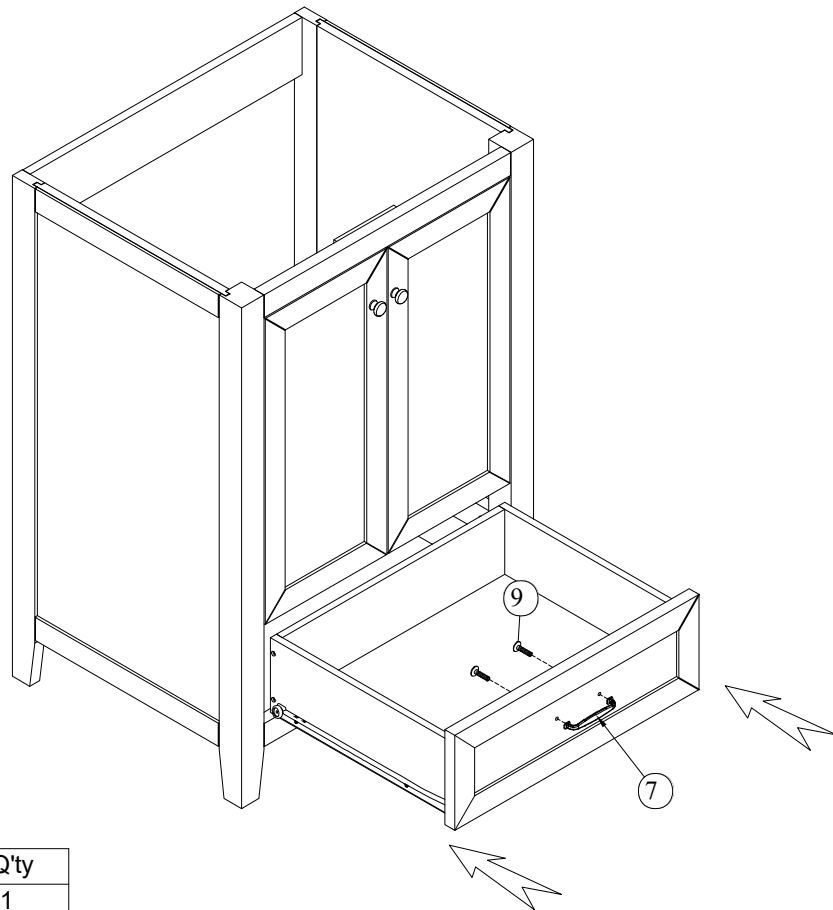
No	Hardware	Q'ty
5	Screws M3.5 x 15	16

Step 7



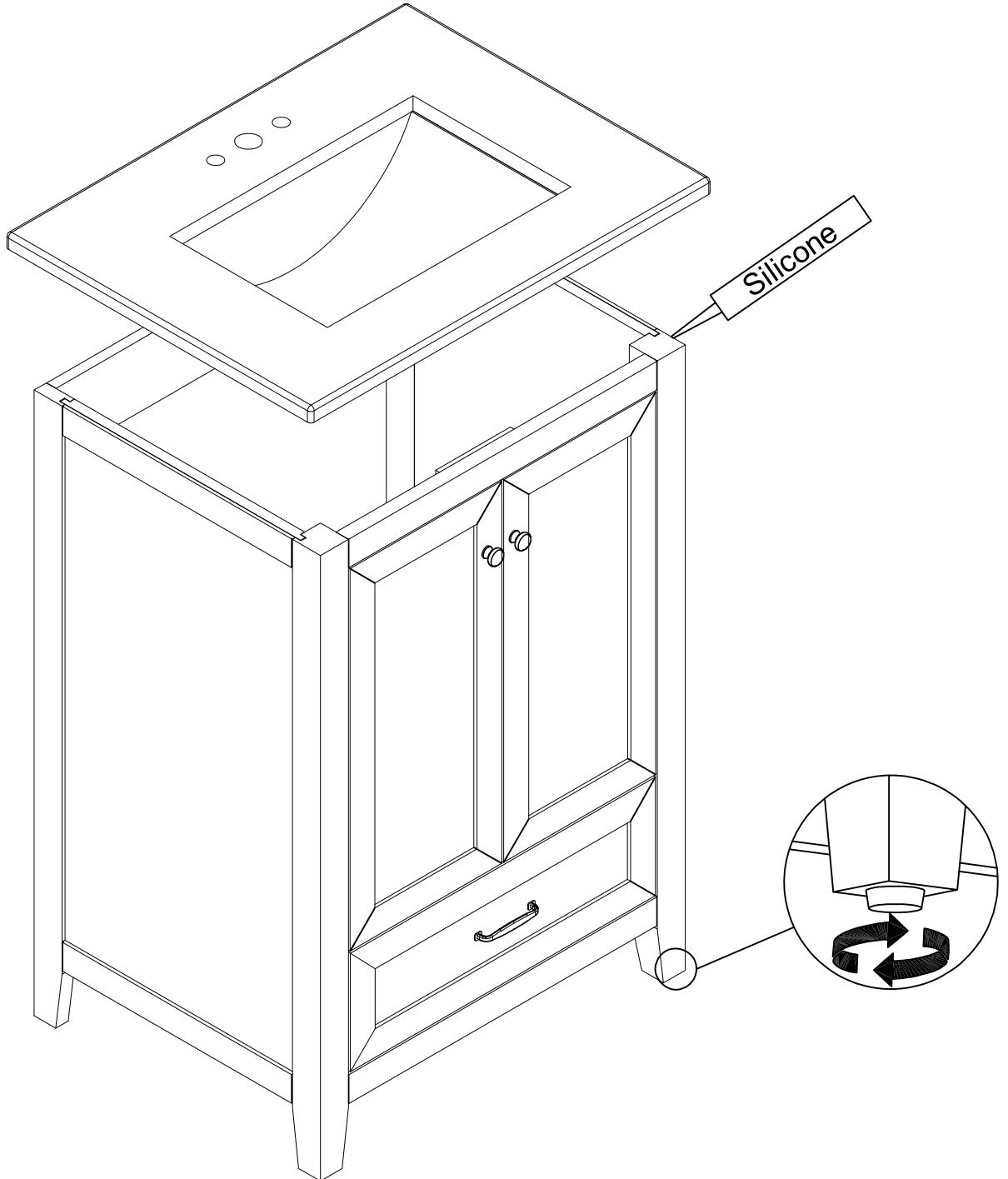
No	Hardware	Q'ty
6	Screws M4 x 25	8

Step 8



No	Hardware	Q'ty
7	Handle	1
9	Screws M4 x 30	2

Step 9



IMPORTANT-READ CAREFULLY-RETAIN FOR FUTURE REFERENCE

WARNING:

- Children must stay away from the assembly zone, preventing children from potential asphyxia because of plastic bag and foam breathing in nose;
- For your safety, please do not tread or climb product.
- The loading weight shall be within the range that vendor claims. The product is designed for adults use, domestic use and indoor use only.
- The product shall not combine with other product for use.
- If the product with seat height adjustments with energy accumulators that only trained personnel may replace or repair seat height adjustment components with energy accumulators
- Check regularly that all assembly fastenings are properly tightened, do not use the product if any structural part is broken or missing
- Incorrect installation and incorrect use can cause accidents. Please completely follow the guidance of assembly instruction.

Security instructions:

- Before assembling check whether all parts listed in the parts list have been delivered. Do not start assembling if parts are missing or damaged.
- A failure to assemble this product correctly could cause damage or result in serious injury! Before assembling make sure that you have enough space for the procedure. Assemble on a flat surface.
- Keep the assembly instructions available at all times and follow each of the individual steps exactly.
- During assembly, be careful with all the parts of the assembly (do not walk on them or distort them) and beware of shearing and trapping risks. Keep children and pets away while setting up the furniture.