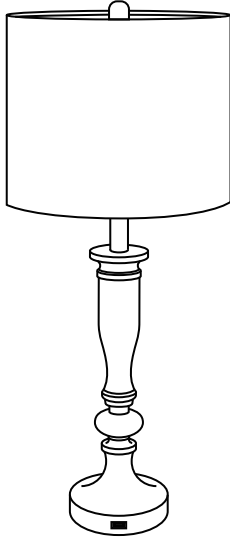
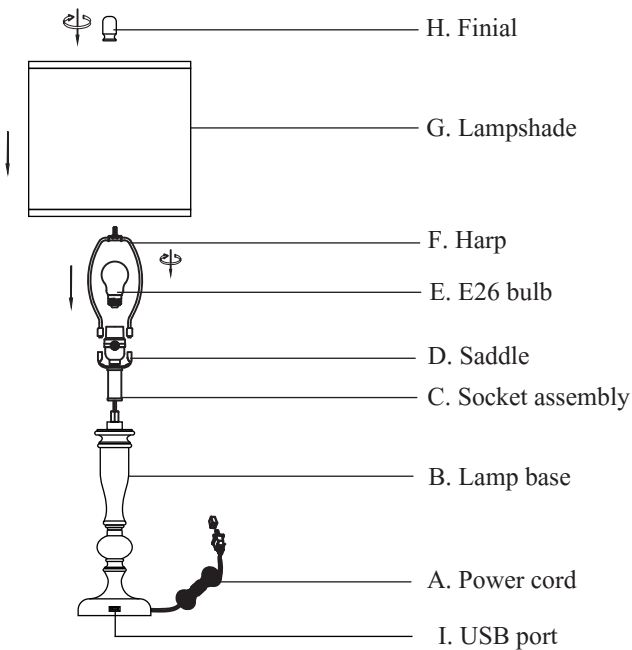


Instruction Manual

Table Lamp Set Of 2



Overview



Assembly Instruction

1. Pull out the Power cord A gently until bottom of Socket assembly C reaches the top of Lamp base B.
2. Rotate Socket assembly C counter-clockwise by two turns, then screw Socket assembly onto Lamp base B and tighten.
3. Insert Harp F into Saddle D.
4. Install E26 bulb E into socket.
5. Attach assembled Lamp shade G onto Harp F and tighten it with Finial H.

For Lamp shade assembly, please refer to attached instruction-Lamp Shade Assembly.

Product Specifications

Input voltage	120V
Rated power	100W MAX
USB port	5V 2A
Lamp socket	E26
Cord Length	5ft.

Product Packaging

Lamp base assembly	× 2
Lamp shade cloth	× 2
Shade frame	× 4
Harp&Finial	× 2
E26 bulb	× 2
Lamp manual	× 1
Lamp shade manual	× 1

Safety Warning:

BULB TYPE:

Use only the bulb type and wattage indicated on Wattage Label placed on or near socket.

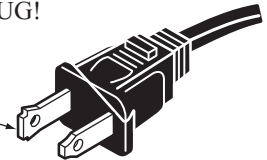
WARNING: NEVER EXCEED MAXIMUM WATTAGE Indicated as bulb may cause fire.

CAUTION:

This portable lamp has a polarized plug (one blade is wider than the other) as a safety feature. This plug can be used in a polarized outlet only one way. If plug does not fit fully into the outlet, reverse the plug. If it still does not fit, contact a qualified electrician.

DO NOT ALTER THE PLUG!

Wide Blade



PROPER LAMP CARE:

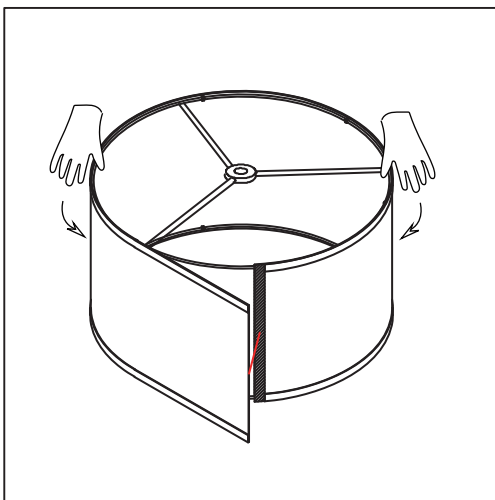
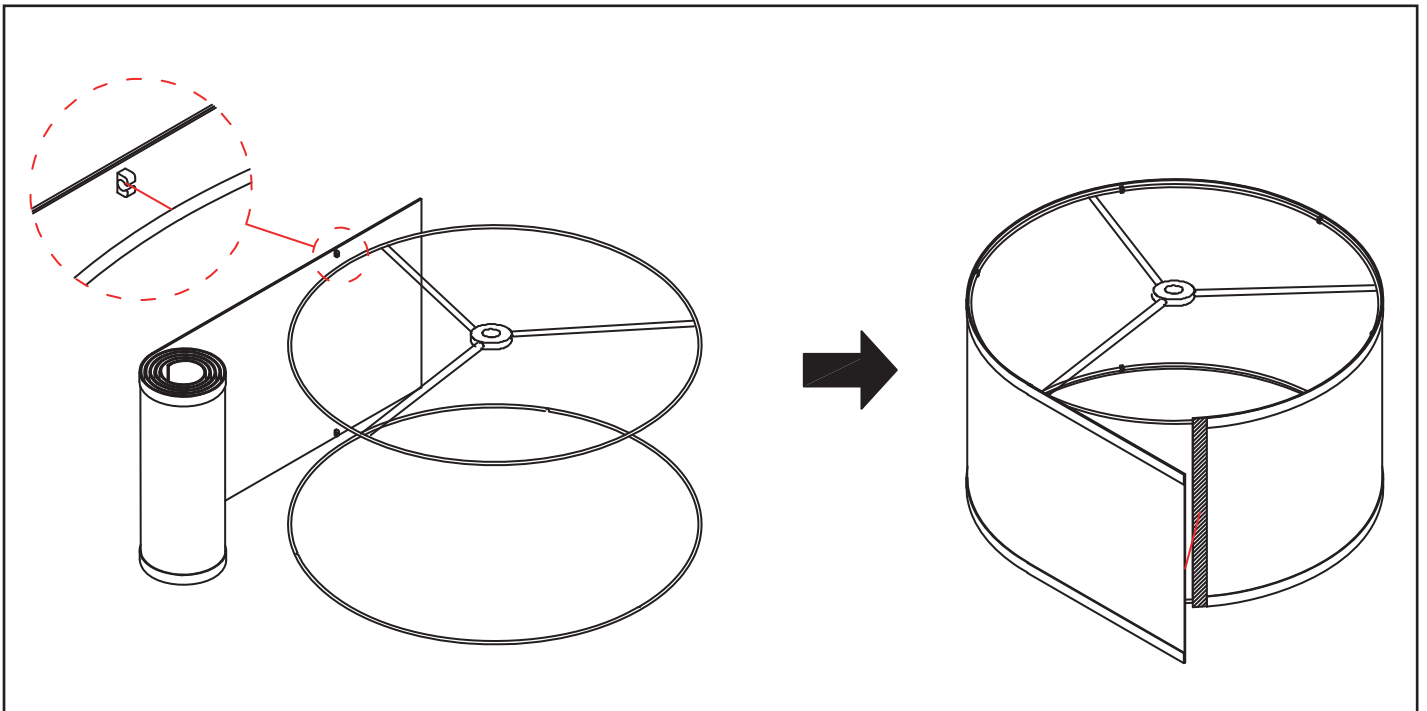
Use a soft cloth to dust your lamp on a regular basis. Never use chemicals or an abrasive cleaner, to do so may damage the finish on your lamp.

TROUBLESHOOTING:

If fixture does not work:

1. Turn off electrical power and check all wire connections.
2. Check fuse or circuit breaker and replace if necessary.
3. Check to make sure light bulb is in working order.

Lamp Shade Assembly



1. Push and pull the fabric to be tight before attach it together by velcro.