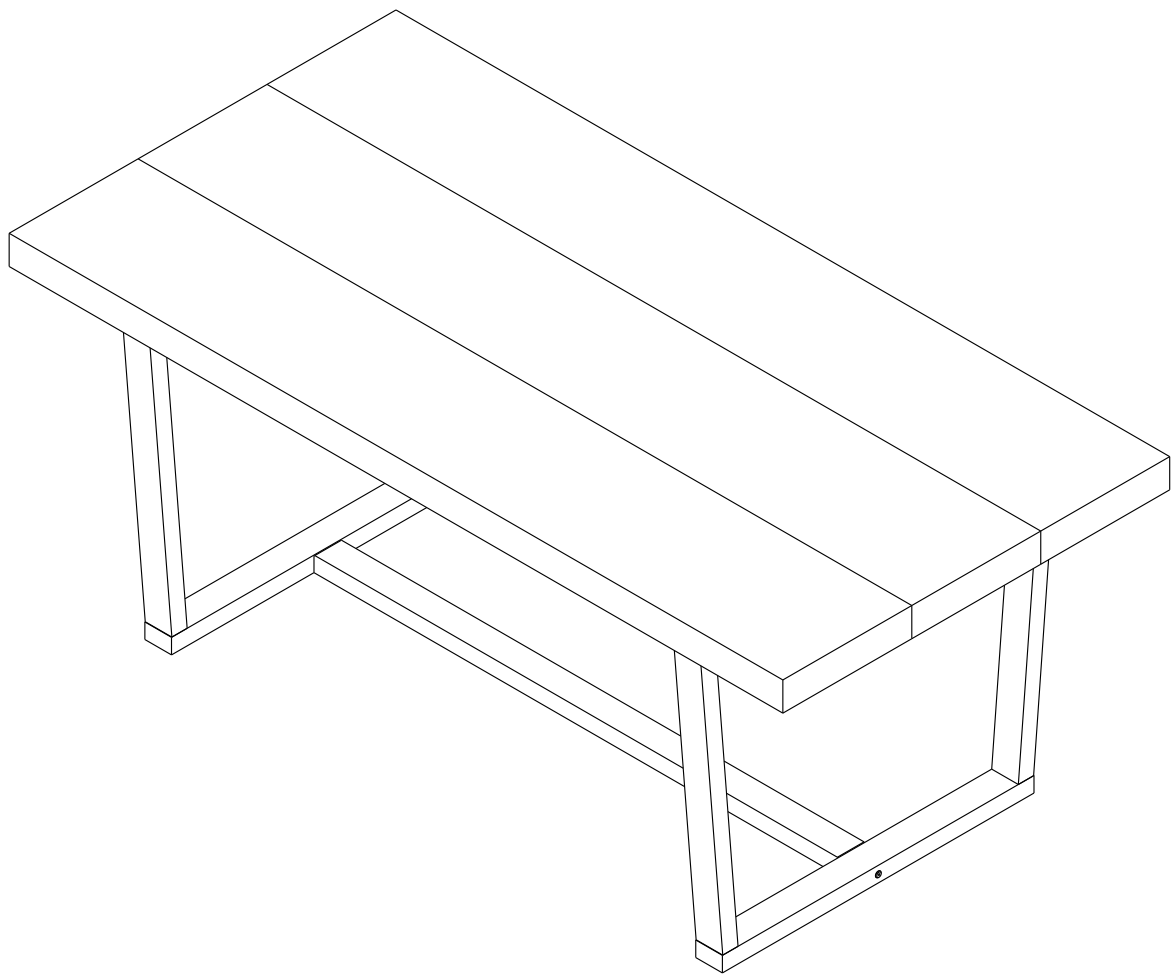
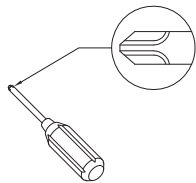


# Assembly Instructions

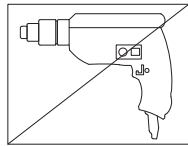


# General Assembly Guidelines

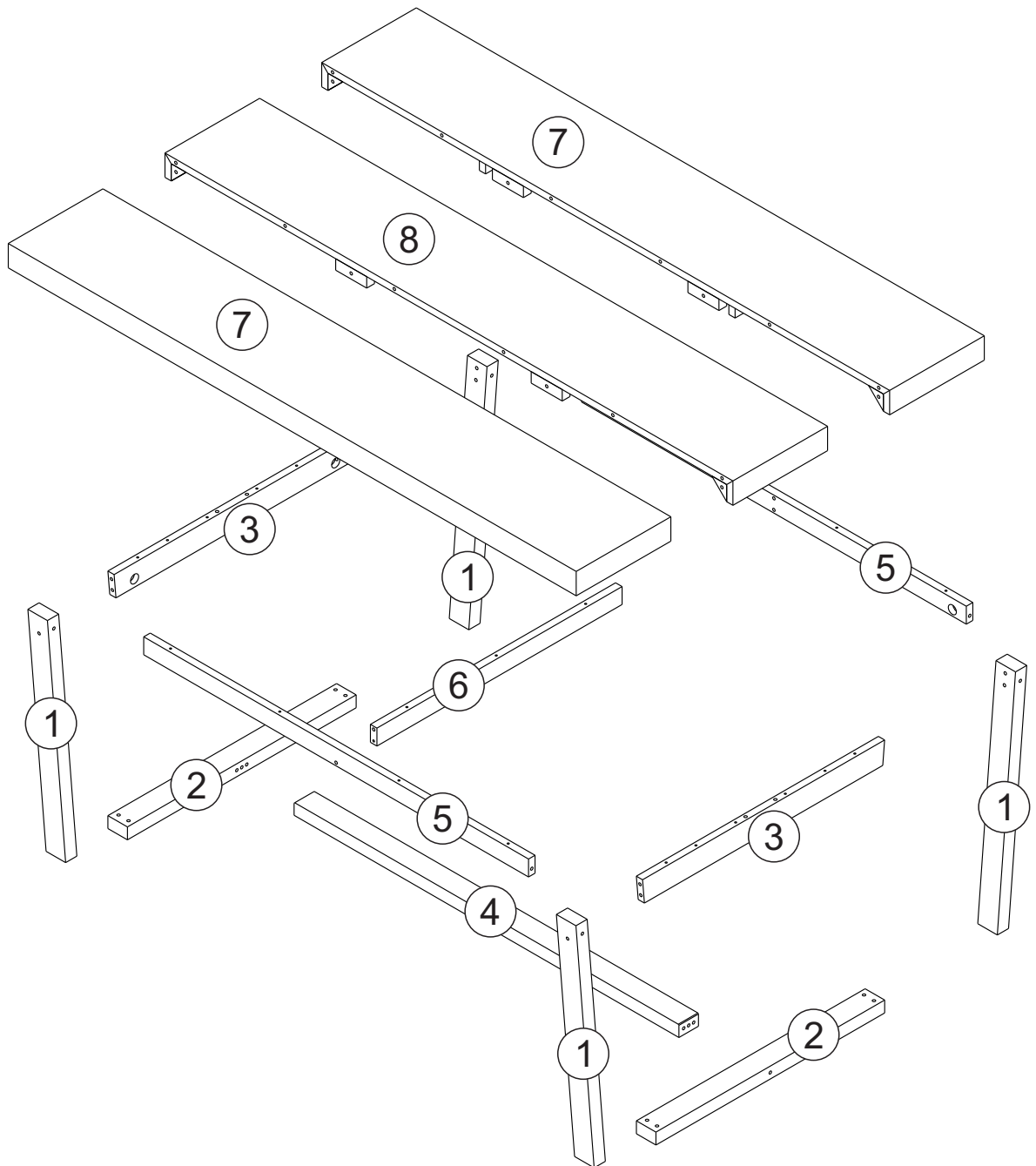
- I. Ensure that all parts and hardware are available before beginning assembly.
- II. Follow each step carefully to ensure the proper assembly of this product.
- III. Two people are recommended for ease in the assembly of this product.
- IV. The three main types of hardware used to assemble this product are : wood dowels , screws and bolts.
- V. A Phillips head screwdriver is required for the assembly of this product .




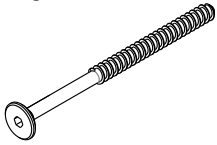

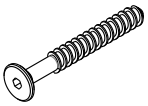

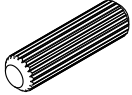

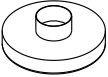
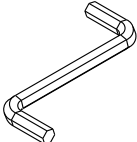
- VI. Power tools should not be used to assemble this product .

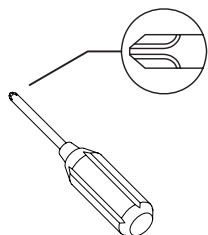
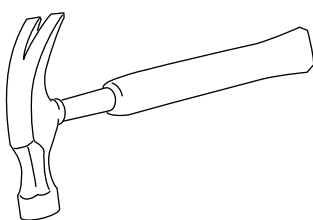


# Parts List



# Hardware List

A		Ø 1/4"x110 mm	Bolt	10 pcs
B		Ø 7.0x70 mm	Bolt	08 pcs
C		Ø 1/4"x50 mm	Bolt	08 pcs
D		Ø 7.0x50 mm	Bolt	02 pcs
E		Ø 4.0x50 mm	Screw	23 pcs
F		Ø 8x30 mm	Wood dowel	26 pcs
G		Ø 1/4"	Barrel nut	10 pcs
H			Plastic foot	04 pcs
I		M4	Hex key	01 pcs

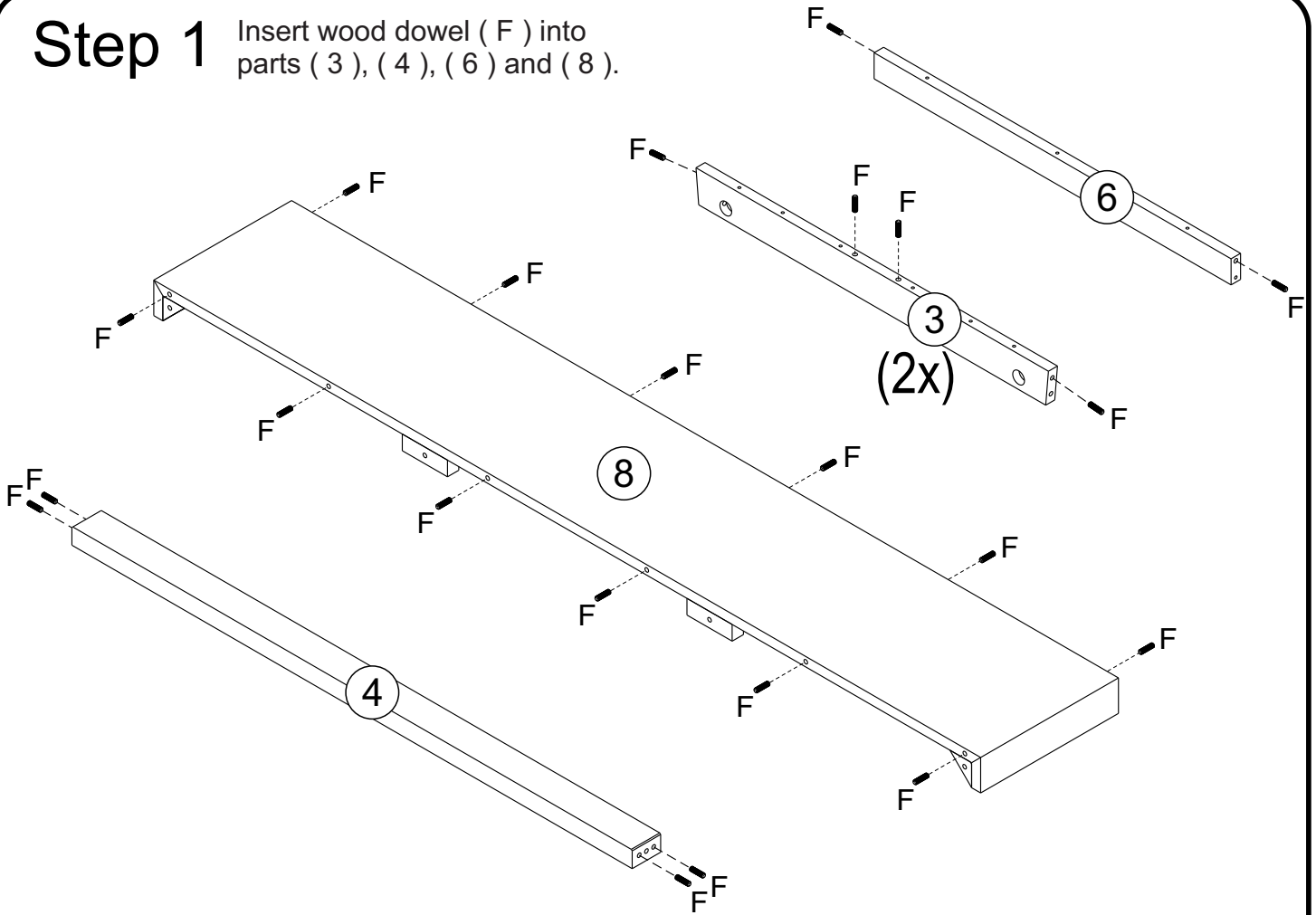


Philips head screwdriver required for assembly  
(not included)

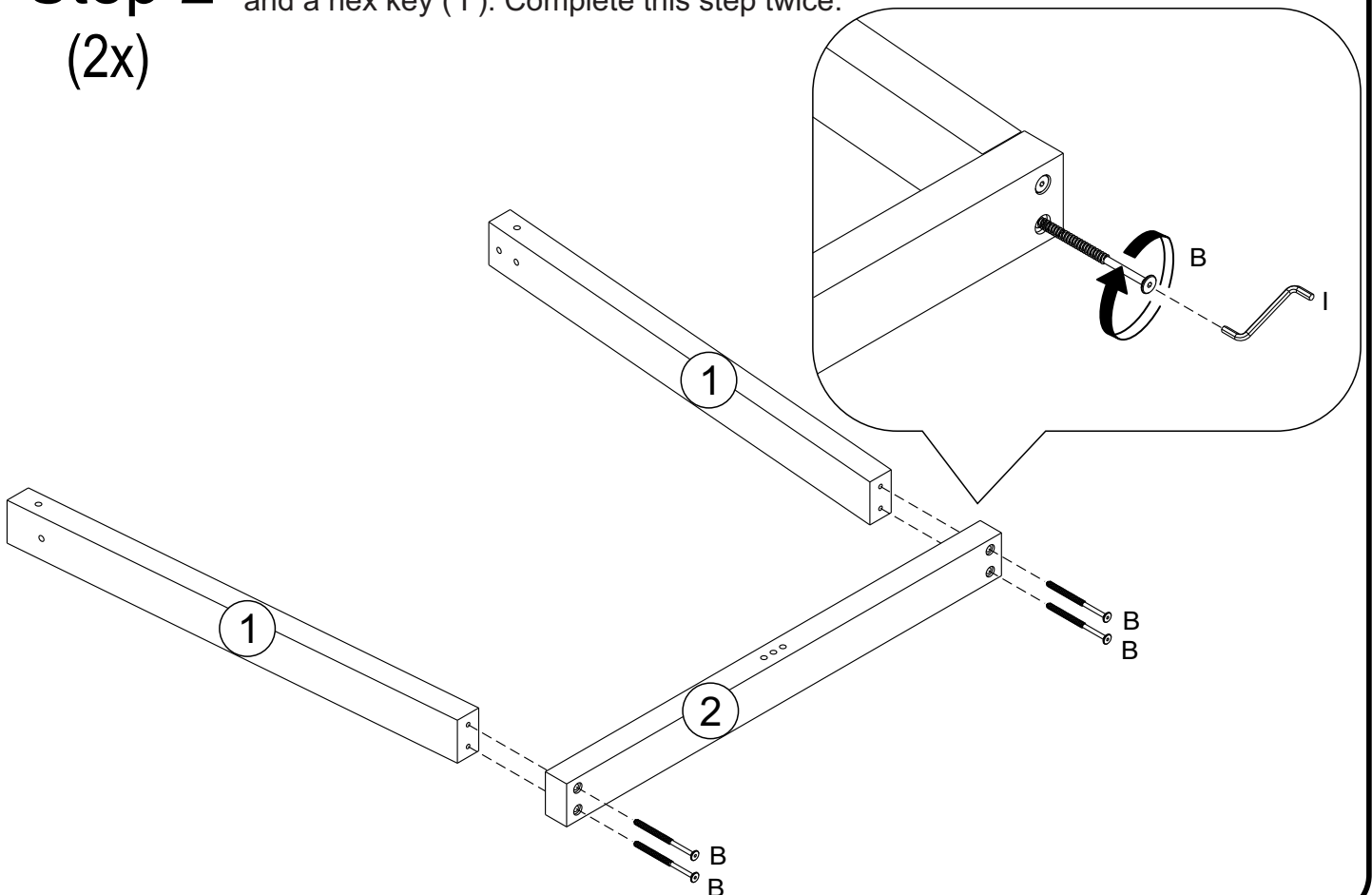
Mallet or hammer recommended for assembly  
(not included)

*The hardware quantities listed above are required for proper assembly.  
Some extra hardware may also have been included.*

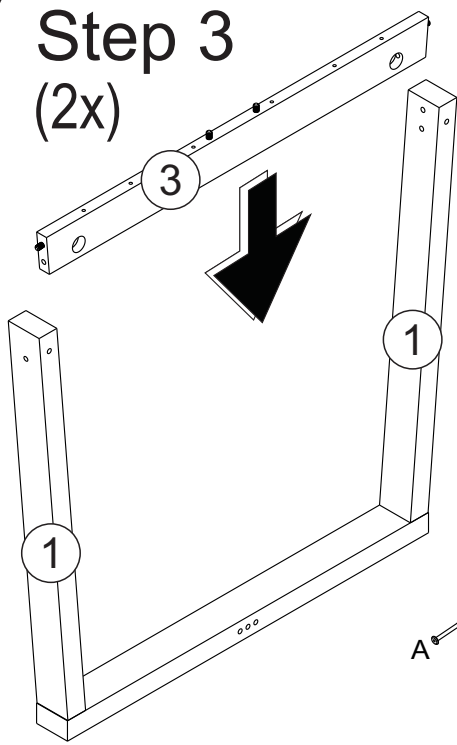
**Step 1** Insert wood dowel ( F ) into parts ( 3 ), ( 4 ), ( 6 ) and ( 8 ).



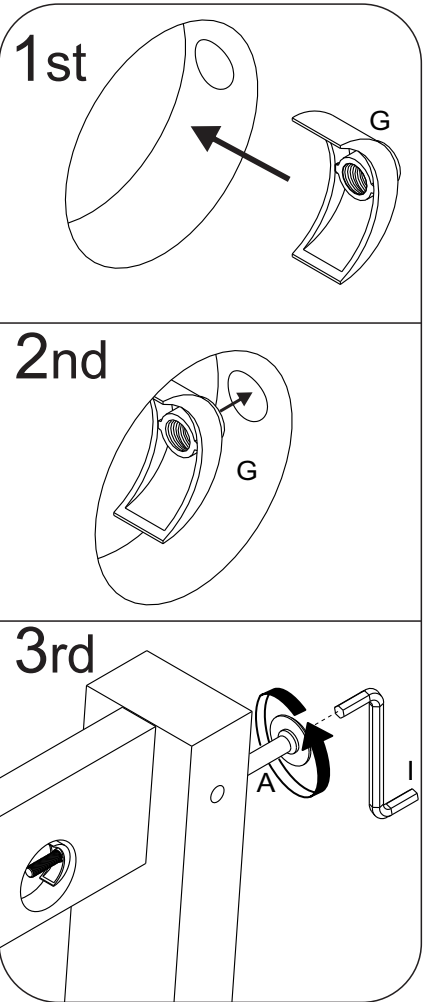
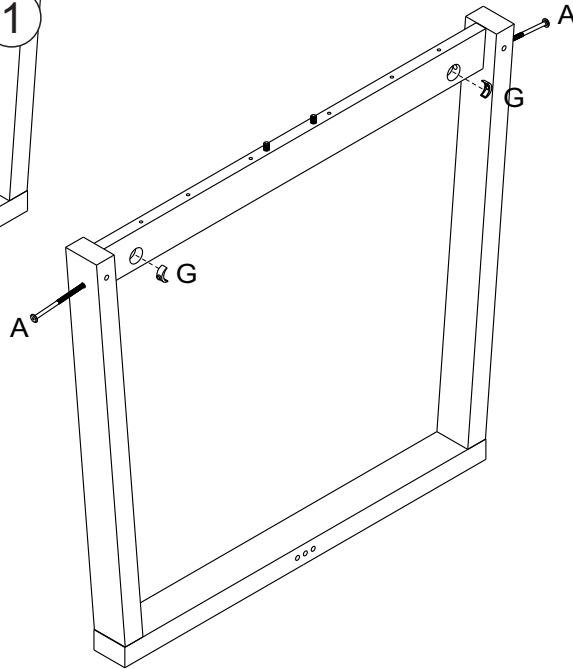
**Step 2** Attach part ( 2 ) to part ( 1 ) using bolt ( B ) and a hex key ( I ). Complete this step twice.  
(2x)



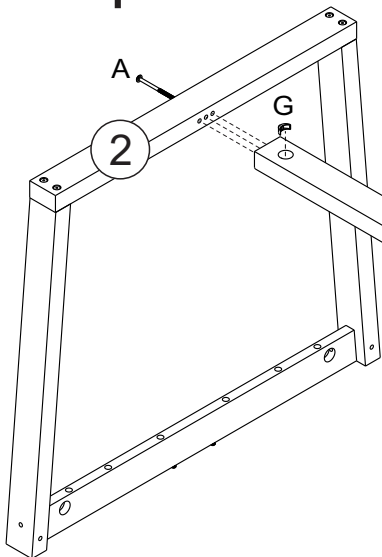
### Step 3 (2x)



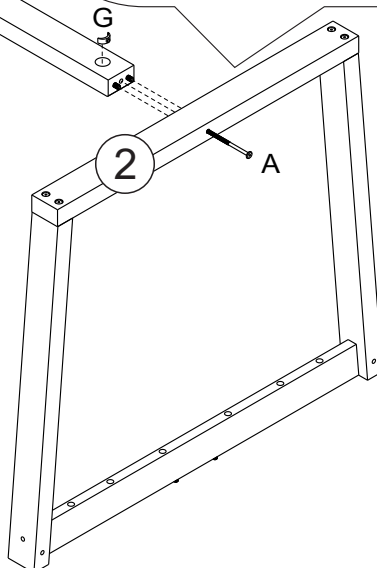
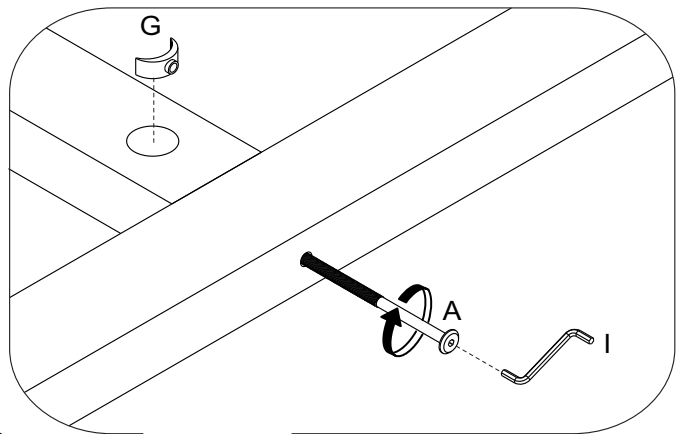
Attach part ( 3 ) to part ( 1 ) using bolt ( A ) with barrel nut ( G ) and hex key ( I ). Complete this step twice.



### Step 4



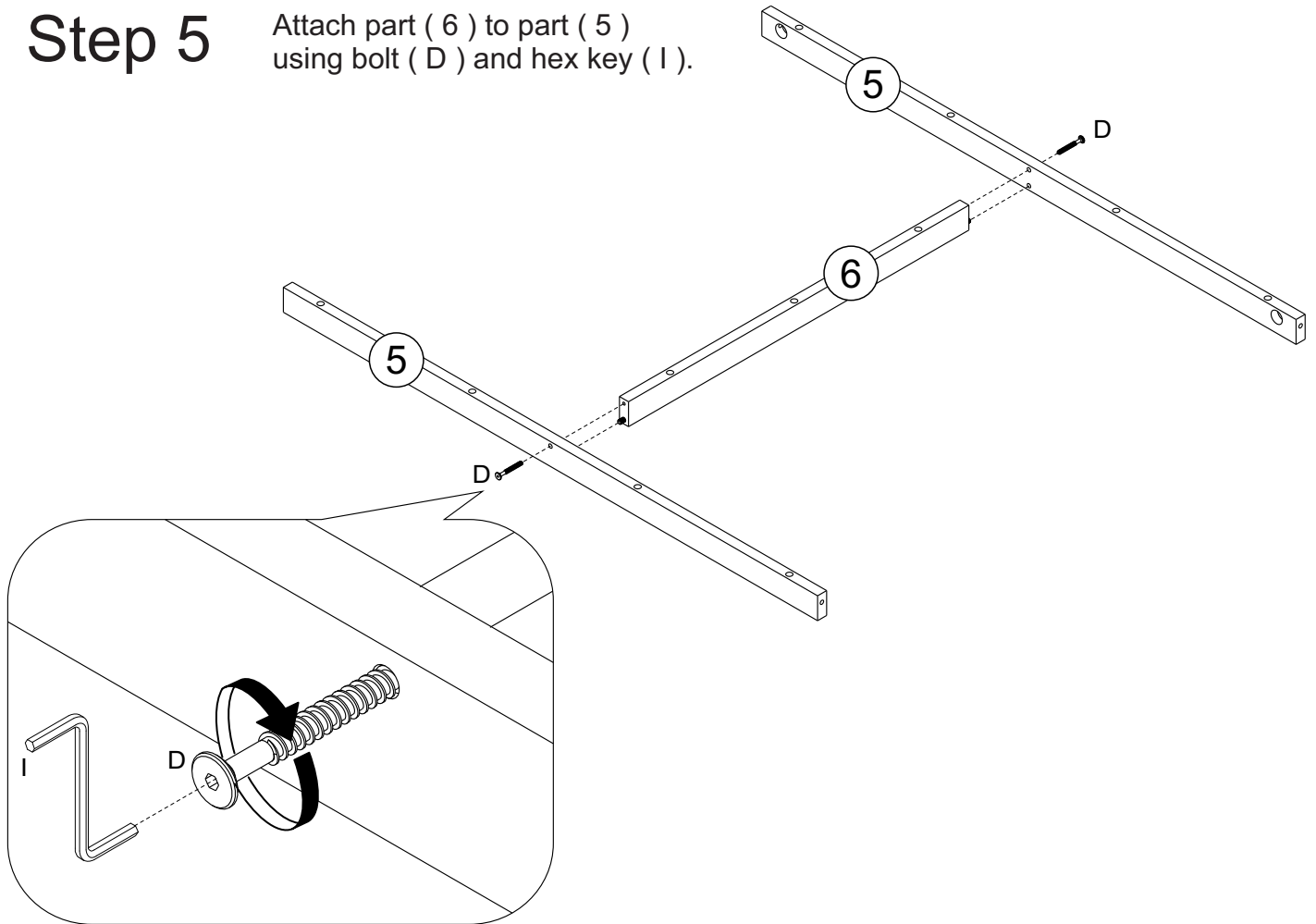
4



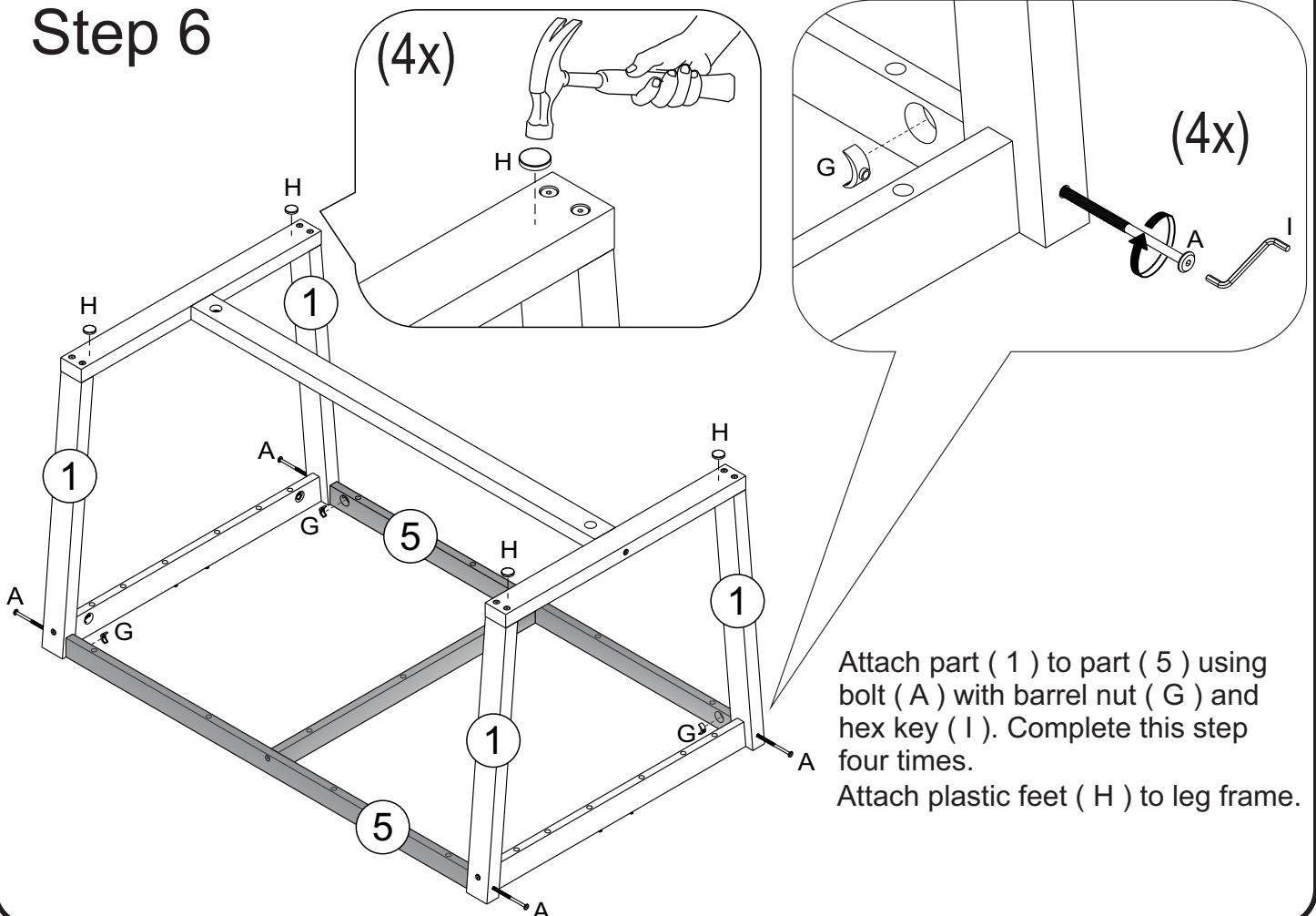
Attach part ( 4 ) to part ( 2 ) using bolt ( A ) with barrel nut ( G ) and hex key ( I ).

## Step 5

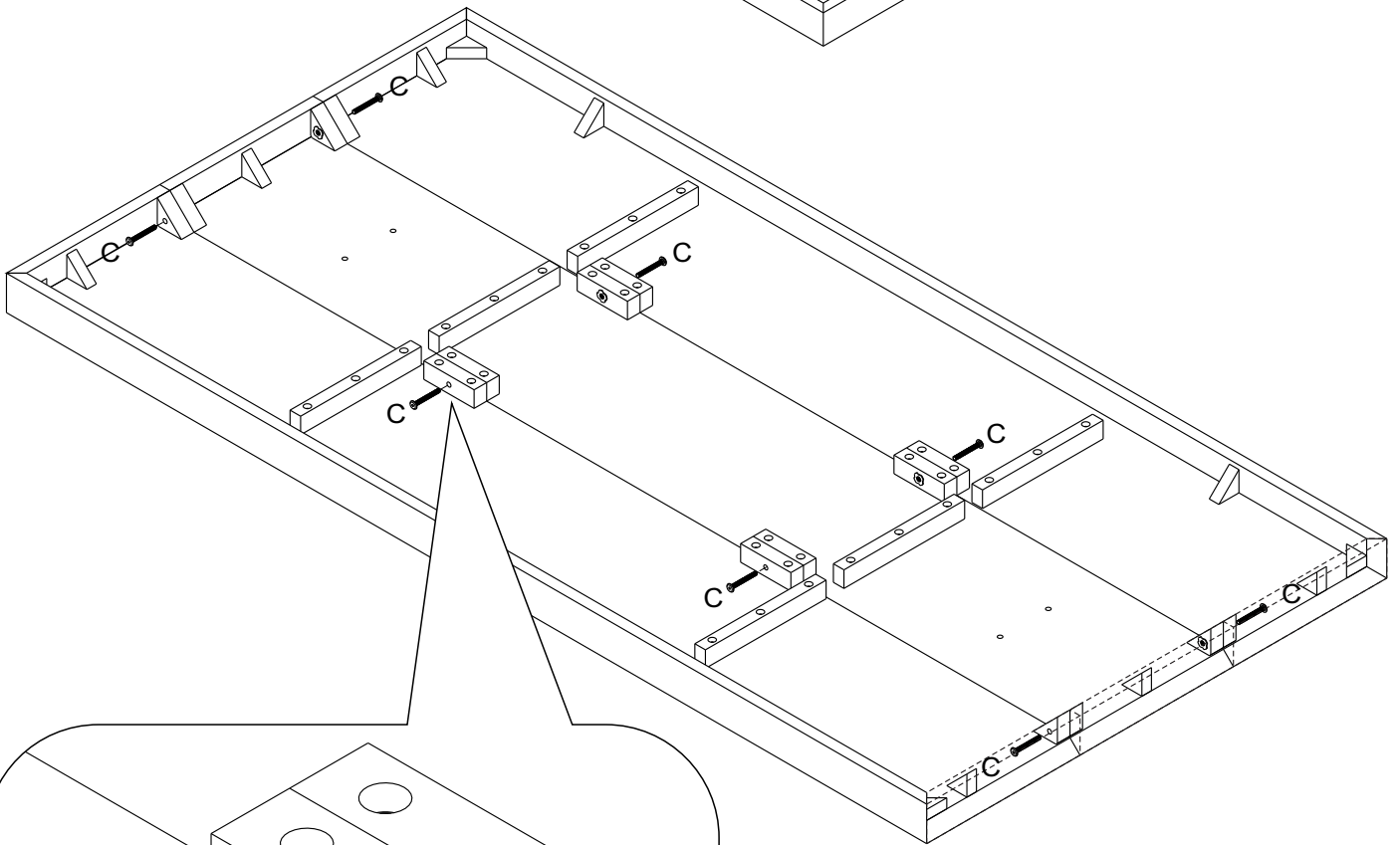
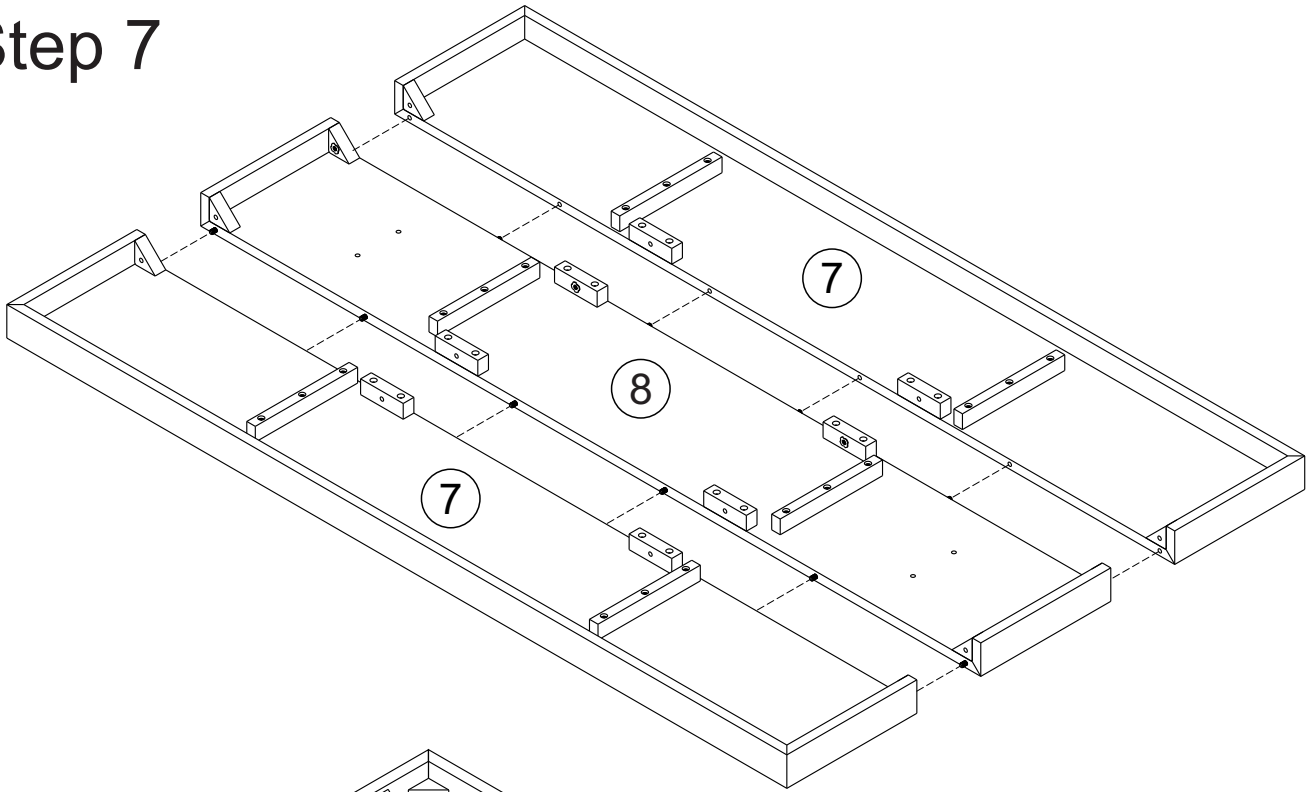
Attach part ( 6 ) to part ( 5 ) using bolt ( D ) and hex key ( I ).



## Step 6



# Step 7

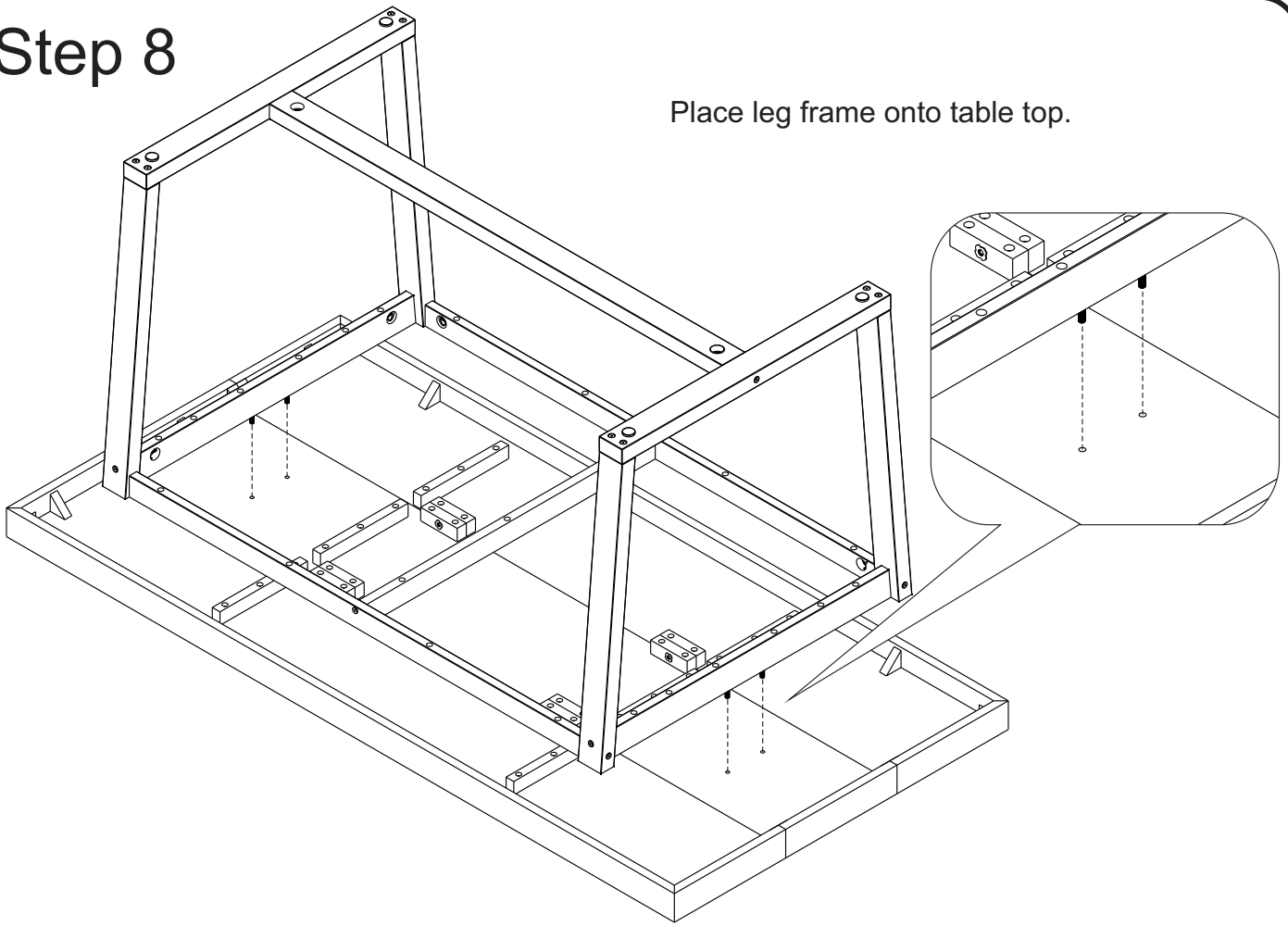


Attach part ( 8 ) to part ( 7 ).  
Secure the pieces using bolt ( C )  
and hex key ( I ).

(8x)

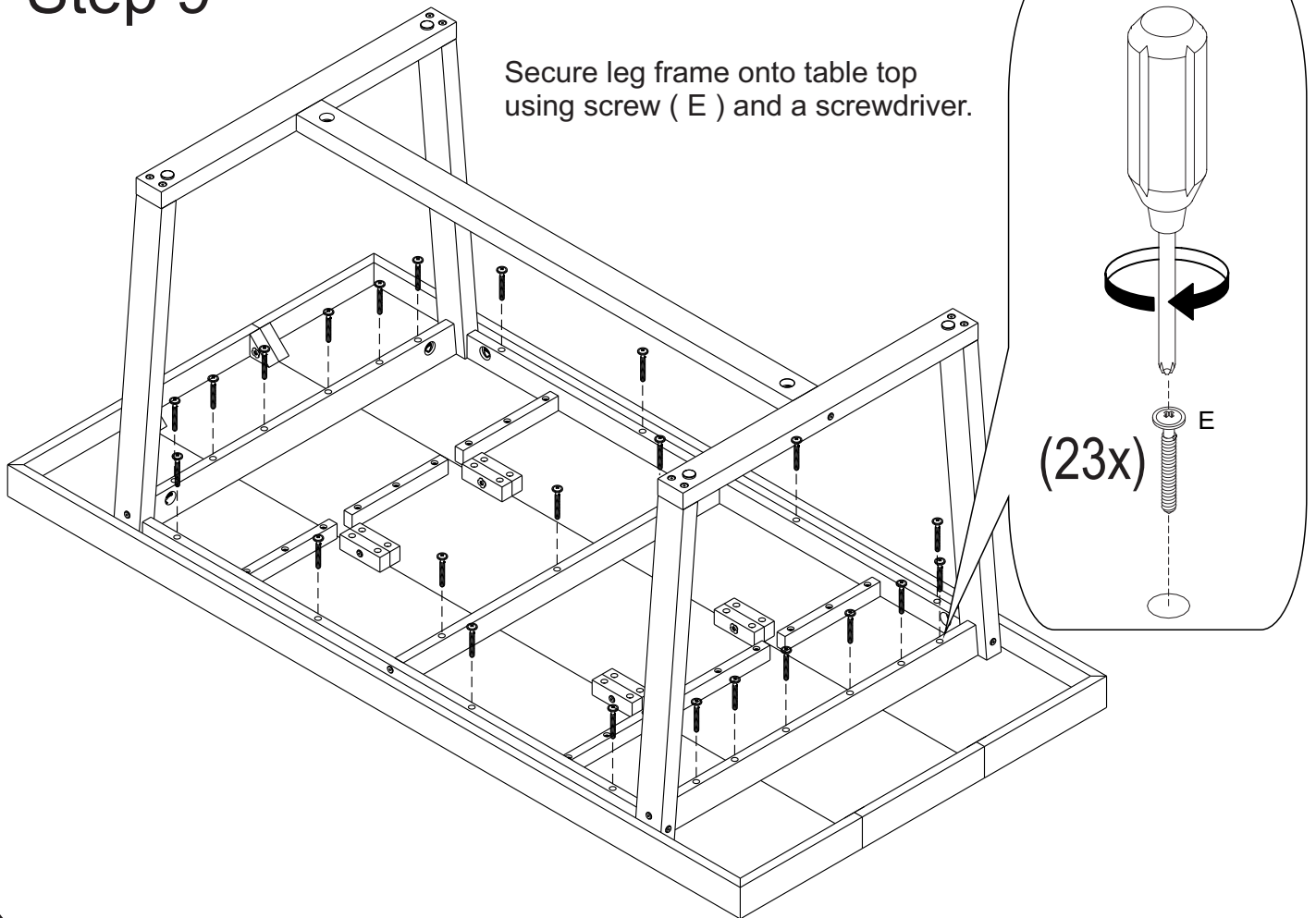
# Step 8

Place leg frame onto table top.

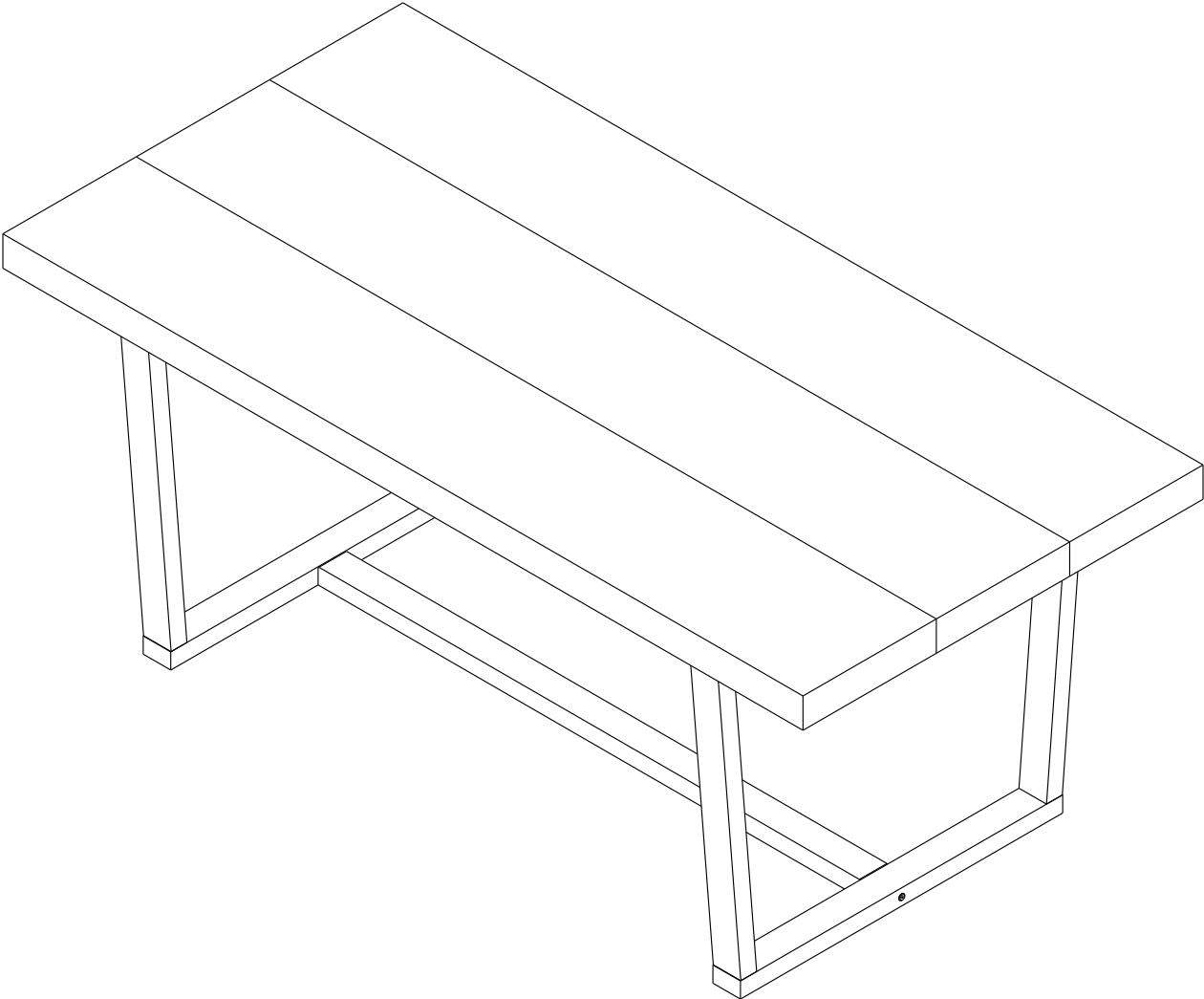


# Step 9

Secure leg frame onto table top using screw ( E ) and a screwdriver.



# Step 10



Final Assembly.