
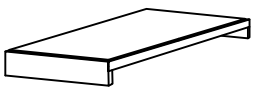
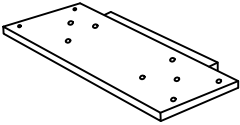
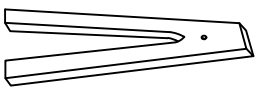
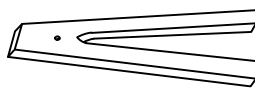
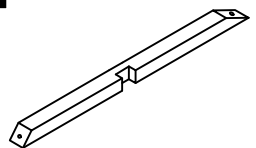
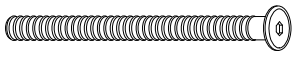
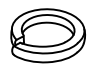

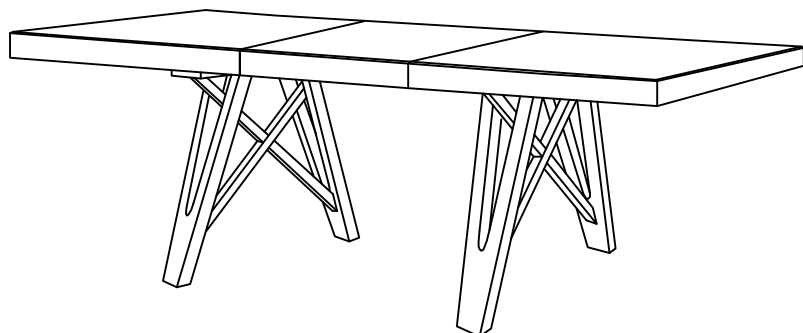


ASSEMBLY INSTRUCTIONS

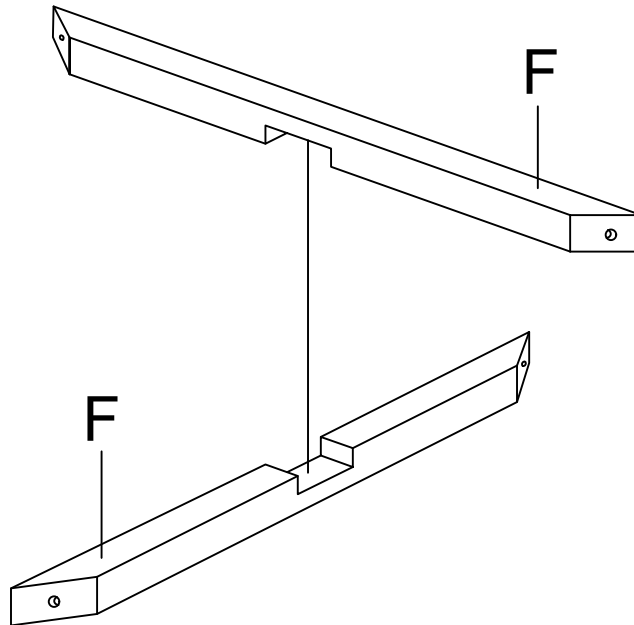
RECTANGULAR DINING TABLE 72"-90" WITH LEAF

A	Table Top	B	Table Leaf	C	Mounting Plate	D	Table Leg Left
							
	1 pc		1 pc		2 pcs		2 pcs
E	Table Leg Right	F	Crossbar	G	JCBC Bolt M6 X 40mm	H	Spring Washer M6
							
	2 pcs		4 pcs		24 pcs		24 pcs
I	Allen Key M4						
							
	1 pc						

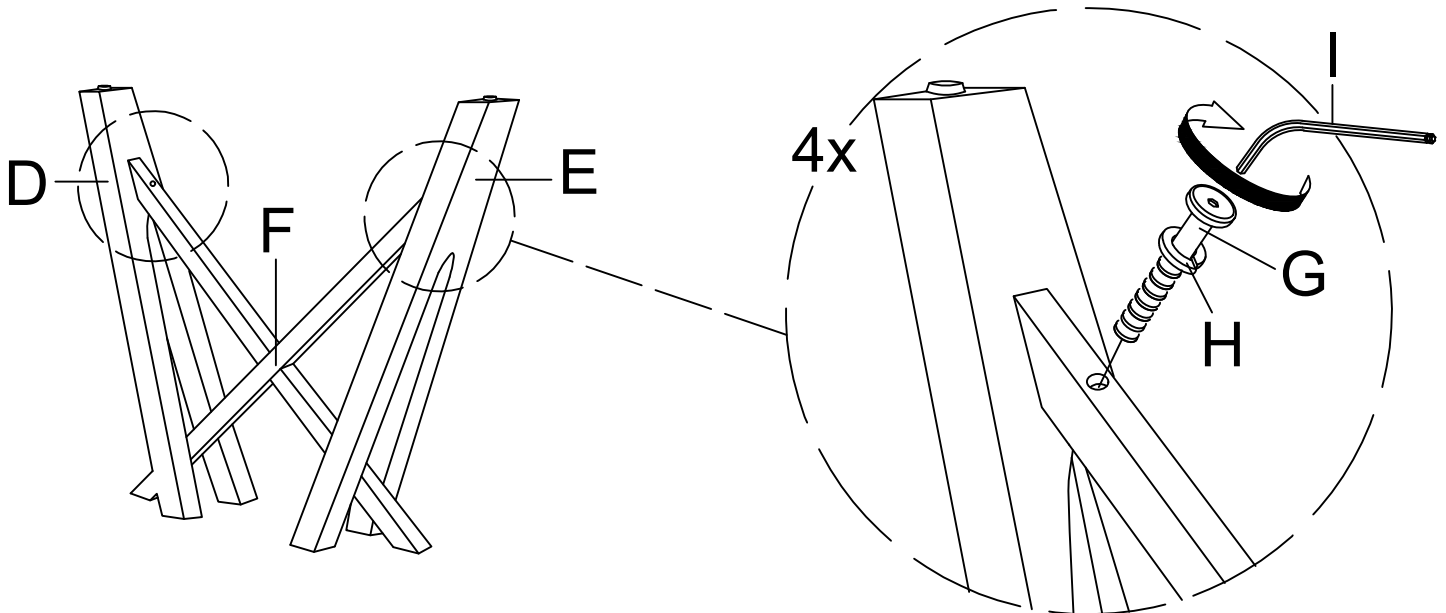


This page lists all the contents included in the box. Please take the time to identify the hardware as well as the individual components to this product. As you unpack and prepare for assembly, place the contents on a carpeted or padded area to protect them from damage.

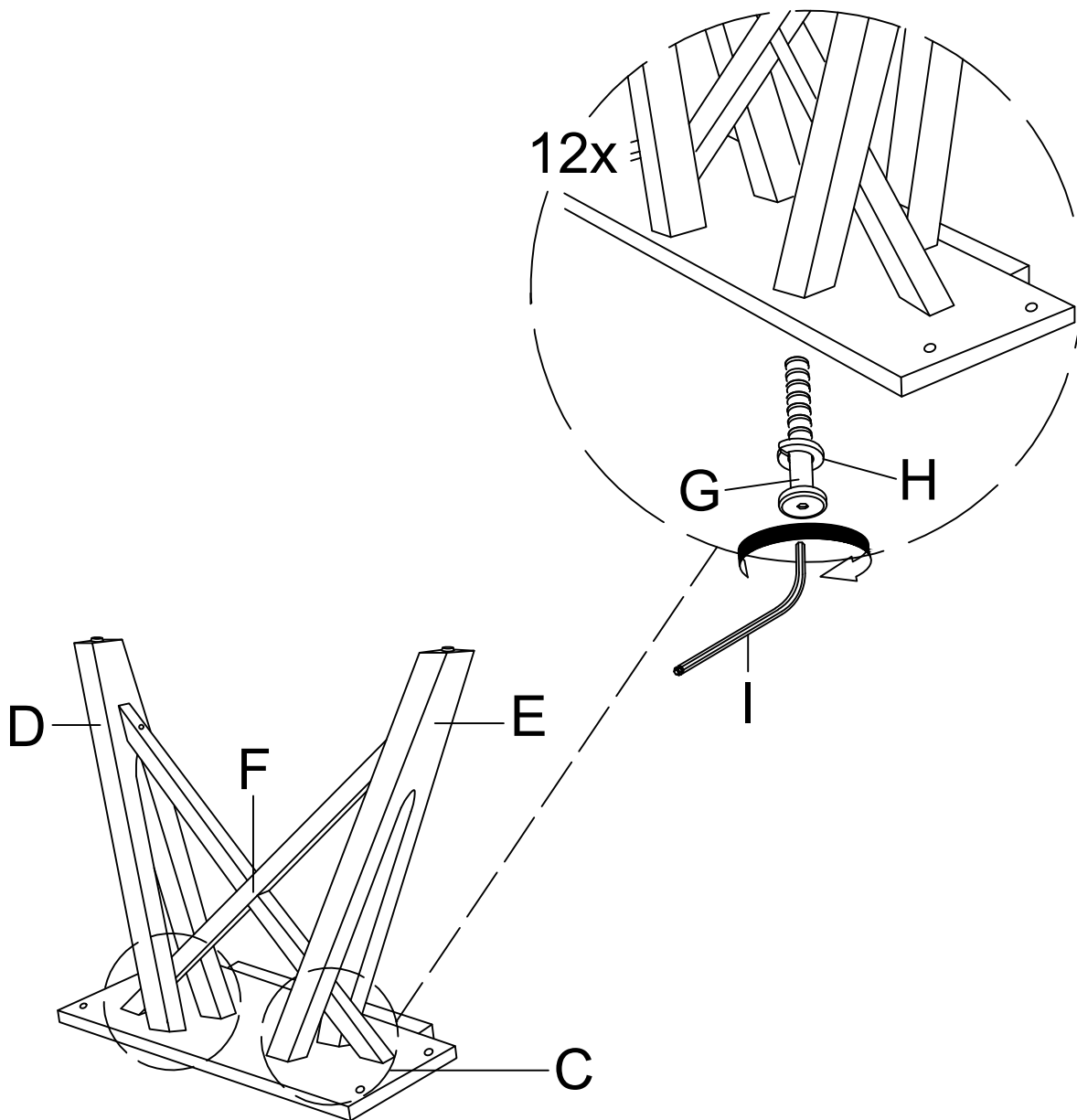
1 Attach the Crossbar (F) together.



2 Attach the Crossbar (F) to the Table Leg Left & Right (D&E) using JCBC Bolt (G) and Spring Washer (H) with the Allen Key (I).

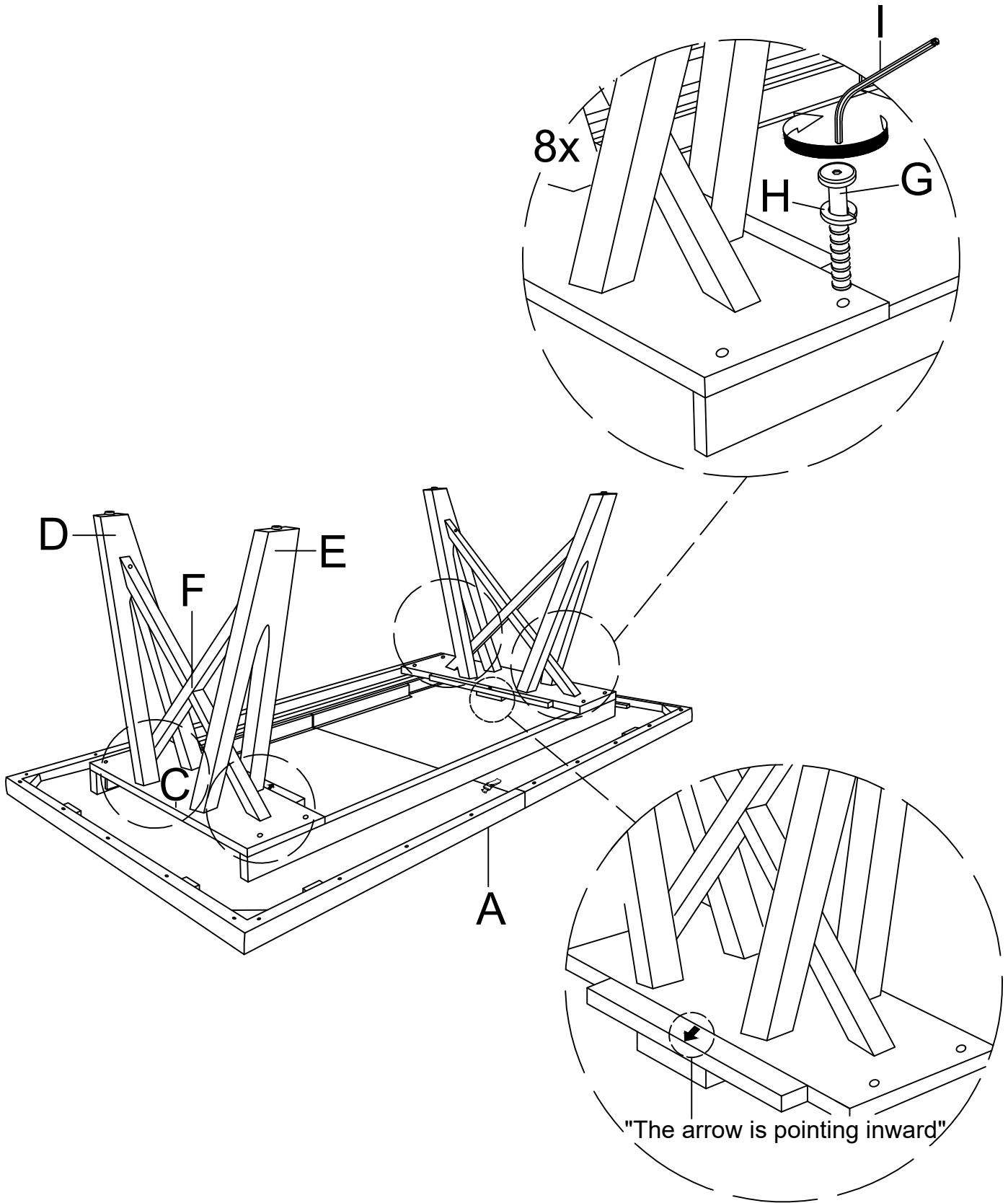


- 3** Attach the assembled Table Leg and Crossbar (D,E,F) to the bottom of the Mounting Plate (C) using JCBC Bolt (G) and Spring Washer (H) with the Allen Key (I).

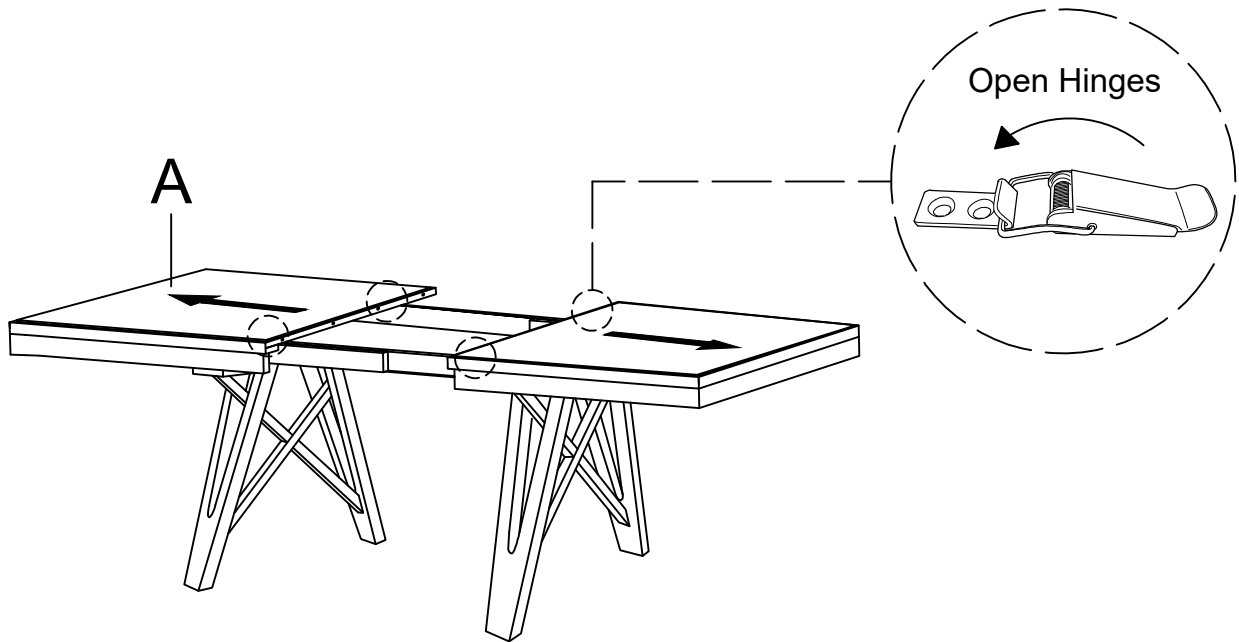


4

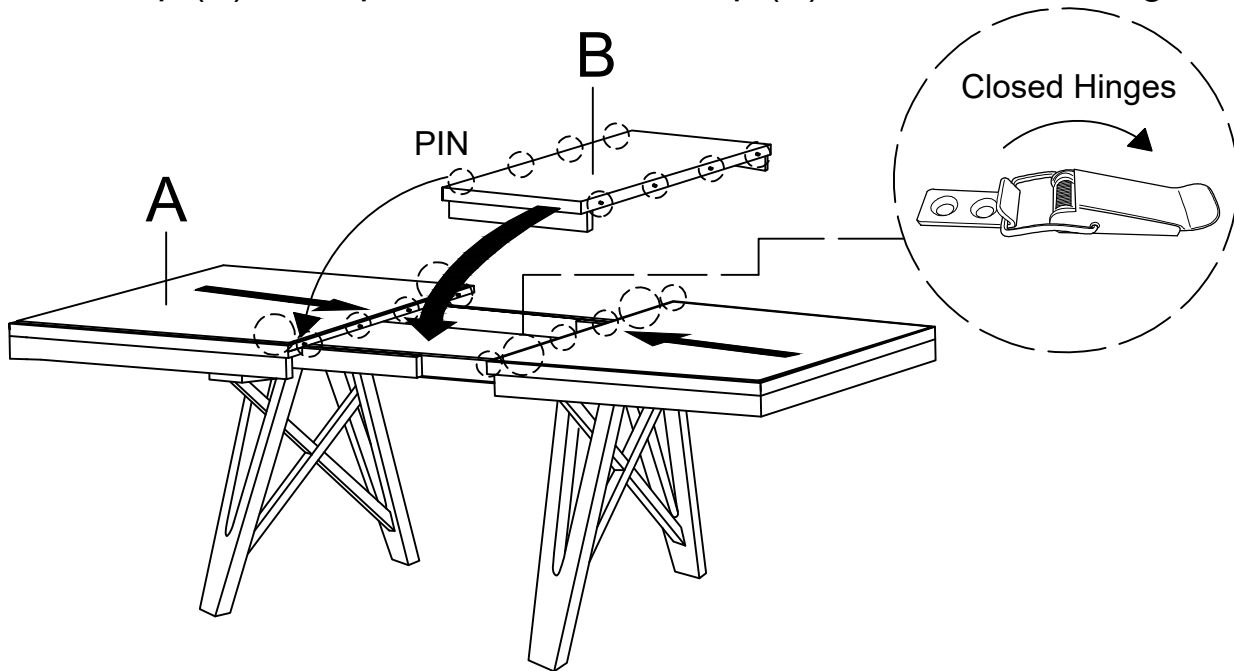
Attach the Mounting Plate (C) to the bottom of the Table Top (A) using JCBC Bolt (G) and Spring Washer (H) with the Allen Key (I).



- 5** Open the hinges and pull out the Table Top (A).



- 6** Insert the pins into the holes on the Table Leaf (B), attach the Table Leaf (B) to the Table Top (A), then push in the Table Top (A) and close the hinges.



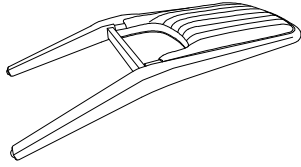
Cleaning & Care

Treat surfaces with care. Surfaces are resistant to scratches but are not scratch resistant. Clean surfaces with a dry or damp soft cloth. Do not use abrasive cleaners. Hardware may loosen over time. Periodically check that all connections are tight.

ASSEMBLY INSTRUCTIONS

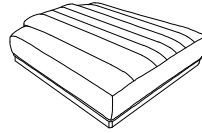
CHANNEL STITCHING DINING CHAIR

A Back Frame



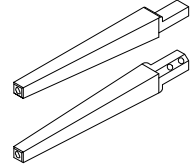
1 pc

B Seat Cushion



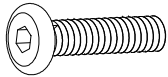
1 pc

C Leg



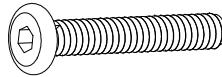
2 pcs

D Bolt
Ø5/16" x 2"



4 pcs

E Bolt
Ø5/16" x 2-3/4"



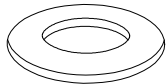
4 pcs

F Lock Washer
Ø5/16" x Ø1/2"



8 pcs

G Flat Washer
Ø5/16" x Ø3/4"

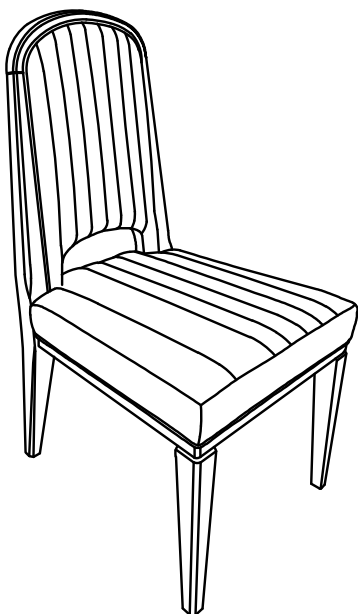


8 pcs

H Allen Key
2-1/4" x 1/8"

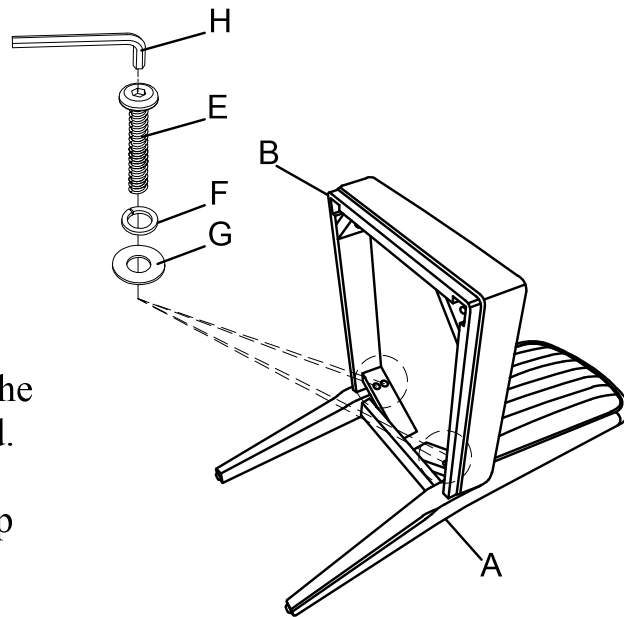


1 pc



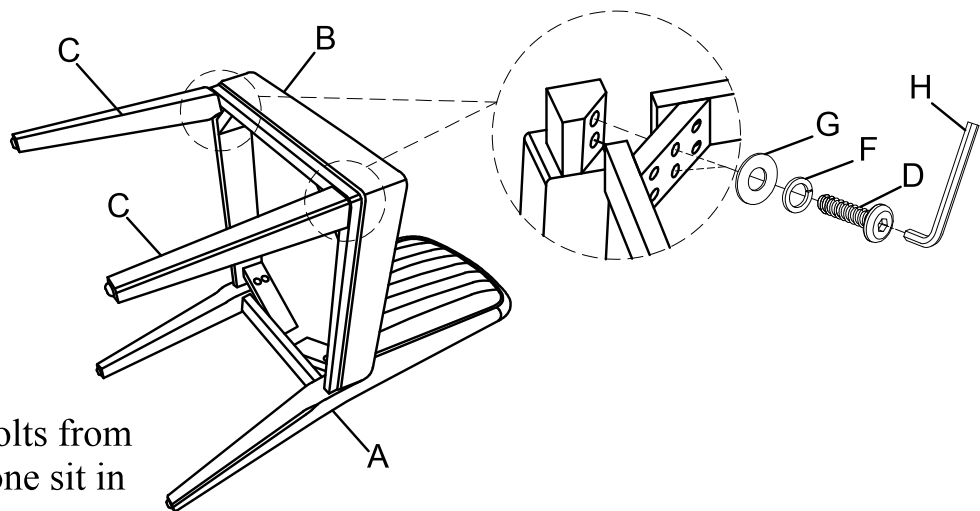
This page lists all the contents included in the box. Please take the time to identify the hardware as well as the individual components to this product. As you unpack and prepare for assembly, place the contents on a carpeted or padded area to protect them from damage.

-
- 1** Attach the Seat Cushion (B) to the Back Frame (A) using Bolt (E), Lock Washer (F) and Flat Washer (G) with the Allen Key (H).



Take the Allen Key and turn the bolts until the legs are secured. **DO NOT TIGHTEN THE BOLTS COMPLETELY.** Stop when you feel you are adding force to tighten the bolts.

-
- 2** Attach the Leg (C) to the Seat Cushion (B) using Bolt (D), Lock Washer (F) and Flat Washer (G) with the Allen Key (H).



Helpful Tips

*While tightening the bolts from underneath, have someone sit in the chair.

Stand the chair on an even surface and check for balance. If the chair wobbles slightly, apply downward pressure on the uneven leg and tighten the bolts to correct the imbalance. Once the chair is balanced, apply downward pressure evenly in the center of the chair and tighten all bolts, being careful not to over-tighten beyond the hole depth.

Cleaning & Care

Treat surfaces with care. Surfaces are resistant to scratches but are not scratch resistant. Clean surfaces with a dry or damp soft cloth. Do not use abrasive cleaners. Hardware may loosen over time. Periodically check that all connections are tight.