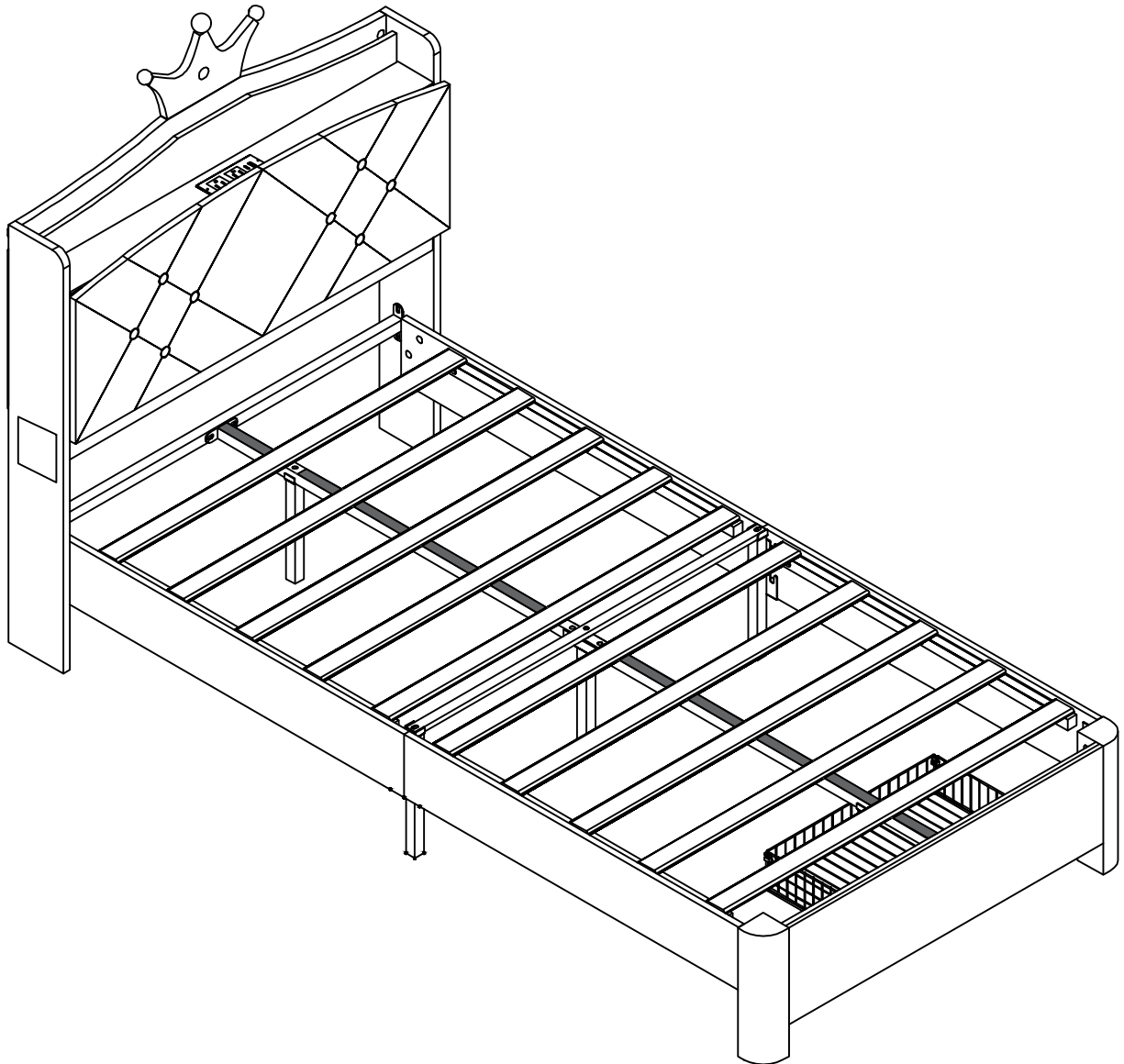
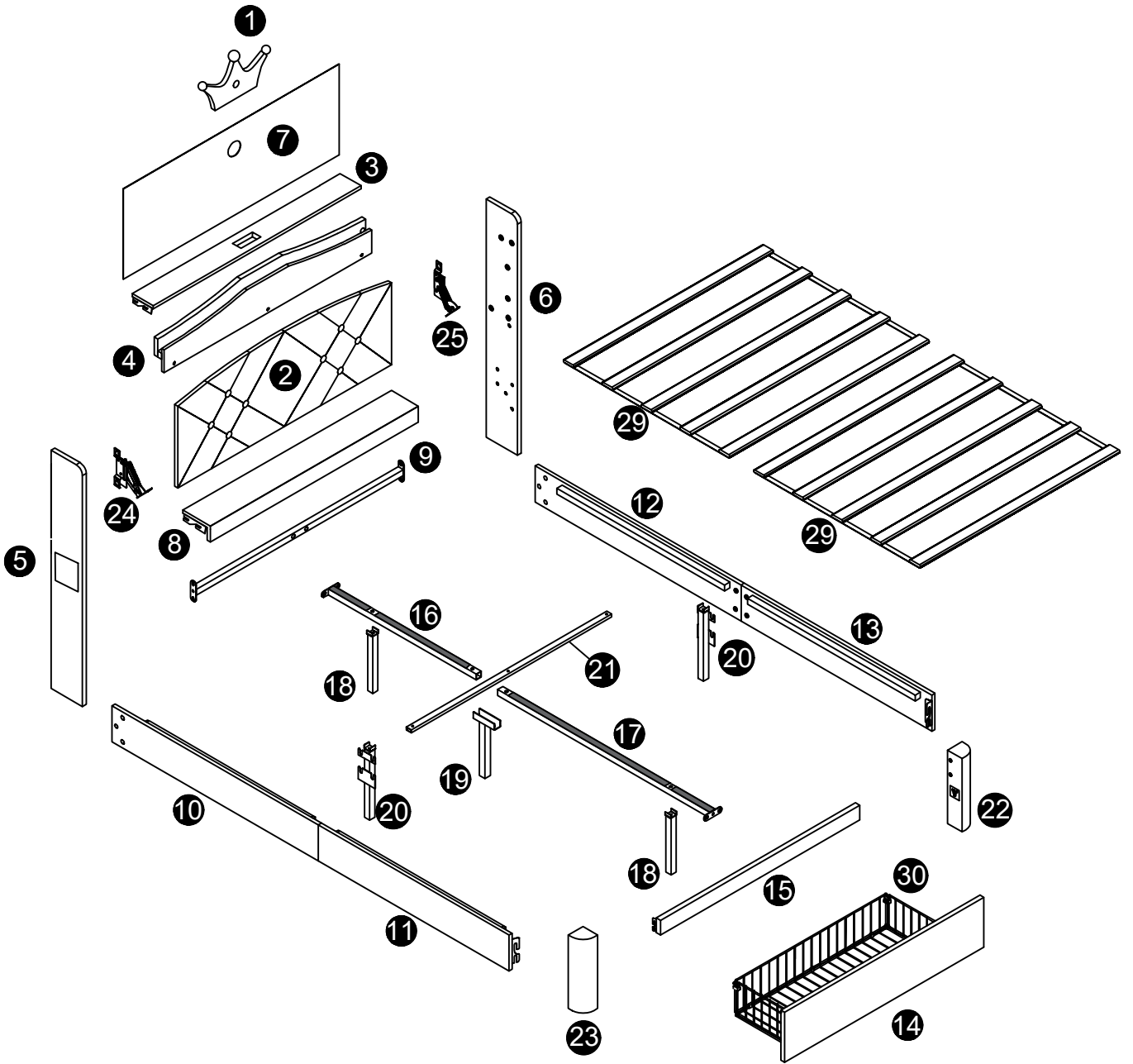


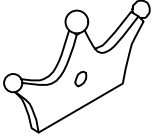
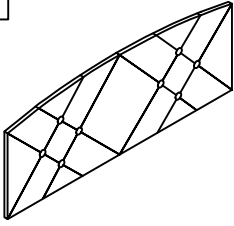
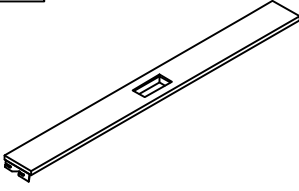
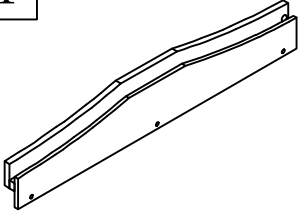
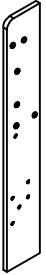

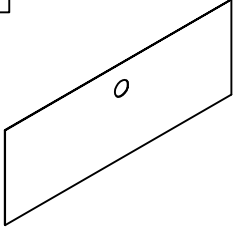
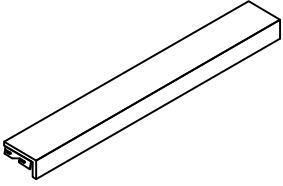
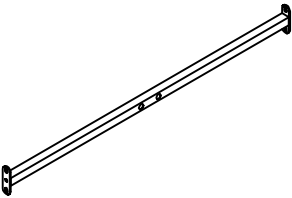
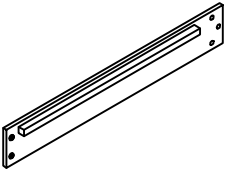
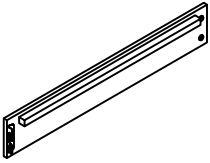
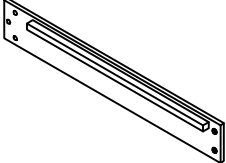
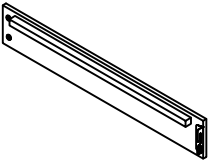
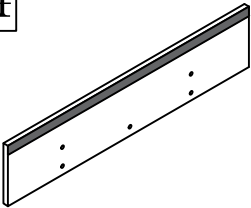
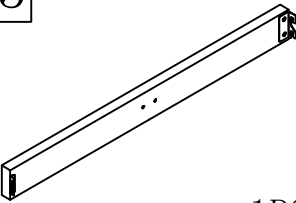



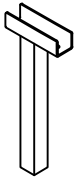

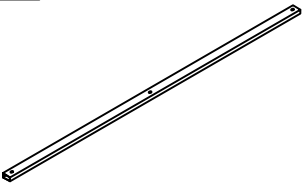
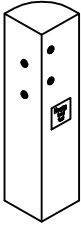

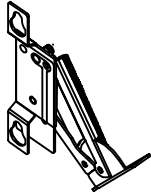
Version:1.0

Installation & Assembly

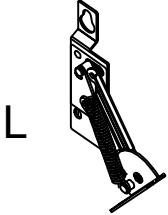
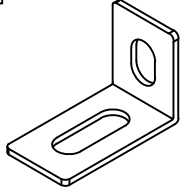
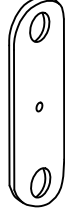
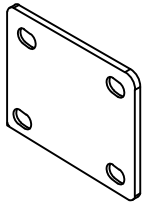
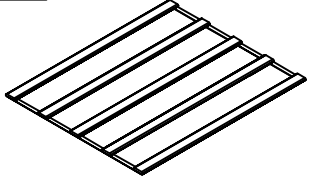
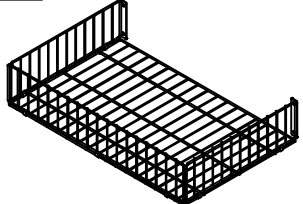
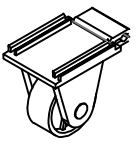
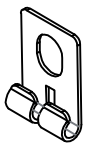
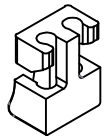
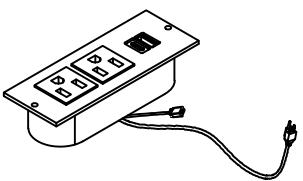

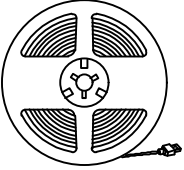
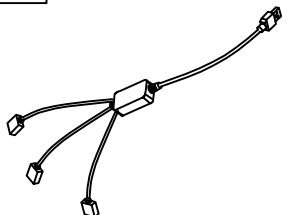





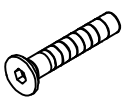
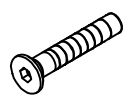
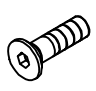



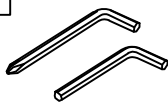
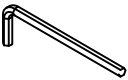
Part list

<p>1</p>  <p>1PC</p>	<p>2</p>  <p>1PC</p>	<p>3</p>  <p>1PC</p>	<p>4</p>  <p>1PC</p>
<p>5</p>  <p>1PC</p>	<p>6</p>  <p>1PC</p>	<p>7</p>  <p>1PC</p>	<p>8</p>  <p>1PC</p>
<p>9</p>  <p>1PC</p>	<p>10</p>  <p>1PC</p>	<p>11</p>  <p>1PC</p>	<p>12</p>  <p>1PC</p>
<p>13</p>  <p>1PC</p>	<p>14</p>  <p>1PC</p>	<p>15</p>  <p>1PC</p>	<p>16</p> <p>short</p>  <p>1PC</p>
<p>17</p> <p>long</p>  <p>1PC</p>	<p>18</p>  <p>2PCS</p>	<p>19</p>  <p>1PC</p>	<p>20</p>  <p>2PCS</p>
<p>21</p>  <p>1PC</p>	<p>22</p>  <p>1PC</p>	<p>23</p>  <p>1PC</p>	<p>24</p> <p>R</p>  <p>1PC</p>



Part list

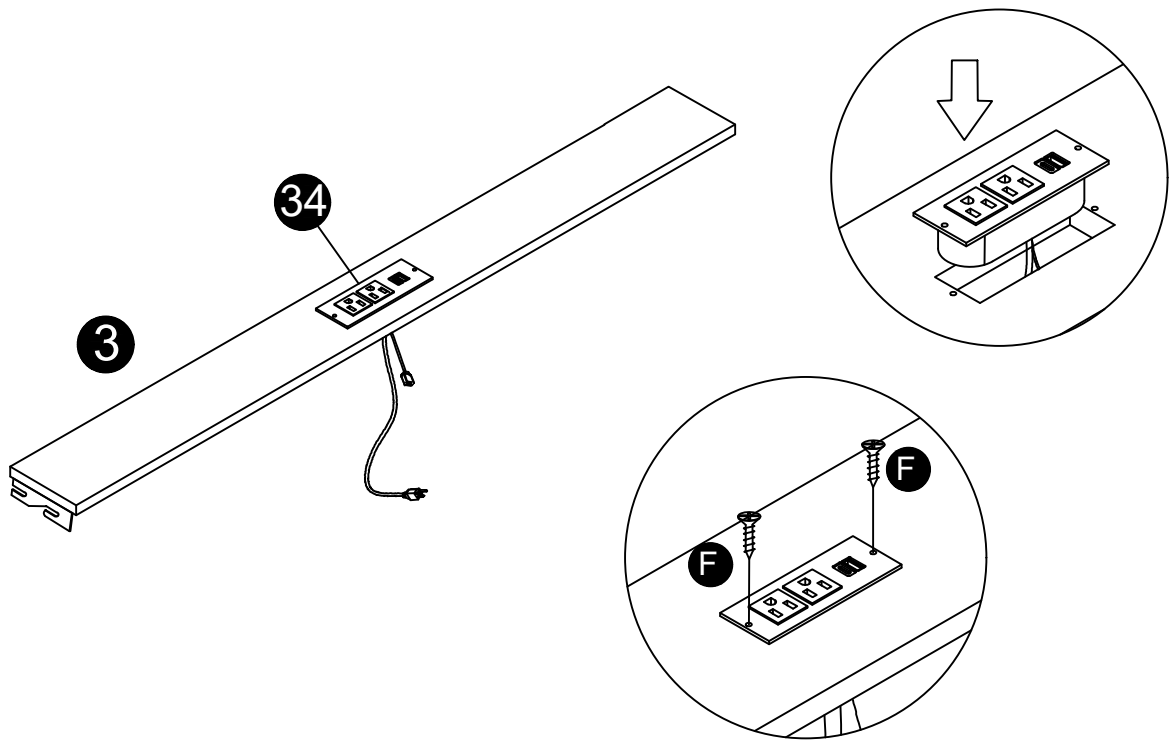
<p>25</p>  <p>L</p> <p>1PC</p>	<p>26</p>  <p>2PCS</p>	<p>27</p>  <p>2PCS</p>	<p>28</p>  <p>1PC</p>
<p>29</p>  <p>2PCS</p>	<p>30</p>  <p>1PC</p>	<p>31</p>  <p>4PCS</p>	<p>32</p>  <p>1PC</p>
<p>33</p>  <p>2PCS</p>	<p>34</p>  <p>1PC</p>	<p>35</p>  <p>smaller</p> <p>1PC</p>	<p>36</p>  <p>longer</p> <p>2PCS</p>
<p>37</p>  <p>1PC</p>	<p>38</p>  <p>1PC</p>		

Hardware list



<p>A</p>  <p>M8*50mm</p> <p>1PC</p>	<p>B</p>  <p>M8*35mm</p> <p>13PCS</p>	<p>C</p>  <p>M8*15mm</p> <p>22PCS</p>	<p>D</p>  <p>M6*25mm</p> <p>3PCS</p>	<p>E</p>  <p>M6*12mm</p> <p>9PCS</p>
<p>F</p>  <p>M4*12mm</p> <p>3PCS</p>	<p>G</p>  <p>M5*65MM</p> <p>1PC</p>	<p>H</p>  <p>M4*65MM</p> <p>1PC</p>		

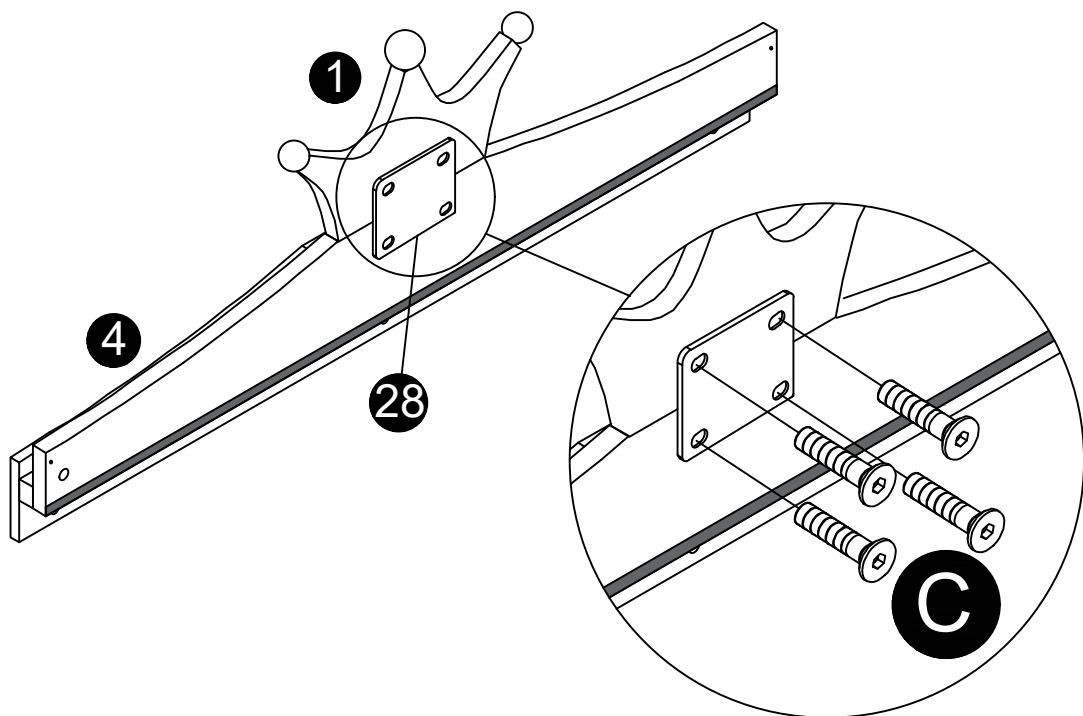
Step1

F		M4x12mm	2pcs
G		M5*65MM	1pc

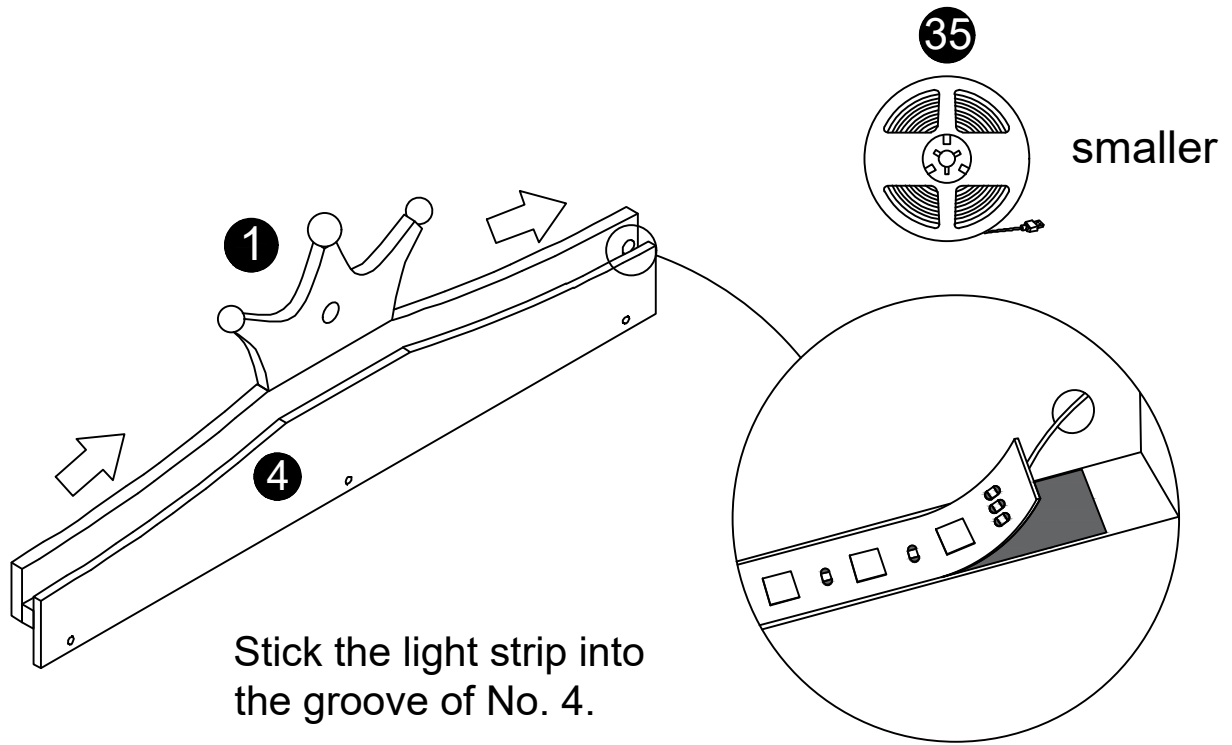


Step2


C		M8*15mm	4pcs
G		M5*65MM	1pc

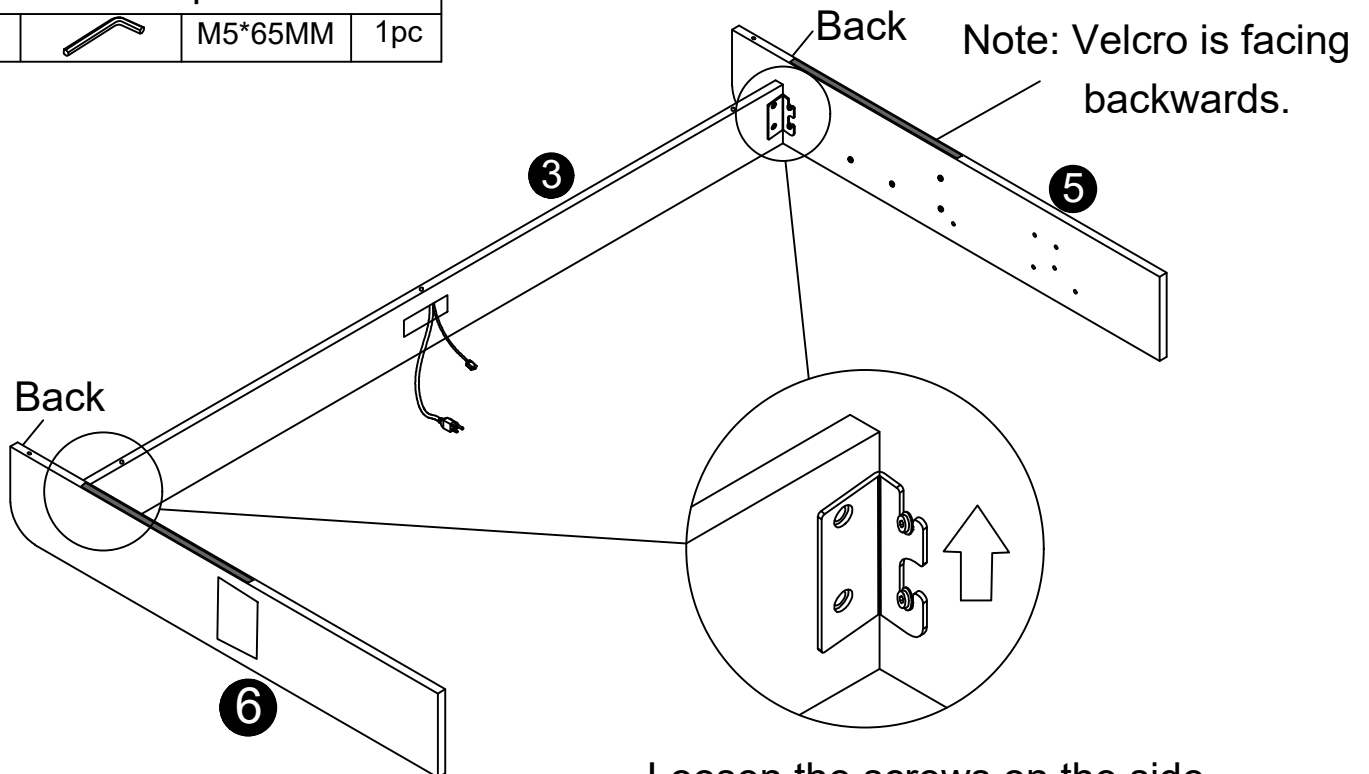


Step3





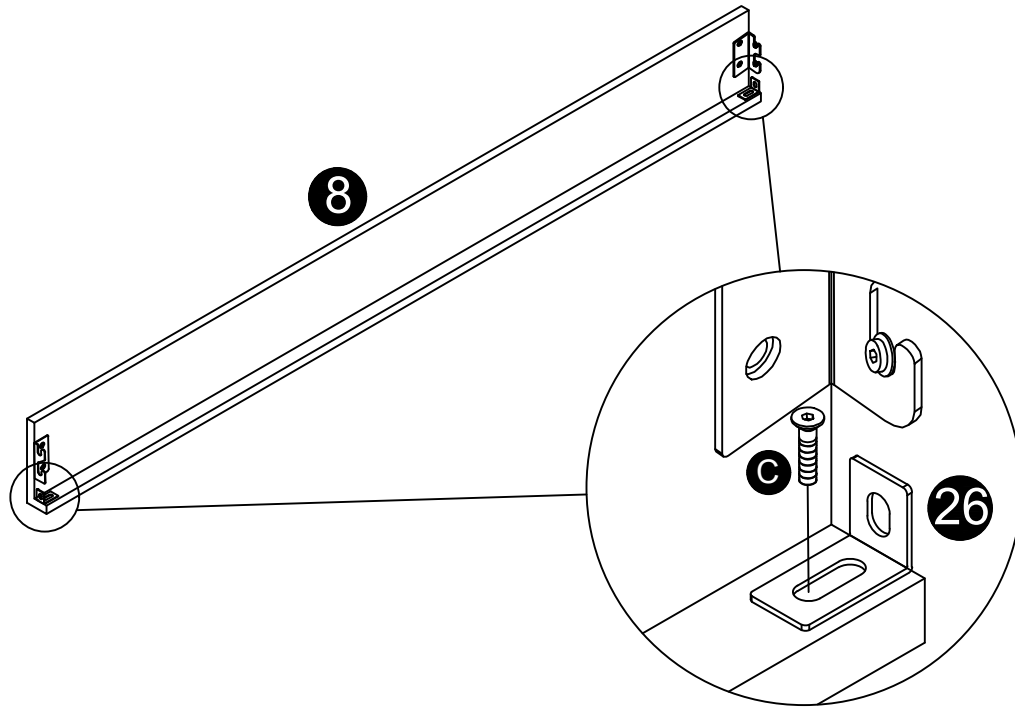
Step4

G		M5*65MM	1pc
---	---	---------	-----





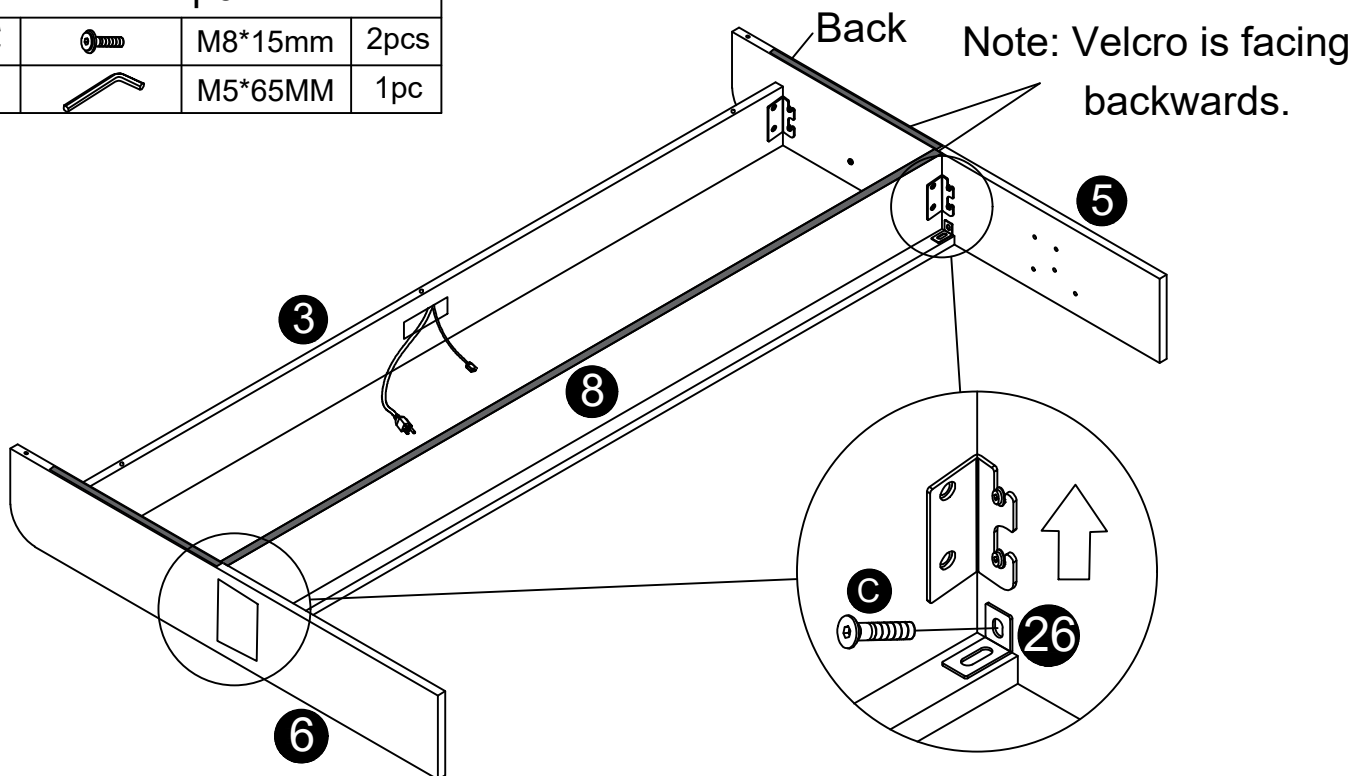
Step5

C		M8*15mm	2pcs
G		M5*65MM	1pc





Step6

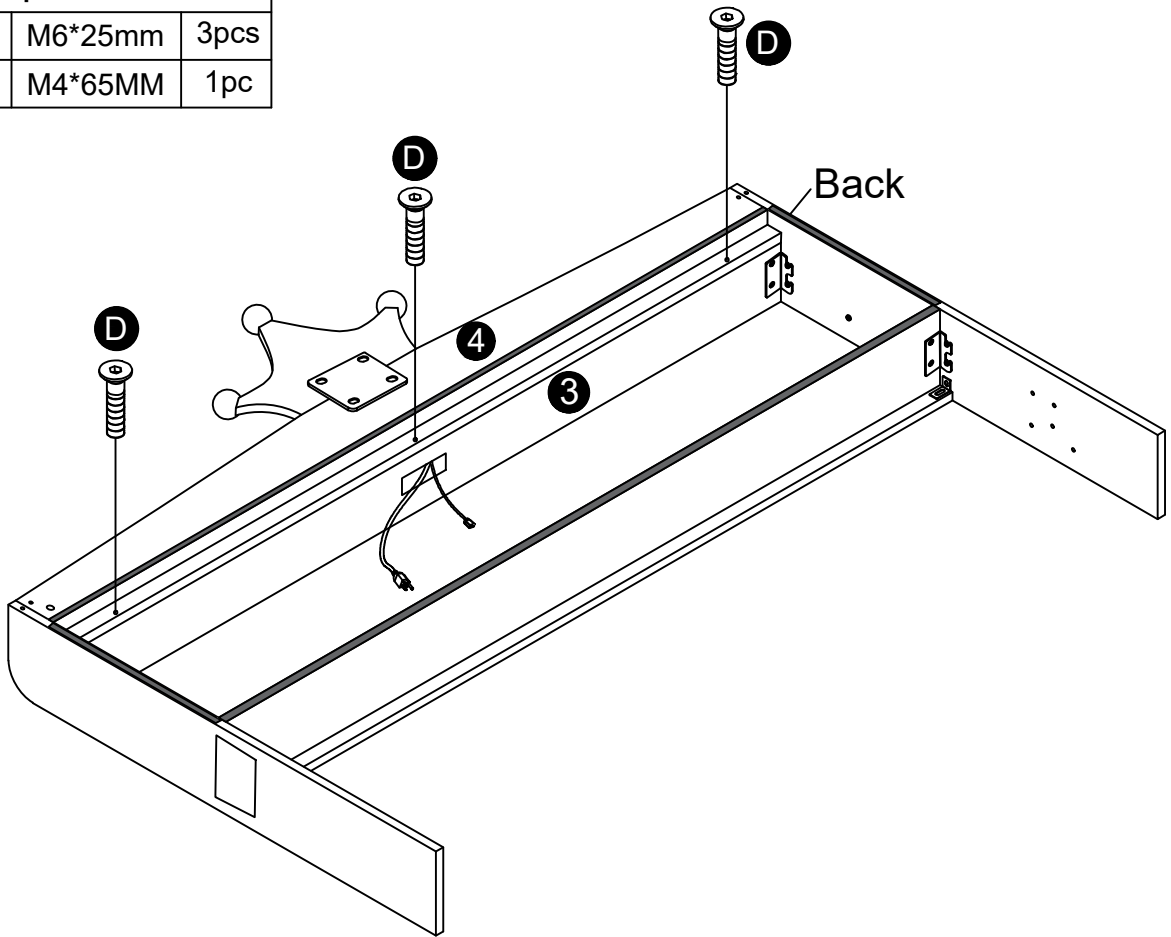
C		M8*15mm	2pcs
G		M5*65MM	1pc





Loosen the screws on the side board, hang the brackets and tighten the screws.

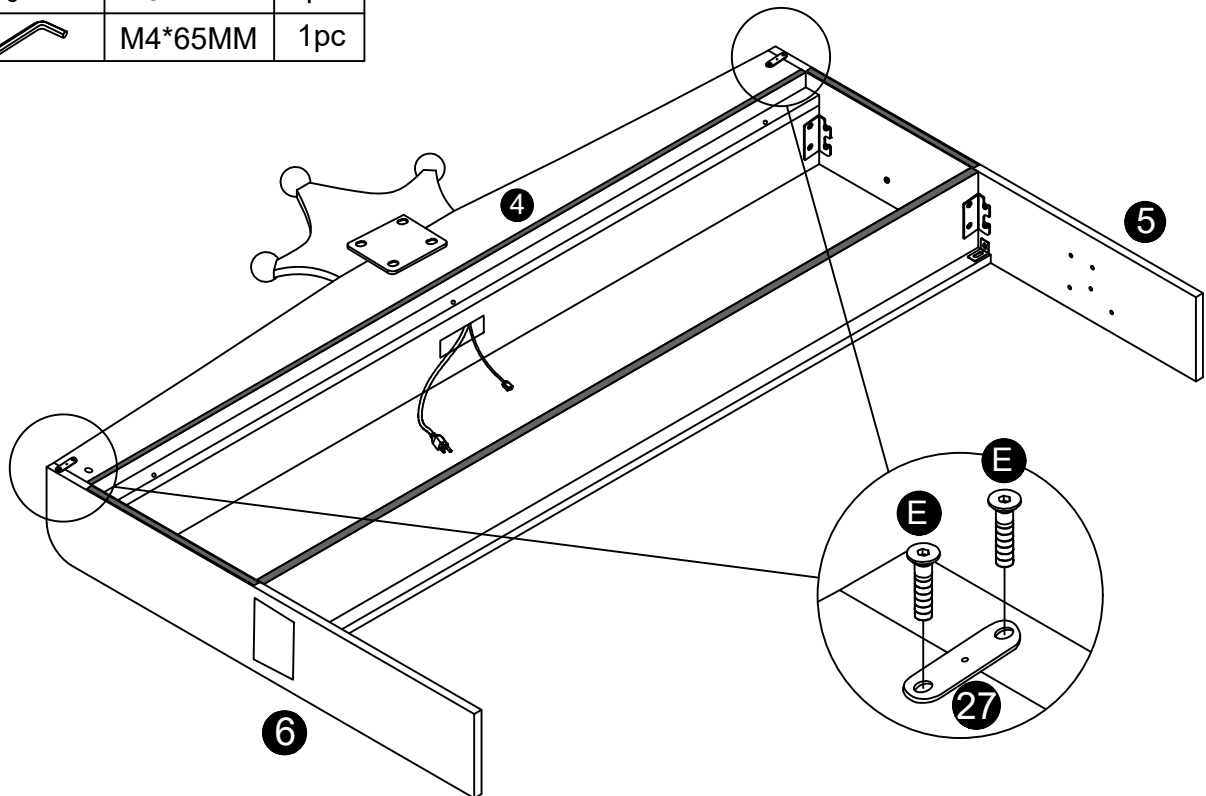
Step7

D		M6*25mm	3pcs
H		M4*65MM	1pc





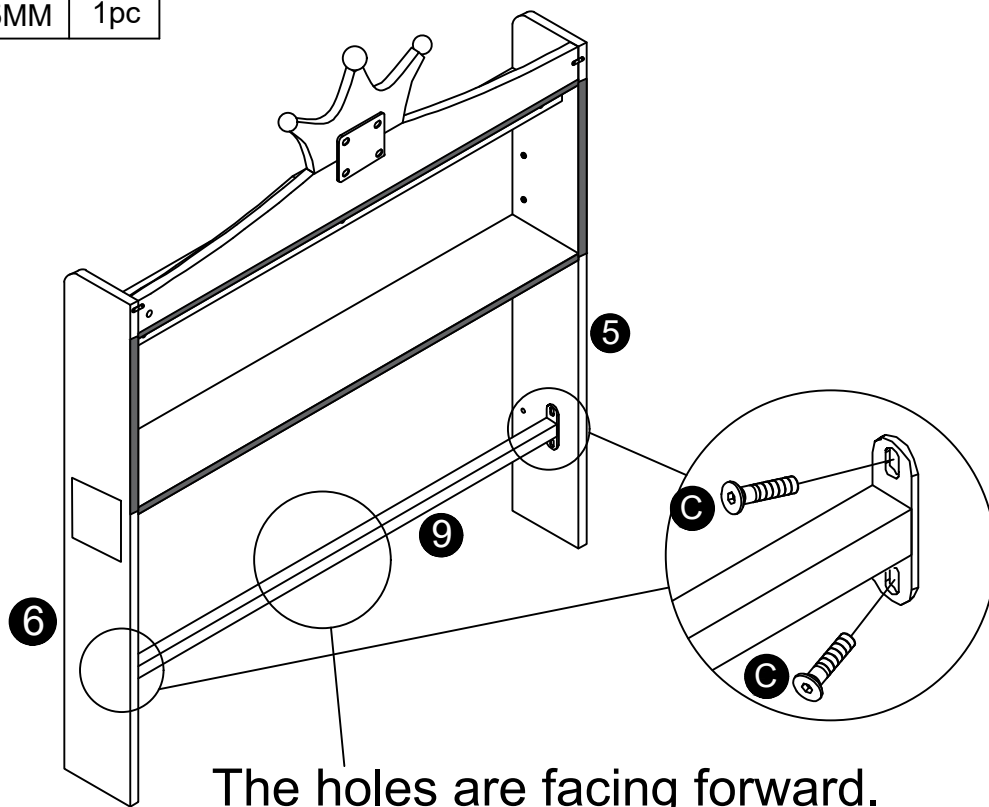
Step8

E		M6*12mm	4pcs
H		M4*65MM	1pc





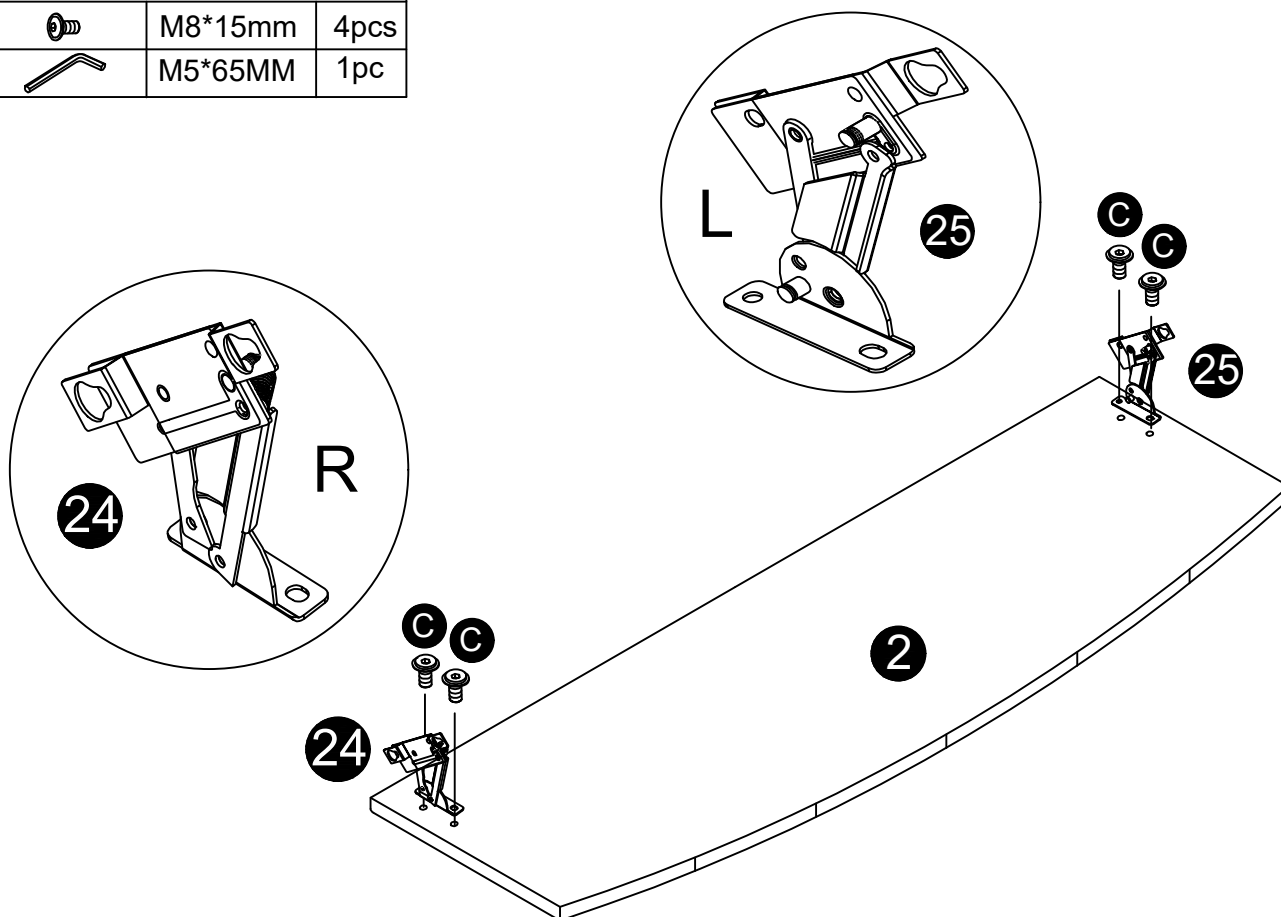
Step9

C		M8*15mm	4pcs
G		M5*65MM	1pc



Step10

C		M8*15mm	4pcs
G		M5*65MM	1pc



Step11

G

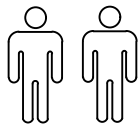


M5*65MM

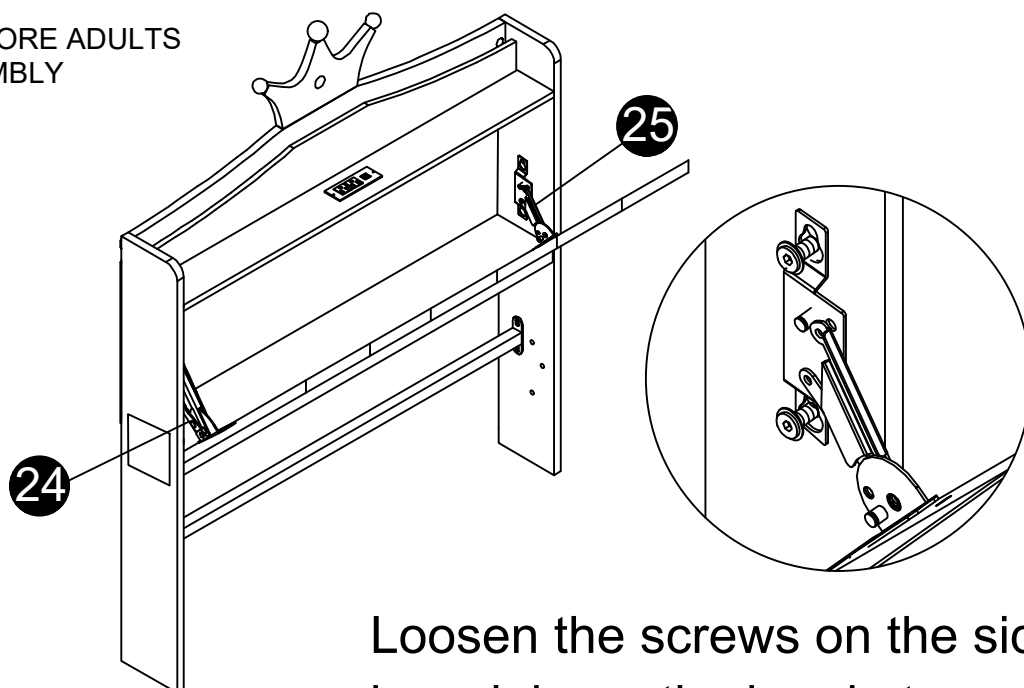
1pc



RECOMMEND 2 OR MORE ADULTS
FOR QUICKER ASSEMBLY

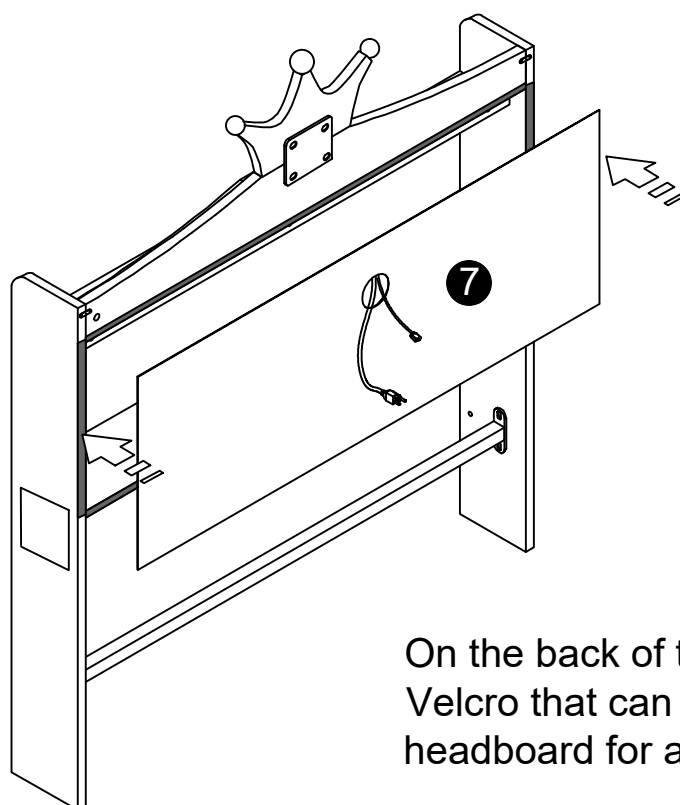


2PERS





Loosen the screws on the side board, hang the brackets and tighten the screws.

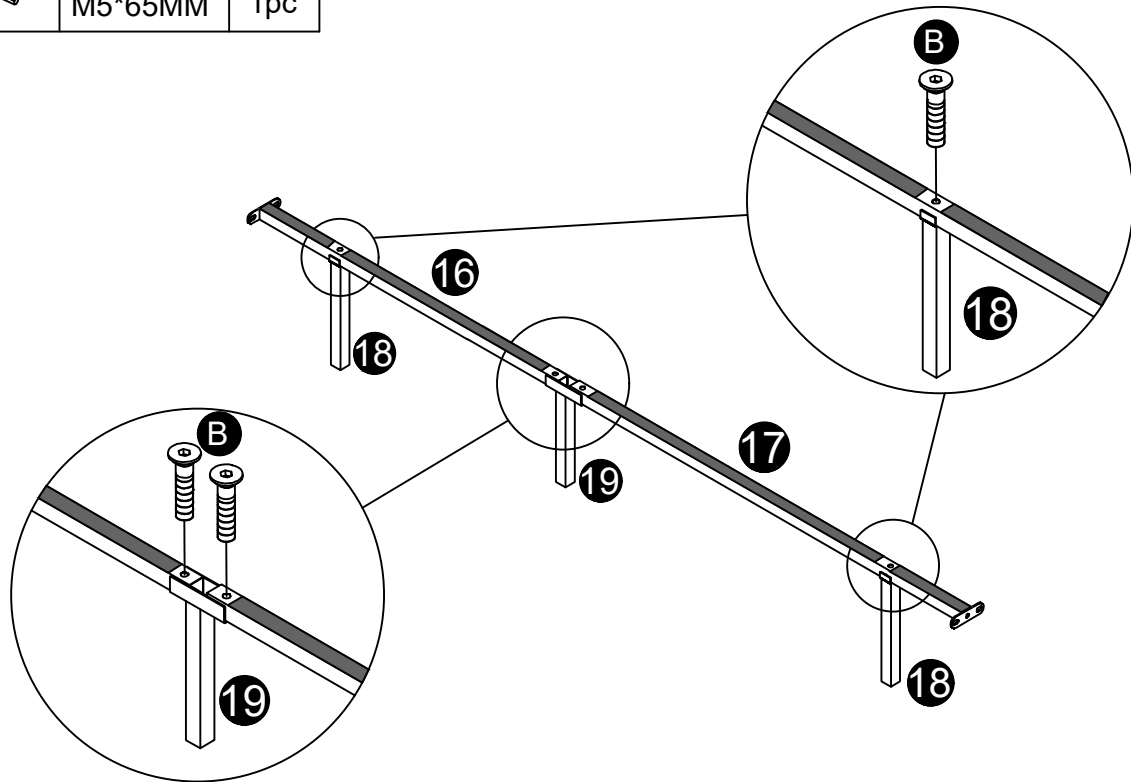
Step12






On the back of the 7, there is a Velcro that can be fixed to the headboard for adhesion

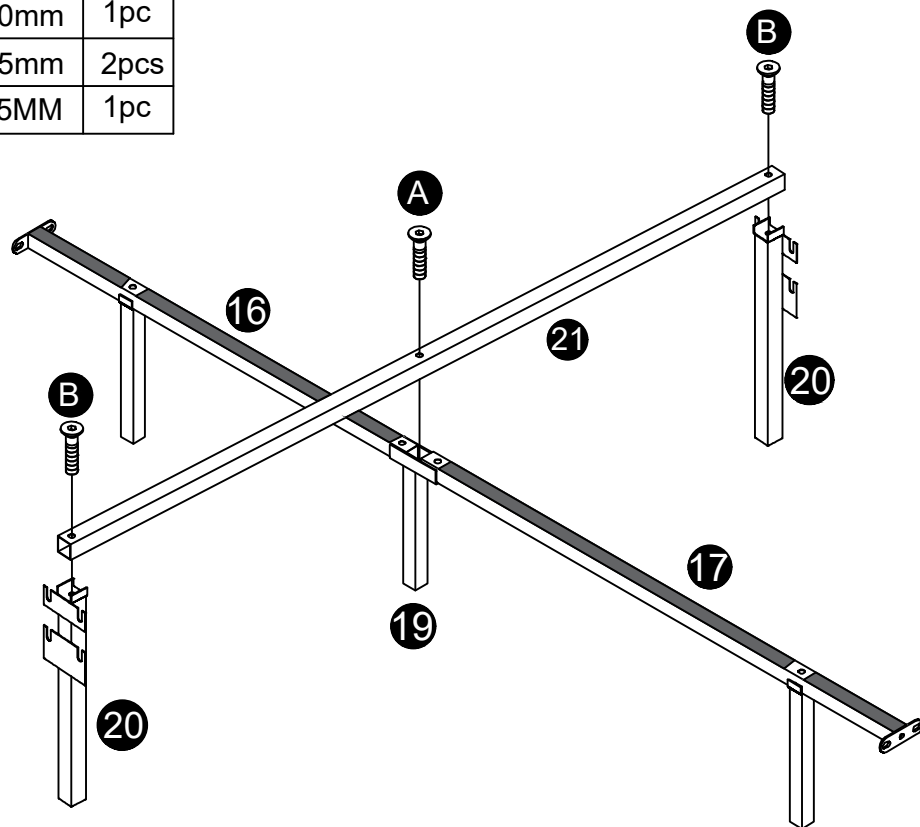
Step13

B		M8*35mm	4pcs
G		M5*65MM	1pc



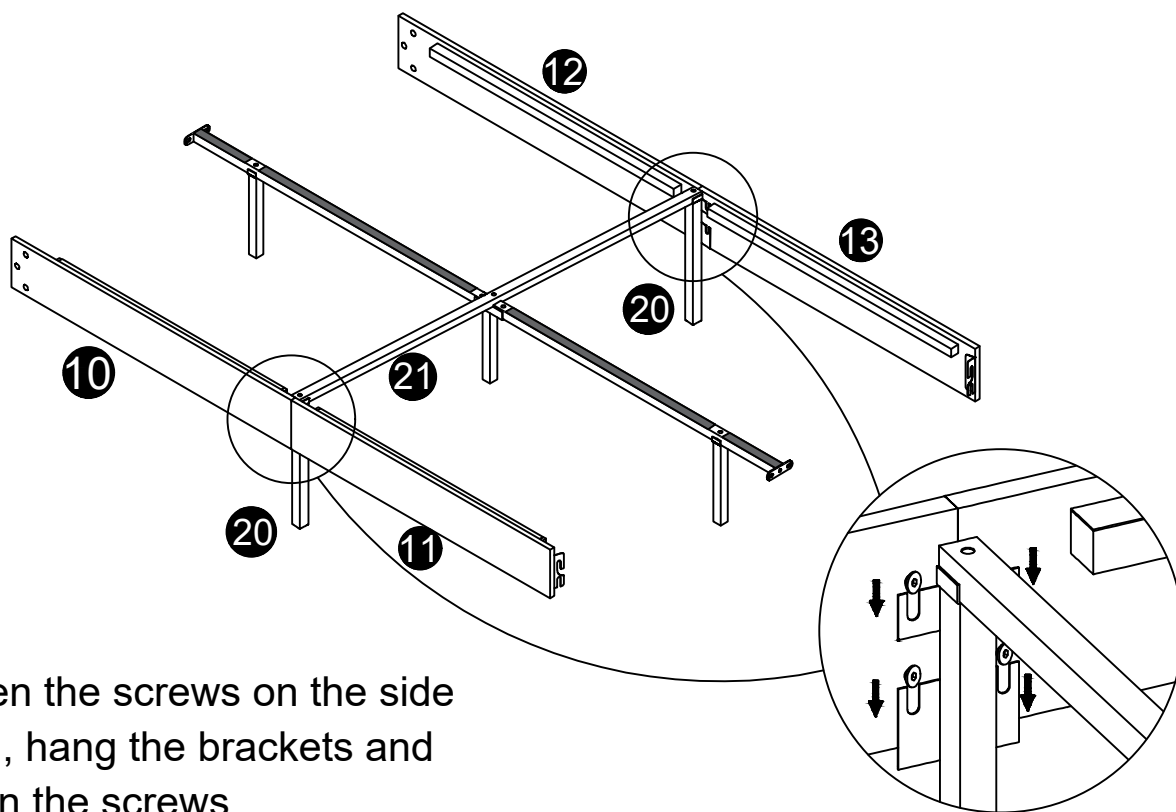
Step14

A		M8*50mm	1pc
B		M8*35mm	2pcs
G		M5*65MM	1pc



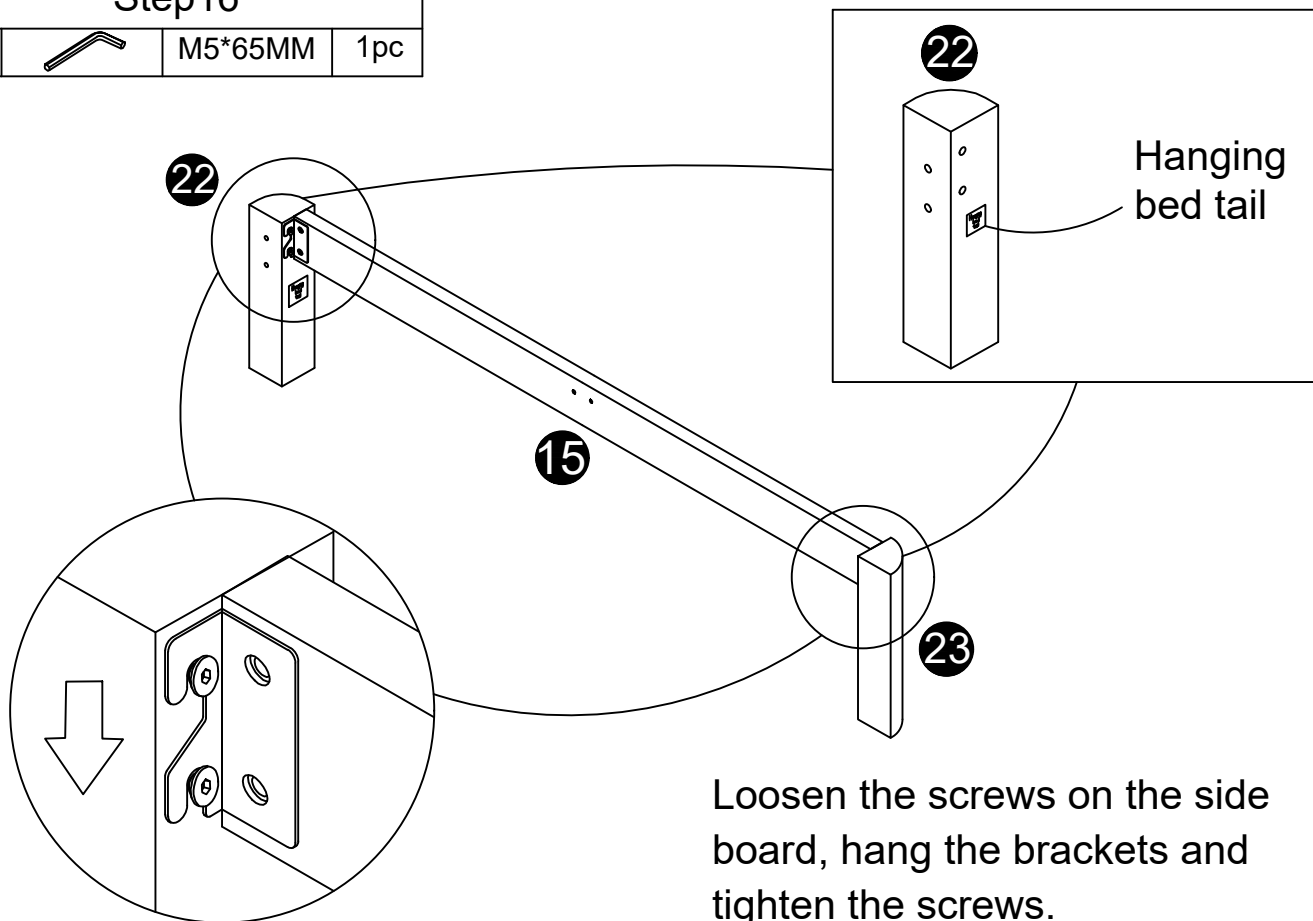
Step15

G		M5*65MM	1pc
---	---	---------	-----





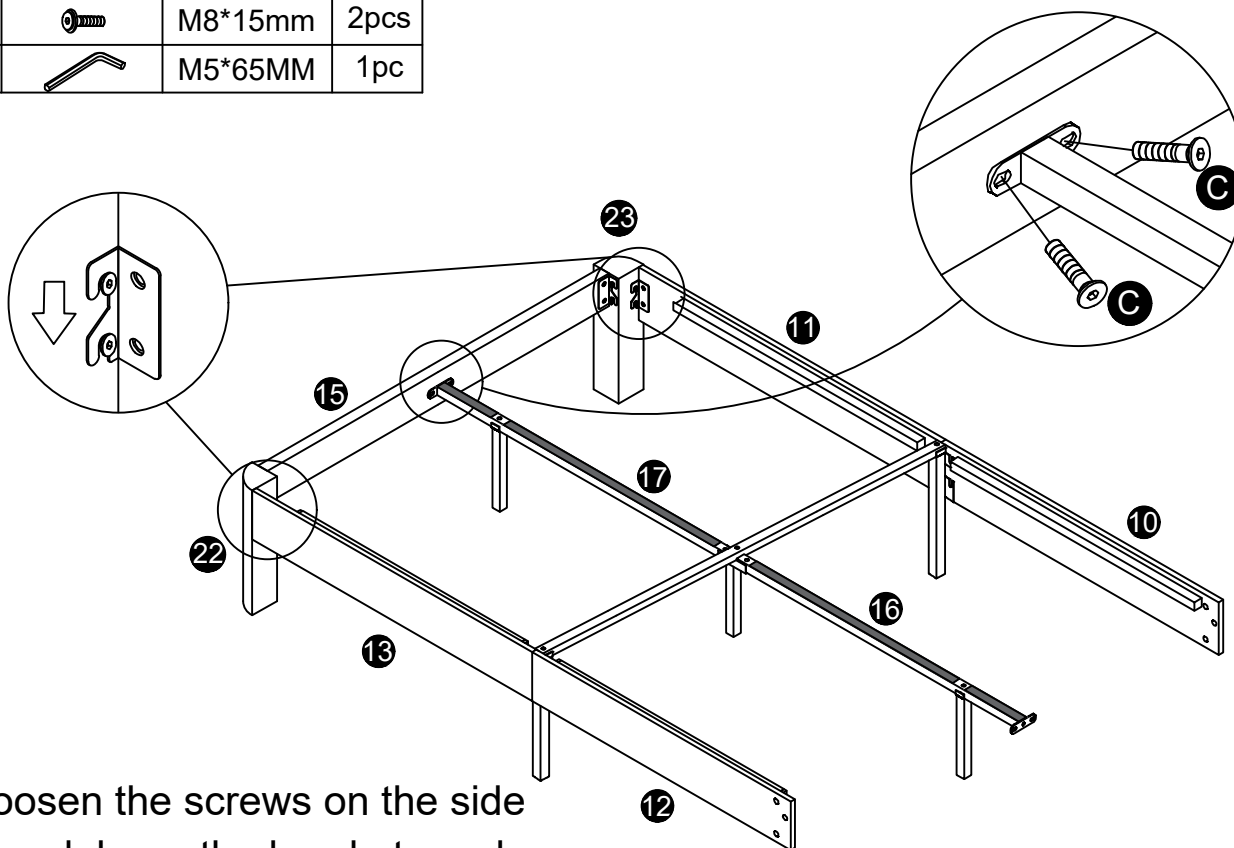
Step16

G		M5*65MM	1pc
---	---	---------	-----






Step17

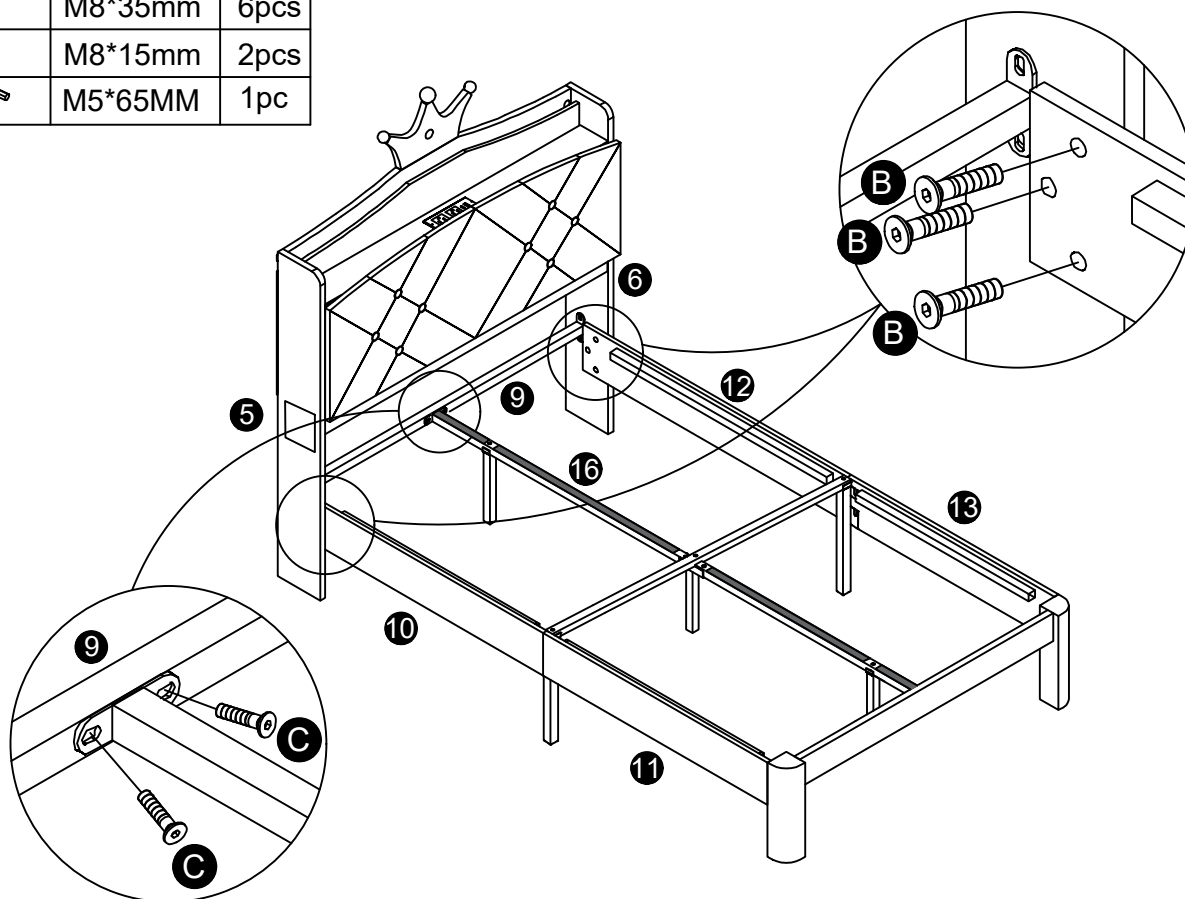
C		M8*15mm	2pcs
G		M5*65MM	1pc



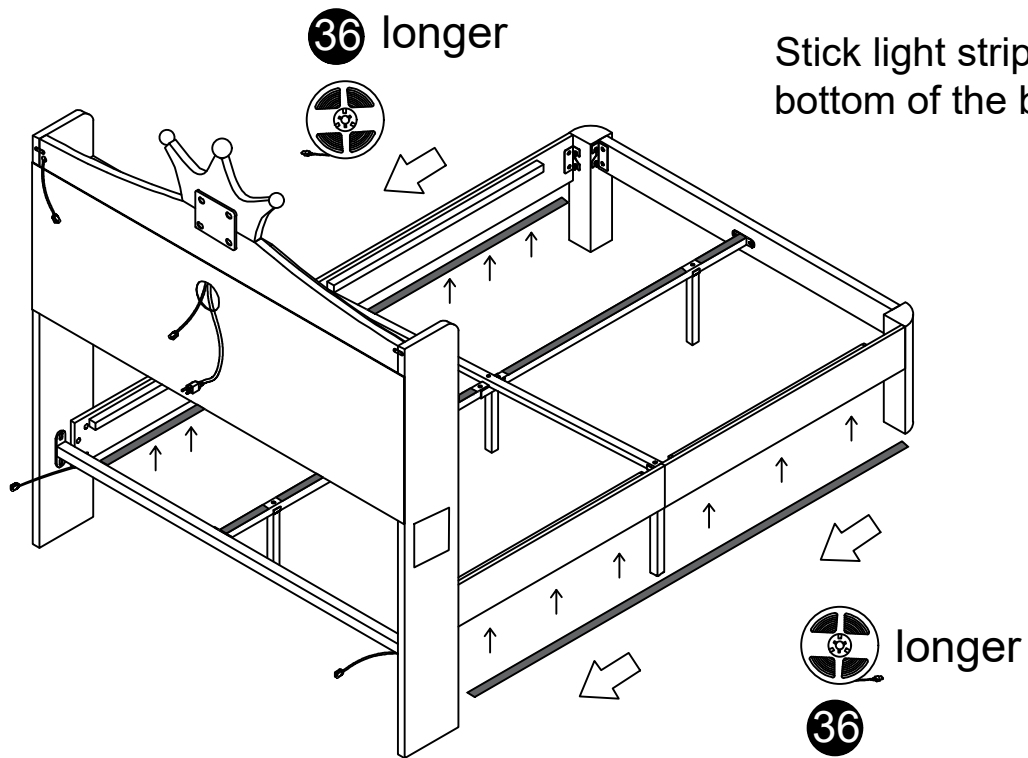
Loosen the screws on the side board, hang the brackets and tighten the screws.

Step18

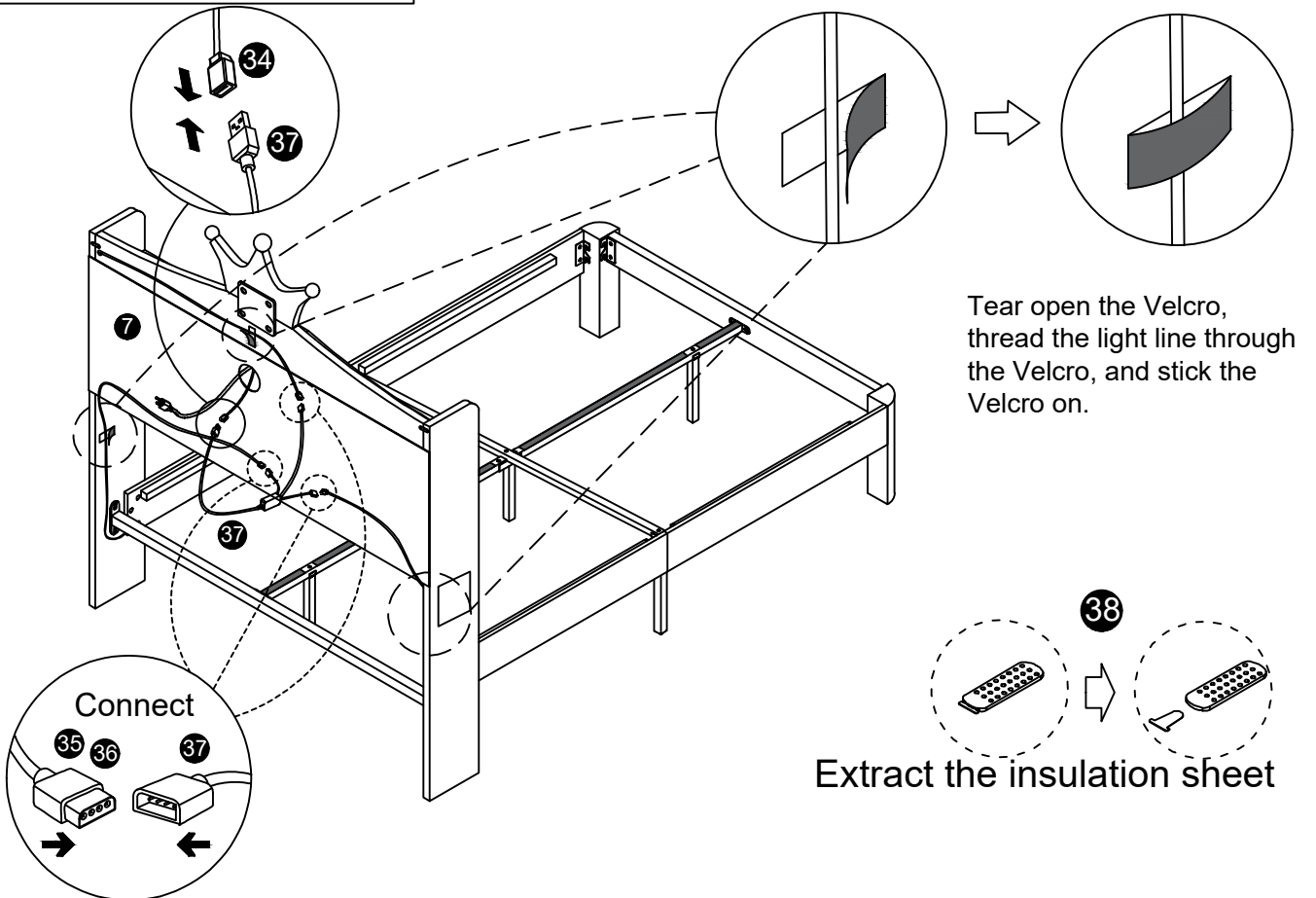
B		M8*35mm	6pcs
C		M8*15mm	2pcs
G		M5*65MM	1pc



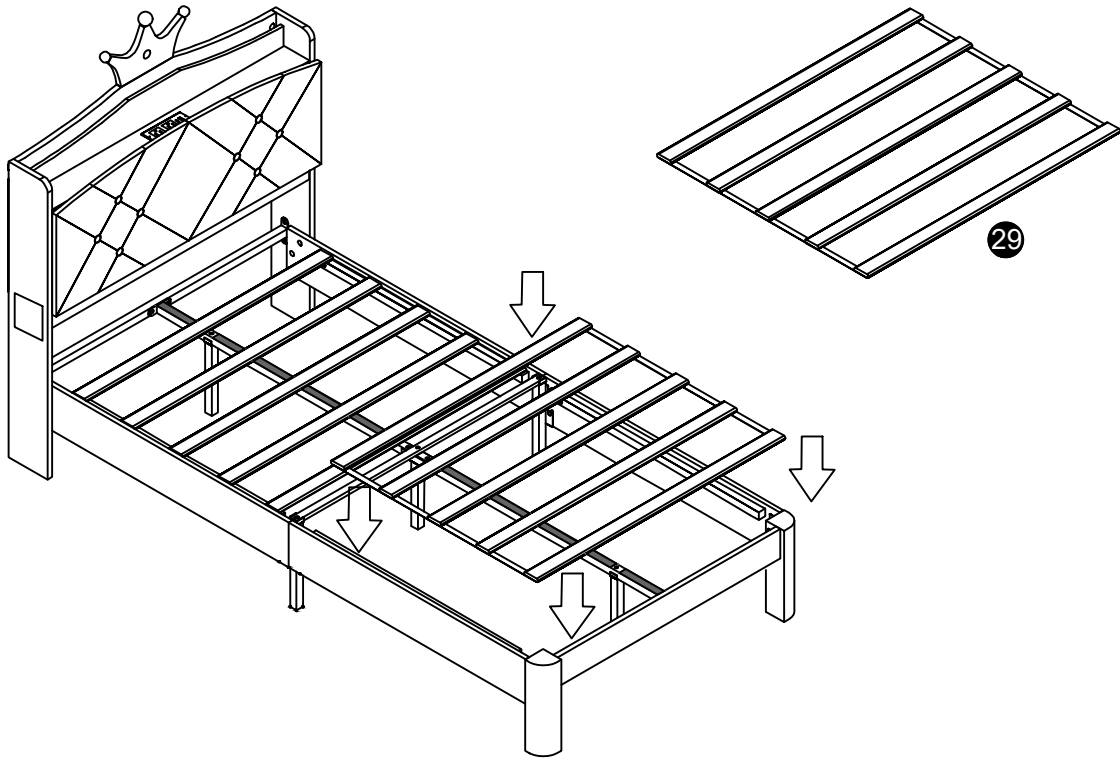
Step19



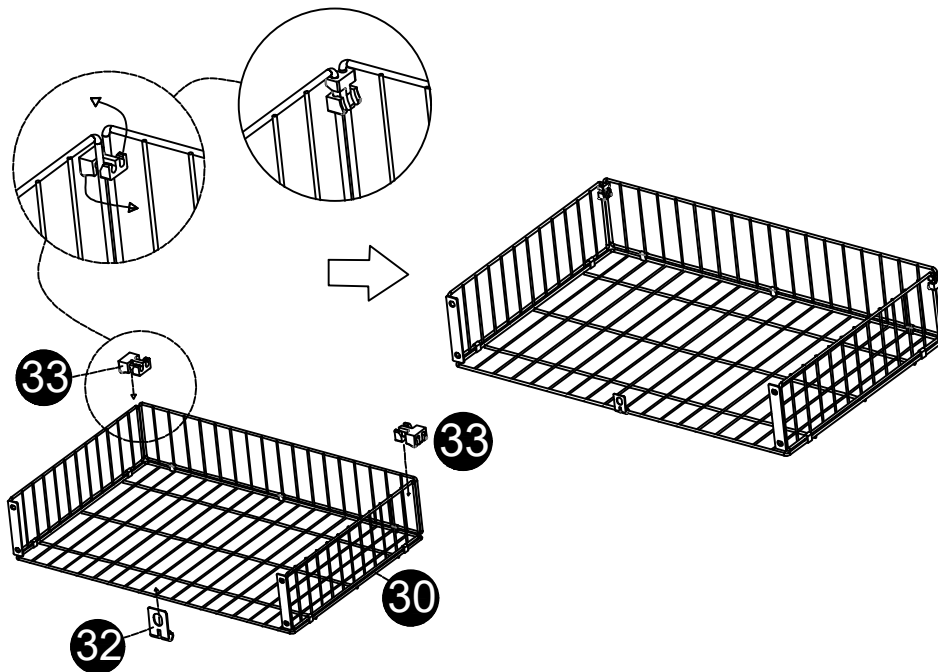
Step20



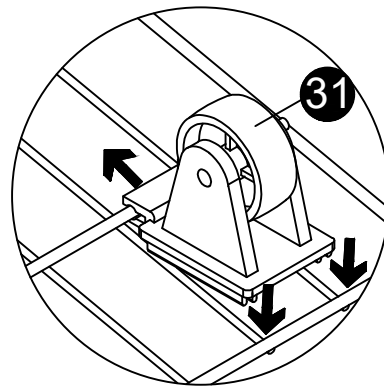
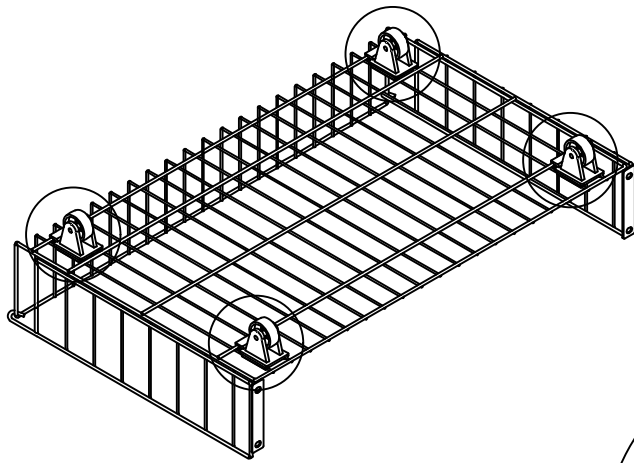
Step21





Step22

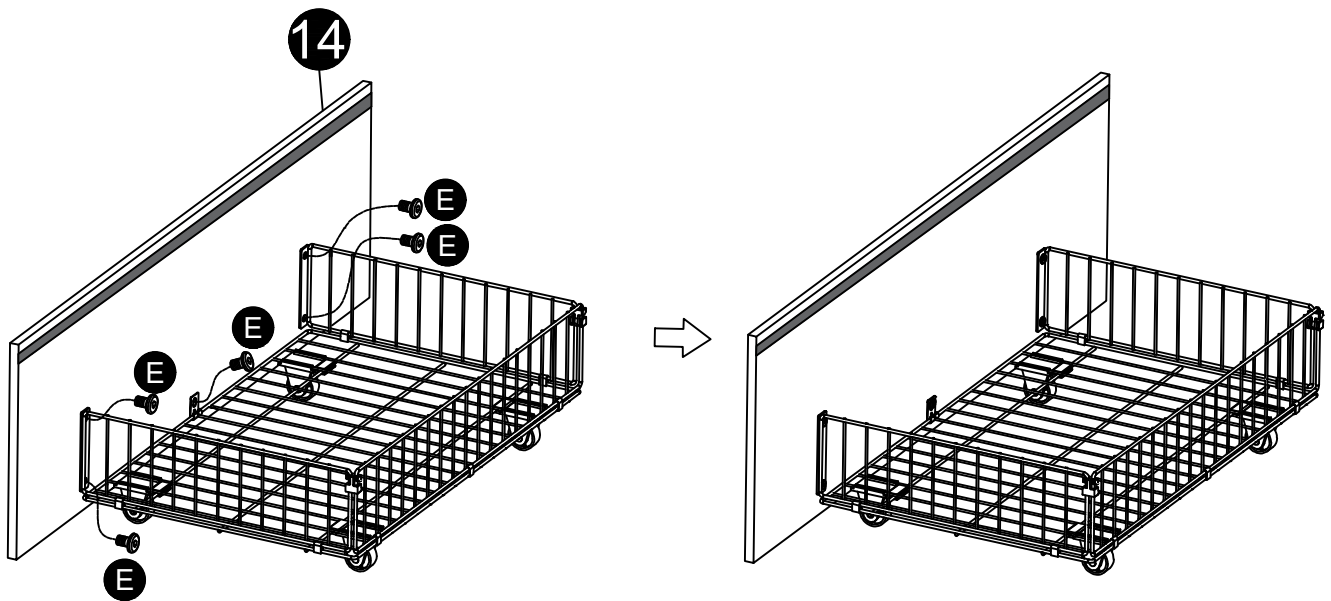


Step23

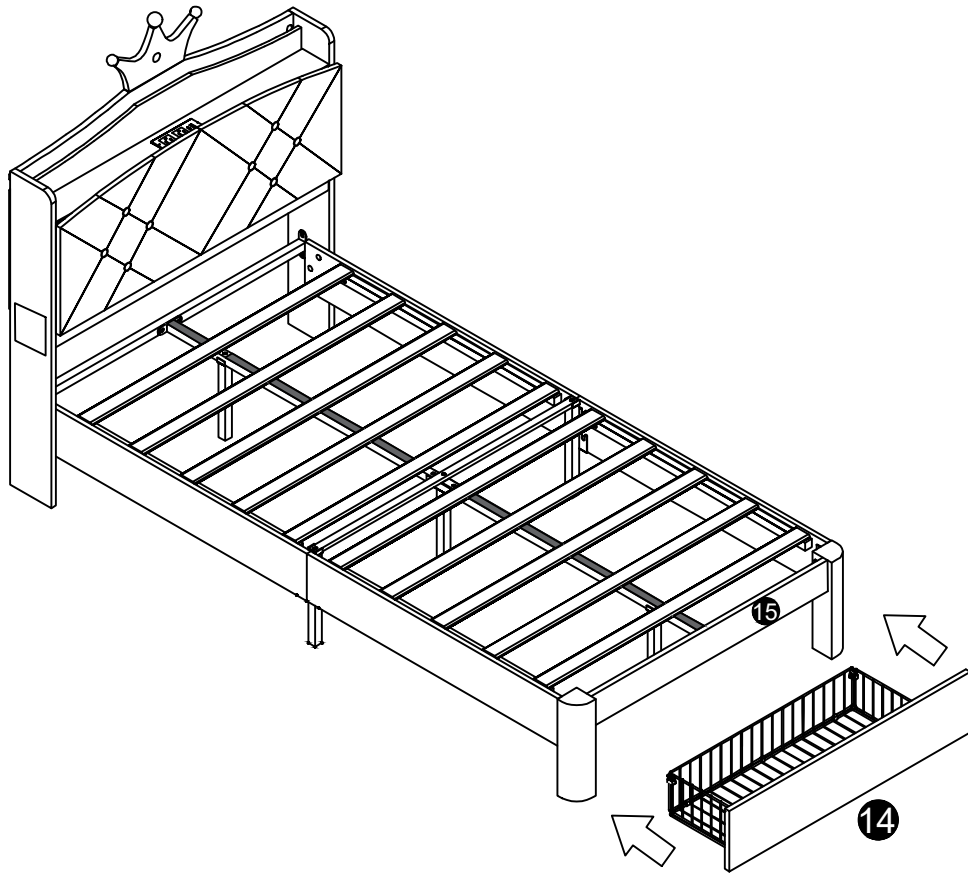


Step24

E		M6x12mm	5pcs
H		M4x65mm	1pc



Step25



Step26

