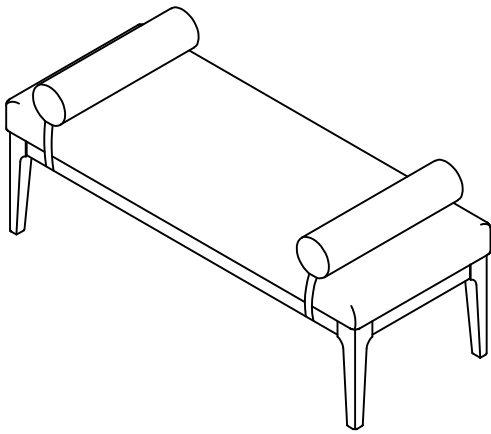


ASSEMBLY INSTRUCTIONS



+ Do Not Use Power Tools



+ Suggested Adults



NOTE:

- 1 Read instructions cover to cover.
- 2 Save all packaging until assembly is completed.

1 IMPORTANT SAFETY INFORMATION

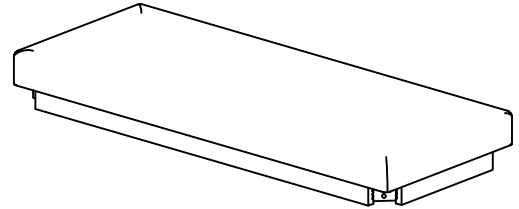
- Do not** assemble the product if the parts arrived damaged.
- Do not** assemble if Hardware parts are missing.

2 IMPORTANT ASSEMBLY INFORMATION

Assembly Step If loosening persists, please make sure to tighten all the bolts periodically, or use a thread locker adhesive.

+ Parts Included

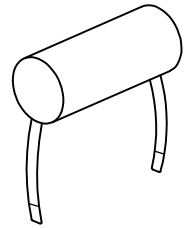
- ① Seat frame (1 pc)



- ② Legs (4 pcs)

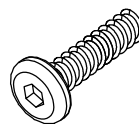


- ③ Pillows (2 pcs)



+ Parts Included

- A. Bolt
Ø8x65mm (8 pcs)



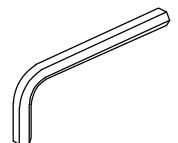
- B. Spring Washer
Ø8xØ13mm (8 pcs)



- C. Flat Washer
Ø8xØ19mm (8 pcs)

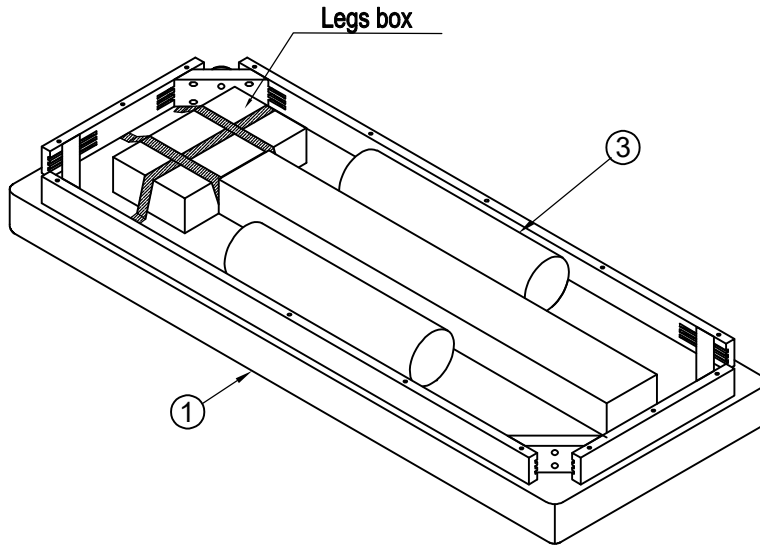


- D. Allen Key (1 pc)

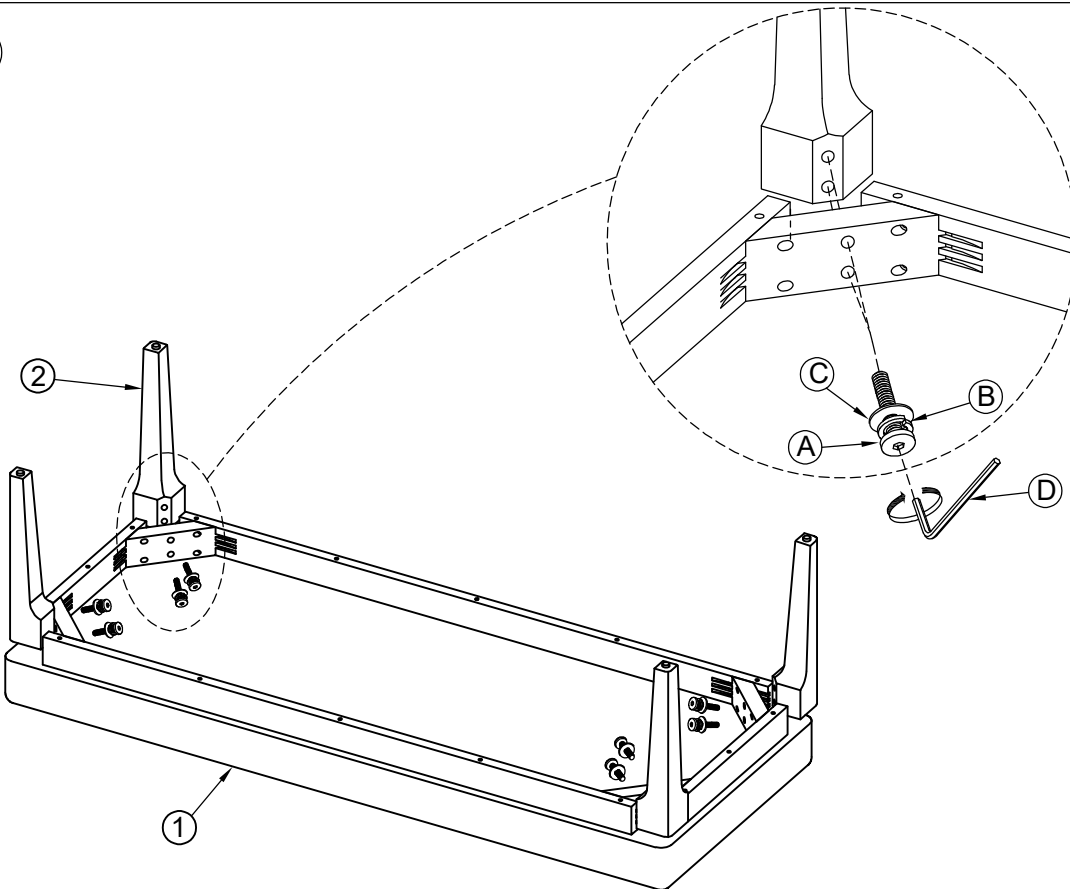


ASSEMBLY INSTRUCTIONS

①

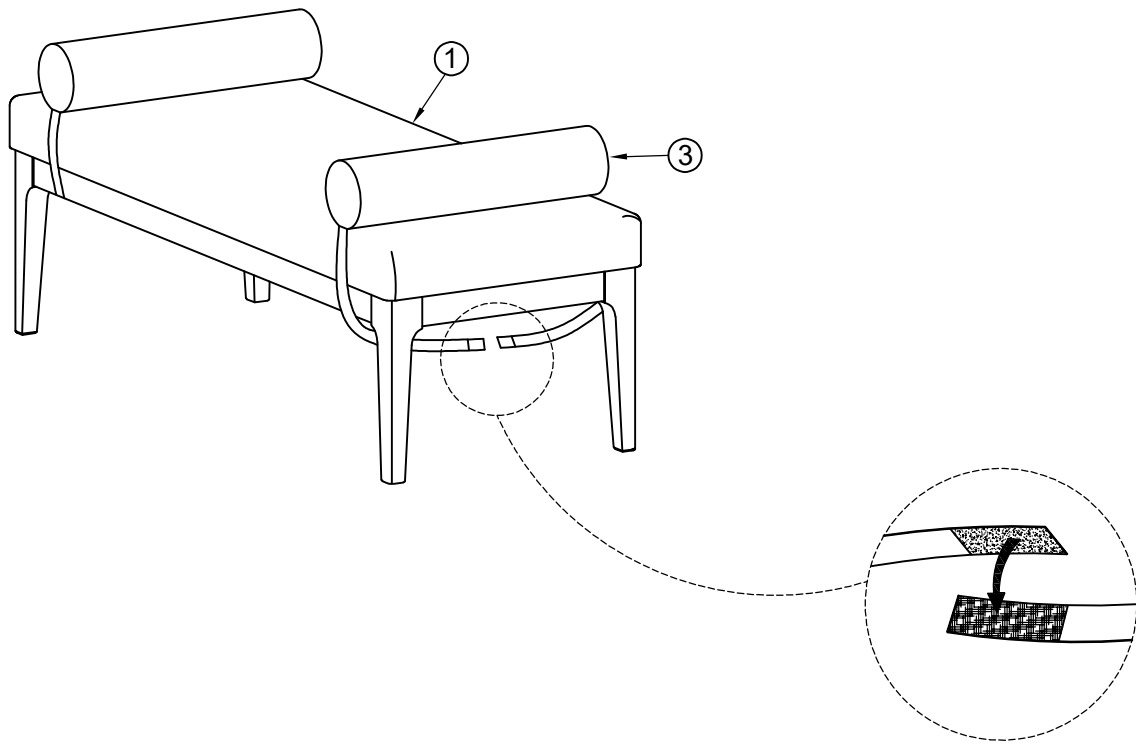


②



ASSEMBLY INSTRUCTIONS

3



4

