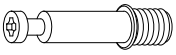
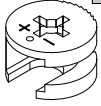
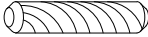

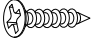
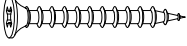
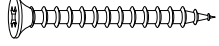
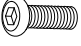
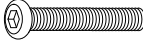
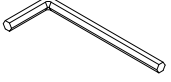


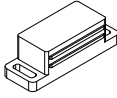


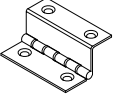



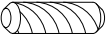
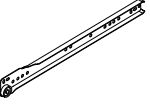
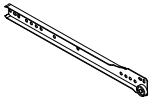
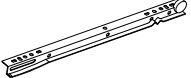
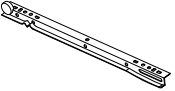
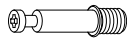


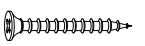


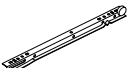
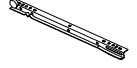
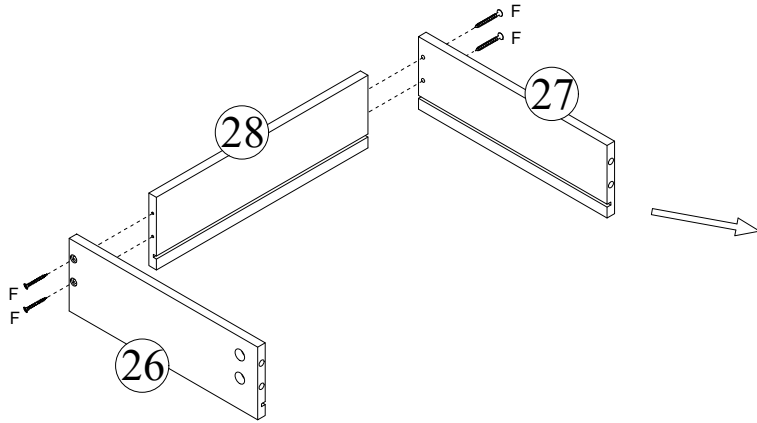


<p>A x 32 +1 (Spare)</p>  <p>Φ6x35mm</p>	<p>B x 32 +1 (Spare)</p>  <p>Φ15x9mm</p>	<p>C x 24 +1 (Spare)</p>  <p>Φ8x30mm</p>	<p>D x 60 +1 (Spare)</p>  <p>Φ3.5x14mm</p>	<p>E x 4</p>  <p>Φ3x12mm</p>
<p>F x 22 +1 (Spare)</p>  <p>Φ4x35mm</p>	<p>G x 5 +1 (Spare)</p>  <p>Φ4x40mm</p>	<p>H x 4</p>  <p>M6x15mm</p>	<p>I x 10 +1 (Spare)</p>  <p>M6x45mm</p>	<p>J x 1</p> 
<p>K x 6 +1 (Spare)</p>  <p>Φ10x10mm</p>	<p>L x 4</p> 	<p>M x 2</p> 	<p>N x 6</p>  <p>M4x18mm</p>	<p>O x 6</p> 
<p>P x 8</p> 	<p>Q x 8 +1 (Spare)</p> 	<p>R x 22 +1 (Spare)</p>  <p>Φ5x14mm</p>	<p>S x 8 +1 (Spare)</p> 	<p>T x 4</p>  <p>Φ8x20mm</p>
<p>U x 2</p> 	<p>V x 2</p> 	<p>W x 2</p> 	<p>X x 2</p> 	

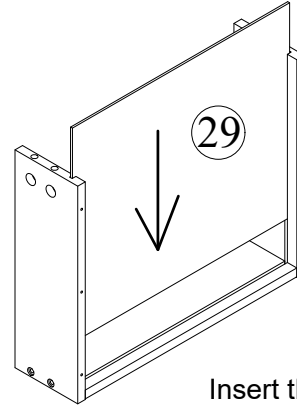
1

x 2

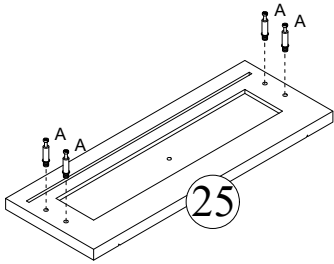
<p>A</p>  <p>x 8</p>	<p>B</p>  <p>x 8</p>	<p>D</p>  <p>x 12</p>	<p>F</p>  <p>x 8</p>
<p>N</p>  <p>x 2</p>	<p>O</p>  <p>x 2</p>	<p>W</p>  <p>x 2</p>	<p>X</p>  <p>x 2</p>



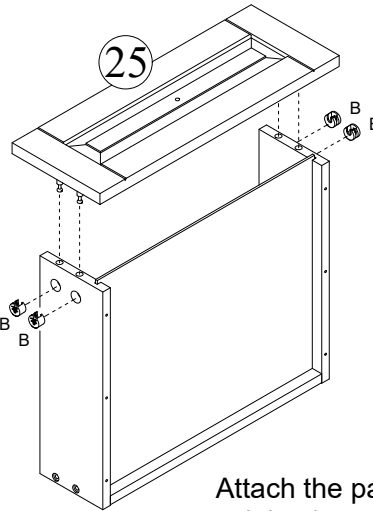
Attach the parts 26 and 27 to the part 28 by 4pcs screws F.



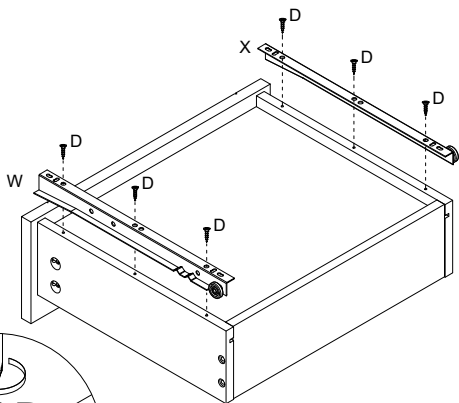
Insert the part 29 into the grooves.



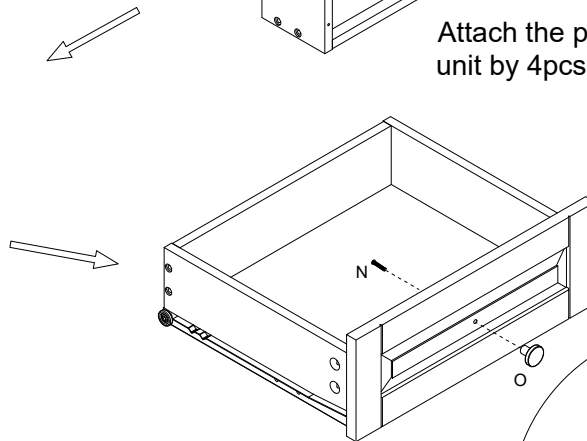
Screw 4pcs cam lock bolts A to the part 25.



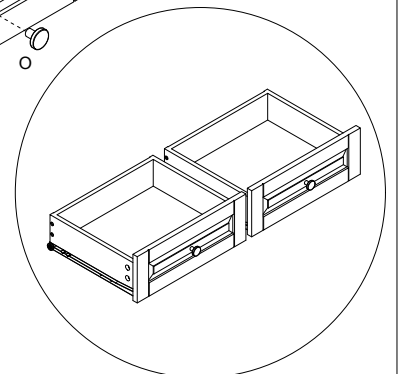
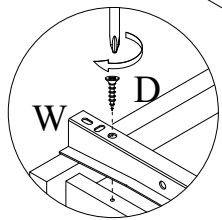
Attach the part 25 to the assembled unit by 4pcs cam locks B.



Attach the hardware W and X to the assembled unit by 6pcs screws D.

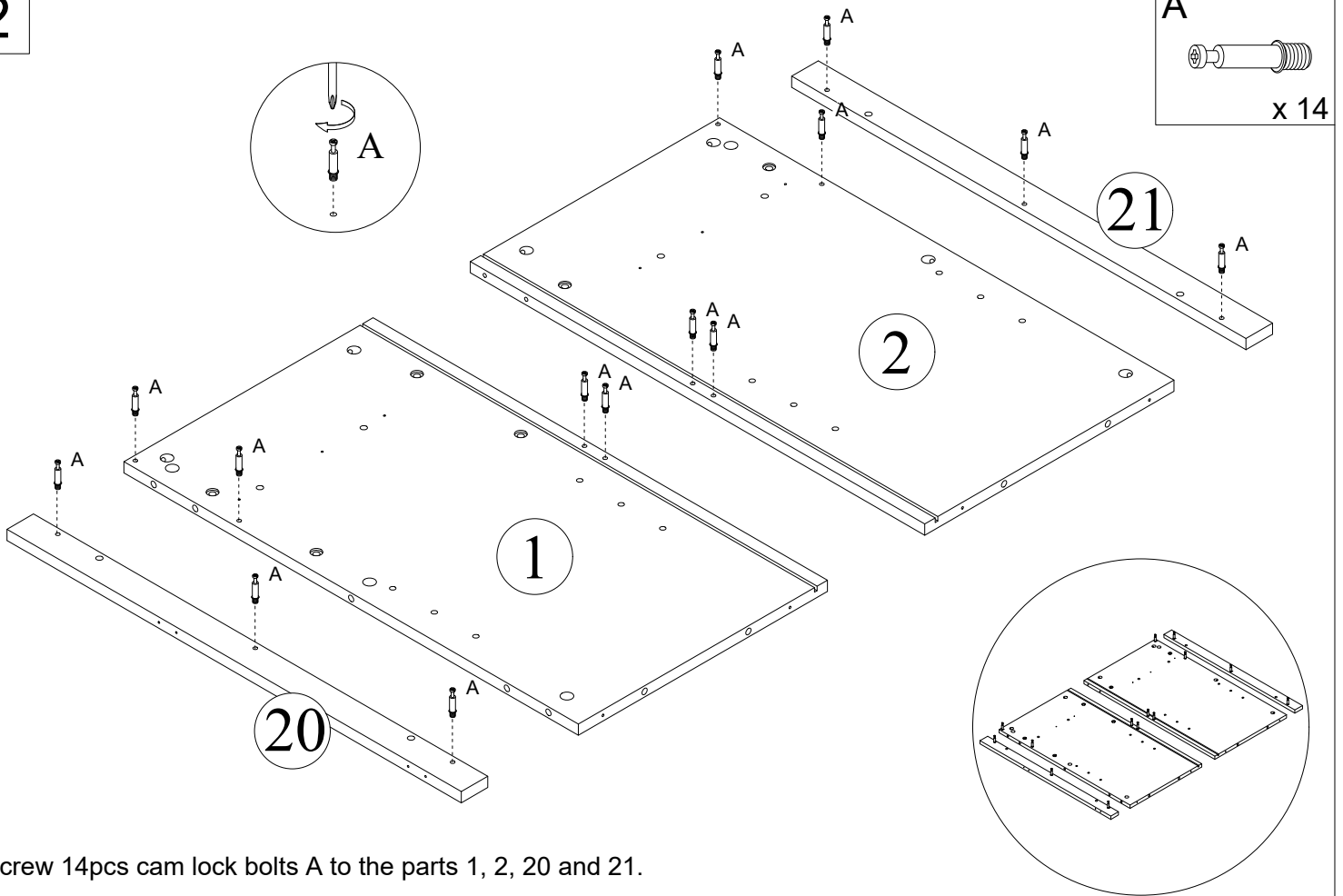


Attach the knob O to the assembled by the bolt N.



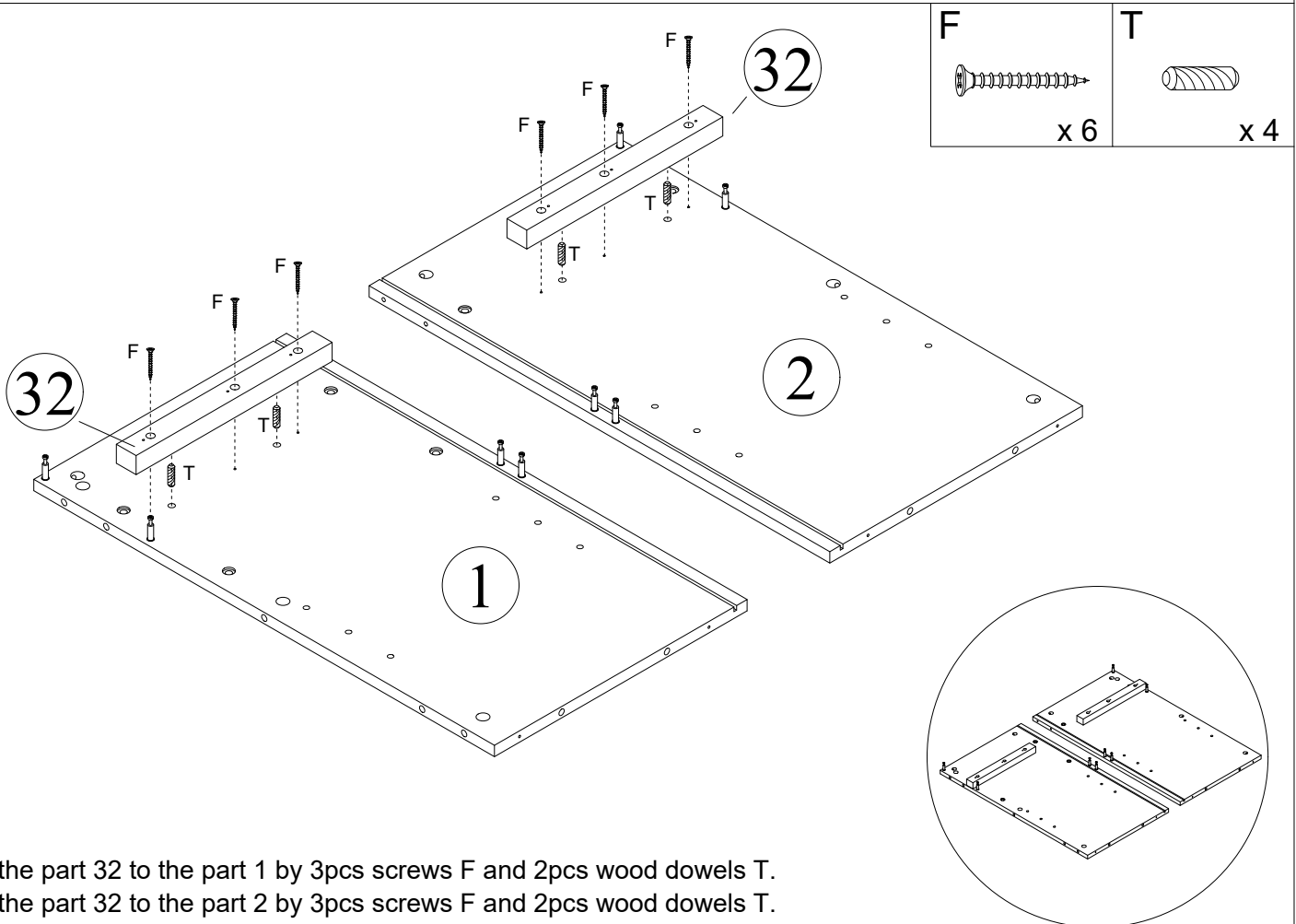
Repeat these steps to assemble another drawer.

2



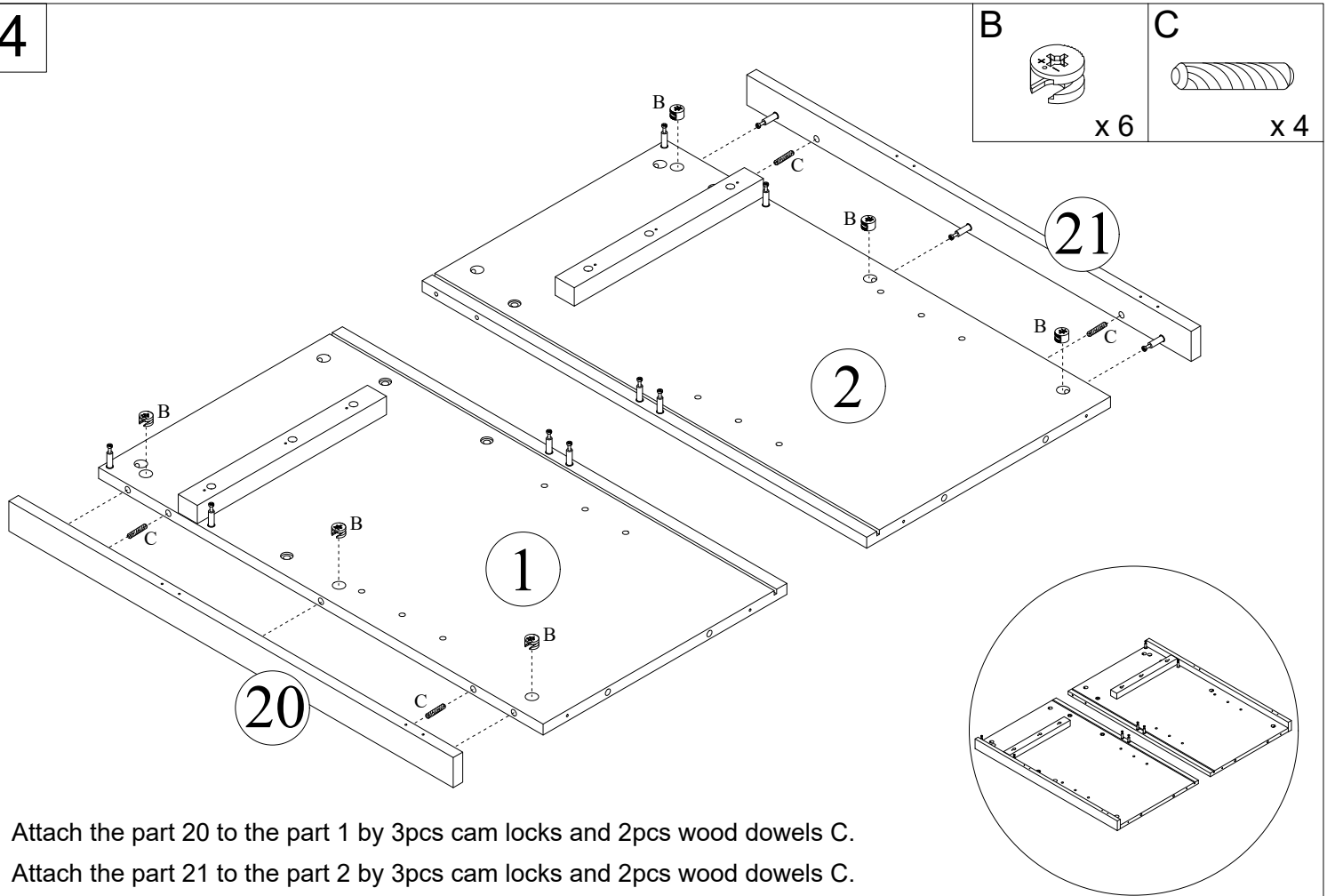
Screw 14pcs cam lock bolts A to the parts 1, 2, 20 and 21.

3



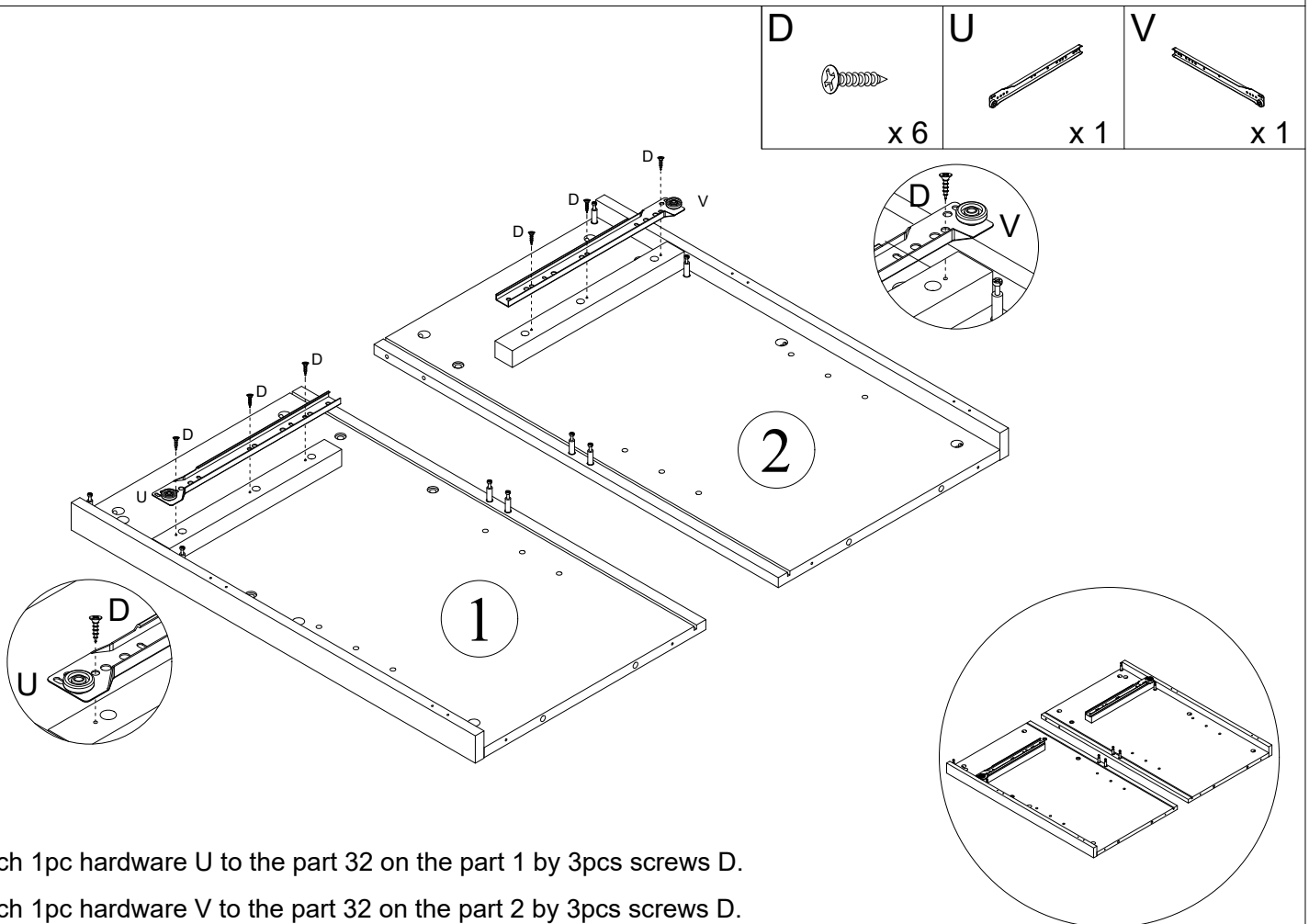
Attach the part 32 to the part 1 by 3pcs screws F and 2pcs wood dowels T.
 Attach the part 32 to the part 2 by 3pcs screws F and 2pcs wood dowels T.

4



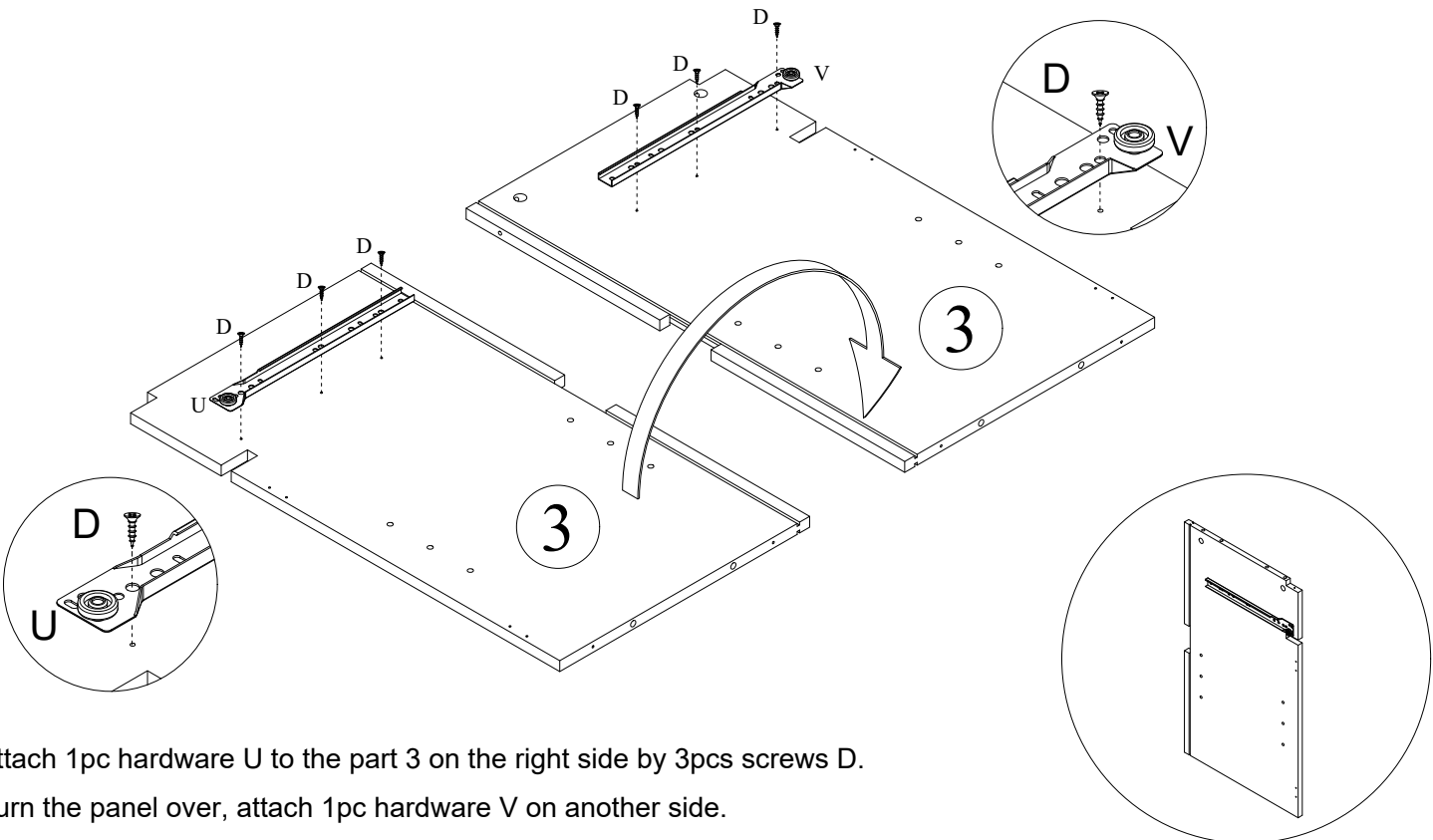
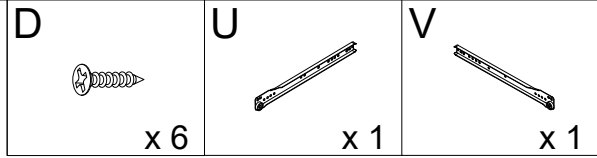
Attach the part 20 to the part 1 by 3pcs cam locks and 2pcs wood dowels C.
 Attach the part 21 to the part 2 by 3pcs cam locks and 2pcs wood dowels C.

5



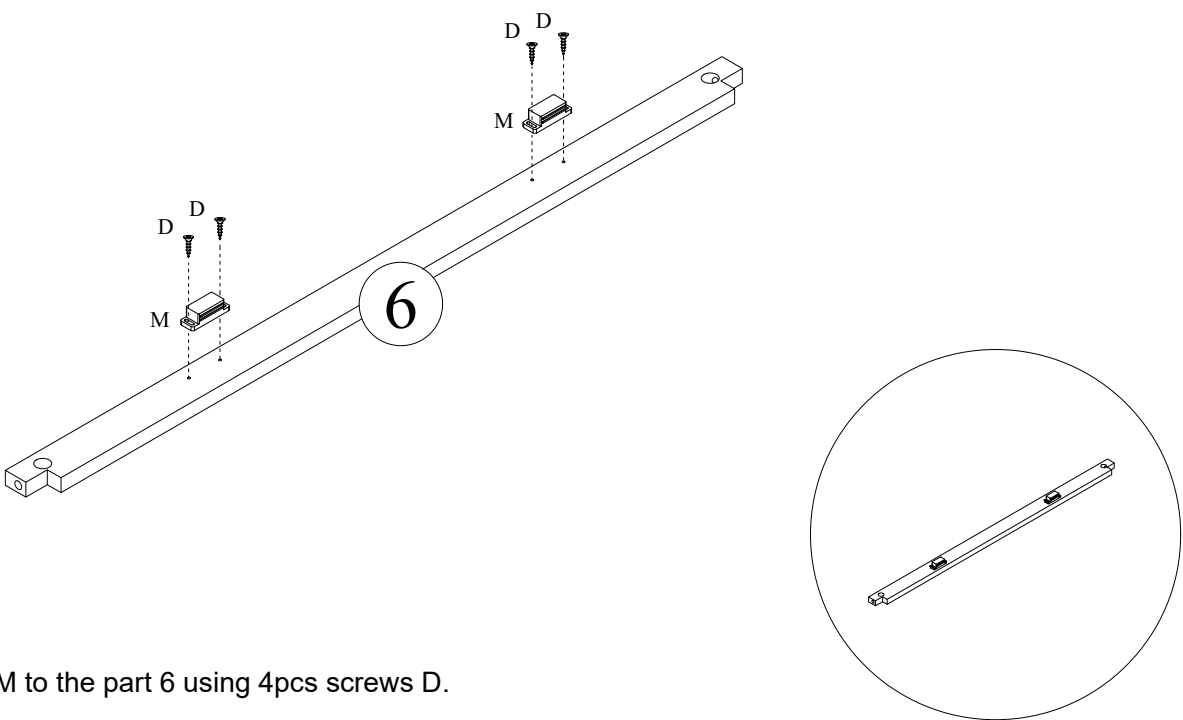
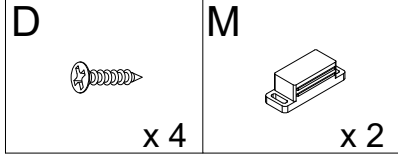
Attach 1pc hardware U to the part 32 on the part 1 by 3pcs screws D.
 Attach 1pc hardware V to the part 32 on the part 2 by 3pcs screws D.

6



Attach 1pc hardware U to the part 3 on the right side by 3pcs screws D.
Turn the panel over, attach 1pc hardware V on another side.

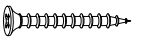
7



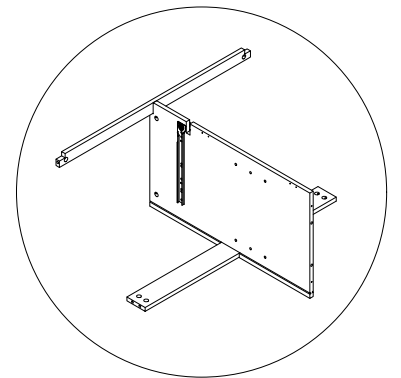
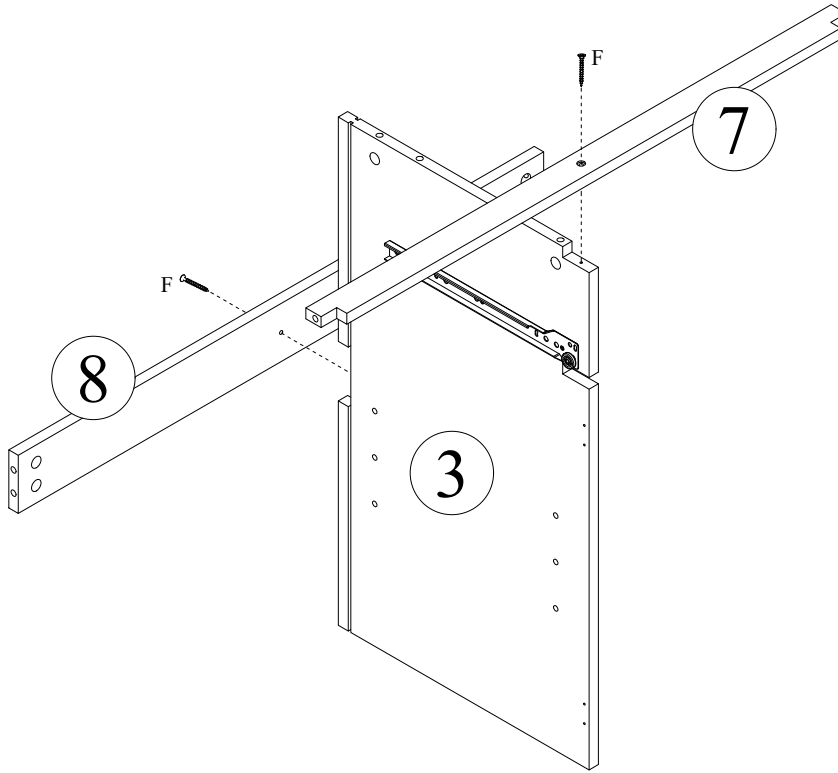
Attach 2pcs magnets M to the part 6 using 4pcs screws D.

8

F



x 2



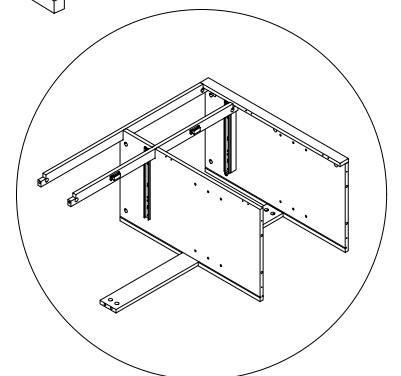
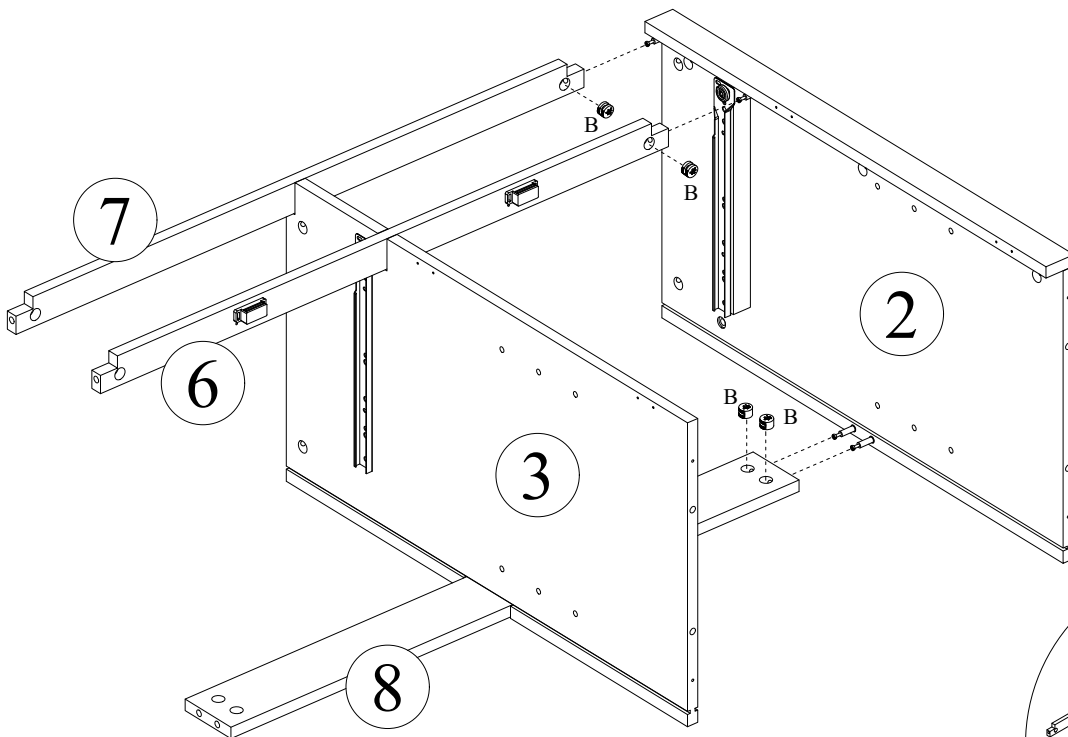
Attach the part 7 and 8 to the part 3 using 2pcs screws F.

9

B

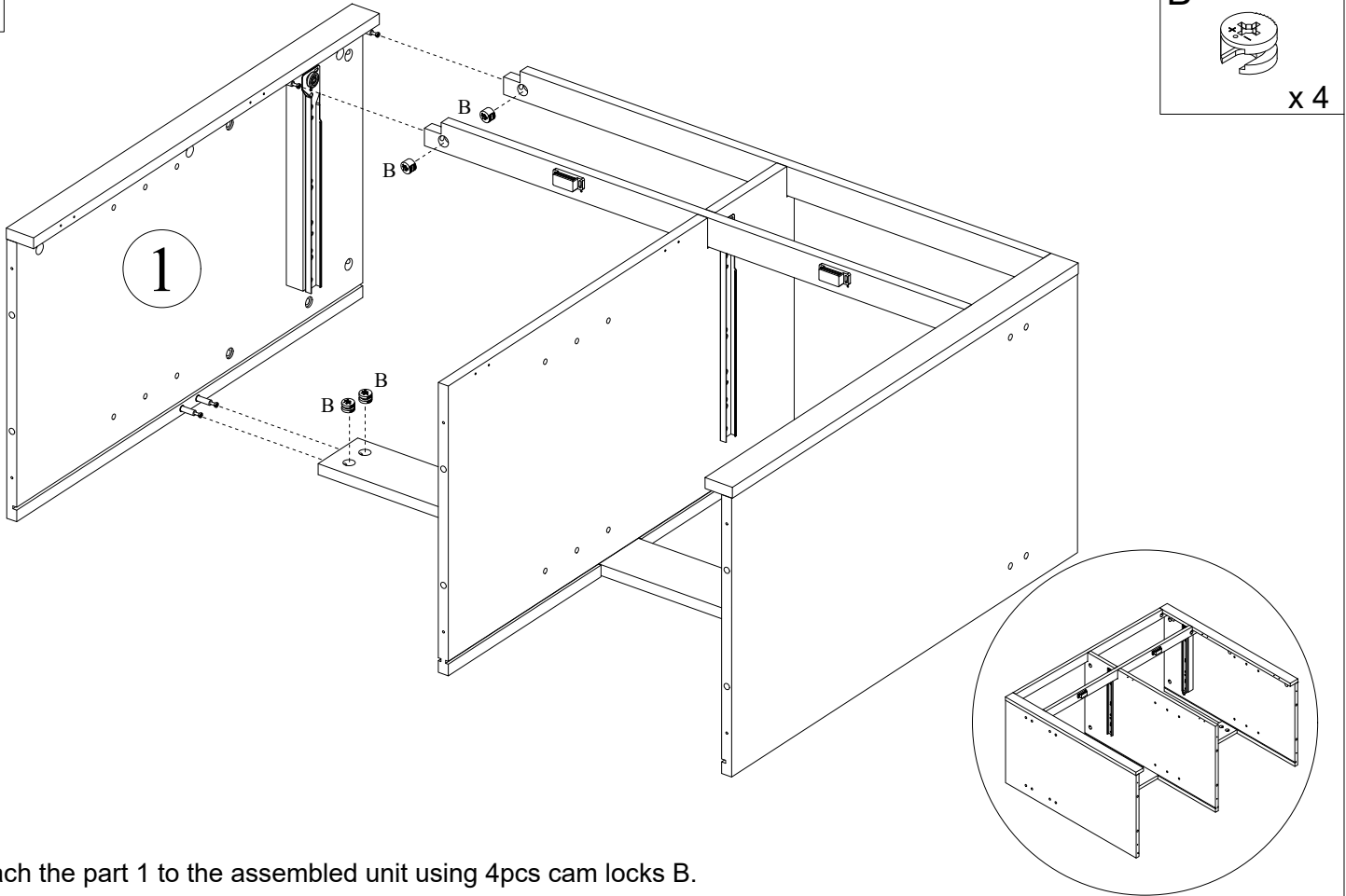


x 4



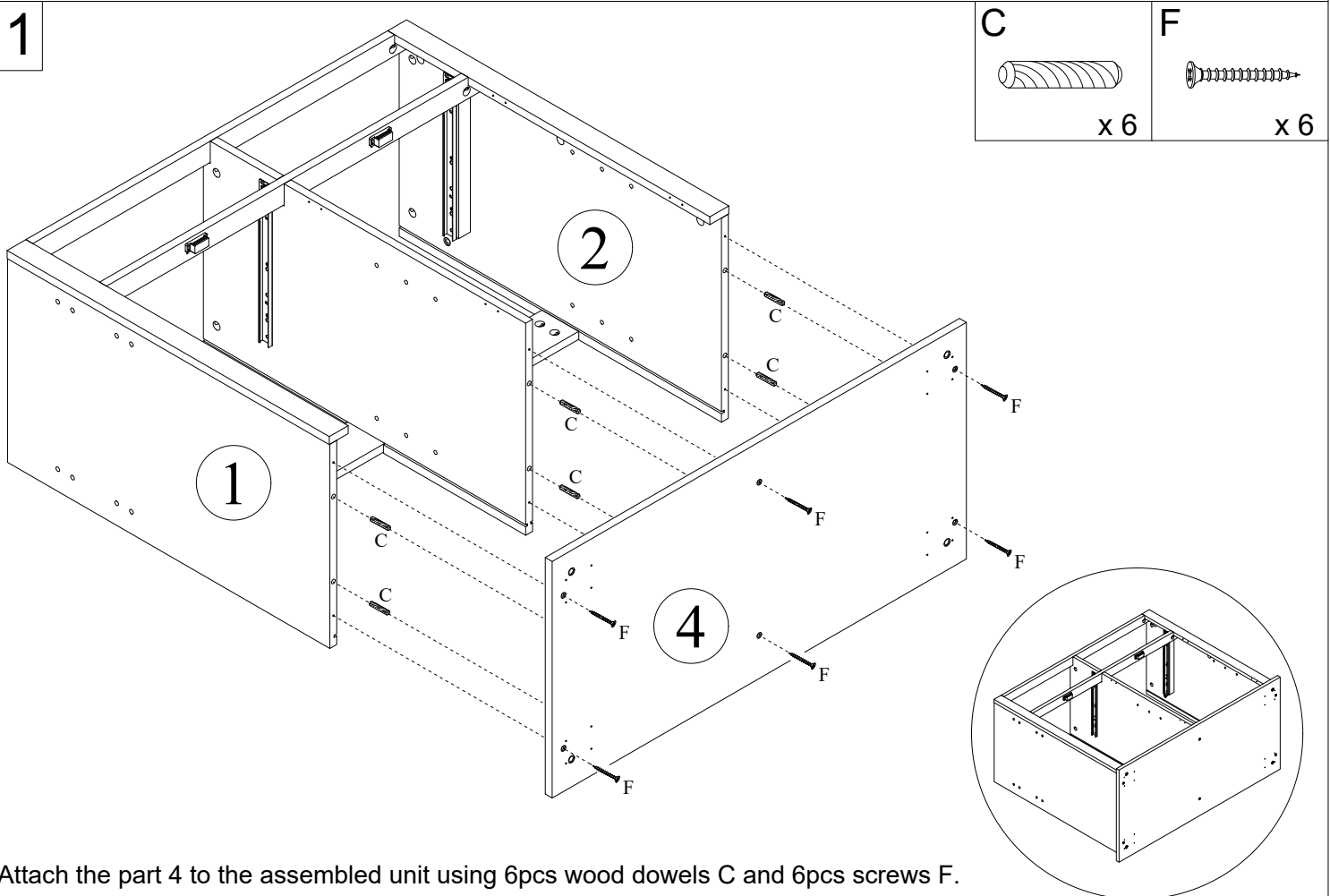
Attach the part 2 to the assembled unit using 3pcs cam locks B.
Attach the part 6 to the part 2 using 1pc cam lock B.

10



Attach the part 1 to the assembled unit using 4pcs cam locks B.

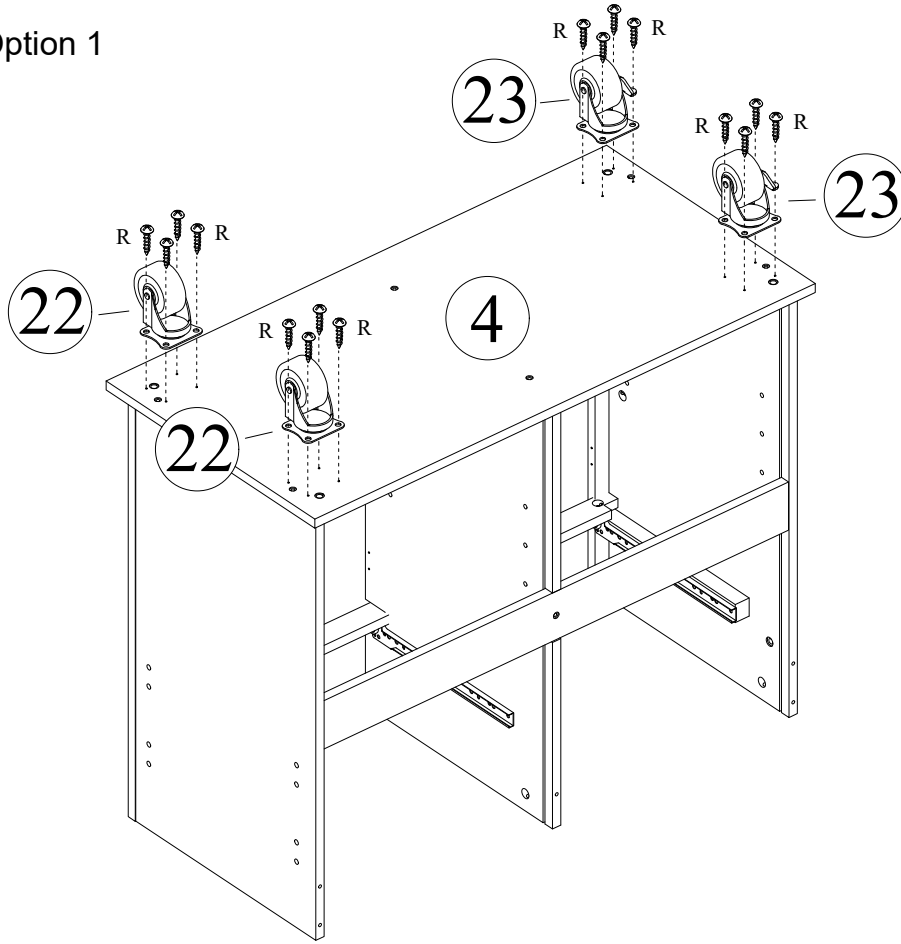
11



Attach the part 4 to the assembled unit using 6pcs wood dowels C and 6pcs screws F.

12

Option 1

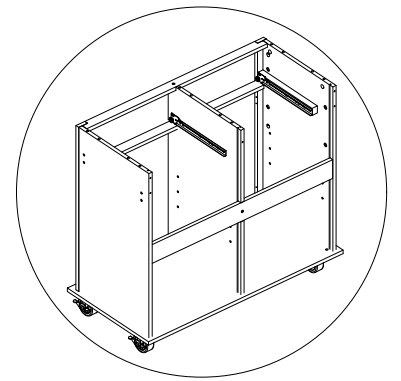


R



x 16

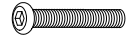
Attach the parts 22 and 23 to the assembled unit using 16pcs screws R.



Option 2

If you like the wood legs, you can use the wood legs to replace the casters. You can attached the legs 33 to the bottom panel 4 by Allen wrench J.

I

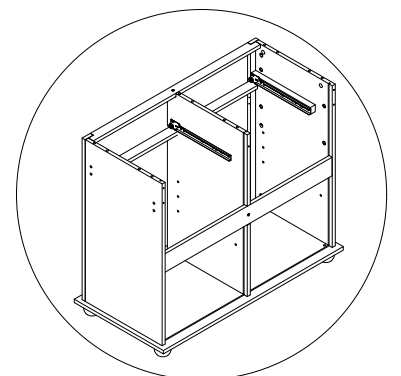
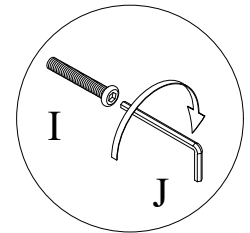
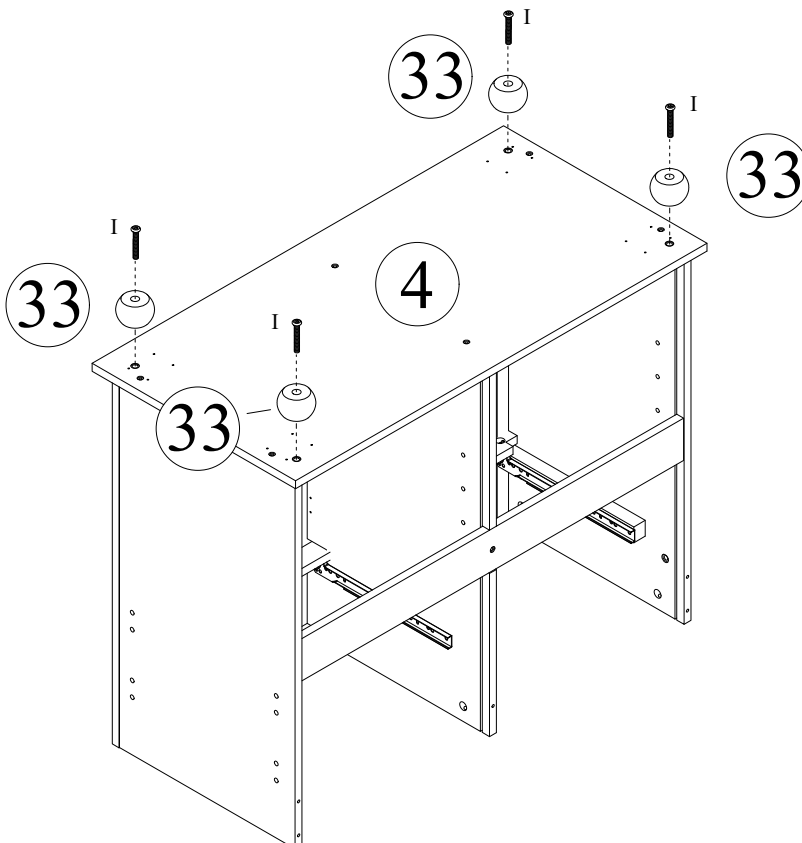


x 4

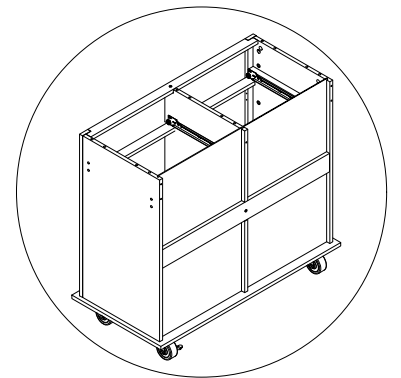
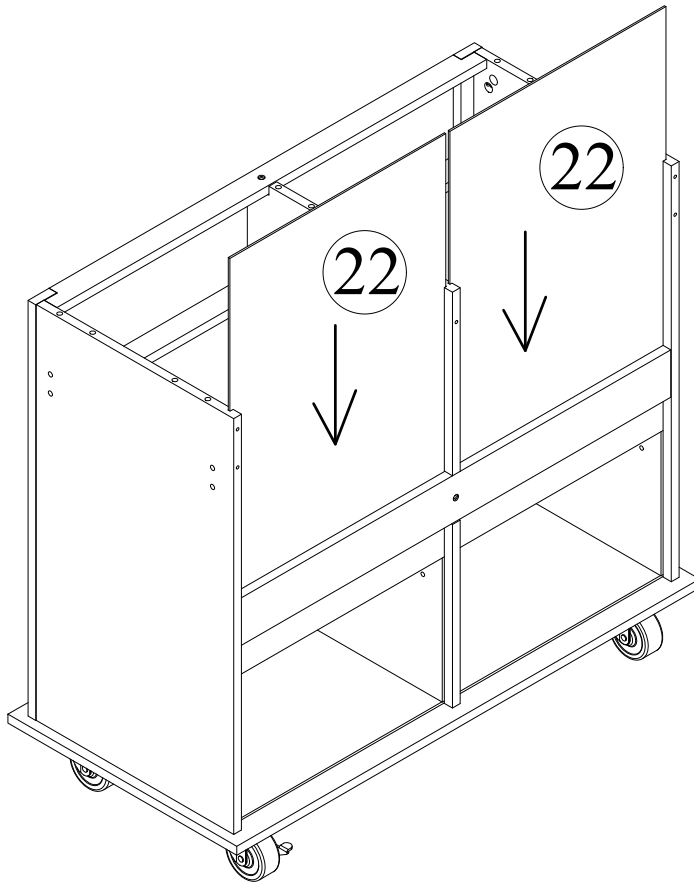
J



x 1

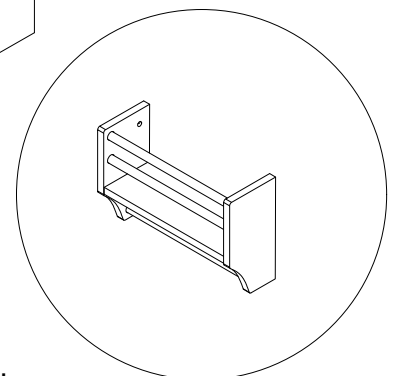
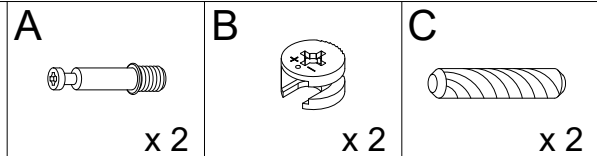
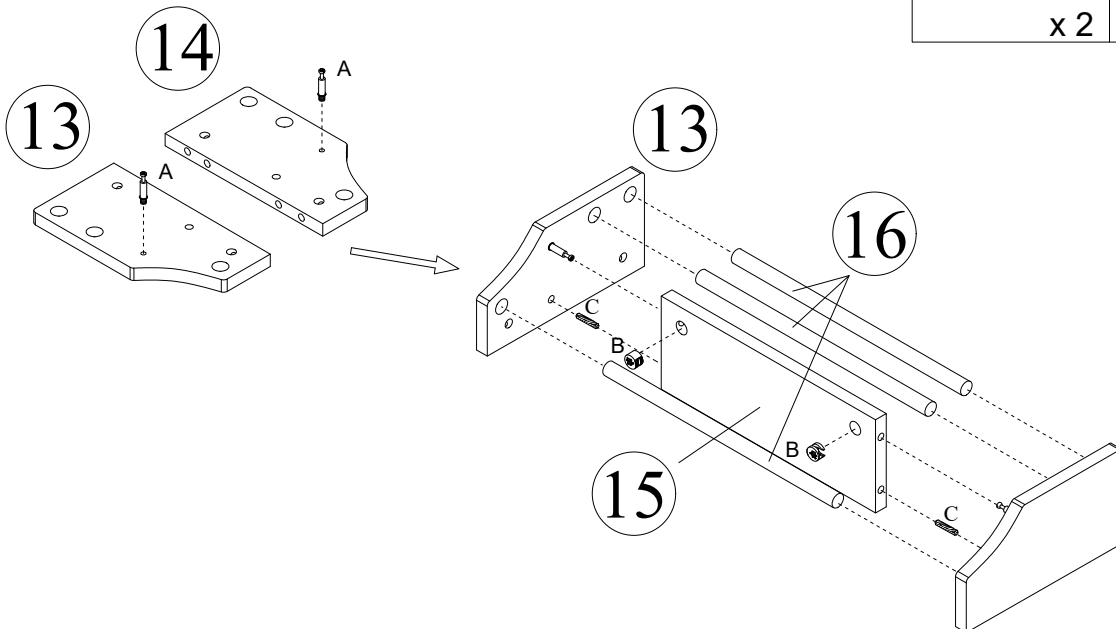


13



Insert 2pcs back panels 22.

14



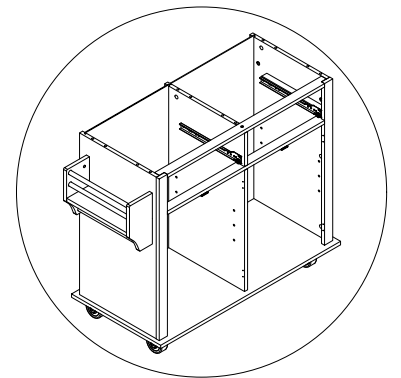
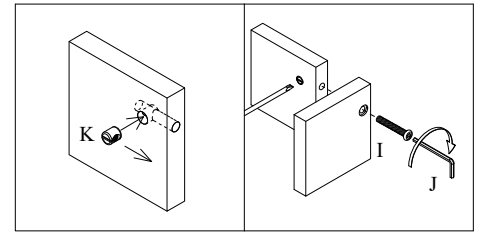
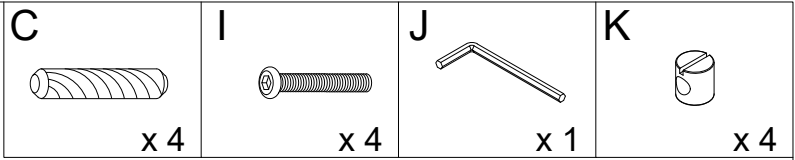
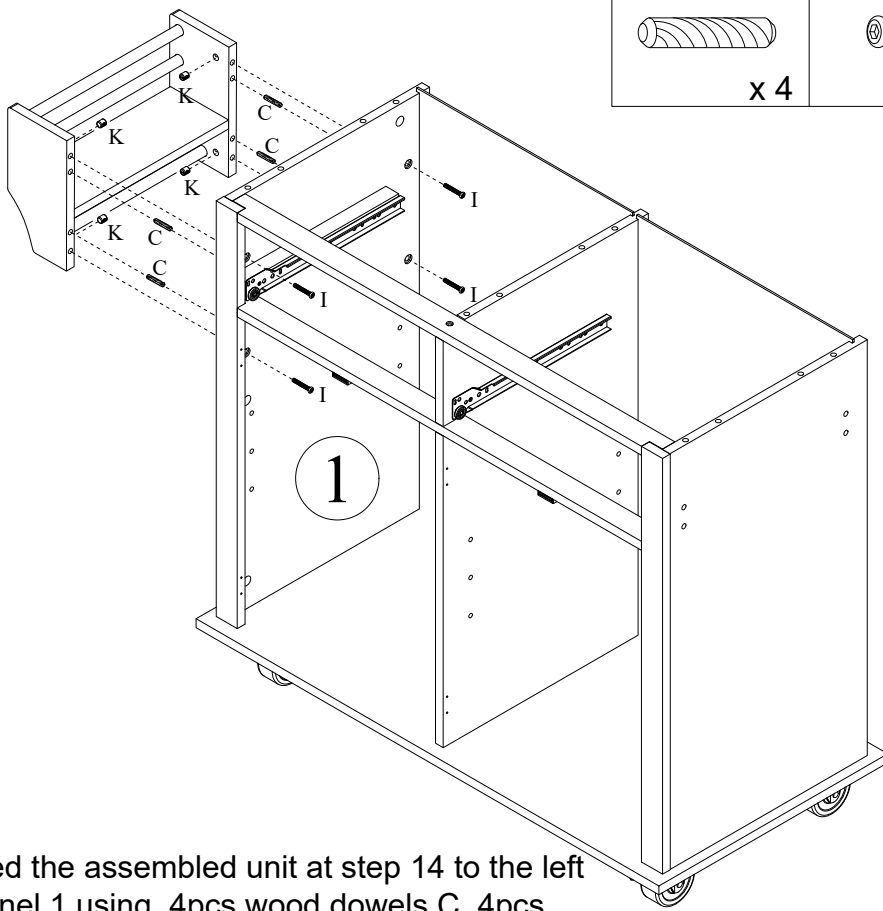
Screw 2pcs cam lock bolts A to the part 13 and 14.

Attach part 13 to the part 15 using 1pc cam lock B and 1pc wood dowel C.

Insert 3pcs parts 15 into the holes on the part 13.

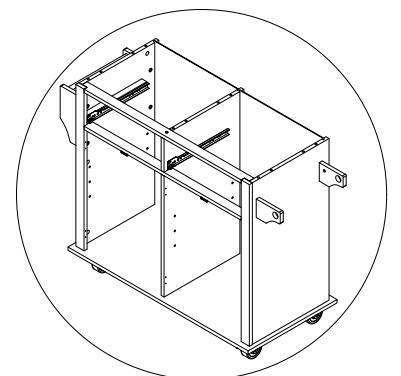
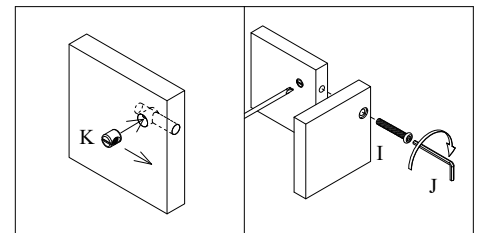
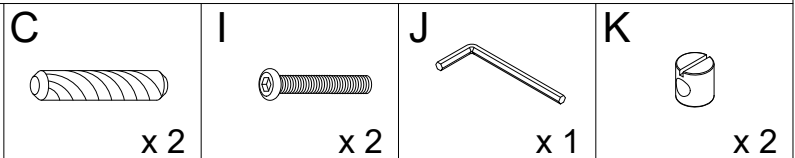
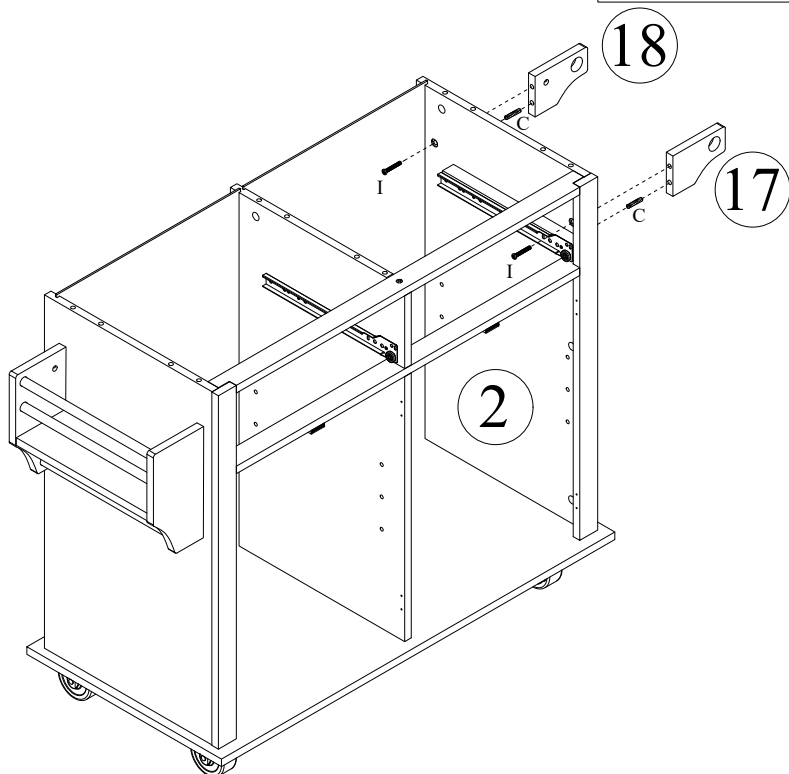
Attach part 14 to the part 15 and parts 16 using 1pc cam lock B and 1pc wood dowel C.

15



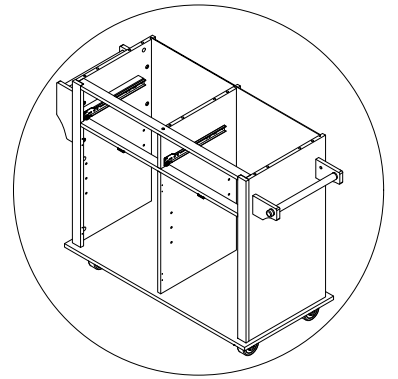
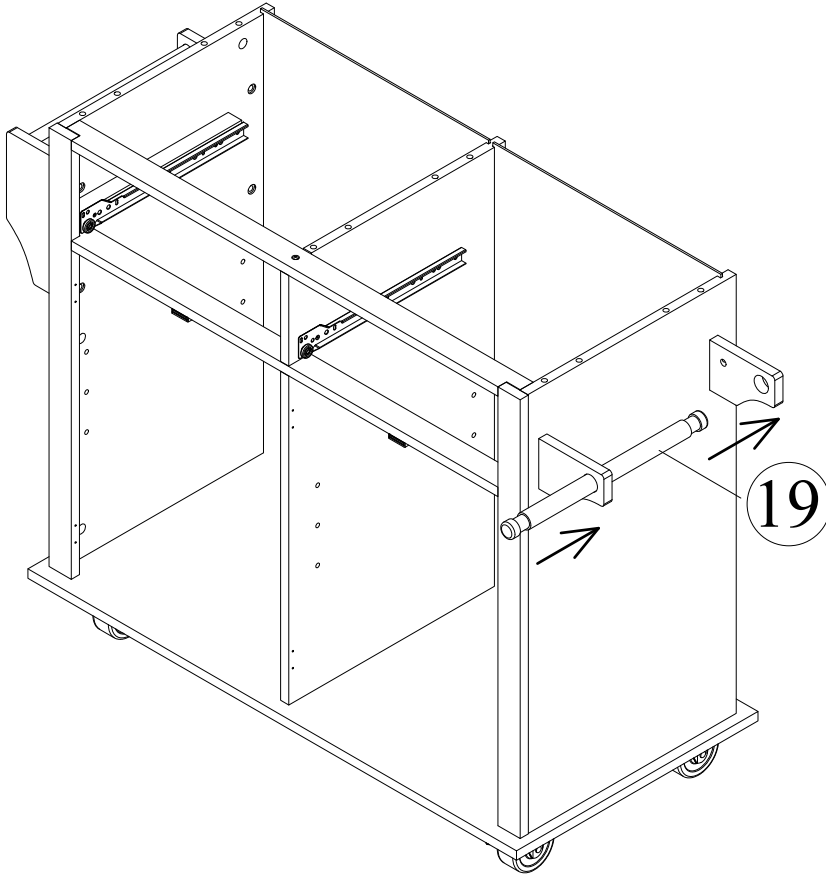
Attached the assembled unit at step 14 to the left side panel 1 using 4pcs wood dowels C, 4pcs bolts I and 4pcs T nuts K by Allen wrench J.

16



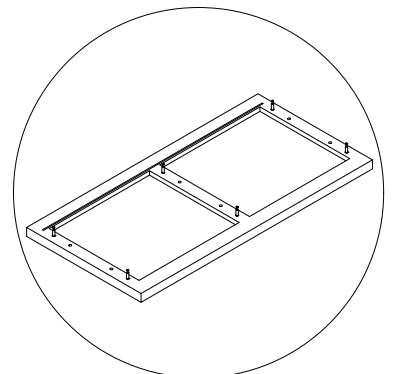
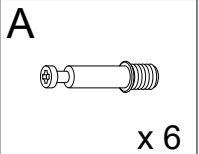
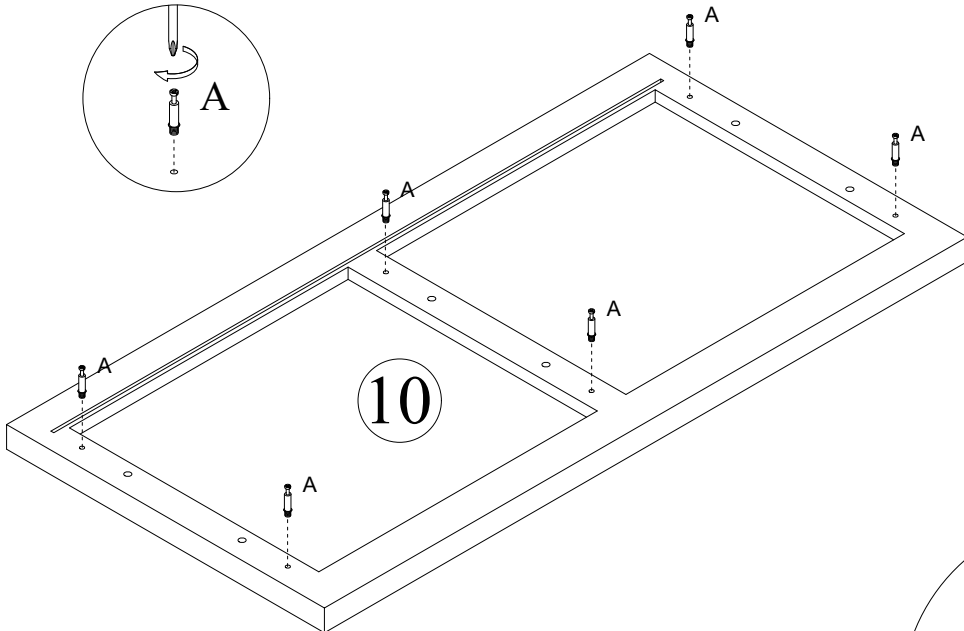
Attached the part 17 and 18 to the right side panel 2 using 2pcs wood dowels C, 2pcs bolts I and 2pcs T nuts K by Allen wrench J.

17



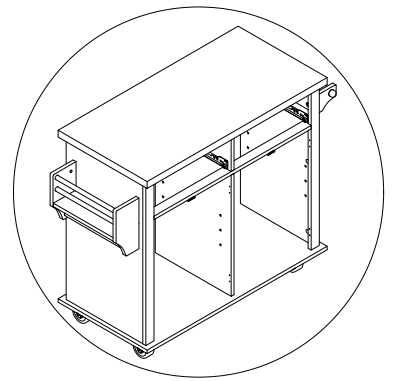
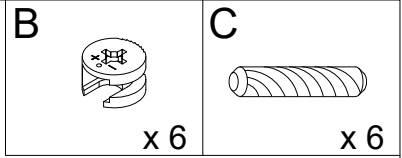
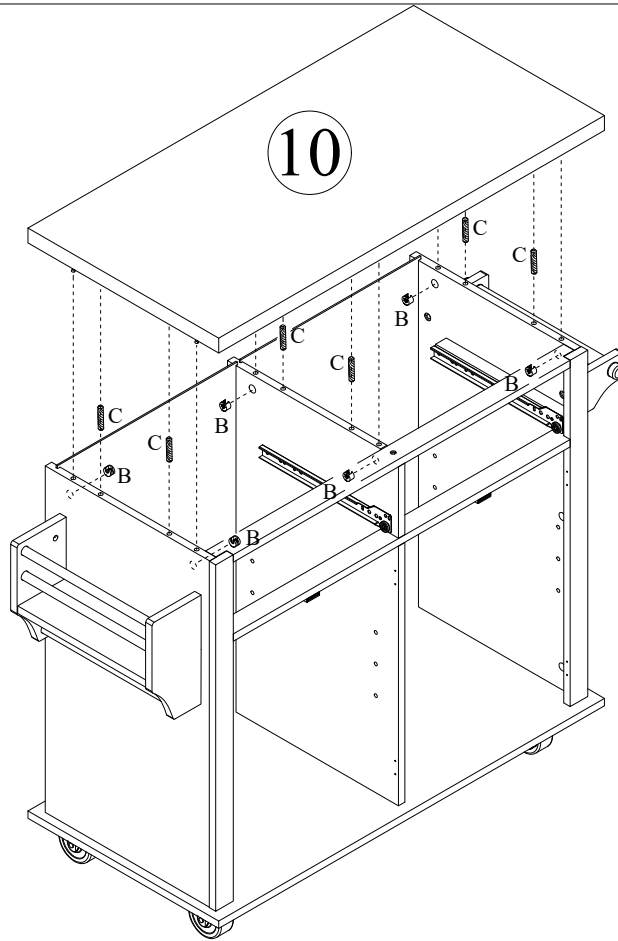
Insert the towel bar into the holes on the parts 17 and 18.

18



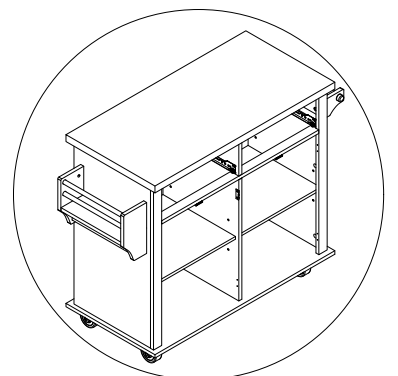
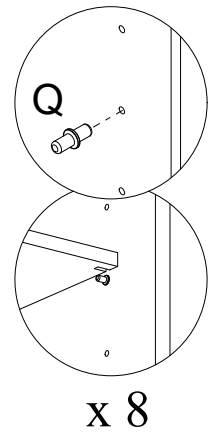
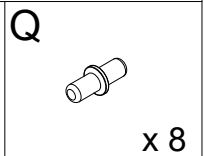
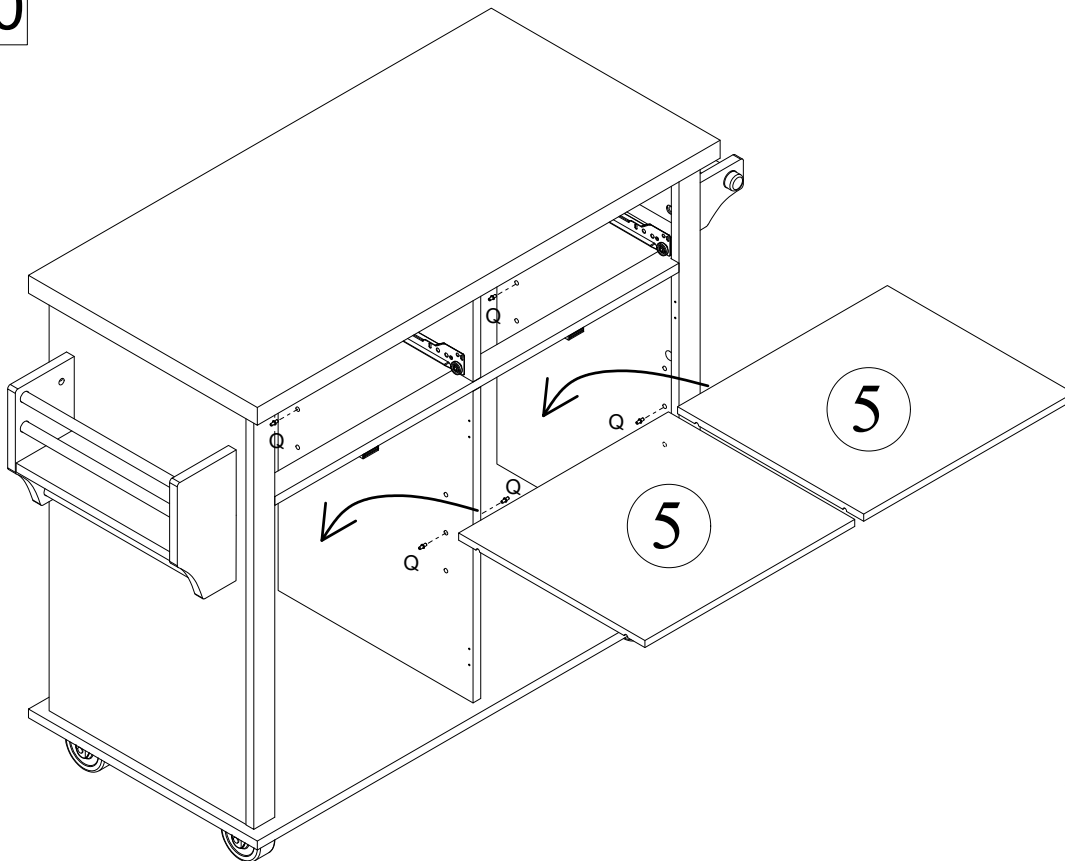
Screw 6pcs cam lock bolts A to top panel 10.

19








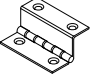
Attach the top panel 10 to the assembled unit at step 17 using 6pcs cam locks B and 6 wood dowels C.

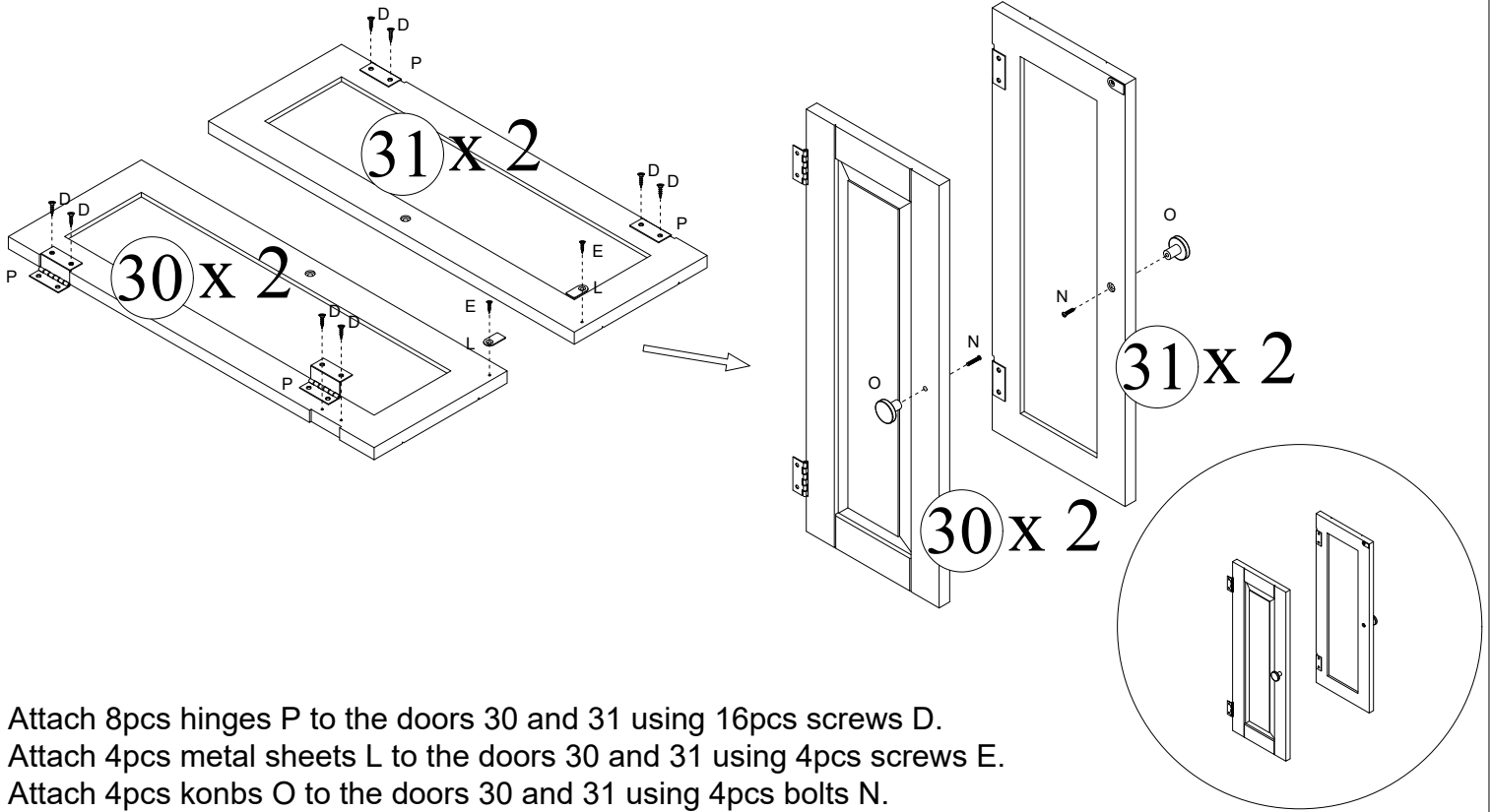
20



Insert 8pcs shelf holders into the holes on the part 1, 2 and 3. Put the adjustable shelves 5 on the holders. There are 3 optional adjustment.

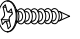
21

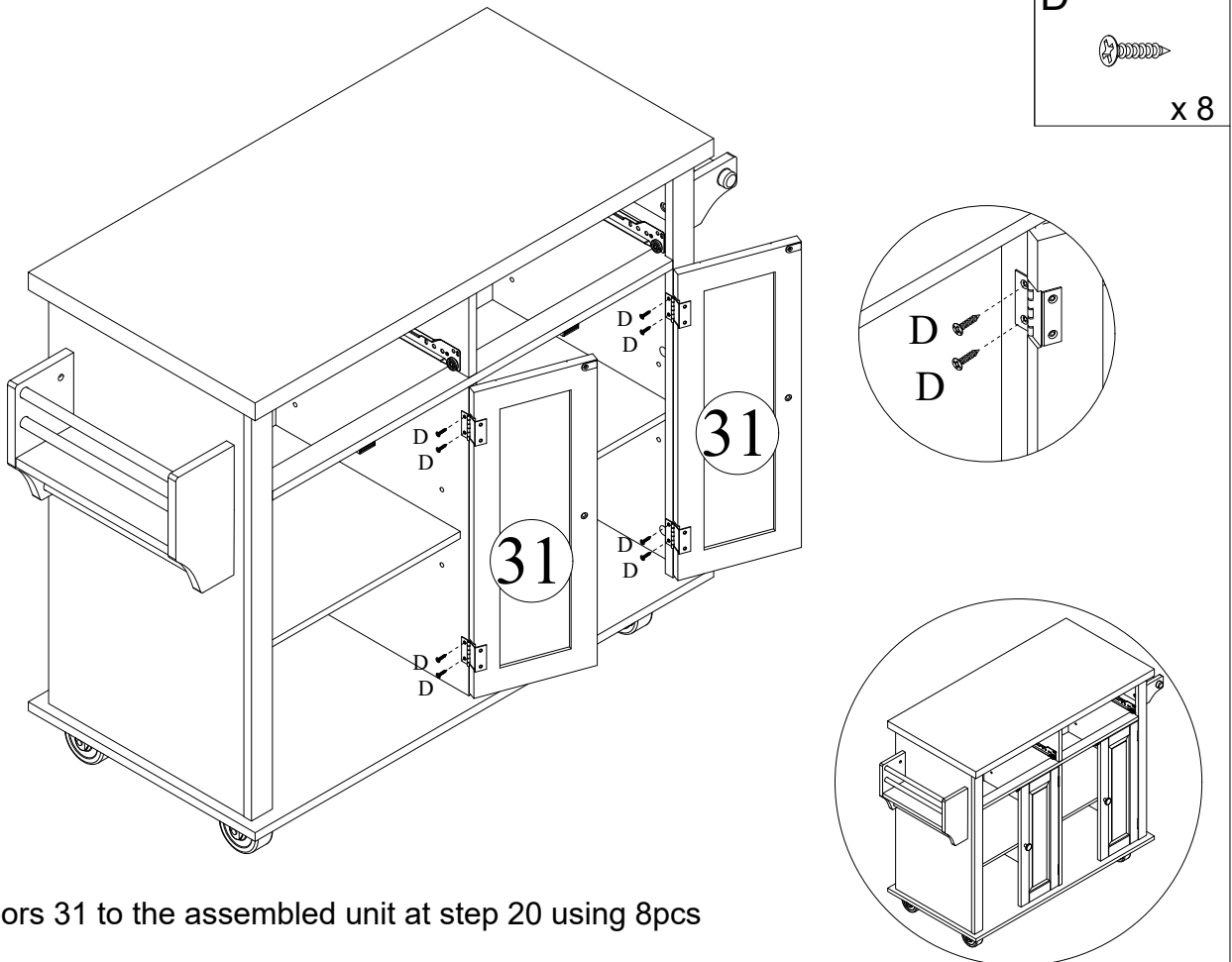
D  x 16	E  x 4	N  x 4	O  x 4	L  x 4	P  x 8
--	---	---	---	---	---



Attach 8pcs hinges P to the doors 30 and 31 using 16pcs screws D.
 Attach 4pcs metal sheets L to the doors 30 and 31 using 4pcs screws E.
 Attach 4pcs knobs O to the doors 30 and 31 using 4pcs bolts N.

22

D  x 8



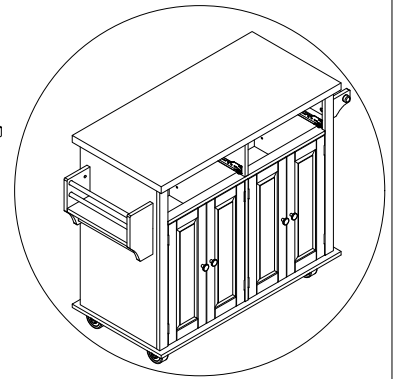
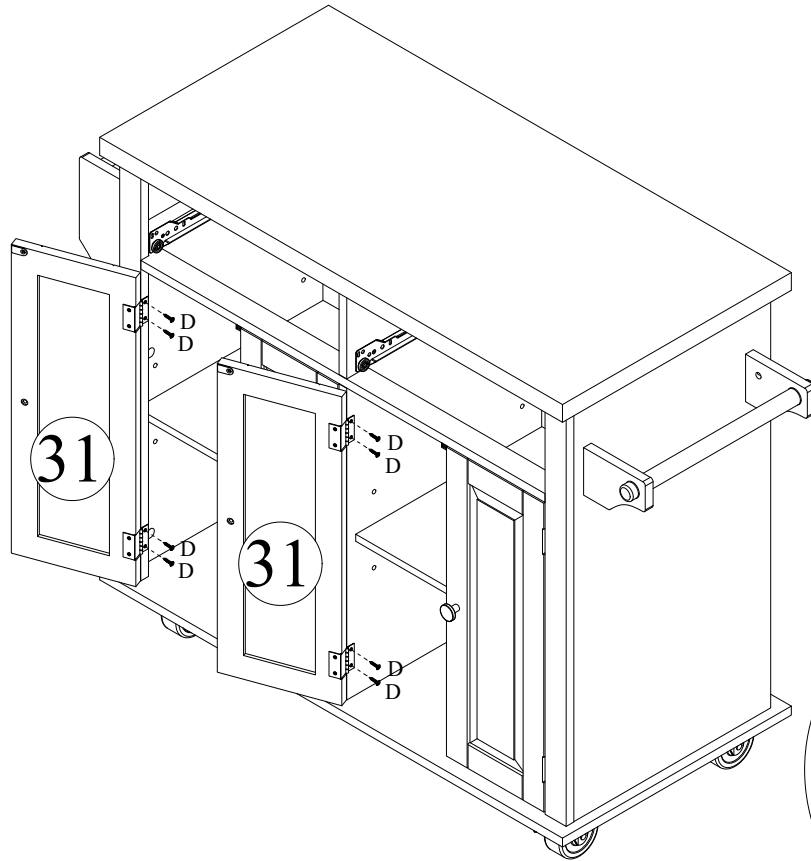
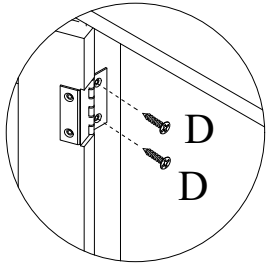
Attach the right doors 31 to the assembled unit at step 20 using 8pcs screws D.

23

D

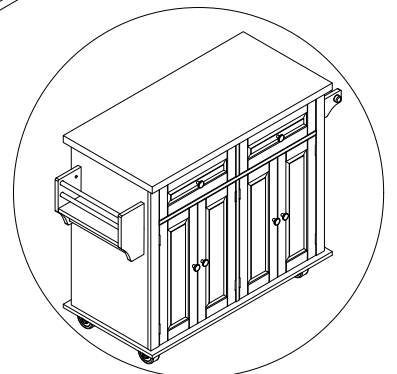
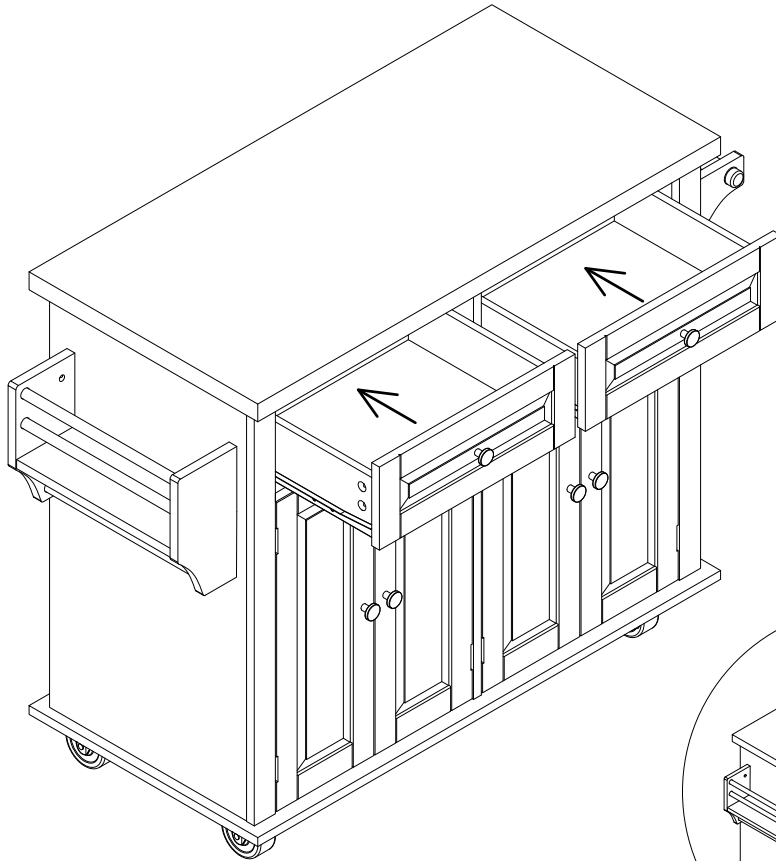
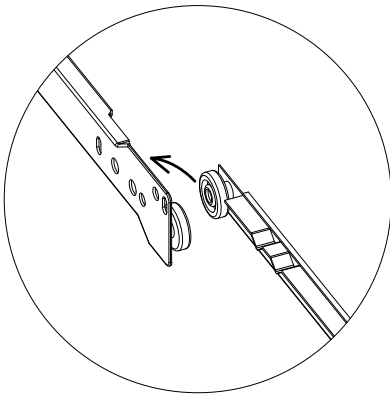


x 8



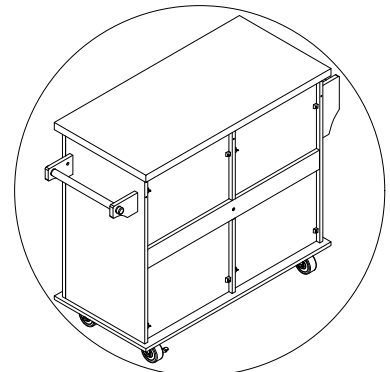
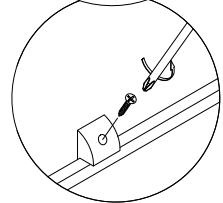
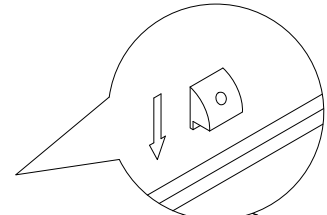
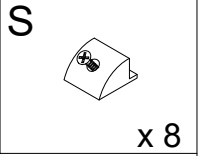
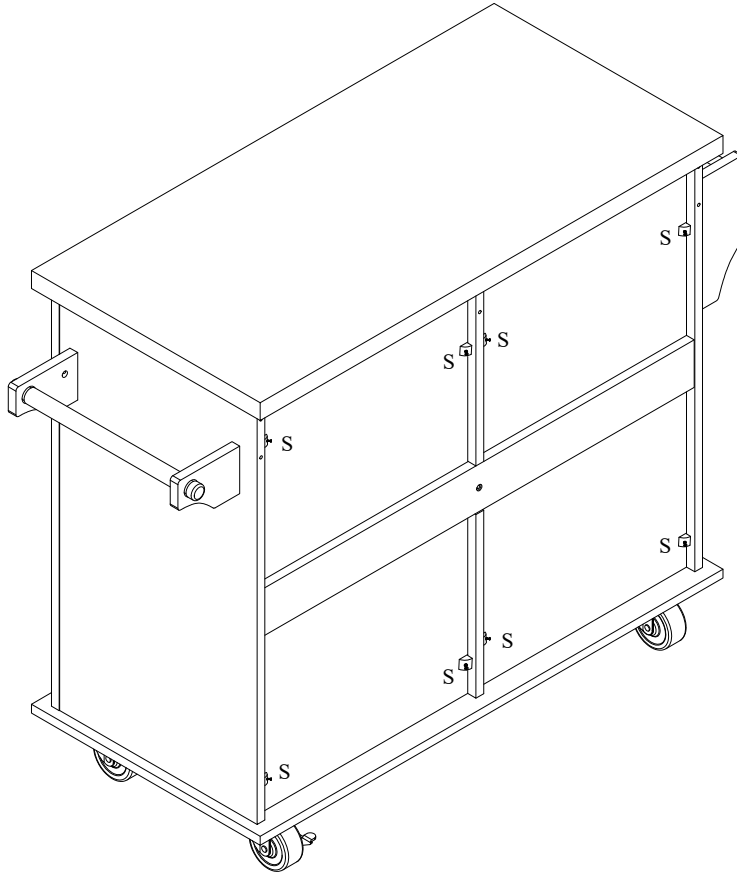
Attach the left doors 30 to the assembled unit using 8pcs screws D.

24



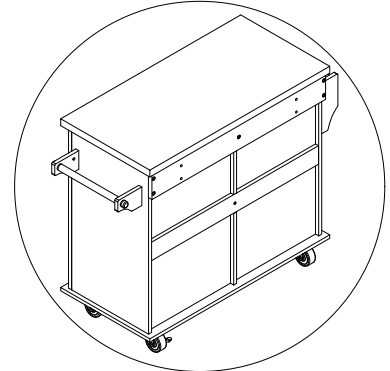
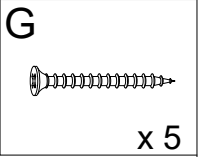
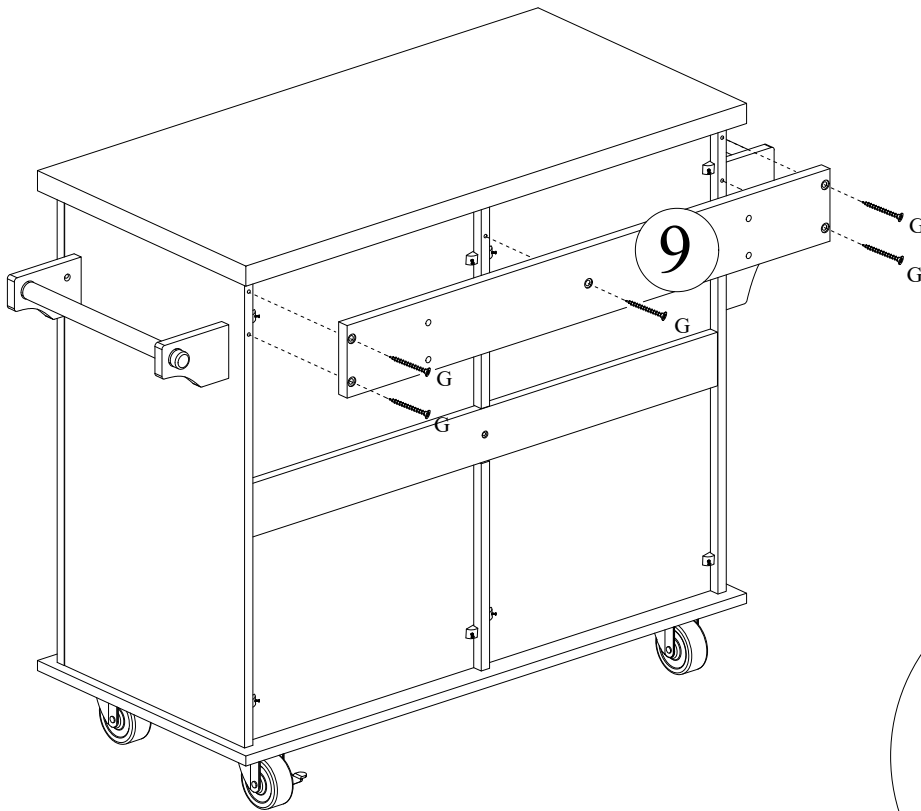
Put the drawers in their position.

25



Insert the plastics wedge into the gaps and use the screw to fix them.

26



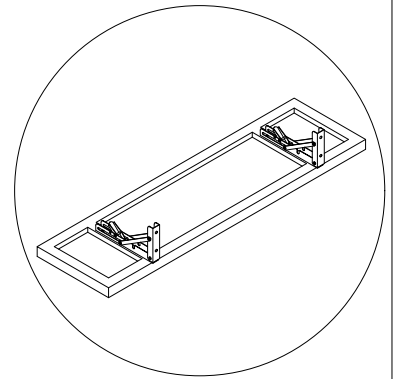
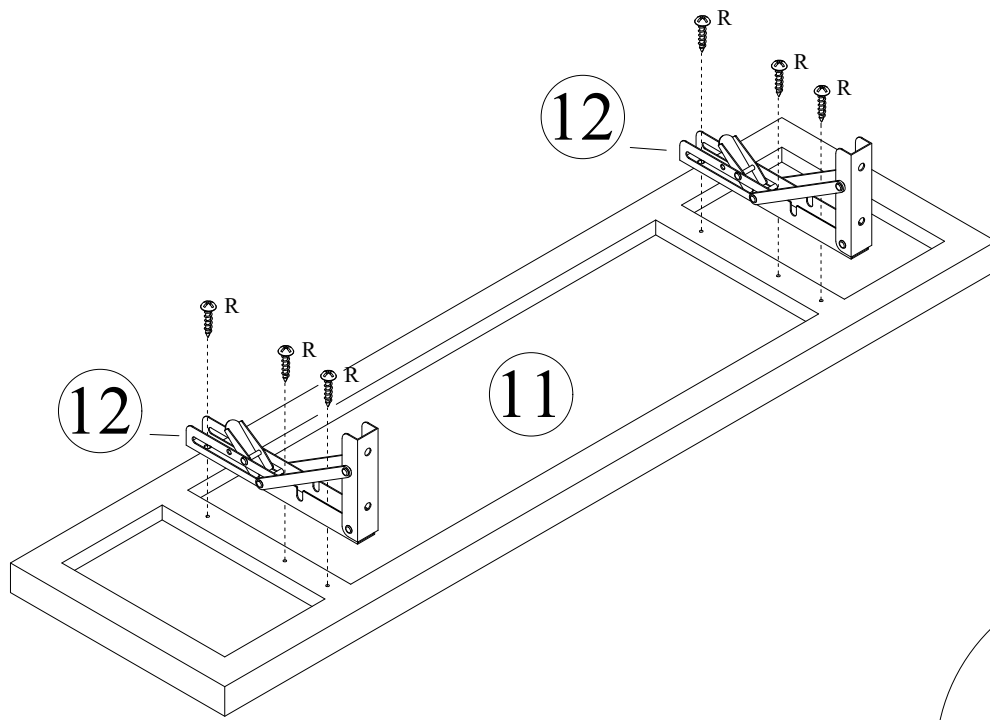
Attach the part 9 to assembled unit using 5pcs screws G.

27

R



x 6



Attach 2pcs parts 12 to the folding top 11 using 6pcs screws R.

28

H

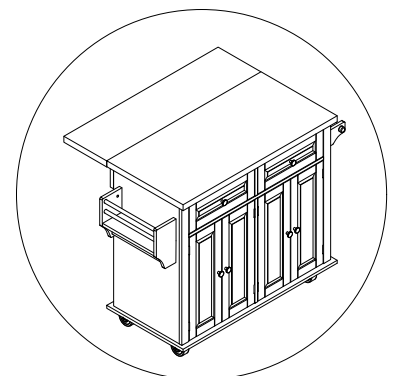
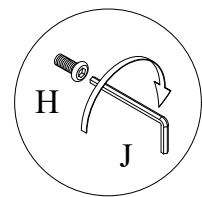
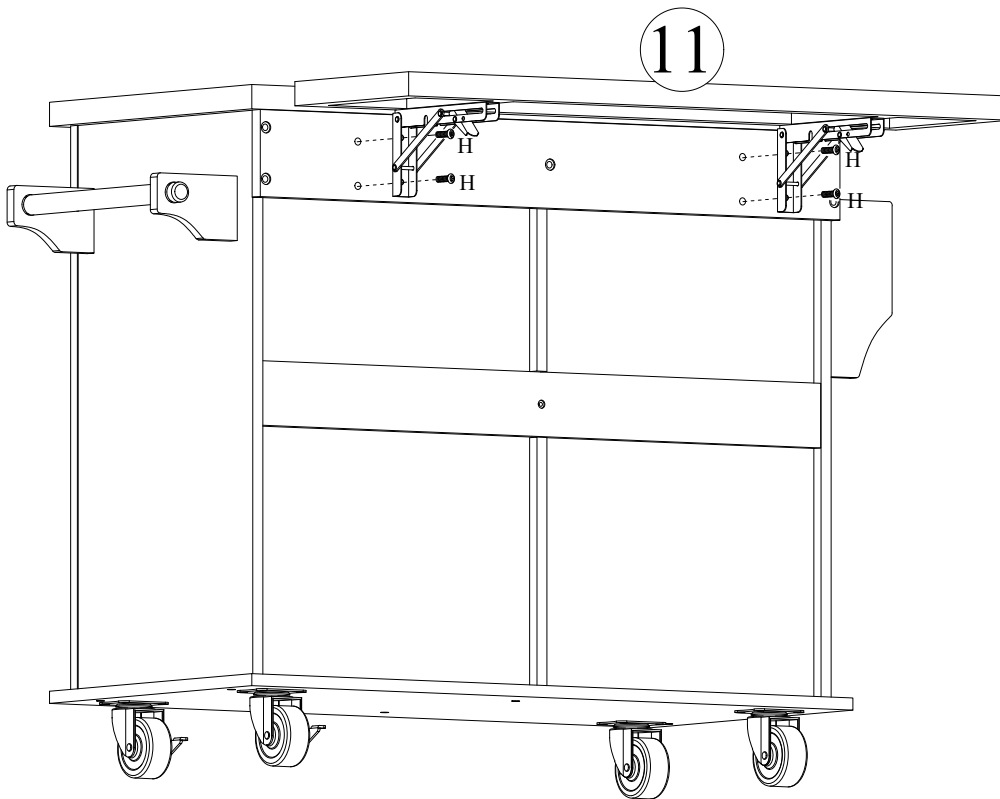


x 4

J

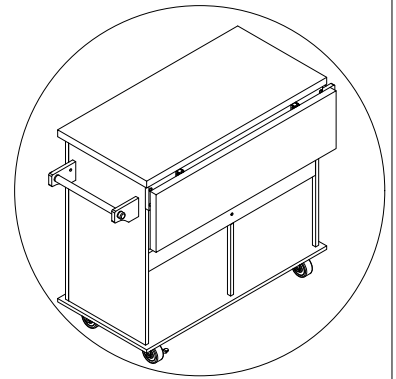
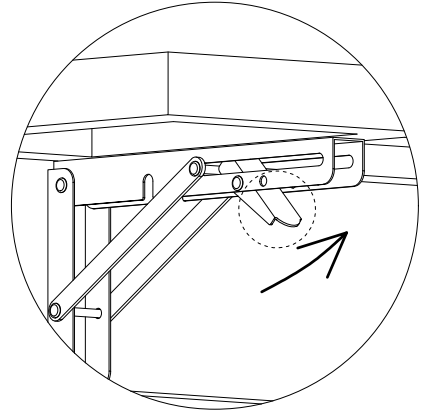
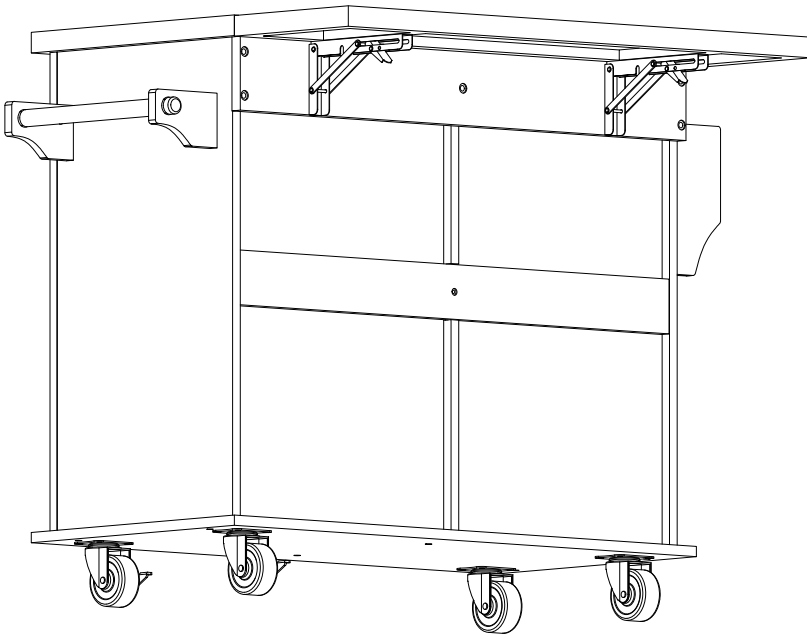


x 1



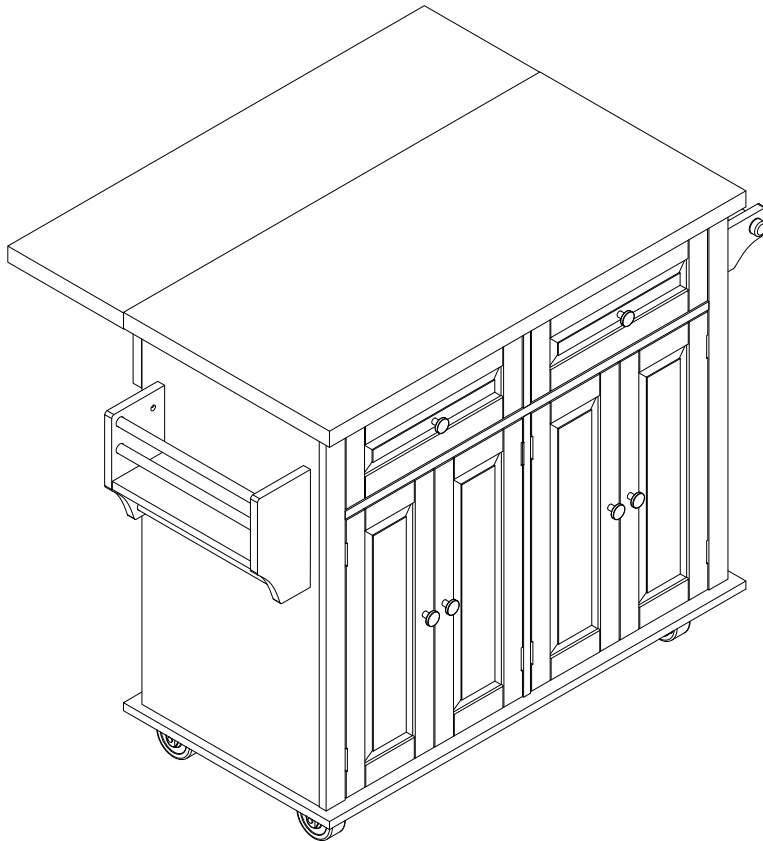
Attach the folding top to the crossbar 9 using 4 bolts H by Allen wrench J.

29



You can pull the switch on the parts 12 and the folding top can be folded.

30



The kitchen island is OK for use.