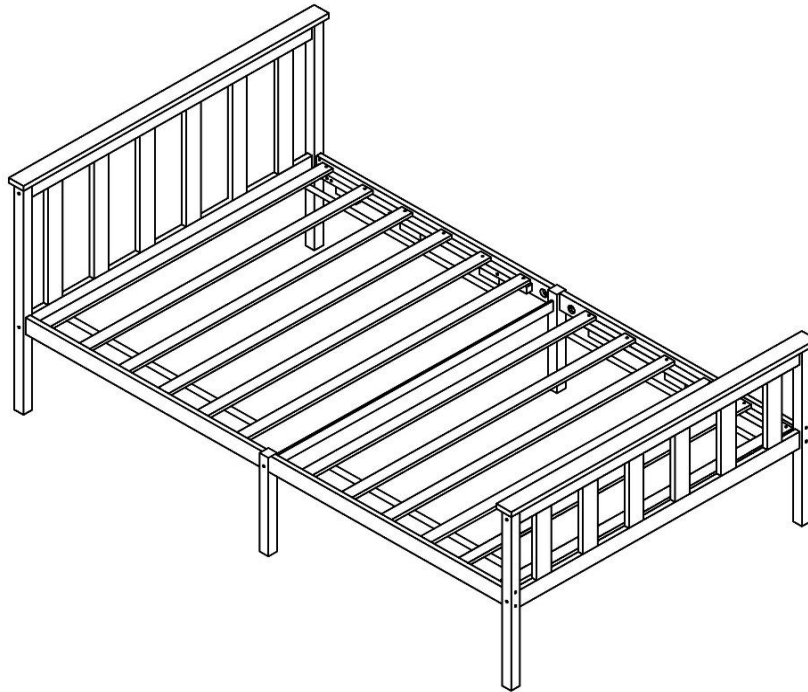


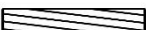

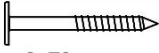





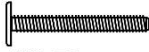






# ASSEMBLY INSTRUCTIONS

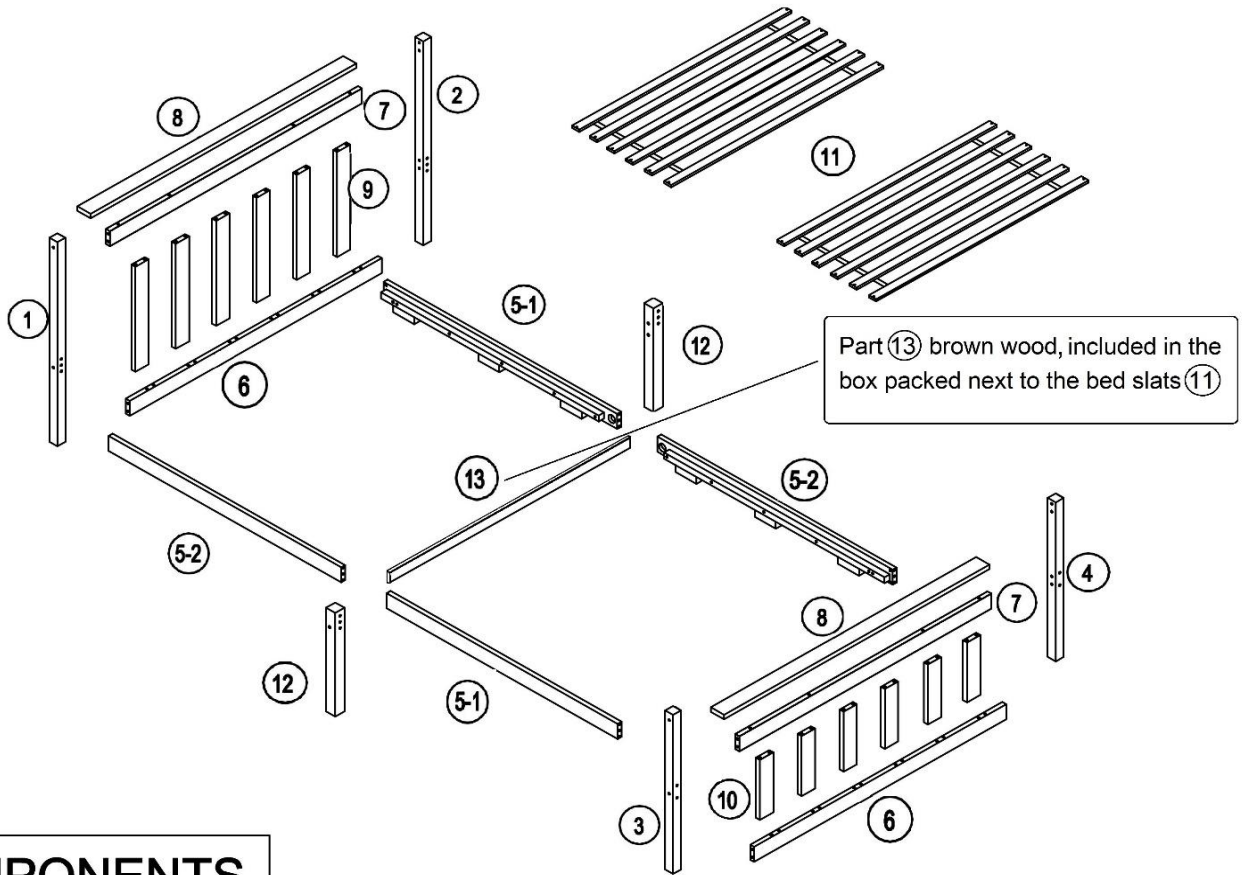


In the unlikely event parts are missing or damaged in transit  
 Please contact the seller on the website your purchase was made.  
 Our customer service team will assist.  
 We are able to arrange replacement parts to complete assembly.

## HARDWARE

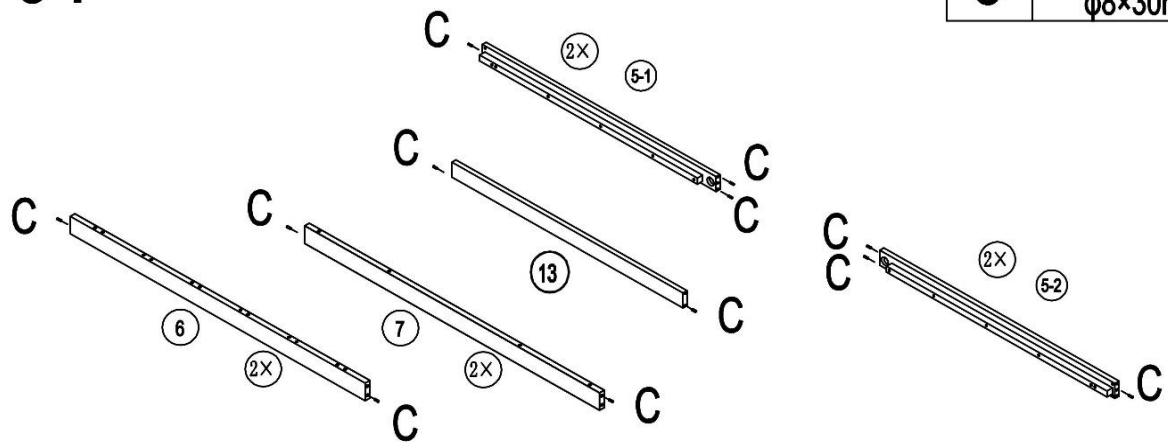
A	 φ6×30mm	48
B		8
C	 φ8×30mm	22
D	  15mm φ6×70mm	10
J	 M6×120mm	2
L		4

E	  15mm M6×75mm	14
G	  8mm φ4×25mm	24
H		1
I	 Screw driver(not provided)	1
K	 NUT M6	4
M	 Spanner	2



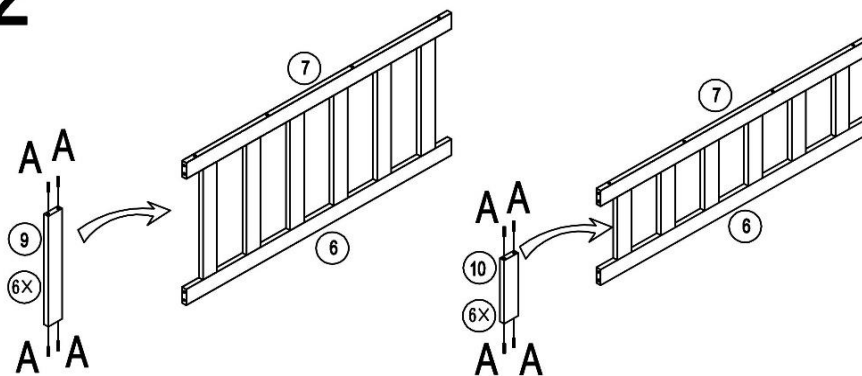
## COMPONENTS

### 01




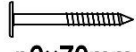
C	 φ8×30mm	22
---	--	----

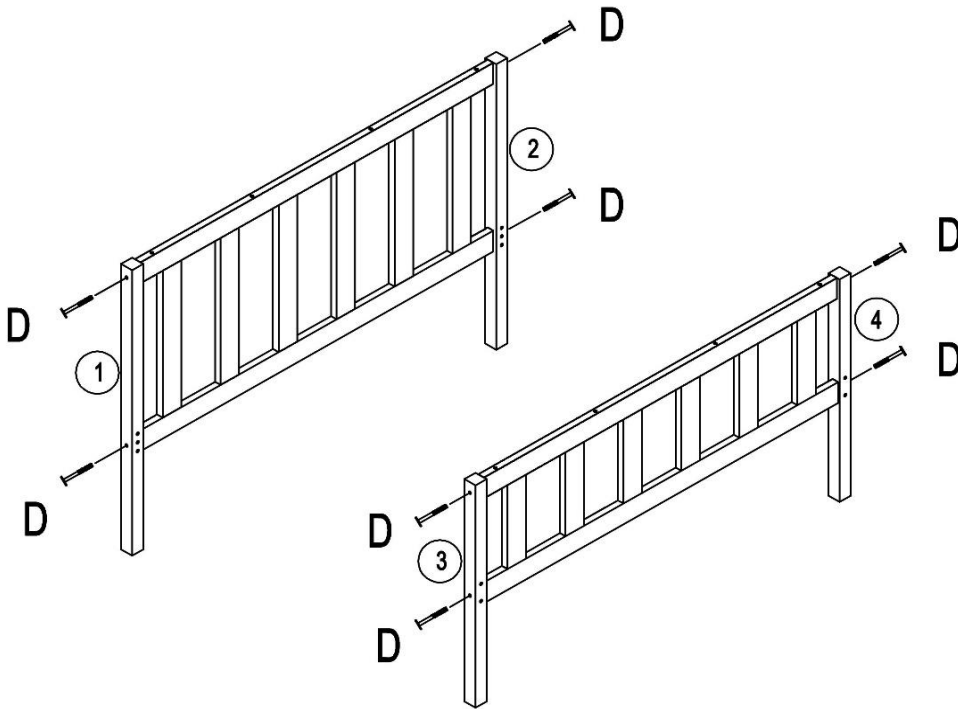
### 02



A	 φ6×30mm	48
---	--	----

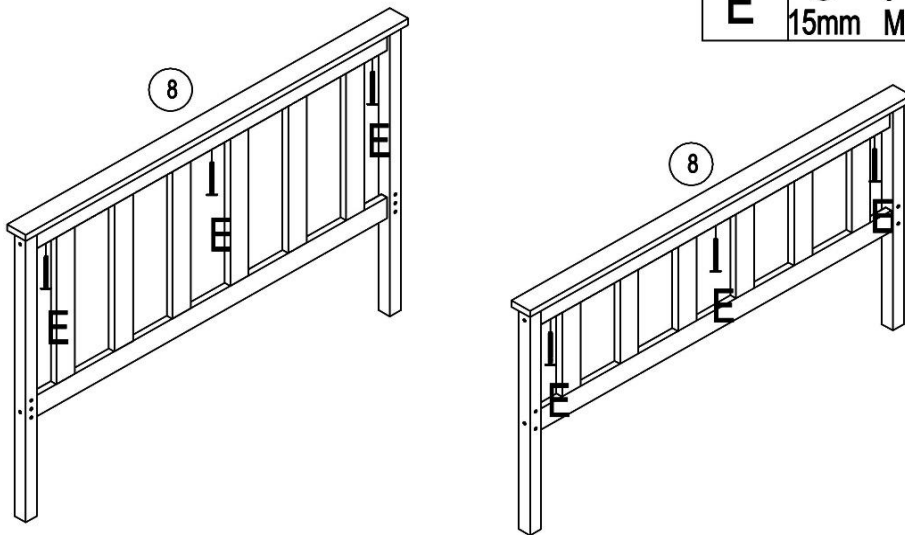
# 03

D			8
	15mm	φ6×70mm	


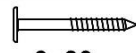


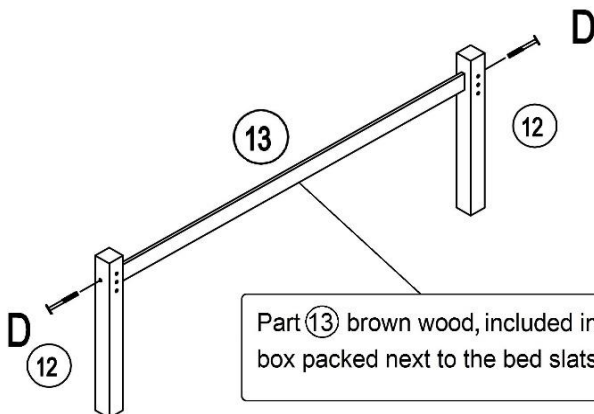
# 04

E			6
	15mm	M6×75mm	









# 05

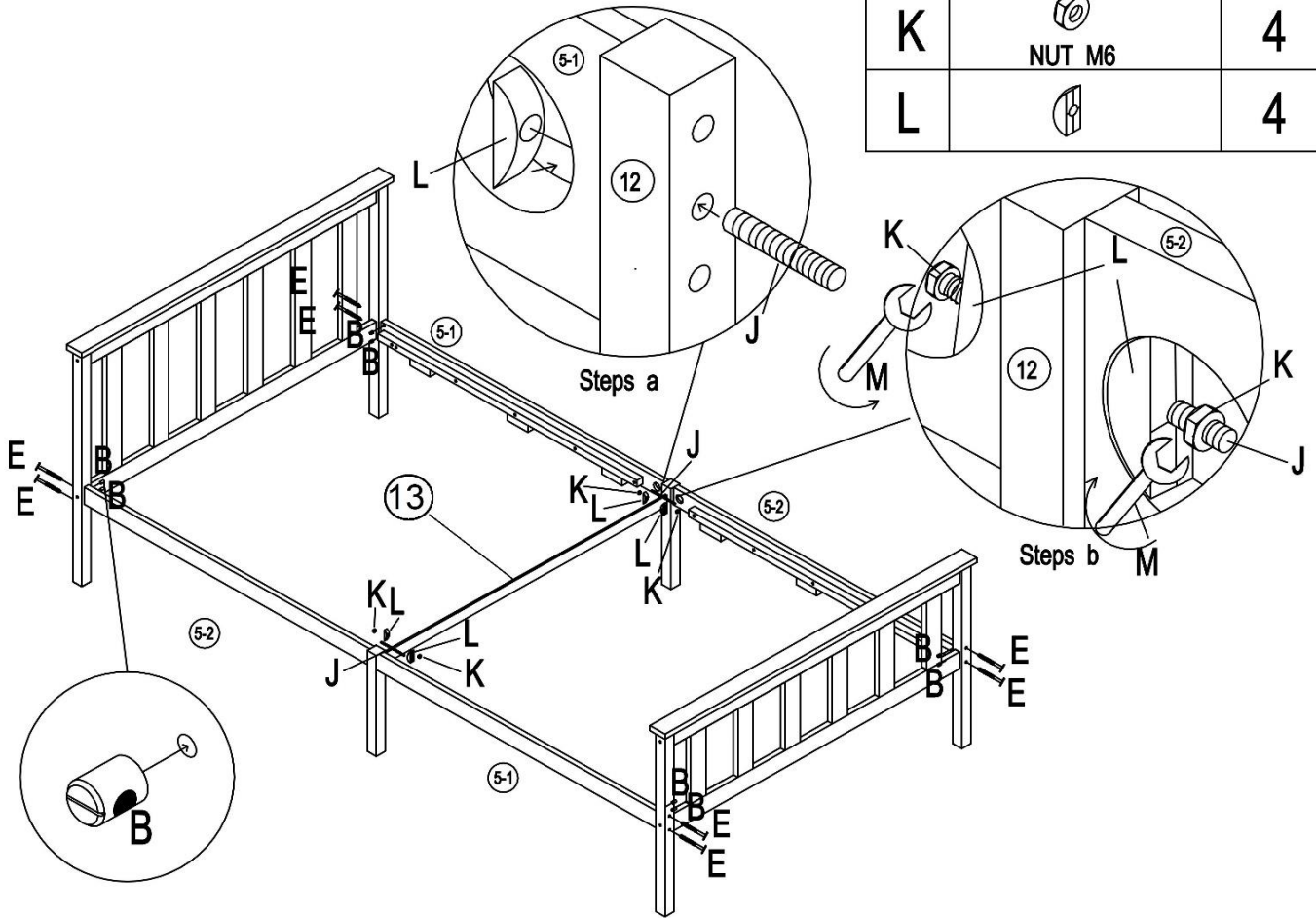
D			2
	15mm	φ6×80mm	



Part 13 brown wood, included in the box packed next to the bed slats 11

# 06

M	 Spanner	2	E	 15mm M6x75mm	8
J	 M6x120mm	2	B		8
K	 NUT M6	4	L		4



# 07

G	 8mm $\phi 4 \times 25\text{mm}$	24
---	---	----

