

ASSEMBLING & INSTALLATION INSTRUCTIONS

The drawing shown may not exactly match the product enclosed.
However, the installation instructions do apply to this product.

- ◆ **WARNING! SHUT POWER OFF AT FUSE OR CIRCUIT BREAKER.**
- ◆ **ATTENTION! COUPER LE COURANT AU FUSIBLE OU UN DISJONCTEUR.**

ASSEMBLING THE FIXTURE (Fig.1)

1. Shut off the power at the circuit breaker box. Remove old fixture and all hardware from Junction Box. Carefully unpack your new fixture and lay out all the parts on a clear area. Take care not to lose any small parts necessary for installation.
2. Mount the back plate(F) to the wall with the plastic anchors(E) and the wood screw(G). The side of the mounting plate marked "GND" must face out. **The junction box is not included.**
3. Guide fixture wires through hole in center of mounting plate.
4. Follow wiring instructions carefully (**see fig.2**).
5. Attach the fixture body (C) onto the back plate, aligning the mounting hole and the screw hole of the back plate(F), lock it securely with the mounting screw(D). Mount the plastic anchors and short cord slot(H) to the wall, lock them with the wood screw. slide the fixture wires into the short cord slot, then attach the long cord slot(I) snap into the short cord slot.
6. If you not need cord assembly of the fixture lamp, please pause and take out fixture wires nuts of the back plate, then follow wiring instructions carefully. (**see fig.2 and fig.1.1**)
7. Raise the shade(A) to the lamp holder, then lock it securely with check ring (B) until tight.
8. Install the light bulb(not included) in accordance with the fixture's specifications. **NOTE: DO NOT EXCEED THE MAXIMUM WATTAGE RATING!**

CONNECTING THE WIRES (Fig.2)

1. Connect the electrical wires as follows. Connect the Black wire from the fixture to the black house (hot) Wire. Connect the white wire from the fixture to the white (neutral) house wire. Make sure all wire nuts are secured. You may wrap the connections with electrical tape. If your outlet box has a ground wires (green or bare copper) connect fixture's ground wire to it. Otherwise attach the bare copper fixture wire to the green ground screw on the mounting plate.
2. Tuck the wire connections neatly into the wall junction box.

Your installation is now complete. Return power to the junction box and test the fixture.

FIG.1

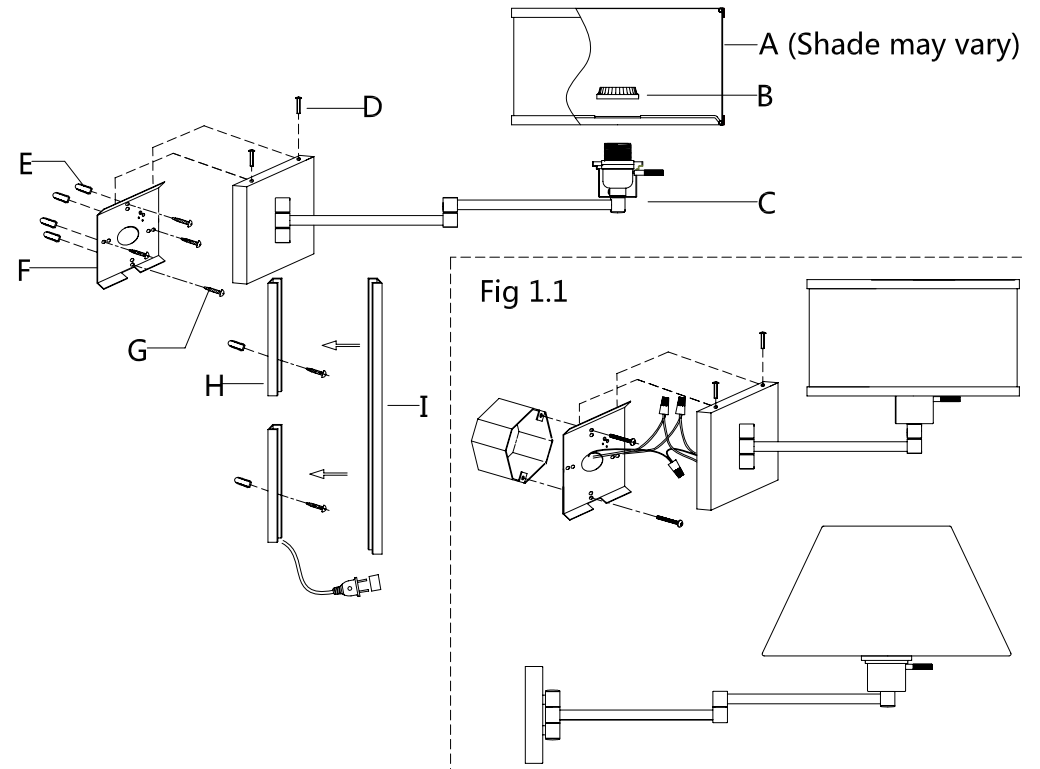
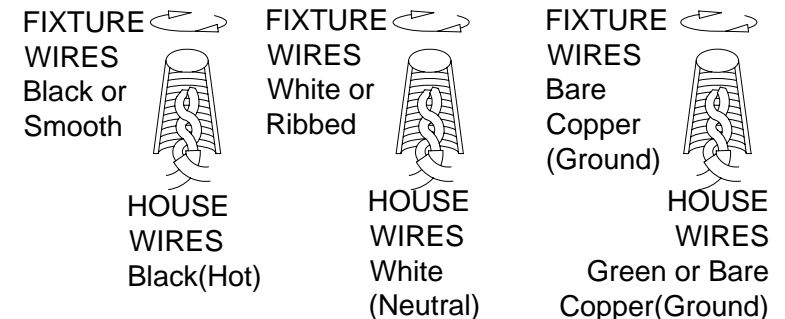


FIG.2



Thank you for purchasing this product.
Need assistance with parts or assembly? Please call customer service
Or visit us on-line