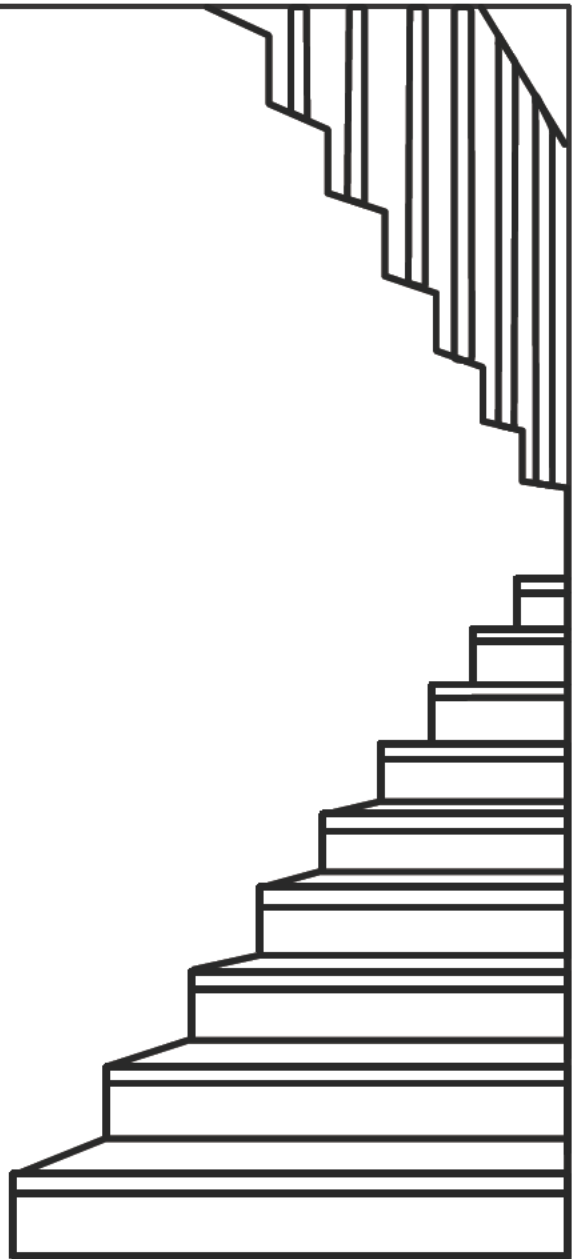
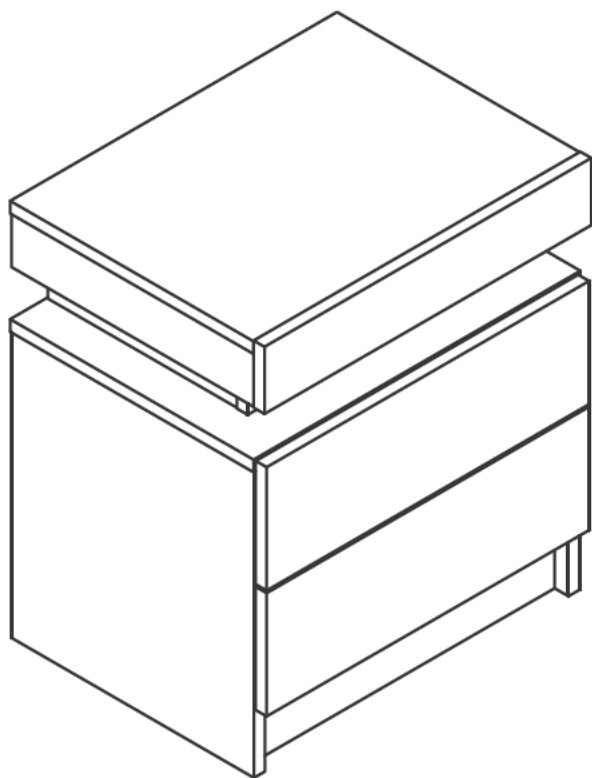


Furniture embellishes life, Hommpa art furniture





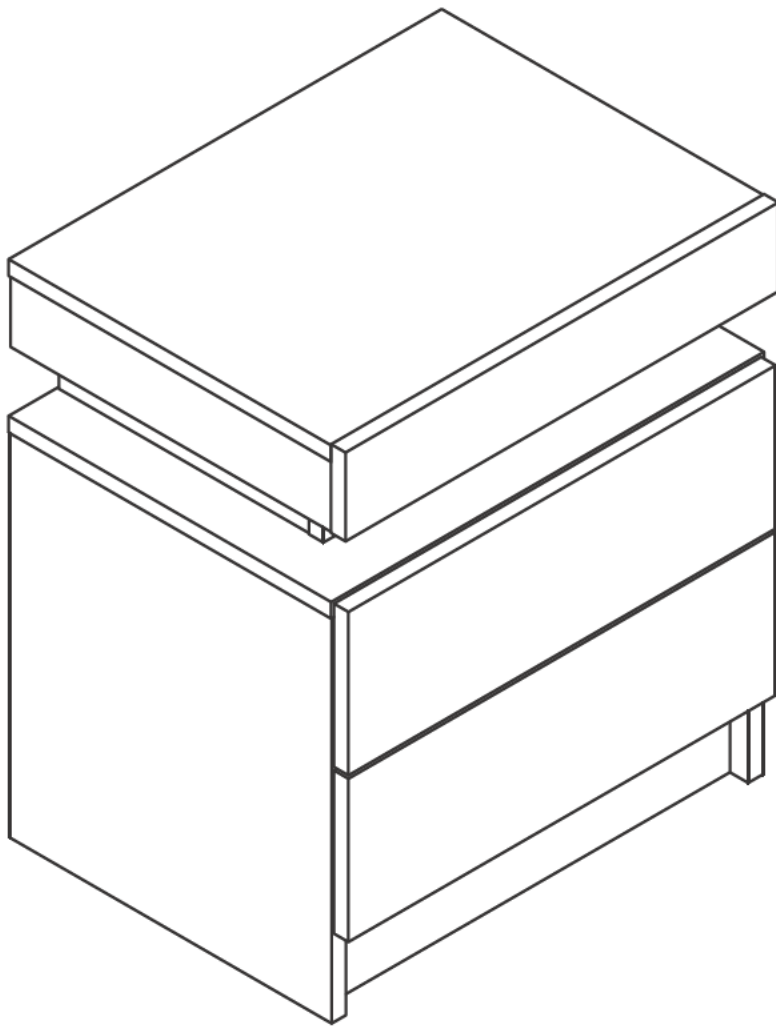
# **BEDSIDE TABLE**

---

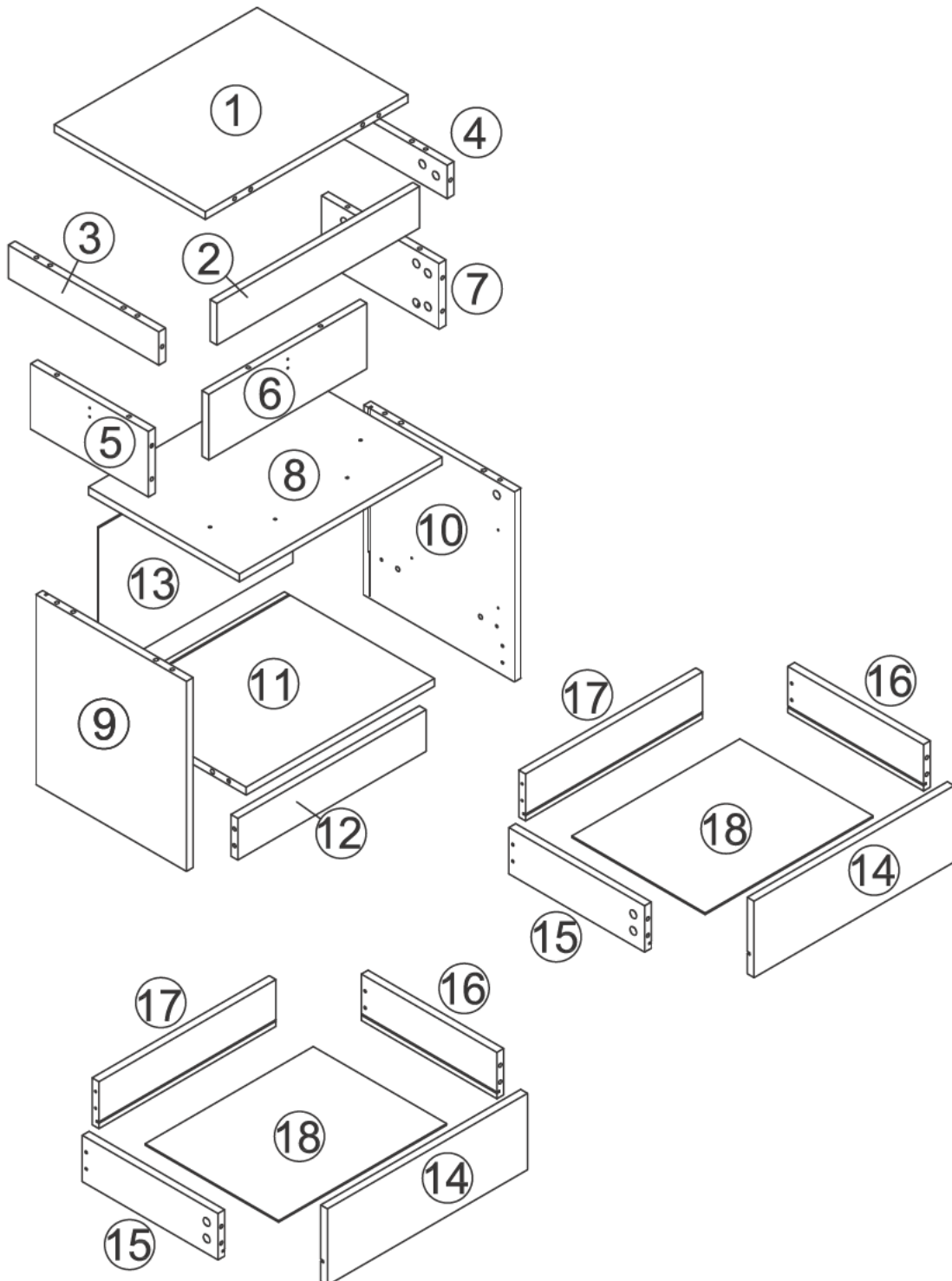
# **USER MANUAL**

1

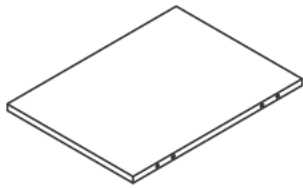
# ASSEMBLY INSTRUCTIONS



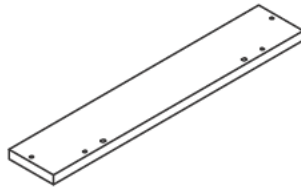
## BOARD IDENTIFICATION



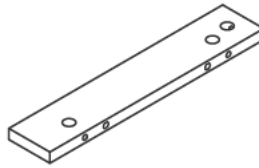
# PARTS LIST



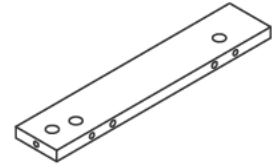
①  
MAIN PANEL  
X1



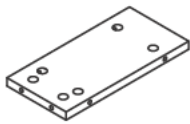
②  
UPPER FRONT PANEL  
X1



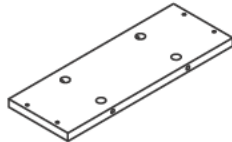
③  
UPPER LEFT SIDE PANEL  
X1



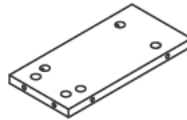
④  
UPPER RIGHT SIDE PANE  
X1



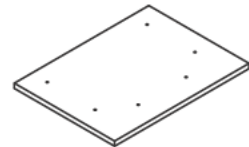
⑤  
UPPER LEFT SIDE PANEL  
X1



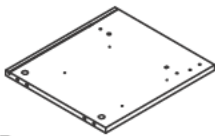
⑥  
UPPER FRONT PANEL  
X1



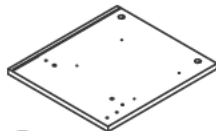
⑦  
UPPER RIGHT SIDE PANEL  
X1



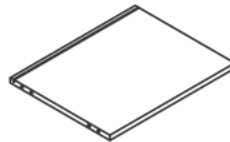
⑧  
FIXED PANEL  
X1



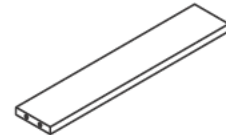
⑨  
LOWER LEFT SIDE PANEL  
X1



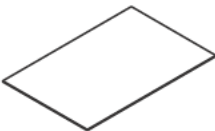
⑩  
LOWER RIGHT SIDE PANEL  
X1



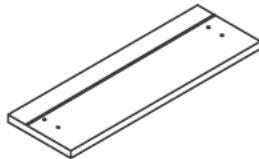
⑪  
BOTTOM  
X1



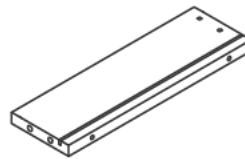
⑫  
LOWER FRONT PANEL  
X1



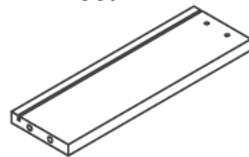
⑬  
BACK  
X1



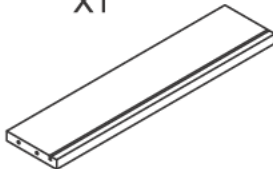
⑭  
DRAWER FRONT  
X2



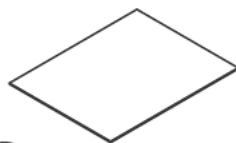
⑮  
DRAWER LEFT  
X2



⑯  
DRAWER RIGHT  
X2



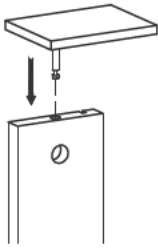
⑰  
DRAWER BACK  
X2



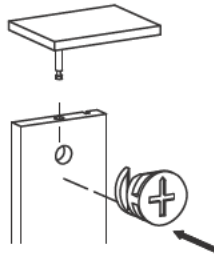
⑱  
DRAWER BOTTOM  
X2

# 4

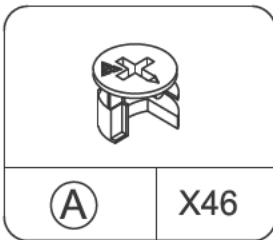
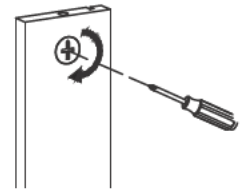
1



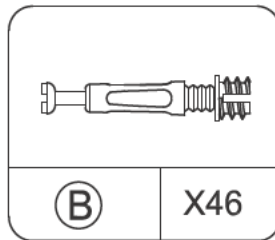
2



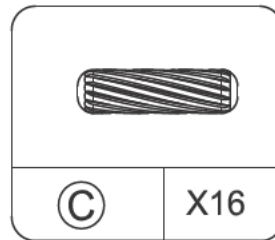
3



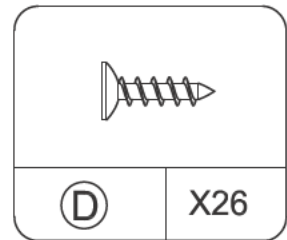
CAM LOCK  
F15\*11



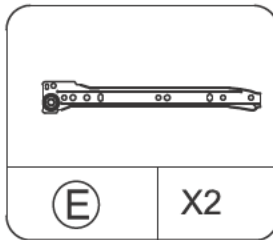
CAM BOLT  
F7\*31



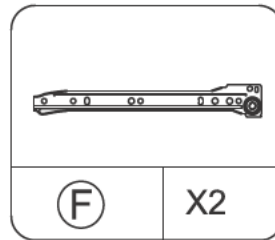
WOOD DOWEL  
F8\*30



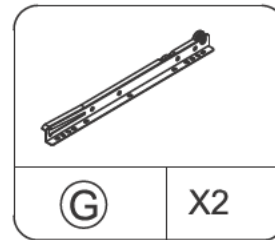
SCREW  
F3.5\*12



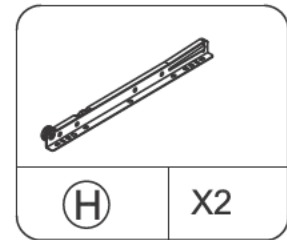
LEFT OUTER TRACK  
F20\*300



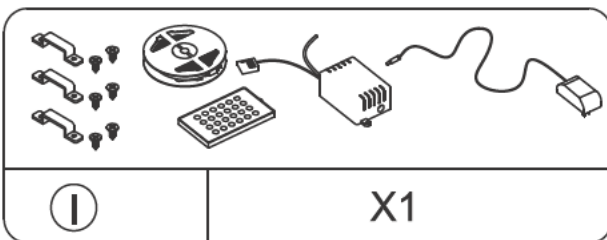
RIGHT OUTER TRACK  
F20\*300



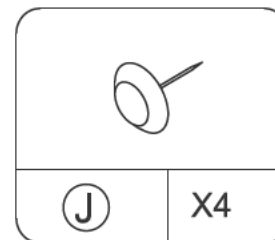
LEFT INNER TRACK  
F20\*300



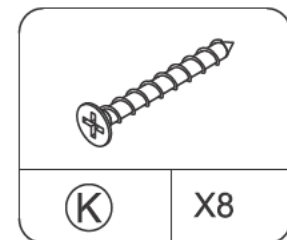
RIGHT INNER TRACK  
F20\*300



LIGHT STRIP



SPIKES

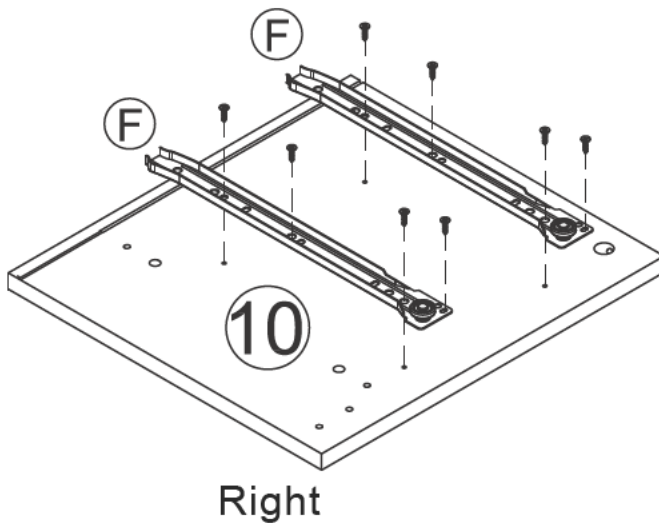
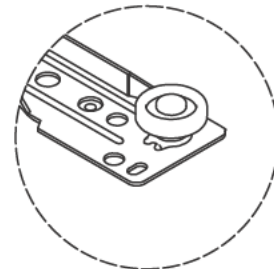
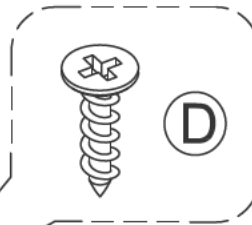
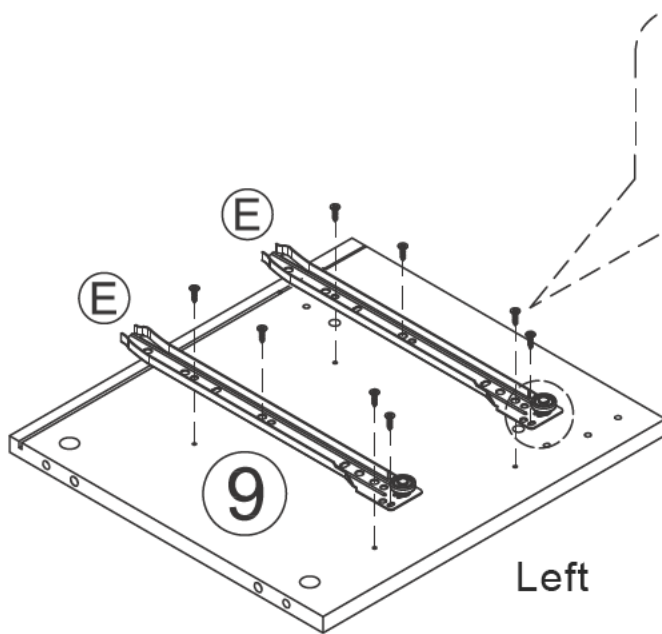
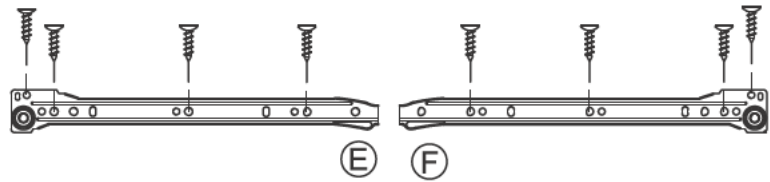
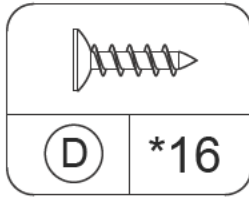


SCREW  
F4\*35

5

## STEP 1

- Install drawer track (E) & (F) to panel (9) & (10) with screws (D).

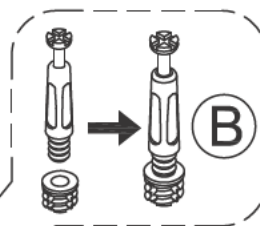
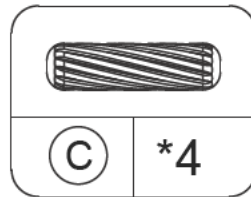
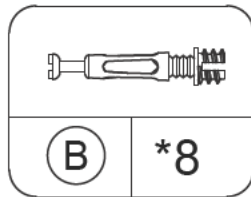


Bottom track installation video

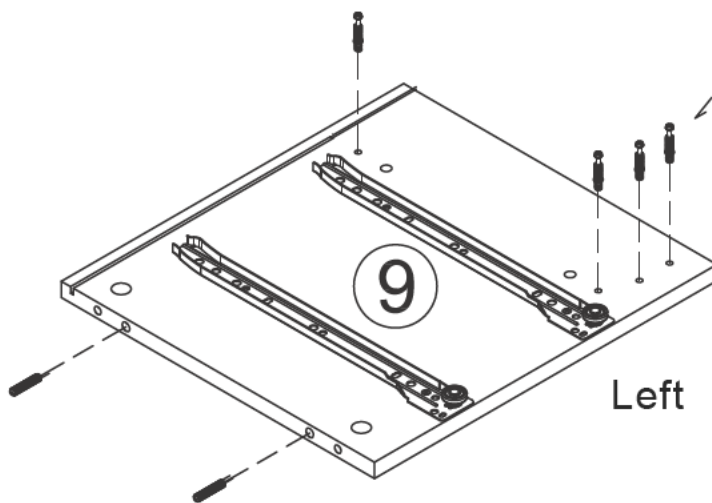
# 6

## STEP 2

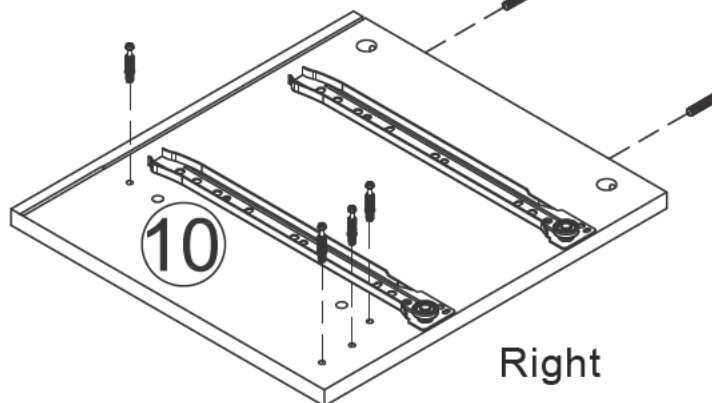
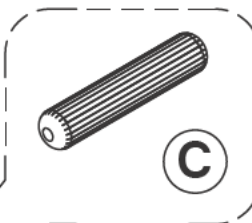
- Screw cam bolts (B) into panel (9) & (10) .
- Insert wood dowels (C) into panel (9) & (10) .



(Attention: Cam bolt & Insert nut need to be put together)



Left

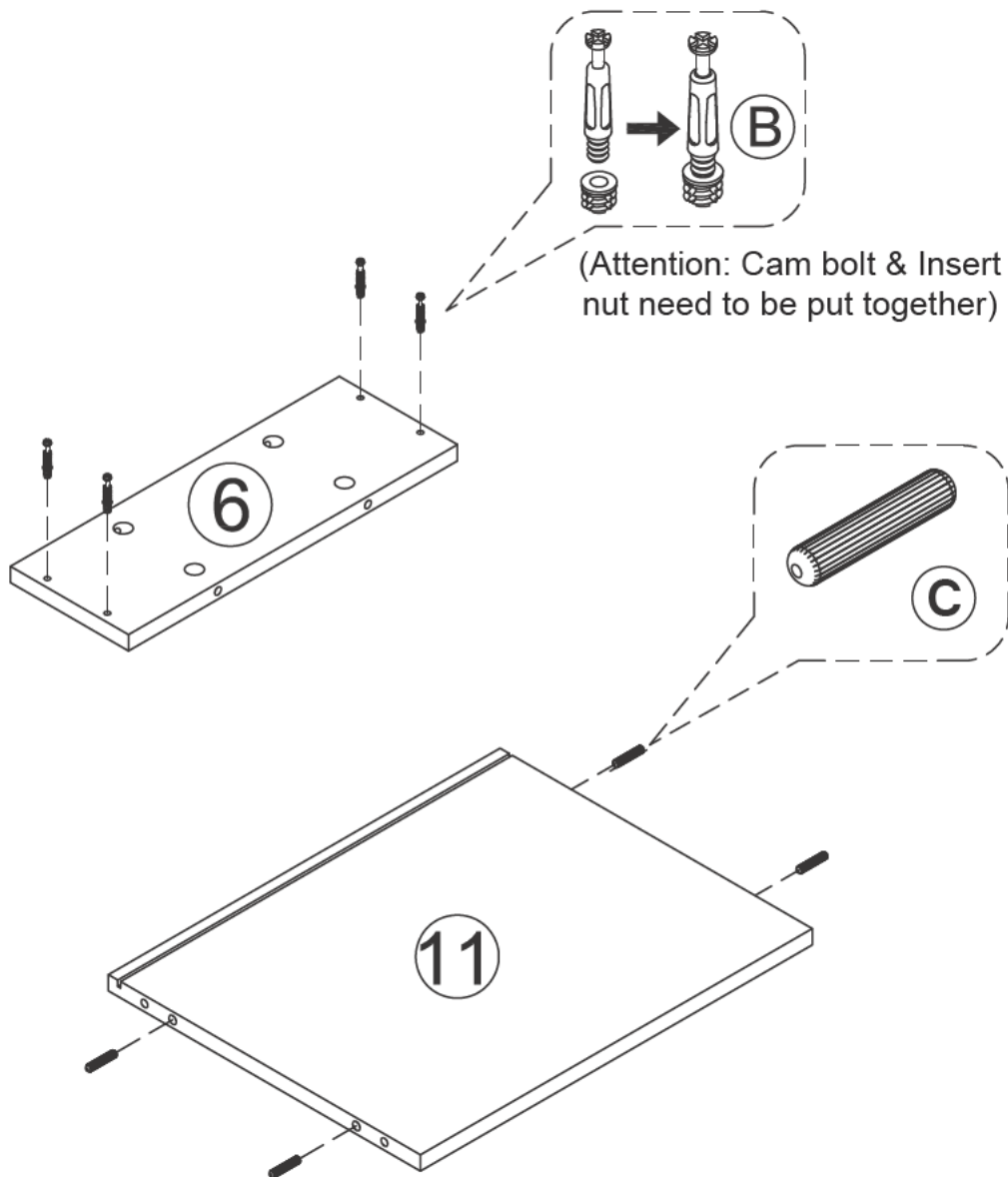
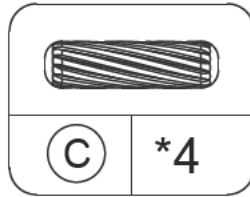
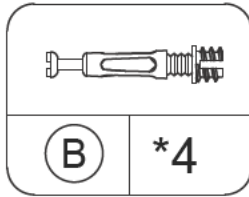


Right

7

## STEP 3

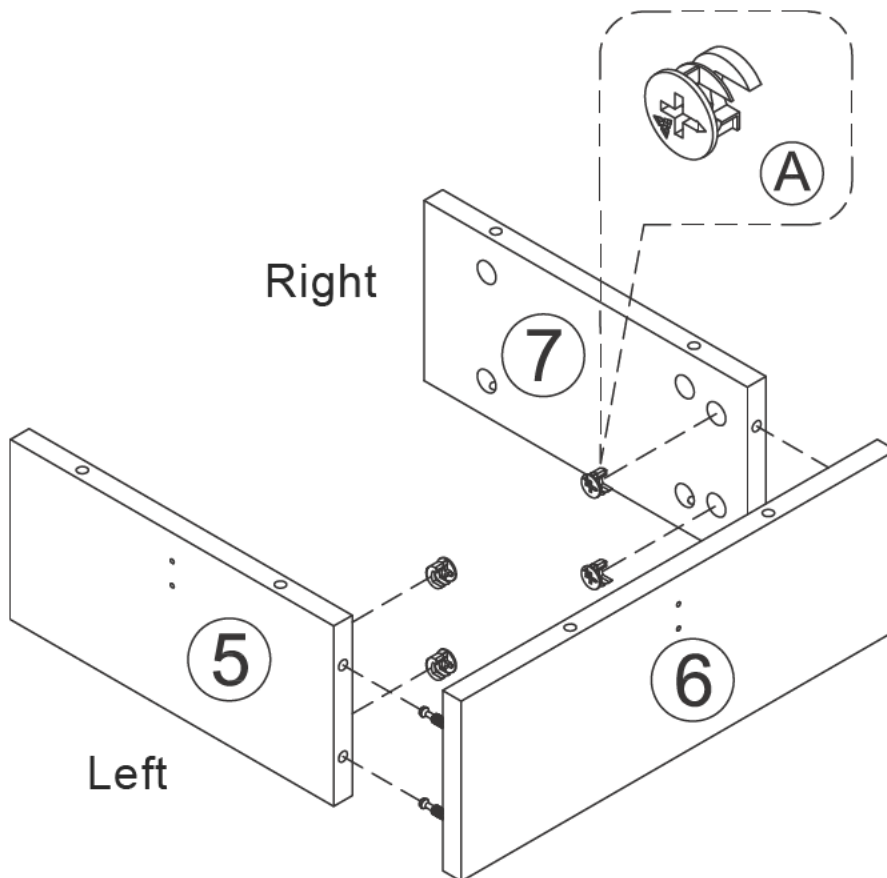
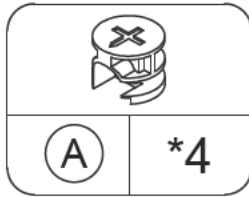
- Screw cam bolts (B) into panel (6) as below shown.
- Insert wood dowels (C) into panel (11) as shown in the picture.



8

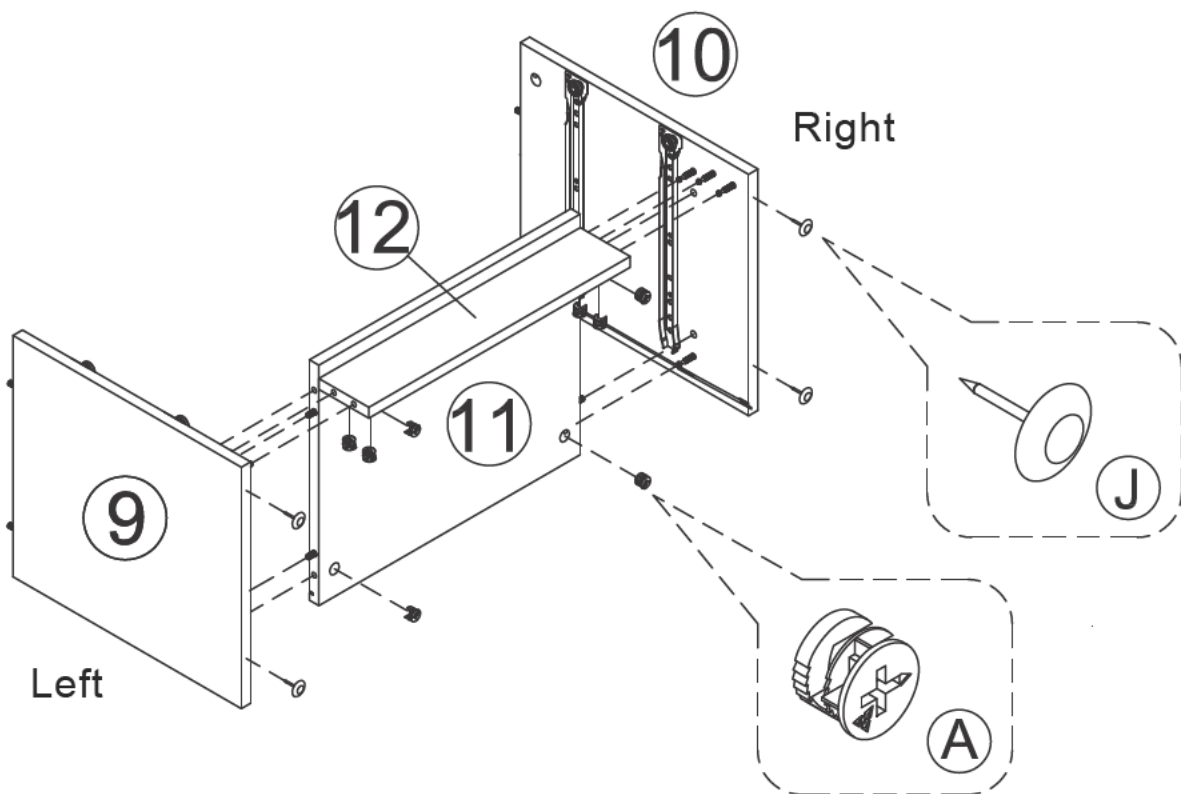
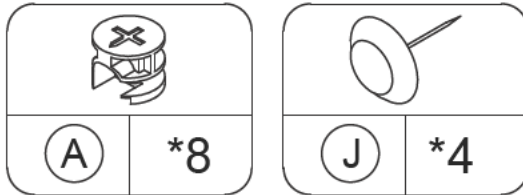
## STEP 4

- Attach panel (5) & (7) to (6) with cam locks (A).



## STEP 5

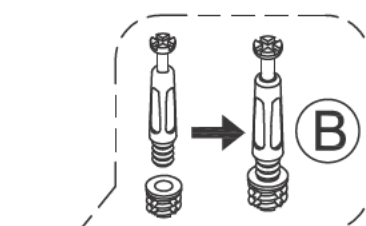
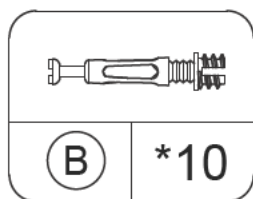
- Attach panel (9) & (10) to (11) & (12) with cam locks (A).
- Knock spikess (J) into panel (9) & (10) as below shown.



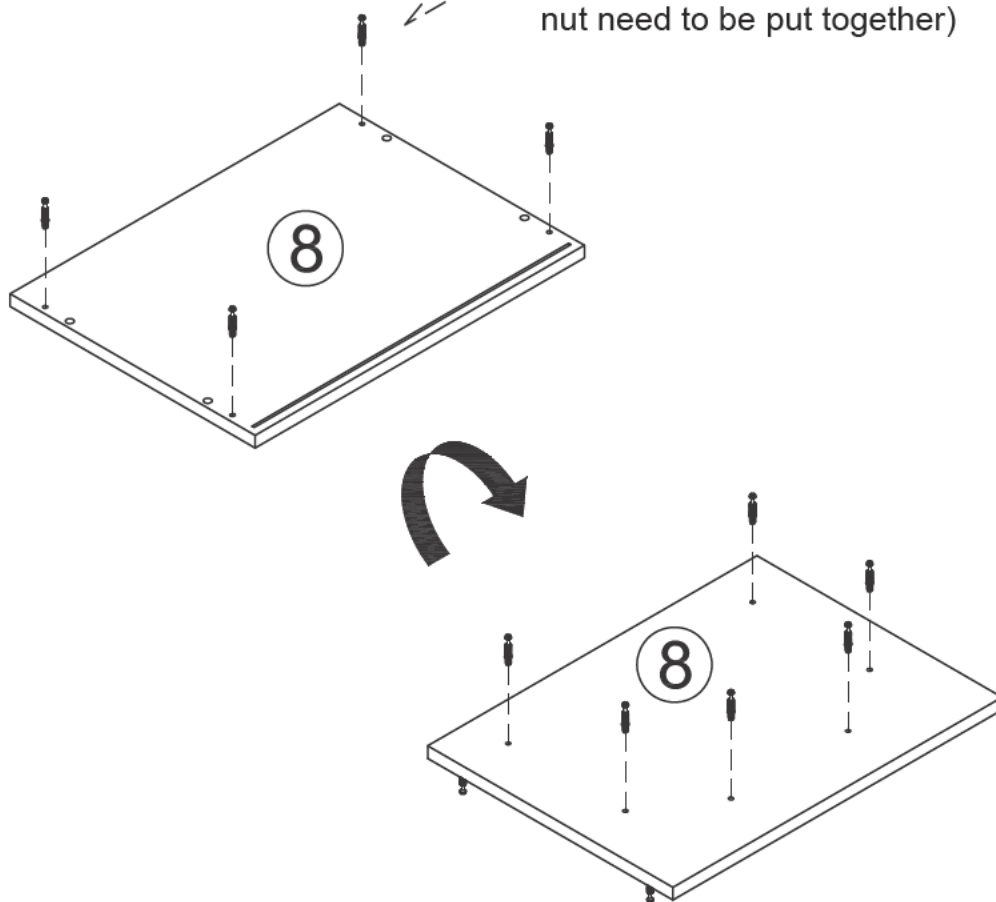
10

## STEP 6

- Screw cam bolts (B) into panel (8) as below shown.



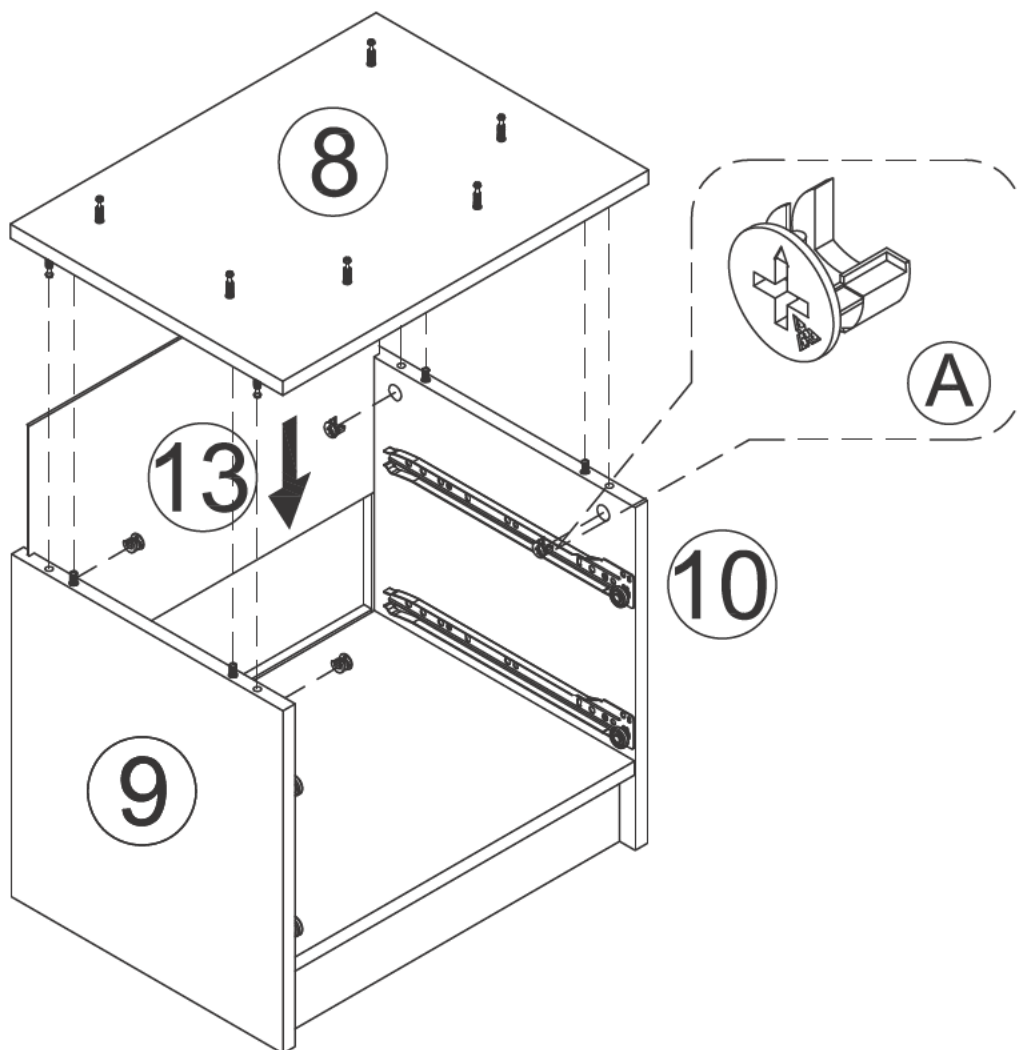
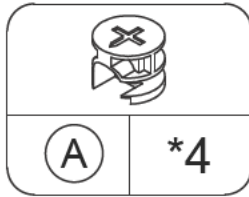
(Attention: Cam bolt & Insert nut need to be put together)



11

## STEP 7

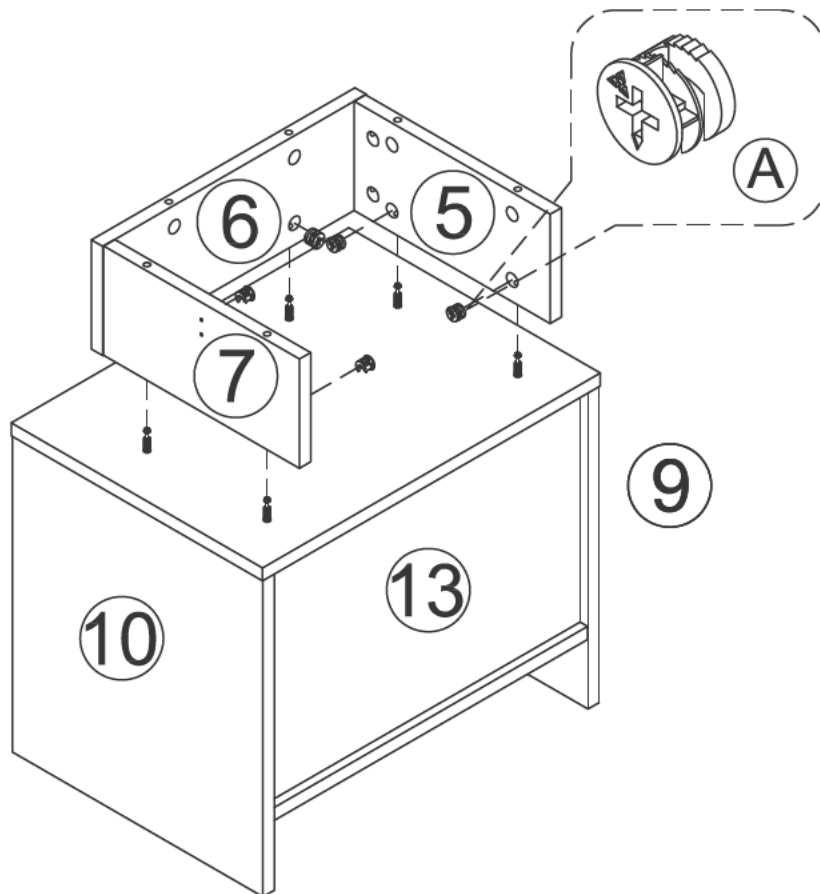
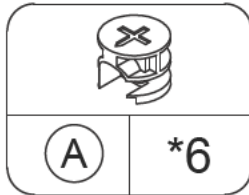
- Insert panel (13) into the grooves.
- Attach panel (8) to (9) & (10) with cam locks (A).



12

## STEP 8

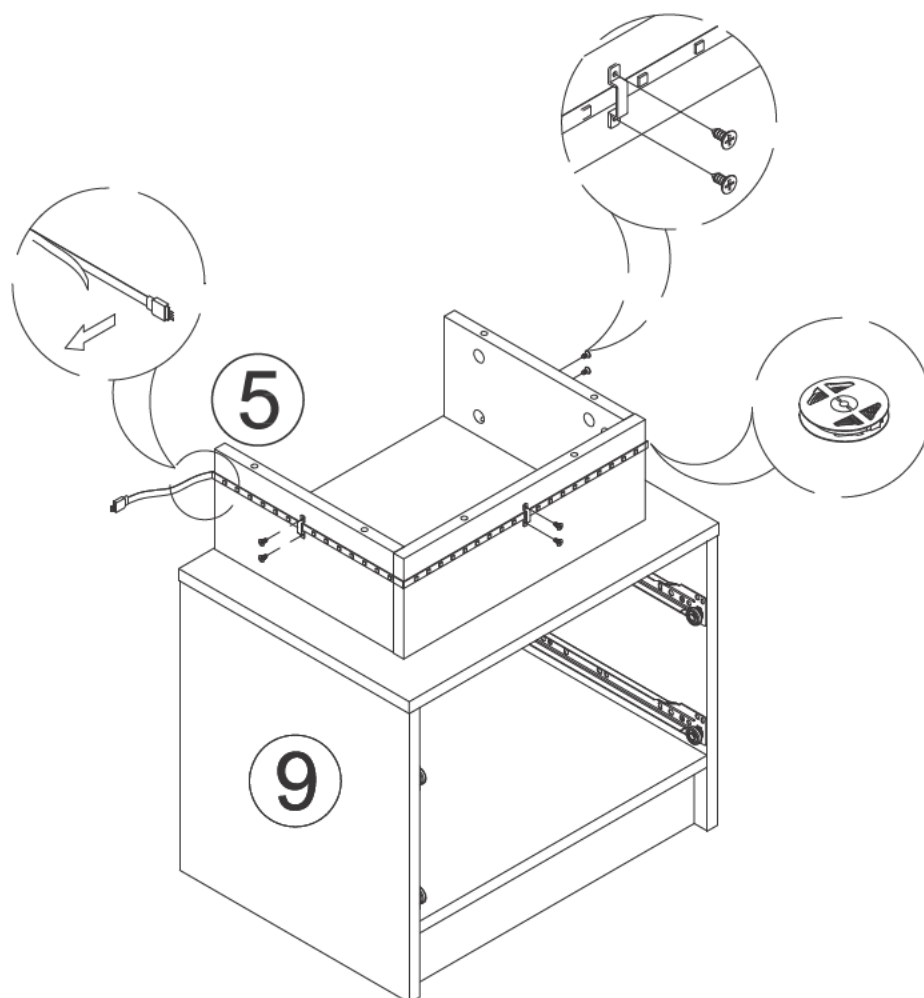
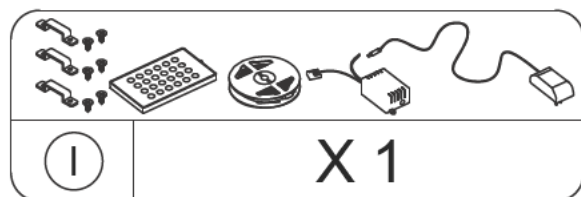
- Attach panel (5) & (6) & (7) to (8) with cam locks (A).



# 13

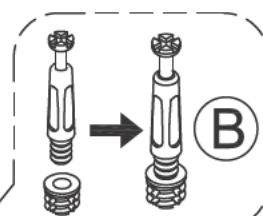
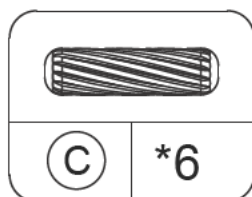
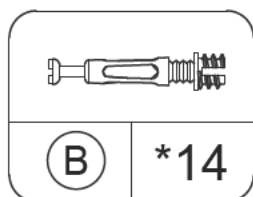
## STEP 9

- Stick LED band to the side of the panel.
- Fasten the LED band with buckles.

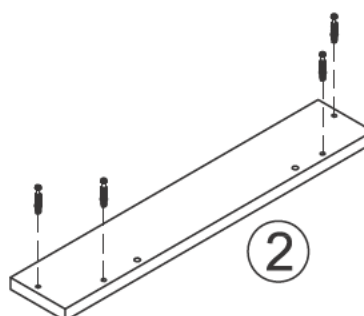
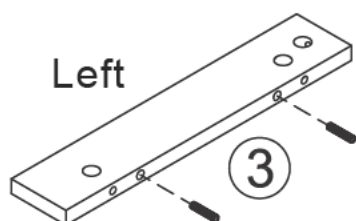
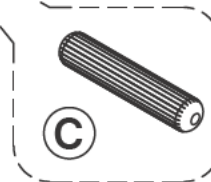
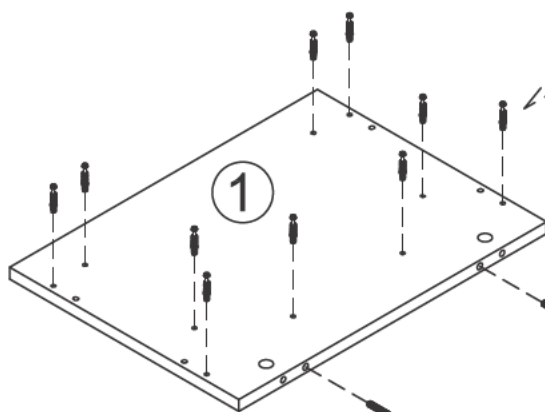


## STEP 10

- Screw cam bolts (B) into panel (1) & (2) .
- Insert wood dowels (C) into panel (1) & (3) & (4) .



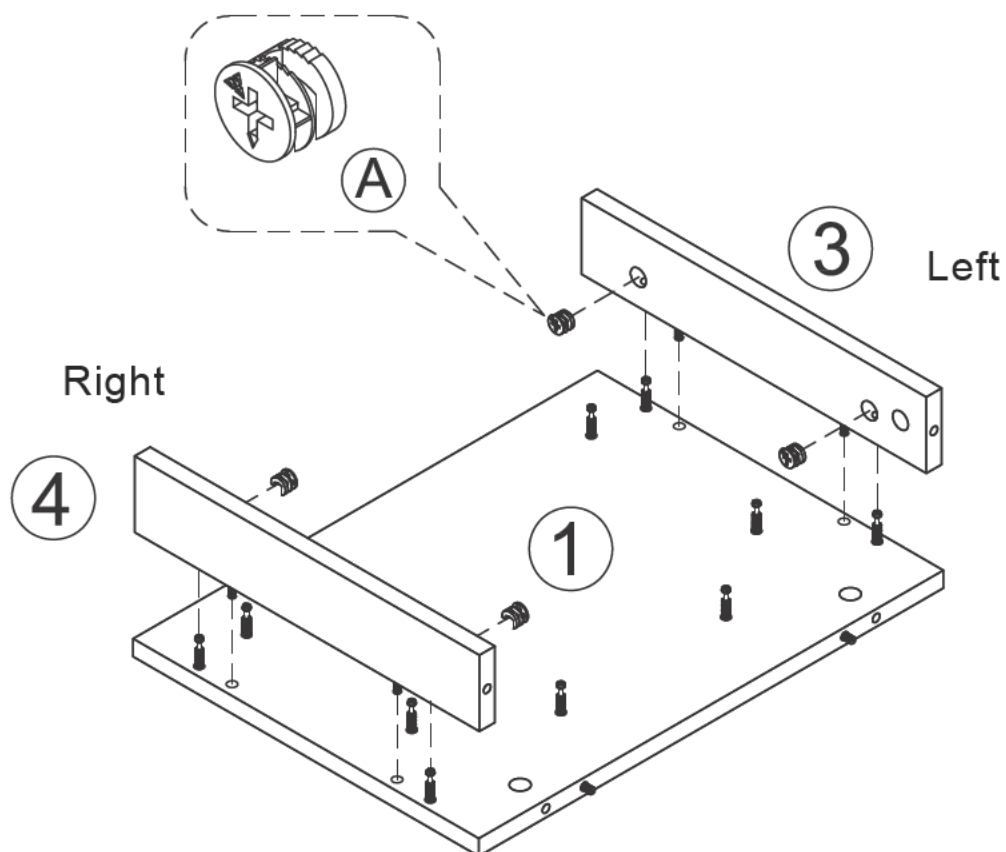
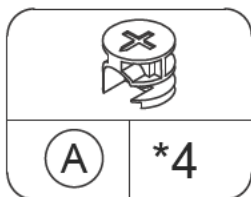
(Attention: Cam bolt & Insert nut need to be put together)



15

## STEP 11

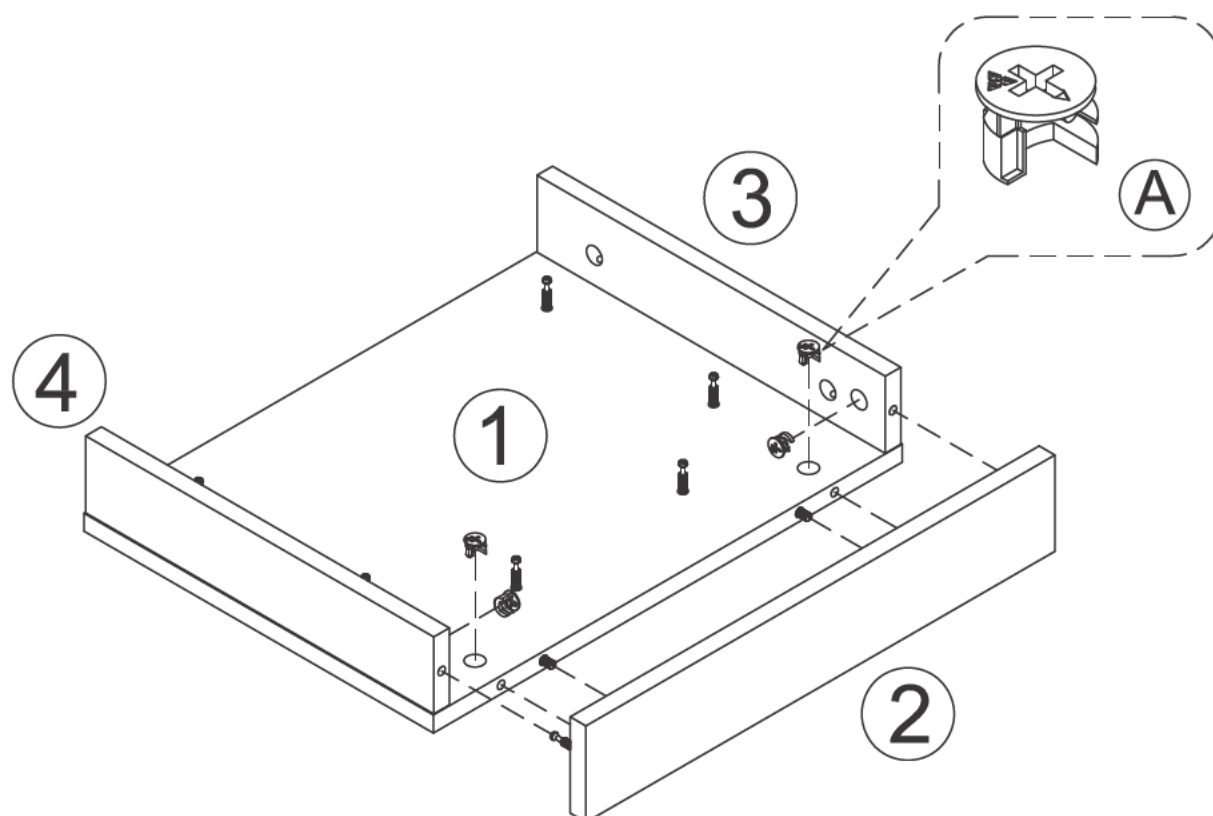
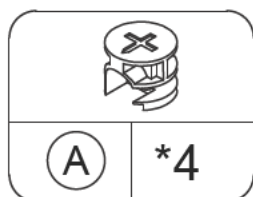
- Attach panel (3) & (4) to (1) with cam locks (A).



16

## STEP 12

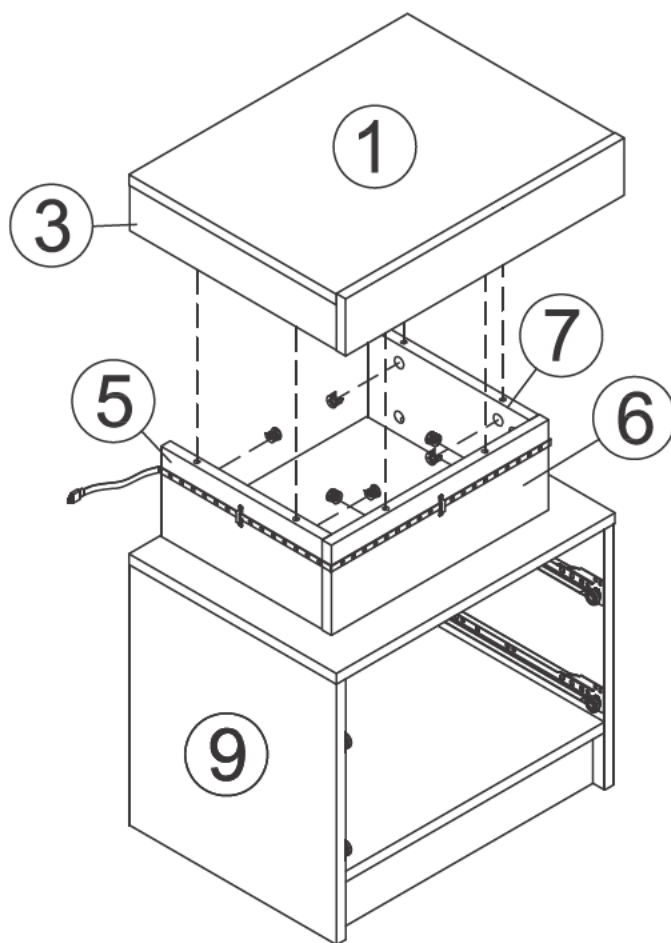
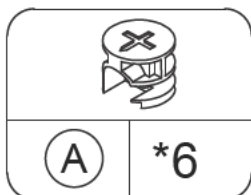
- Attach panel (2) to (1) & (3) & (4) with cam locks (A).



17

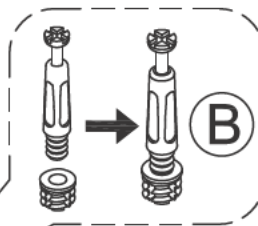
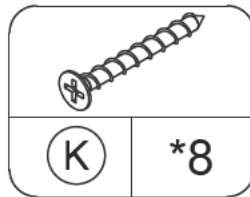
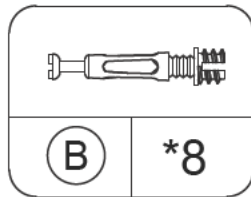
## STEP 13

- Attach panel (1) to (5) & (6) & (7) with cam locks (A).



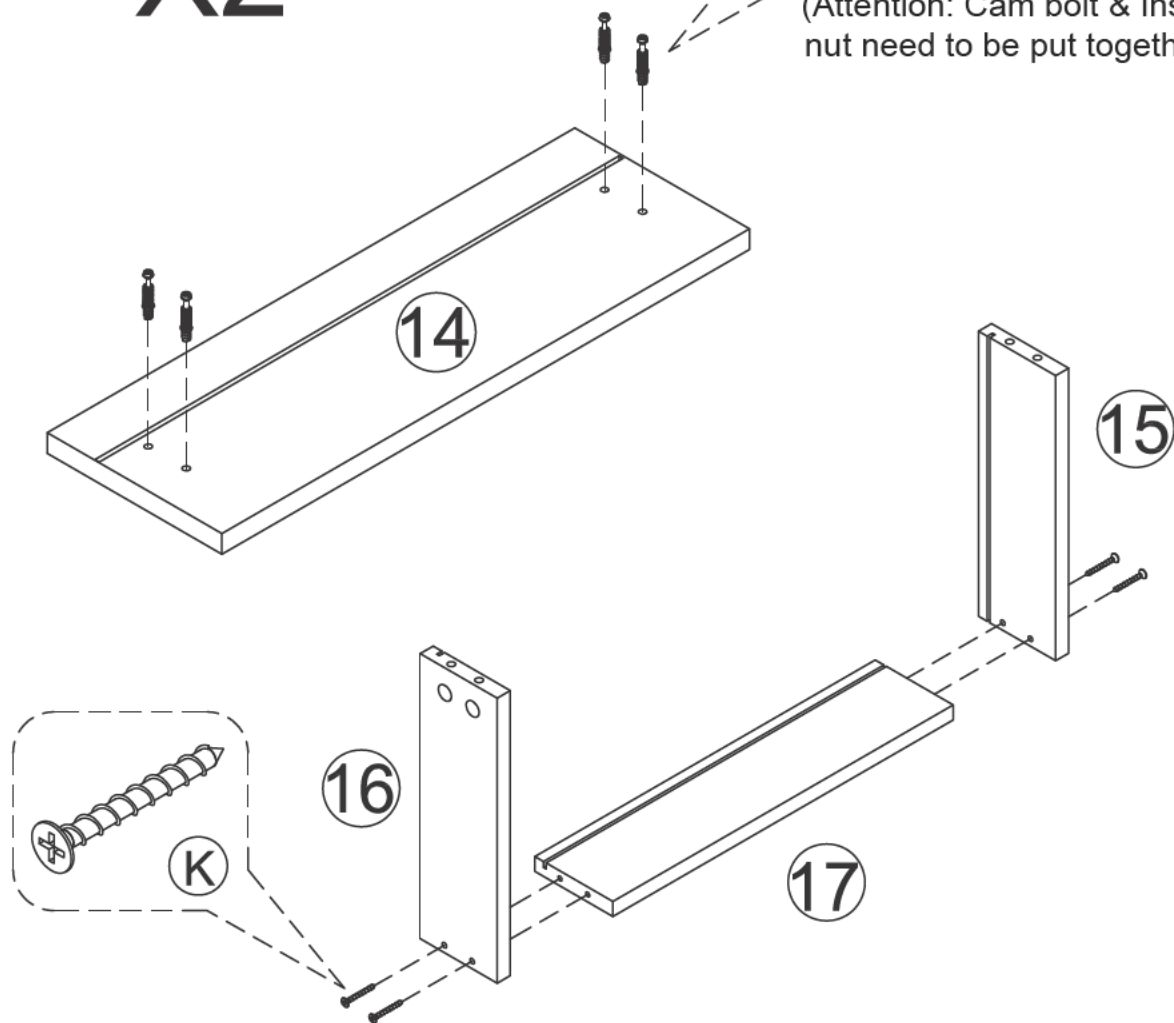
## STEP 14

- Screw cam bolts (B) into panel (14) as below shown.
- Attach panel (17) to (15) & (16) with screws (K).



(Attention: Cam bolt & Insert nut need to be put together)

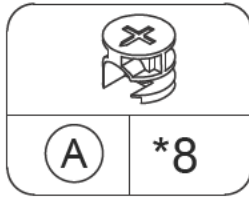
X2



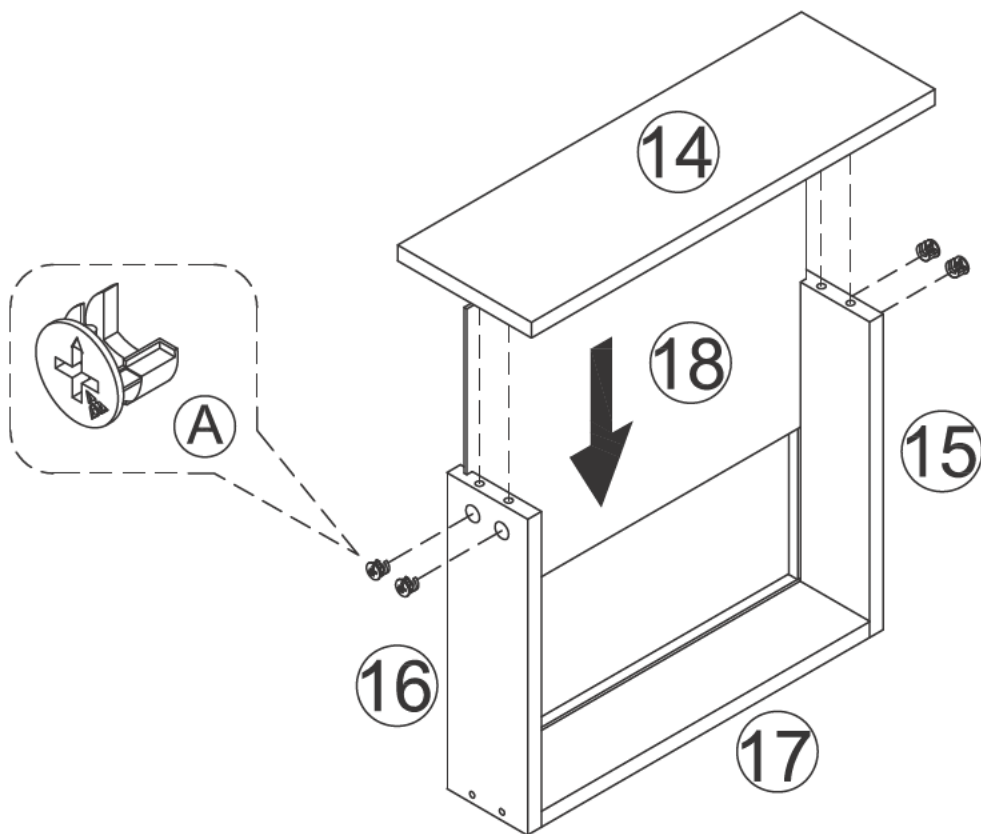
19

## STEP 15

- Insert panel (18) into the grooves.
- Attach panel (14) to (15) & (16) with cam locks (A).

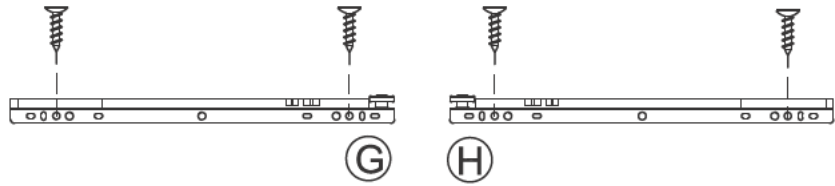
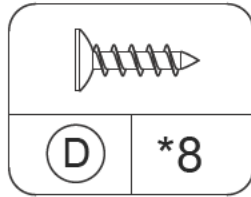


X2

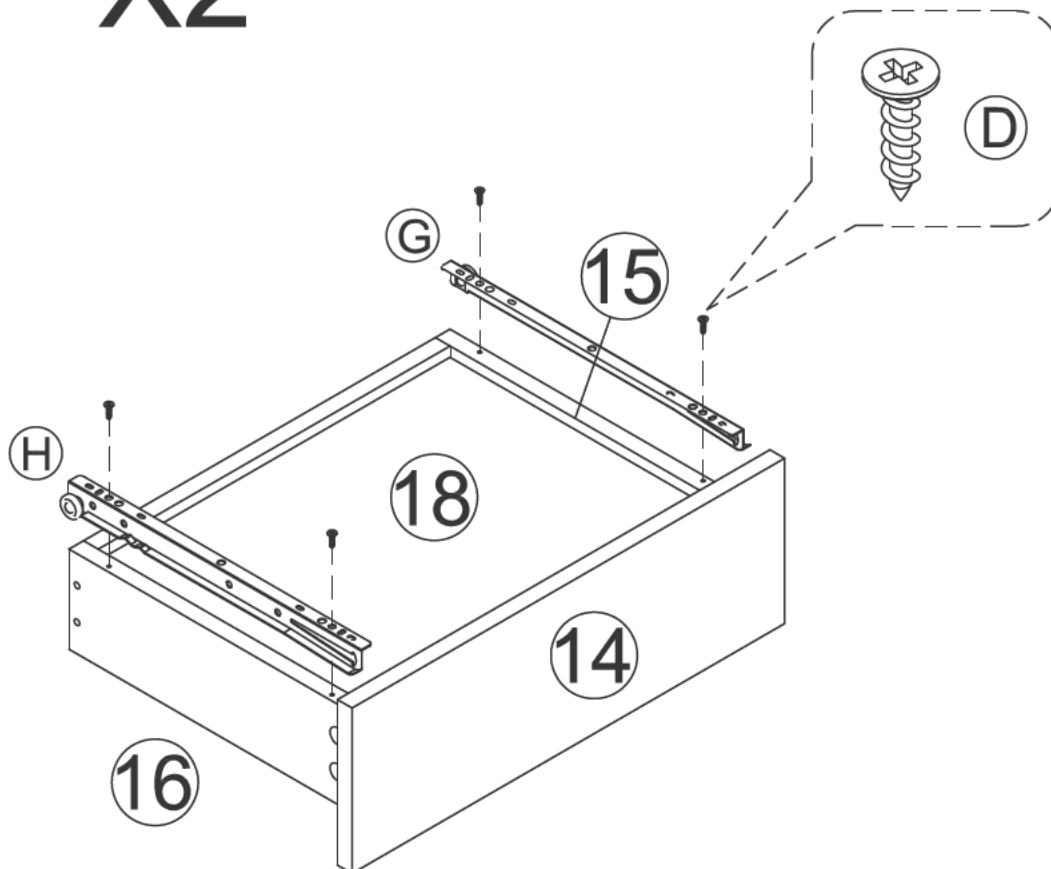


## STEP 16

- Install drawer track (G) & (H) to panel (15) & (16) with screws (D).

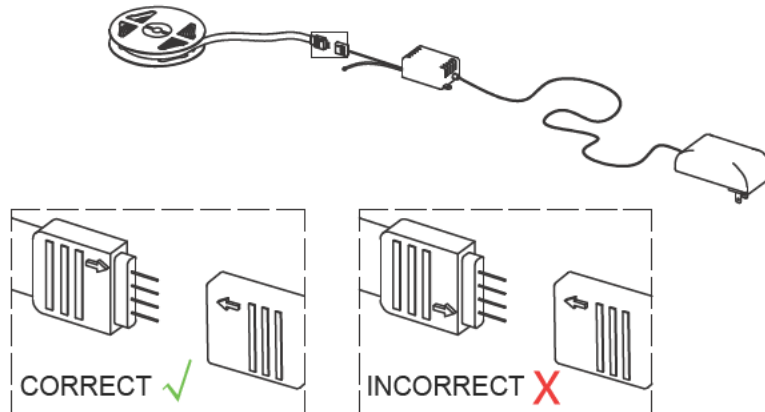


X2

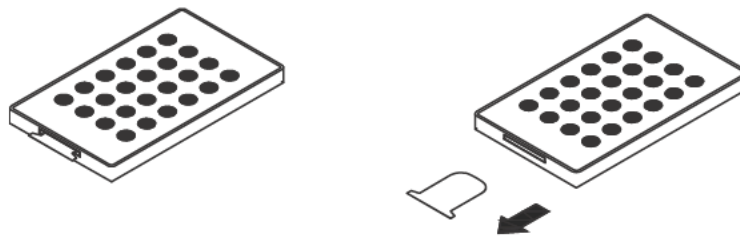


## STEP 17

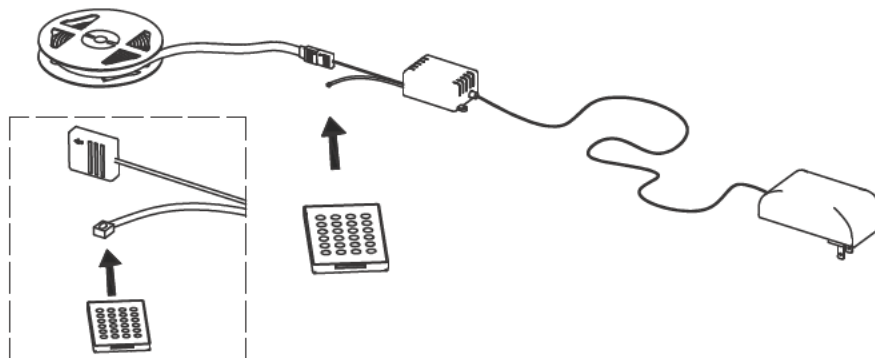
- Connected power adapter to the RGB control box as below.
- Specifications of battery:cr2025 3v
- LED lamp with effective remote control distance of 5 meters



1. Connect the light strip plug to the adapter socket correctly



2. Take out the remote control gasket

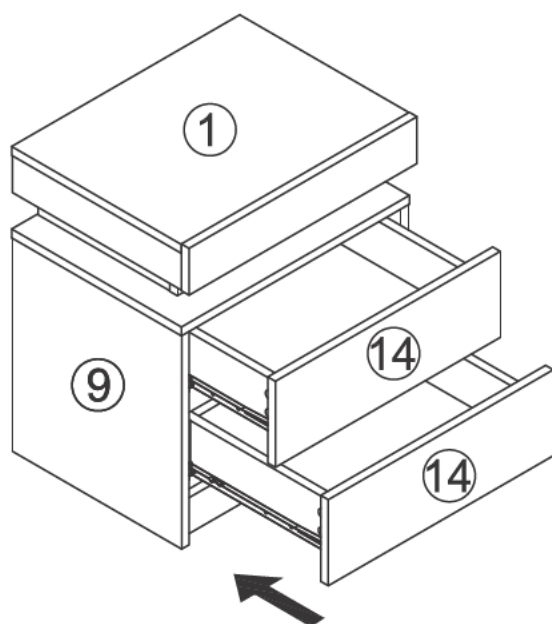


3. Align remote controller to the RGB Control box to adjust the color mode

## STEP 18

- Insert the drawers.

---



## STEP 19

- Installation complete.

---

