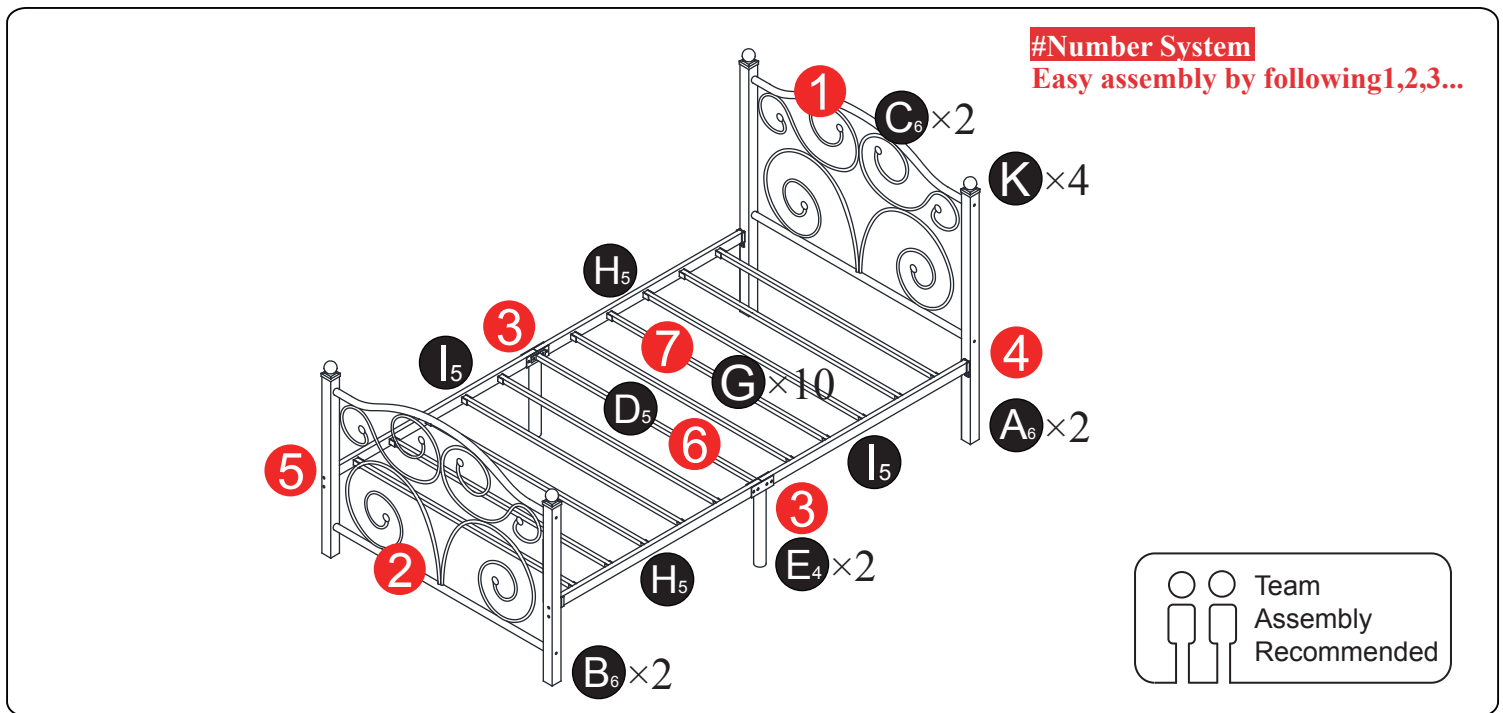


# Bed Frame Installation Manual



Componets	Screws & Tools
..... <b>A<sub>6</sub> × 2</b>	<b>1</b> M8x50mm <b>x8</b>
..... <b>B<sub>6</sub> × 2</b>	<b>2</b> M8x35mm <b>x8</b>
..... <b>C<sub>6</sub> × 2</b>	<b>3</b> M6x60mm <b>x8</b>
..... <b>D<sub>5</sub> × 1</b>	<b>4</b> M6x15mm <b>x4</b>
..... <b>E<sub>4</sub> × 2</b>	<b>5</b> <b>x16</b>
..... <b>G × 10</b>	<b>6</b> M8 <b>x12</b>
..... <b>H<sub>5</sub> × 2</b>	<b>7</b> M5 <b>x1</b>
..... <b>I<sub>5</sub> × 2</b>	<b>8</b> M13/M10 <b>x1</b>
..... <b>K × 4</b>	

Check all the components & screws before assembly.

## 1 Headboard assembly

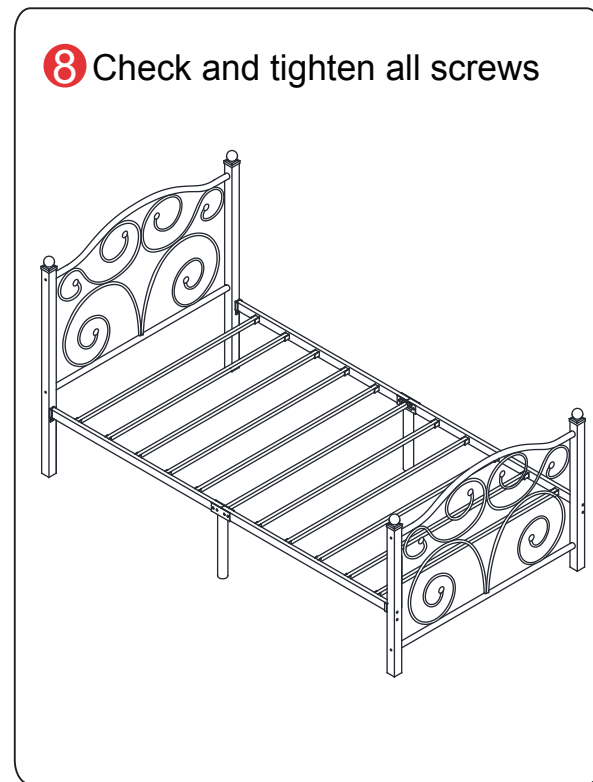
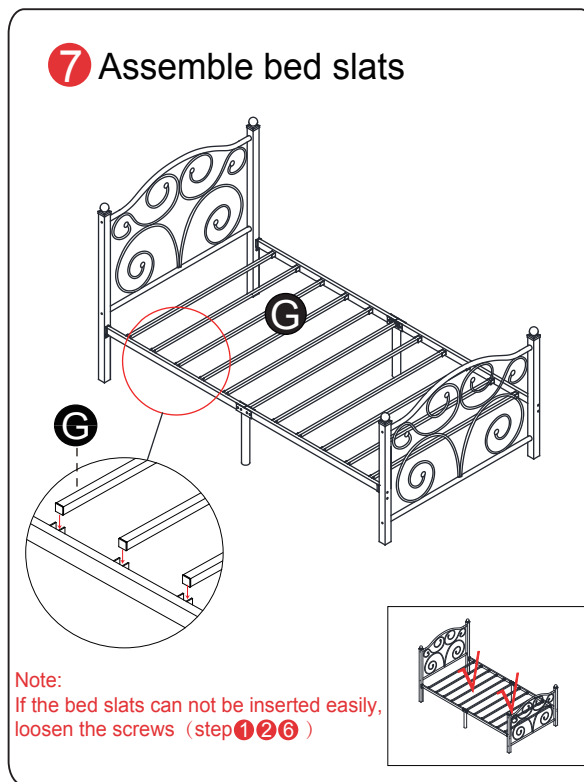
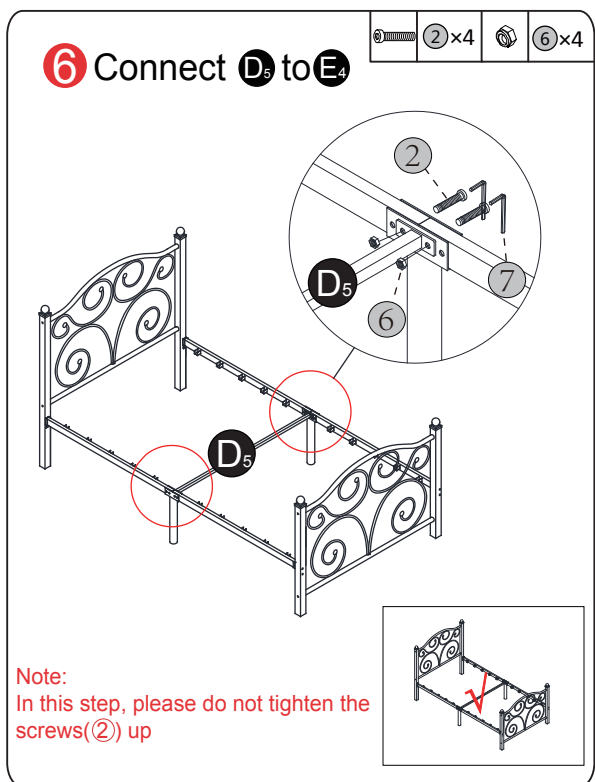
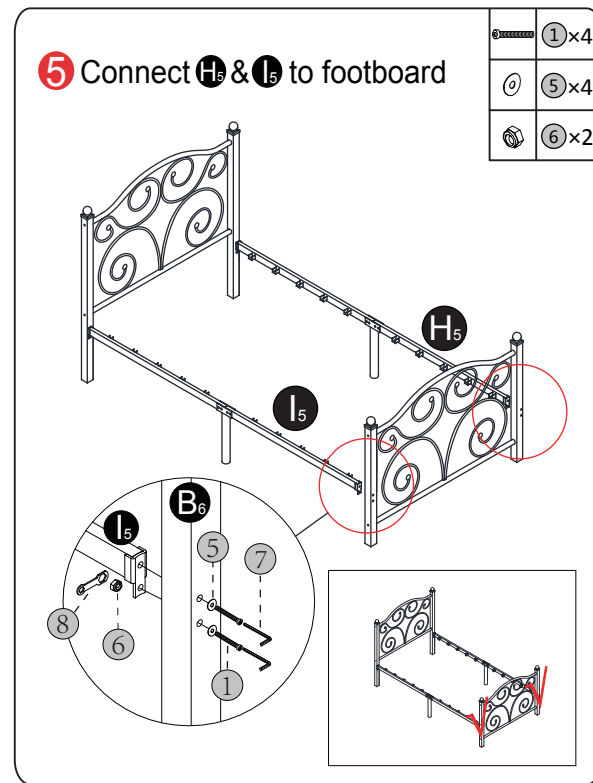
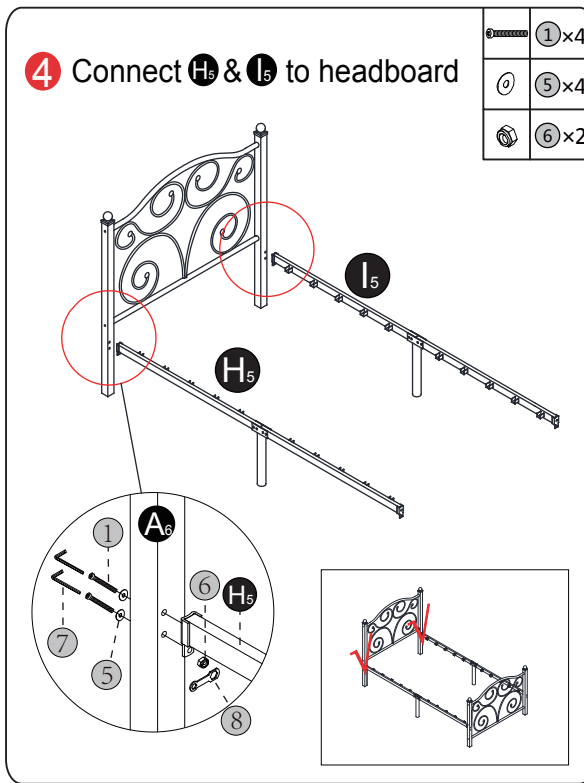
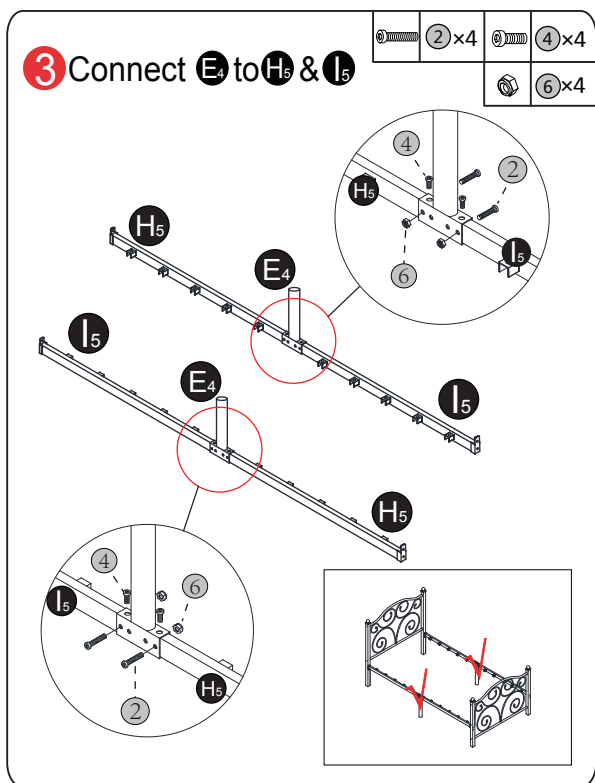
Note: In this step, please do not tighten the screws(3) up

Holes should be outside

## 2 Footboard assembly

Note: In this step, please do not tighten the screws(3) up

Holes should be outside



## CAUTIONS!

