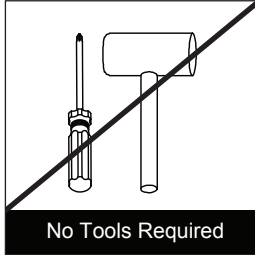
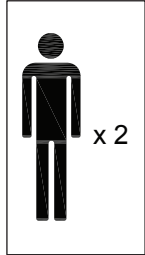
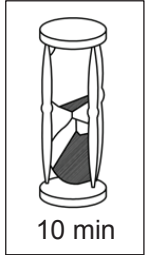


ASSEMBLY INSTRUCTIONS



USEFUL HINTS BEFORE YOU START:

1. Read each step carefully before starting.
2. It is important that each step is performed in correct order to avoid difficulties.
3. Identify, sort and count the parts before assembly.
4. Assemble the product on packaging cardboard to prevent scratch or damage.
5. Using incompatible hardware might cause damage to the product. **DO NOT FULLY-TIGHTEN** the nut until all nuts are ready assembled.

IMPORTANT NOTES:

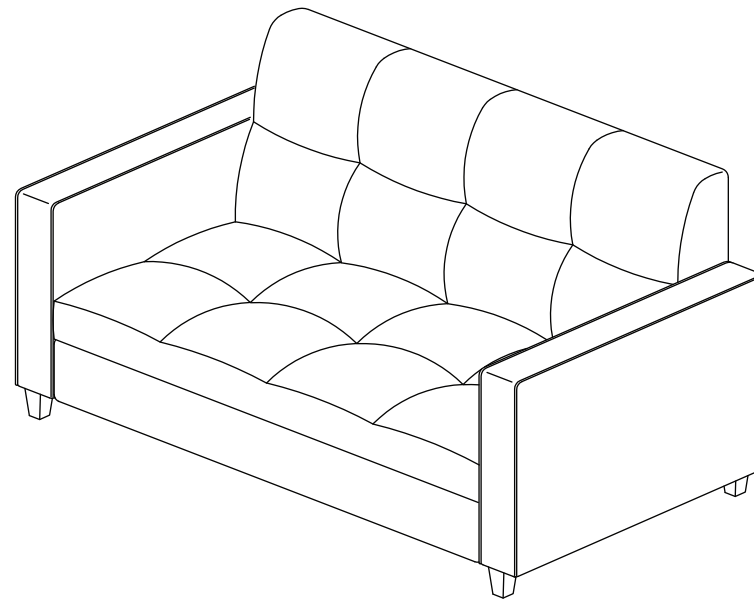
* This unit has been designed to support maximum loads:

Loveseat: 550 lbs

3-Seater Sofa: 700 lbs

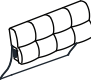
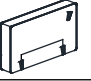
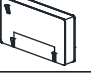


Exceeding these load limits could cause sagging, instability, product collapse, and/or serious injury.

* Keep all hardware parts out of reach of children.

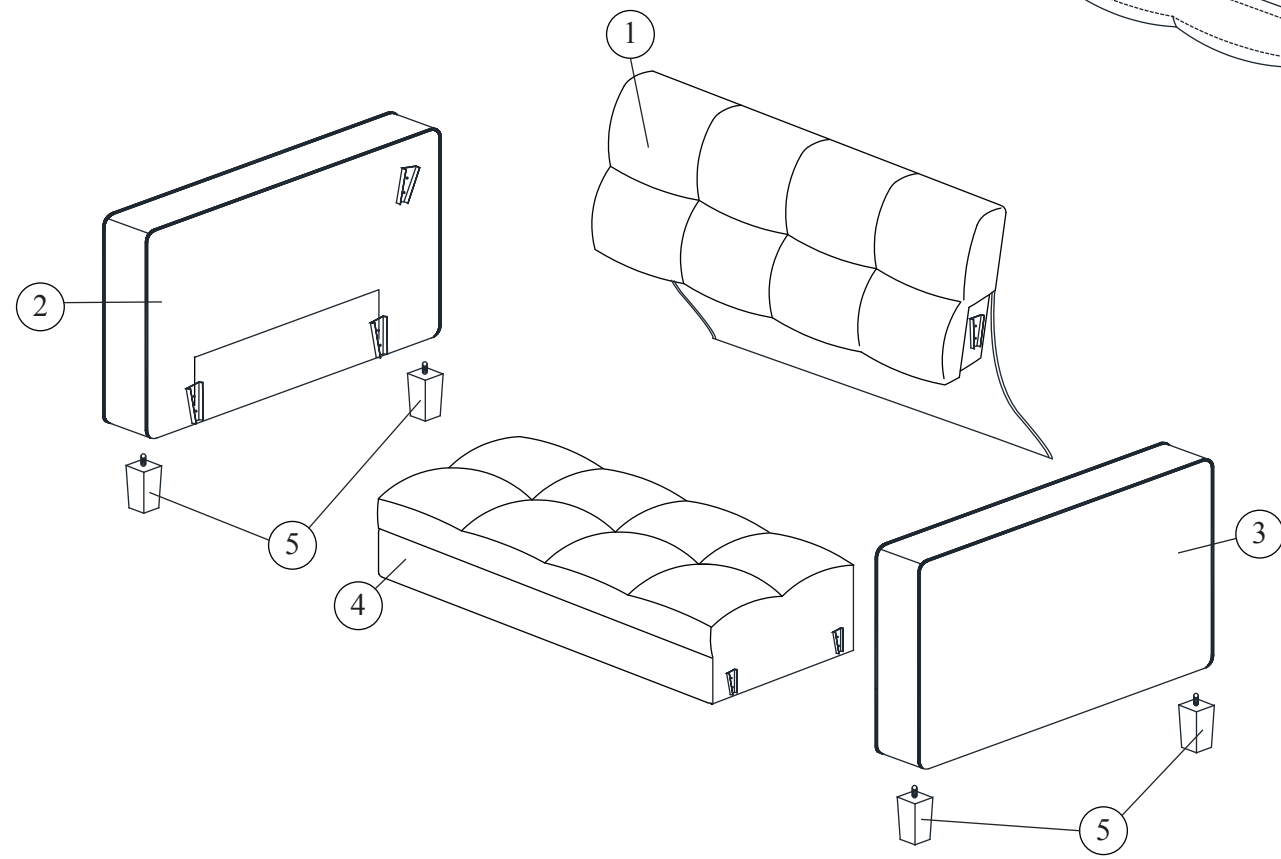
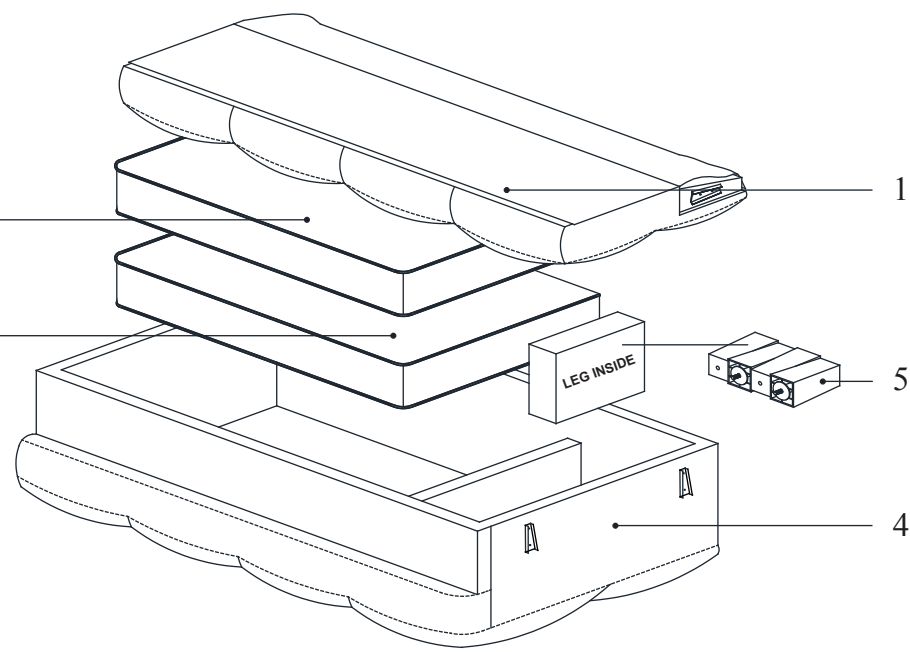


LOVESEAT

ASSEMBLY INSTRUCTION

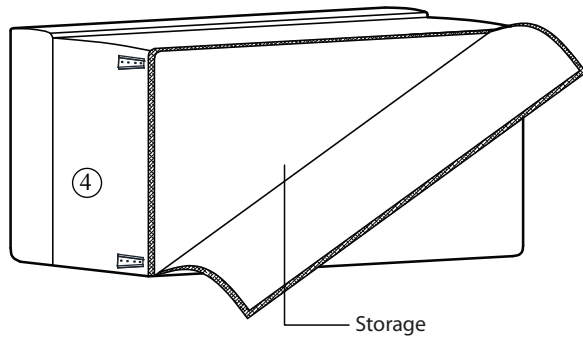
NO	PART LIST	QTY
1	 BACK REST 1PC	1PC
2	 LEFT SIDE PANEL (L) 1PC	1PC
3	 RIGHT SIDE PANEL (R) 1PC	1PC
4	 BOX SEAT 1PC	1PC
5	 LEG 4PCS	4PCS

NOTE:
Some parts packed inside the compartment of the box seat.

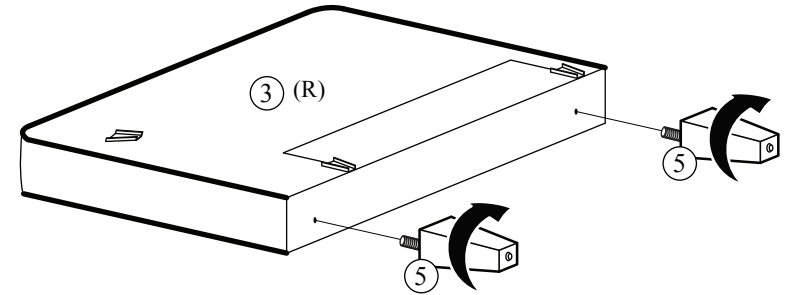


ASSEMBLY INSTRUCTION

STEP 1

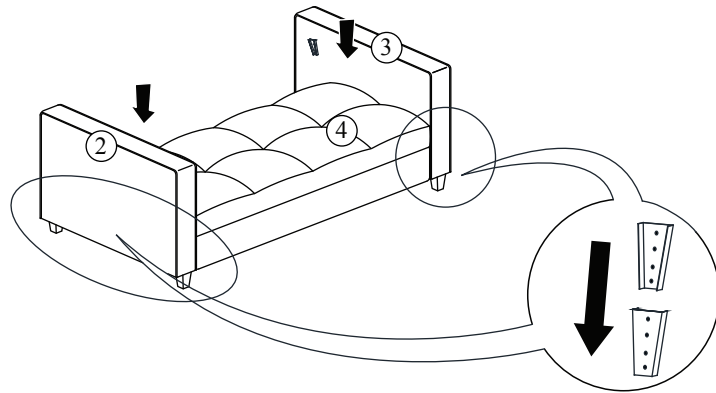


STEP 2

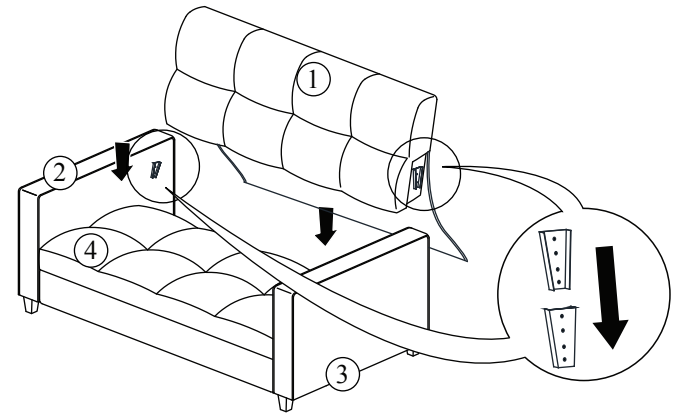


Note: Repeat step for Left Side Panel (L).

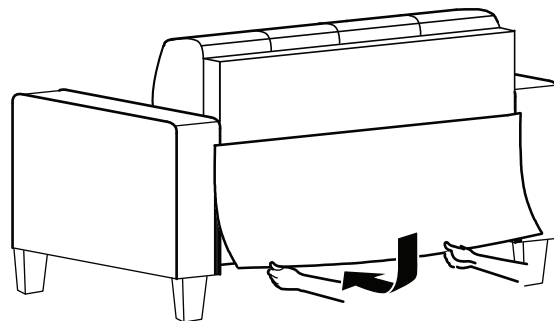
STEP 3



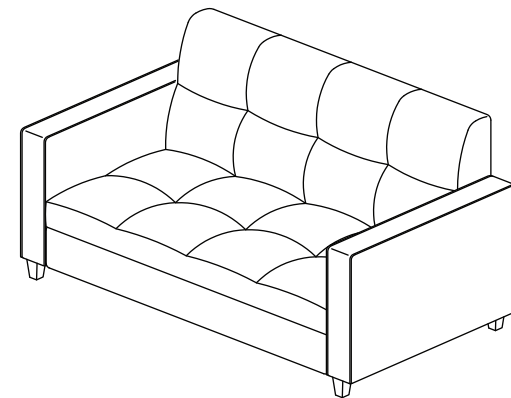
STEP 4



STEP 5



STEP 6



ASSEMBLY
COMPLETED