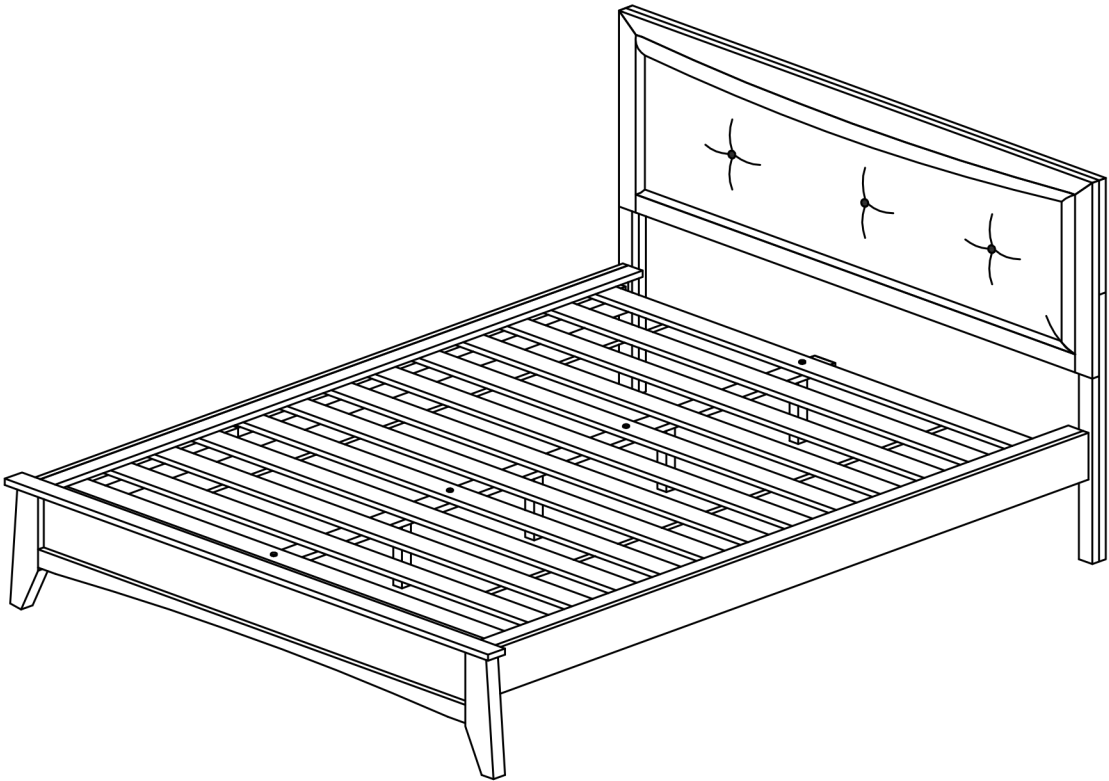


Assembly Instructions



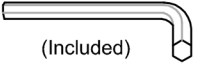
ASSEMBLY RATING

The Assembly Rating is a 5-point system that shows the degree of effort needed in assembling a specific product (with 1 being easy and 5 being difficult). For some products, two persons are recommended.



Tools Required For Assembly:

Allen Wrench



(Included)

Phillips Screwdriver



(Not Included)

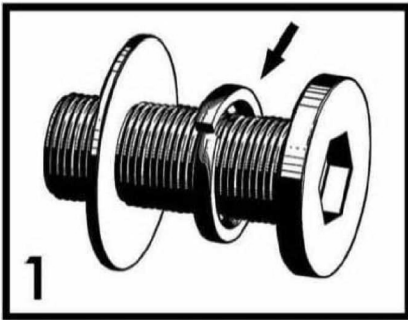


2 PERSONS RECOMMENDED

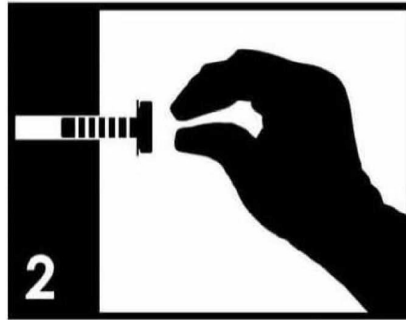
ASSEMBLY & CARE ADVICE

FOR YOUR FURNITURE TO LAST, CORRECT ASSEMBLY AND PROPER MAINTENANCE ARE NECESSARY. PLEASE FOLLOW THE INFORMATION PROVIDED BELOW TO FULLY ENJOY YOUR FURNITURE.

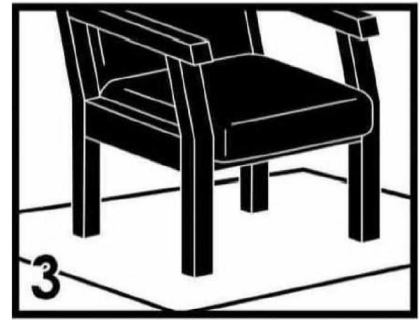
BASIC ASSEMBLY TECHNIQUES



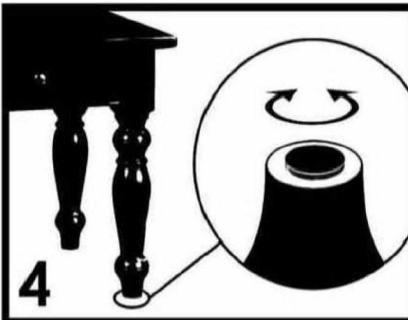
When lock or spring washer is used in an assembly, please make sure the lock or spring washer is placed between the larger flat washer and the head of the screw or bolt.



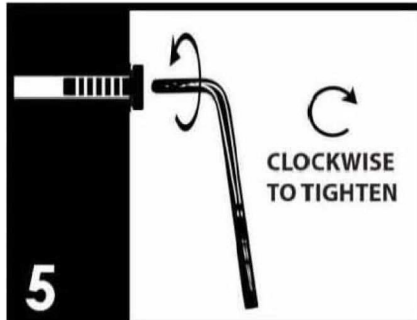
Position each part correctly and insert screws or bolts into their respective holes by hand tighten or using the proper hand tool. Only tighten when step is completed or when instructed to do so.



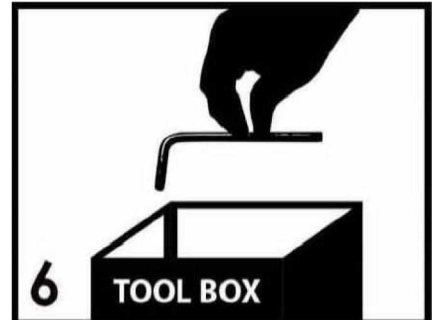
Use cardboard or carpet area when assembling furniture to prevent scratches. Make sure the furniture rests on a flat and level surface with each leg evenly touching the floor.



Some furniture comes with height adjustment knobs underneath each leg. To lower or to raise each leg, you need to turn clockwise or counterclockwise, respectively.



Make sure all parts are properly aligned, then use the appropriate hand tool to completely tighten the bolts or screws. Do not use power tools and do not overtighten.



Save the instructions and store the Allen wrench or any supplied tool for later maintenance. After two weeks, check and tighten any loose hardware and repeat again every six months thereafter.

IT IS THE USER'S RESPONSIBILITY TO MAINTAIN THE FURNITURE. THE HARDWARE MAY LOOSEN OVER TIME AND MAY CAUSE THE FURNITURE TO BE WOBBLY AND UNABLE TO SUPPORT ITS INTENDED WEIGHT CAPACITY. THIS MAY LEAD TO COLLAPSE AND MAY CAUSE SERIOUS INJURY.



FAILURE TO FOLLOW THE GUIDELINES ABOVE MAY RESULT IN INJURY AND/OR PROPERTY DAMAGE.

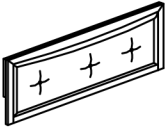
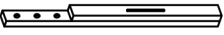

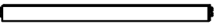

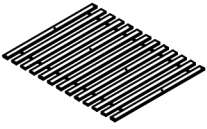
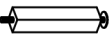











Before you begin, please read Page 2 of "Assembly and Care Advice".

And remember, do not tighten until each step is completed or instructed.

Parts List

Hardware List

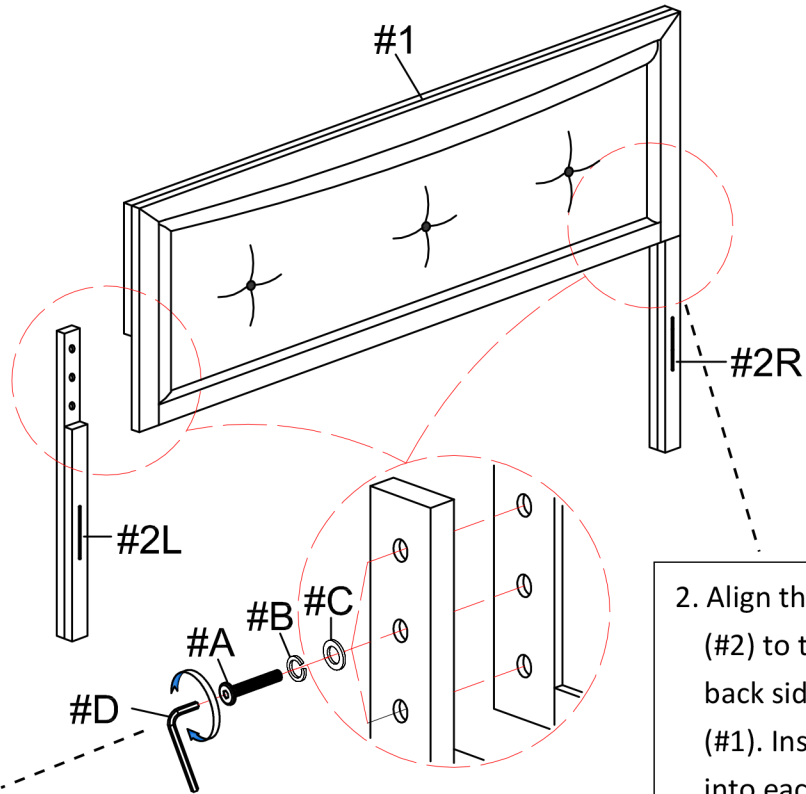
	#1 x 1pc Headboard
	#2 x 2pcs Headboard Leg L / R
	#3 x 1pc Footboard
	#4 x 2pcs Side Rail
	#5 x 1pc Center Rail
	#6 x 1Set Slat Kit (13pcs)
	#7 x 4pcs Support Leg
	#8 x 2pcs Side Rail Top Panel

	#A x 6pcs Bolt 5/16"x 1-3/8"
	#B x 6pcs Lock Washer 5/16"
	#C x 6pcs Flat Washer 5/16"
	#D x 1pc Allen Wrench
	#E x 12pcs Screw
	#F x 10pcs Bolt 1/4"x 1-3/8"
	#G x 10pcs Lock Washer 1/4"
	#H x 10pcs Flat Washer 1/4"



#1

#A x 6pcs
#B x 6pcs
#C x 6pcs



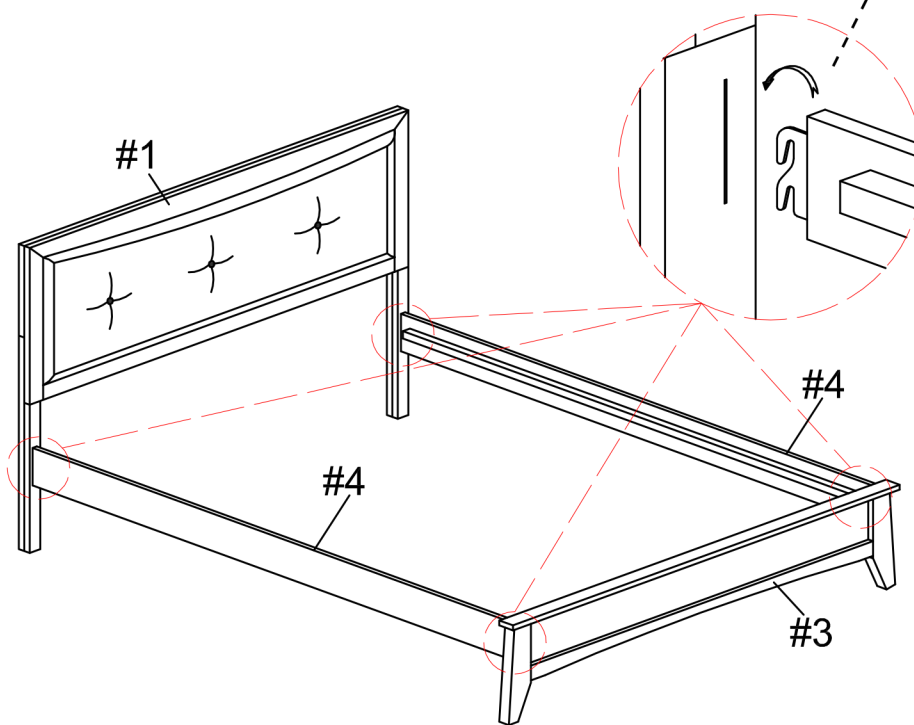
1. Prepare 6 bolt assemblies by first inserting a lock washer (#B) onto the bolt (#A) then a flat washer (#C) onto that same bolt (#A).

2. Align the headboard legs L/R (#2) to the holes along the back sides of the headboard (#1). Insert 3 bolt assemblies into each and secure using the Allen wrench (#D).



#2

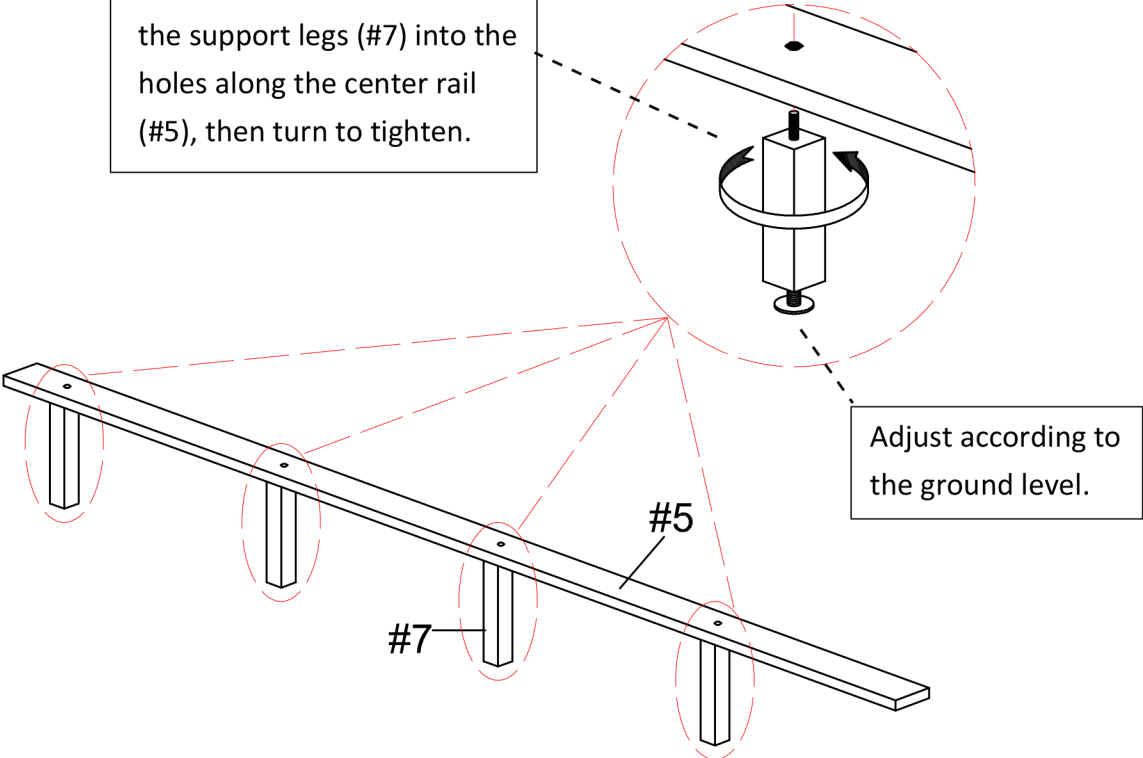
Hook the ends of the side rails (#4) onto the slots along the headboard (#1) and footboard (#3).





#3

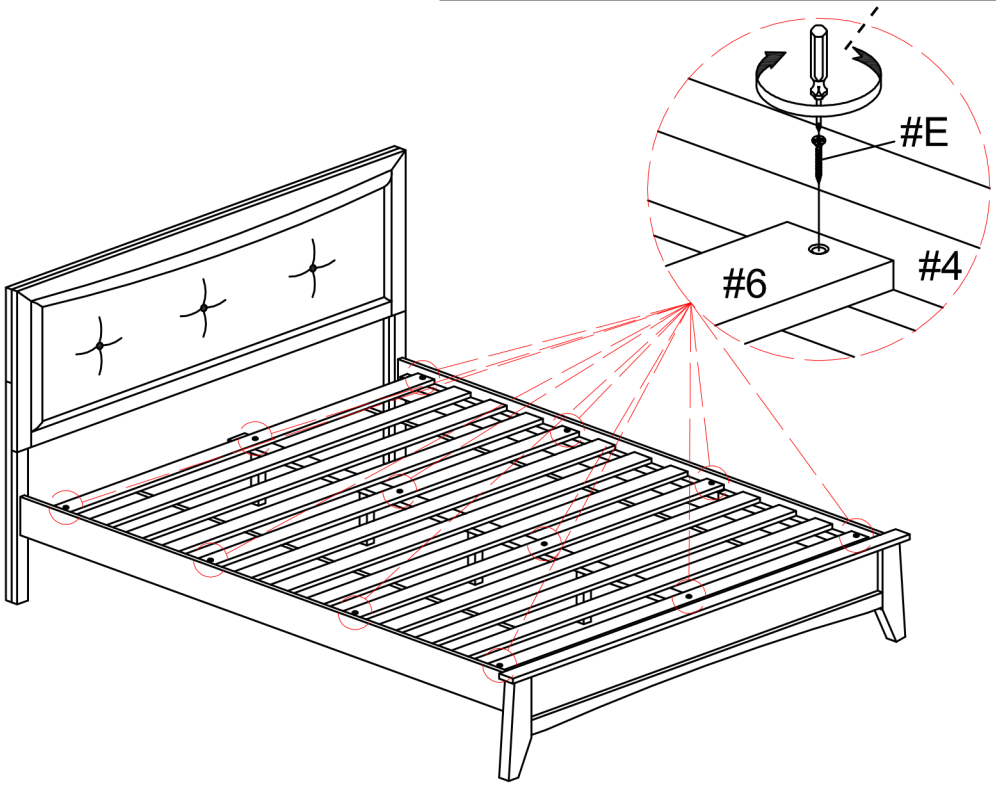
Insert the threaded ends of the support legs (#7) into the holes along the center rail (#5), then turn to tighten.



#4

#E x 12pcs

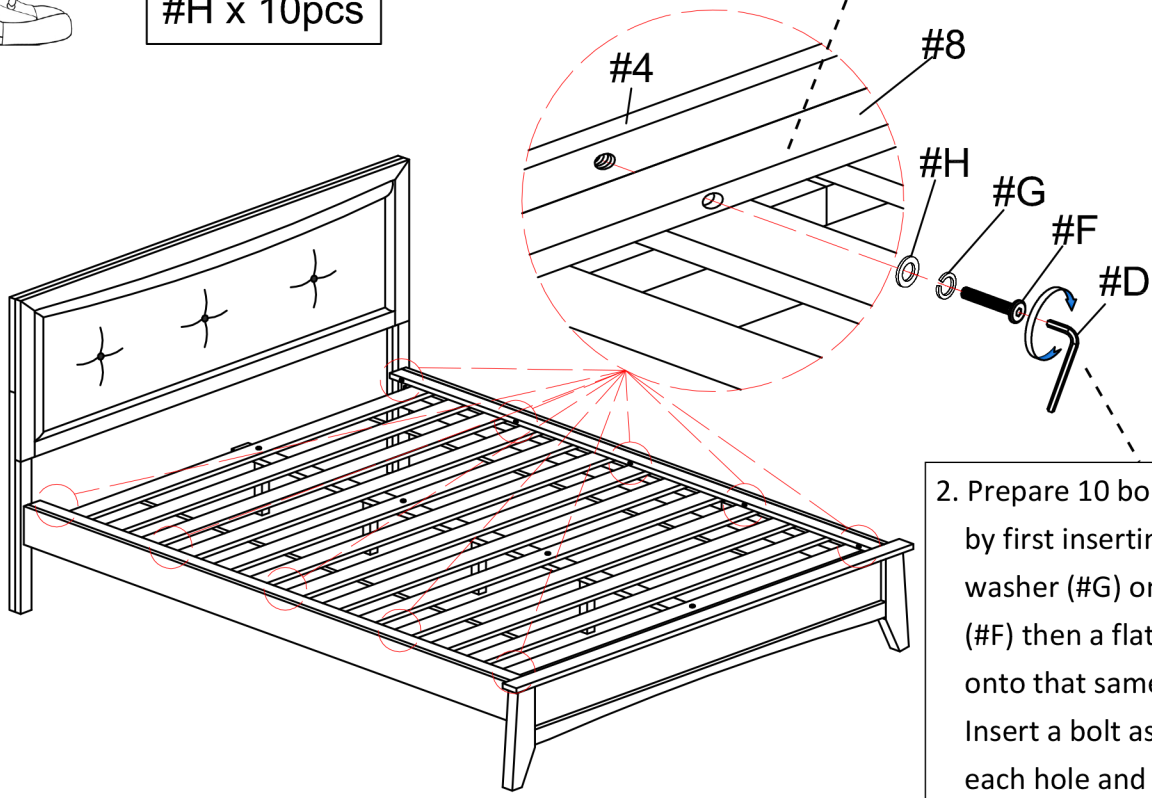
Place the slat kit (#6) onto the side rails (#4), then insert a screw (#E) into each end. Secure using a screwdriver.



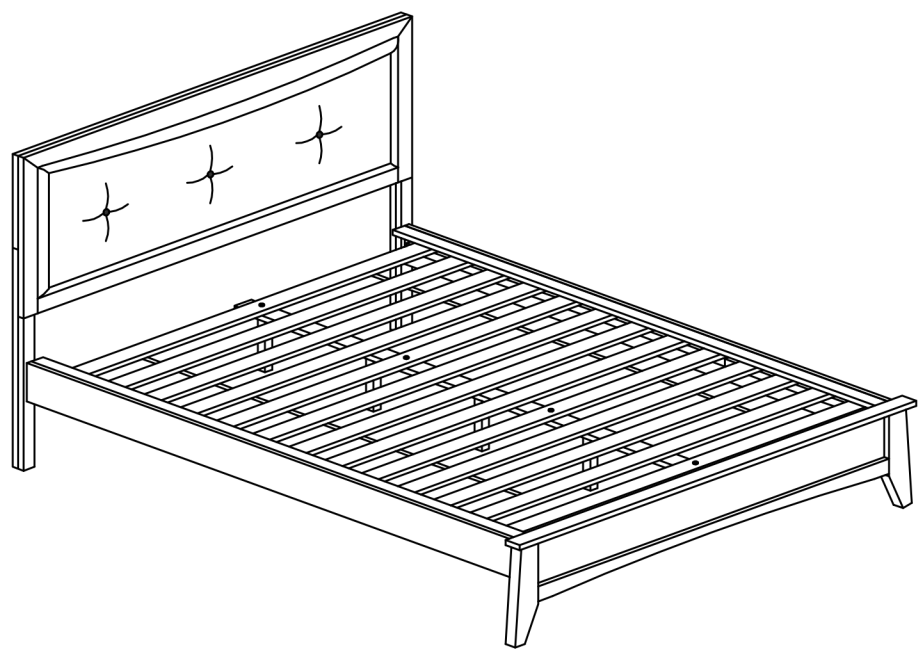


#F x 10pcs
#G x 10pcs
#H x 10pcs

1. Place a side rail top panel (#8) onto the slats and align to the side rails.



2. Prepare 10 bolt assemblies by first inserting a lock washer (#G) onto the bolt (#F) then a flat washer (#H) onto that same bolt (#F). Insert a bolt assembly into each hole and secure.



ASSEMBLY IS COMPLETED