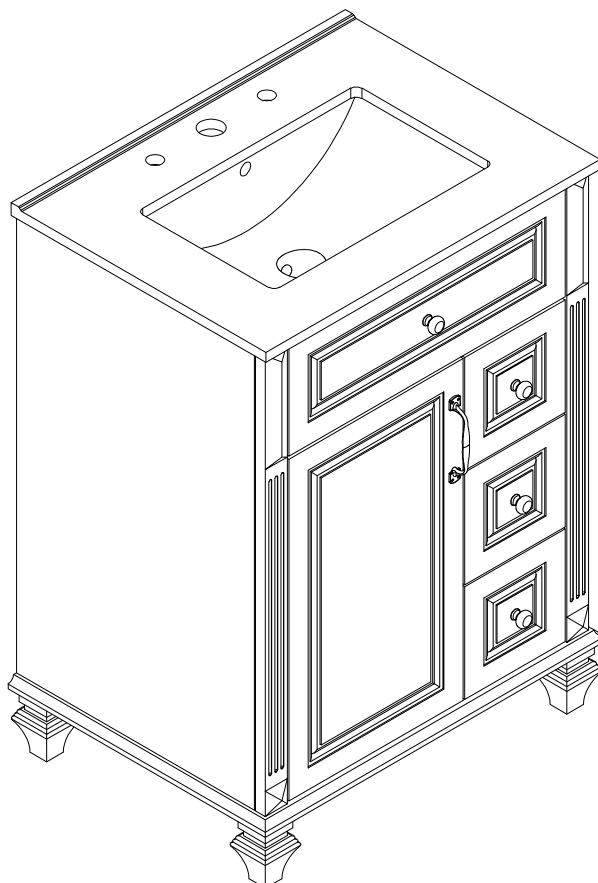


ASSEMBLY INSTRUCTIONS

BATH VANITY-CABINET

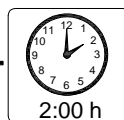
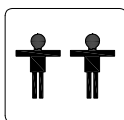
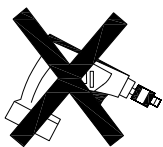


Thank you for purchasing this quality product. Be sure to check all packing material carefully for small parts which may have come loose inside the carton during shipment. Separate, identify and count all parts and hardware.

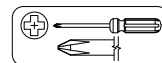
Compare with the parts list to be sure all parts are present.

DO NOT TIGHTEN SCREWS UNTIL COMPLETELY ASSEMBLED

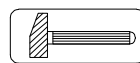
***Use of power tool to assemble this product will invalidate any claim and damage this product making unsafe!!!**
*** Please assemble on a clean soft surface to avoid damage.**



Tools Required



(Not included)

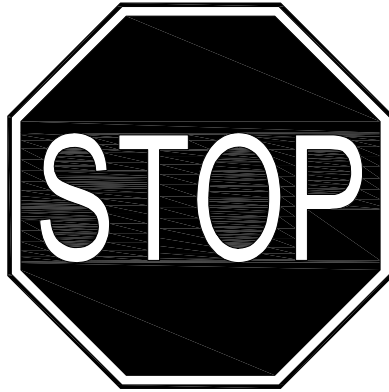


(Not included)

IMPORTANT:

PLEASE READ INSTRUCTION BEFORE STARTING THE ASSEMBLY

PLEASE DO NOT RETURN TO STORE



**Please do not return this product to the retailer!!
We are able to assist you in ANY way**

If you find that you have any trouble with assembly or missing or damaged parts please contact the seller.

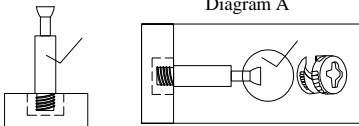
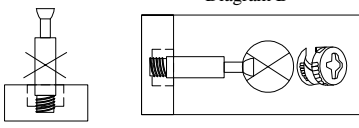
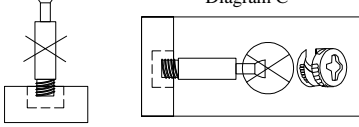
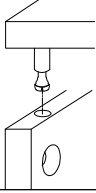
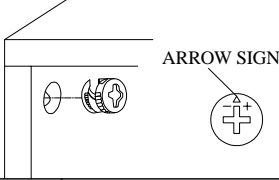
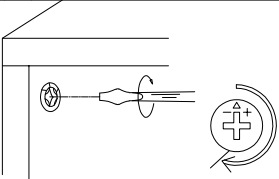
Before Installation

Important-Please read these instructions fully before starting assembly

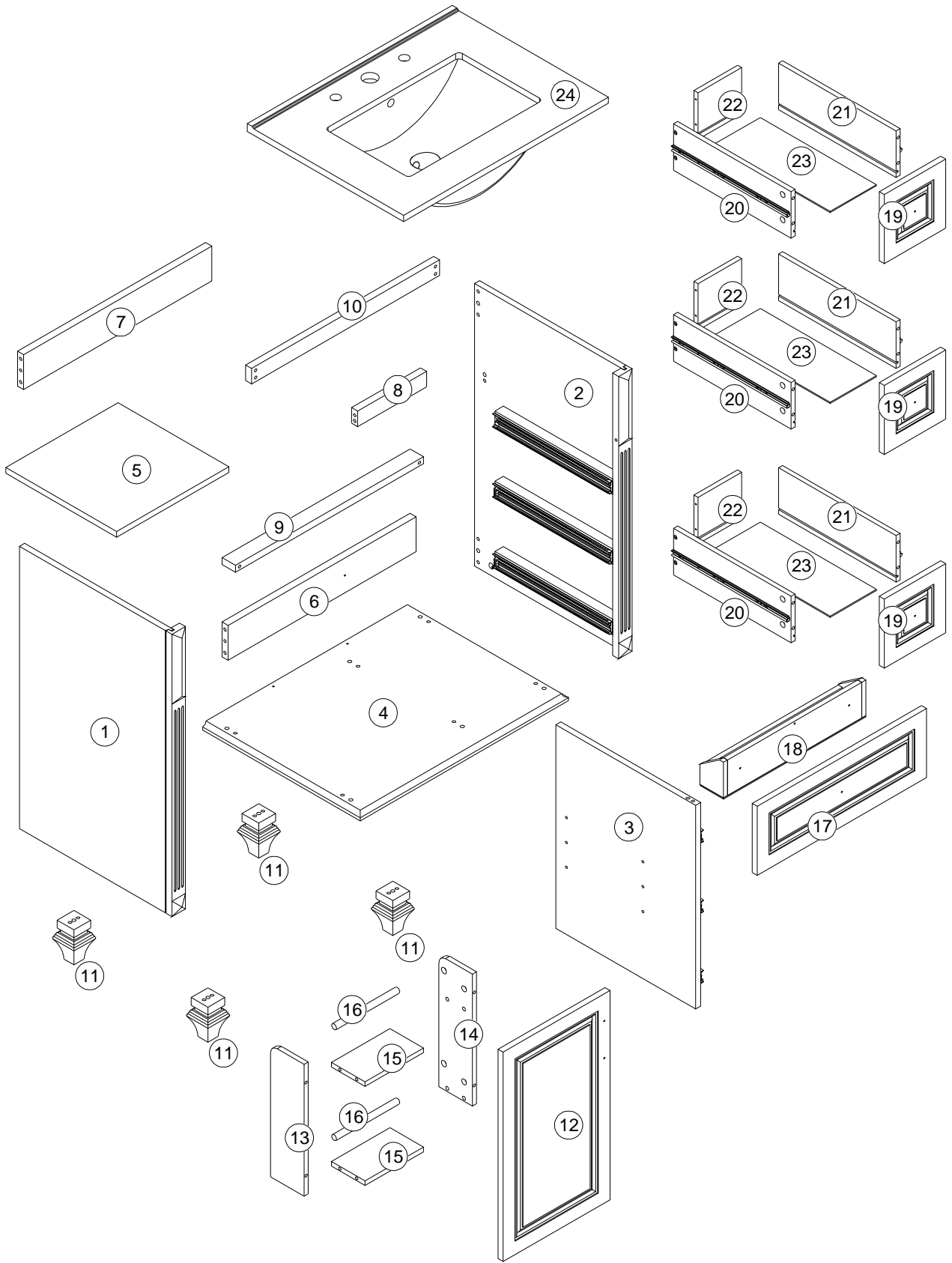
Thank you for purchasing this quality product. Be sure to check all packing materials carefully for small parts, which may have come loose inside the carton during shipment. Identify and count all items according to the PARTS LIST and/or HARDWARE LIST shown below. Check you have all the components and tools listed on the following pages.

- We recommend that you assemble this product with the assistance of another person; this will make the assembly easier, and will help eliminate damage to the product or injury to persons during assembly.
- Please do not over tighten screws or bolts until the assembly is completed.
- Keep children and animal away from the work area, small parts could choke if swallowed.
- Please put all parts on a non-abrasive floor before assembly, and follow the assembly steps to assemble your newly purchased product correctly and efficiently.


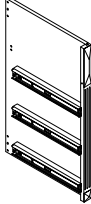
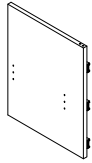
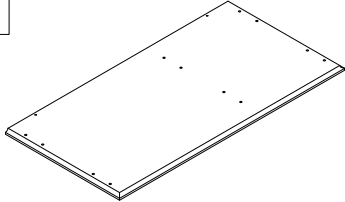
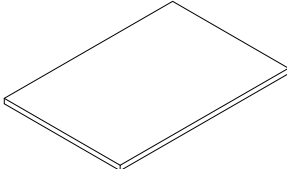
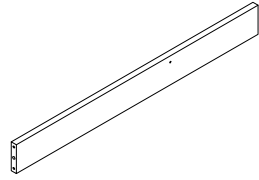
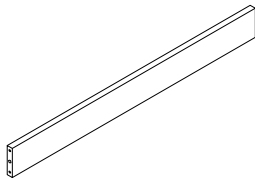
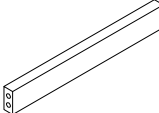
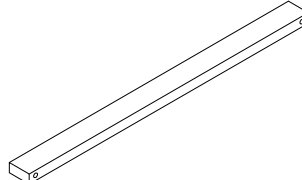
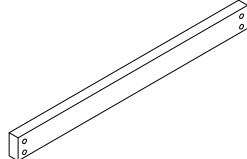
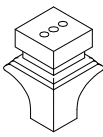
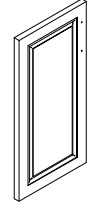


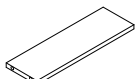

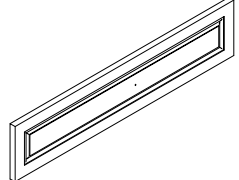
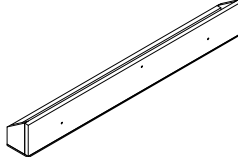
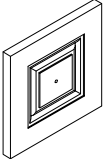
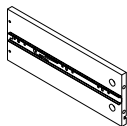
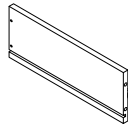
Cam Lock Assembly Instructions

	<p>Diagram A</p> <p>Insert Cam Ball into hole as shown in diagram A.</p>
	<p>Diagram B</p> <p>Make sure not to insert the Cam Bolt: Too deep as shown in figure B as this will cause the cam Lock to be misaligned and unable to interlock properly.</p>
	<p>Diagram C</p> <p>Also avoid inserting the Cam Bolt too close to the surface of the hole as shown in figure C, as this will cause the Cam Lock to be too loose, and not interlock properly.</p>
	<p>Connect the panels together.</p>
	<p>ARROW SIGN</p> <p>Insert the Cam Lock so the side opening fits over the head of the Cam Bolt.</p>
	<p>To tighten the Cam Lock, turn it clockwise on half a turn with a flat screwdriver. <i>*Do not use an automatic screwdriver as it may bend or break if too much power is imposed.</i></p>

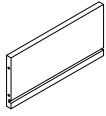
Detail View



Identifying the Hardware-Identify the hardware using the illustrations below.

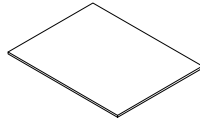
<p>1</p>  <p>Side Frame (L) - 1pc</p>	<p>2</p>  <p>Side Frame (R) - 1pc</p>	<p>3</p>  <p>Vertical Panel - 1pc</p>
<p>4</p>  <p>Bottom Panel - 1pc</p>	<p>5</p>  <p>Adjustable Shelf - 1pc</p>	<p>6</p>  <p>Bottom Rear Crossbar - 1pc</p>
<p>7</p>  <p>Top Rear Crossbar - 1pc</p>	<p>8</p>  <p>Side Rear Crossbar - 1pc</p>	<p>9</p>  <p>Middle Crossbar - 1pc</p>
<p>10</p>  <p>Top Front Crossbar - 1pc</p>	<p>11</p>  <p>Legs - 4pcs</p>	<p>12</p>  <p>Door Cabinet - 1pc</p>
<p>13</p>  <p>Door Side Panel (L) - 1pc</p>	<p>14</p>  <p>Door Side Panel (R) - 1pc</p>	<p>15</p>  <p>Door Mid Panel - 2pcs</p>
<p>16</p>  <p>Round Bar - 2pcs</p>	<p>17</p>  <p>Flip Drawer Face - 1pc</p>	<p>18</p>  <p>Tilt storage - 1pc</p>
<p>19</p>  <p>Drawer Face - 3pcs</p>	<p>20</p>  <p>Drawer Side Panel (R) - 3pcs</p>	<p>21</p>  <p>Drawer Side Panel (L) - 3pcs</p>

22



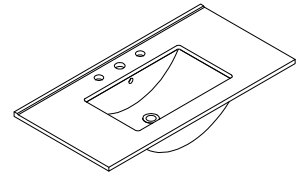
Drawer Back Panel - 3pcs

23





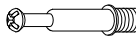

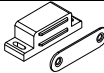
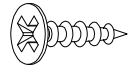

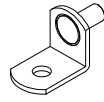



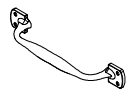

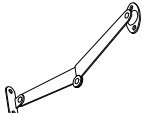
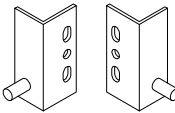

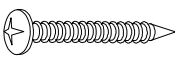
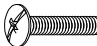
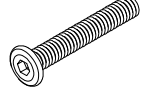
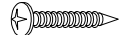
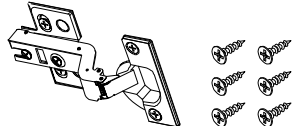

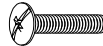
Drawer Bottom Panel - 3pcs

24

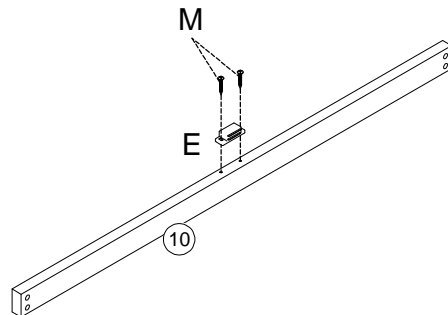
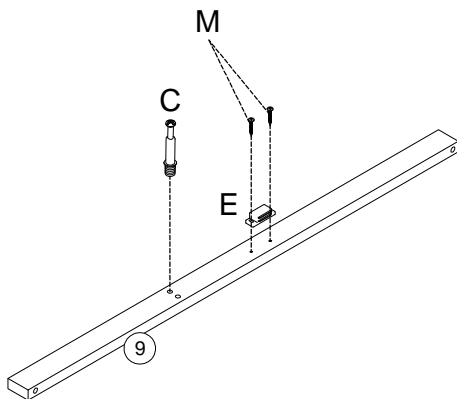
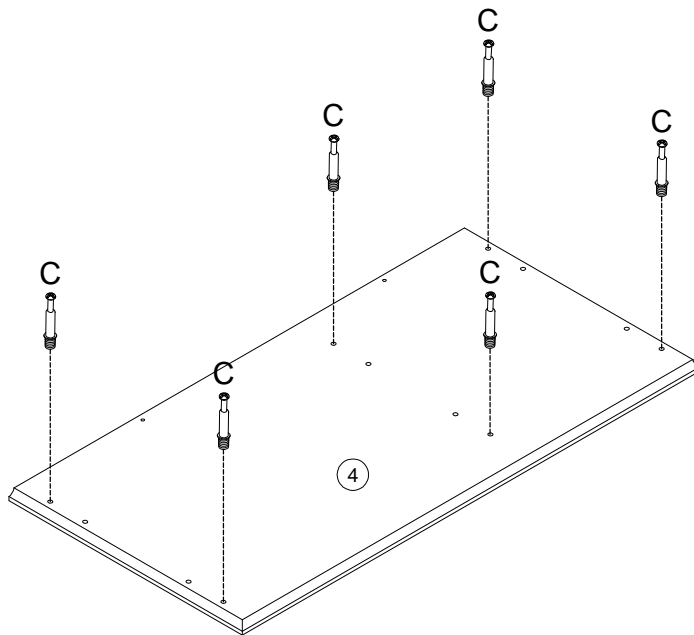
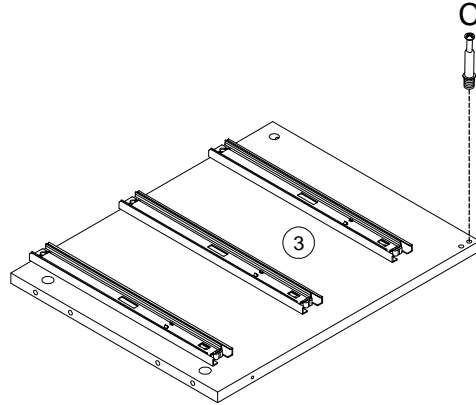
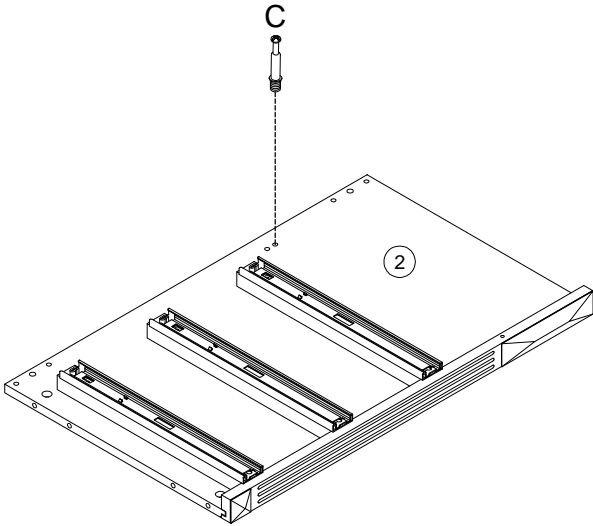



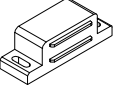

Sink - 1pc

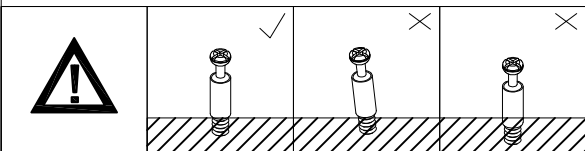
Hardware Lists

<p>A</p>  <p>M6x30mm</p>	<p>B</p>  <p>Ø1/4 "x13x1mm</p>	<p>C</p>  <p>Ø6*32mm</p>
<p>Hex-Head bolt (8pcs)+1pc</p>	<p>Washer (4pcs)+1pc</p>	<p>Three in on bolts (33pcs)+1pc</p>
<p>D</p>  <p>Ø14.5*9.5mm</p>	<p>E</p>  <p>45*12*1mm 45*17*14mm</p>	<p>F</p>  <p>Ø3.5x12mm</p>
<p>Three in one locks (33pcs)+1pc</p>	<p>Plastic Door Magnet (2 sets)</p>	<p>Flat head screw (16pcs)+1pc</p>
<p>G</p>  <p>Ø8x30mm</p>	<p>H</p> 	<p>I</p>  <p>K4mm</p>
<p>Wood dowel (27pcs)+1pc</p>	<p>Pin shelf (4pcs)+1pc</p>	<p>Allen key (2pcs)</p>
<p>J</p>  <p>Ø3.5x25mm</p>	<p>K</p> 	<p>L</p> 
<p>Flat head screw (3pcs)+1pc</p>	<p>Knob (4pcs)</p>	<p>Handle (1pc)</p>
<p>M</p>  <p>Ø3.5x15mm</p>	<p>N</p> 	<p>O</p> 
<p>Round head screw (4pcs)+1pc</p>	<p>Left elbow hinge (1pc)</p>	<p>Rotary Hinge(1set)</p>
<p>P</p>  <p>Ø10x10mm</p>	<p>Q</p>  <p>M4x35mm</p>	<p>R</p>  <p>M4x20mm</p>
<p>Plastic Canopy (12pcs)+1pc</p>	<p>Round head screw (12psc)+1pc</p>	<p>Handle screw (5pcs)+1pc</p>
<p>S</p>  <p>Ø13xM6*60mm</p>	<p>T</p>  <p>Ø4x20mm</p>	<p>U</p> 
<p>Hex-Head bolts (4pcs)+1pc</p>	<p>Round head screw (2pcs)+1pc</p>	<p>Insert hinge (2 sets)</p>
<p>V</p> 	<p>W</p>  <p>M4x30mm</p>	
<p>Anti fall Hardware (2 sets)</p>	<p>Handle screw (1pc)+1pc</p>	

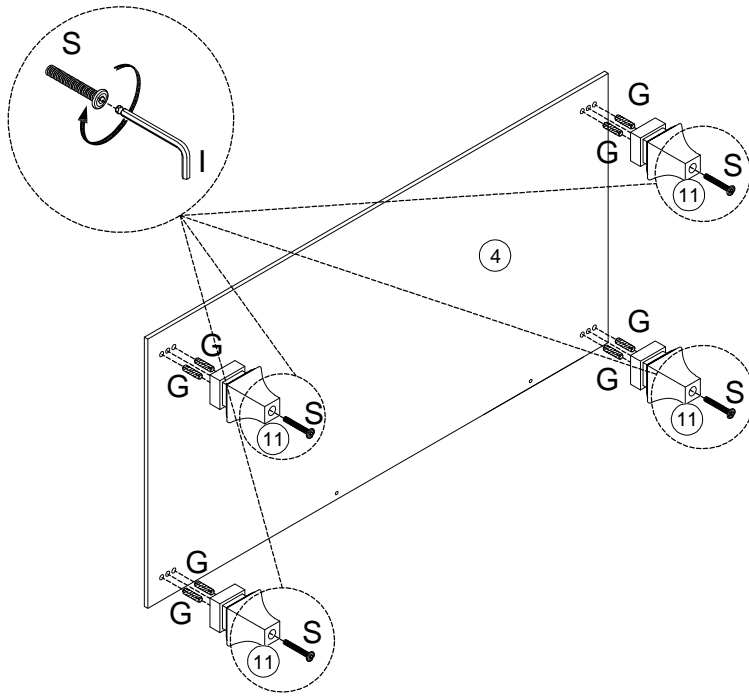
STEP:1



- C**

9pcs
- E**

2pcs
- M**

4pcs



STEP:2



G



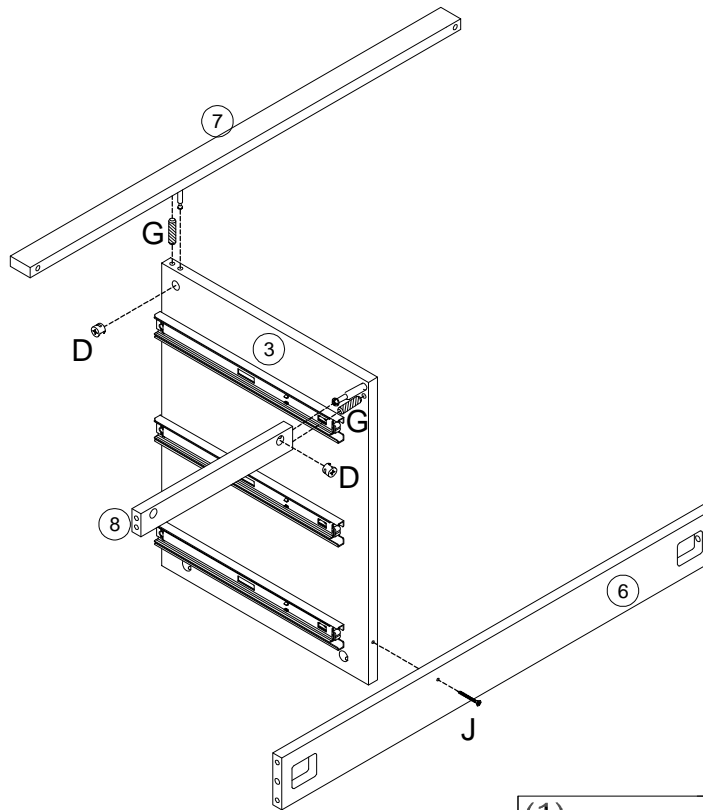
8pcs

S



4pcs

STEP:3



D



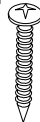
2pcs

G

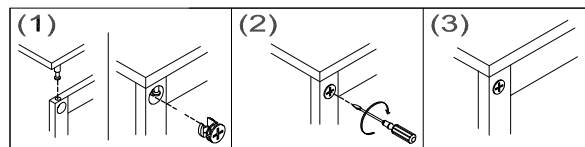


2pcs

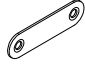
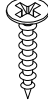

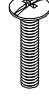
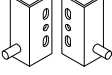

J

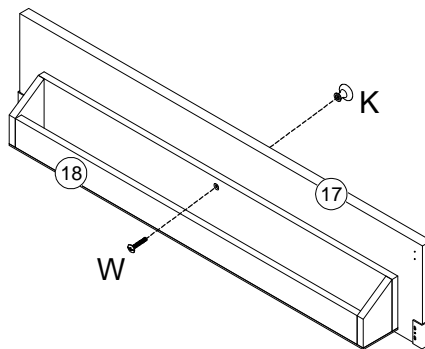
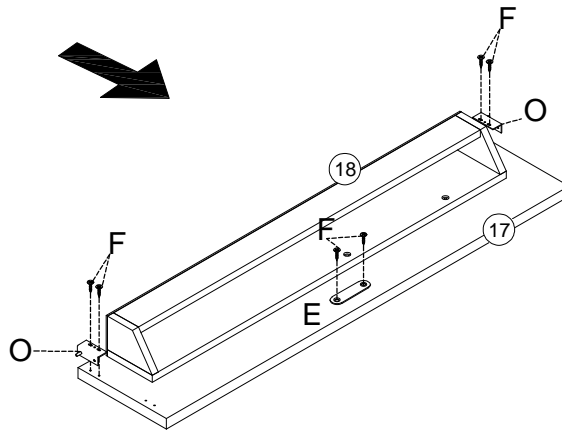
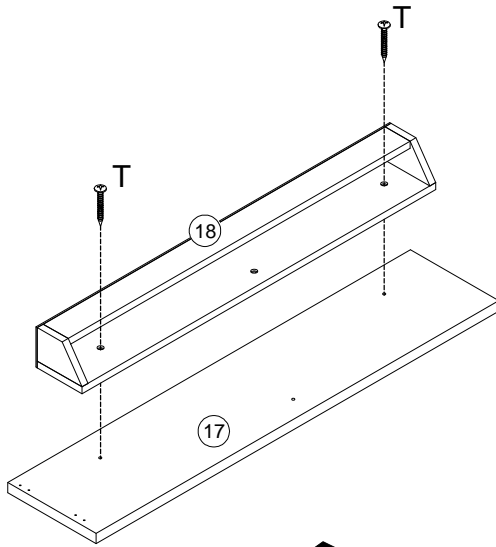


1pc

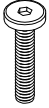





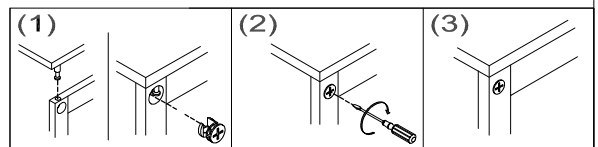
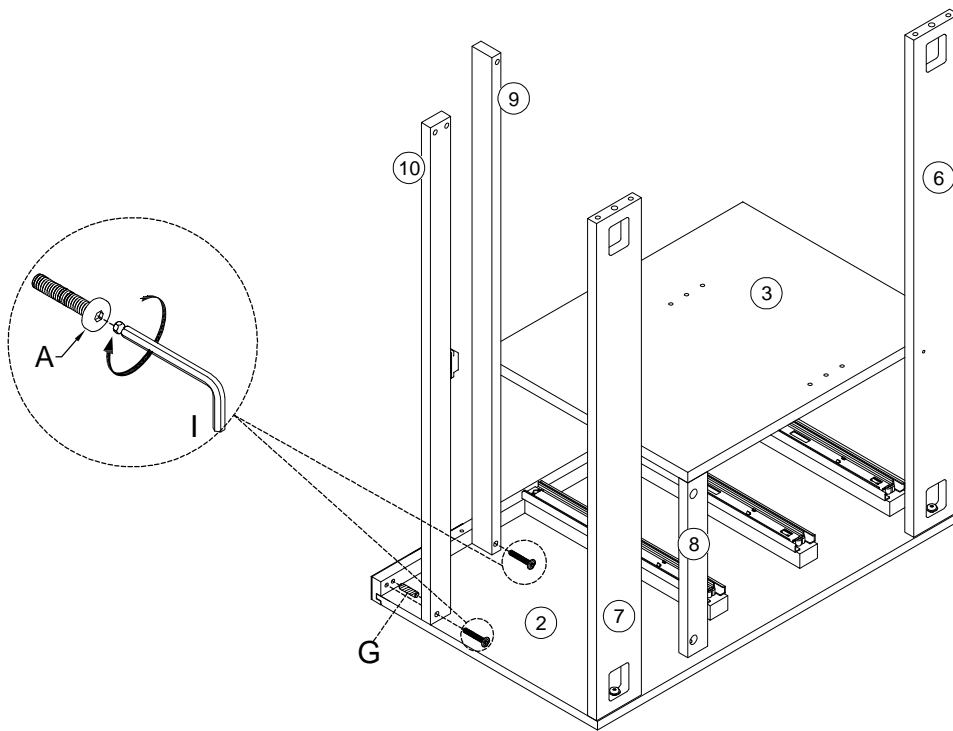
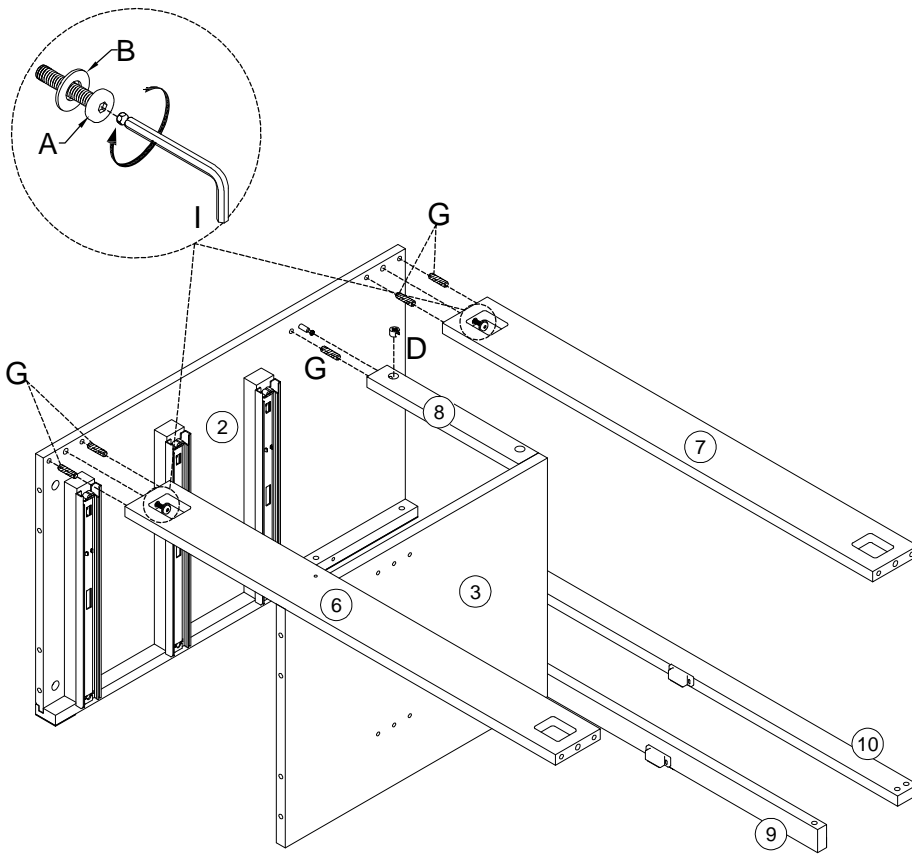
STEP:4

E	F	K
		
1pc	6pcs	1pc
W	O	T
		
1pc	1set	2pcs


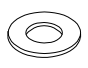



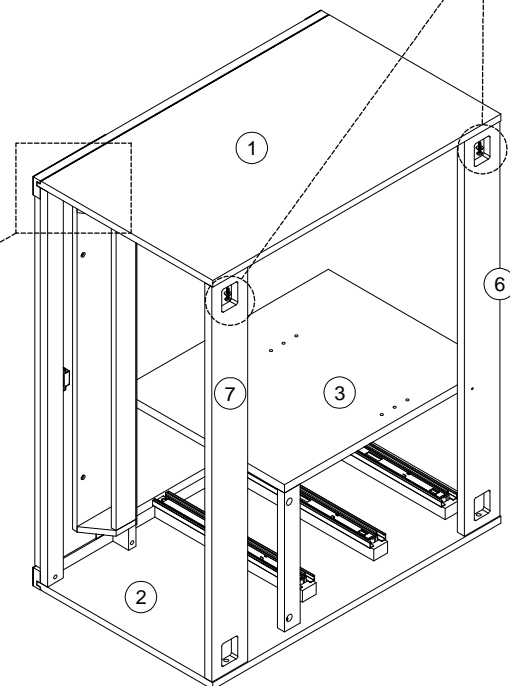
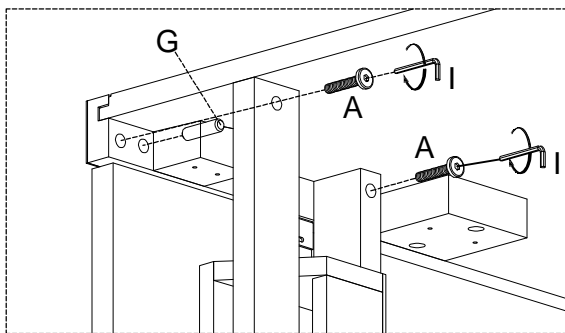
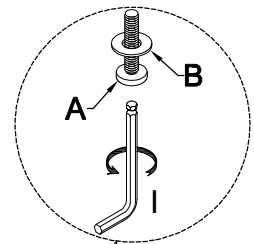
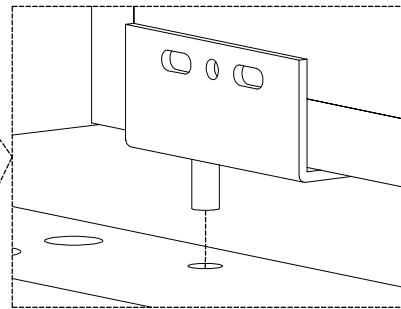
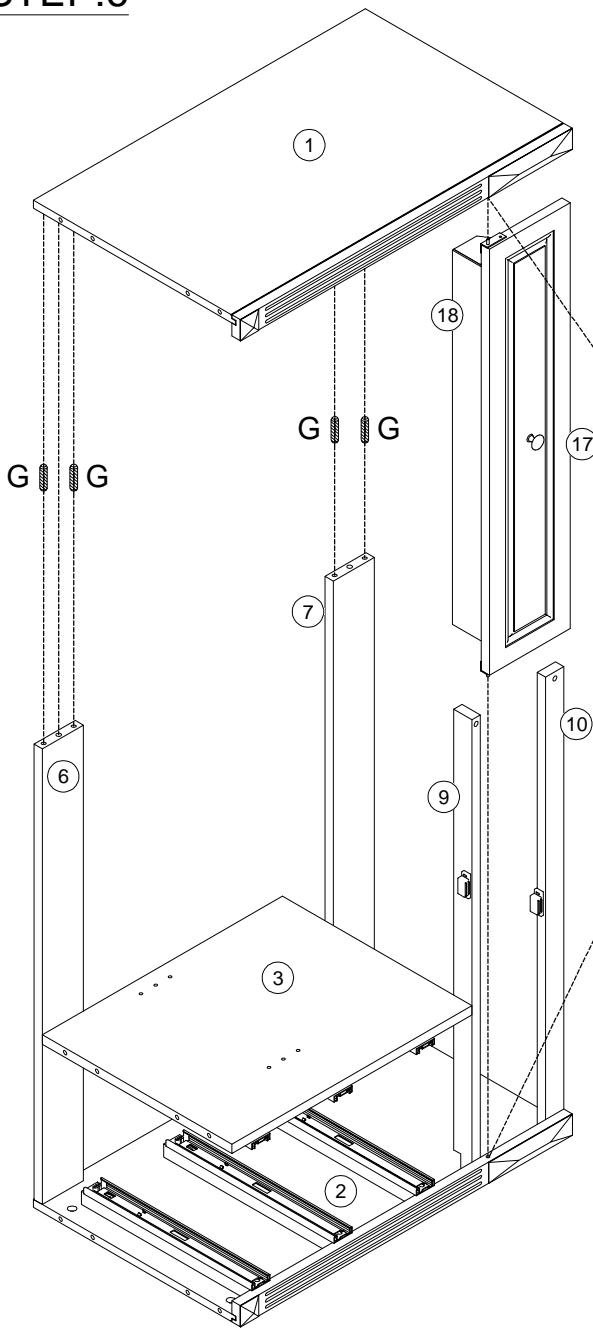
STEP:5

A  4pcs	B  2pcs
D  1pc	G  6pcs

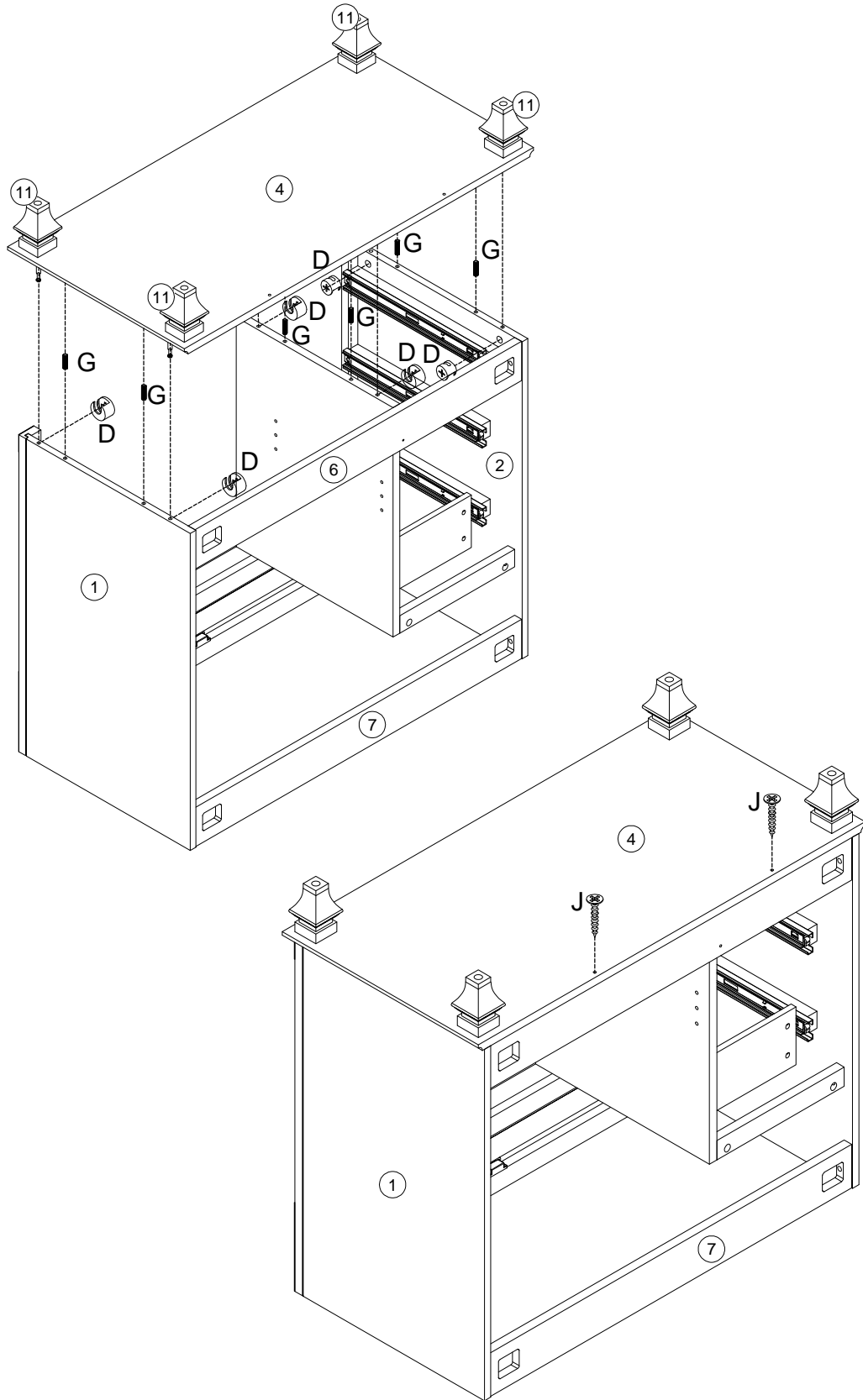


STEP:6

A  4pcs	B  2pcs
G  5pcs	



STEP:7



D



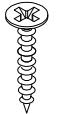
6pcs

G

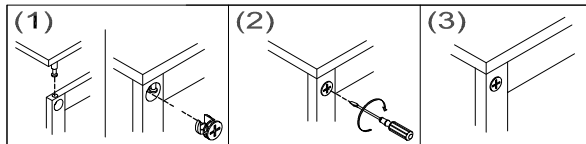


6pcs



J

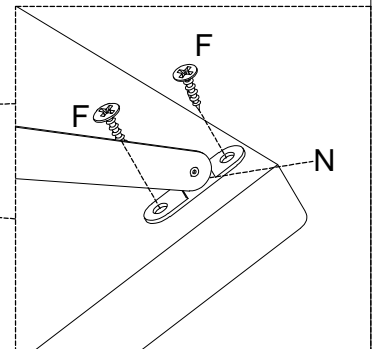
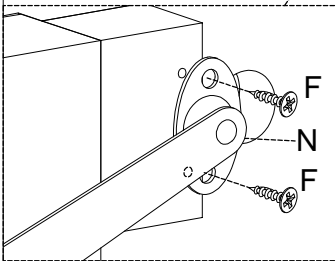
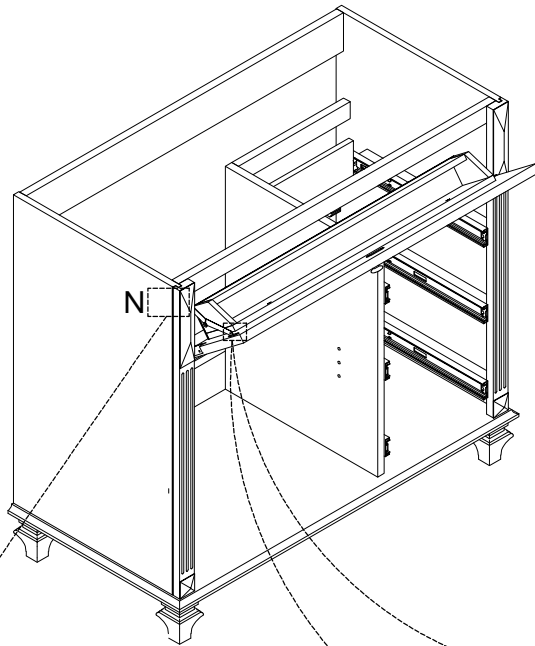


2pcs



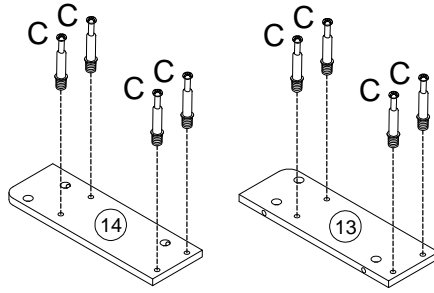
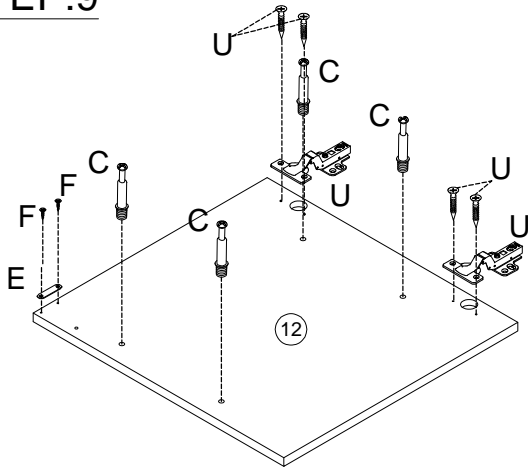
STEP:8

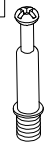

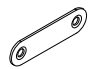


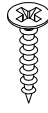
F	N
	
4pcs	1pc

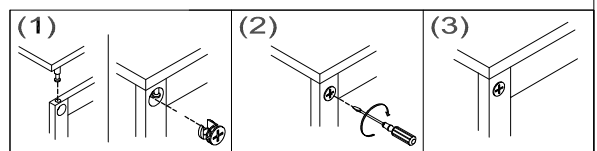
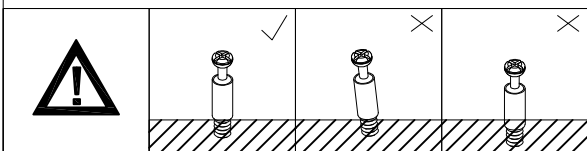
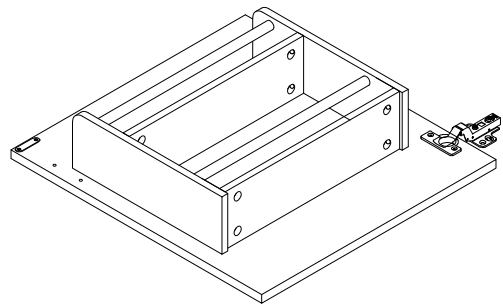
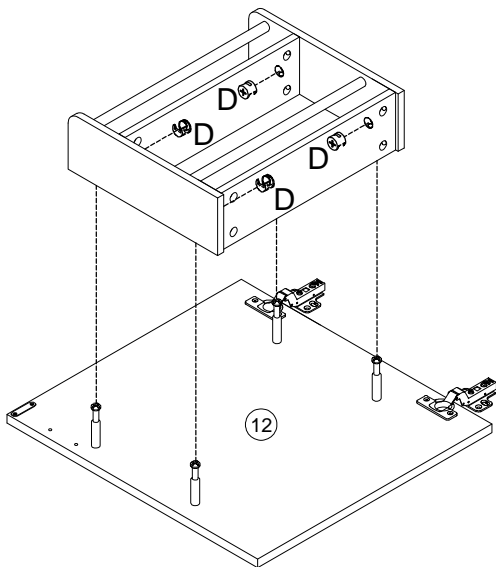
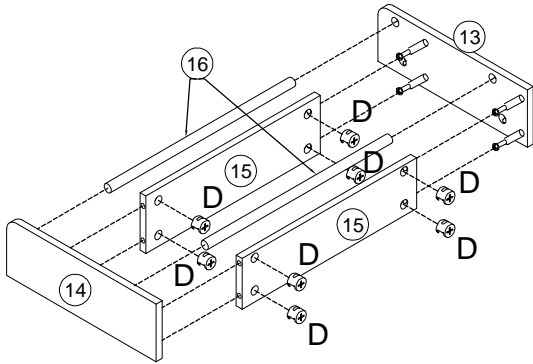


* Please note that hinges U and V are different, please do not install them backwards.

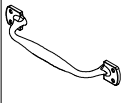

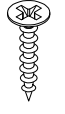
STEP:9

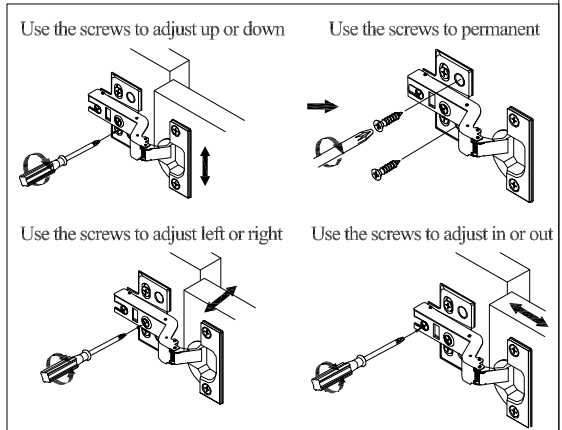
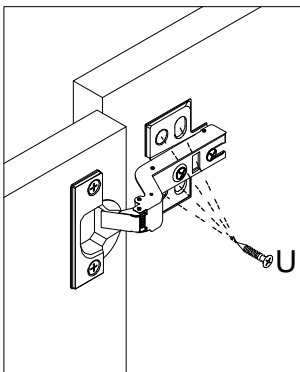
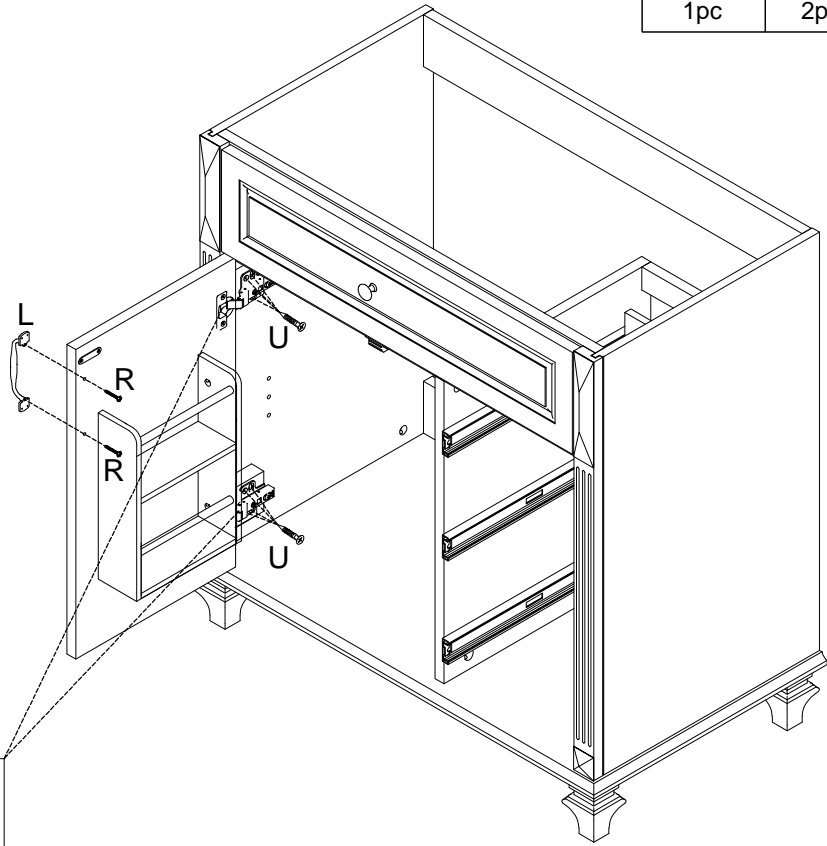


C 	D 
12pcs	12pcs
E 	F 
1pcs	2pcs
U 	U 
2pcs	4pcs

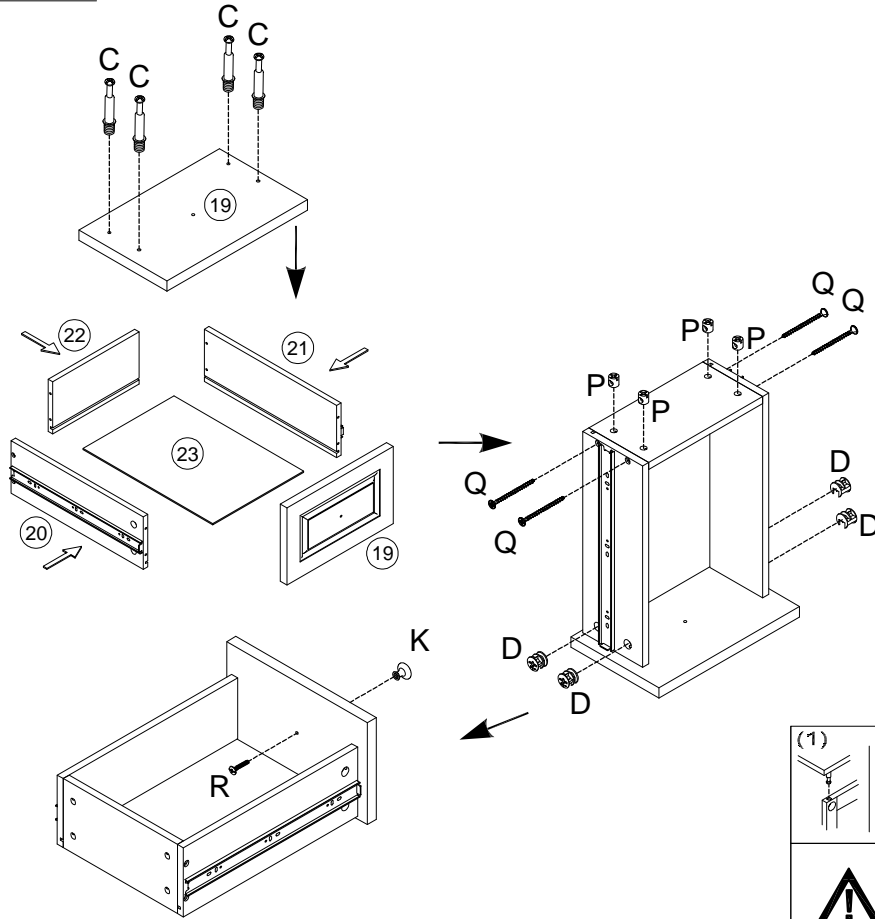


STEP:10

L	R	U
		
1pc	2pcs	8pcs

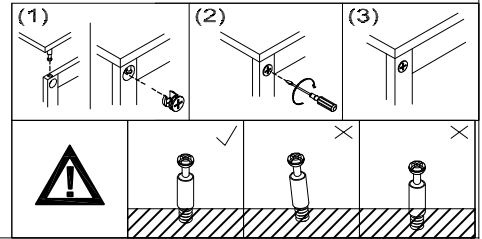


STEP:11

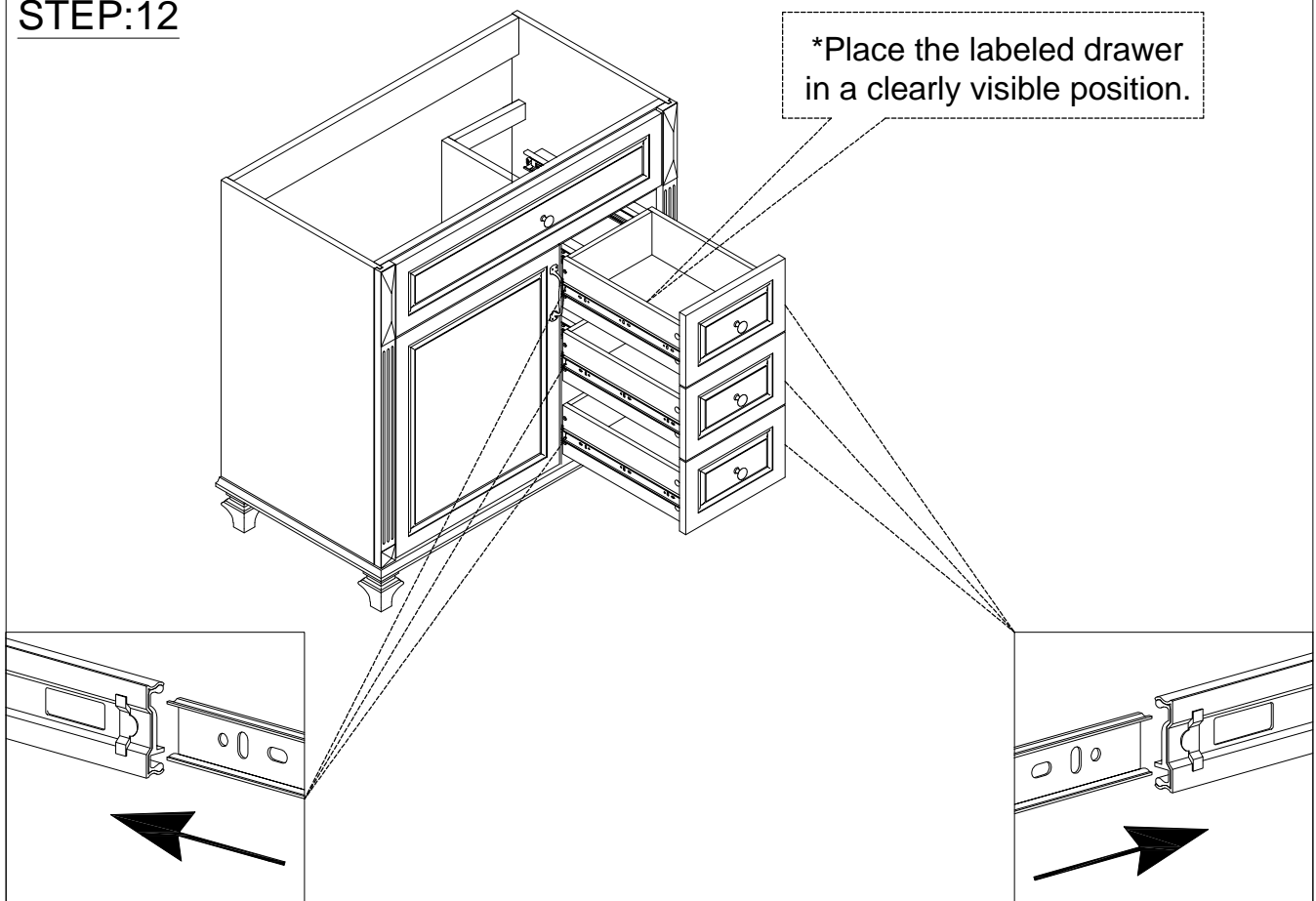


C	D	K
12pcs	12pcs	3pcs
R	P	Q
3pcs	12pcs	12pcs

X3

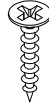
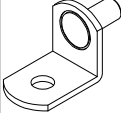


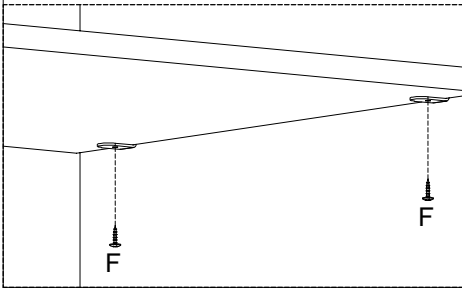
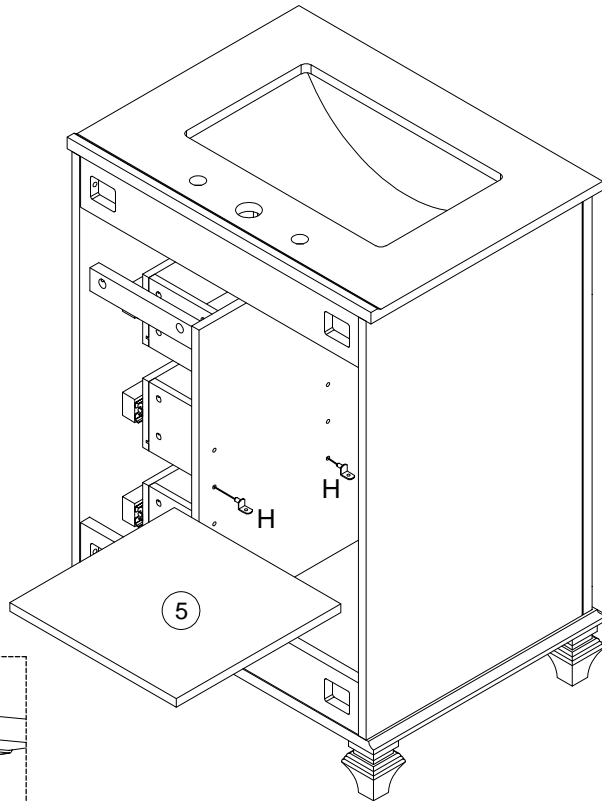
STEP:12




*Place the labeled drawer in a clearly visible position.

STEP:13

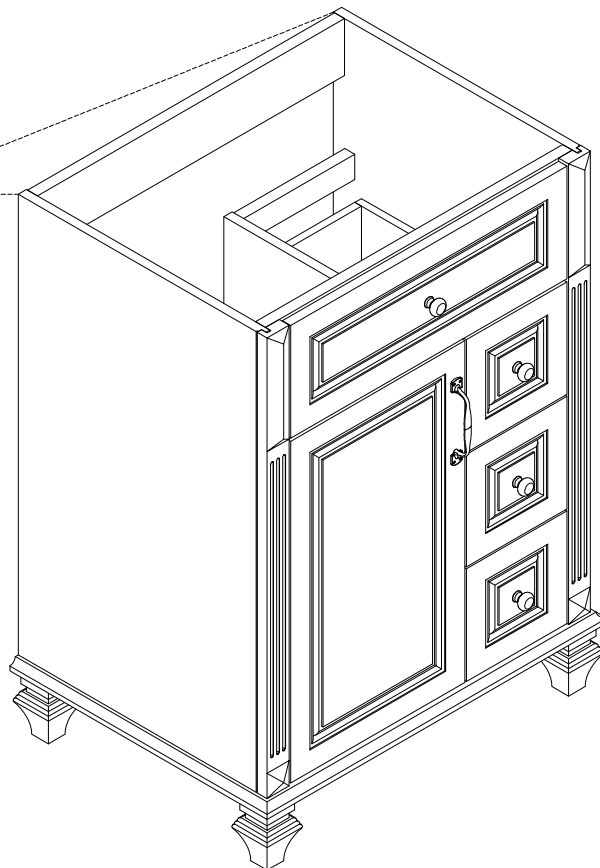
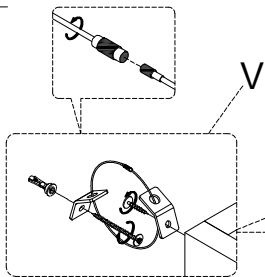
F	H
	
4pcs	4pcs



STEP:14

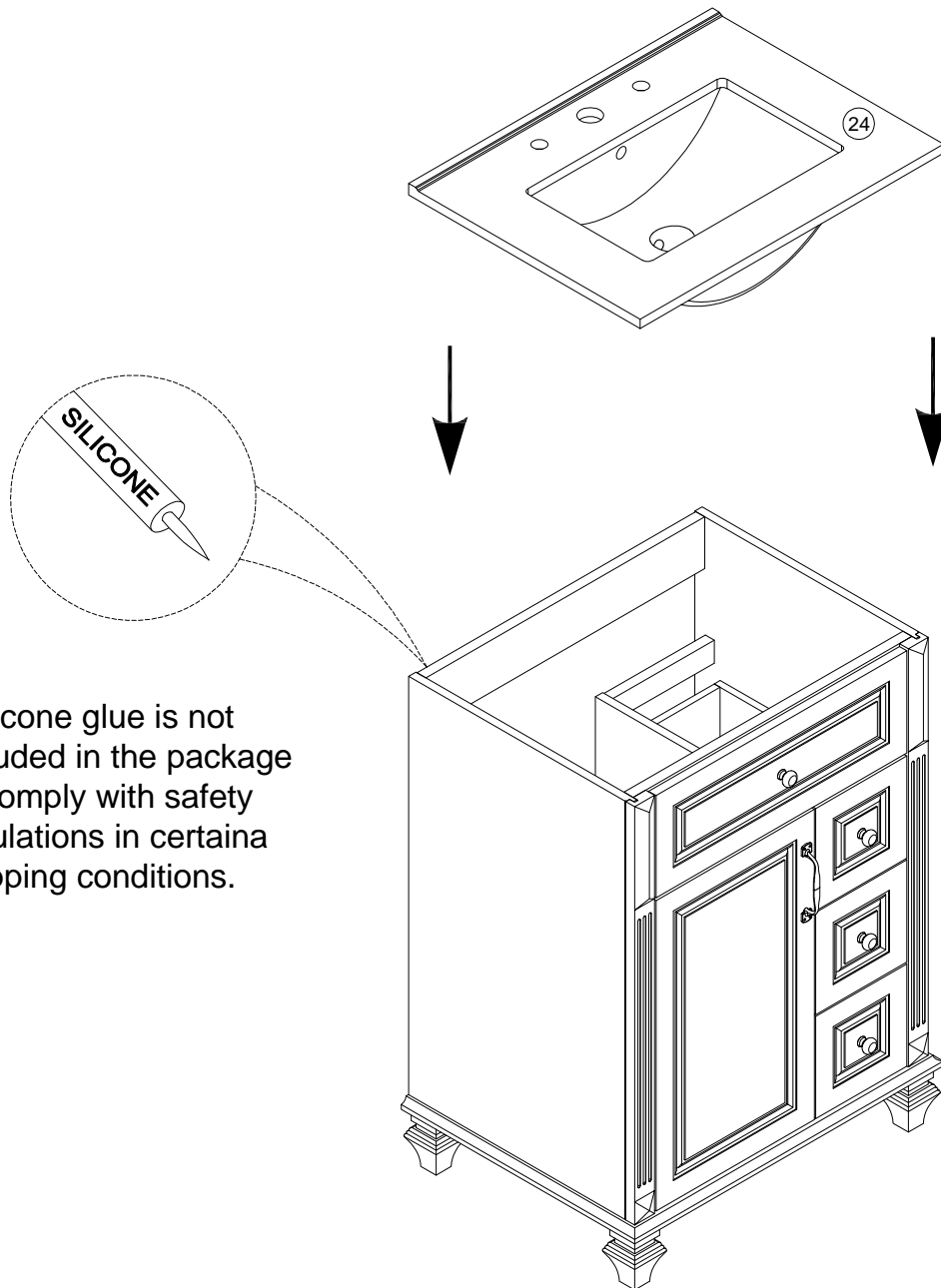
V

2pcs

Wall



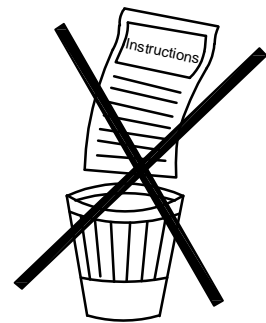
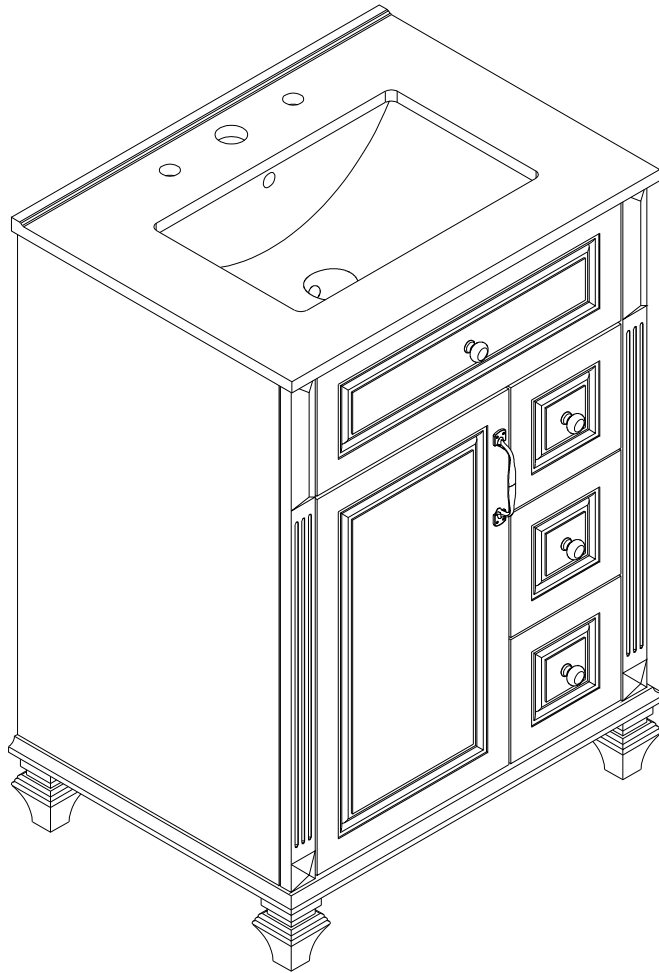
STEP:15

Install the sink on the cabinet with glue.
Let stand for 24 hours

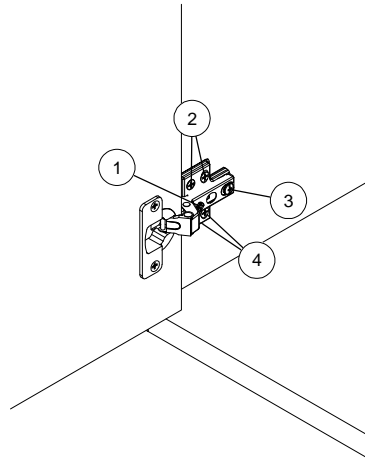


*Silicone glue is not included in the package to comply with safety regulations in certain shipping conditions.

STEP:16

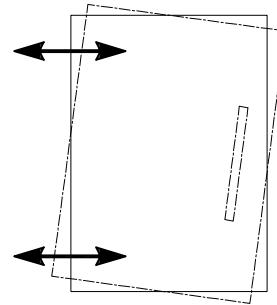


HINGE ADJUSTMENTS



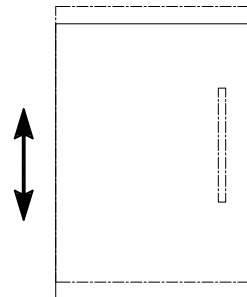
① Sideways / Tilt adjustment

Turn the screw
clockwise to move the door further away from
the side of the cabinet
anticlockwise to move the door closer to the
side of the cabinet



② ④ Height adjustment

While supporting the weight of the door, turn the
screws
clockwise to move the door up
anticlockwise to move the door down



③ Forward and back adjustment

