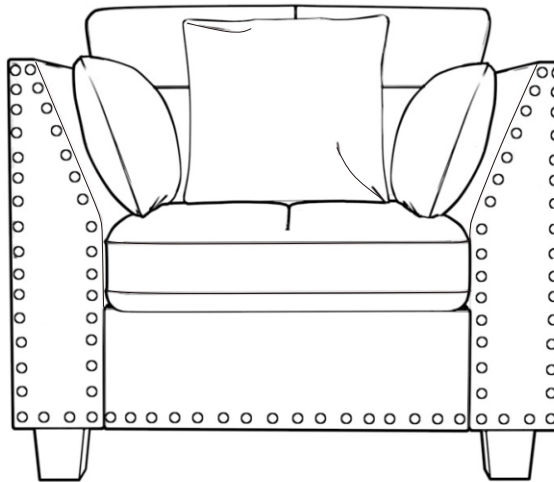


ASSEMBLY INSTRUCTION

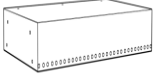
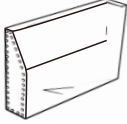
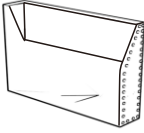

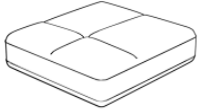




Chair

Thank you for purchasing this quality product. Be sure to check all packing material carefully for small parts which may have come loose inside the carton during shipment. Separate, identify and count all parts and metal hardware. Compare with parts list to be sure all parts are present. If any part(s) are missing or damaged, please contact your local furniture dealer. For efficient and speedy service, please indicate the model number and code letter of part(s) needed.

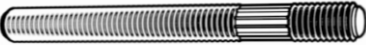
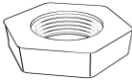
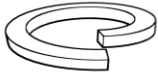
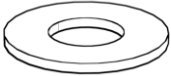


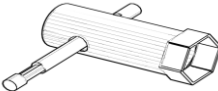

***** Do not fully tighten screws until fully assembled *****



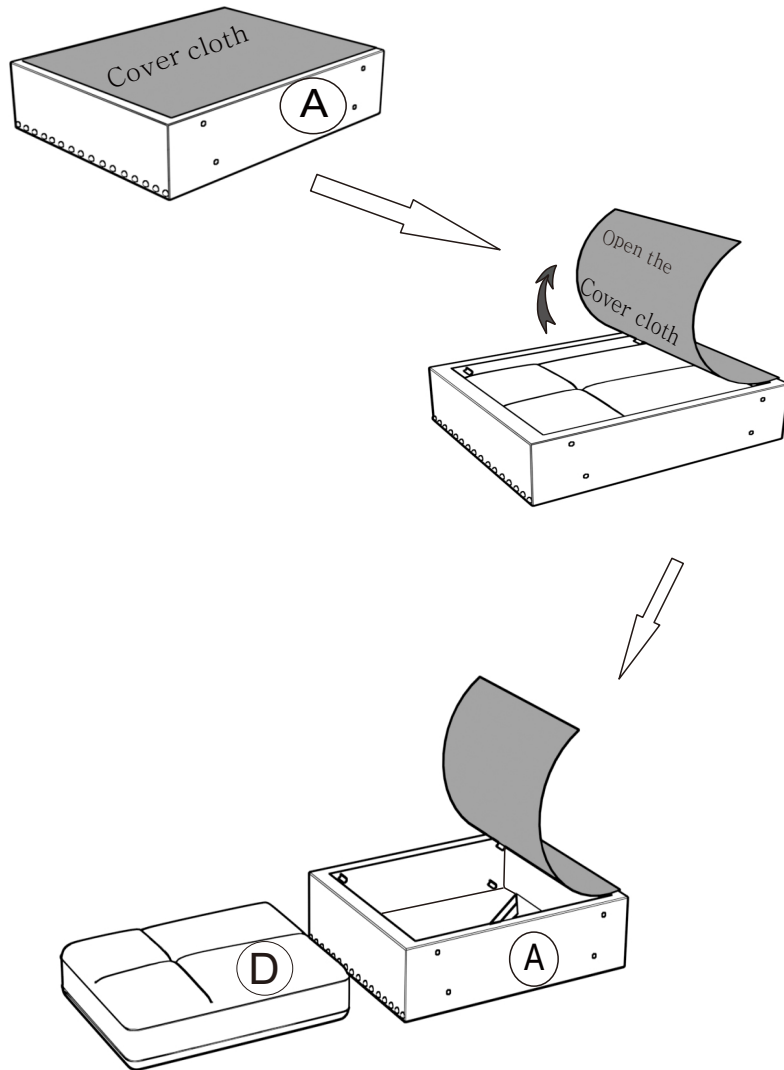
PARTS LIST

 A	 BL	 BR	 C
x1	x1	x1	x1
 D	 E	 F	 G
x1	x1	x2	x1
 H Leg			
x4			

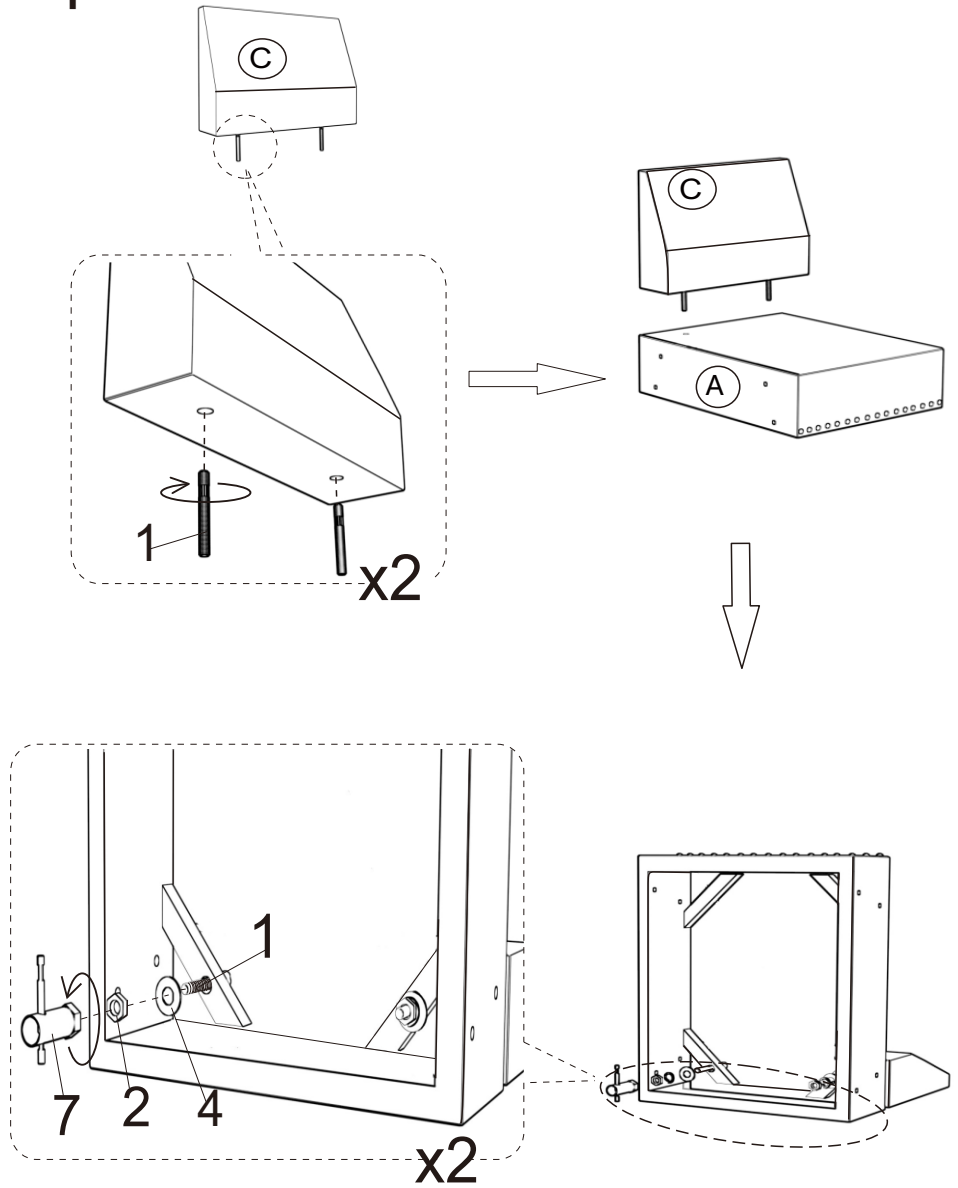
HARDWARE LIST

 1 Bolt	 2 Nut	 3 Spring Washer	 4 Washer
x2	x2	x8	x10
 5 Bolt	 6 Plastic Washer	 7 Wrench	 8 Allen Wren
x8	x4	x1	x1

Step 1

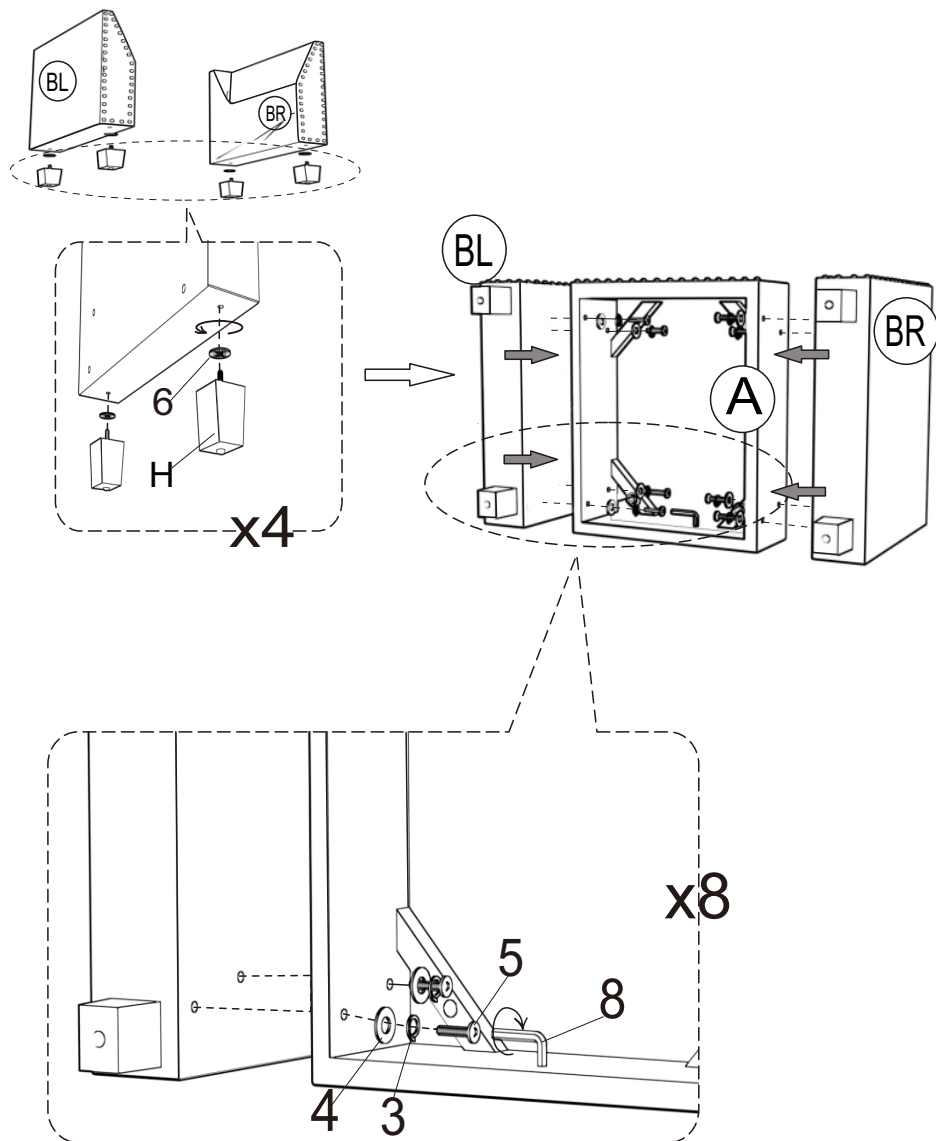


Step 2



Assembly Instructions

Step 3



Step 4

