

ASSEMBLY INSTRUCTIONS

3 DOOR 2 DRAWER SIDEBOARD

IMPORTANT: READ THESE INSTRUCTIONS CAREFULLY BEFORE ASSEMBLING OR USING YOUR 3 DOOR 2 DRAWER SIDEBOARD .

PLEASE KEEP THESE INSTRUCTIONS FOR FUTURE REFERENCE.

HEALTH & SAFETY:

DO NOT use this item if any parts are missing, damaged or worn.

DO NOT use this item unless all fixings are secured.

Please keep small parts out of reach of children.

Always use on a level, even surface.

It is recommended that two people handle and assemble the item.

Advise you use the wall straps provided to further enhance the safety of this product. **CARE &**

MAINTENANCE:

Assemble in the room of use.

To avoid damages assemble the item on a soft, clean surface

Periodically check all screws & fixings to ensure they are secure.

DO NOT push the item as this will damage the base.

Always lift the item with two people to reposition.

Keep any sharp objects away from the item.

This product is manufactured in pine which is a wood with natural characteristics including knots, grains, clusters or indentations.

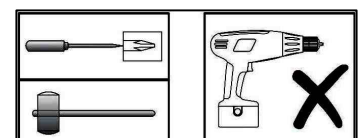
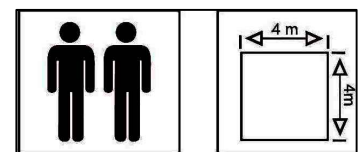
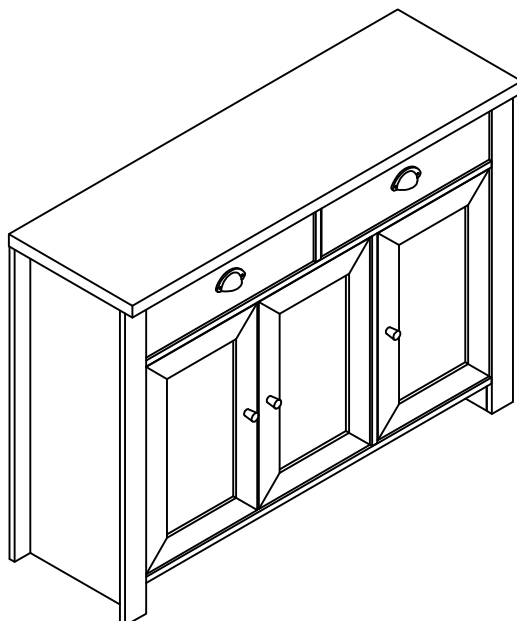
On unpacking the item you may notice an odour due to production processes but this will disappear after a period of time.

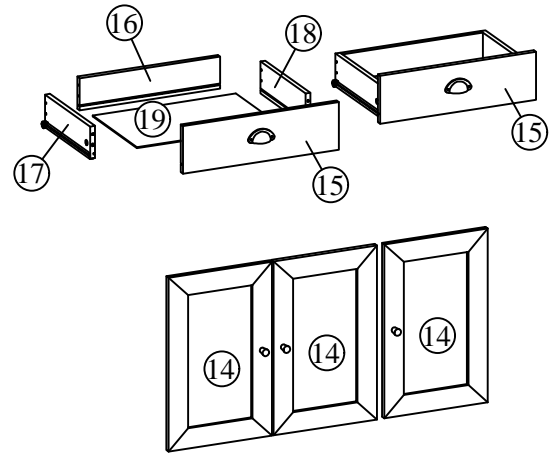
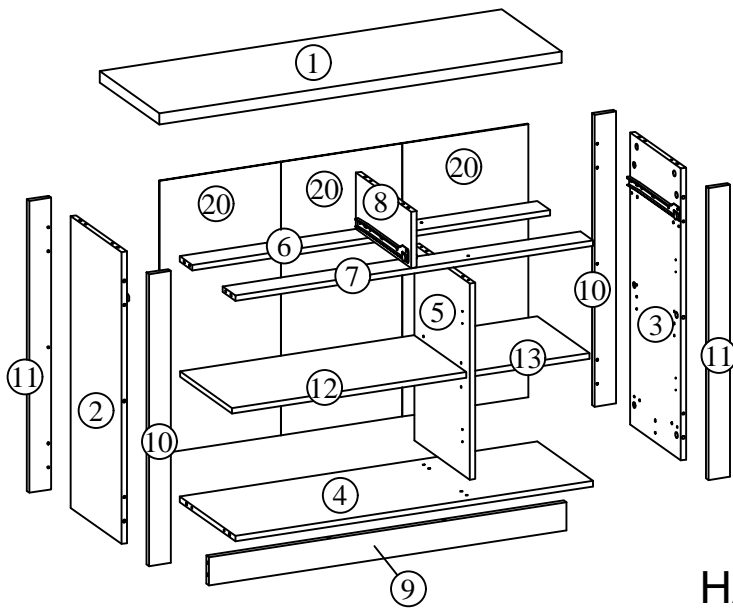
DO NOT place the item next to a radiator or direct sunlight - this item is susceptible to temperature change. It is recommended an even room temperature be maintained with no sudden fluctuations.

DO NOT place hot or cold items directly onto the surface of the item as marking will occur

For general cleaning use a duster or damp cloth (almost dry) not wet - do not use soap and water, detergents, aerosol sprays or any polish as use of these materials would invalidate any claims.

DO NOT place the item onto wet or damp flooring as staining may occur to the floor.





PARTS LIST

Carton 1 of 2:










Part	Description	Qty
1	Top Panel	1
2	Left Panel	1
3	Right Panel	1
4	Bottom Panel	1
6	Back Support Panel	1
7	Front Support Panel	1
8	Center Panel	1
9	Plinth Panel	1
10	Left Front & Right Back Post Panel	2
11	Left Back & Right Front Post Panel	2
12	Shelf Panel (Left)	1
13	Shelf Panel (Right)	1
20	Back Panel	3

PARTS LIST

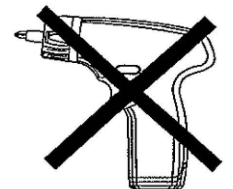
Carton 2 of 2:

Part	Description	Qty
5	Bottom Divider Panel	1
14	Door	3
15	Drawer Front Panel	2
16	Drawer Back Panel	2
17	Drawer Left Panel	2
18	Drawer Right Panel	2
19	Drawer Bottom Panel	2

HARDWARE LIST: Carton 1 of 1

Part	Description	Qty
A	CAM NUT 15mm 	34
B	CAM BOLT 	34
C	WOOD DOWEL M6 x 25mm 	34
D	CSK SCREW M4 x 38mm 	8
E	CSK SCREW M3.5 x 12mm 	24
F	PAN HEAD SCREW M3.5 x 12mm 	4
G	TXM MOON HANDLE 	2
H	METAL RUNNER TRUCK 12" 	2
I	METAL RUNNER 12" 	2
J	PVC NAIL 	4
K	NAIL 	40
L	CSK SCREW M4 x 16mm 	24
M	CSK SCREW M4 x 45mm 	6
N	T/MS SCREW M4 x 22mm 	3
O	HINGES 7/8" 	6
P	METAL SHELF SUPPORT 	8
Q	TXM NOSE ROUND HANDLE 	3
R	WASHER (M4) 	4
S	ANTI TIP STRAP 	2
T	CSK SCREW M4 x 20mm 	4

** You will need a screwdriver and a small mallet (NOT provided)

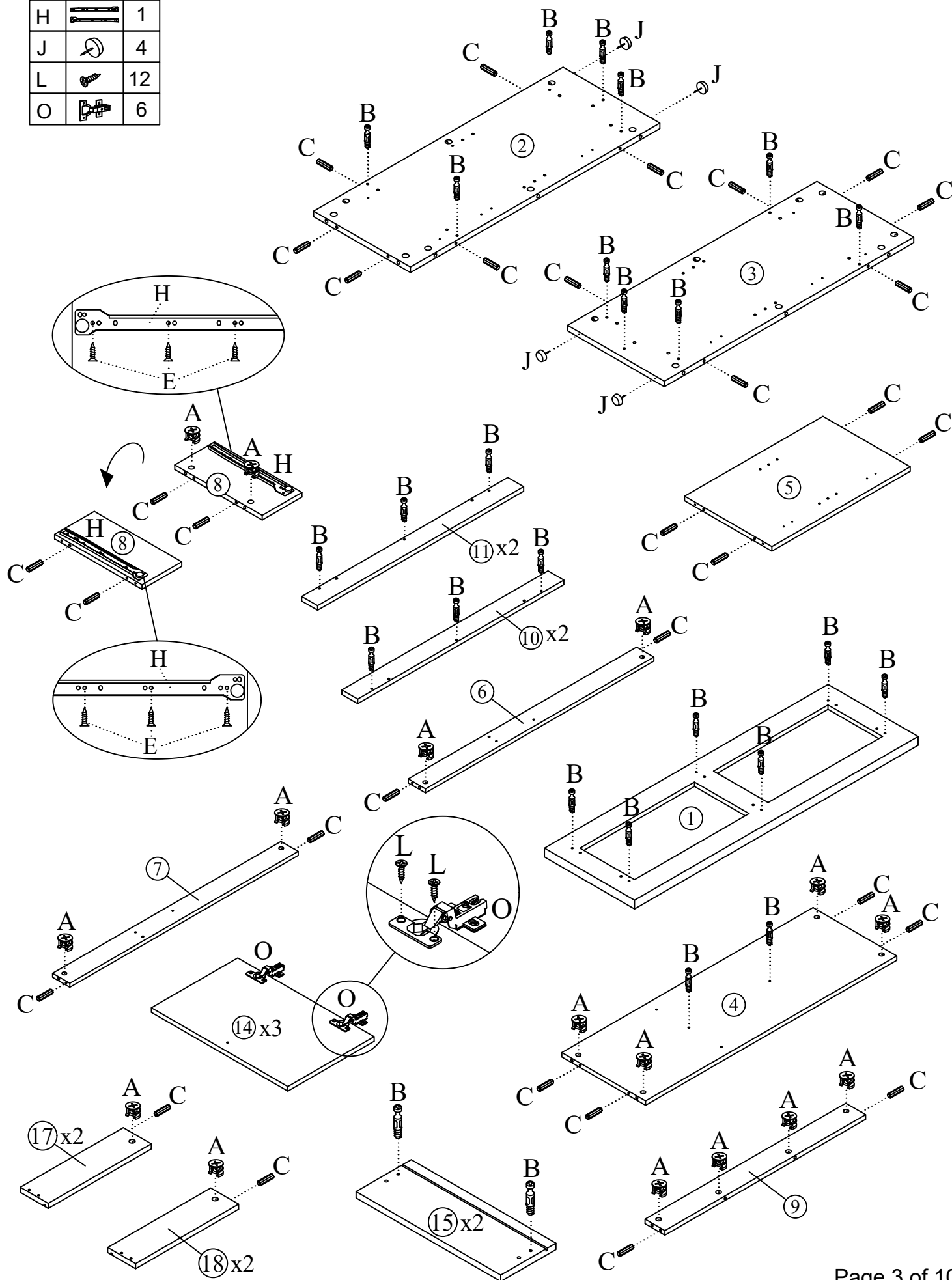


** WARNING: THE USE OF POWER TOOLS TO ASSEMBLE THIS PRODUCT WILL INVALIDATE ANY CLAIM AND MAY DAMAGE THIS PRODUCT MAKING IT UNSAFE.

1

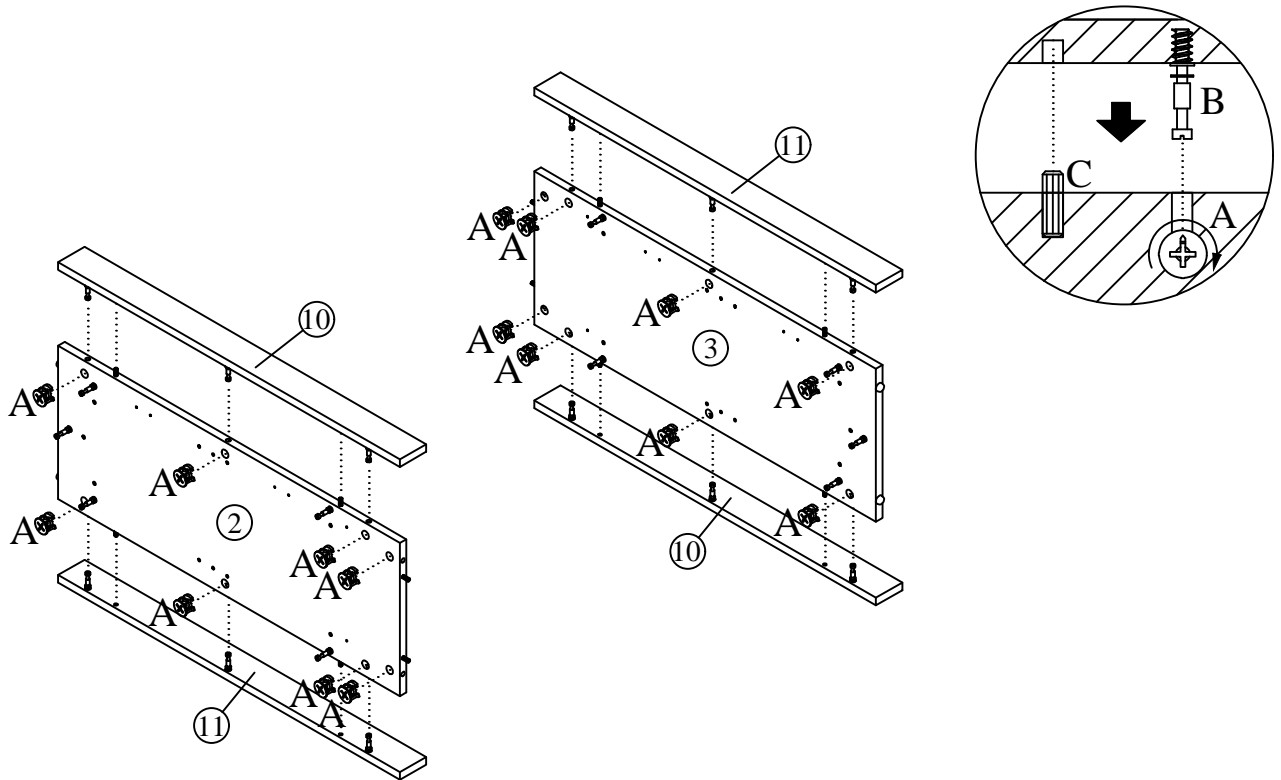
A		18
B		34
C		34
E		6
H		1
J		4
L		12
O		6

Insert hardware part A & part B using a screwdriver (not provided).
 Insert hardware part C using a small mallet (not provided). Insert hardware part J using a small mallet (not provided). Fix hardware H with screw E using screwdriver (not provided).
 Fix Hinges (O) using screw (L) by screwdriver (not provided).
 DO NOT use any power tools as this may damage the frame and will invalidate any claim.



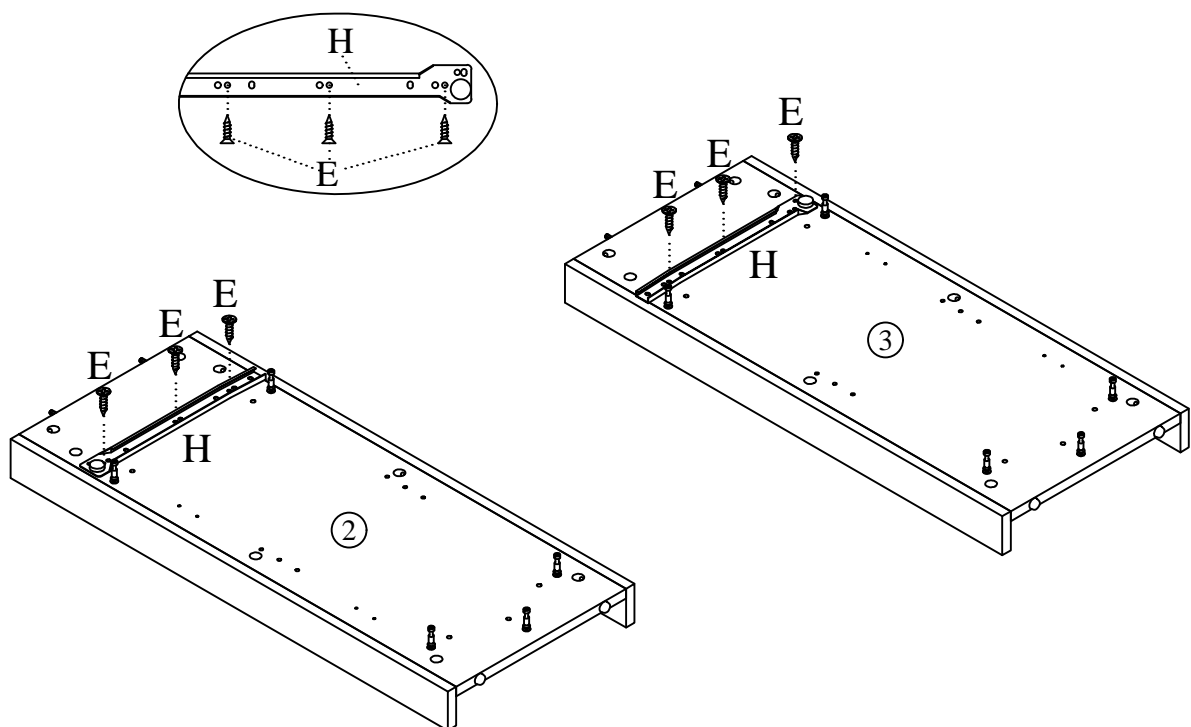
2 A  16

Attach the Left Front & Right Back Post Panel (10) and Left Back & Right Front Post Panel (11) to Left Panel (2) and Right Panel (3) by screwdriver (not provided). **DO NOT** use any power tools as this may damage the frame and will invalidate any claim.



3 E  6
H  1

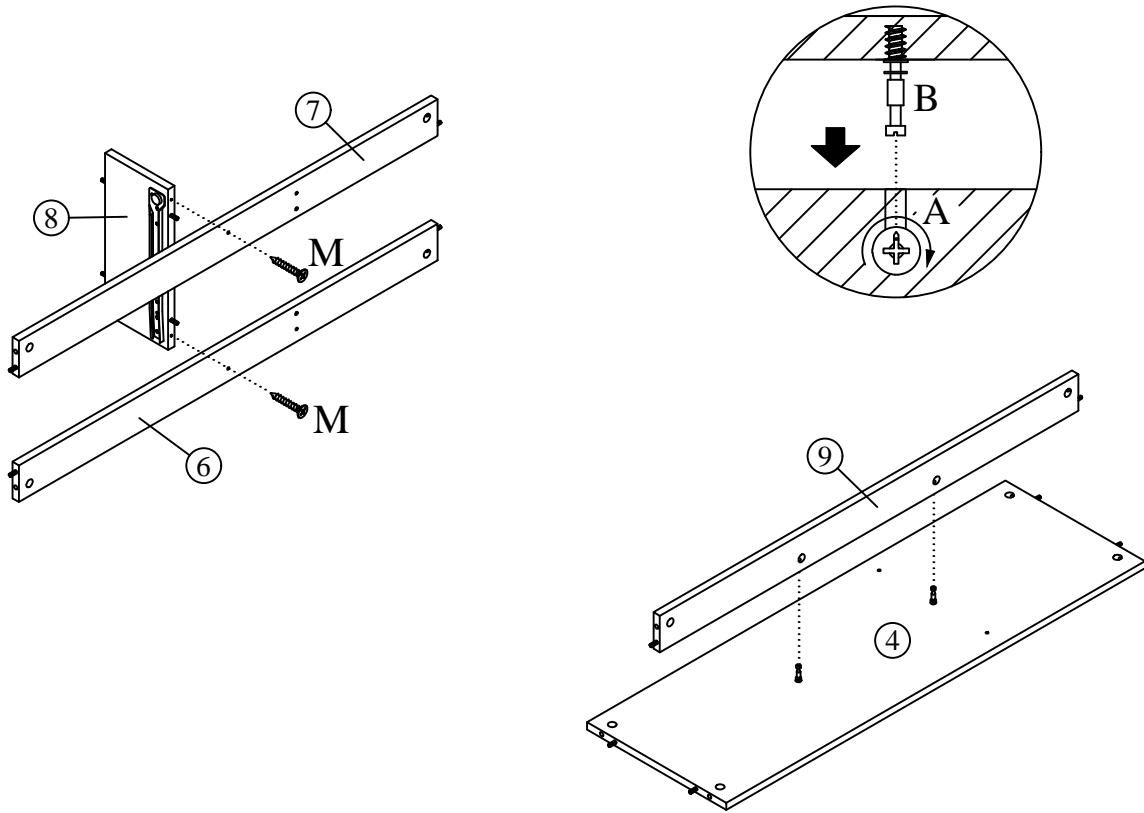
Fix hardware H with screw E using screwdriver (not provided). **DO NOT** use any power tools as this may damage the frame and will invalidate any claim.



4



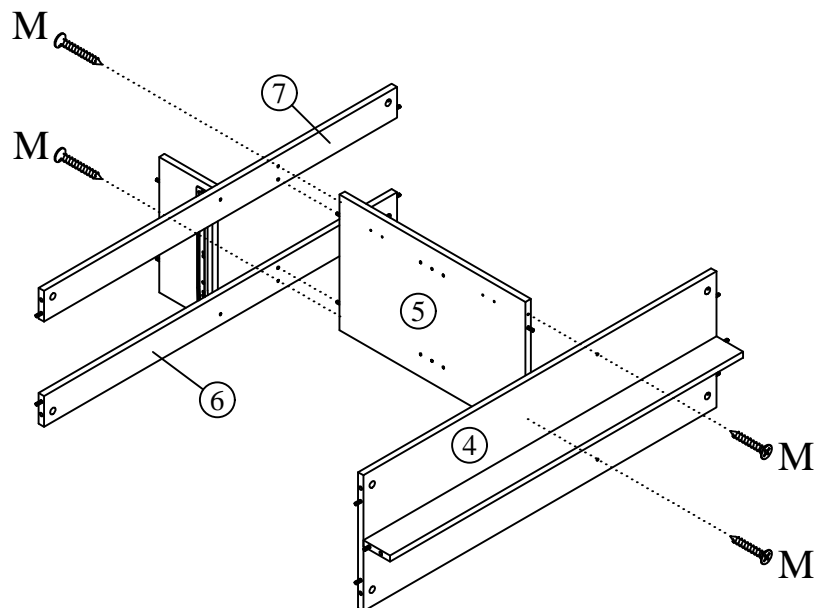
Attach the Front and Back Support Panel (6) & (7) To Center Panel (8) using Screw (M) by screwdriver (not provided). Attach the Plinth Panel (9) to Bottom Panel (4) by screwdriver (not provided). **DO NOT** use any power tools as this may damage the frame and will invalidate any claim.



5

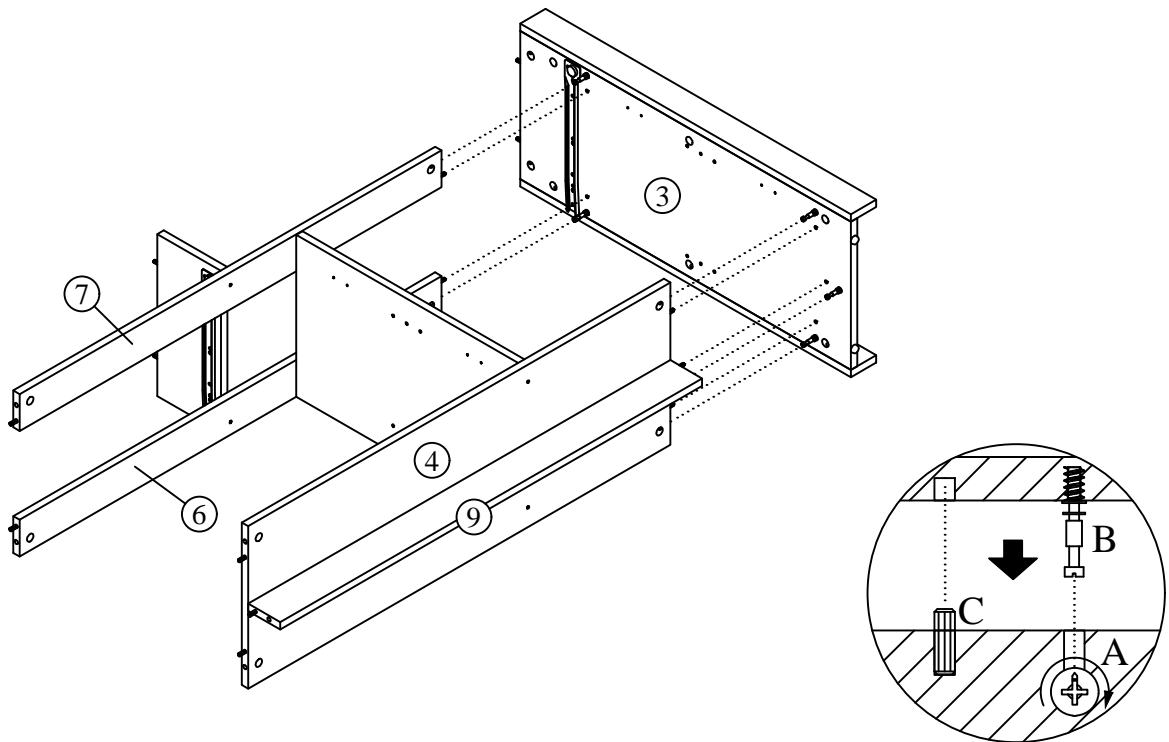


Attach the Front and Back Support Panel (6) & (7) To Bottom Divider Panel (5) using Screw (M) by screwdriver (not provided). Attach the Bottom Panel (4) to Bottom Divider Panel (5) by screwdriver (not provided). **DO NOT** use any power tools as this may damage the frame and will invalidate any claim.

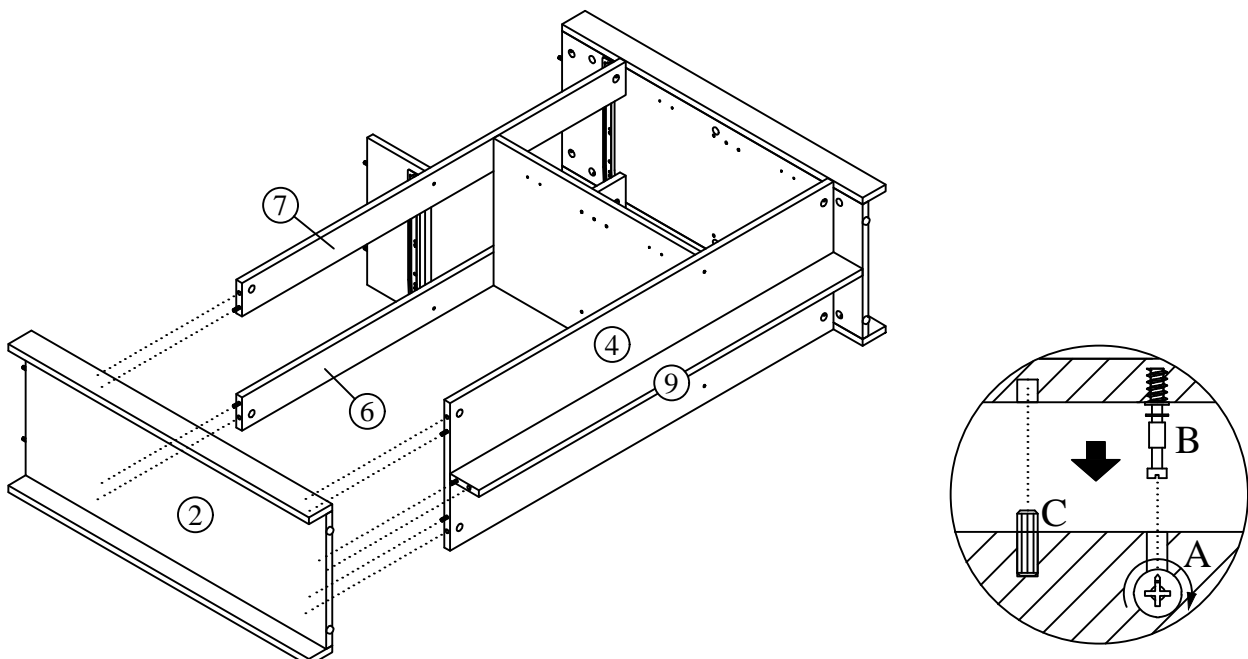


6

Attach the Front and Back Support Panel (6) & (7) to Left Panel (3) by screwdriver (not provided). Attach the Bottom Panel (4) and Plinth Panel (9) to Left Panel (3) by screwdriver (not provided). **DO NOT** use any power tools as this may damage the frame and will invalidate any claim.

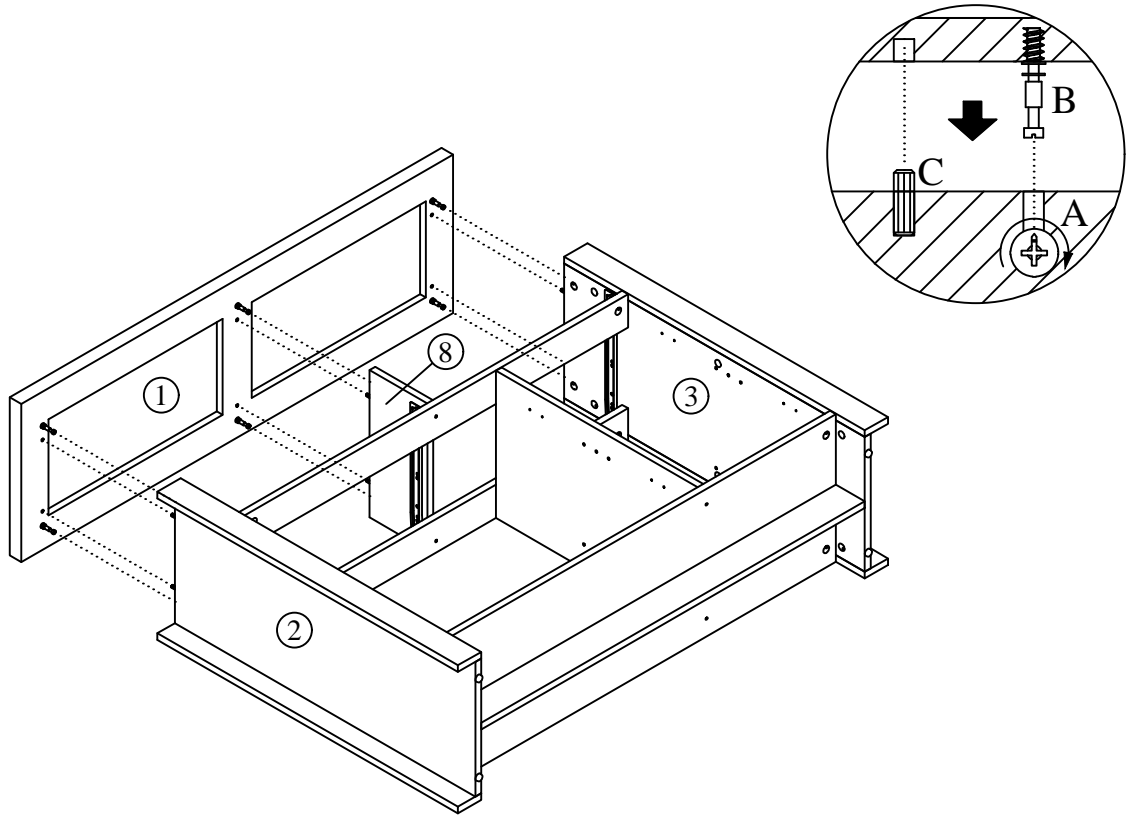
**7**

Attach the Front and Back Support Panel (6) & (7) to Left Panel (2) by screwdriver (not provided). Attach the Bottom Panel (4) and Plinth Panel (9) to Left Panel (2) by screwdriver (not provided). **DO NOT** use any power tools as this may damage the frame and will invalidate any claim.







8

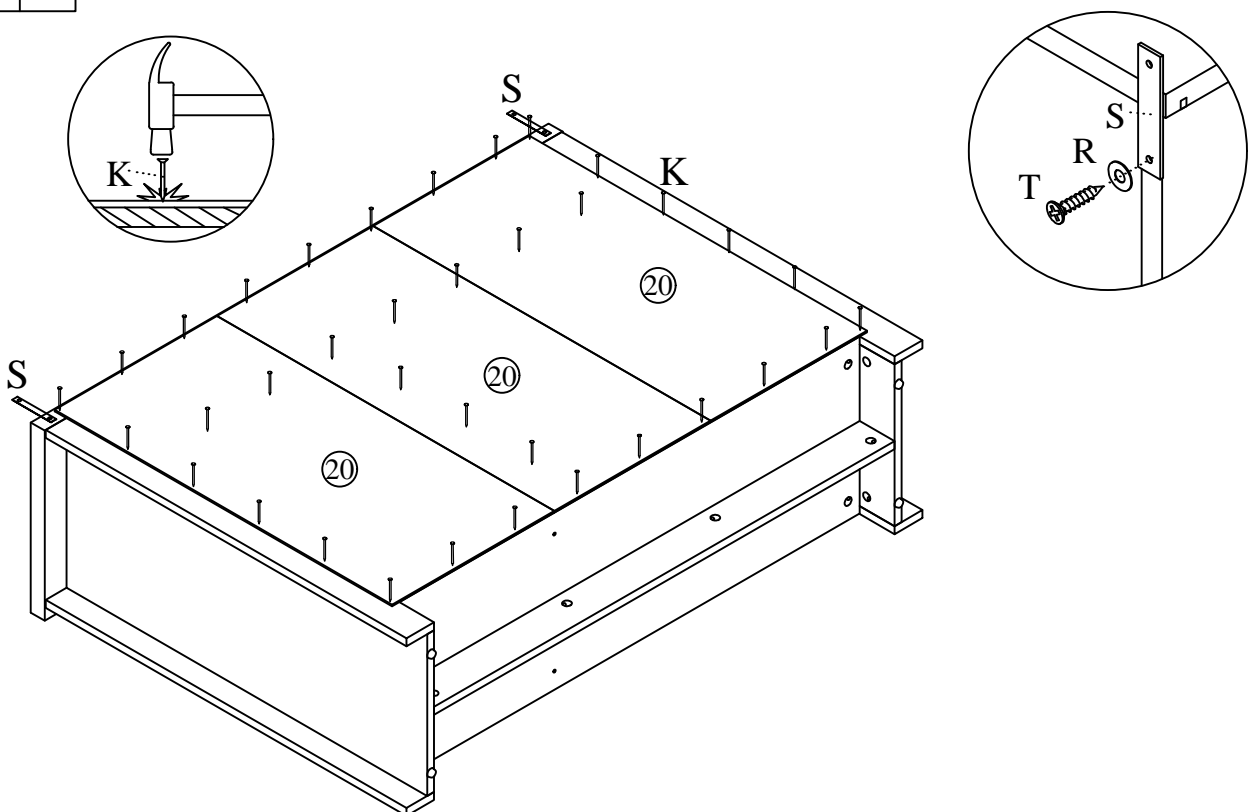
Attach the Top Panel (1) to Left ,Right and Center Panel (2),(3)&(8) by screwdriver (not provided).
DO NOT use any power tools as this may damage the frame and will invalidate any claim.



9

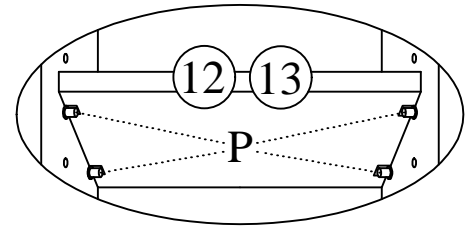
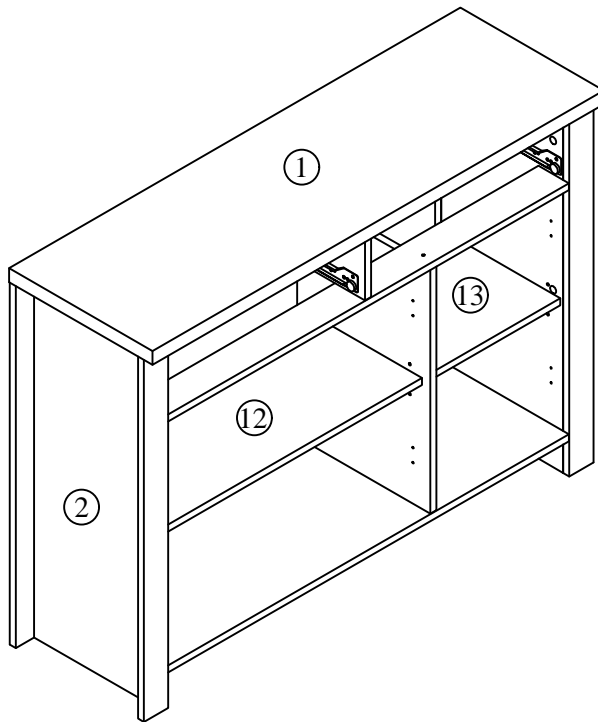
K		40
R		2
S		2
T		2

Attach the Back Panel (20) with Nail (K) by small mallet (not provided).
 Fix Anti tip strap (S) with washer (R) and Screw (T) To Top Panel (1) by screwdriver (not provided).
DO NOT use any power tools as this may damage the frame and will invalidate any claim.

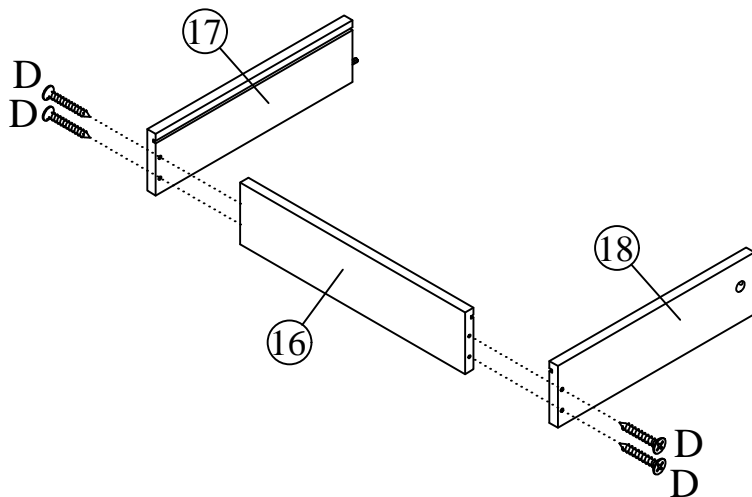


10



Fix Metal Shelf Support (P) as shown

**11**

Attach the Drawer Left Panel (17) and Drawer Right Panel (18) to Drawer Back Panel (16) with screw (D) by screwdriver (not provided).
DO NOT use any power tools as this may damage the frame and will invalidate any claim.

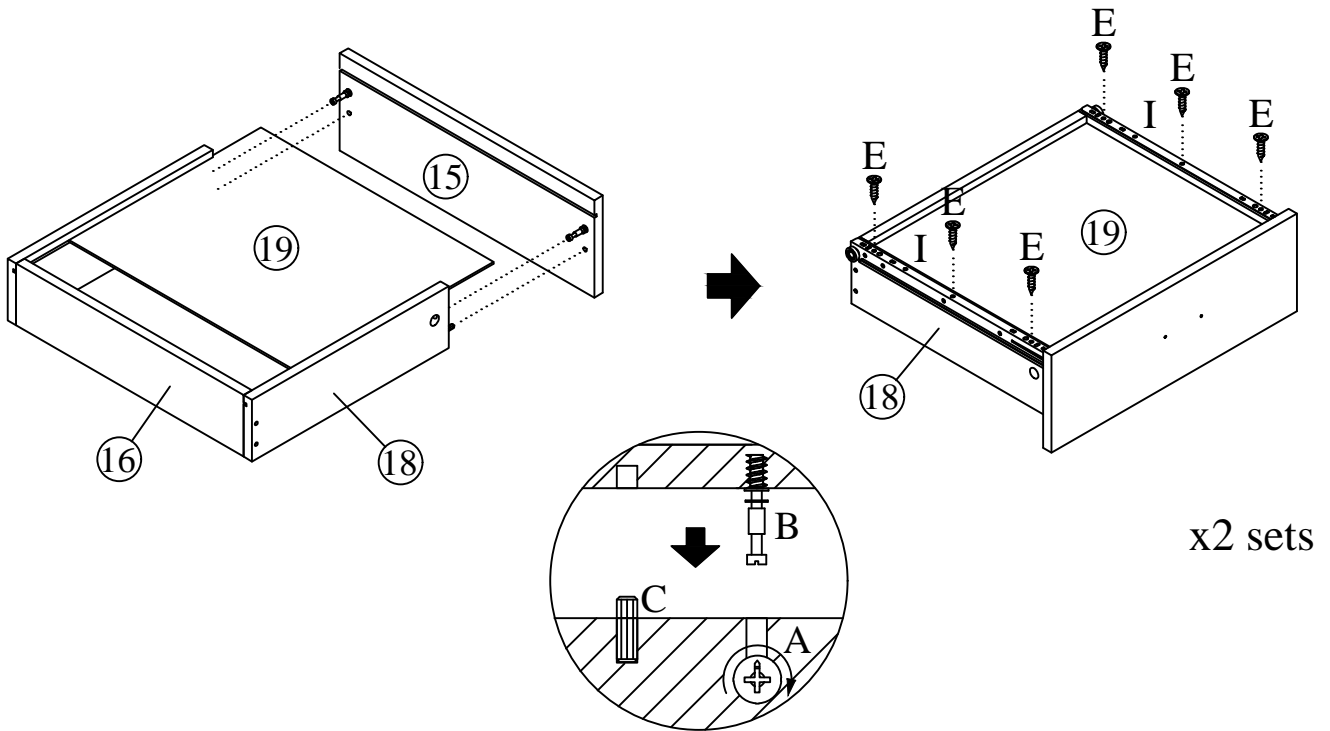





x2 sets

12	E		12
	I		2

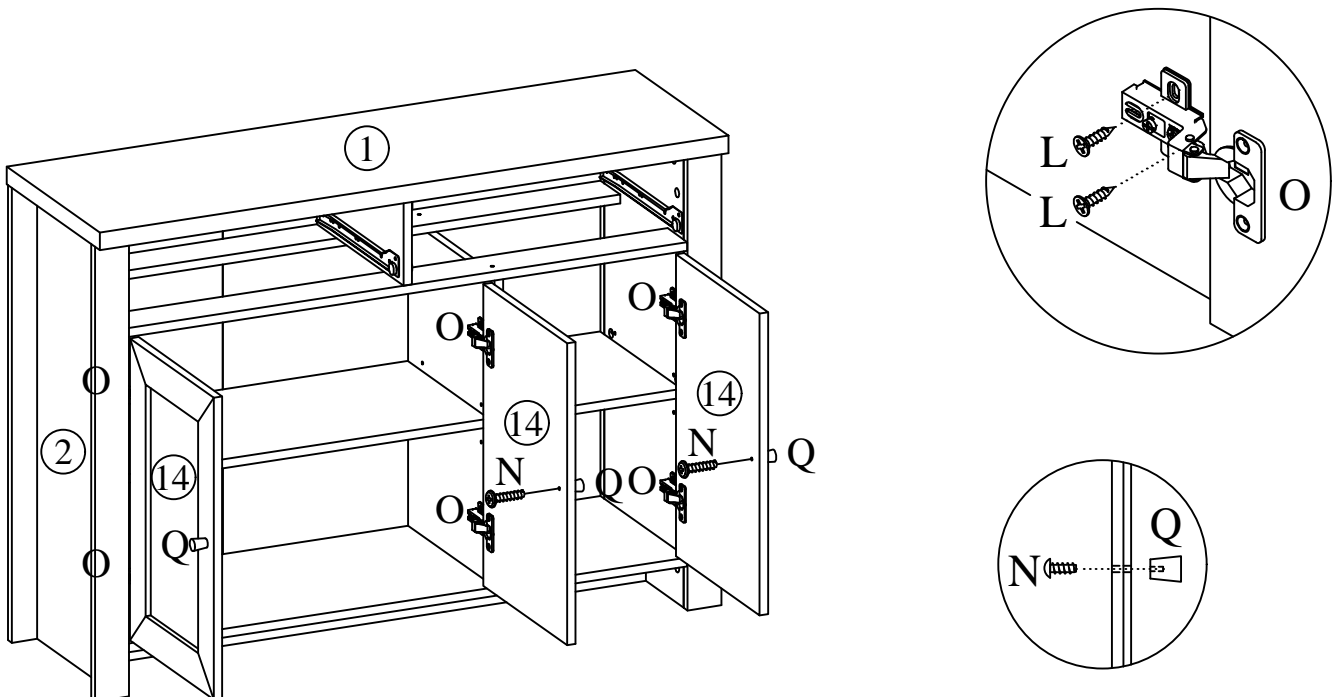
Insert Drawer Bottom Panel (19) as shown and fix Drawer Front Panel (15) (15) by screwdriver (not provided).
 Fix hardware (I) onto the Drawer Left Panel (17) and Drawer Right Panel (18) using screw (E) by screwdriver (not provided).

DO NOT use any power tools as this may damage the frame and will invalidate any claim.







13	L		12
	N		3
	Q		3

Fix Hinges (O) onto Left and Right Panel (2) & (3) using screw (L) by screwdriver (not provided).
 Fix Metal Shelf Support (P) as shown
 Fix Handle (Q) using screw (N) as shown by screwdriver (not provided).
DO NOT use any power tools as this may damage the frame and will invalidate any claim.



14

F		4
G		2
R		2
T		2

Fix Handle (G) using screw (F) onto Head of drawer (13) by screwdriver (not provided).

Fix Anti tip strap (S) with washer (R) and Screw (T) To wall by screwdriver (not provided).
- Make sure it is firmly attached and make sure it is snug fit
- Seek advice from a qualified trade person on how to attach this safety strap to your specific wall.

DO NOT use any power tools as this may damage the frame and will invalidate any claim.

