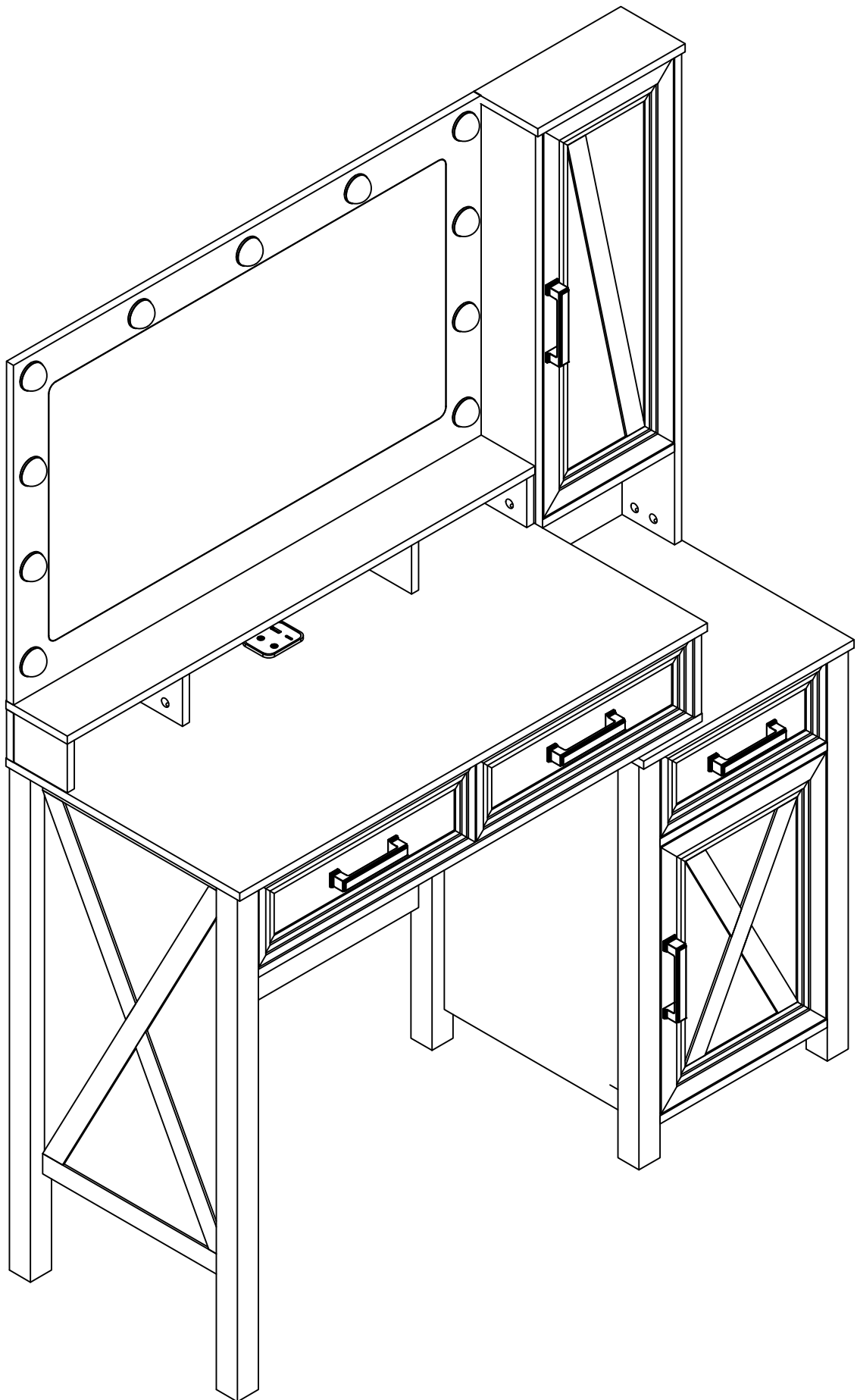
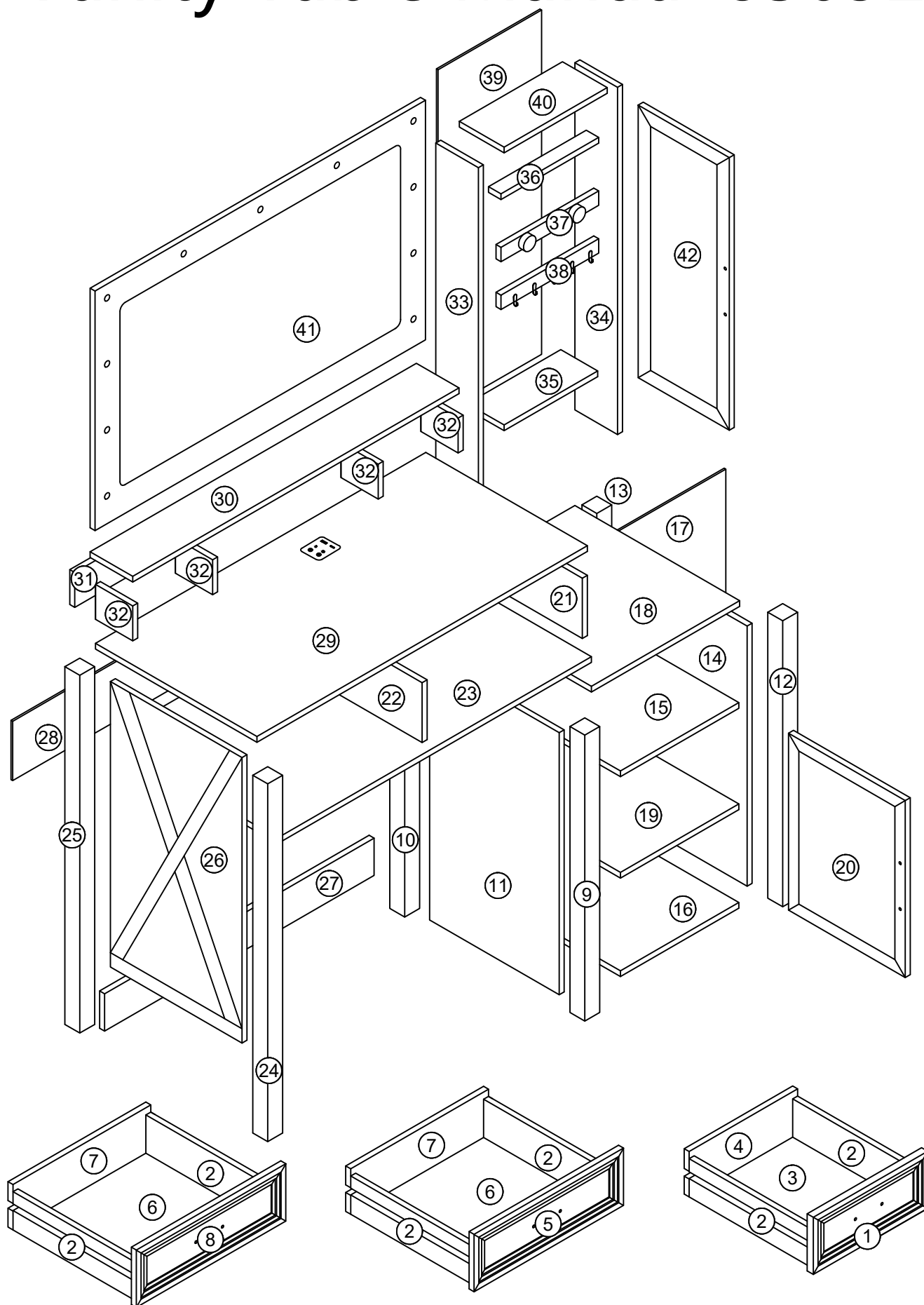


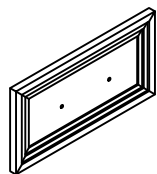
# Vanity Table Manual



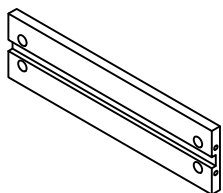
# Vanity Table Manual 85092



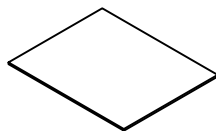
# Hardware list



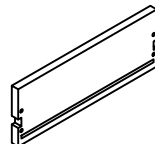
1x1



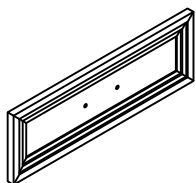
2x6



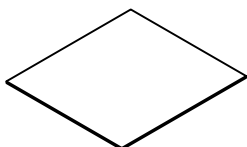
3x1



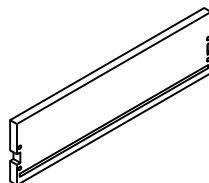
4x1



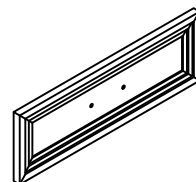
5x1



6x2



7x2



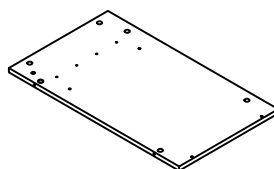
8x1



9x1



10x1



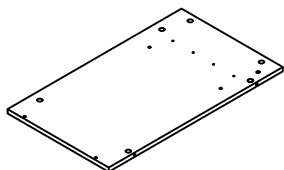
11x1



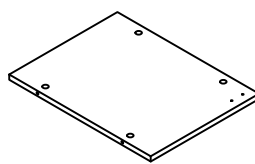
12x1



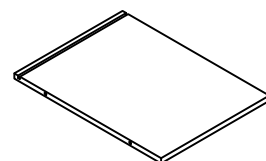
13x1



14x1

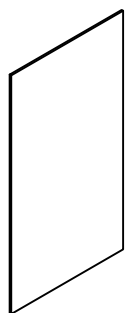


15x1

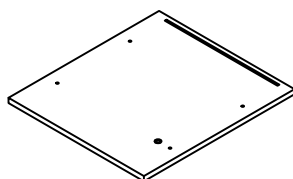


16x1

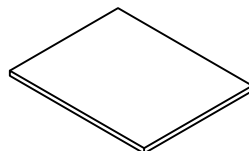
# Hardware list



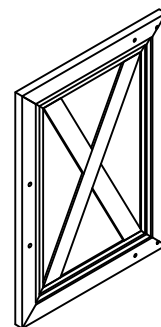
17x1



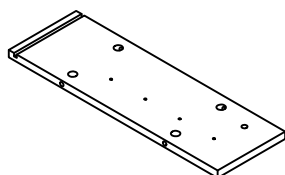
18x1



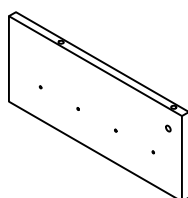
19x1



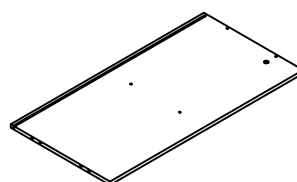
20x1



21x1



22x1



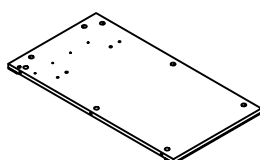
23x1



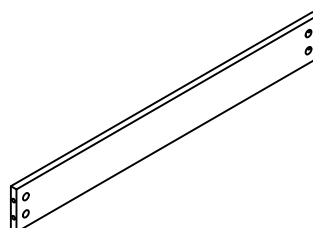
24x1



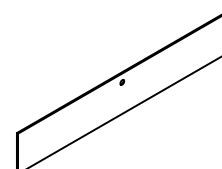
25x1



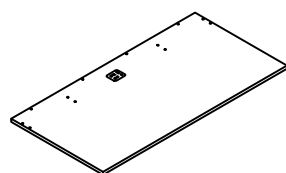
26x1



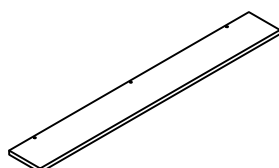
27x1



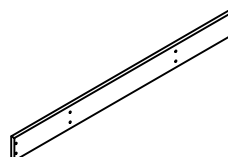
28x1



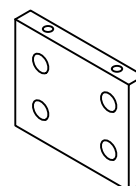
29x1



30x1



31x1



32x4

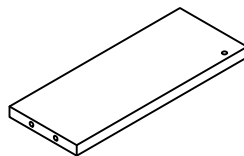
# Hardware list



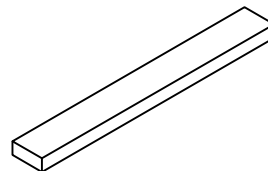
33x1



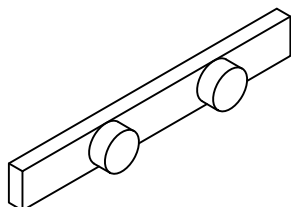
34x1



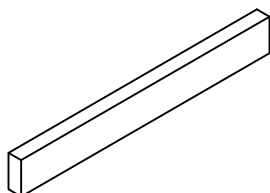
35x1



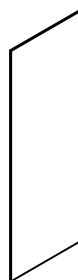
36x1



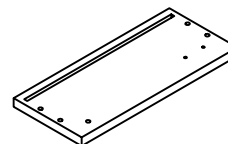
37x1



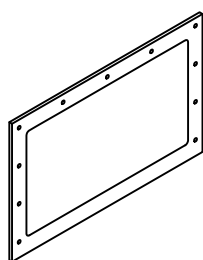
38x1



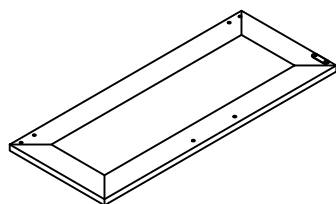
39x1



40x1

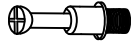

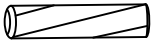
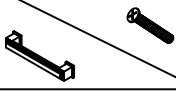
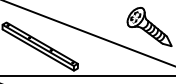
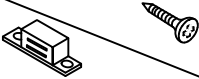

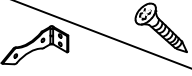
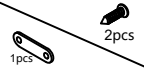




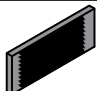




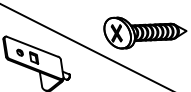
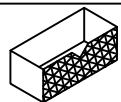


41x1




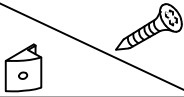




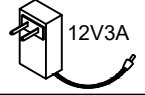


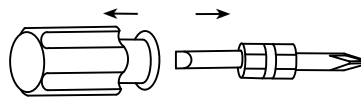
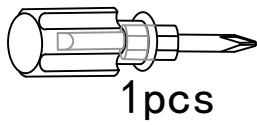
42x1

# Accessories list

A		Two in one screw (6x28mm)	105pcs +5pcs
B		Two in one nut (12x10mm)	105pcs +5pcs
C		Wood chipping (6x30mm)	2pcs +1pcs
D		Handle & screw (4x8mm)	3pcs / 6pcs +2pcs
E		Rubber strip guide & Screw (3.5x16mm)	6pcs / 24pcs +5pcs
F		Magnetic attraction & screw (3x10mm)	2pcs / 4pcs +1pcs
G		Laminate support nail	4pcs +2pcs
H		Cabinet door hinge & Screw (4x10mm)	2pcs / 8pcs +2pcs
I		Iron gasket & Self tapping screw(3x10)	4pcs / 8pcs +2pcs
J		screw(6x20)	1pcs
K		Cross machine wire (8x20mm)	6pcs +1pcs
L		Protective sticker	20pcs
N		Screw & Hook (3X12)	11pcs / 1pcs
M		Ring cotton	12pcs +3pcs
O		Countersunk head tapping screw(4x16mm) gasket	1pcs
P		anti-tipping tape	1pcs
Q		Light bulb	11pcs / 1pcs
R		Clamp	12pcs +2pcs
S		Countersunk head tapping screw (3x12mm)	2pcs / 4pcs +1pcs
T		Lipstick checkered	2pcs

# Accessories list

		Countersunk head tapping screw (4x45mm)	1pcs
		Back plate buckle & Screw (3x16mm)	6pcs <sup>+2pcs</sup>
		Handle & screw (4x16mm)	2pcs <sup>4pcs +2pcs</sup>
		Foot pads (36x36x2)	6pcs <sup>+2pcs</sup>
	12V3A	The power adapter	1pcs

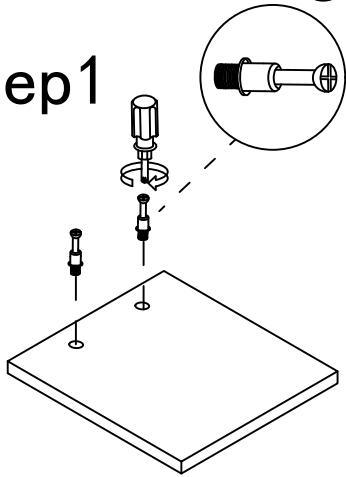


Double-head screwdriver, use as required

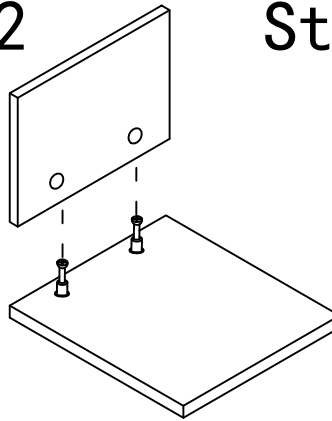


Use parts (A) and (B)

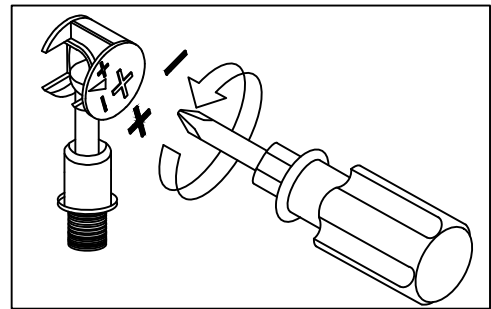
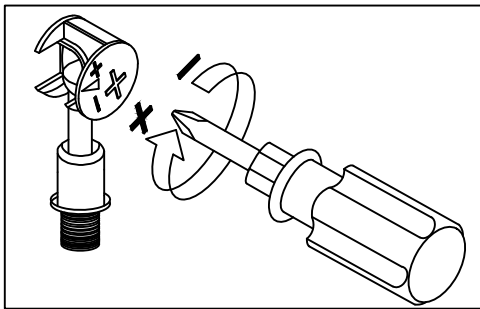
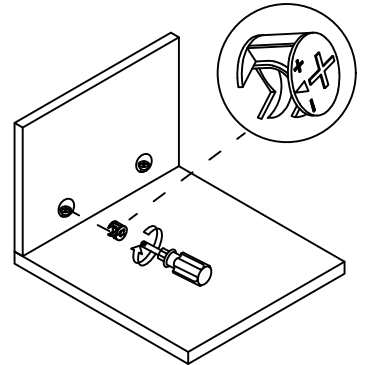
Step 1



Step 2



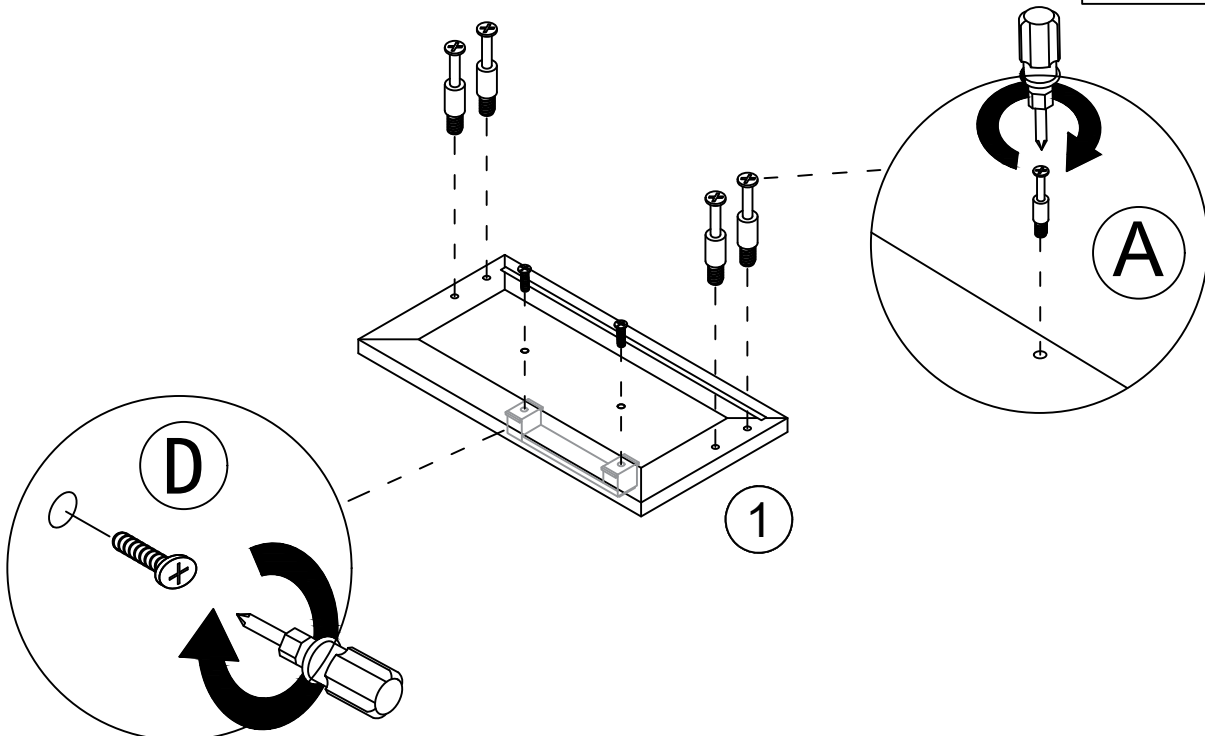
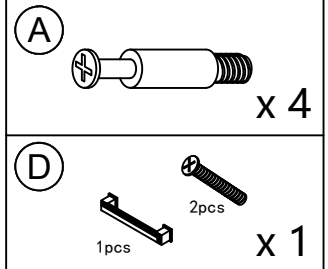
Step 3




Use a screwdriver to lock in the direction of the "+" sign

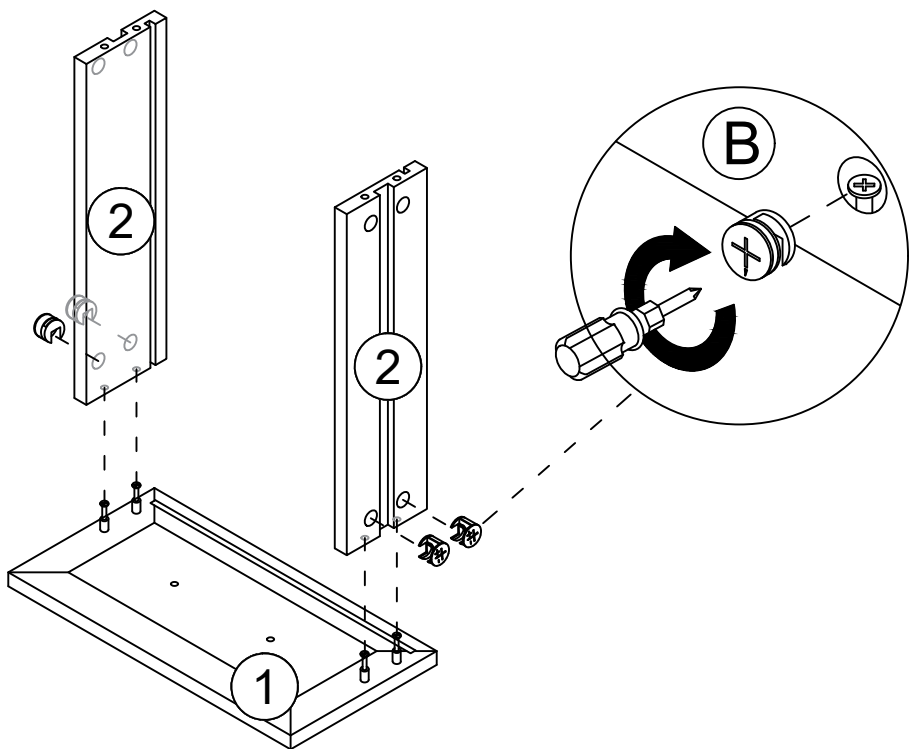
Disassemble along the direction of "-" sign

Step 1

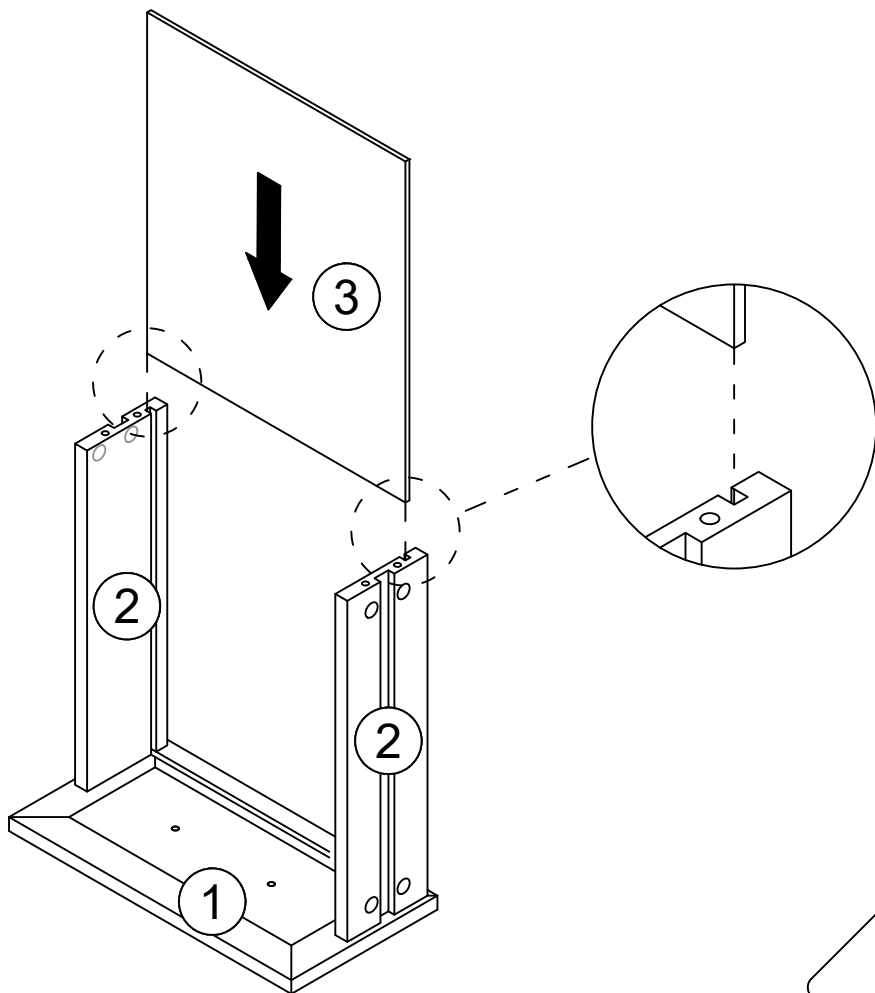


# Step 2

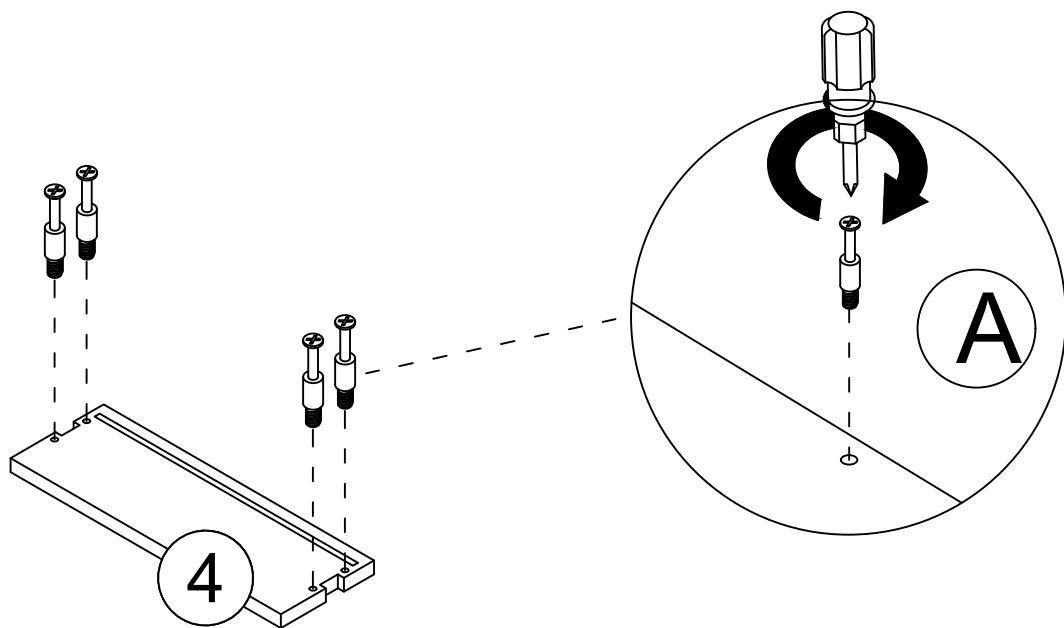
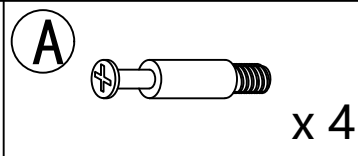
**B**  x 4



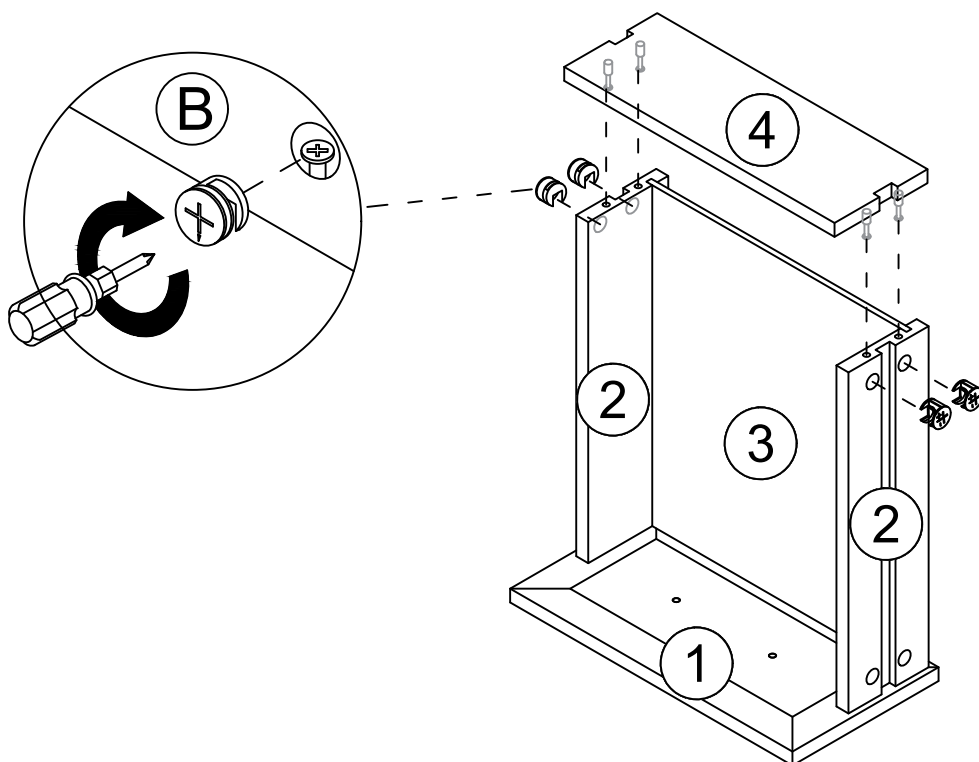
# Step 3



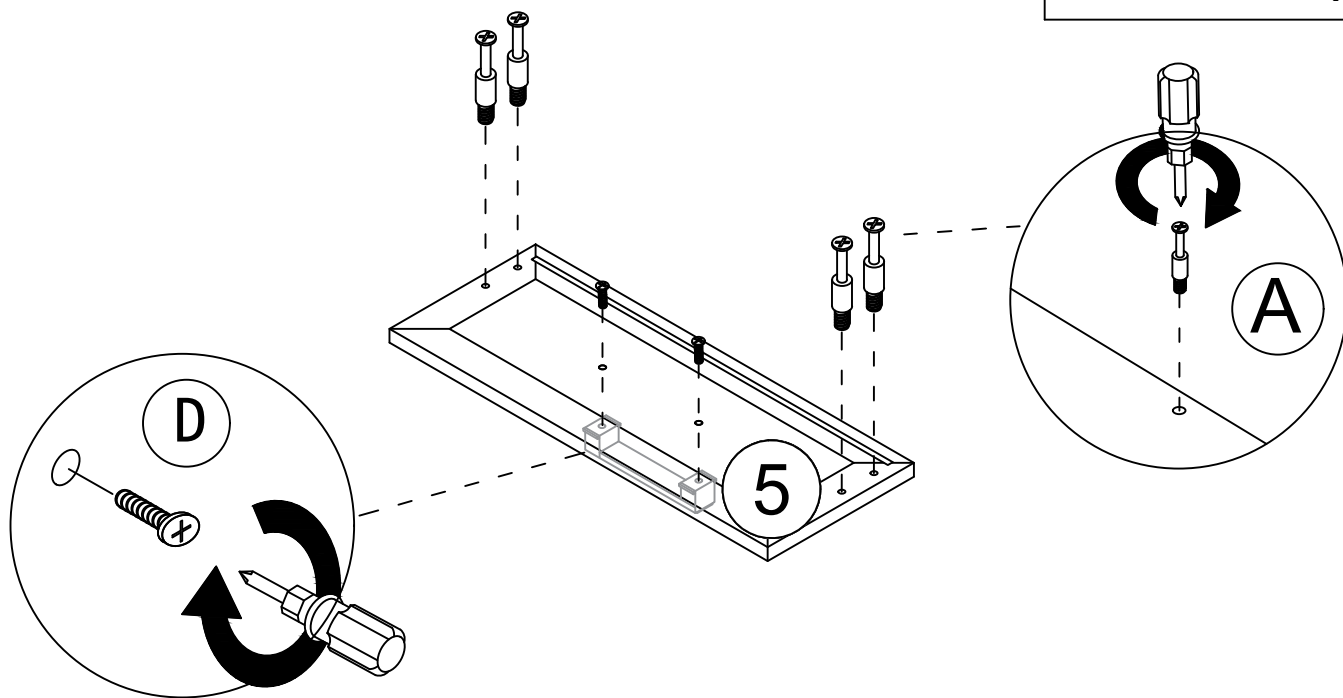
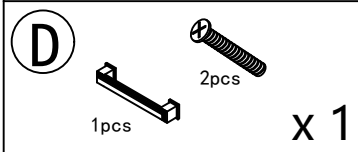
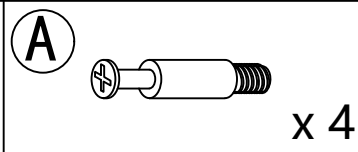
# Step 4



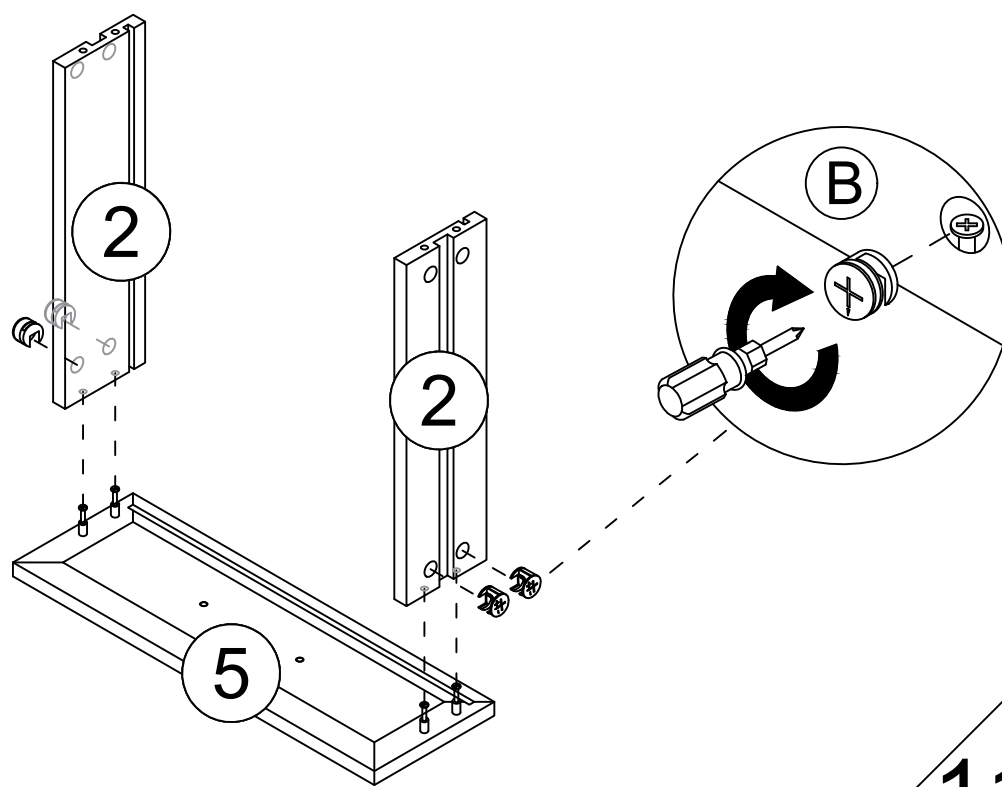
# Step 5



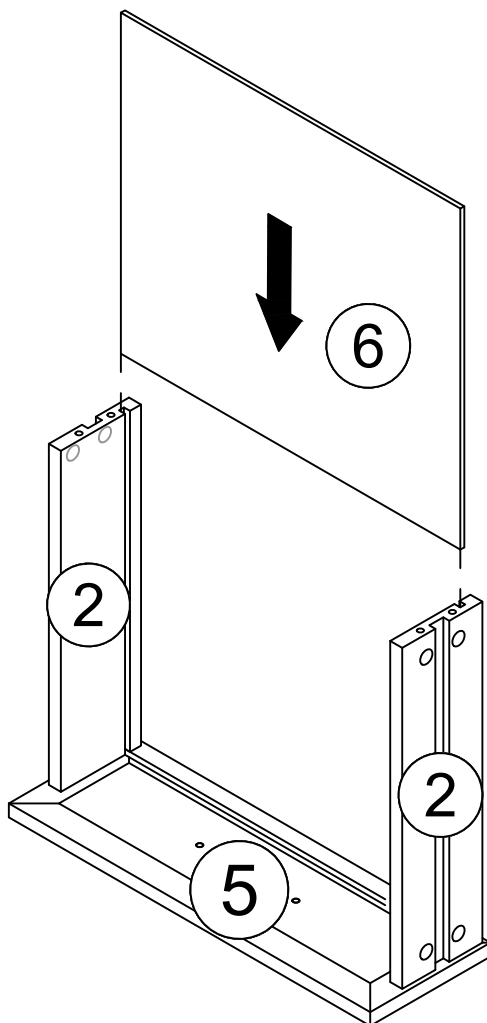
# Step 6



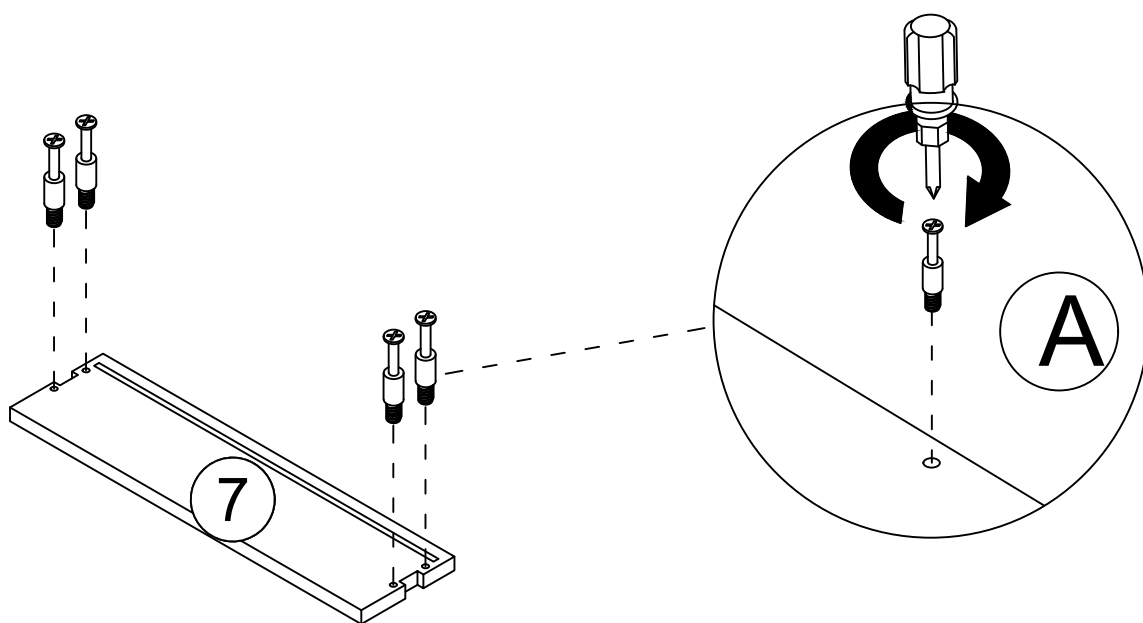
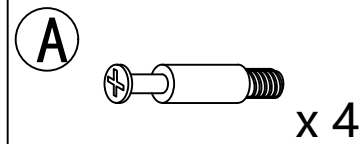
# Step 7



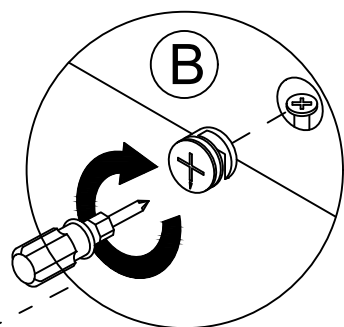
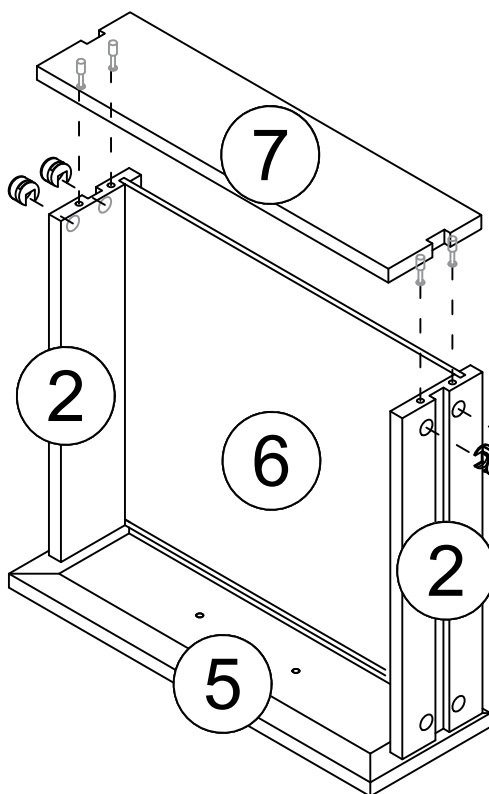
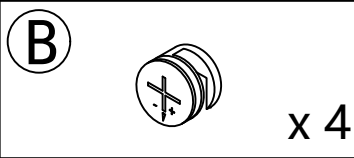
# Step 8



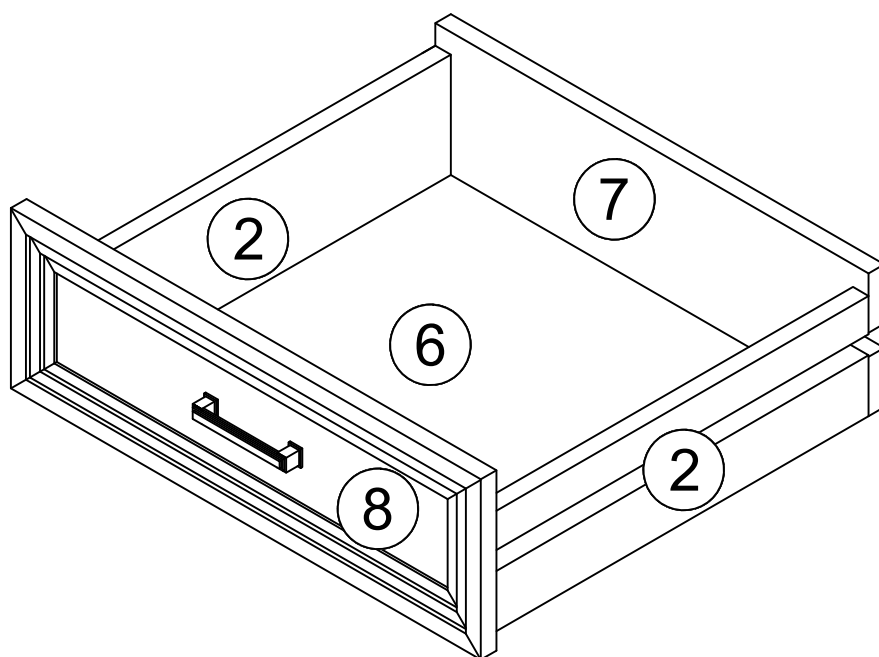
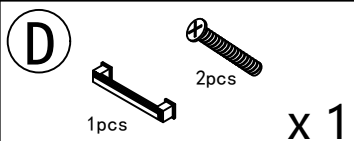
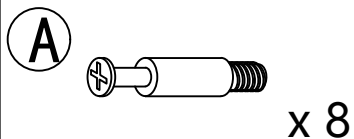
# Step 9



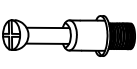



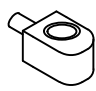






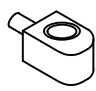








# Step 10

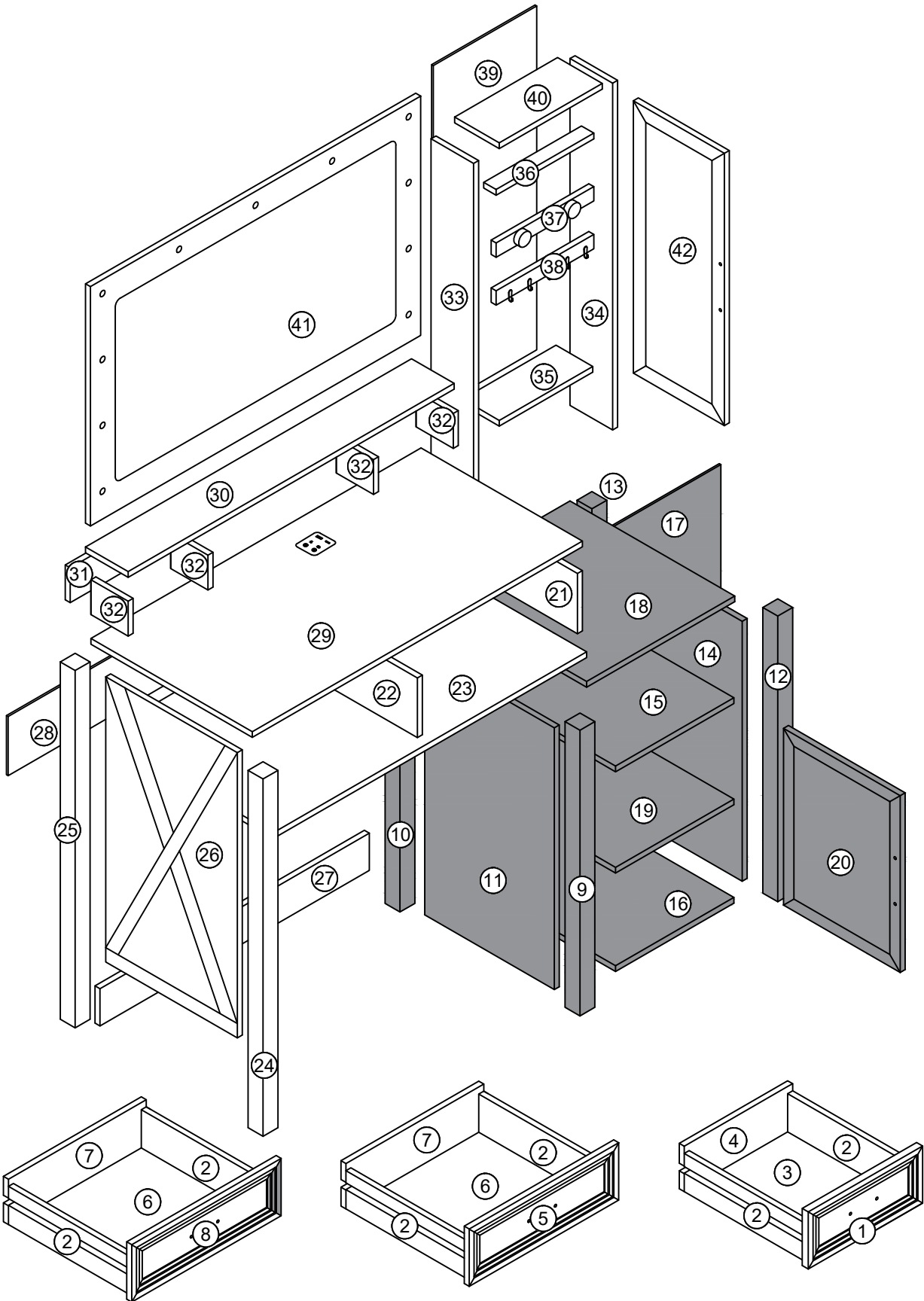


# Step 11

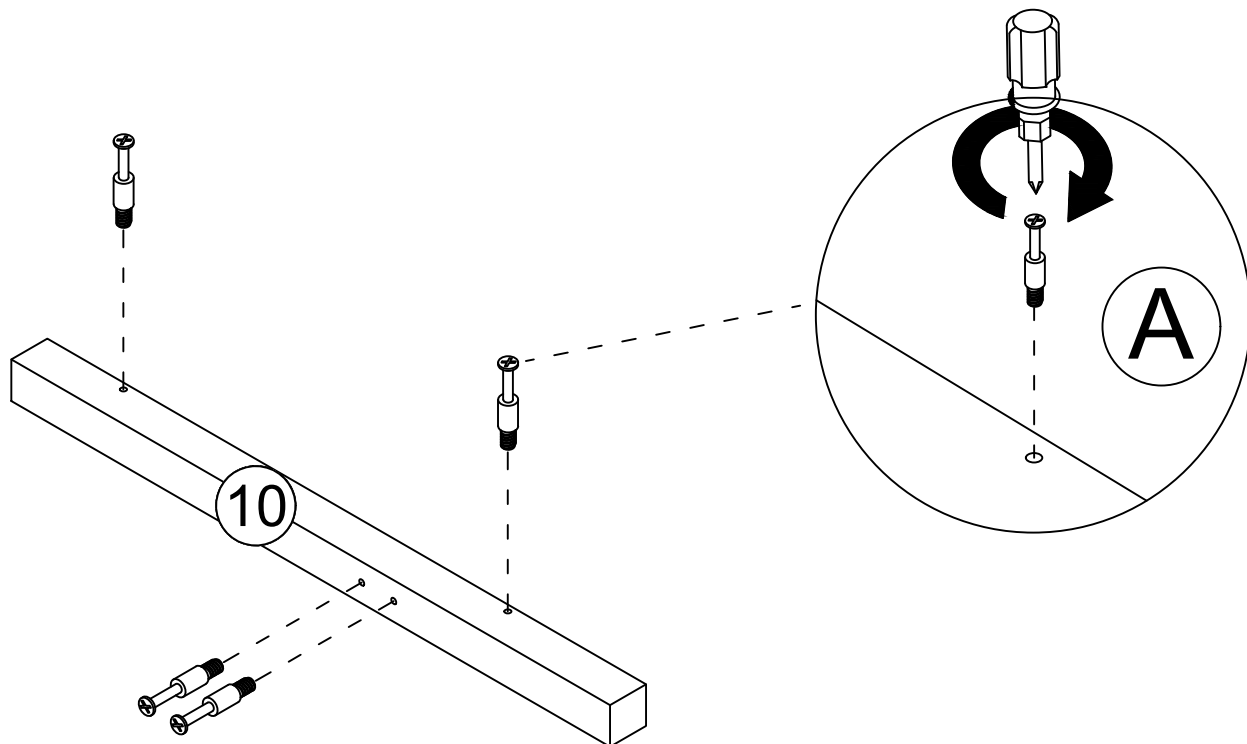
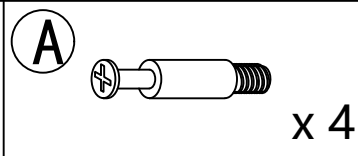


Repeat the drawer installation steps

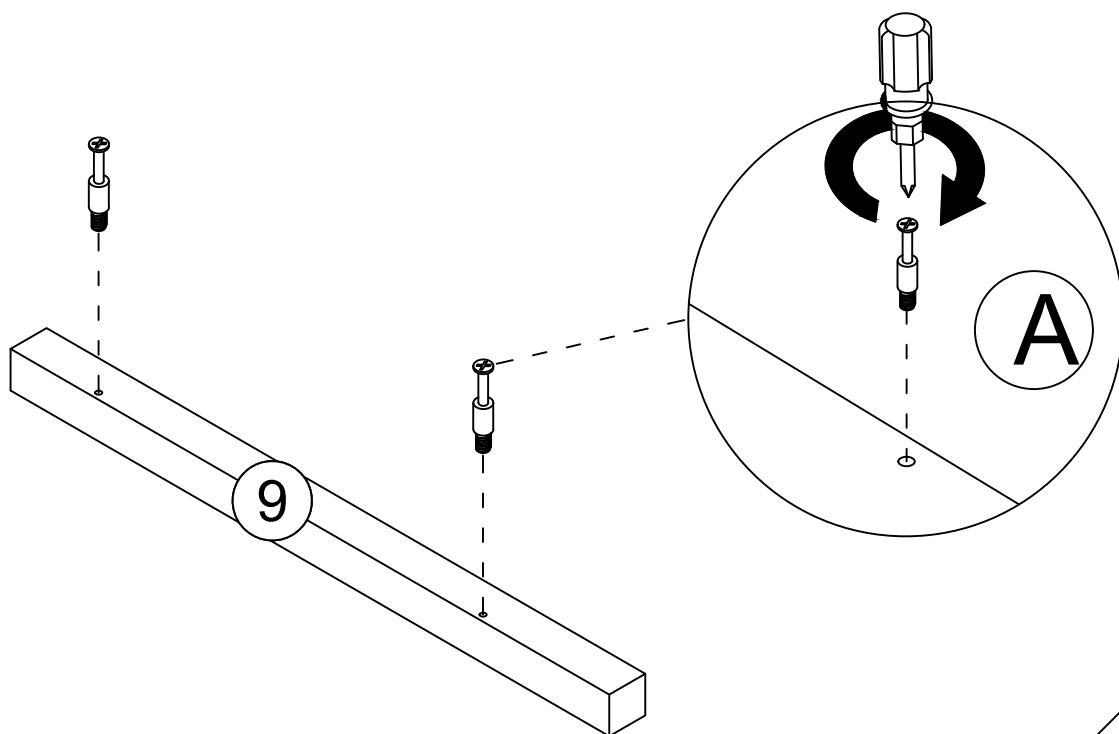
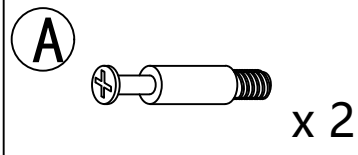
<b>A</b>  26pcs	<b>B</b>  20pcs	<b>E</b>  2pcs	<b>F</b>  1pcs	<b>G</b>  4pcs	<b>H</b>  2pcs	<b>I</b>  1pcs	<b>W</b>  1pcs	 8pcs	 8pcs	
<b>F</b>  2pcs	<b>G</b>  4pcs	<b>H</b>  2pcs	<b>I</b>  1pcs	<b>W</b>  1pcs						
<b>I</b>  1pcs	 2pcs	<b>W</b>  1pcs	 1pcs	 2pcs						



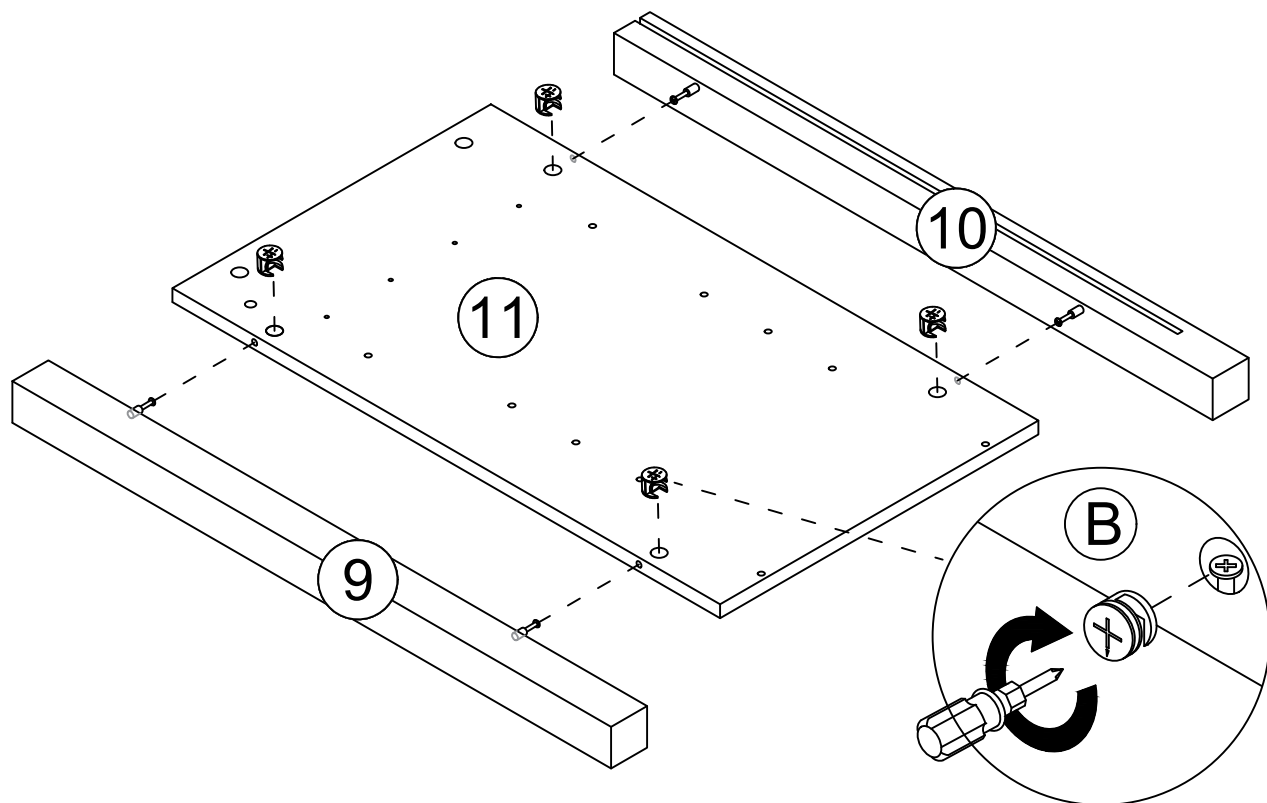
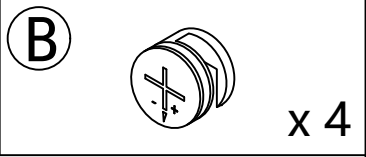
# Step 12



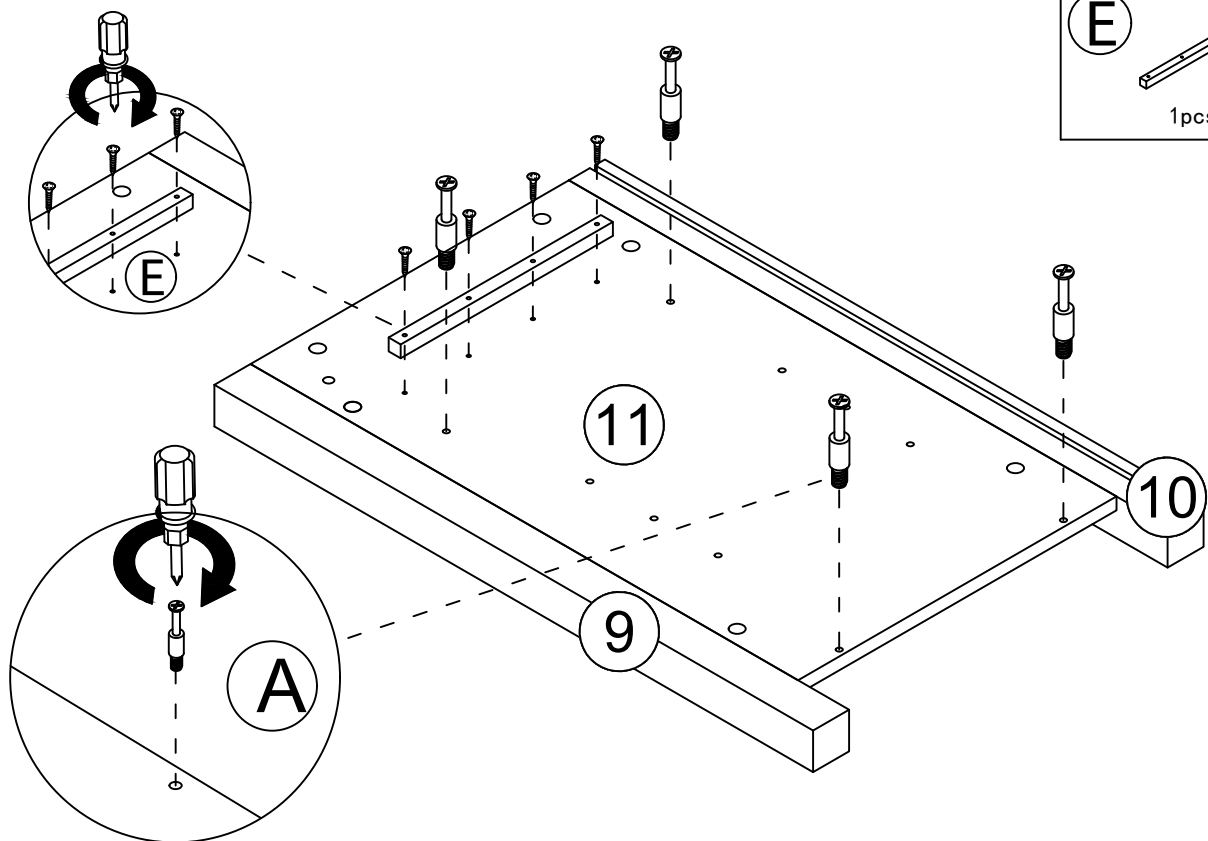
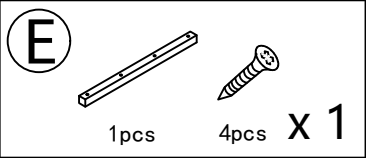
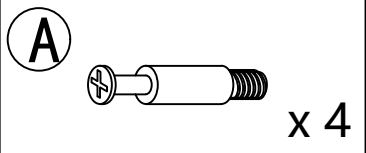
# Step 13



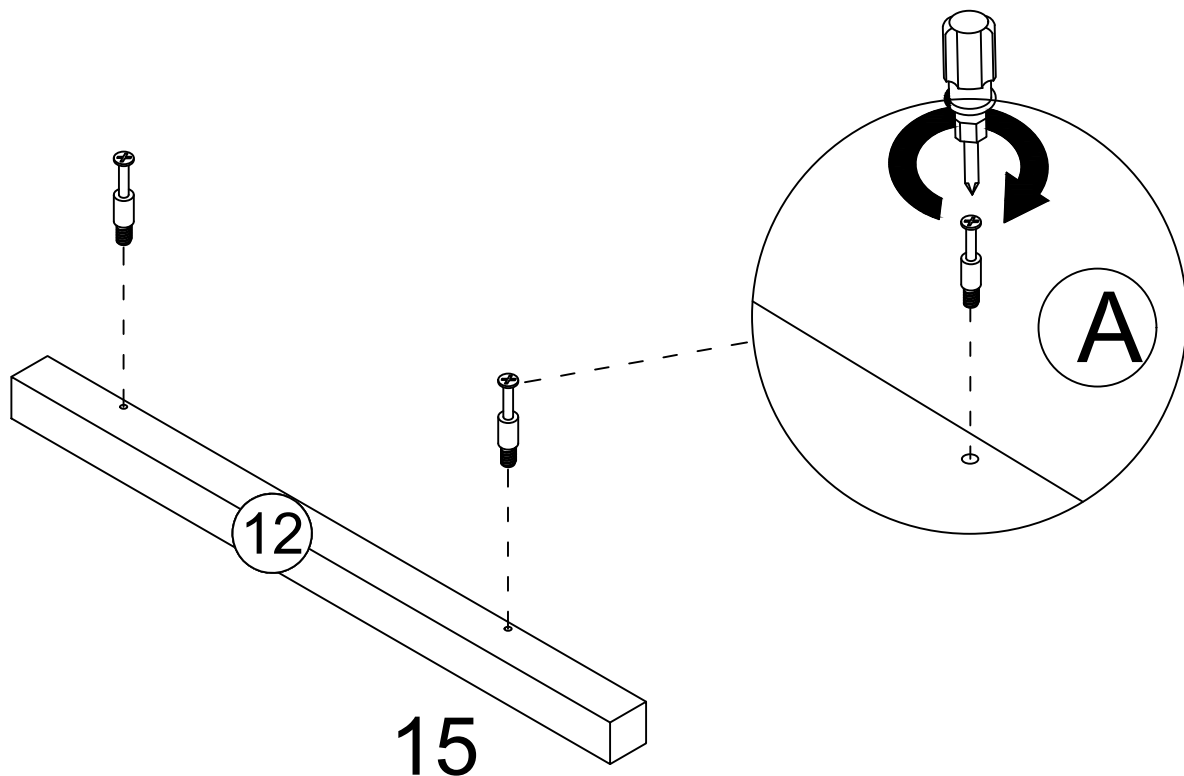
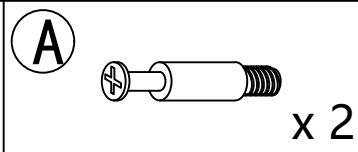
# Step 14



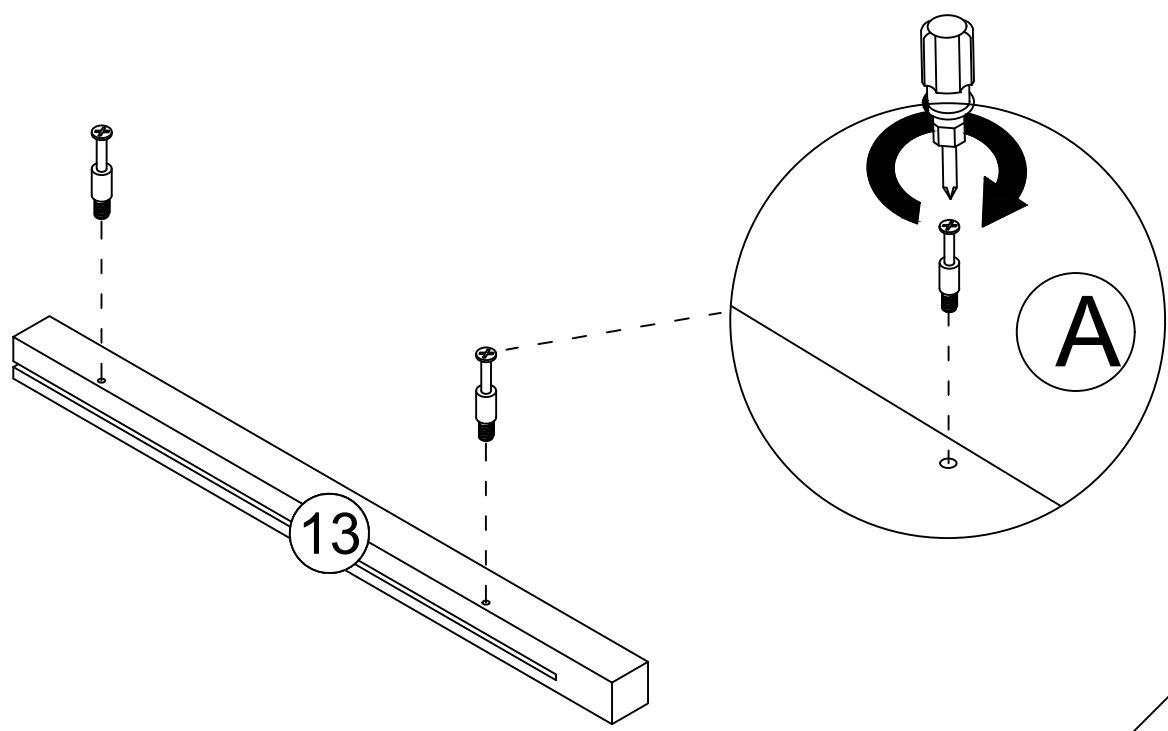
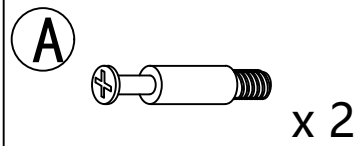
# Step 15



# Step 16



# Step 17

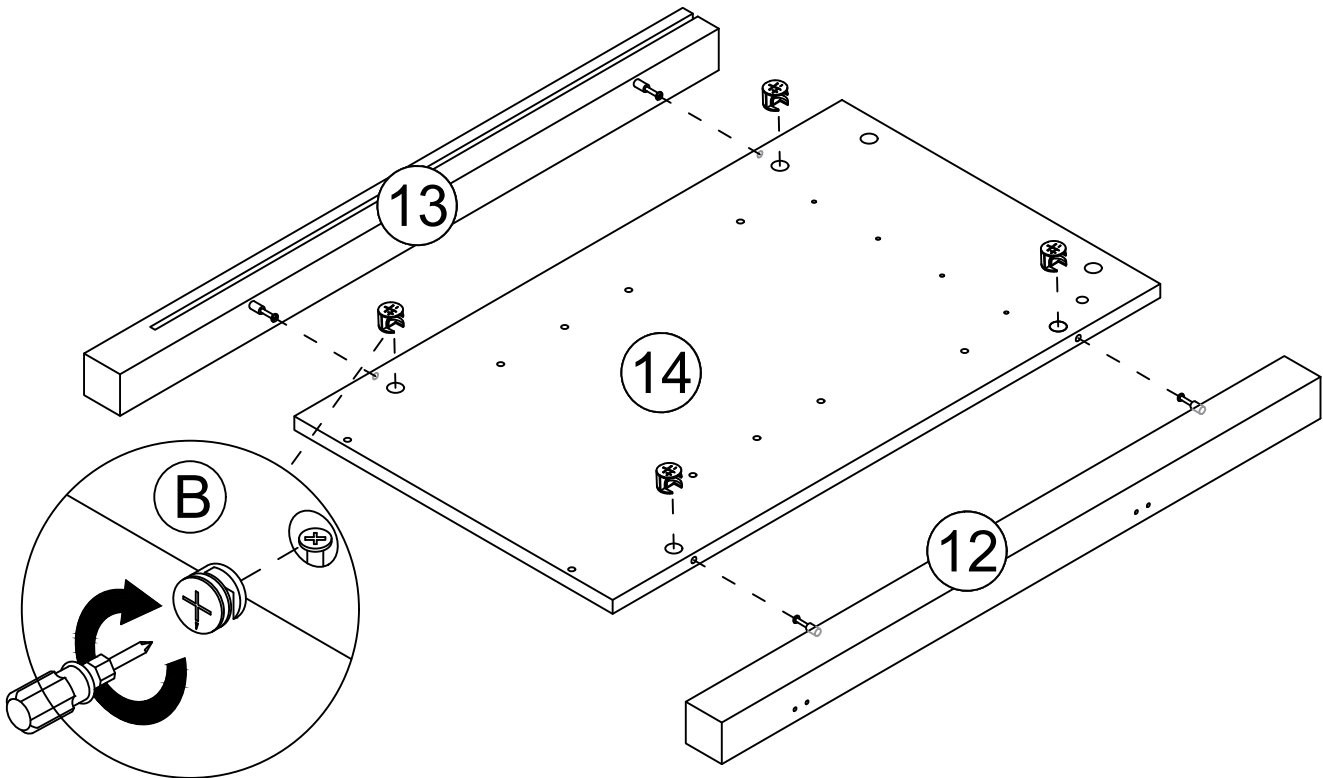


# Step 18

(B)

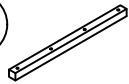


x 4



# Step 19

(E)



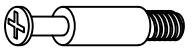
1pcs



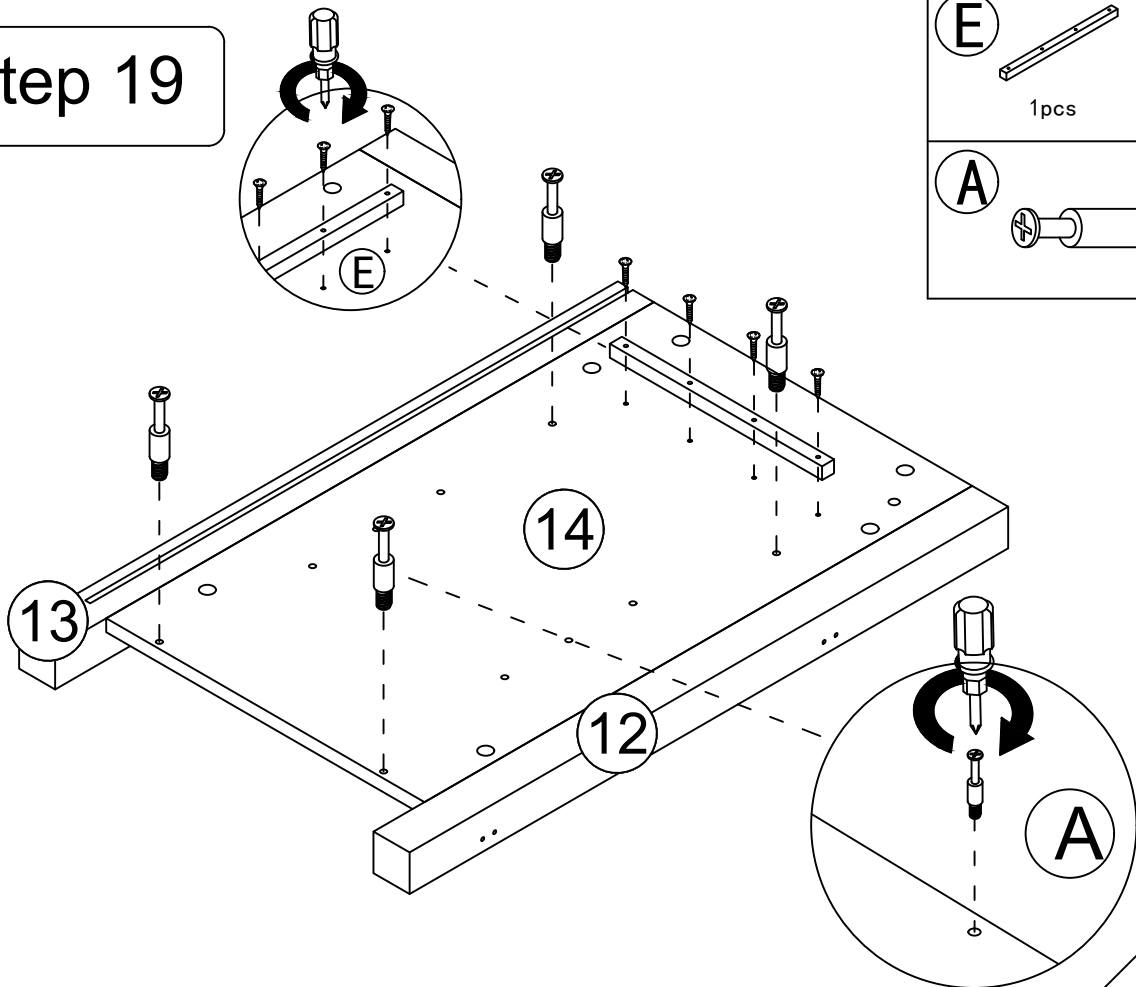
4pcs

x 1

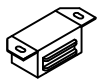

(A)

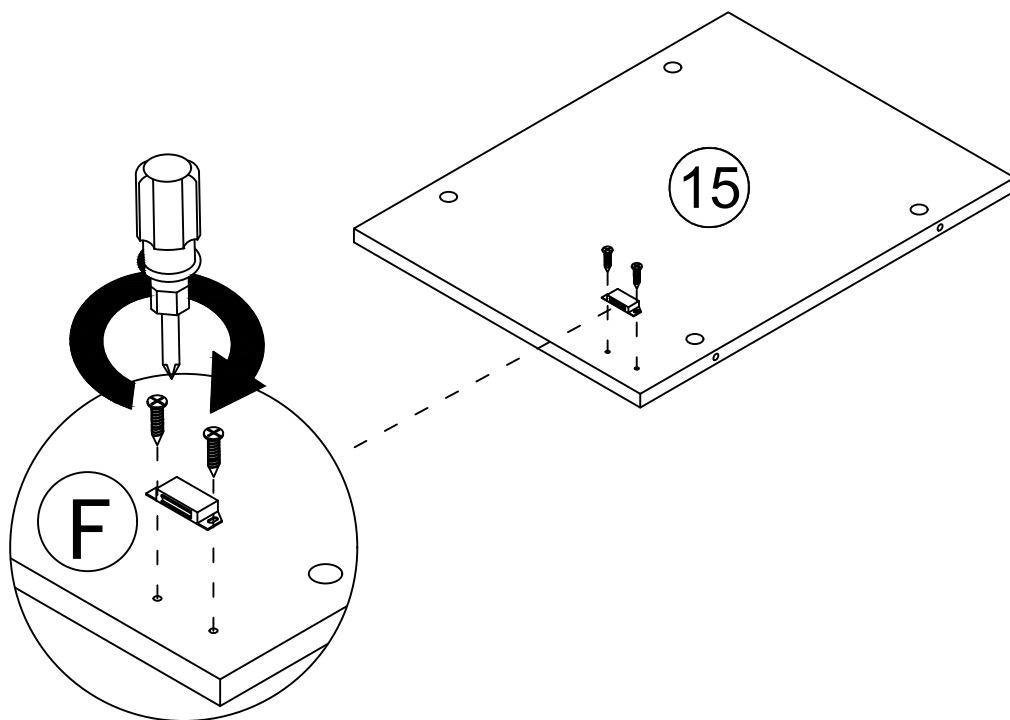


x 4



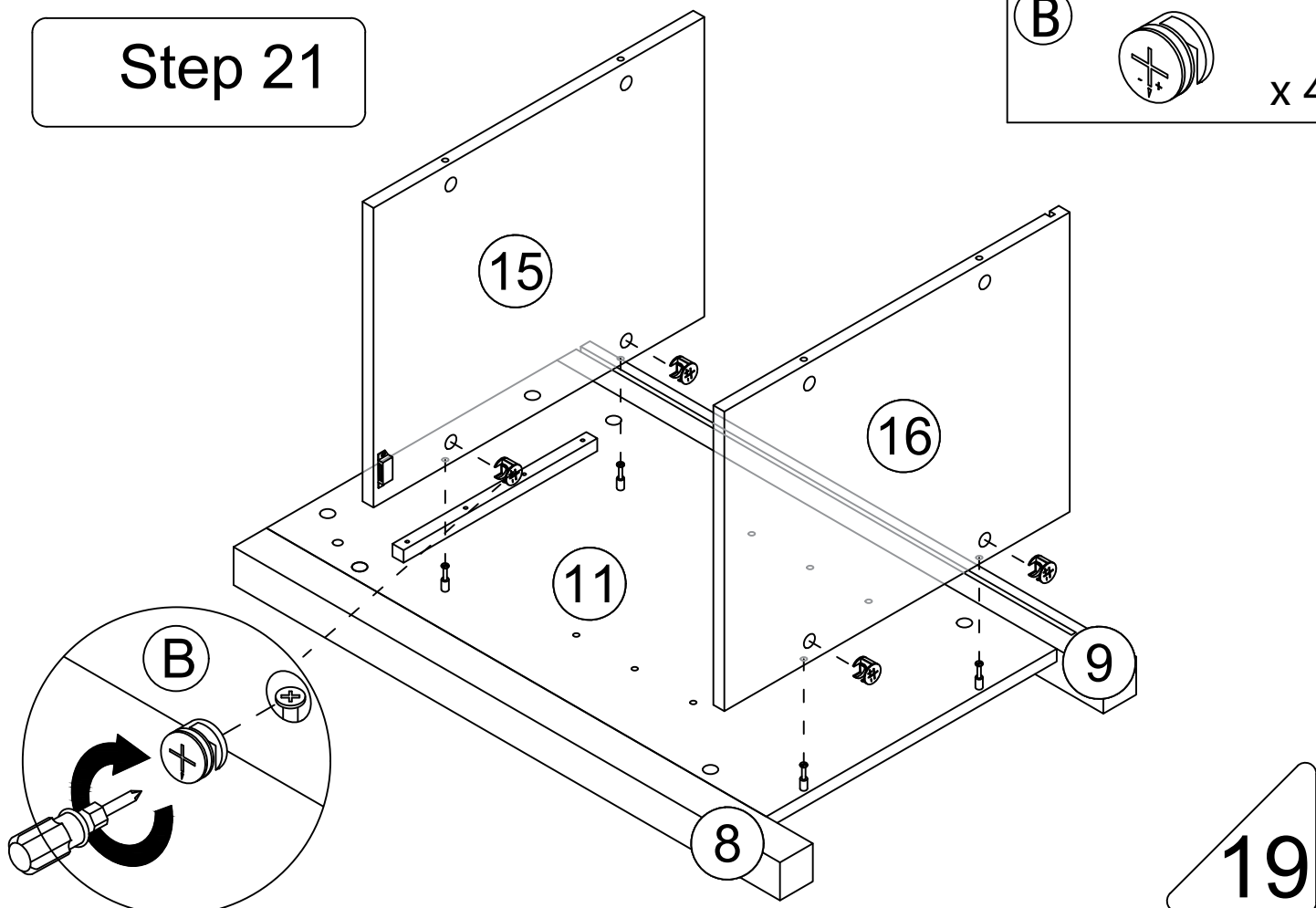
# Step 20

- (F)  x 1
-  x 2



# Step 21

- (B)  x 4

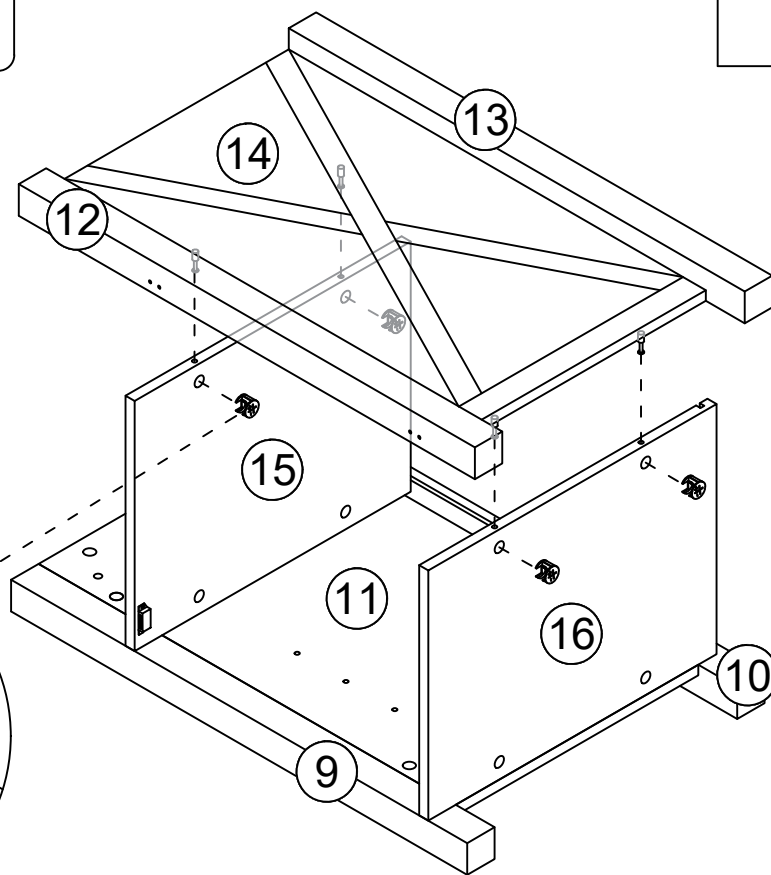
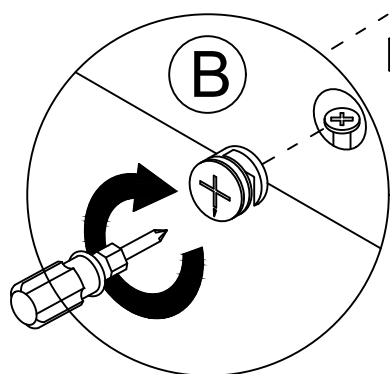


# Step 22

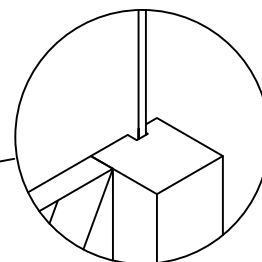
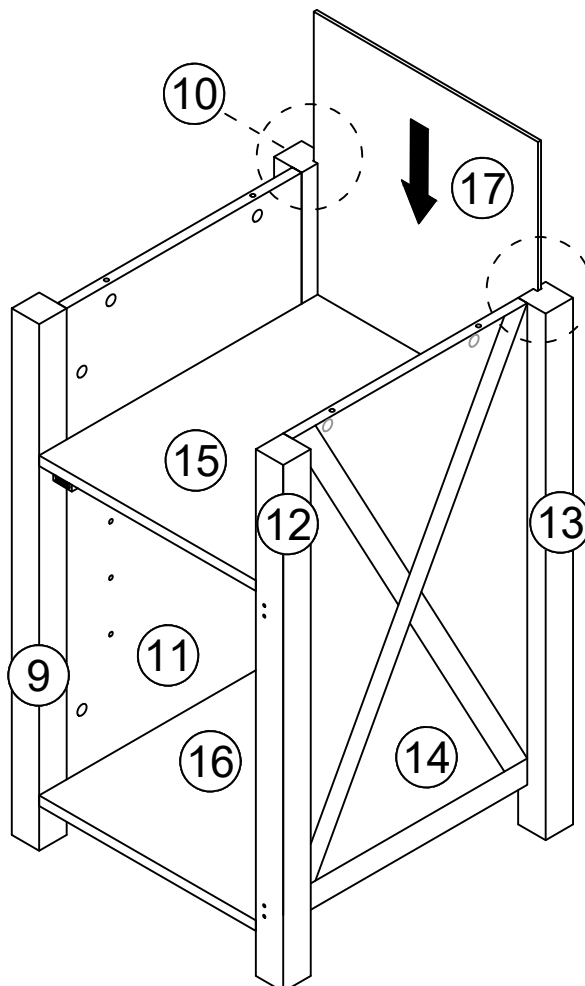
**B**



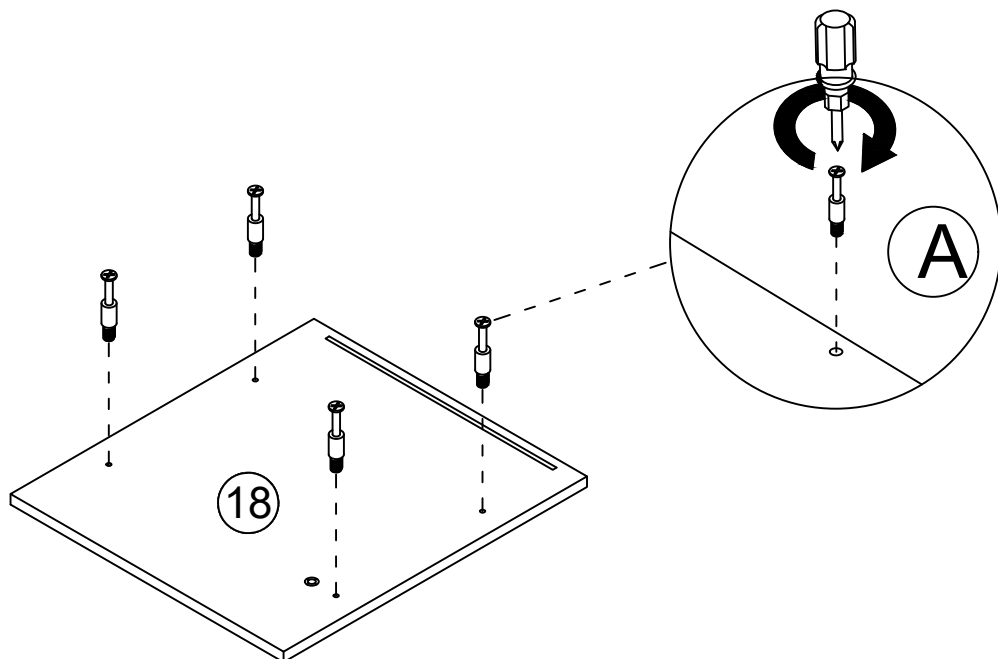
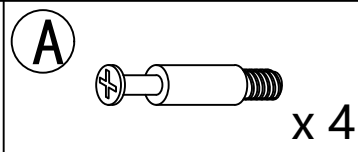
x 4



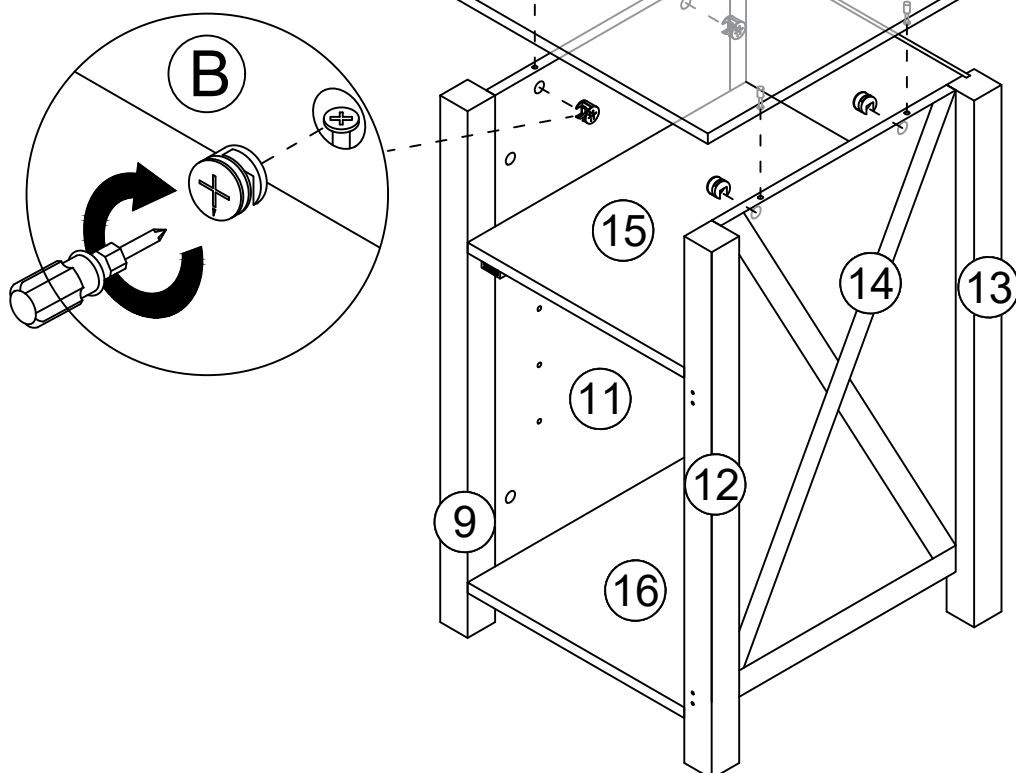
# Step 23



# Step 24

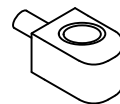


# Step 25

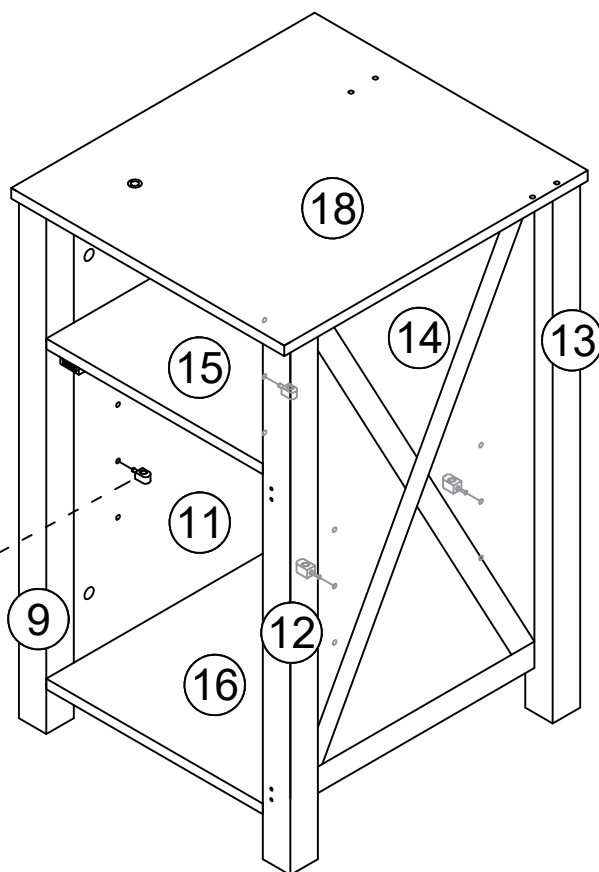
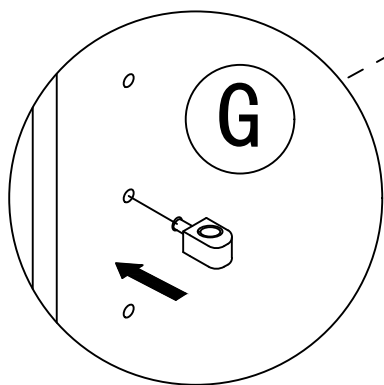


# Step 26

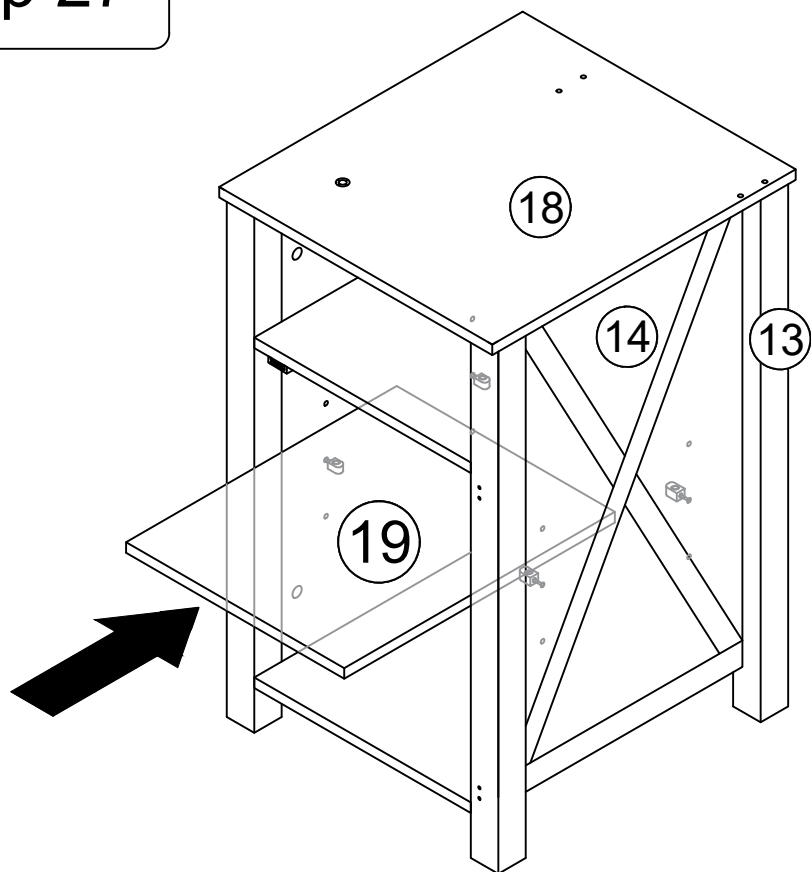
G



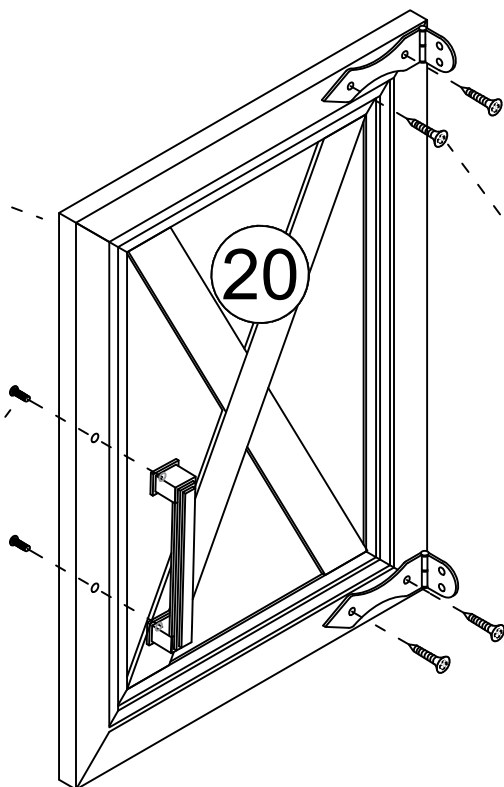
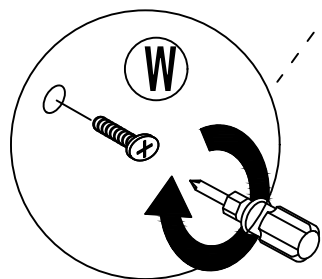
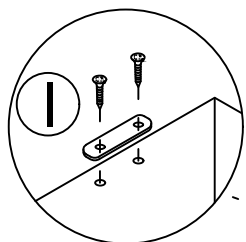
x 4



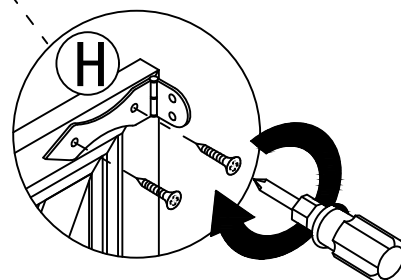
# Step 27



# Step 28

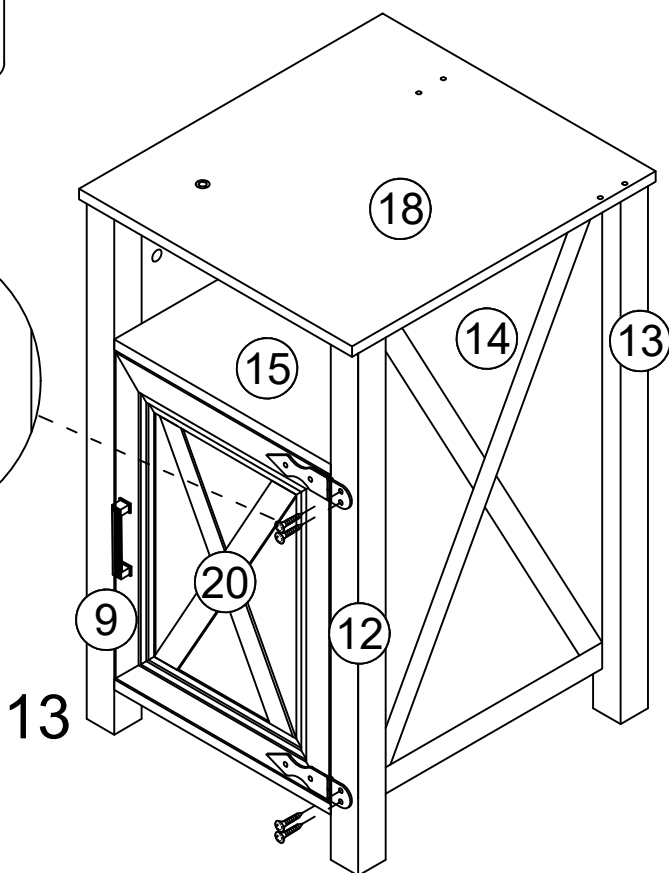
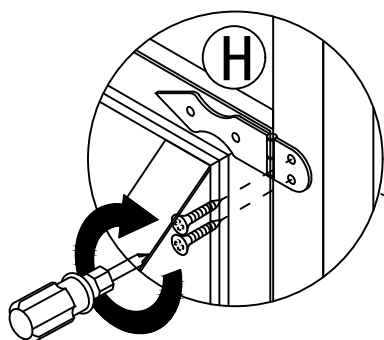


<b>(H)</b>			1pcs	2pcs	x 2
<b>(I)</b>			x1	x2	
<b>(W)</b>			1pcs	2pcs	x 1



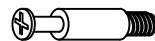
# Step 29

<b>(H)</b>		x 4
------------	--	-----

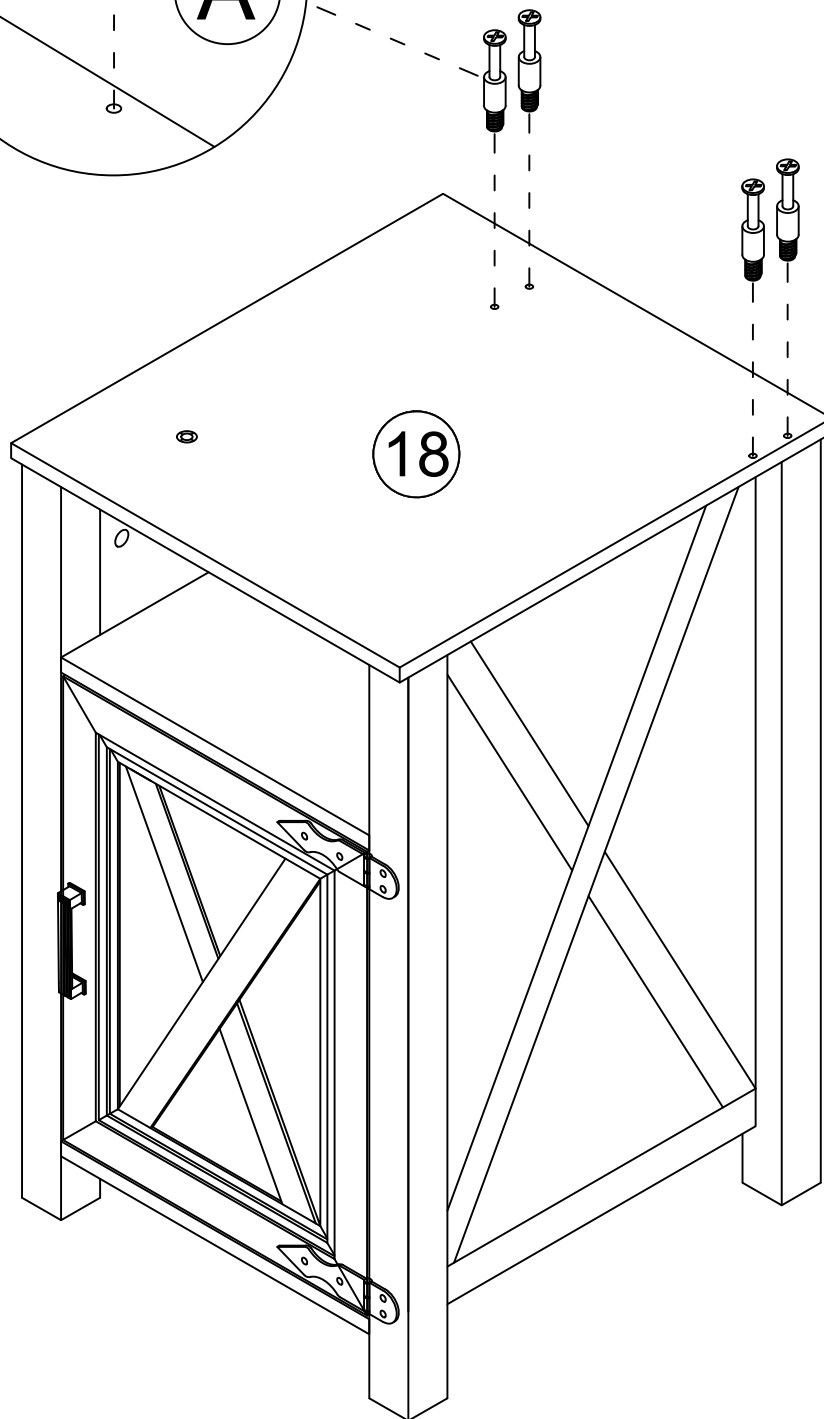
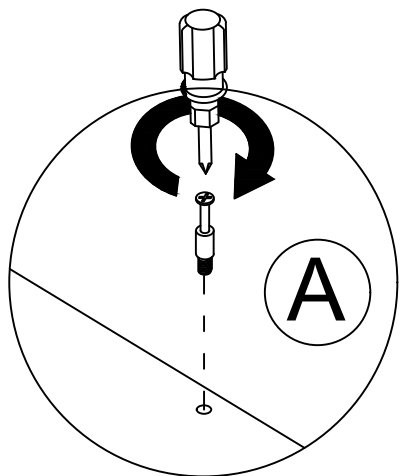


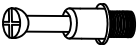

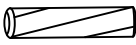
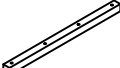


# Step 30

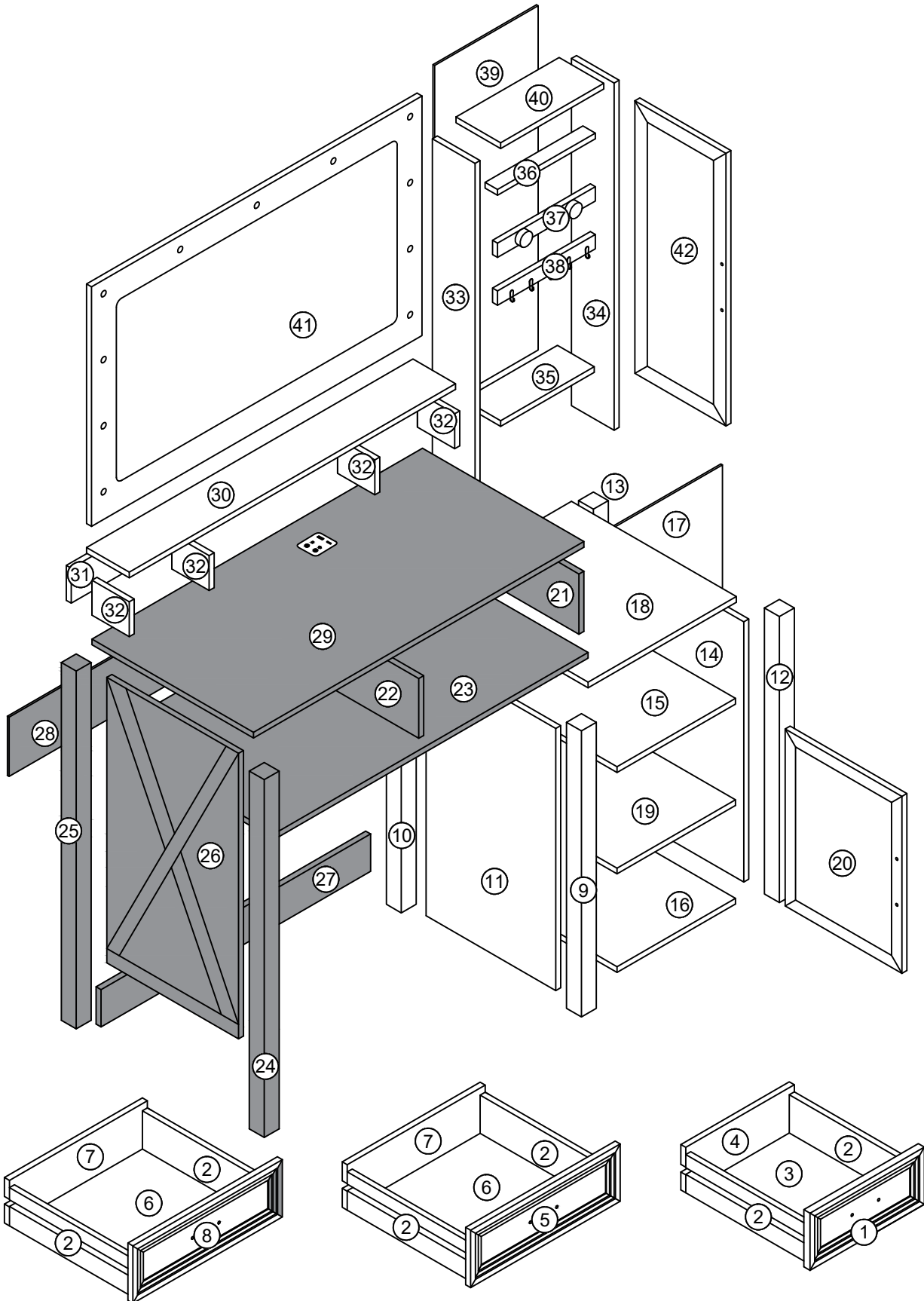
A



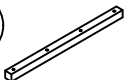

x 4

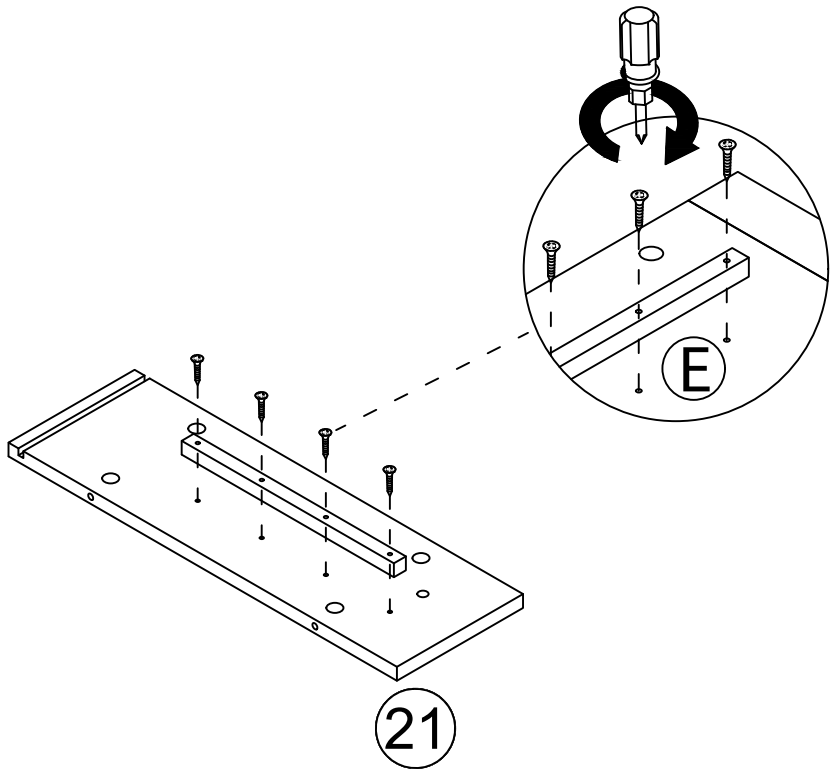


A		20pcs	B		22pcs	C		2pcs
E		4pcs	J		1pcs	K		6pcs



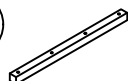

# Step 31

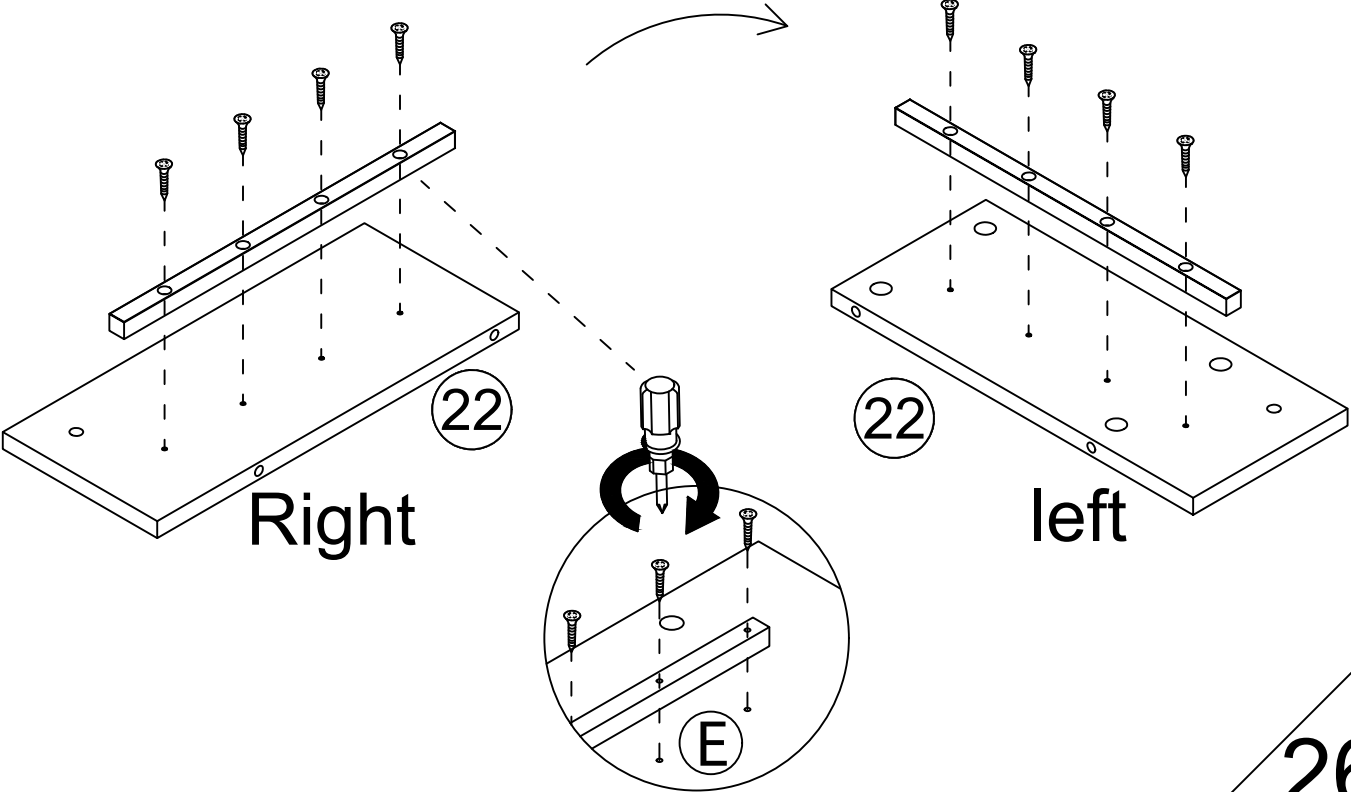
**E**   **X 1**  
1pc 4pcs



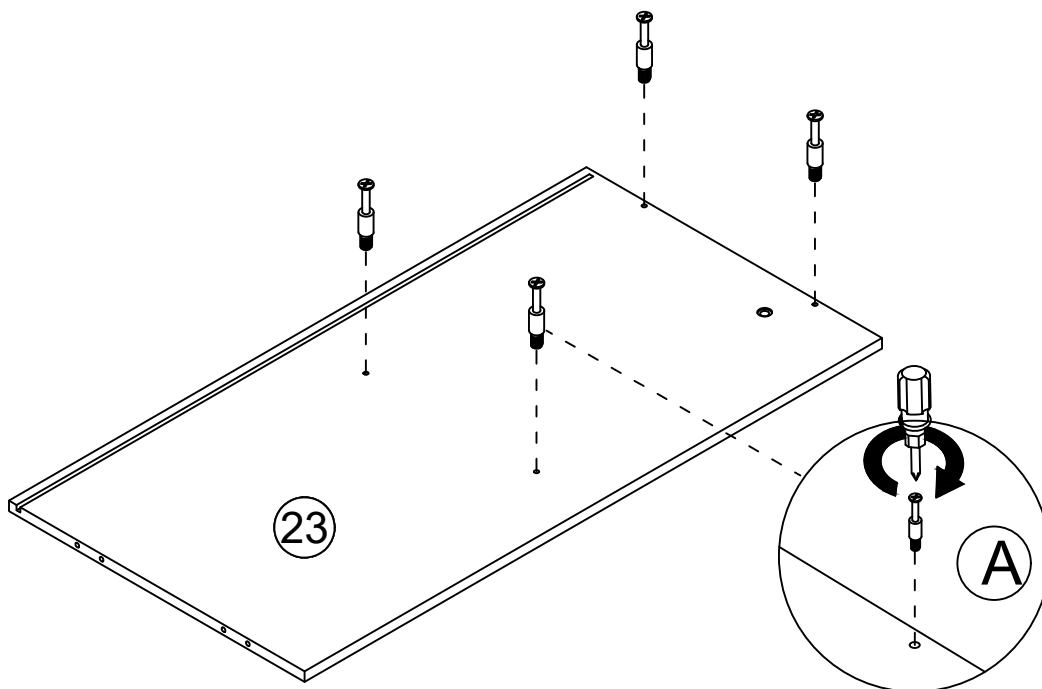
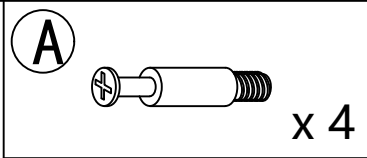
# Step 32

Flip it over

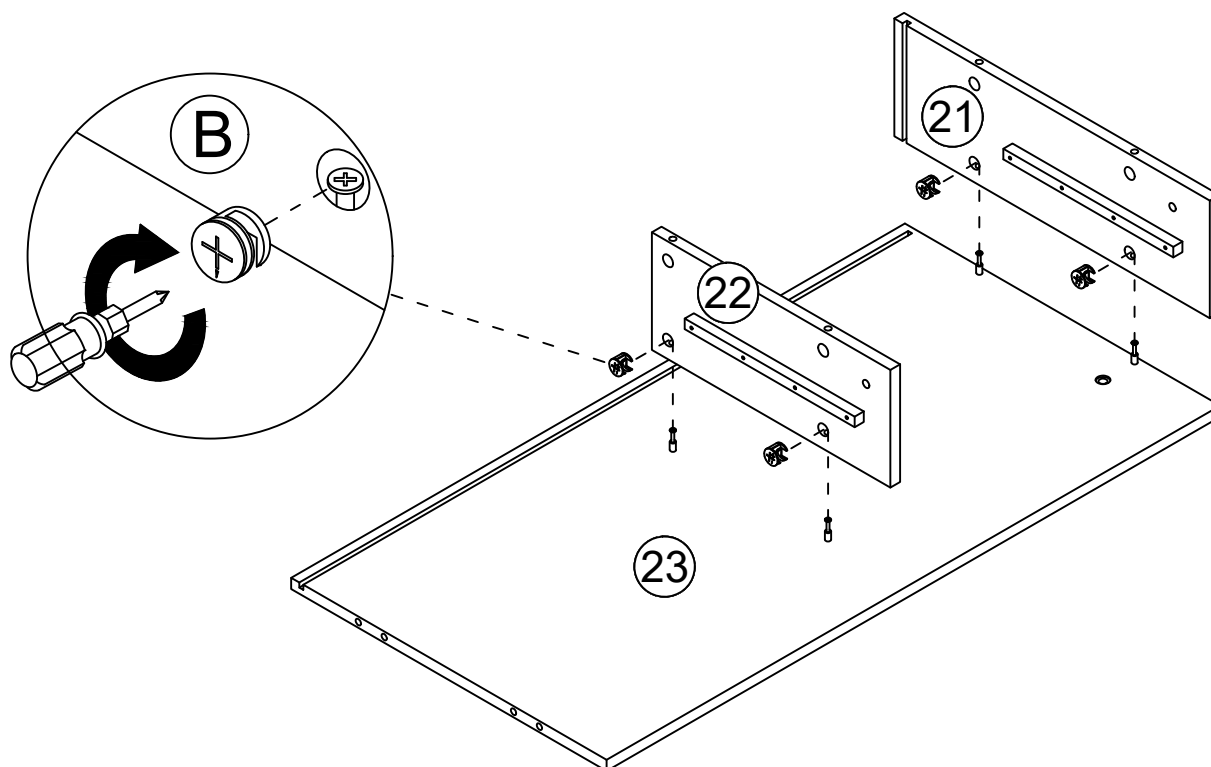
**E**   **X 2**  
1pc 4pcs



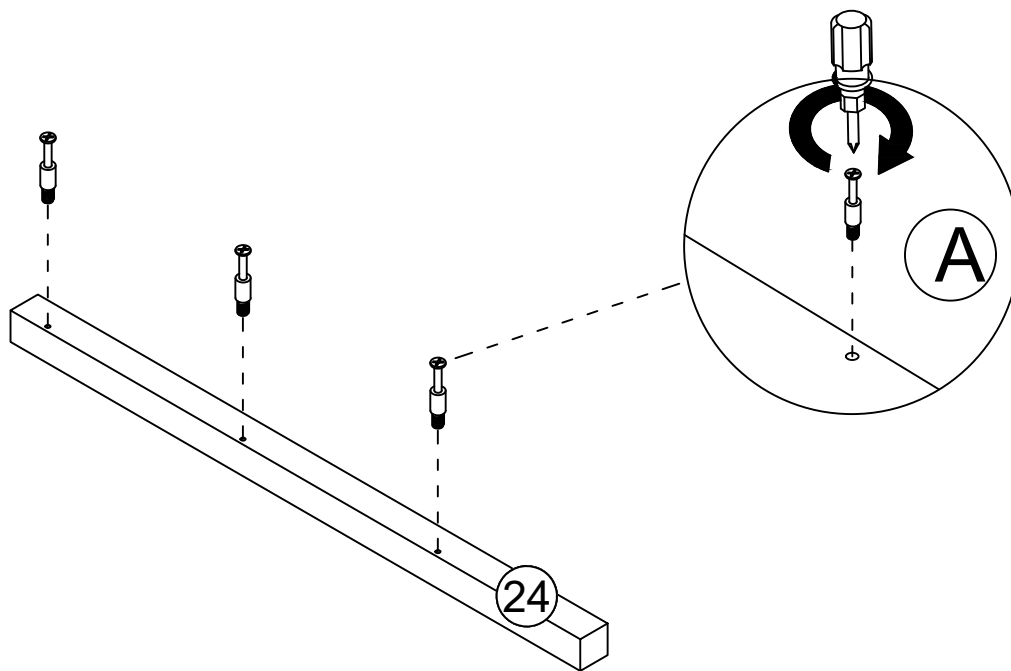
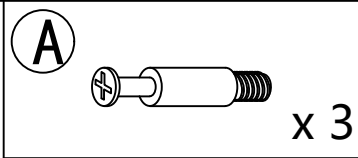
# Step 33



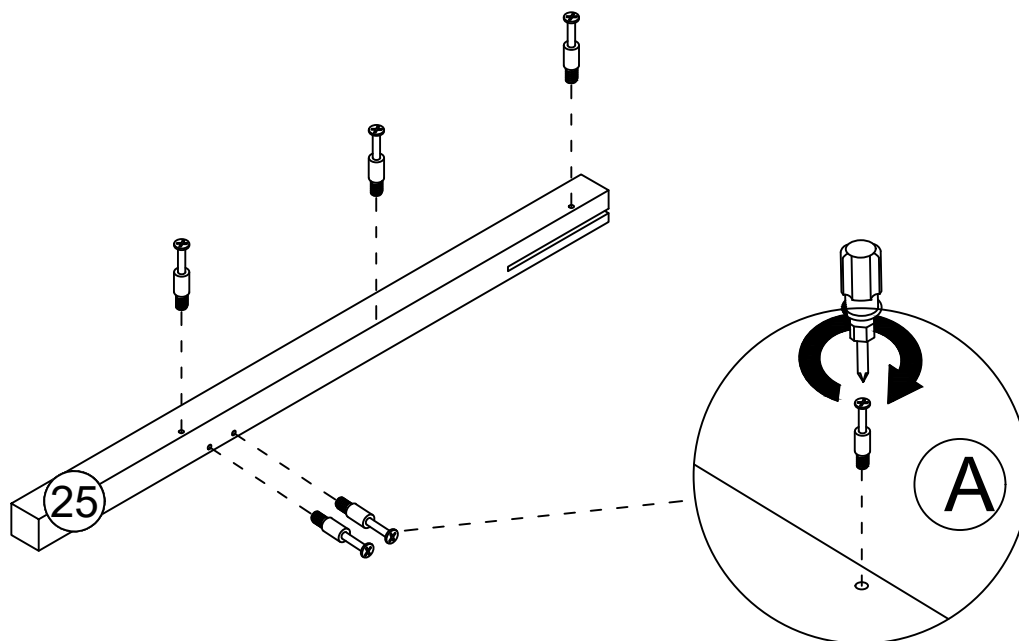
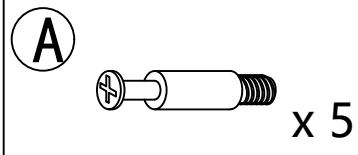
# Step 34



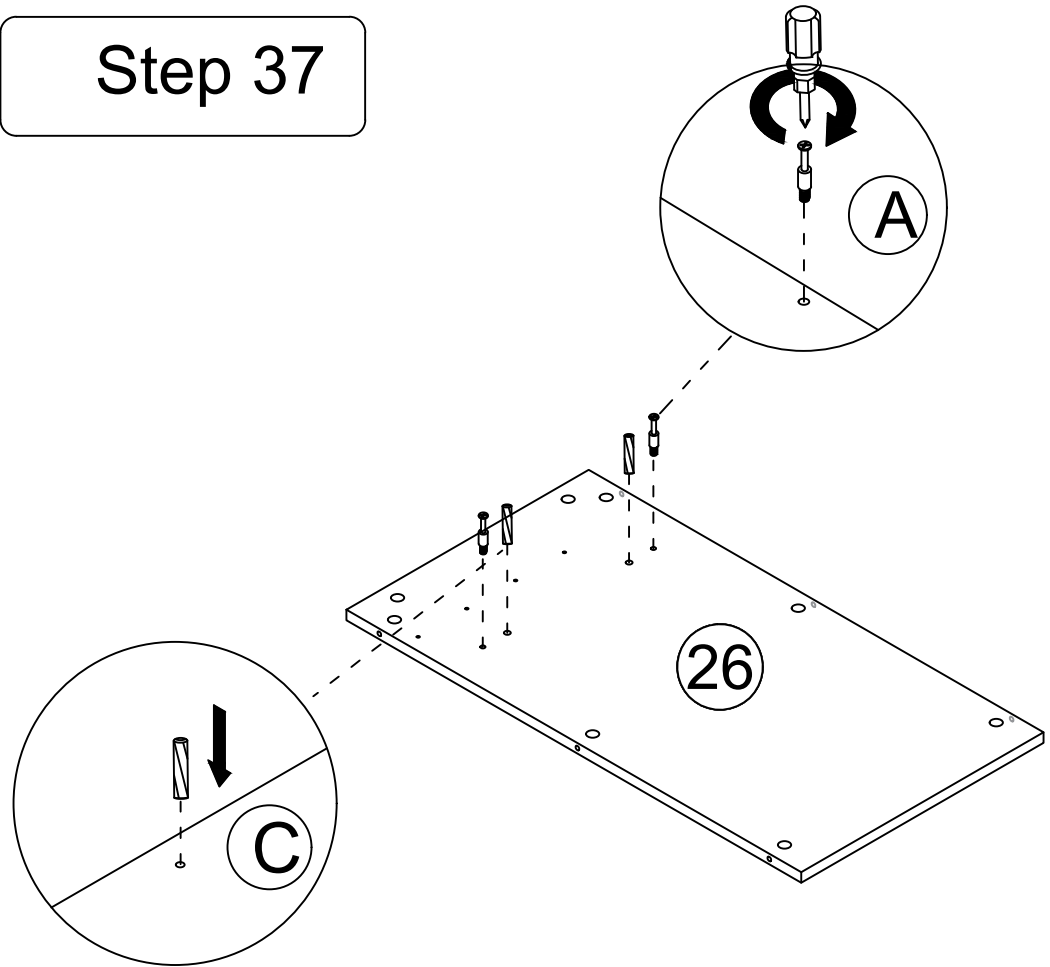
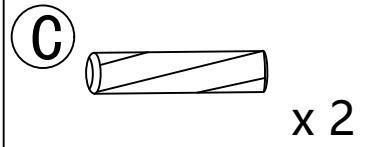
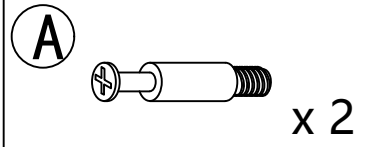
# Step 35



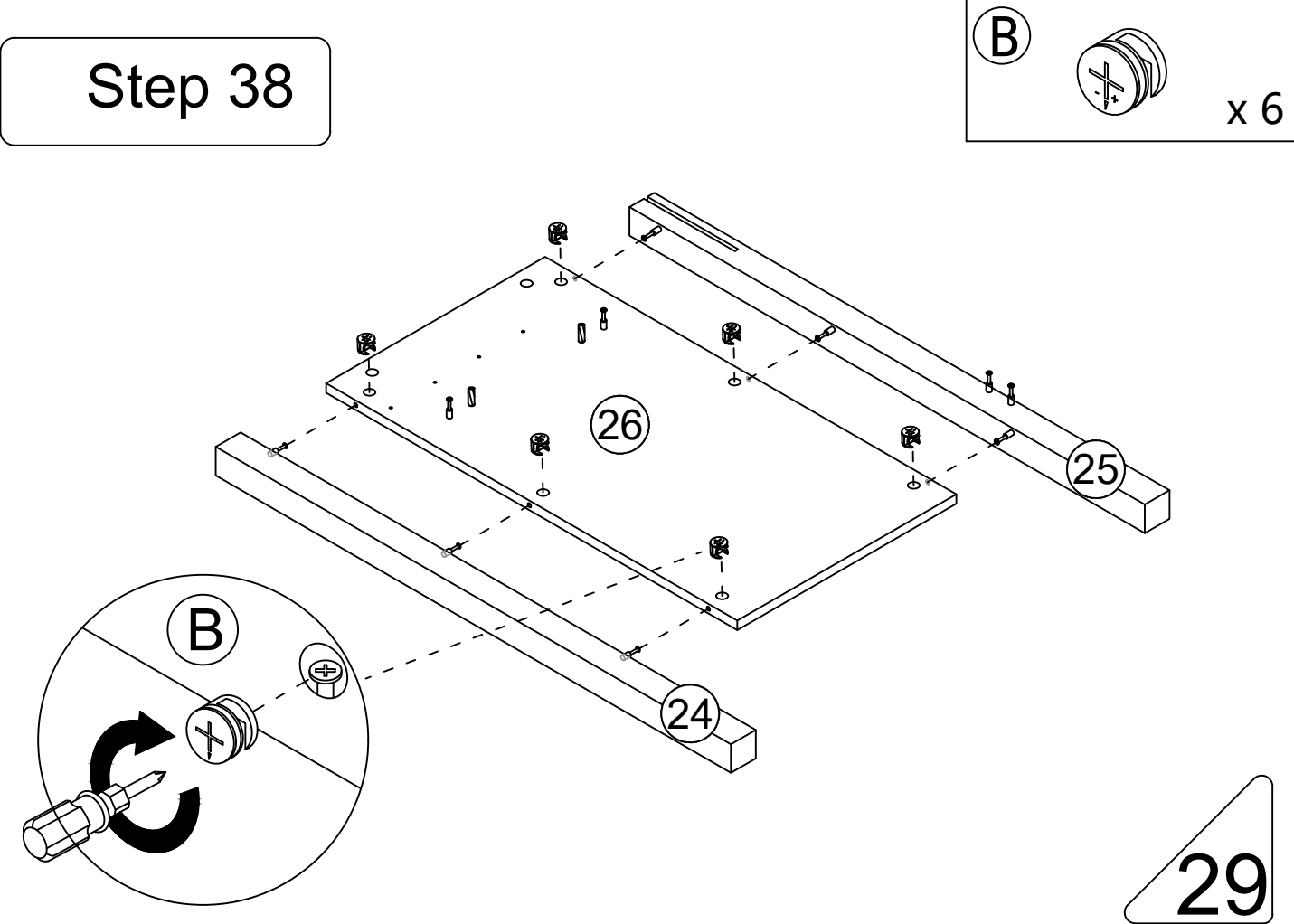
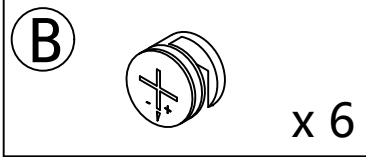
# Step 36





# Step 37

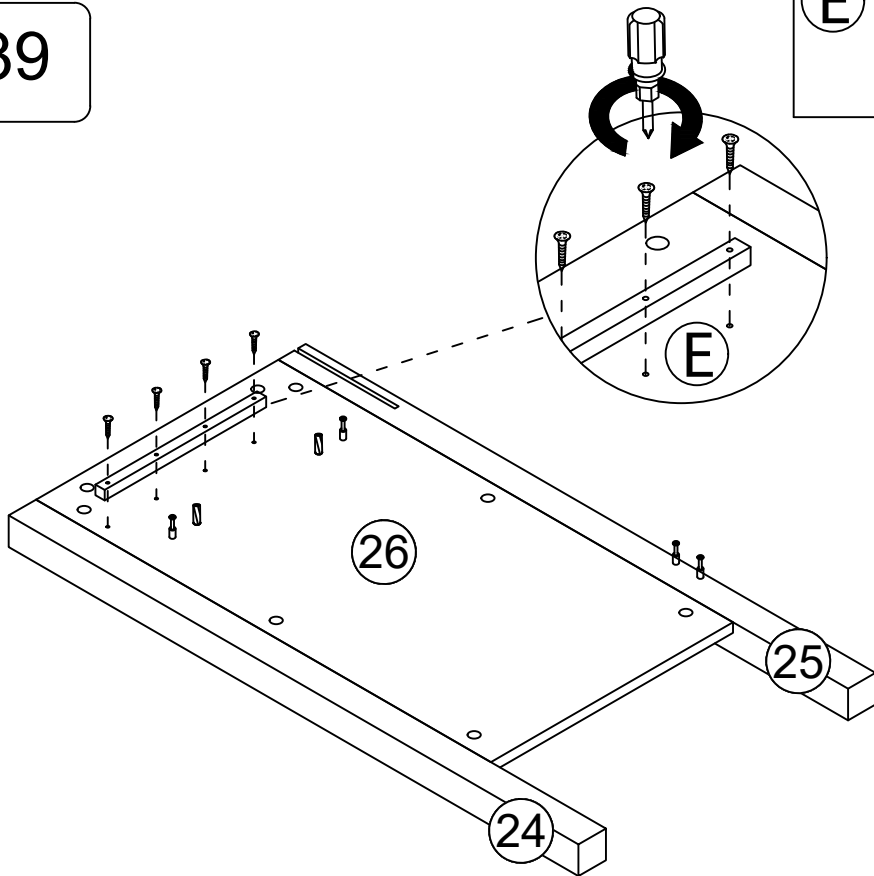


# Step 38




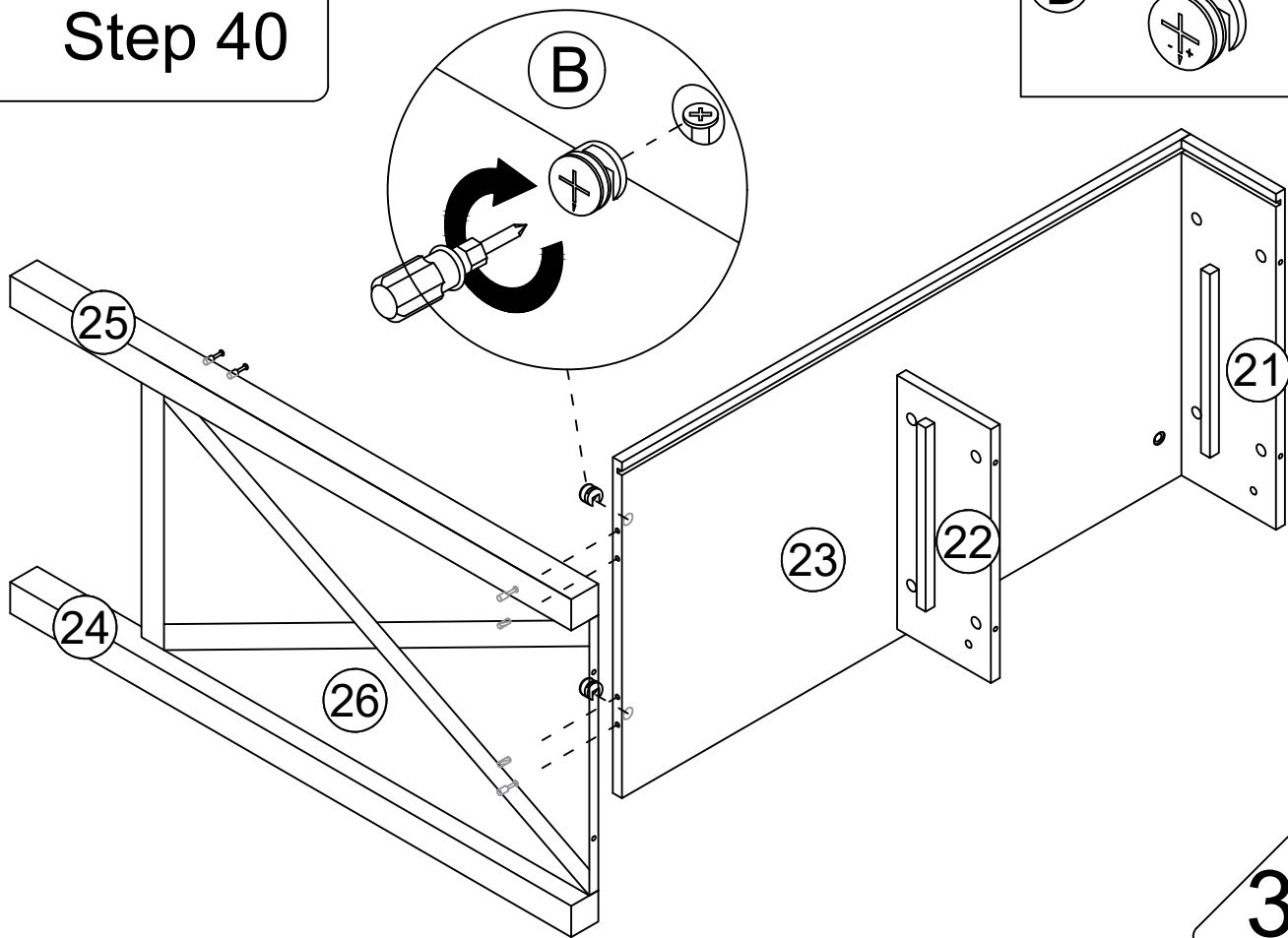
# Step 39

**E**  1pc  4pcs x 1



# Step 40

**B**  x 2

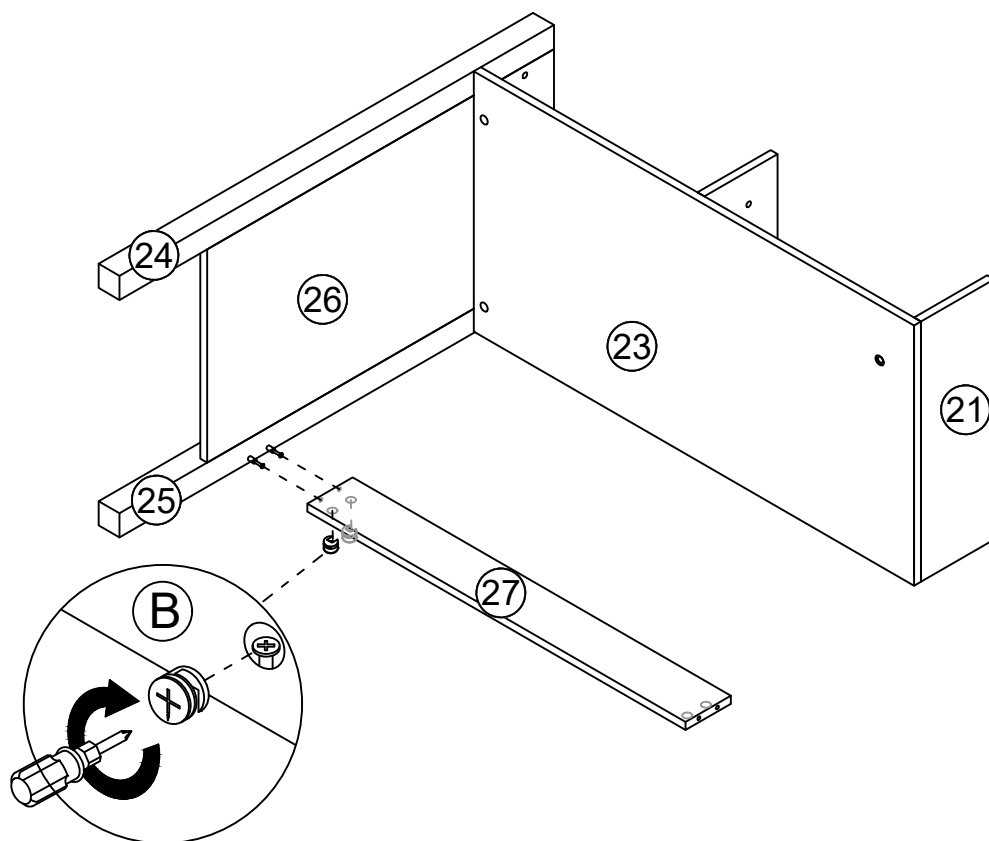


# Step 41

**B**



x 2

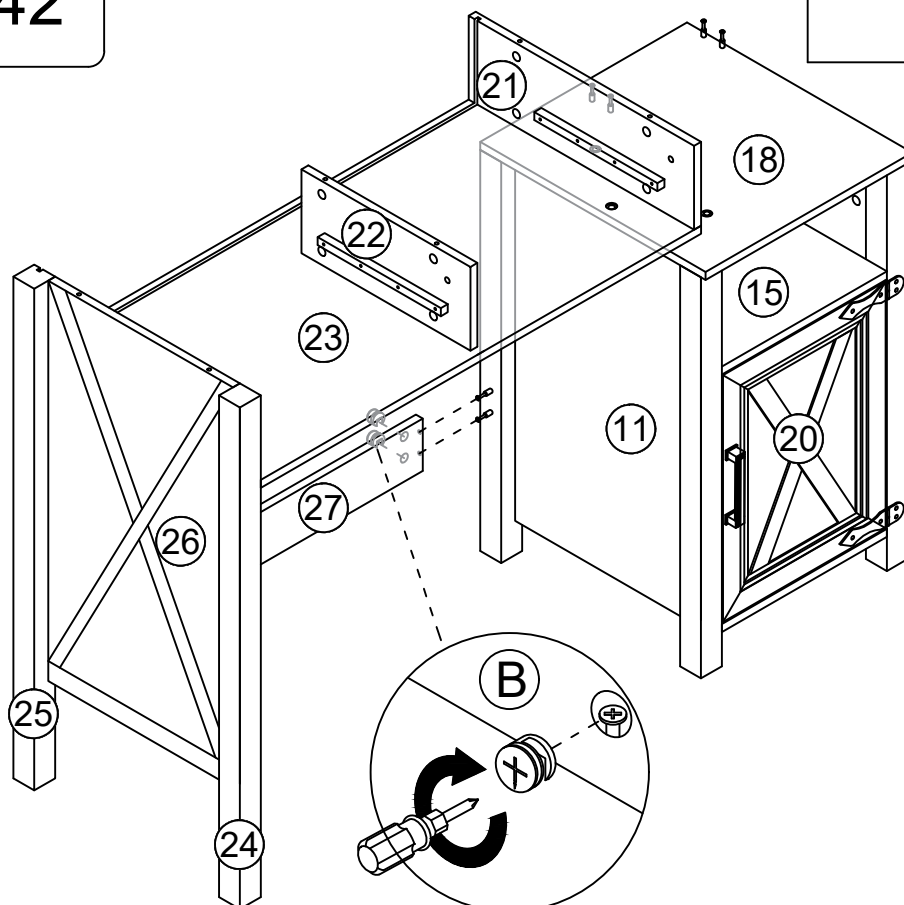


# Step 42

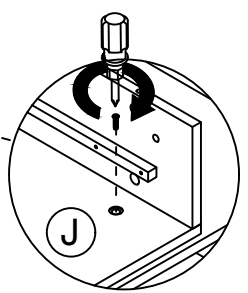
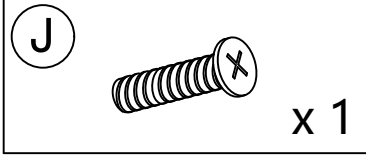
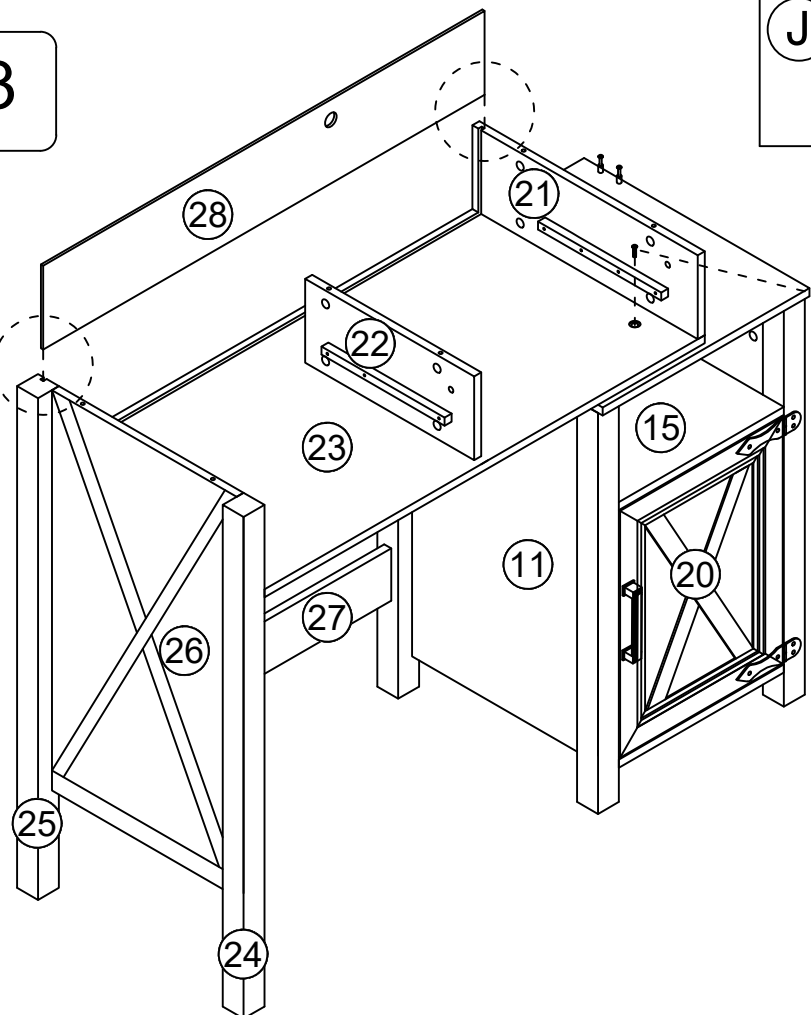
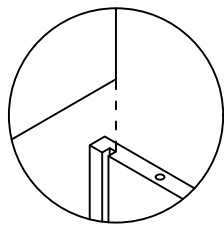
**B**



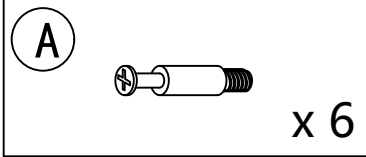
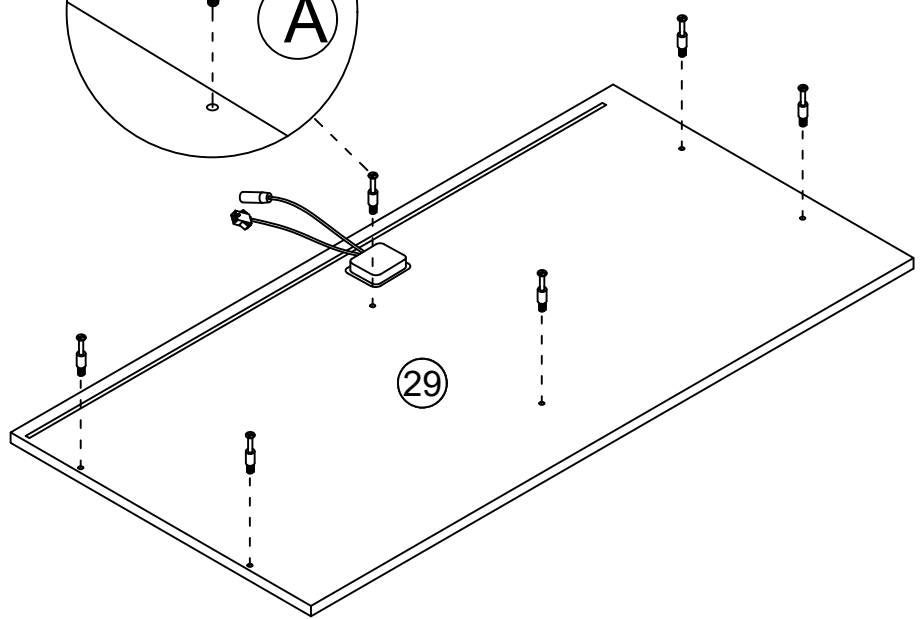
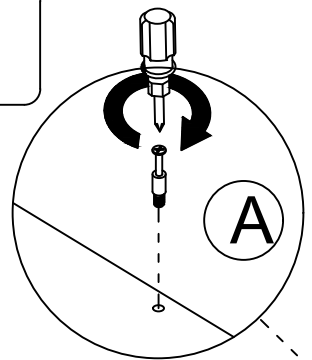
x 2



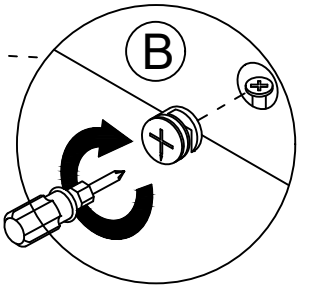
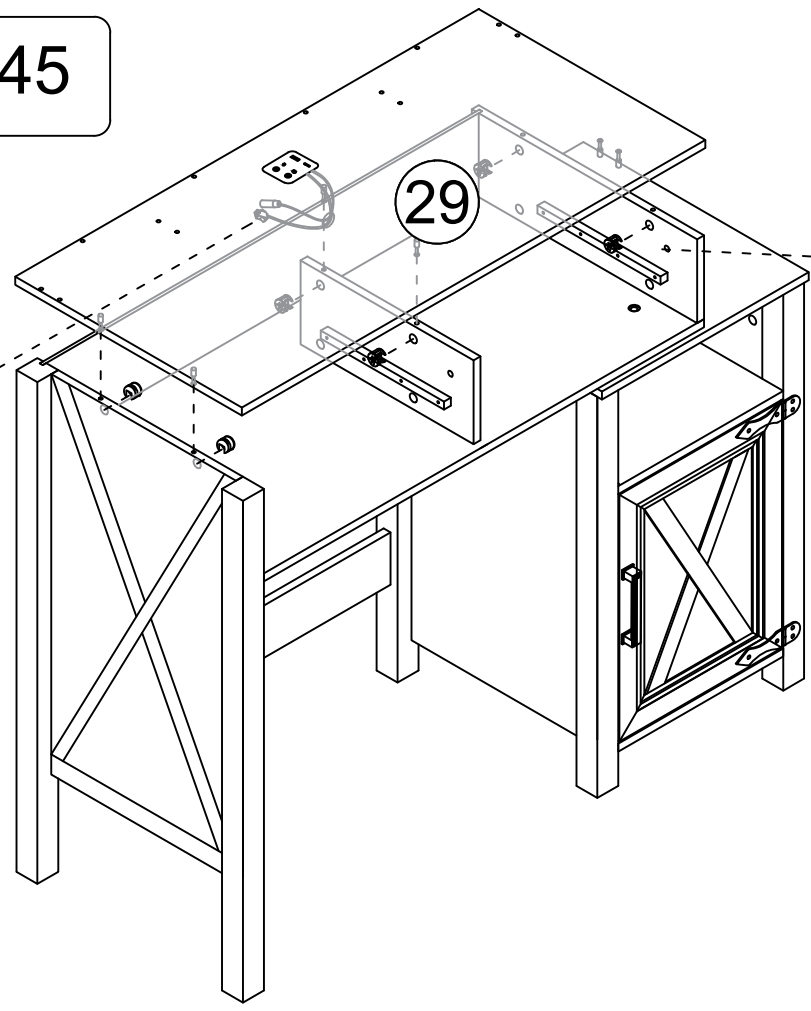
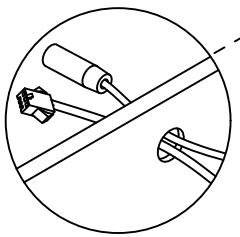
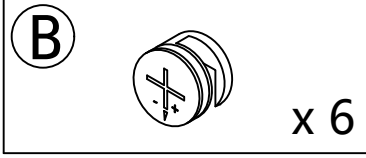
# Step 43



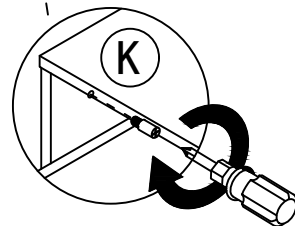
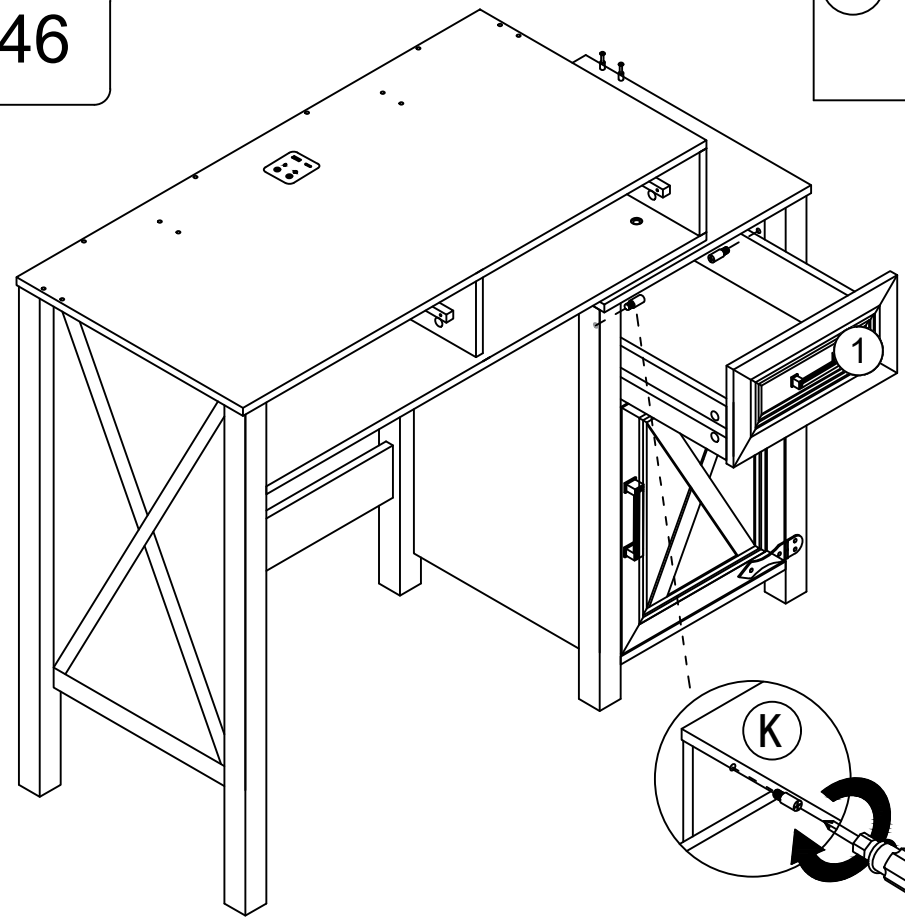
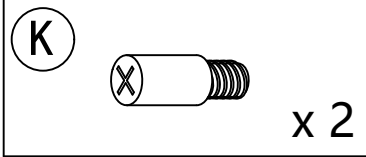
# Step 44



# Step 45

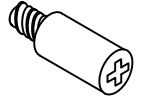


# Step 46

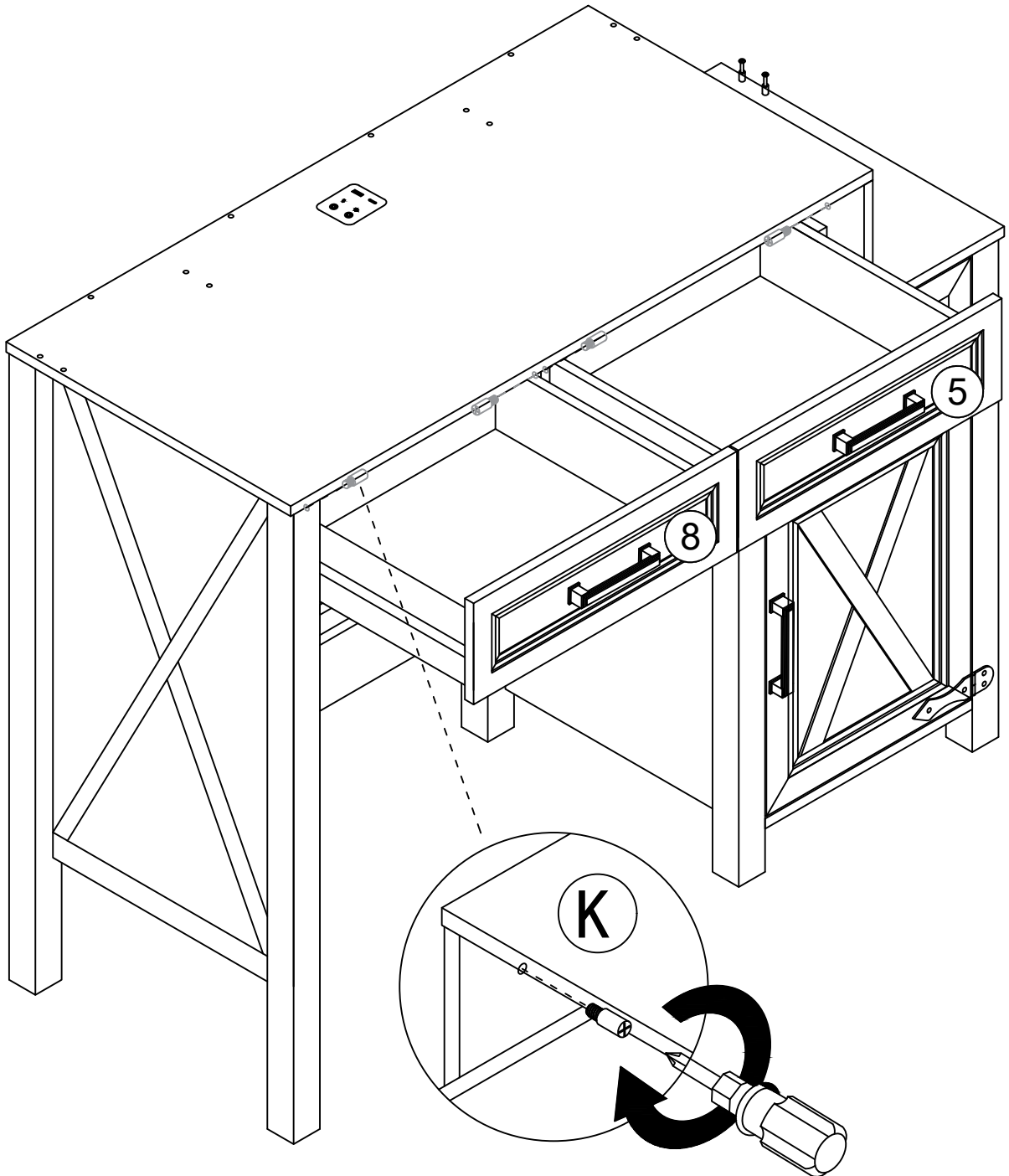


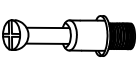
















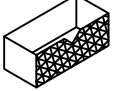




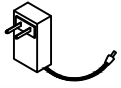
# Step 47

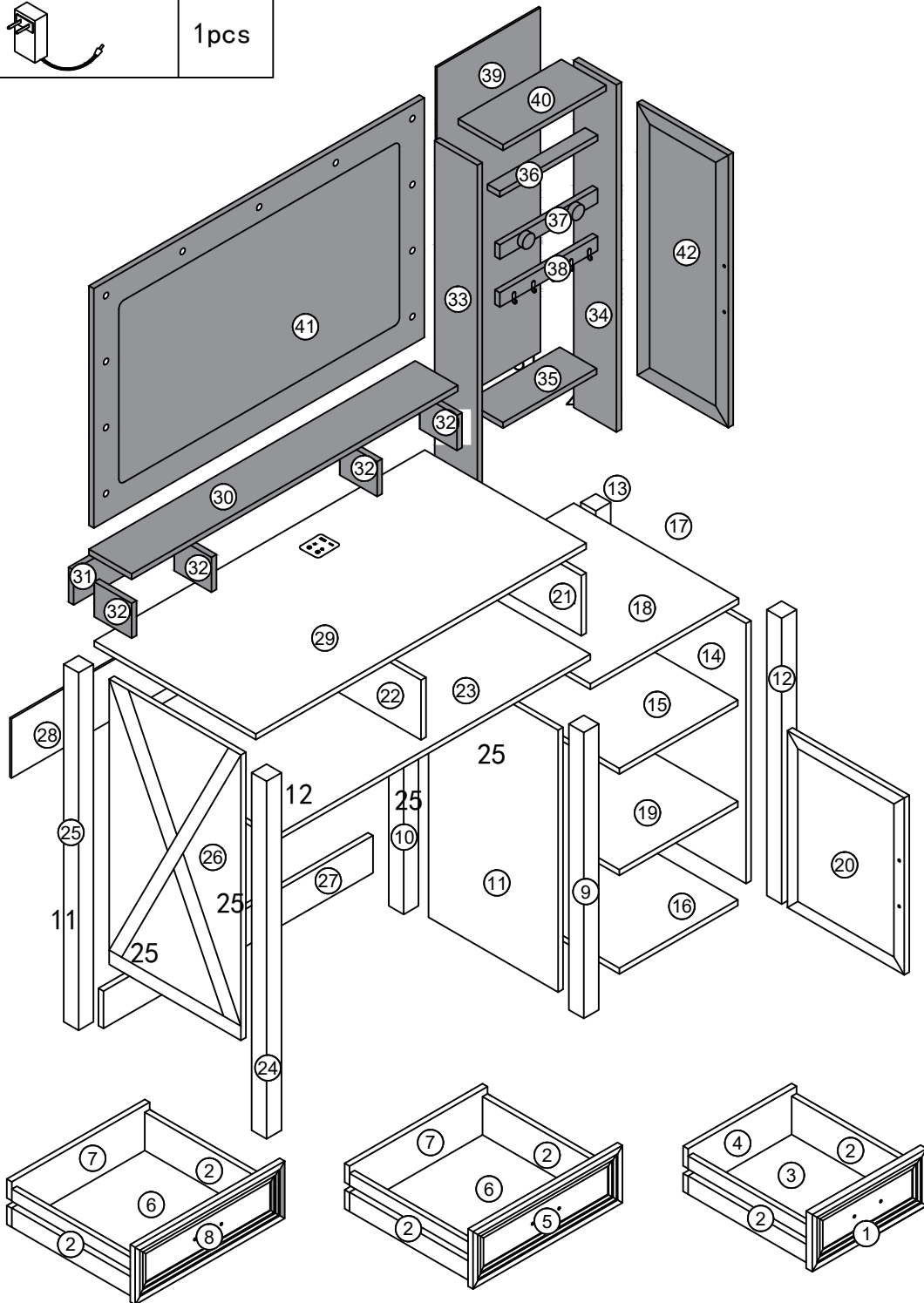
(K)



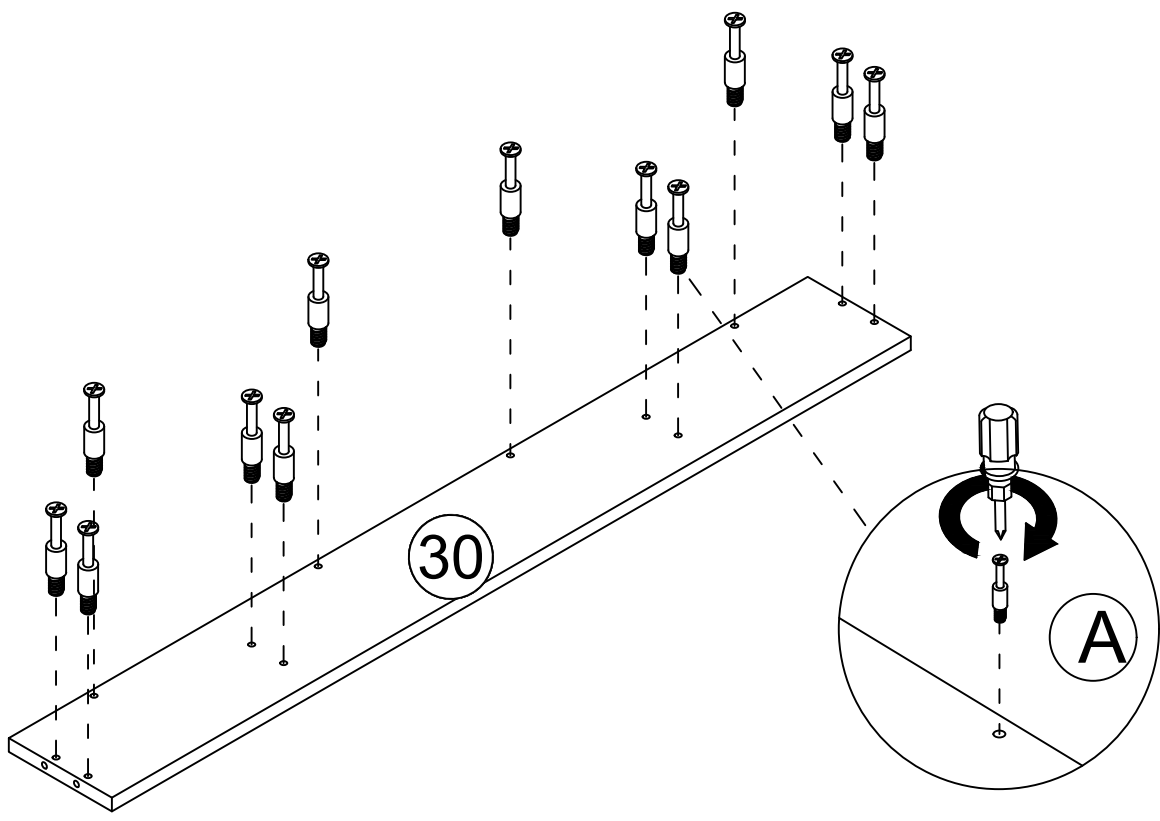
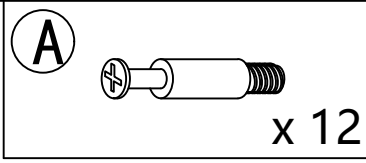
x 4



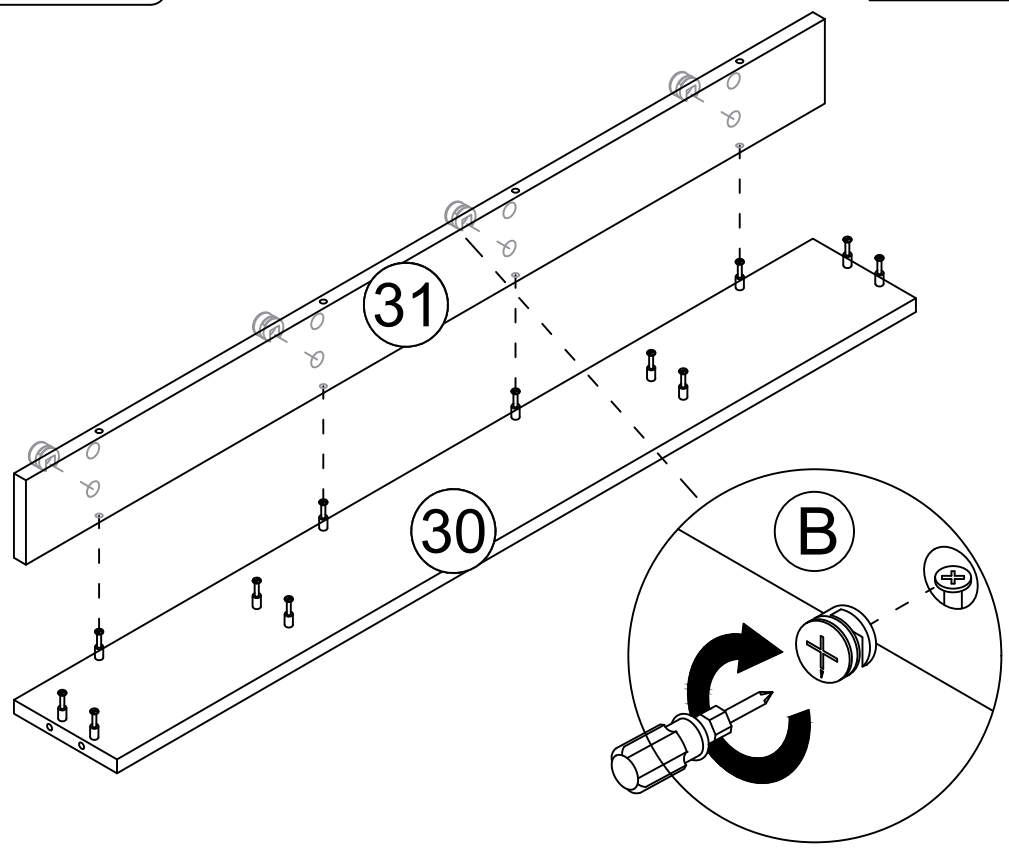
<b>A</b>		35pcs	<b>B</b>		39pcs	<b>F</b>		1pcs		2pcs		
<b>I</b>		3pcs		6pcs	<b>L</b>		12pcs	<b>N</b>			5pcs	
<b>M</b>		1pcs	<b>O</b>		1 pcs	<b>P</b>		1 pcs				
<b>Q</b>		11pcs		1pcs	<b>R</b>		12pcs	<b>S</b>		2pcs		4pcs
<b>T</b>		2pcs	<b>U</b>		1pcs		1pcs	<b>W</b>		1pcs		2pcs
			1pcs									



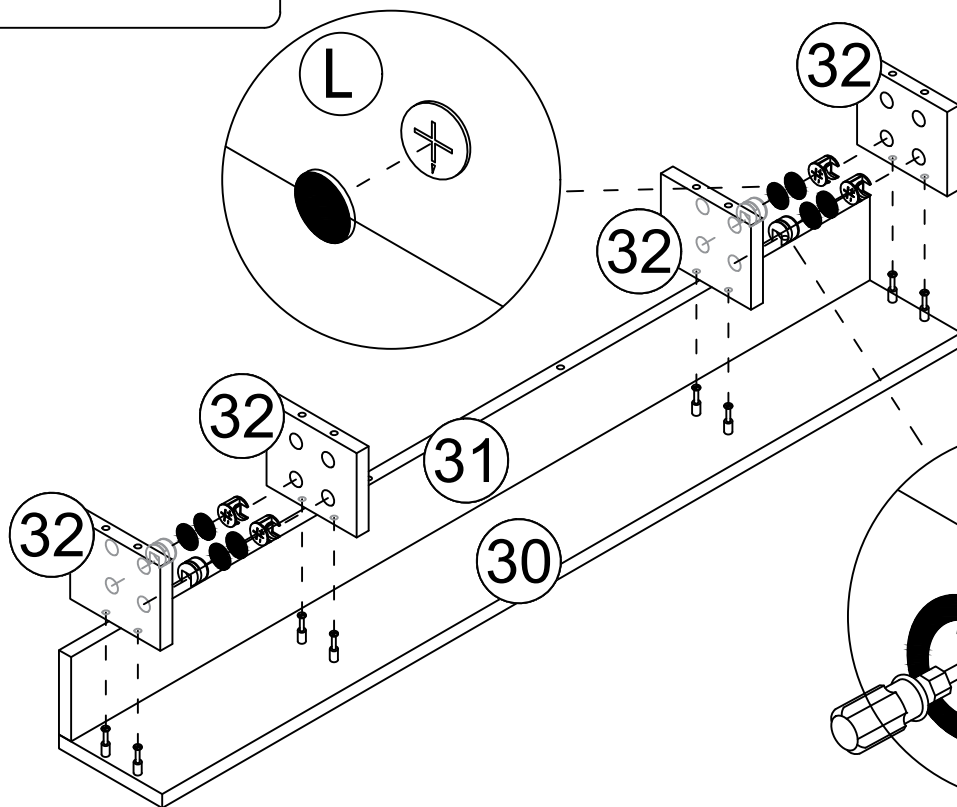
# Step 48





# Step 49

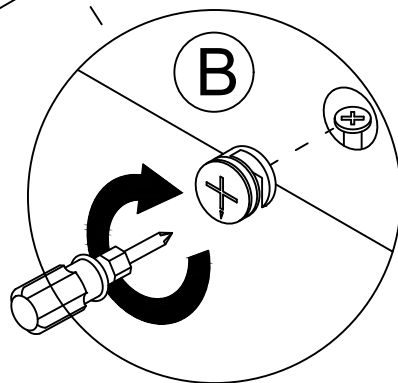


# Step 50



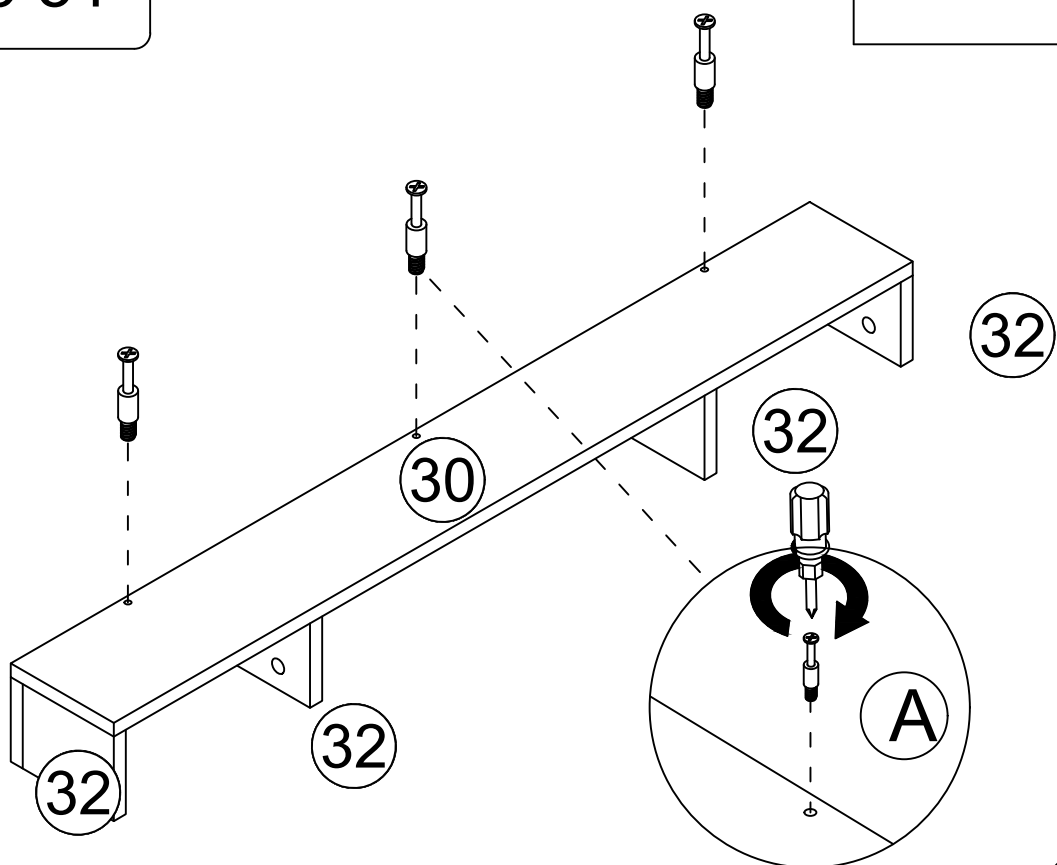
**(B)**  x 8

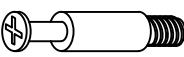
**(L)**  x 8

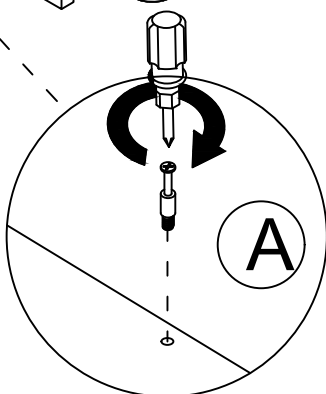


The installation of No. 12+25 plate is completed, and the hole position is facing inward

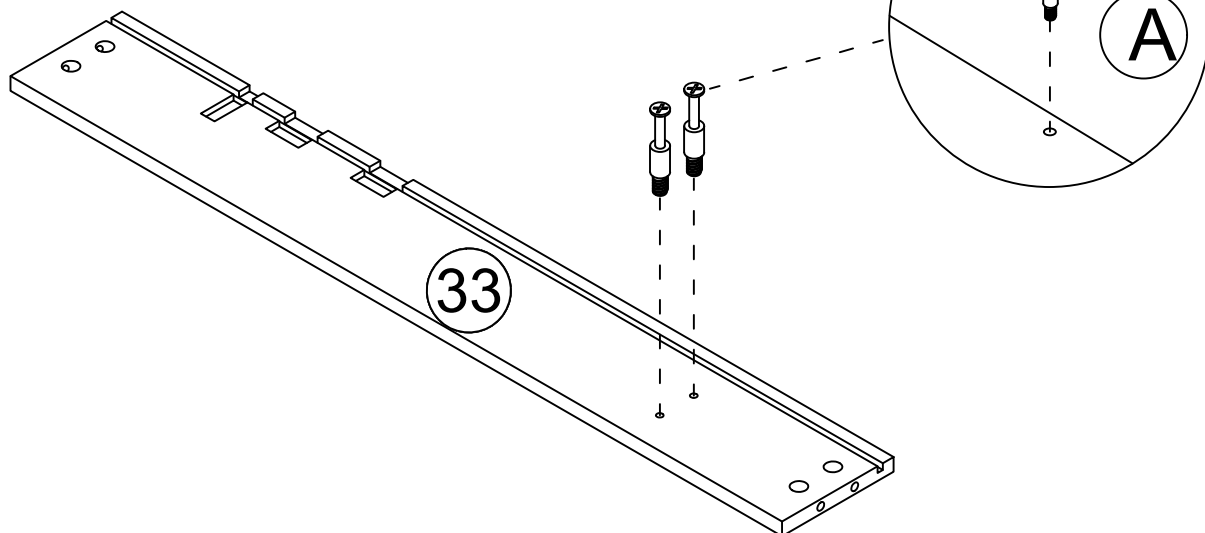
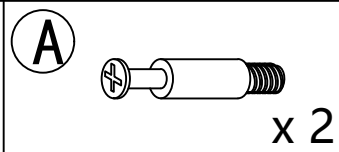
# Step 51



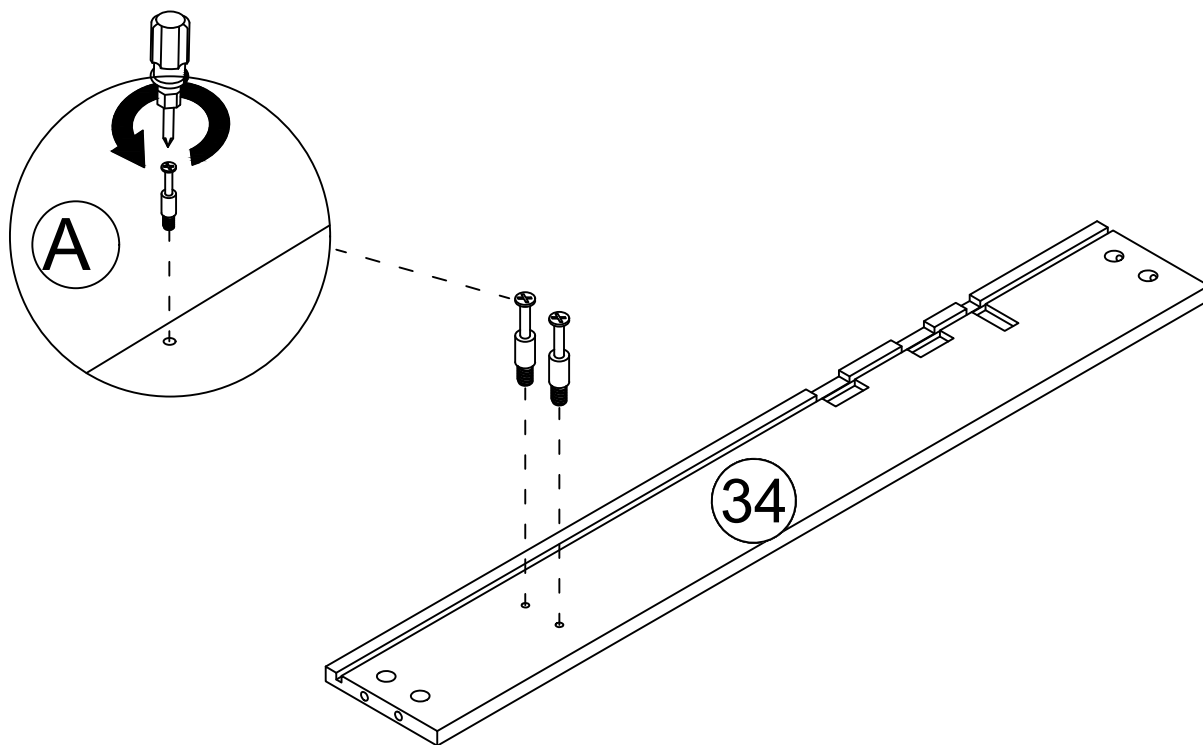
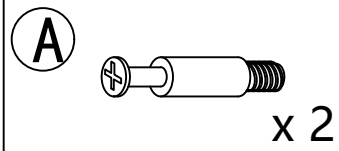
**(A)**  x 3



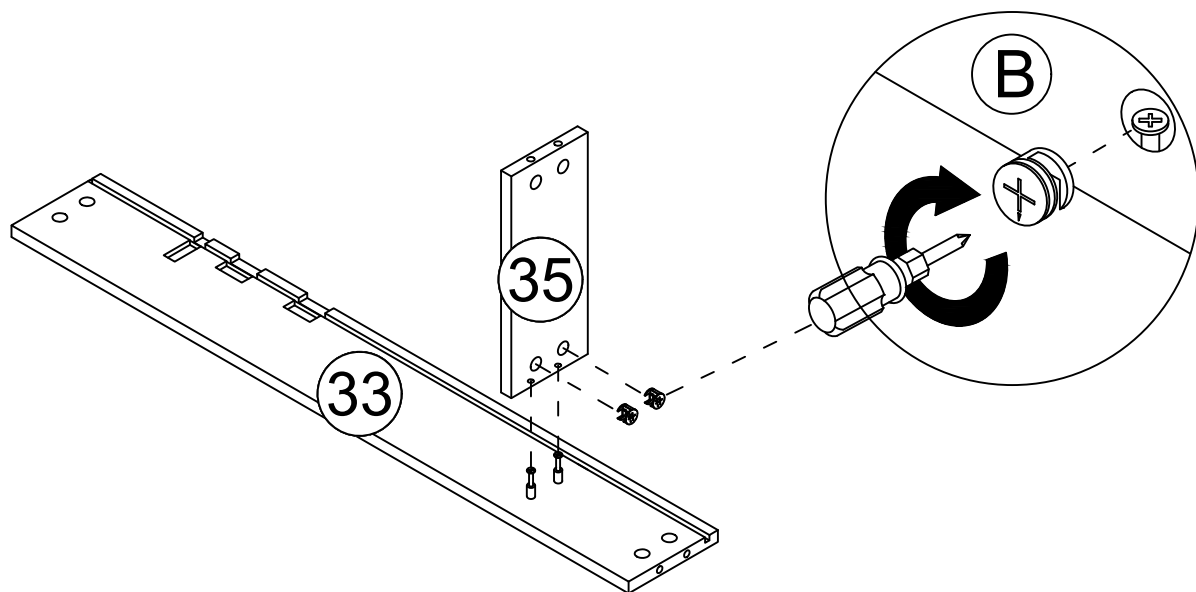
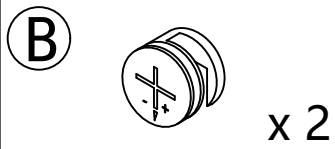
# Step 52



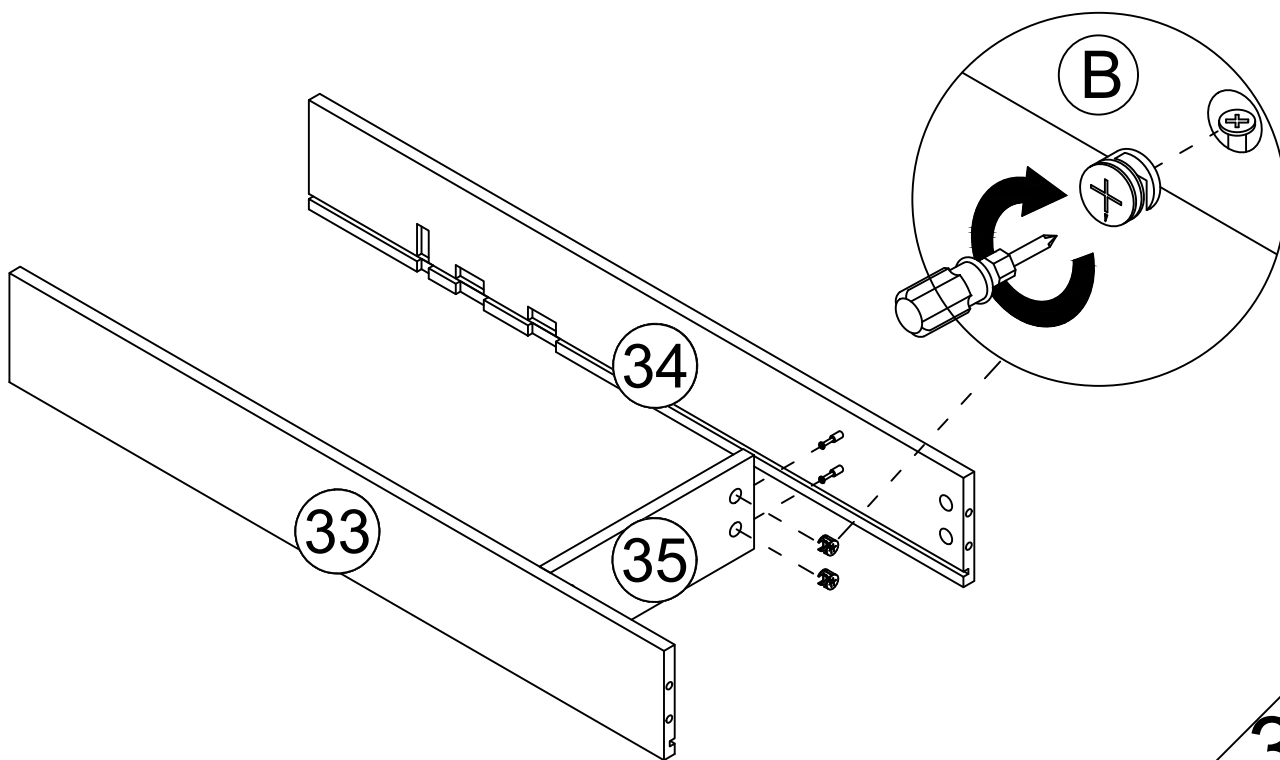
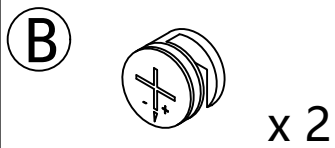
# Step 53



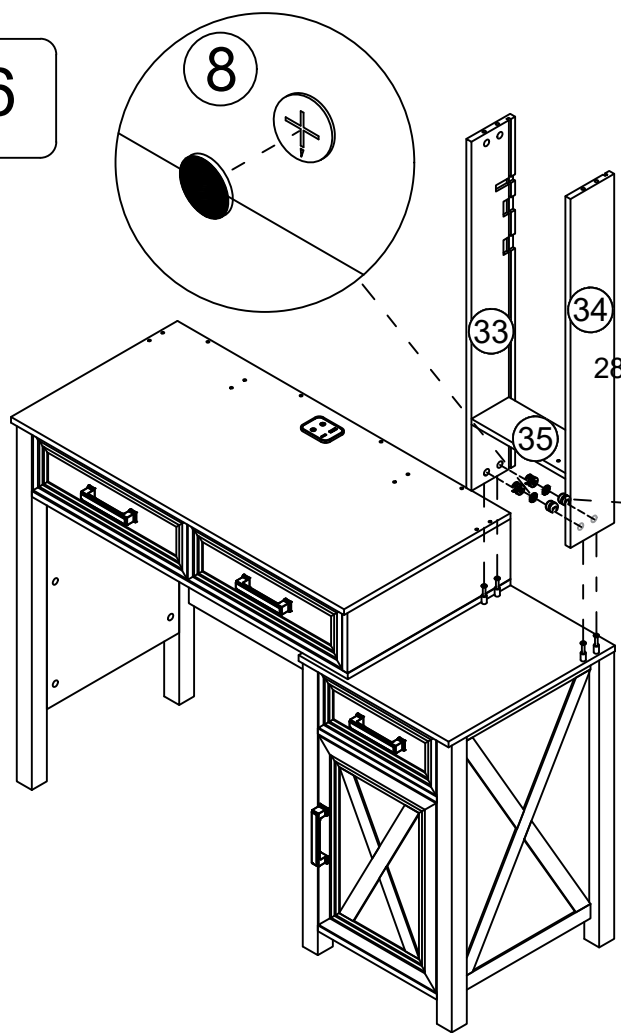
# Step 54





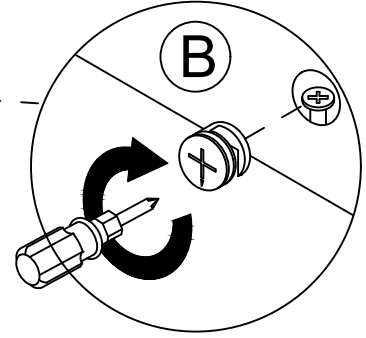
# Step 55



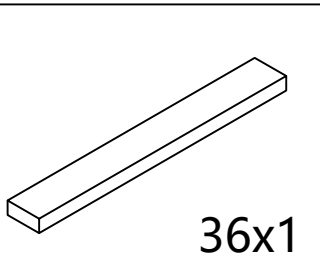
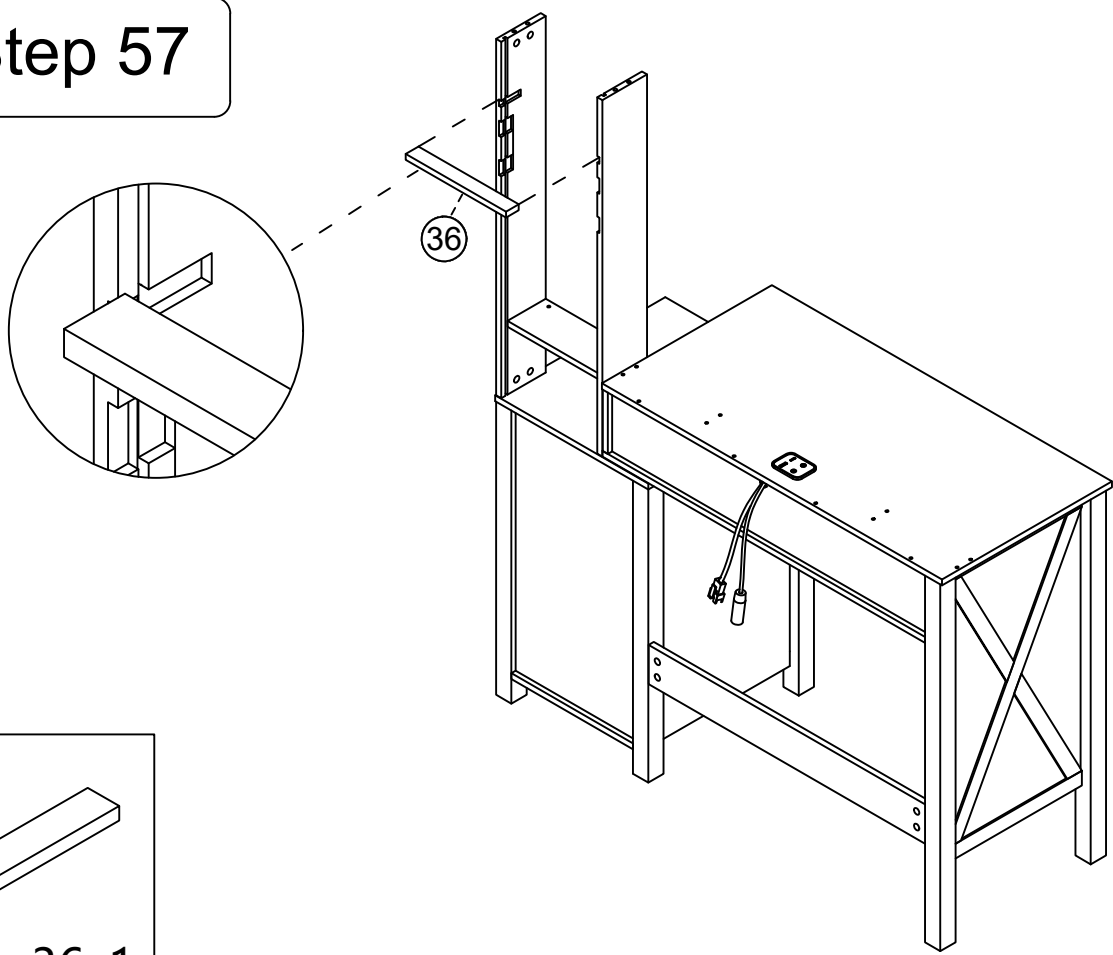
# Step 56



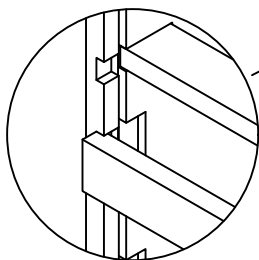
- B**  x 4
- L**  x 4



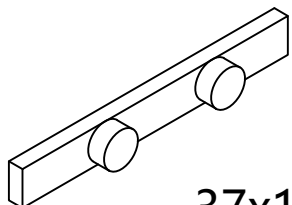
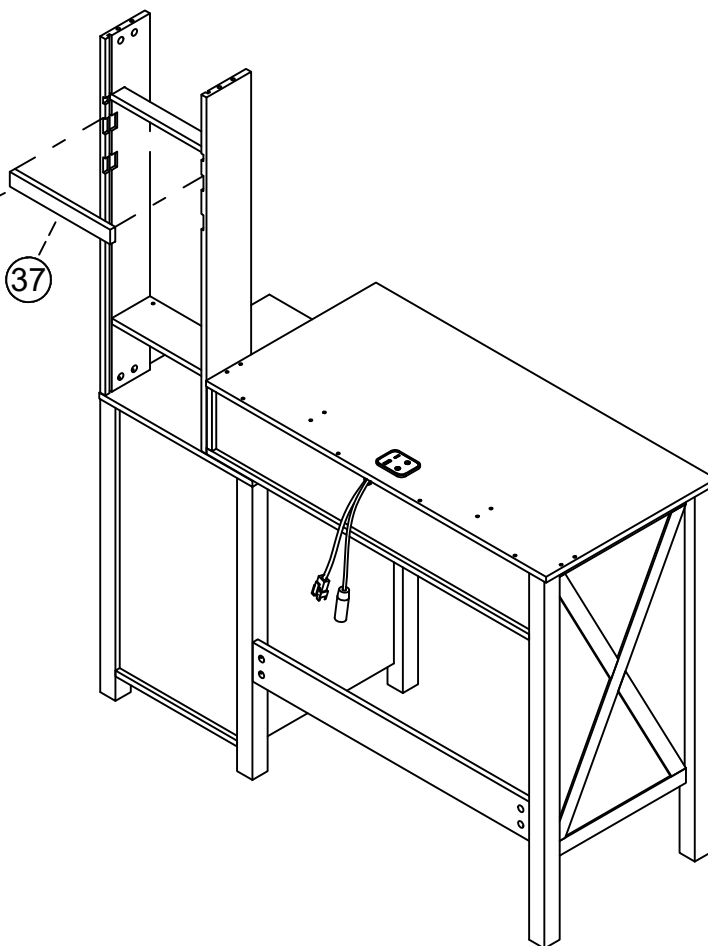
# Step 57



# Step 58



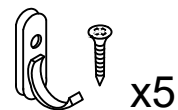
37



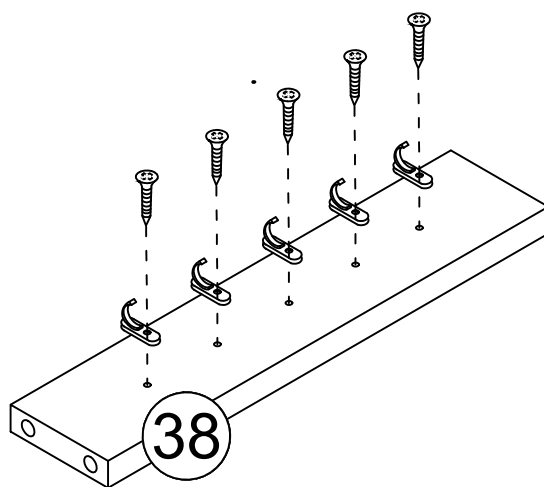
37x1

# Step 59

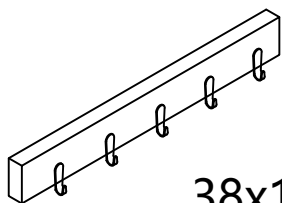
N



x5

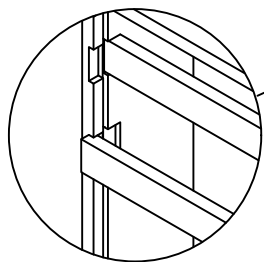


38

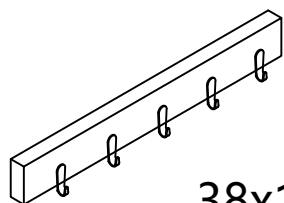
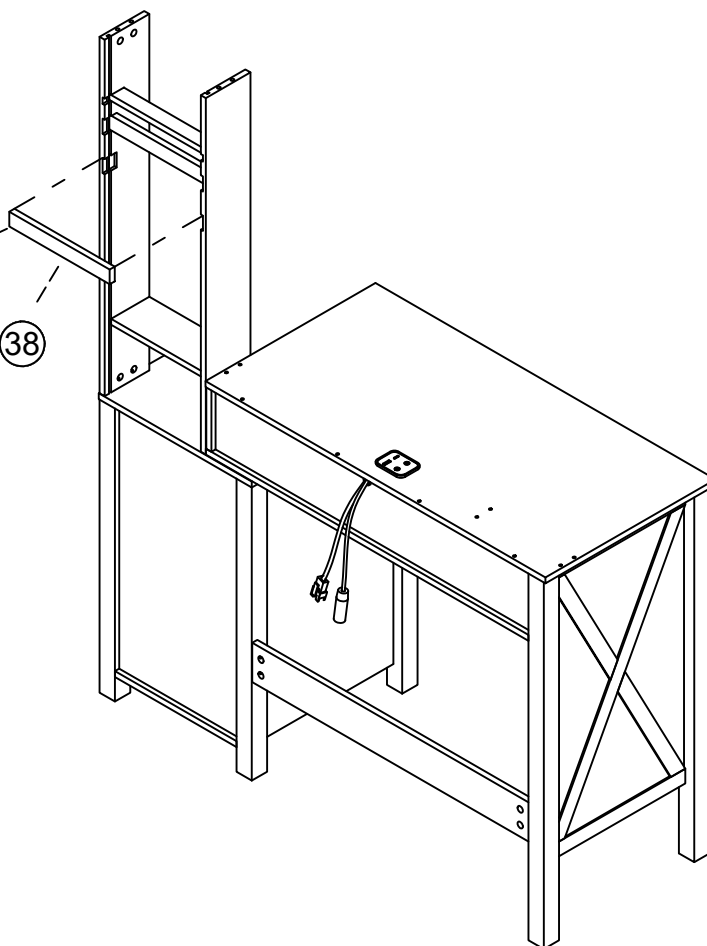


38x1

## Step 60

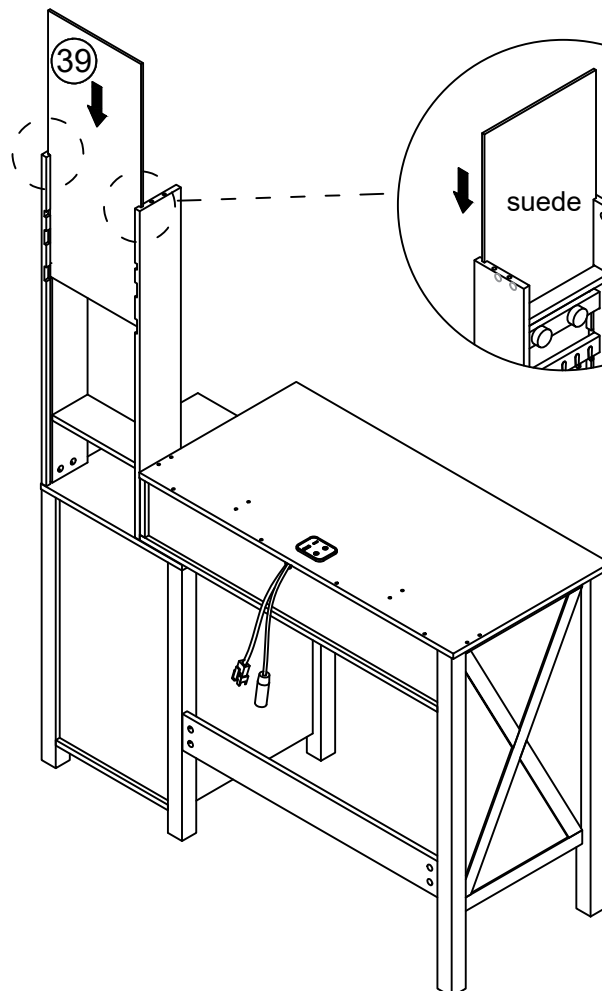


38

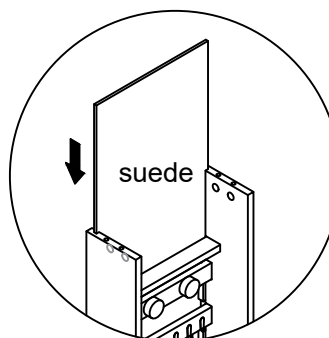


38x1

## Step 61

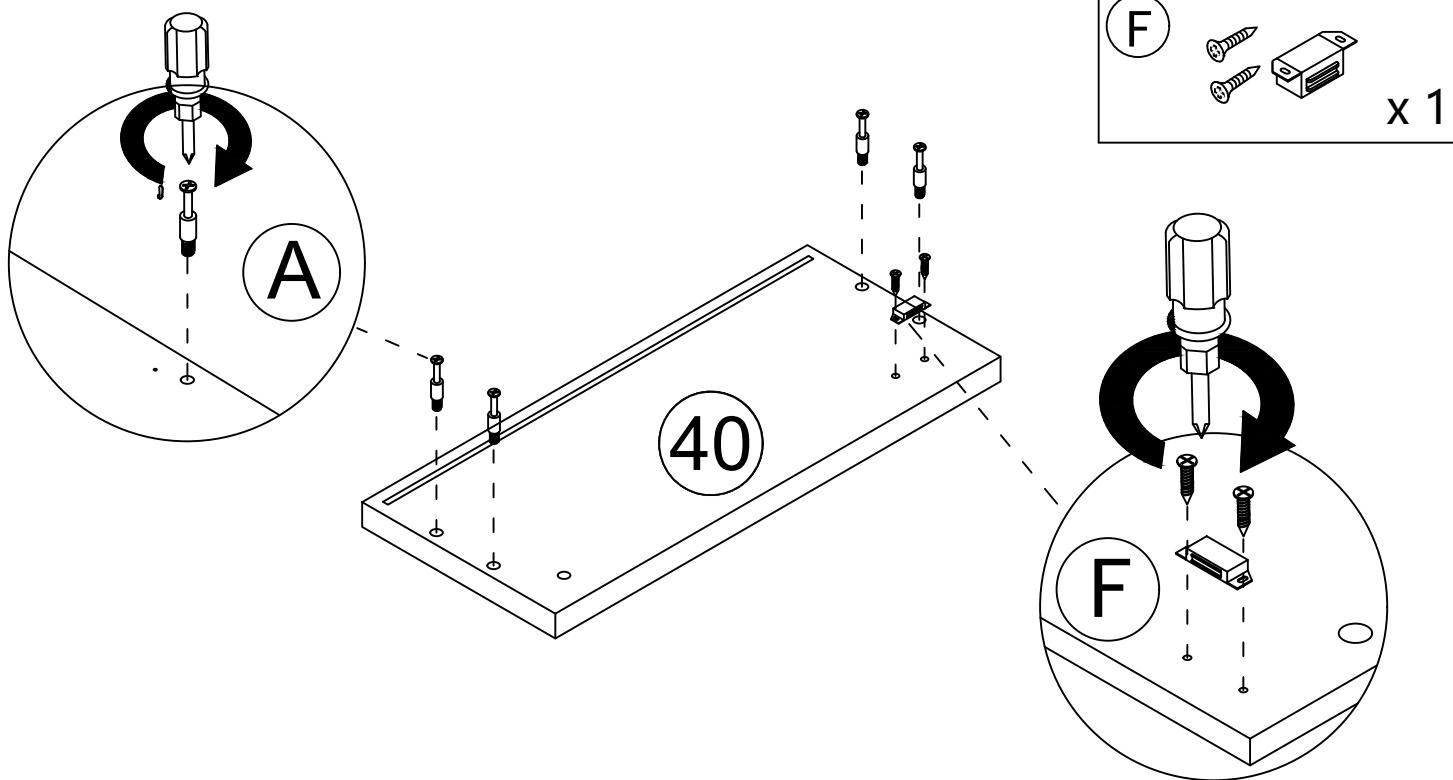


39

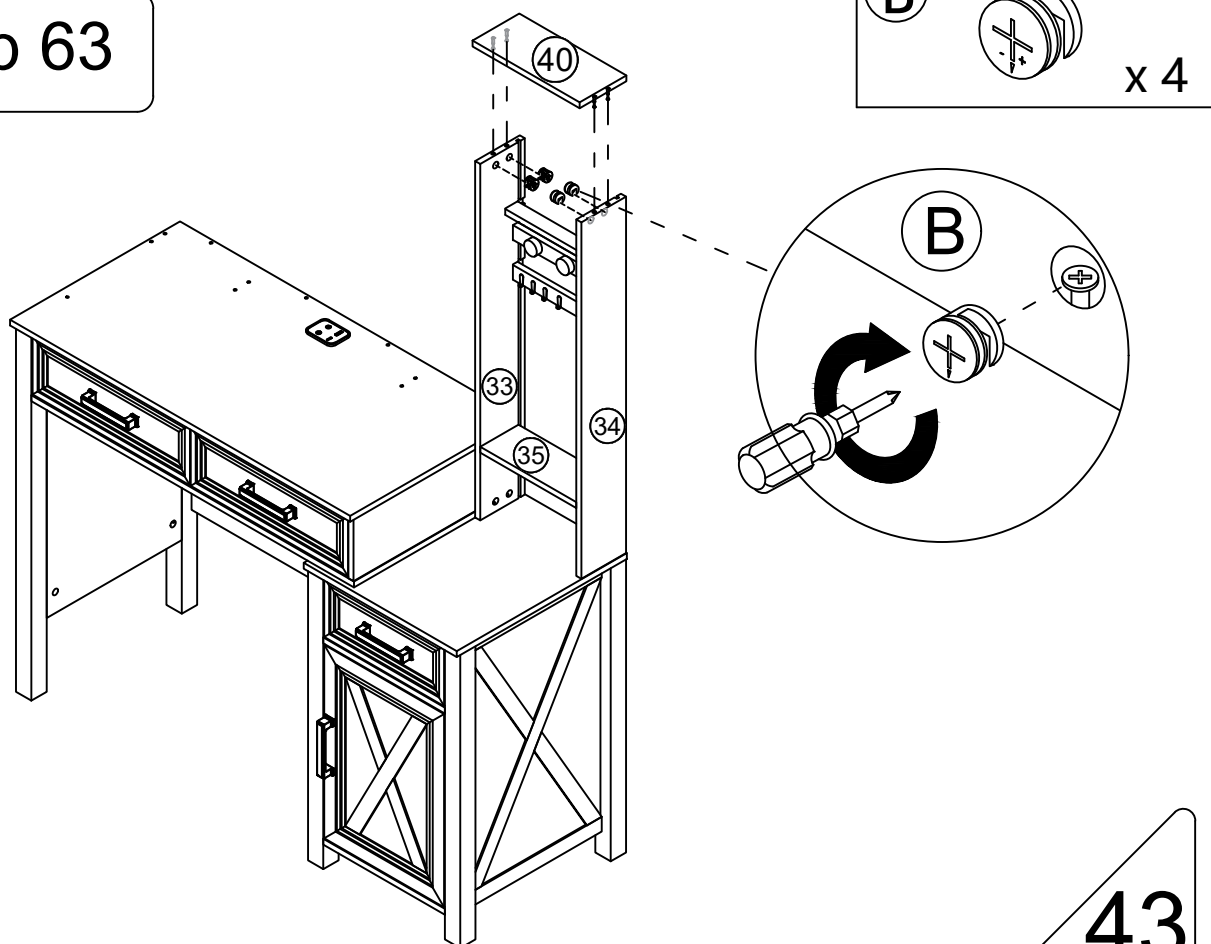


Pay attention to the direction of the suede when installing

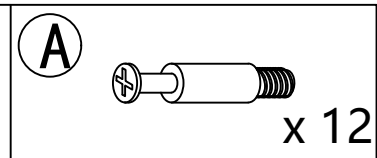
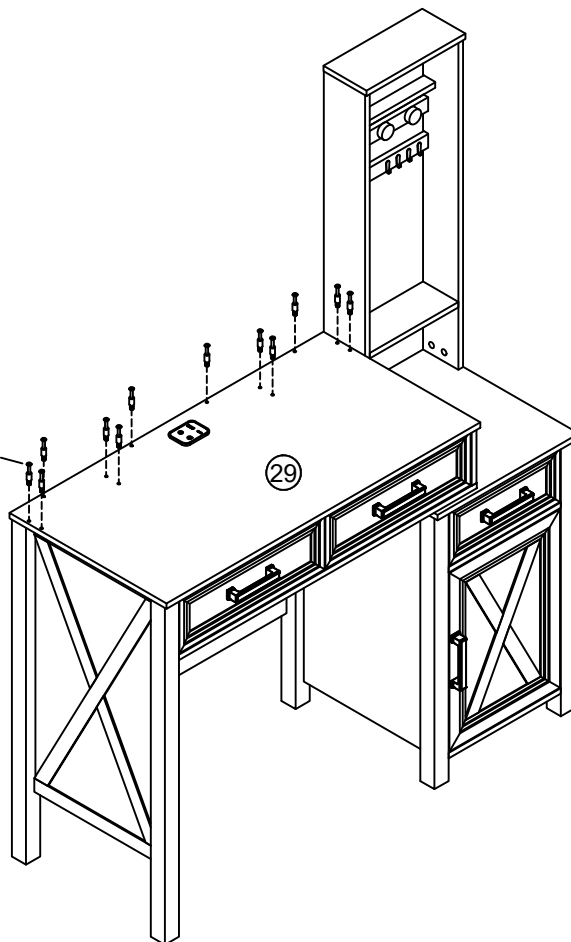
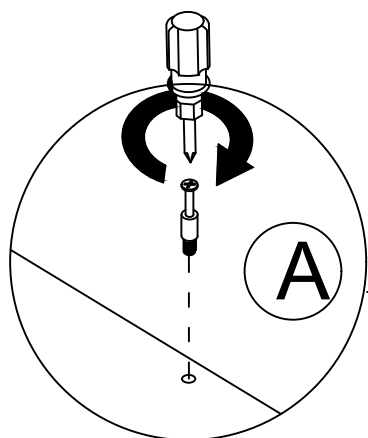
# Step 62



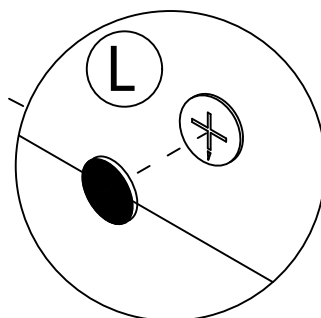
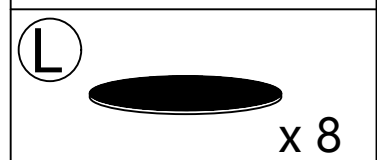
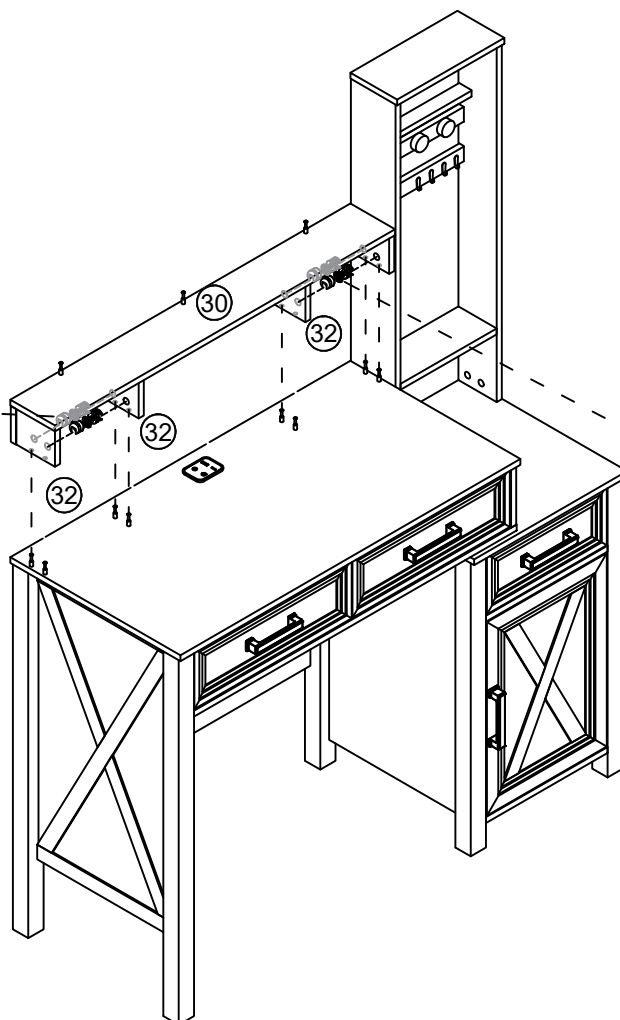
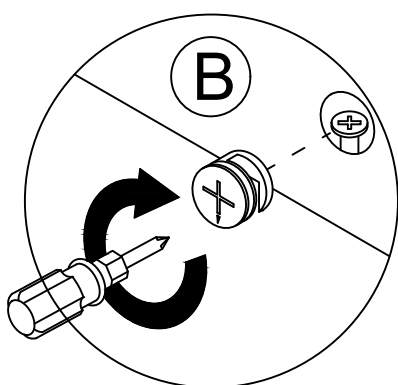
# Step 63




# Step 64

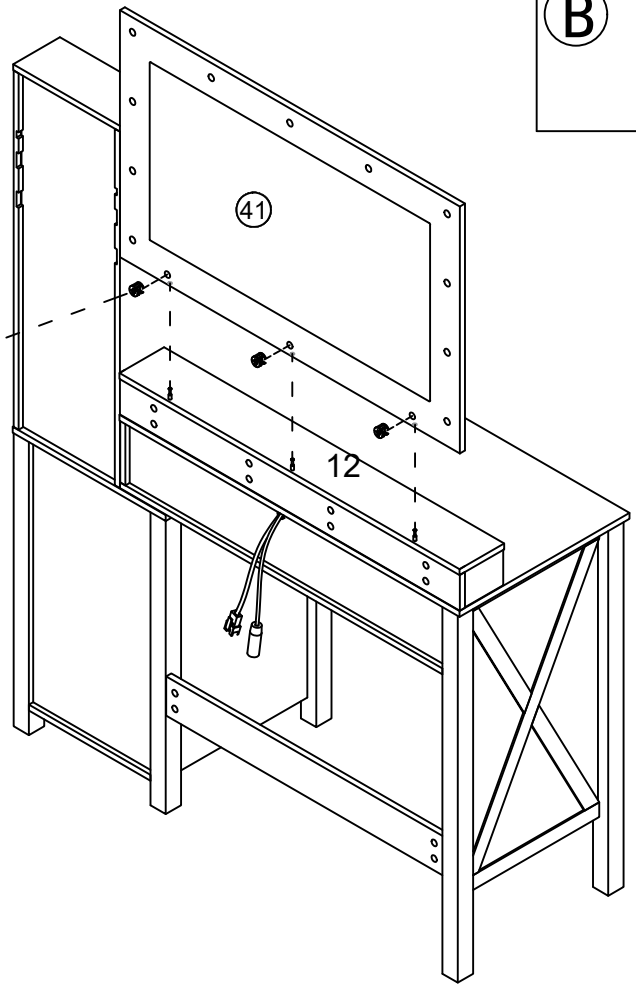
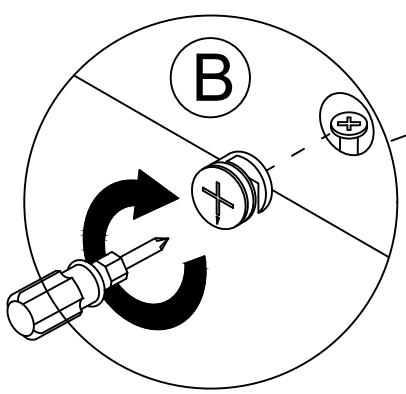


# Step 65

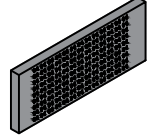


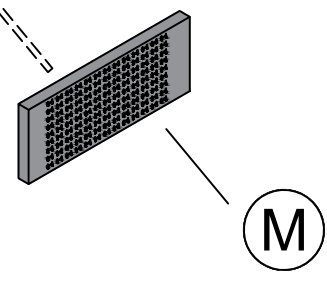
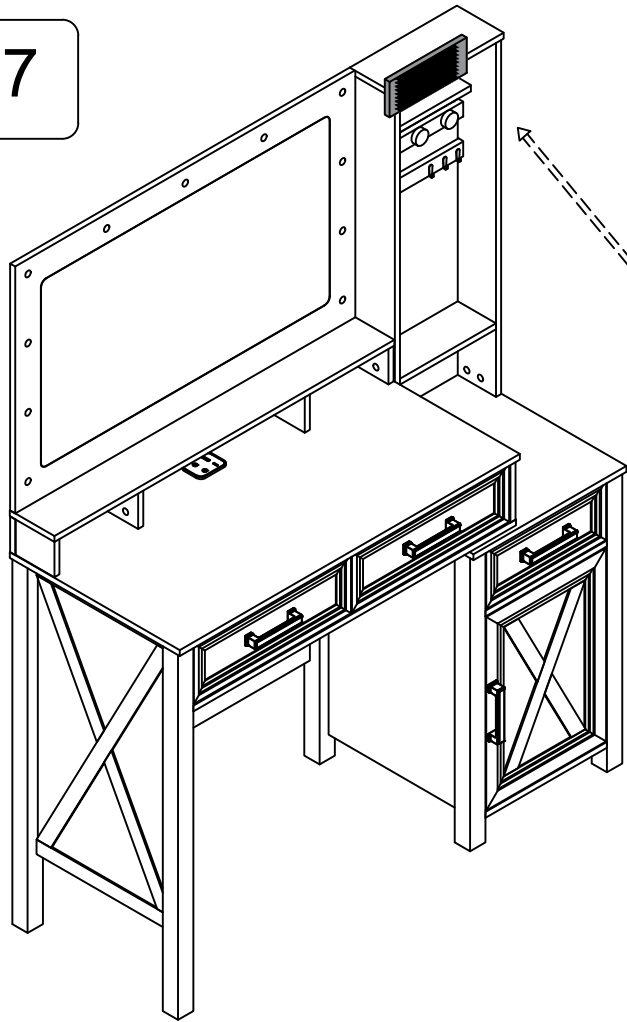
# Step 66

**B**  x 3





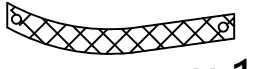


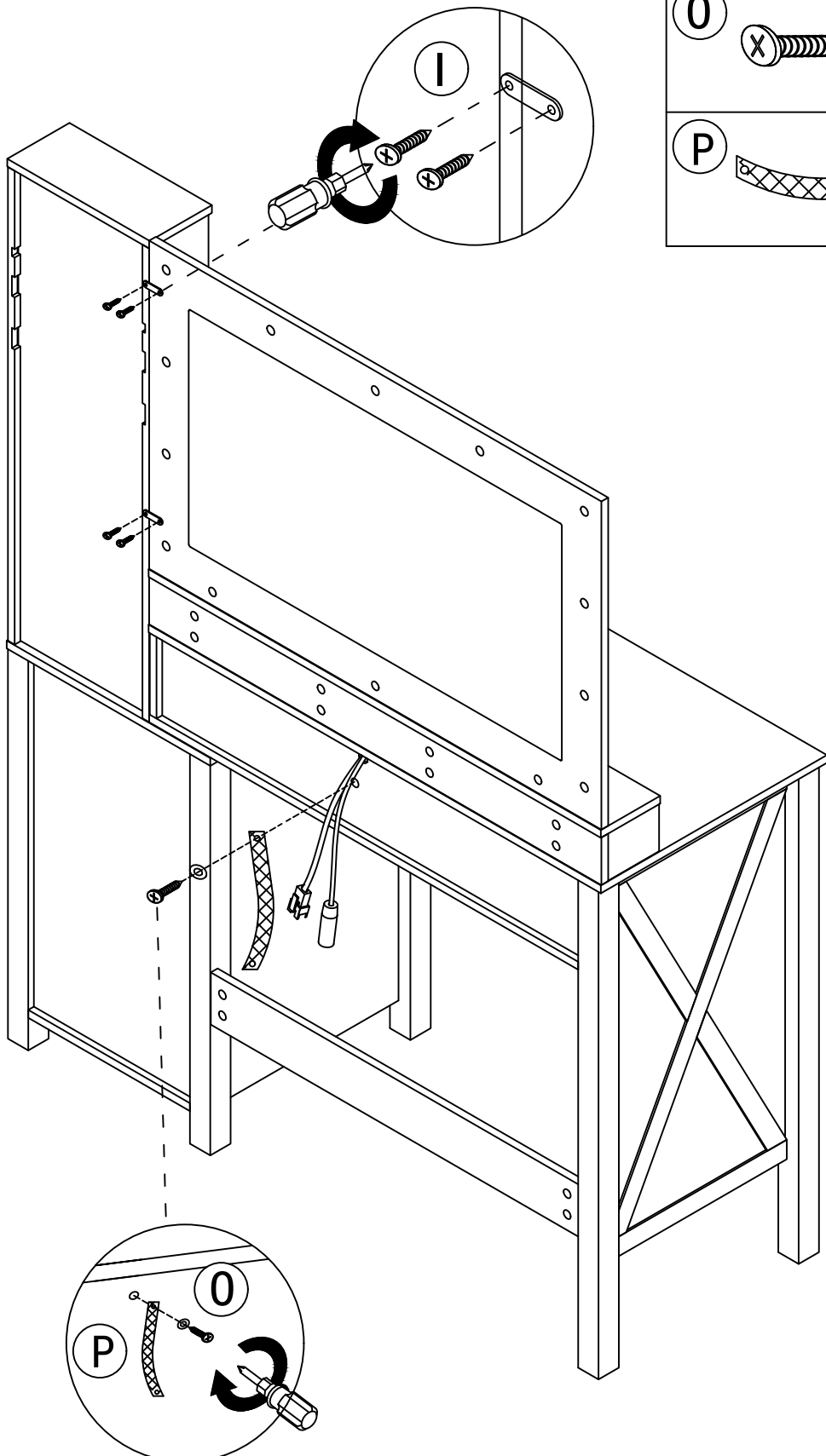
# Step 67

**M**  x 1

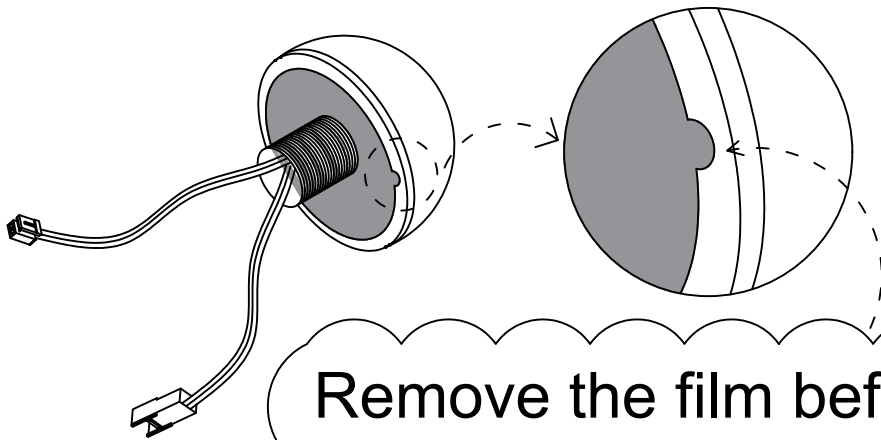


# Step 68

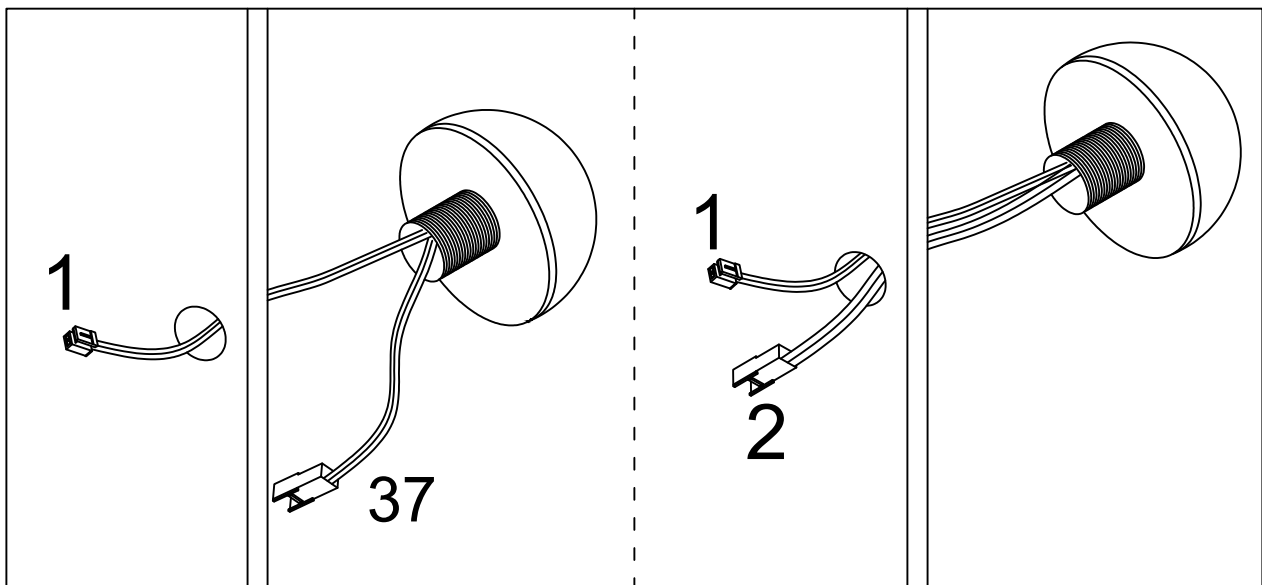
- I** 1pcs  2pcs  x 2
- O**   x 1
- P**  x 1



Note:

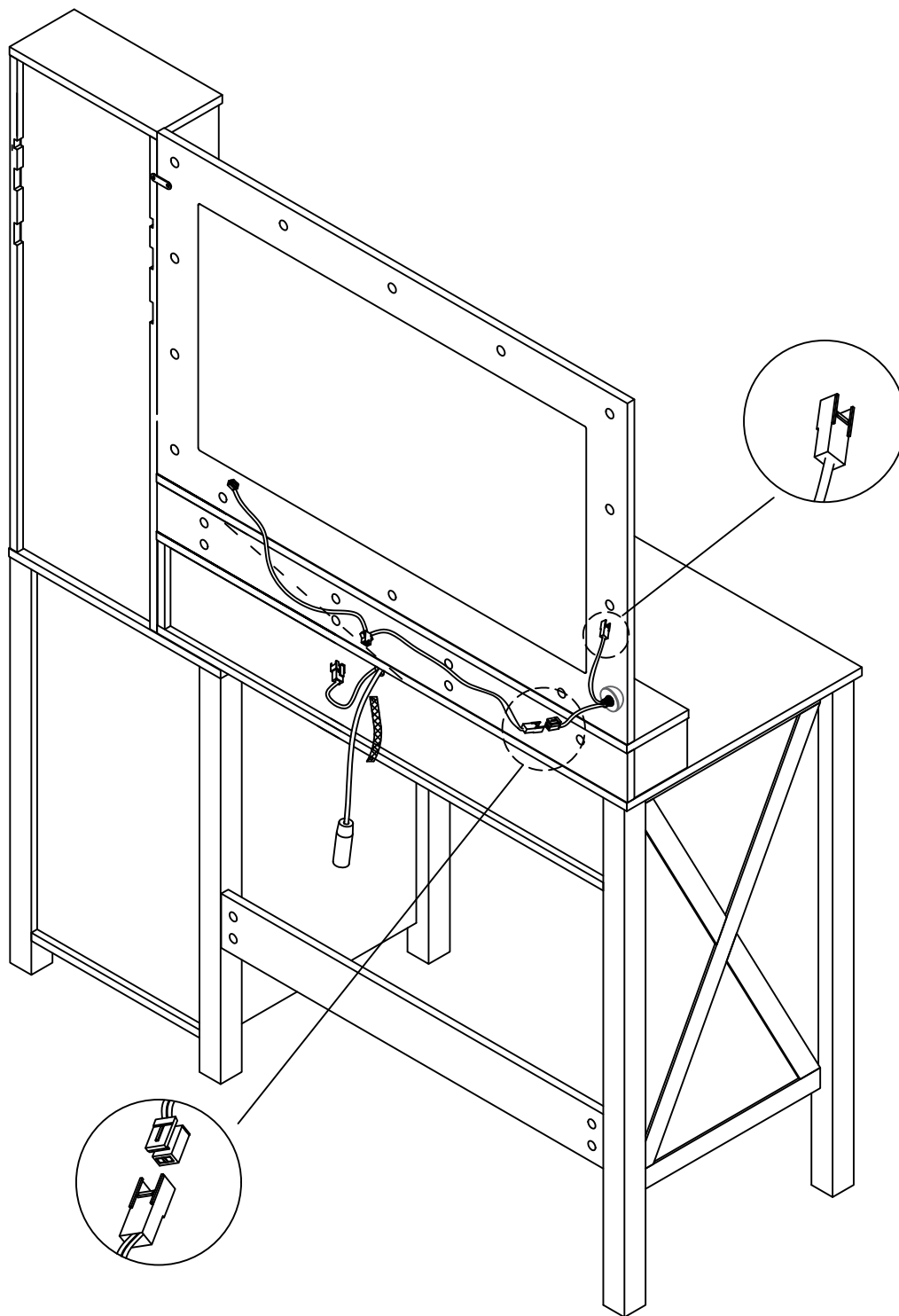
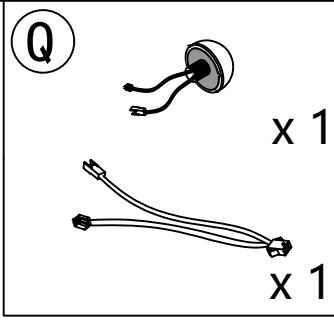
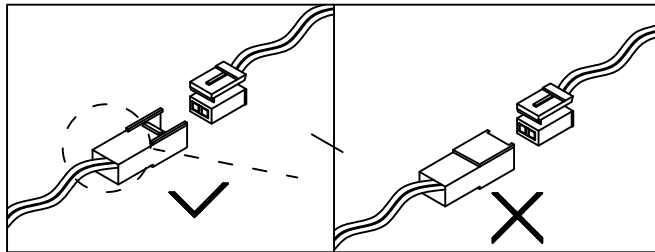


Remove the film before installation



Make sure that you insert 2 cables on bulb through prepared holes on board, suggest to insert once a time.

# Step 69



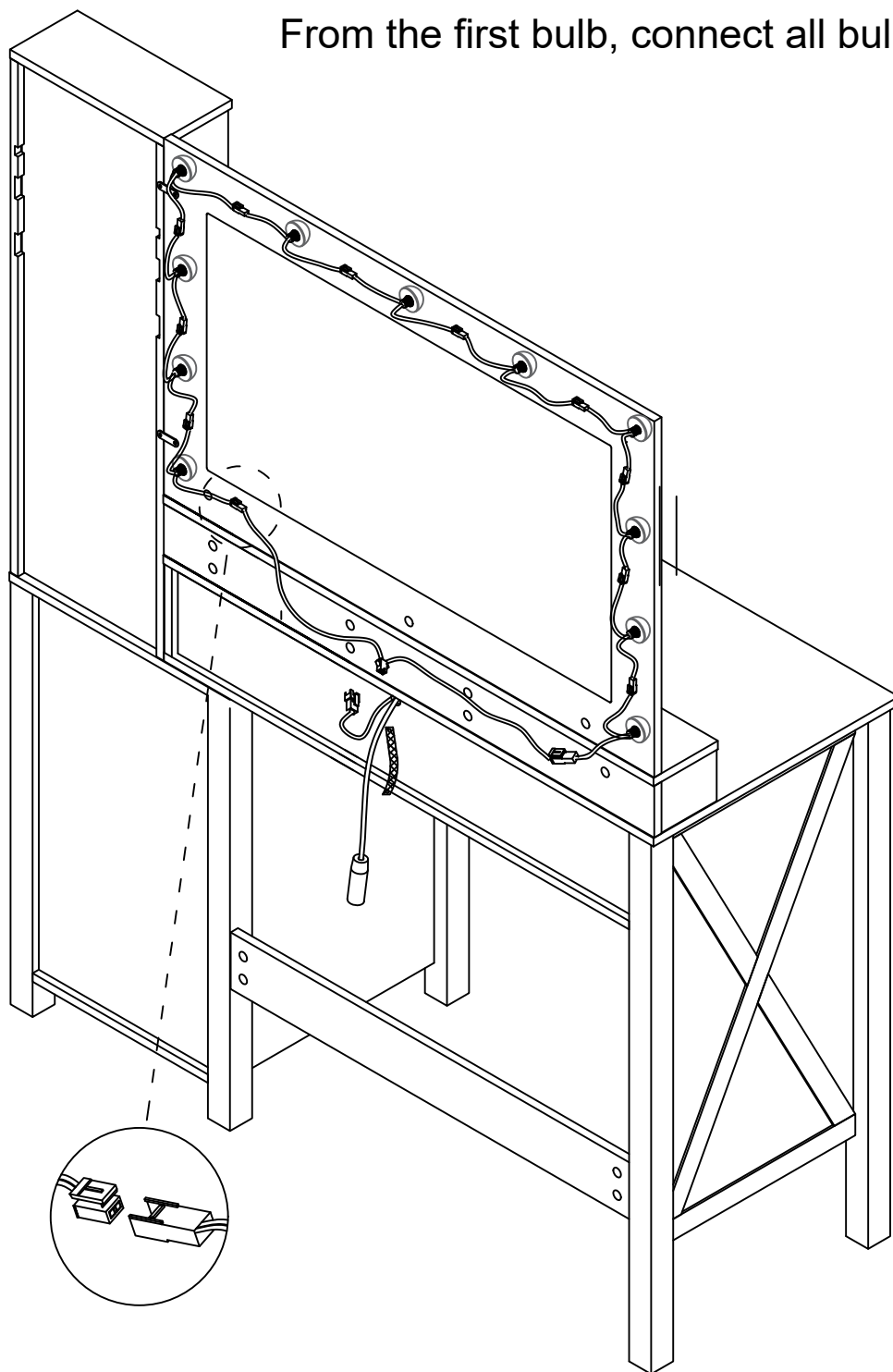
# Step 70

Q

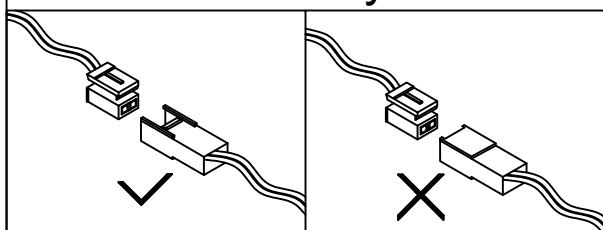


x 10

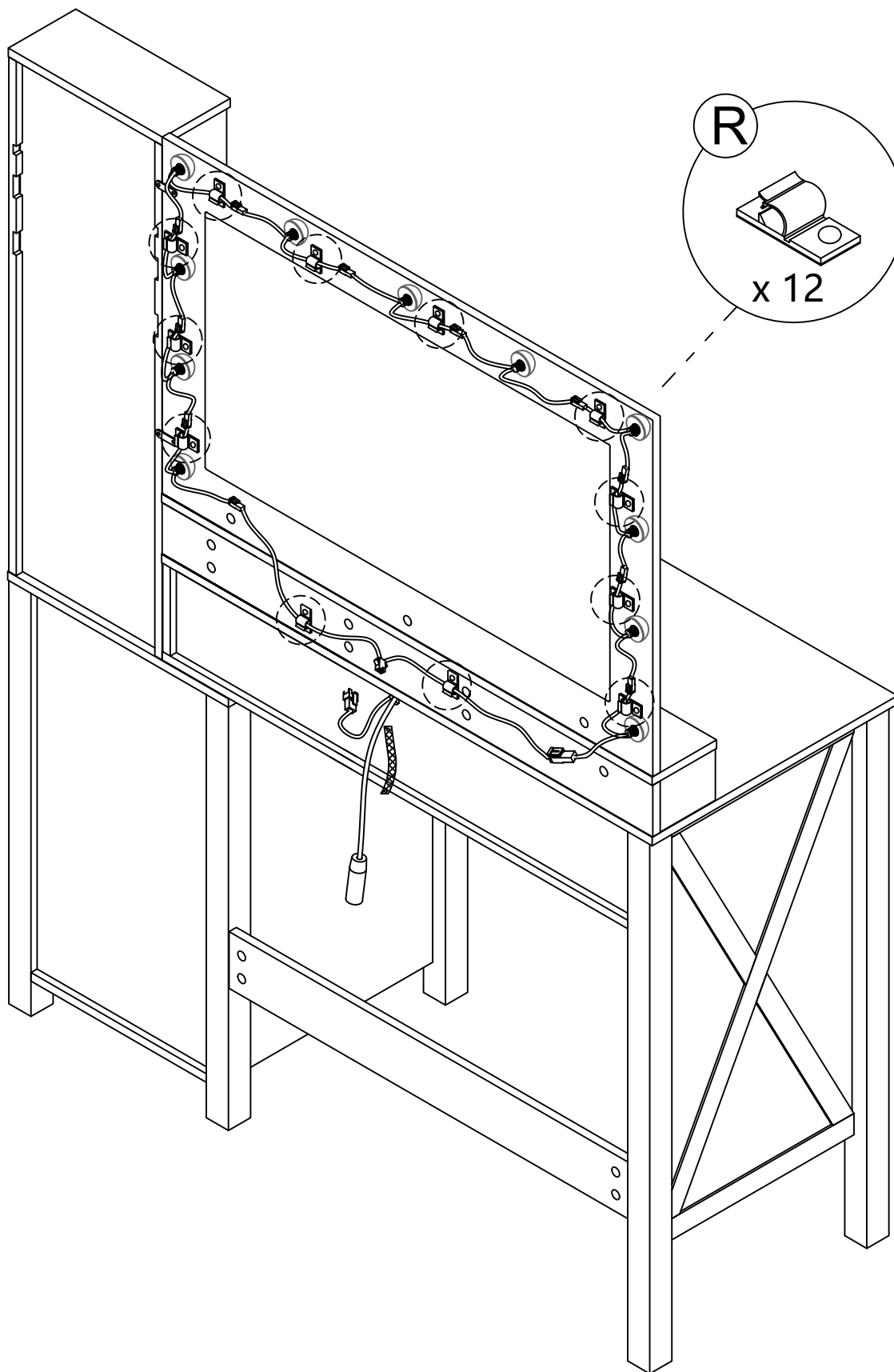
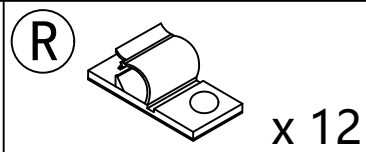
From the first bulb, connect all bulbs in turn



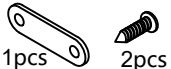


Please note that connection between each bulbs should be like LEFT status. Any connection like right image might be result of defection. For you own safety, check all connection in this step.

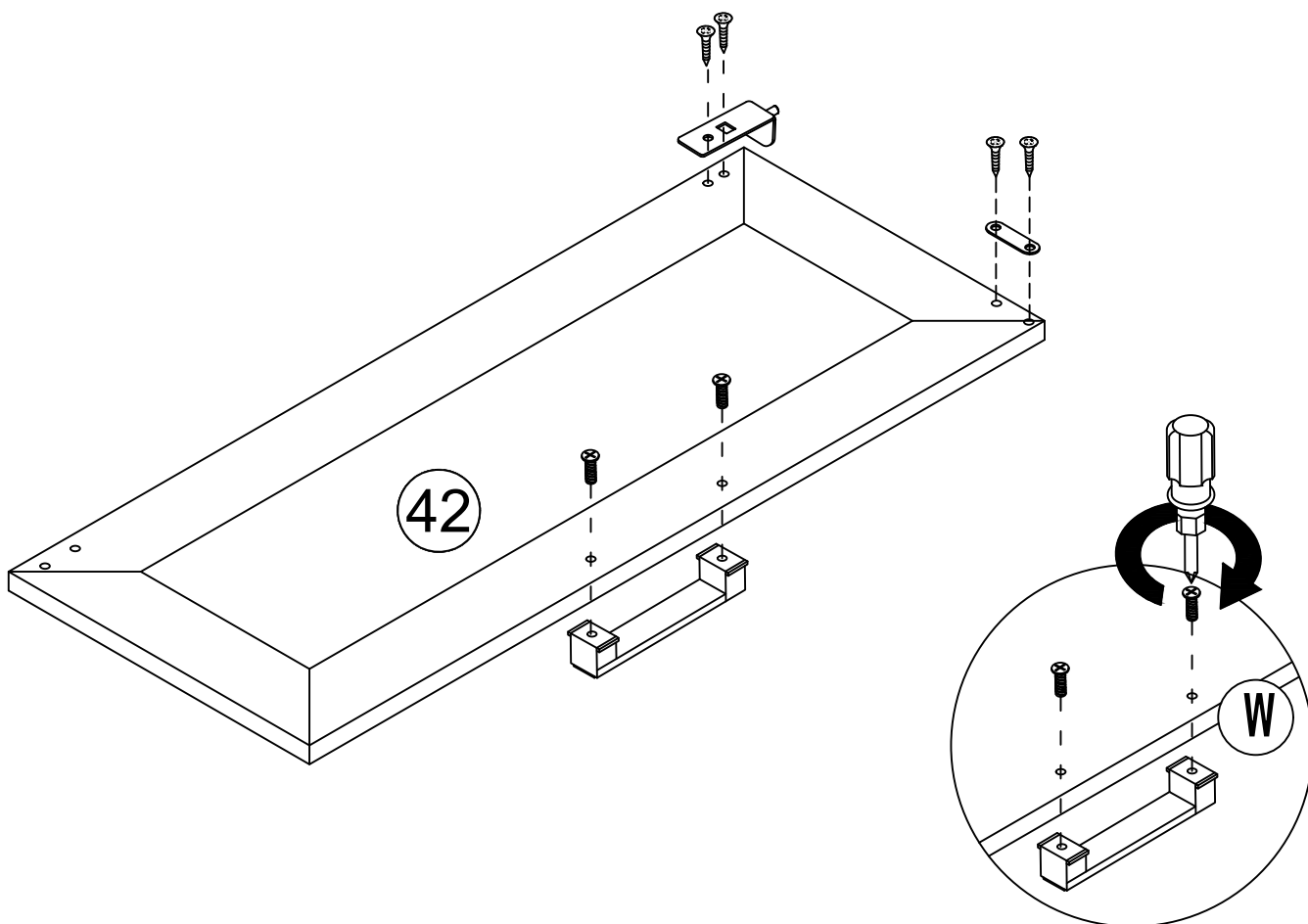


# Step 71




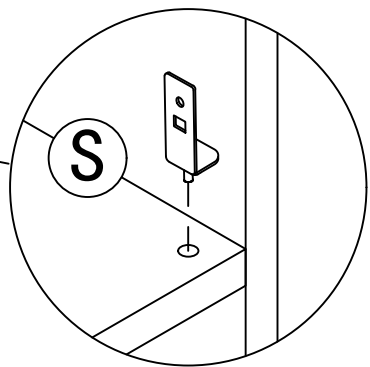
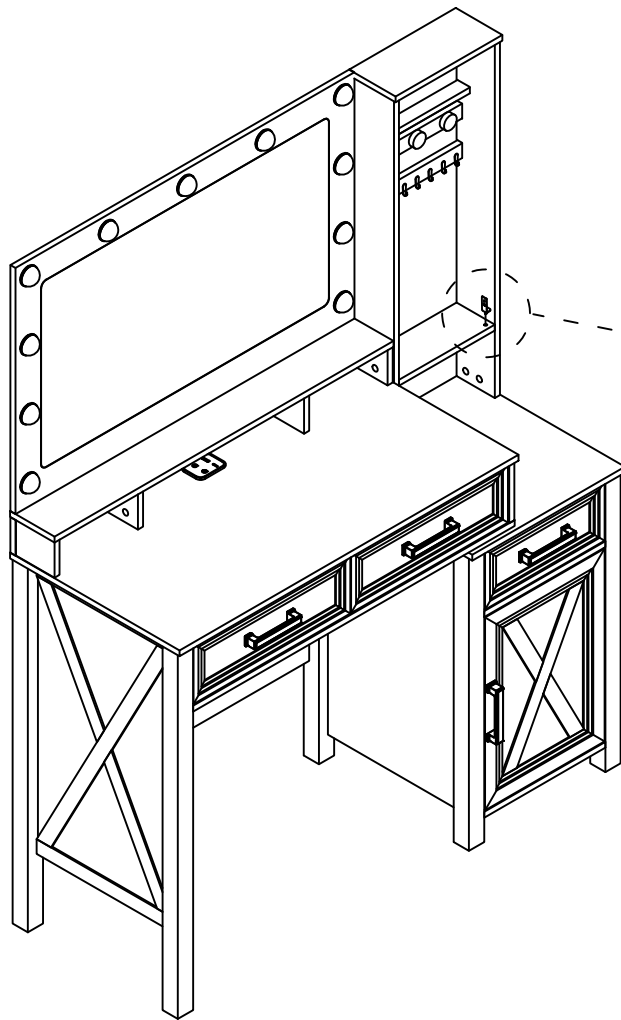
# Step 72

- I**  1pcs 2pcs x 1
- S**  1pcs 2pcs x 1
- W**  1pcs 2pcs x 1

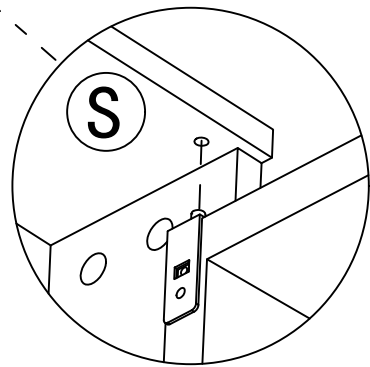
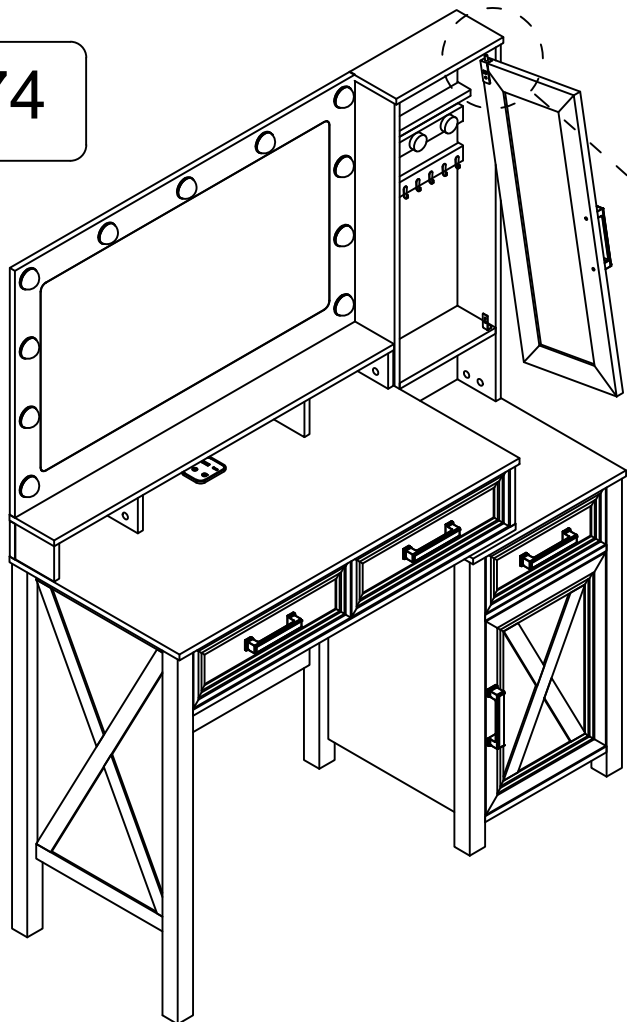


# Step 73

**S**  x 1

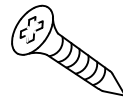


# Step 74

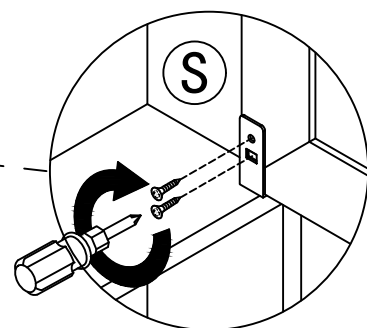
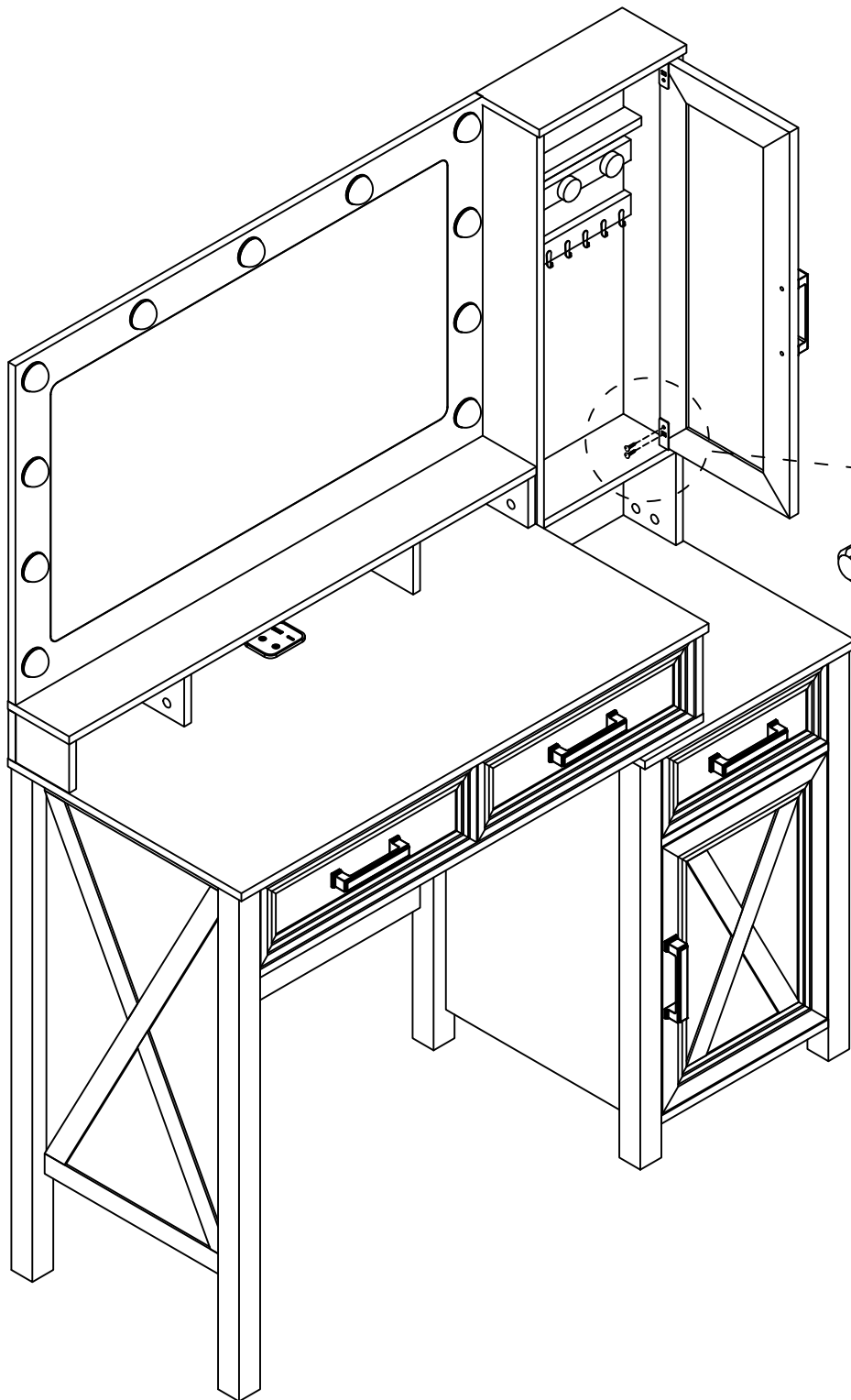


# Step 75

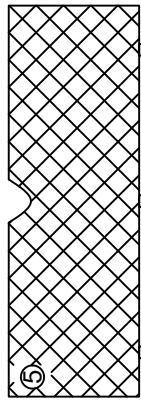
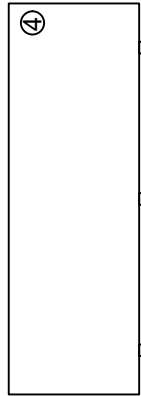
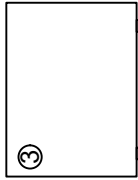
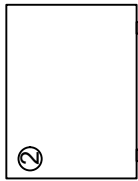
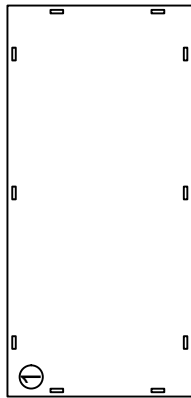
S



x 2

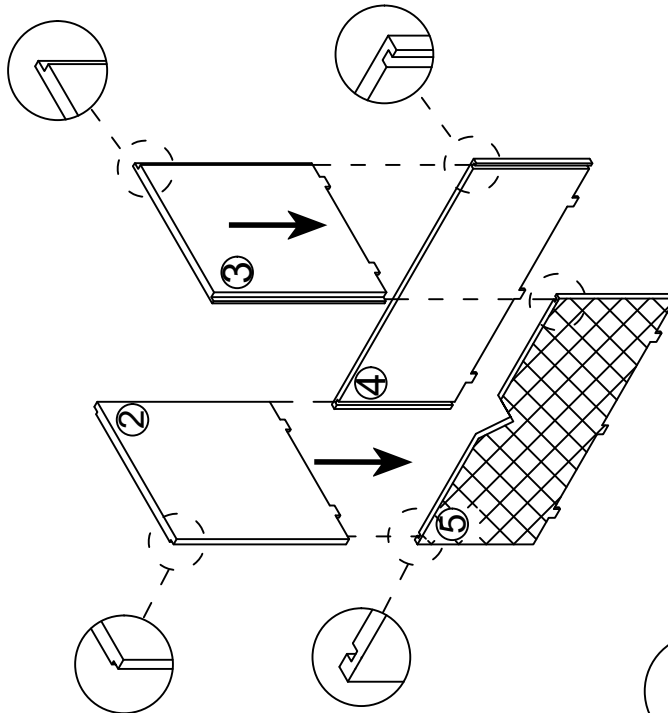
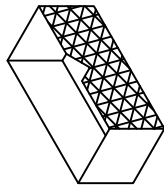


# Step 76

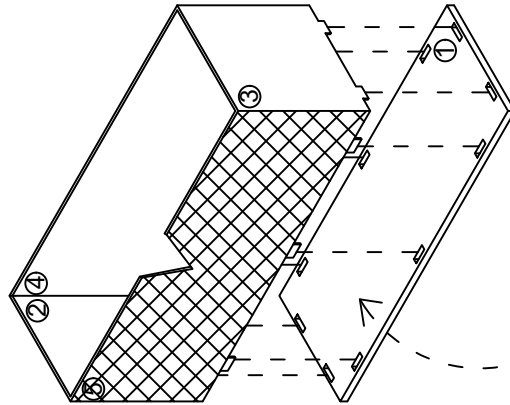


x 2

T



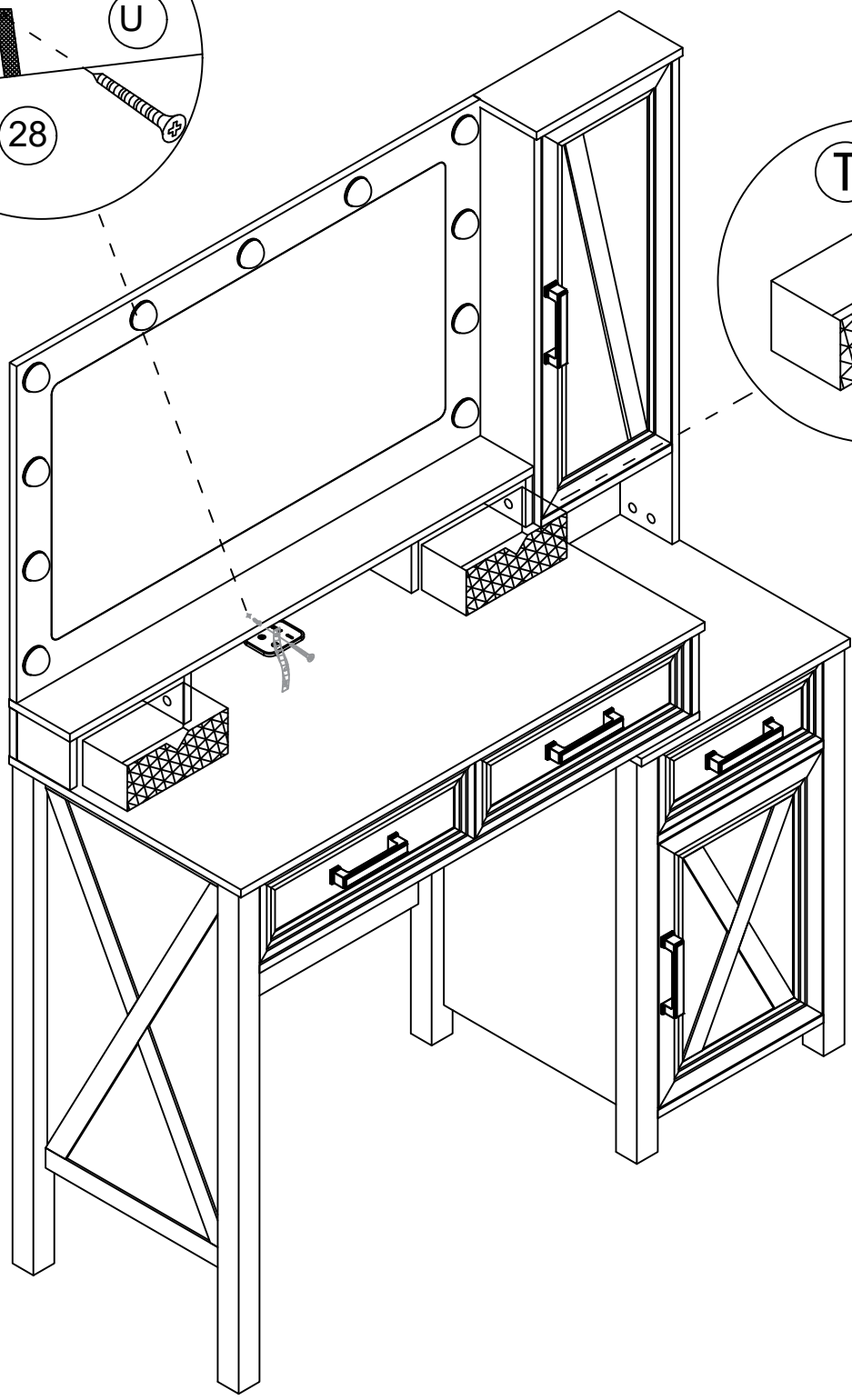
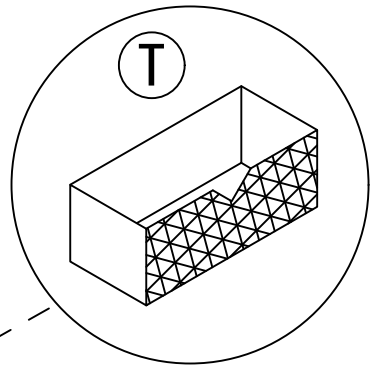
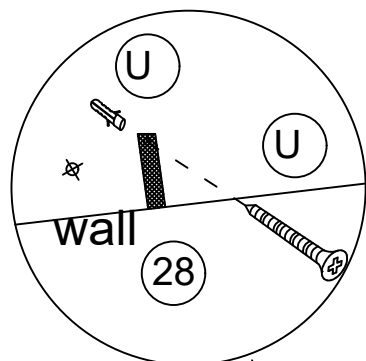
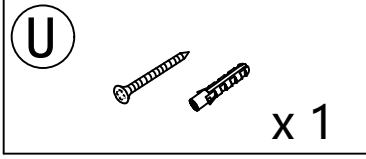
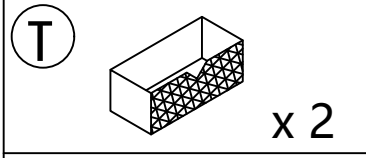
All the feet are on the same side





This side is slightly concave

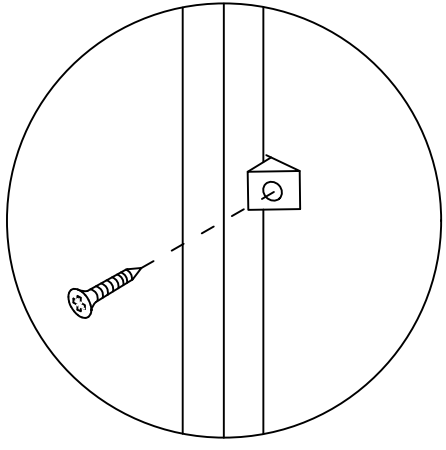
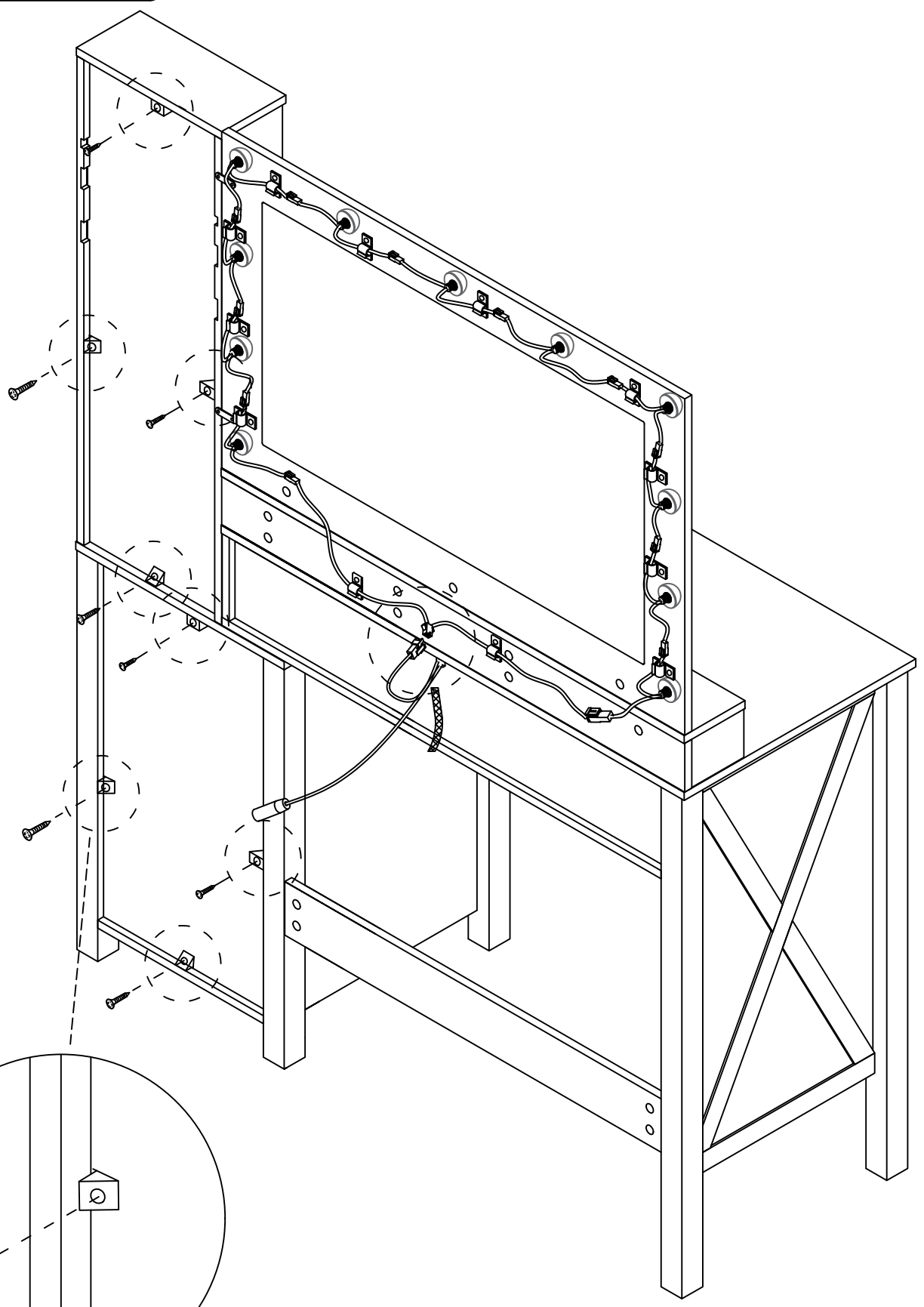
All the feet need to be inserted into the corresponding grooves.

# Step 77

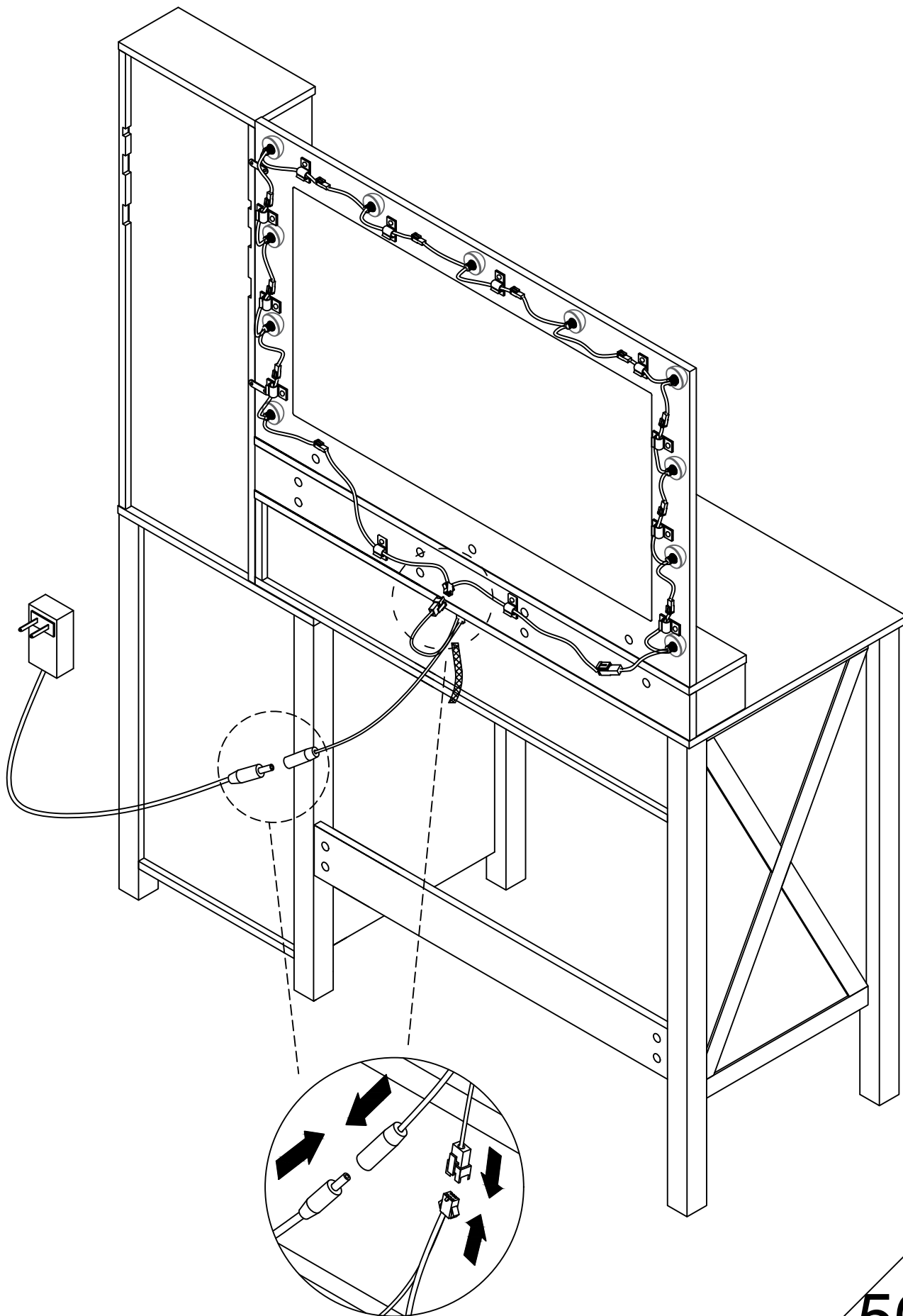
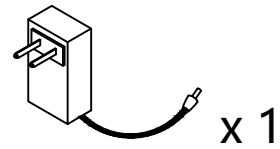


# Step 78

V  x 1  x 1



# Step 79



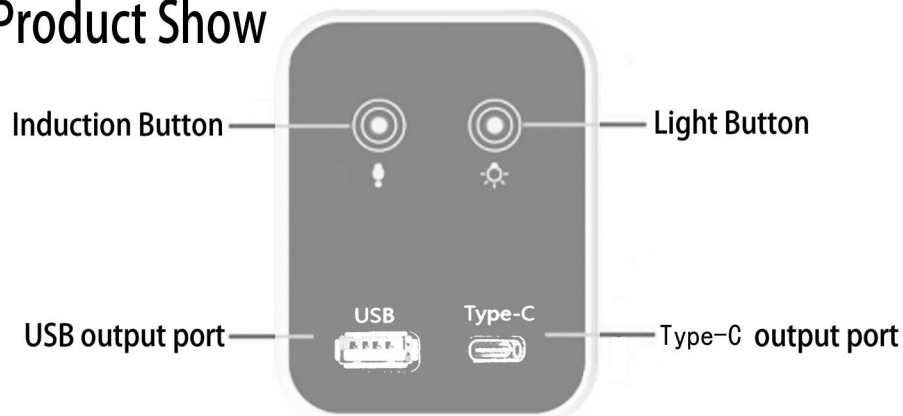
# User's Guide

Thank you for purchasing this product. To use this product, please plug it into a 12V DC power supply. Please use if the product works normally after connecting to power.

## Introduction

The box is an intelligent controller. It has 1 USB port and 1 type-C port and can distribute the current output up to 5V DC-2A. With 2 touch buttons, it can turn ON/OFF the light, change light colors, and adjust the light luminance.

## Product Show



### ATTENTION PLEASE

1. If there is no touch response suddenly, Re-plug the power to reset the touch static electricity.
2. If bubbles appear on the panel, remove the protective film.

## Operation



This touch button is used to turn on/off, change colors, and adjust brightness.

A. Short touch -> lighting on -> short touch -> change light color -> short touch -> change light color -> short touch -> lighting off. B. Long touch -> adjust the luminance



This touch button is used to turn on/off the induction function.

A. Short touch to turn on the induction function. It can auto-turn on the light when people are close to the controller in 1 meters. It can auto power off the light when the body is far away from the controller after 30 seconds.

B. Long touch to turn off the induction function.

C. Note: When you touch the light button to change the light modes, the induction function will automatically turn off. It is best to turn on this function after selecting the light color and adjusting the brightness you want.