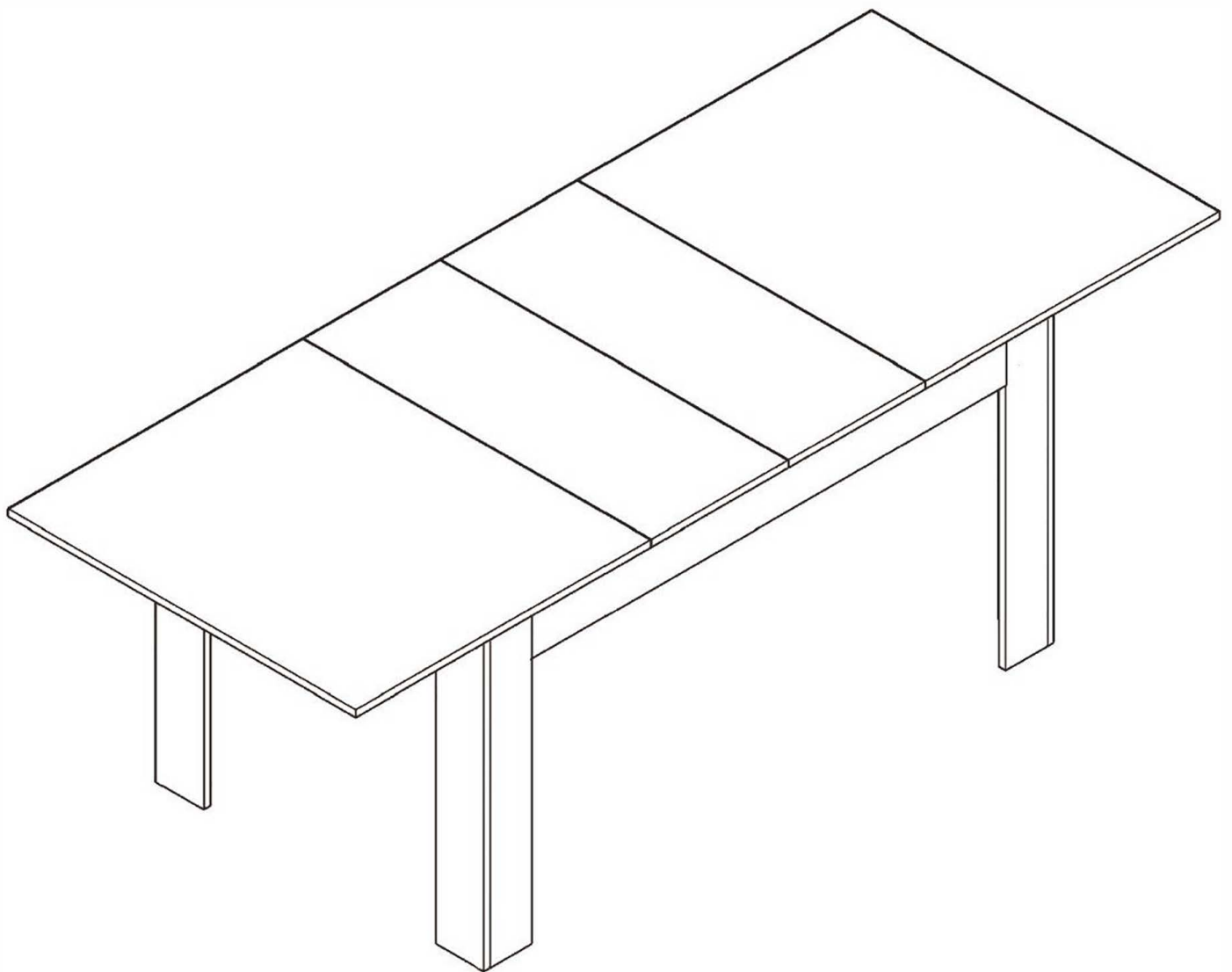


TELESCOPIC DINING TABLE



General Guidelines

- Please read the following instruction carefully and use the product accordingly.
- Please keep this manual and hand it over when you transfer the product.
- This summary may not include every detail of all variations and considered steps. Please contact us when further information and help are needed.

Notes

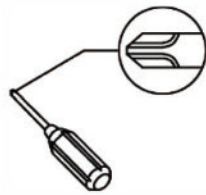
- The item is only intended for home use. Any uses that do not match the above description or unauthorized changes and modification are not permitted. Otherwise, it may result in personal injury or breakage of the product. The product must be assembled and used strictly in accordance with the provisions of the manual. The seller does not assume any responsibility or liability with respect to any damage caused by incorrect assembly or improper use.
- It is recommended to assemble it by 2 adults. Please read instructions carefully and assemble the item according to the instruction.
- Please check parts first after unpacking. If there are defective, broken or missing parts, please do not hesitate to contact.
- Please assemble the item in spacious room and do not place the unwrapped product directly on the ground.
- It is recommended to wear gloves in the assembly to avoid scratches by the sharp edges.
- Do not stand or sit on the wooden boards before the assembly.
- Please match the corresponding board and fitting based on the part number in the manual.
- If the board does not match with the fitting, please check the pieces as specified in this manual.
- Please refer to the diagram during assembly. Align all the screws with the related pre-drilled holes first and later tighten the screws one by one after putting all the parts in the correct places.
- Please remove all items on the product before moving.
- Two people are required to move the product as the item should be lifted off the ground. Please do not drag it along the floor as it may damage your floor.
- Do not expose the product to direct sunlight or rain. Do not put it in a humid place. Failure to do so may accelerate the distortion, discoloration or crack. Do not leave sharp objects. Do not pour corrosive chemicals on the surface of the board.
- For daily care, please clean with a damp cloth and wipe dry immediately .

Warnings

- It is not intended for use by children under 3 years of age. Children must be under adult supervision to use the product.
- Children are not allowed to climb or play on the item to avoid toppling over which may cause serious or fatal injury.
- During the assembly process, keep small parts out of the reach of children. It may be fatal if small parts are swallowed or inhaled.
- To avoid the potential dangers of suffocation, please keep all parts and packaging (films, plastic bags and foam,etc.) away from babies and children.

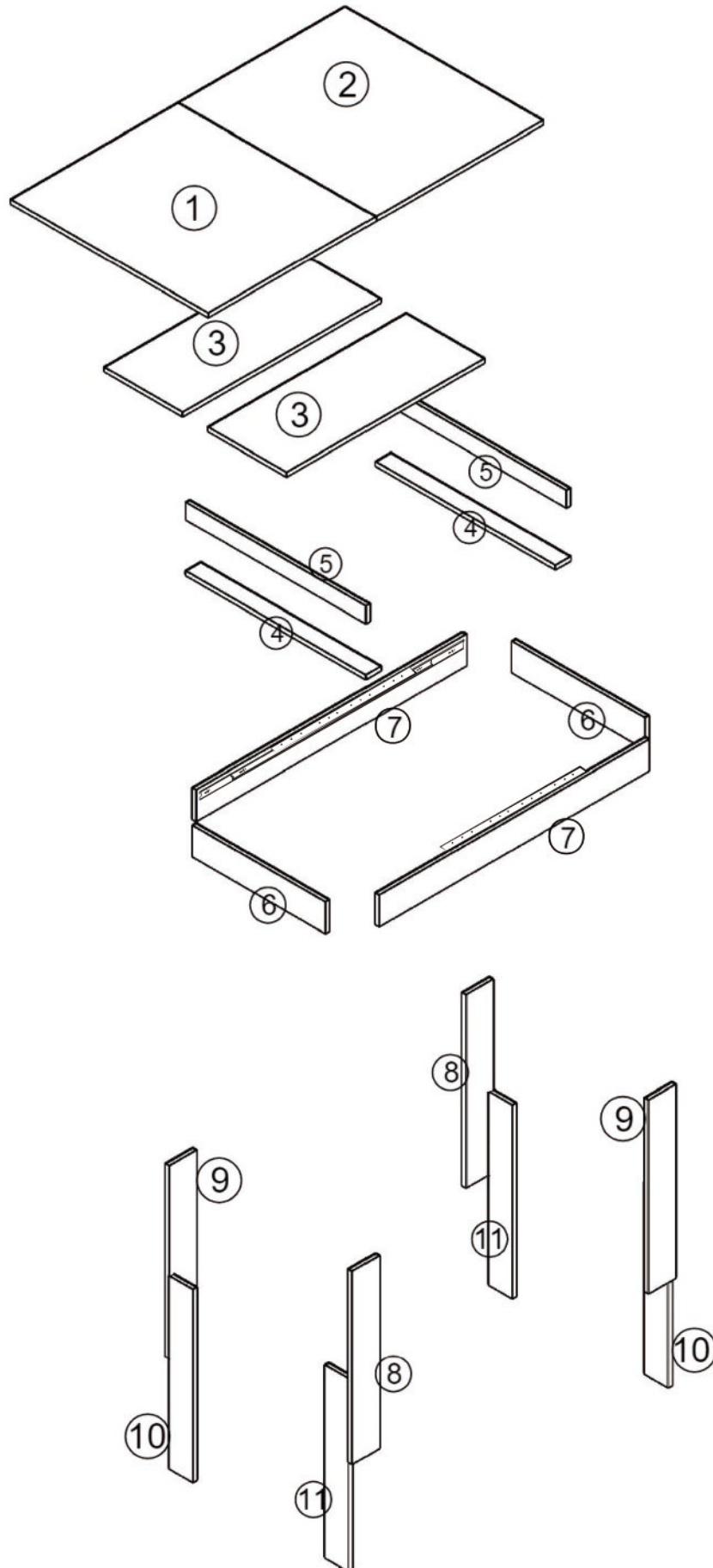
General Assembly Guidelines

- I. Ensure that all parts and hardware are available before beginning assembly.
- II. Follow each step carefully to ensure the proper assembly of this product.
- III. Two people are recommended for ease in the assembly of this product.
- IV. The three main types of hardware used to assemble this product are: wood dowels, screws and bolts.
- V. A Phillips head screwdriver is required for the assembly of this product.


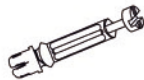






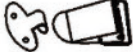



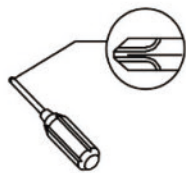
- VI. Power tools should not be used to assemble this product.
- VII. Concealed hinges are three-way adjustable.

Part List



Hardware List

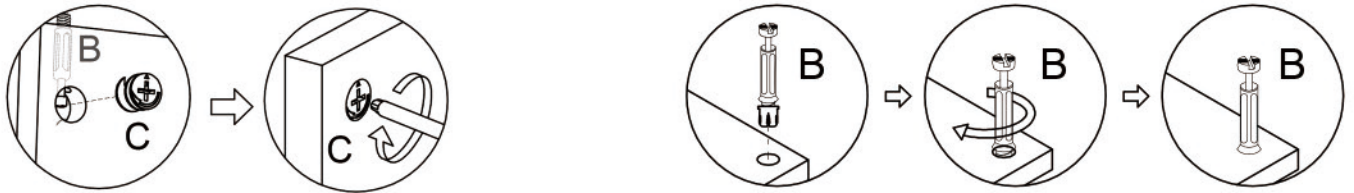
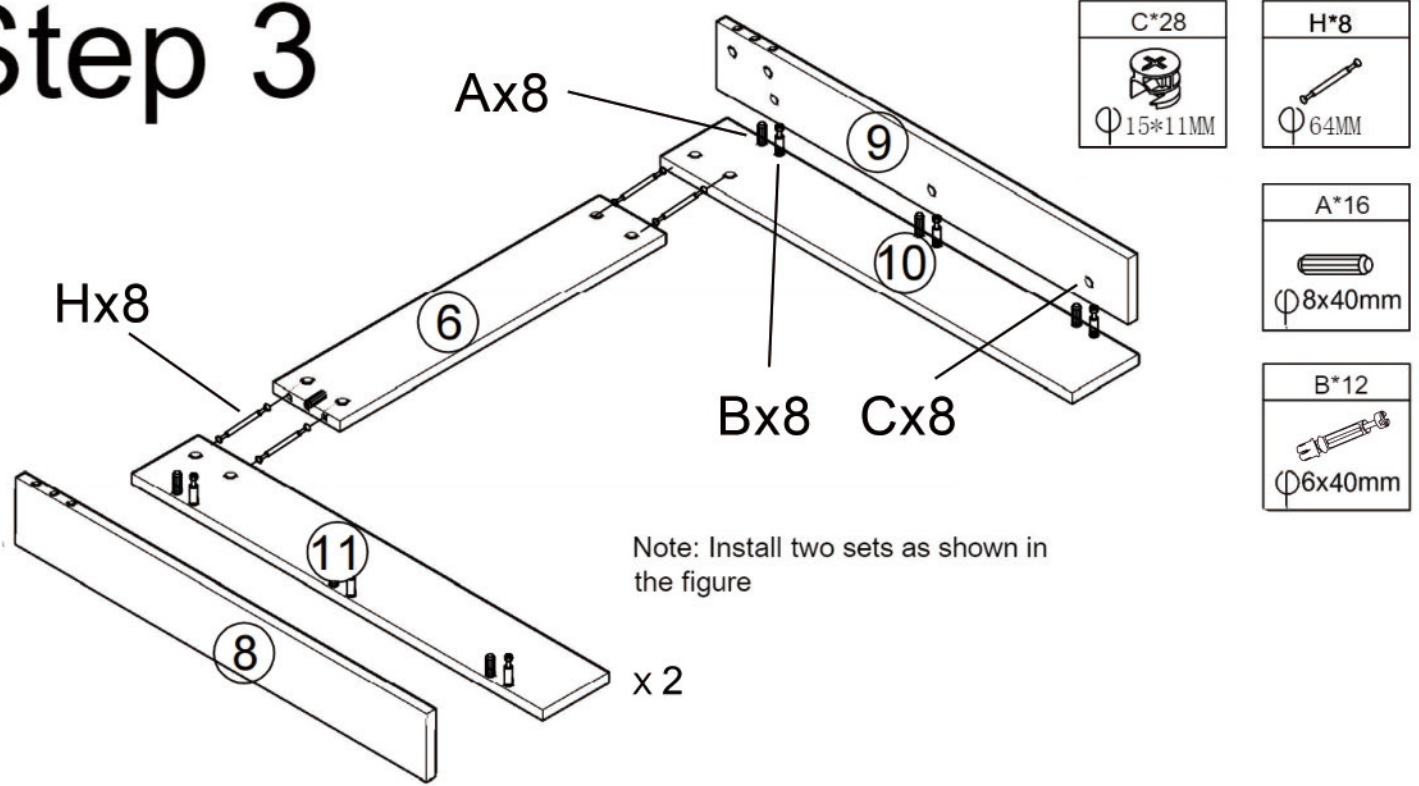
A		φ8x40mm	Wooden dowel	28 PCS
B		φ6x40mm	Cam bolt	26 PCS
C		φ15x11mm	Cam lock	58 PCS
D			Sticker	12 PCS
E		φ2.5x12mm	Screw	24 PCS
F		φ3.5x14mm	Screw	64 PCS
G			Flat iron	8 PCS
H		φ64mm	Double headed pole	16 PCS
I			Table top fixing parts	6 PCS
J		φ1415mm	Sliding rail	2 PCS



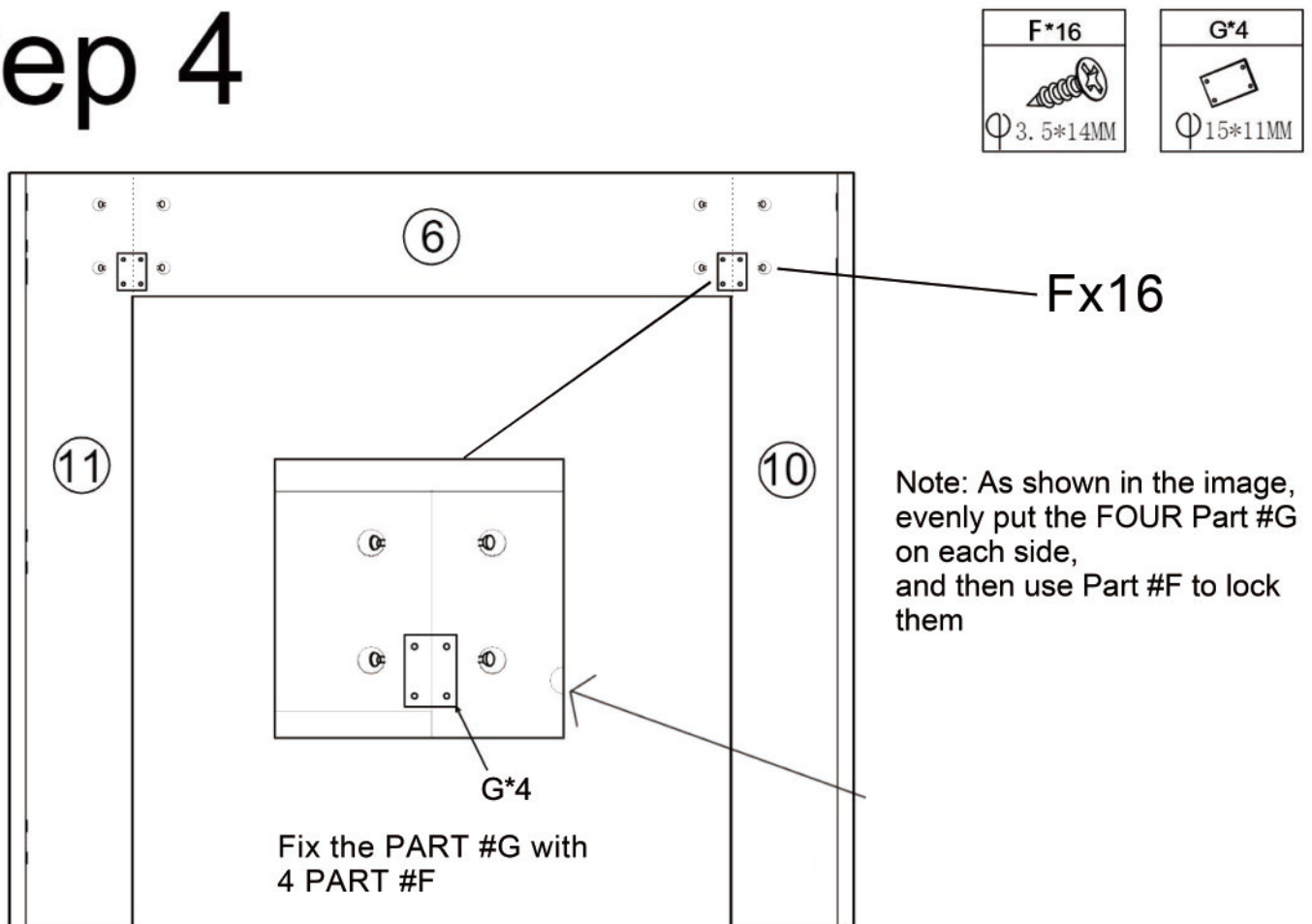
Philips head screwdriver required for assembly
(not included)

*The hardware quantities listed above are required for proper assembly.
Some extra hardware may also have been included.*

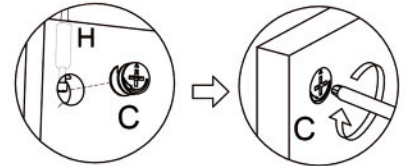
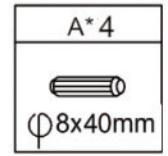
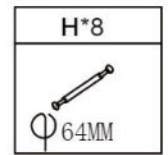
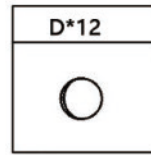
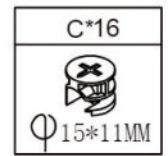
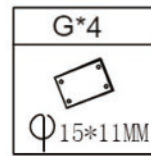
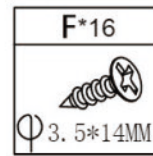
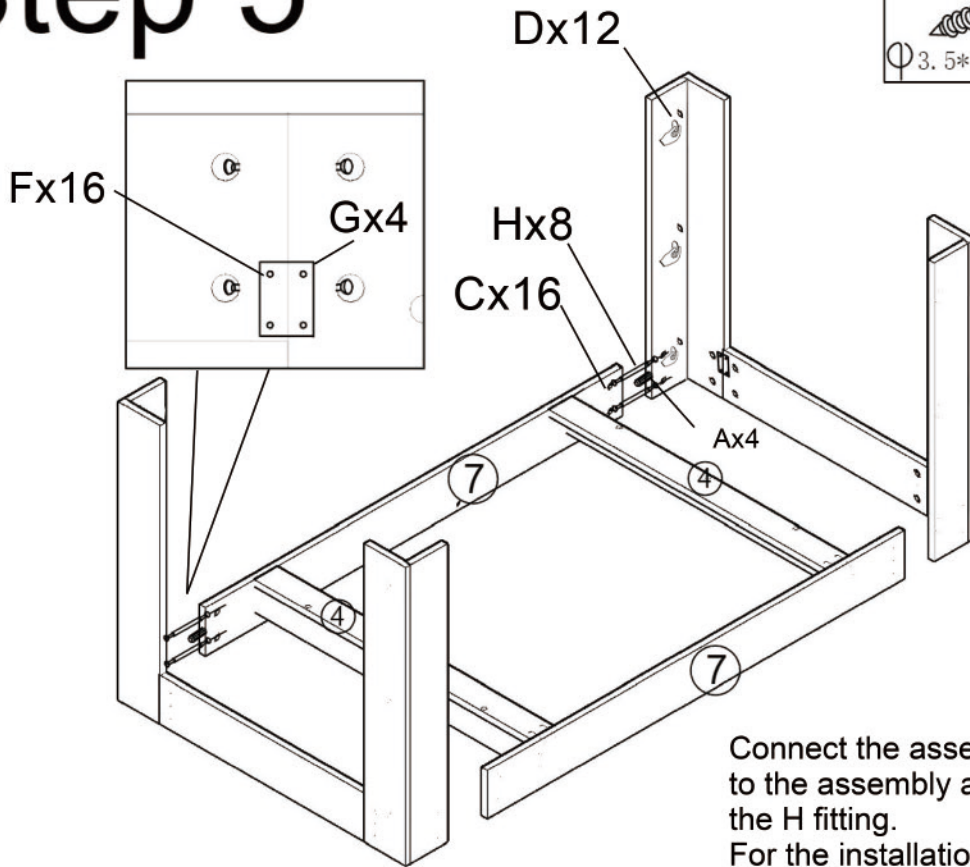
Step 3



Step 4



Step 5

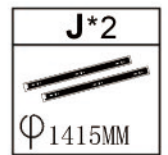
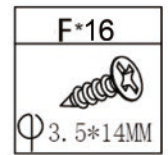
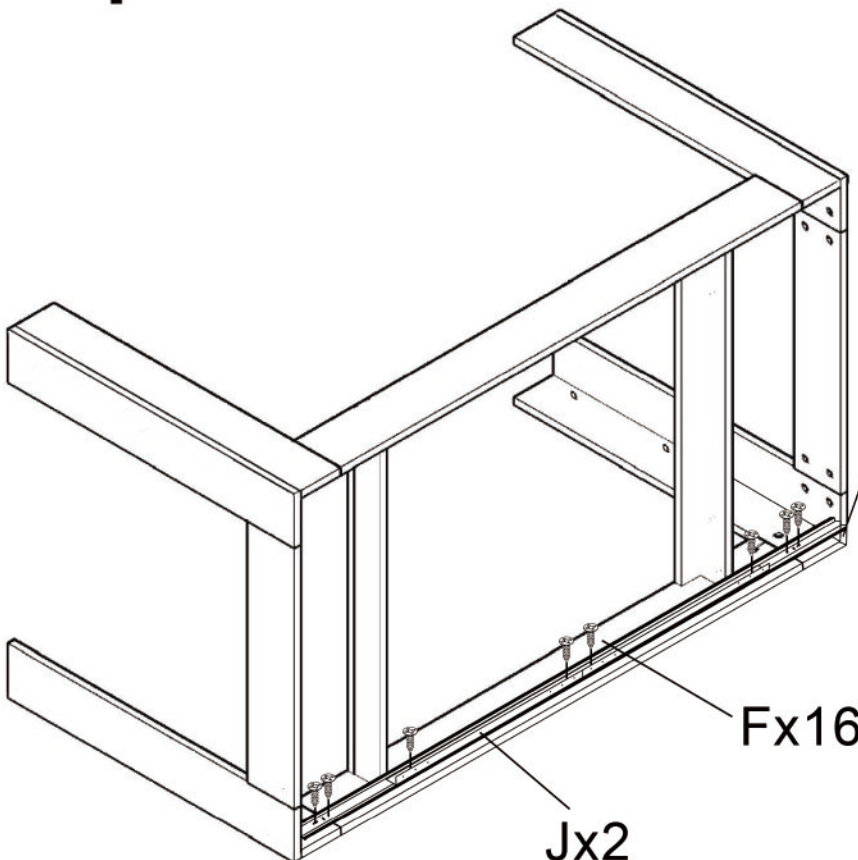


Connect the assembly assembled in Step 2 to the assembly assembled in Step 3 with the H fitting.

For the installation method of PART #H and PART #G, please refer to the third and fourth steps.

PART #D is used to cover the four wooden leg parts shown in the image.

Step 6

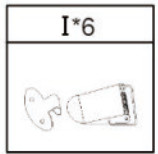
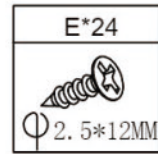
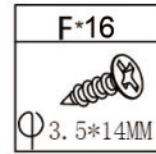


Slide Rail×2
Symmetrical installation

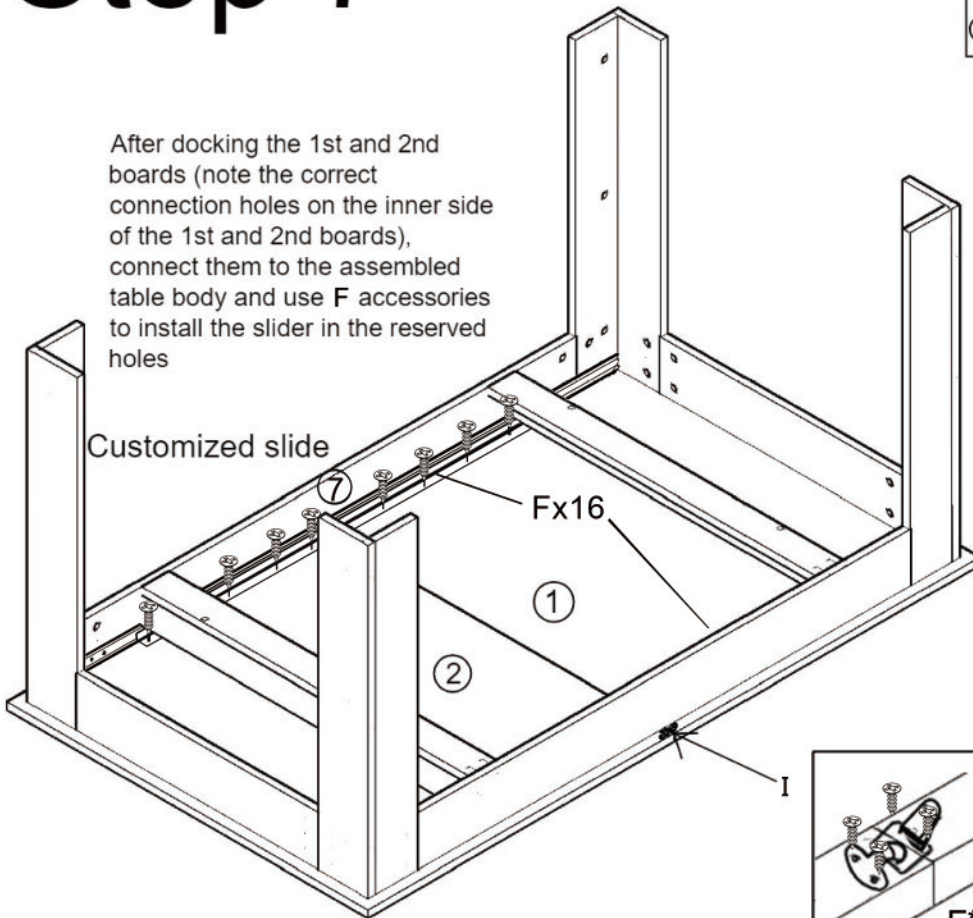
Attention 1: The TOP & Bottom are not the same, make sure you had find the difference

Attention 2: Align the slide rail with Part #G and install it at the reserved hole position

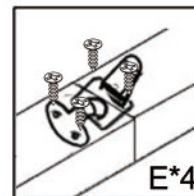
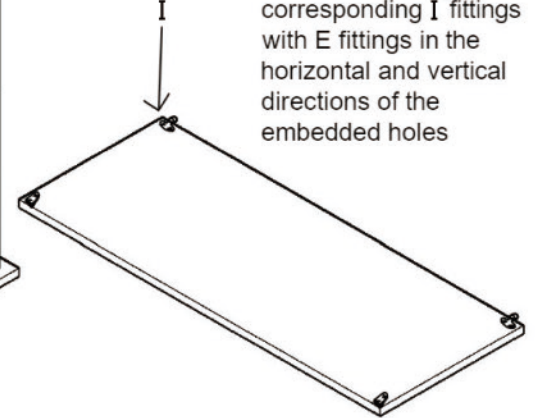
Step 7



After docking the 1st and 2nd boards (note the correct connection holes on the inner side of the 1st and 2nd boards), connect them to the assembled table body and use F accessories to install the slider in the reserved holes

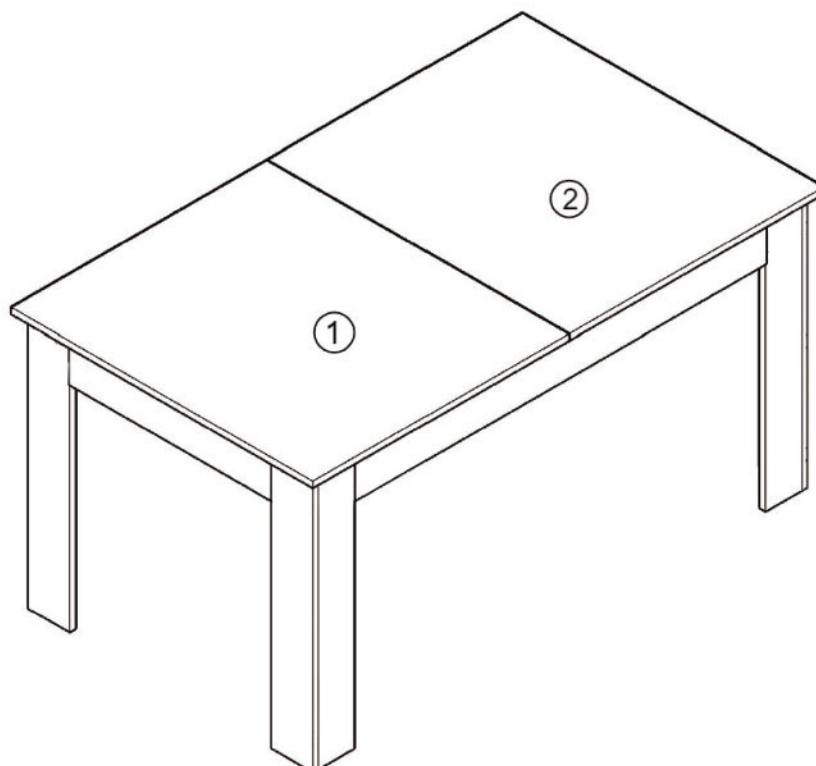


Note: Install the corresponding I fittings with E fittings in the horizontal and vertical directions of the embedded holes



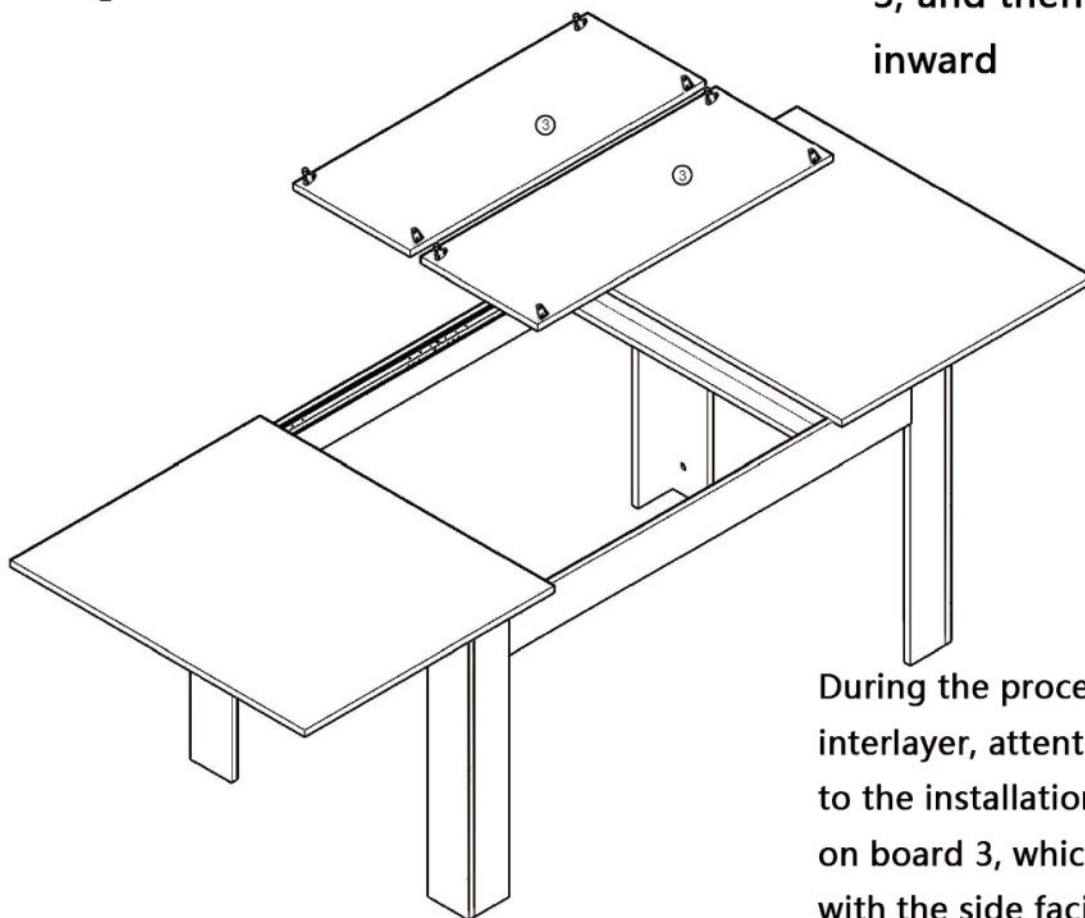
Be careful to grip your hands and pay attention to the installation direction during the installation process

Step 8



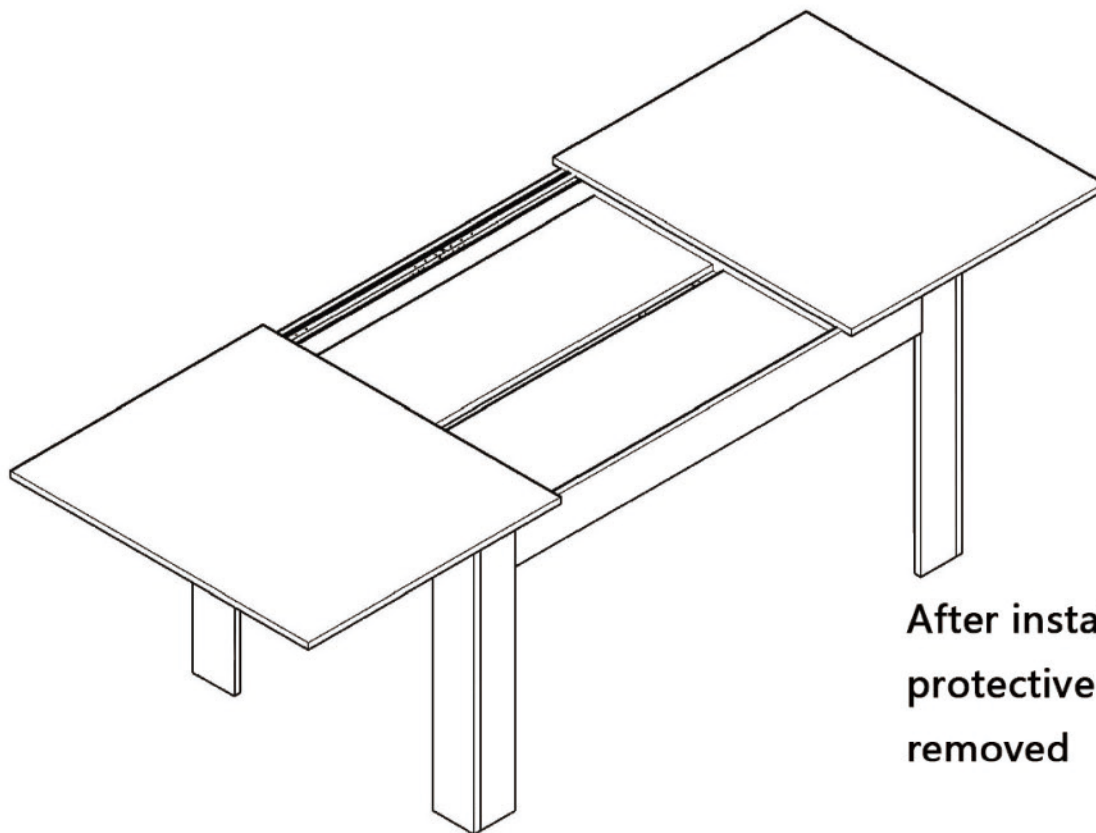
Step 9

First tilt one side of board 3, and then place it inward



During the process of inserting the interlayer, attention should be paid to the installation of I accessories on board 3, which can be placed with the side facing upwards

Step 10



After installation, the protective film can be removed

Step 11

