

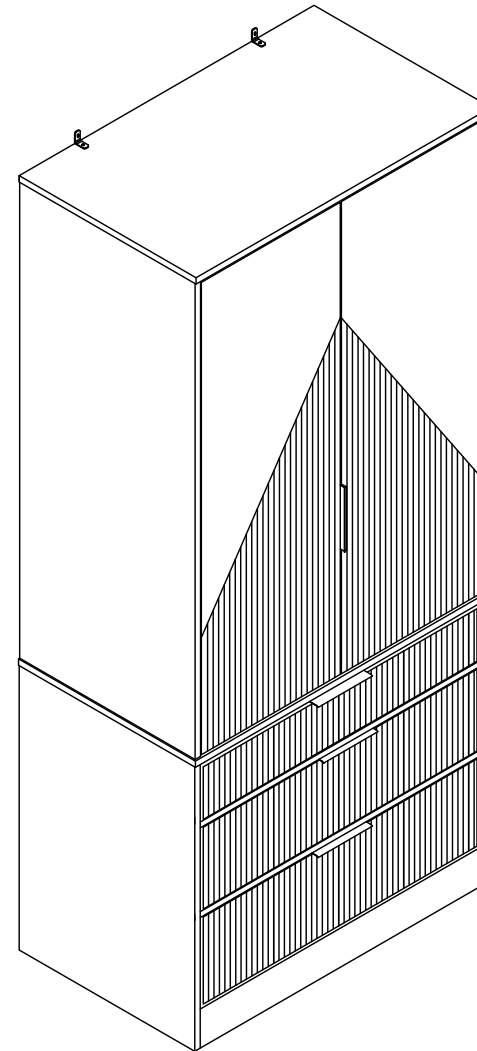
Instruction Book

For specification: 80cm(L)x48cm(W)x182cm(H)

WC-9108 instruction manual



How to adjust kitchen
cabinet doors that
won't align or close ?
just SCAN the QR cod



Recommend
two people
to install
it together

STEP 18

Please don't tighten the screws completely and go back later for a final tightening of all the screws after pieces are aligned with each other. If you have any question, please feel free to contact us by Wayfair email

Foreword:

Thank you for choosing our product! We hope you have a good shopping experience! We aim to provide a 100% satisfaction product and customer service. If the received product has missing parts or components, arrived damaged, dissatisfaction with the order, or has questions about the assemble, please do not hesitate to contact us. Our customer service will reply within 12 hours.

Specifications:

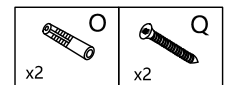
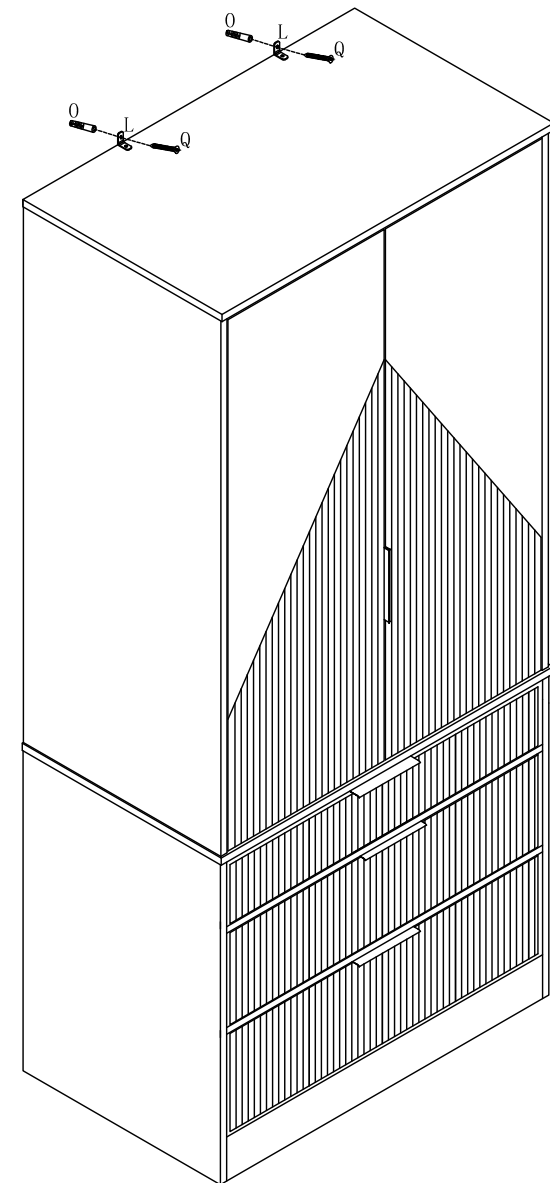
Product name: Freestanding Armoire Wardrobe Closet

Model: WC-9108

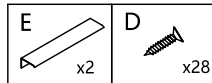
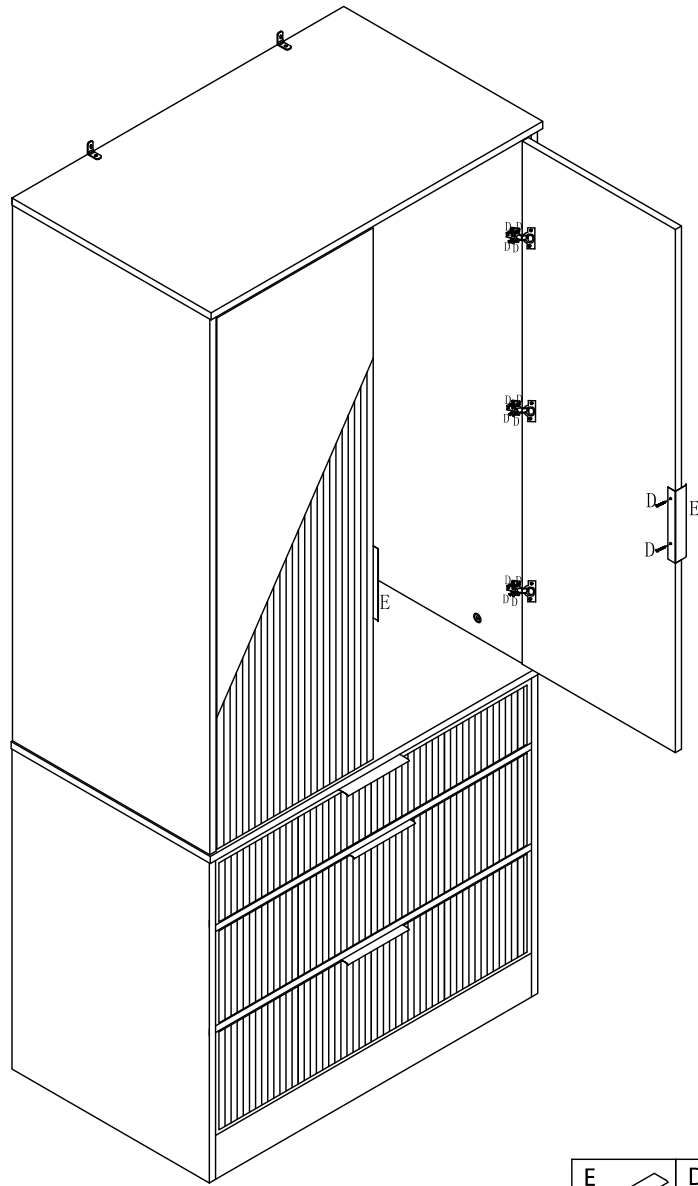
Package Dimension: 47.2x21.6x9.3in/120*55*23.5cm

Product Size: 31.5x18.9x71.6in/80x48x182cm

Weight: 113lb/52KGS



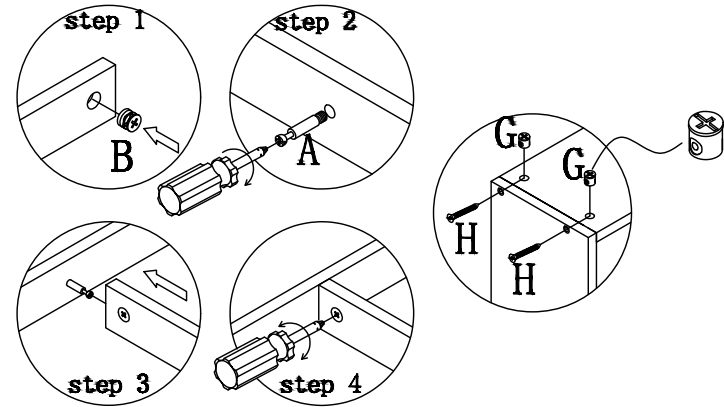
STEP 17



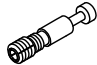













WC-9108

Left cabinet

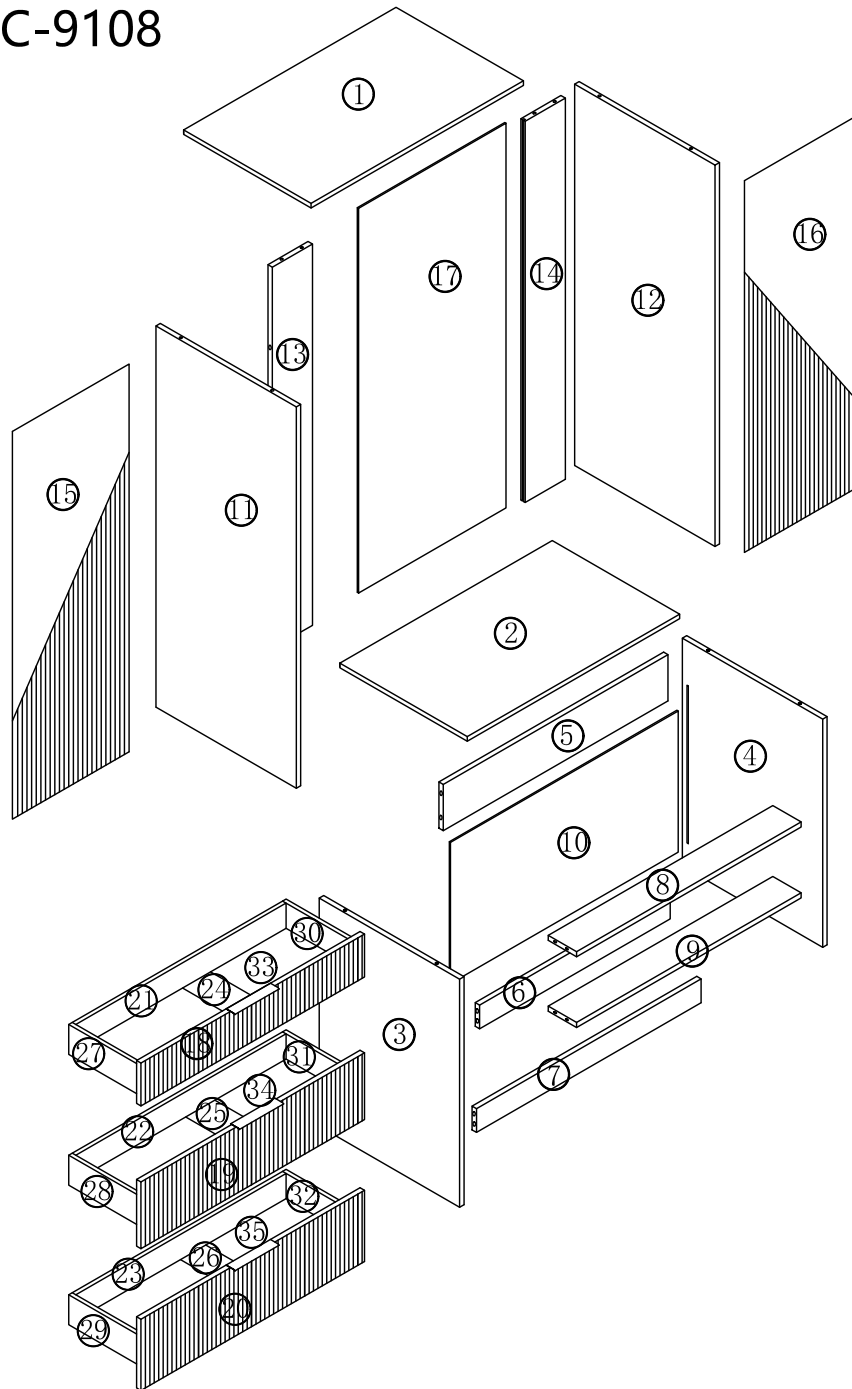
A, B, G, H, C, D installation guide



Accessories

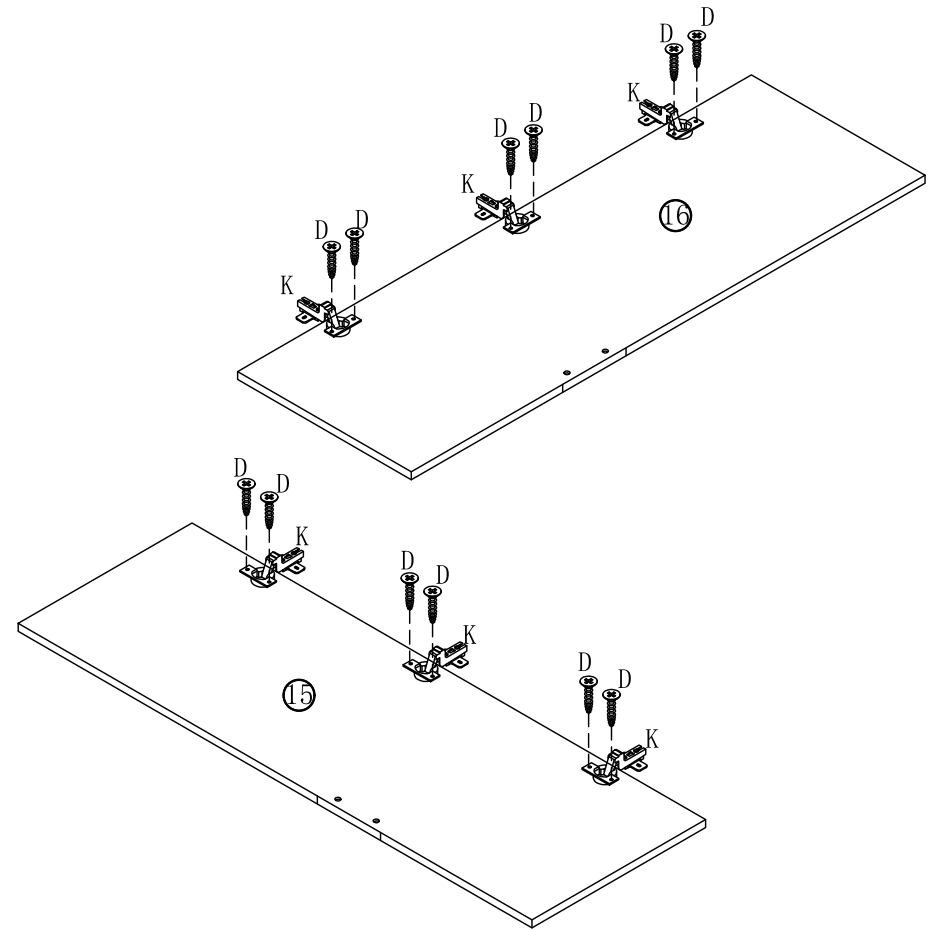
 Three-in-one screw A*66	 Three-in-one nut B*66	 drawer Track C*6	 Small Screw D*86		
 Handle E*5	 Small Screw X*16	 Stool foot nail M*10	 Door hinges K*4	 Clothes hook U*2	 Clothes rail I*1
 L*2	 Magnetic collision T*1	 Setscrew O*2	 Small Screw Q*2	 screwdriver Z*1	

WC-9108



3

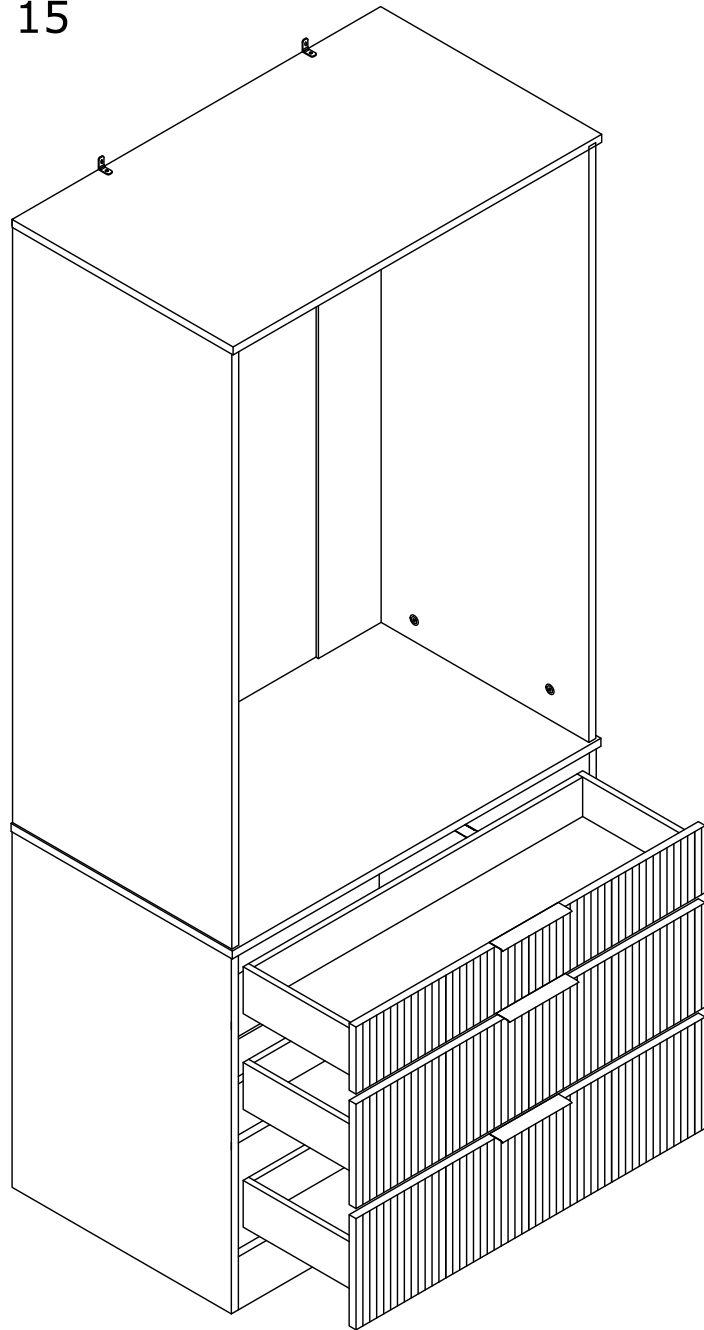
STEP 16



20



STEP 15

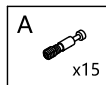
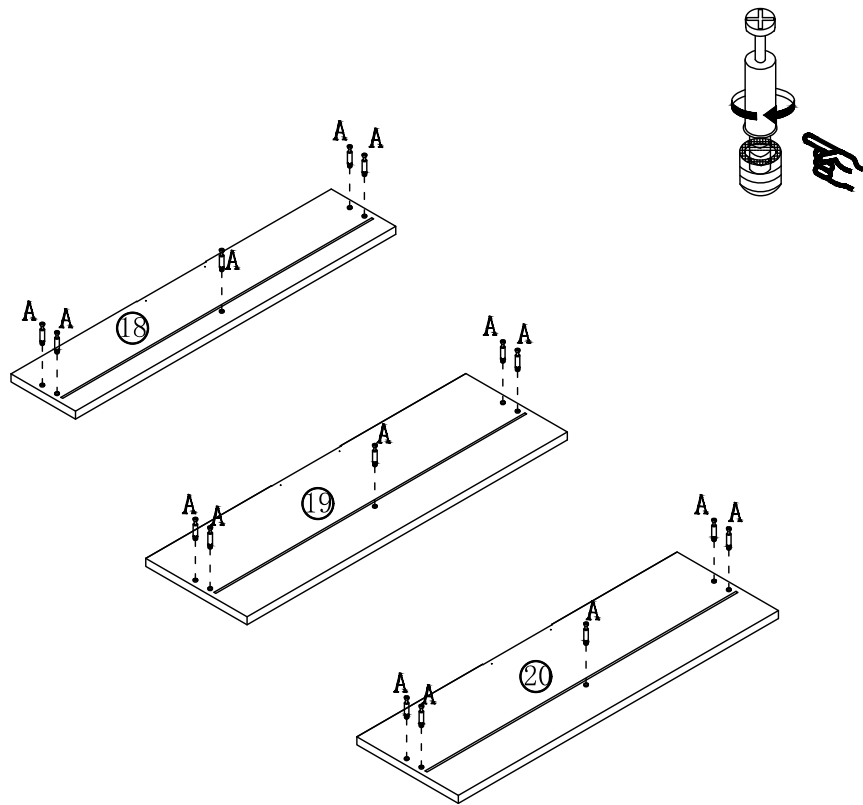


Guidelines for the use of 3-in-1 connecting rods:
The blue screw cap at the bottom of the 3-in-1 connecting rod is twist-able, and it can be twisted clockwise or counterclockwise to fit the size of the reserved holes in the wooden board.

When you use this 3-in-1 connecting rod, if you find that it can't be inserted into the reserved holes on the wooden board, just loosen the blue screw cap a bit until it fits into the holes of the board. Then use a screwdriver to tighten the screws. Note: If the bottom blue screw cap is not stretched apart by the three-in-one connecting rod in the reserved hole, the connected part will appear unstable .

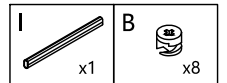
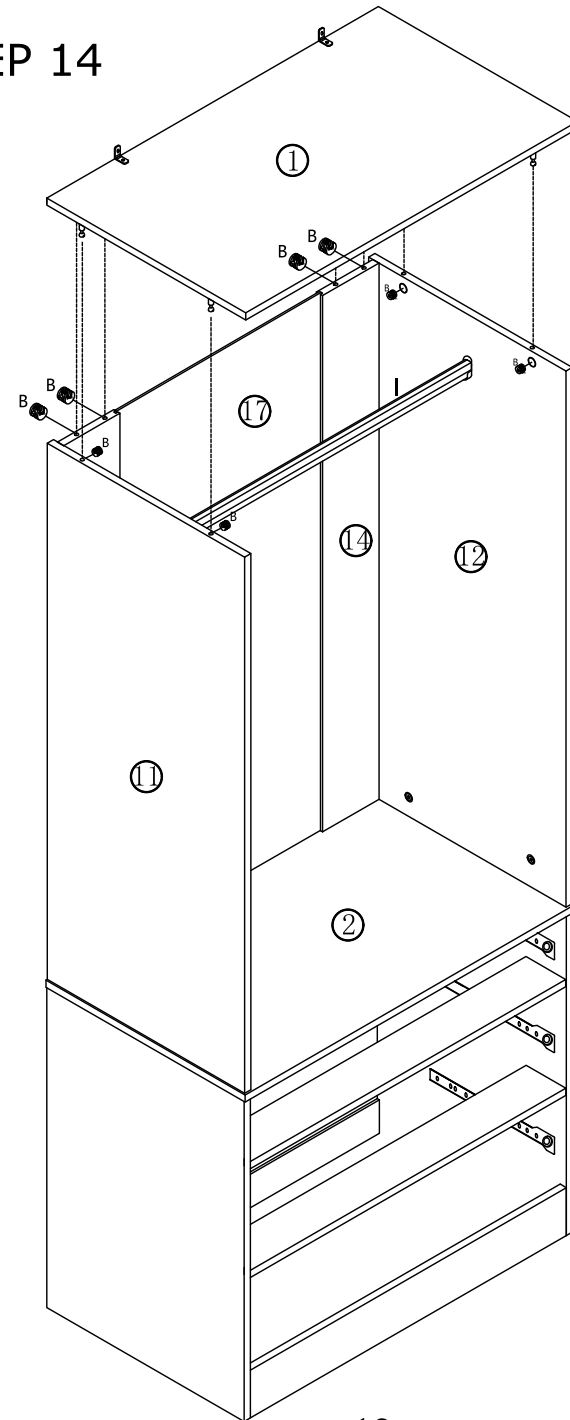
STEP 1

Put it into the reserved holes and tighten the screw



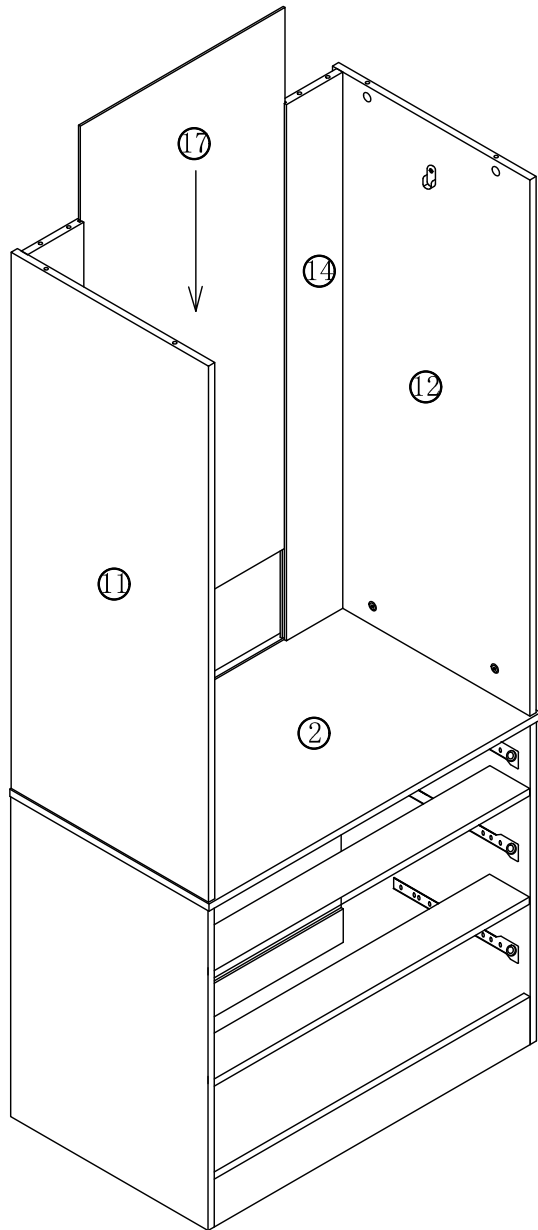
5

STEP 14

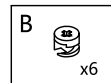


18

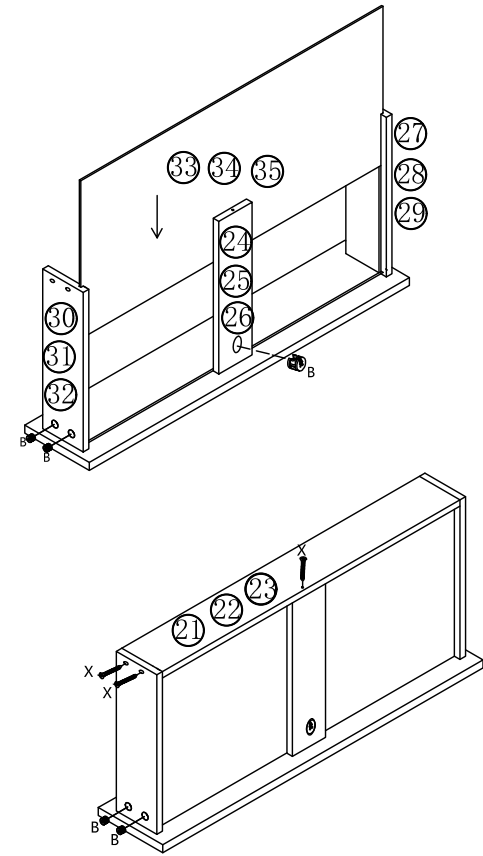
STEP 13



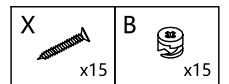
17



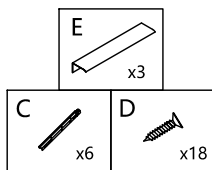
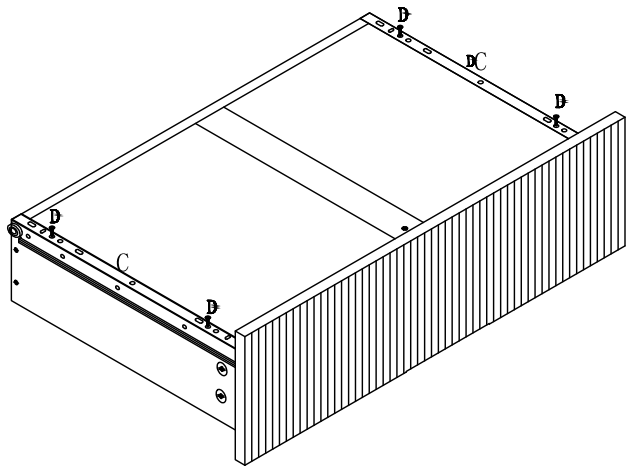
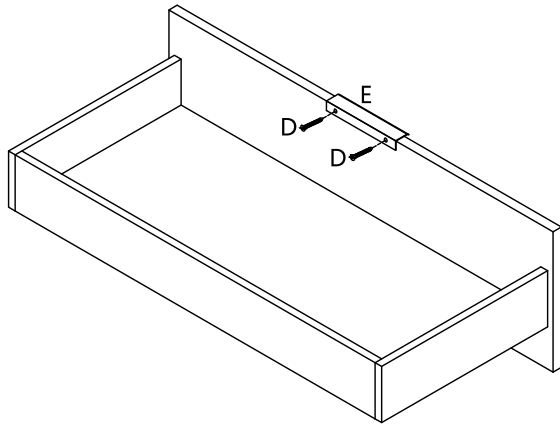
STEP 2



6

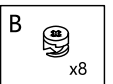
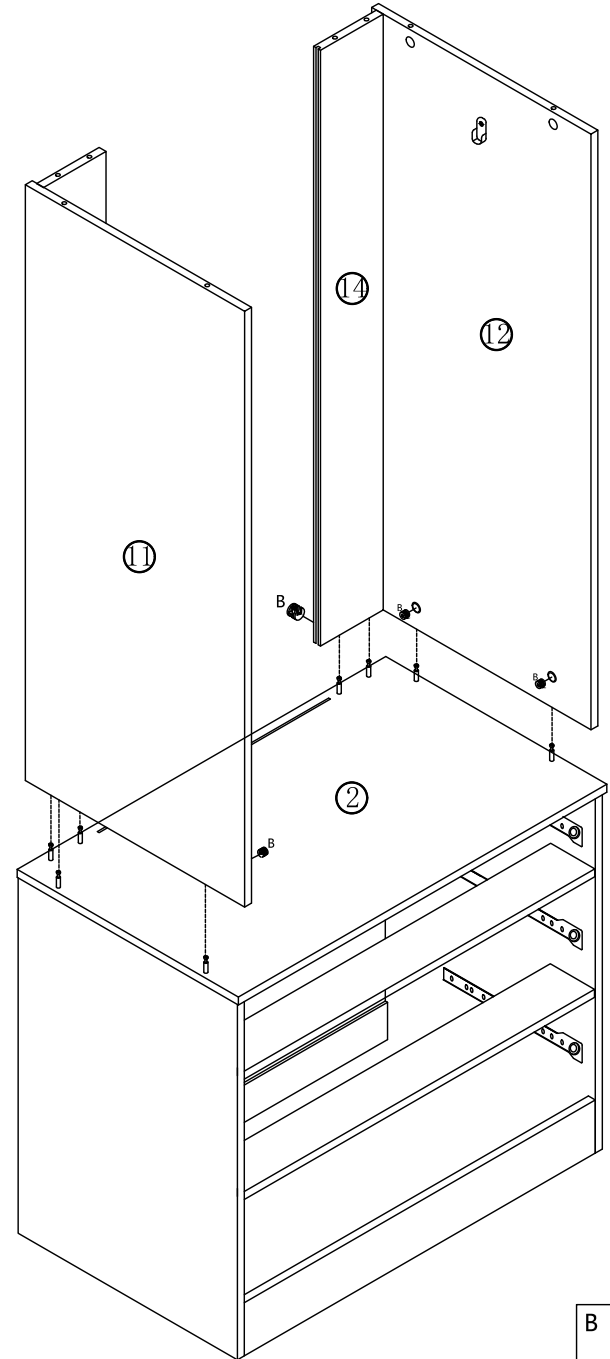


STEP 3



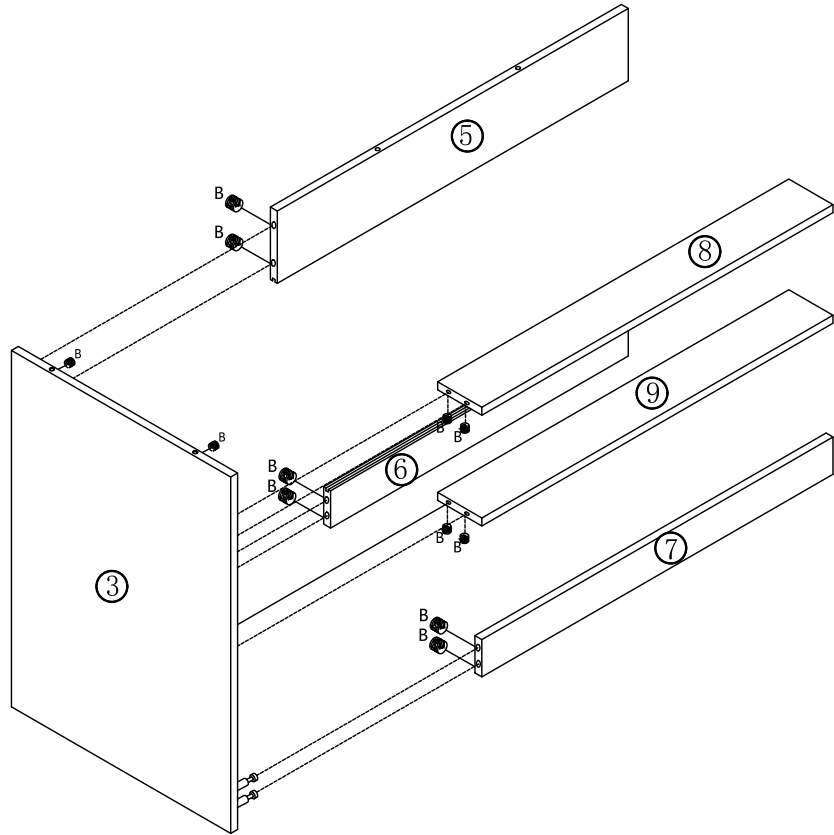
7

STEP 12

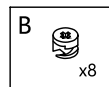


16

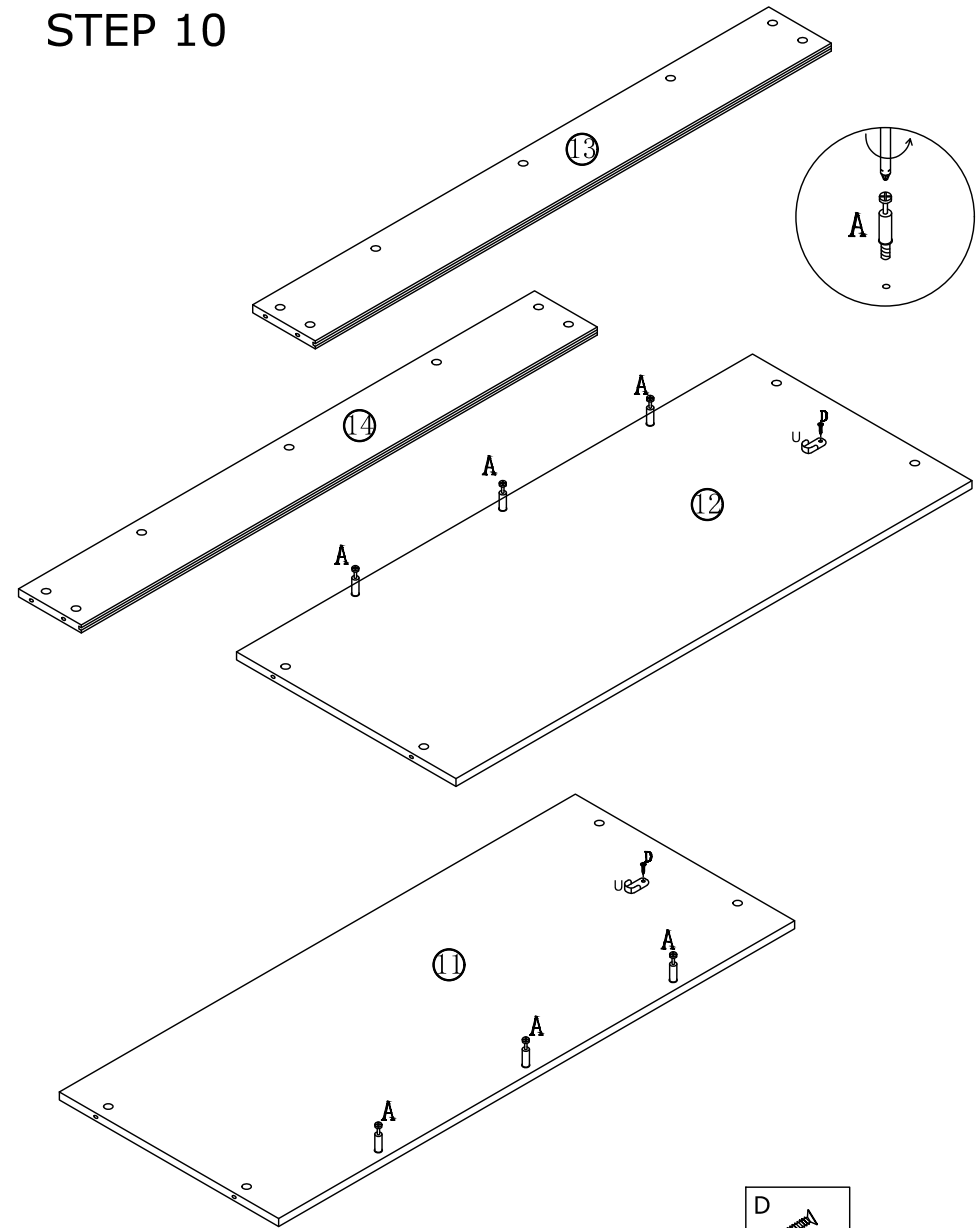
STEP 5



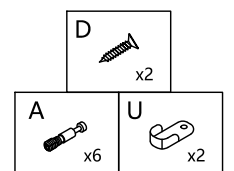
9



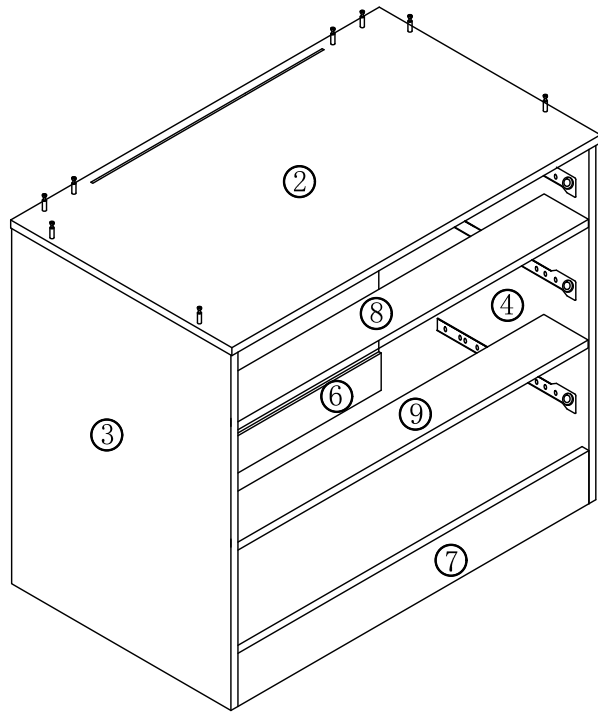
STEP 10



14

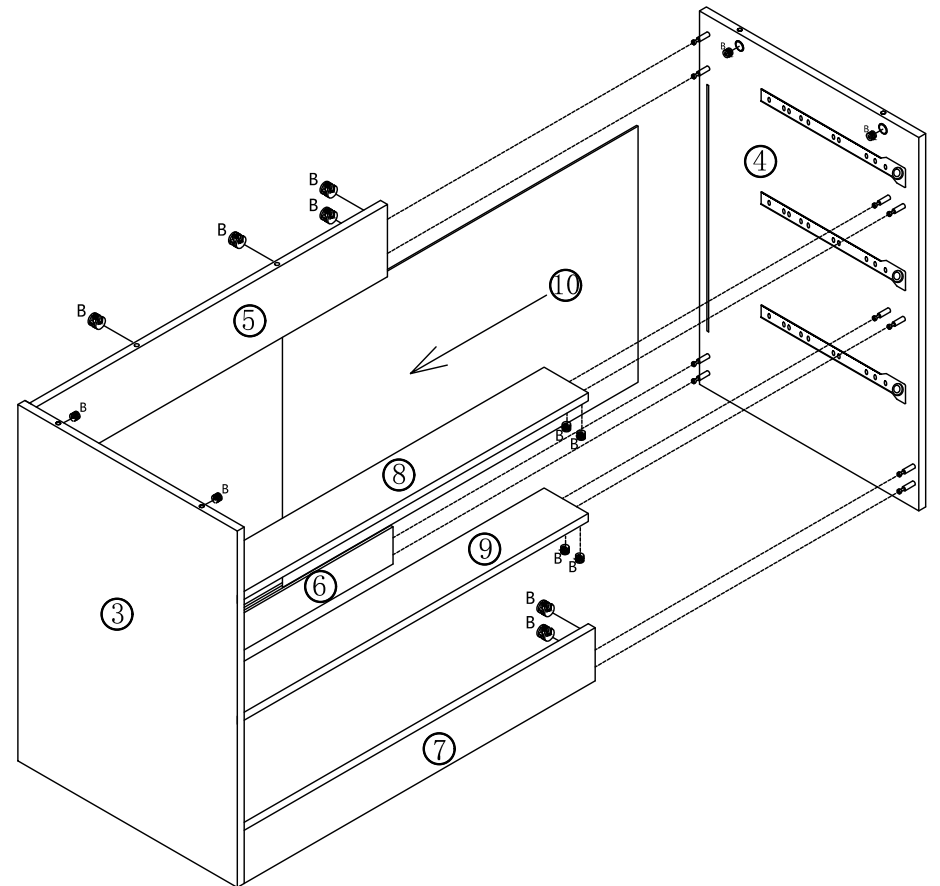


STEP 9

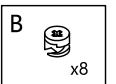


13

STEP 6

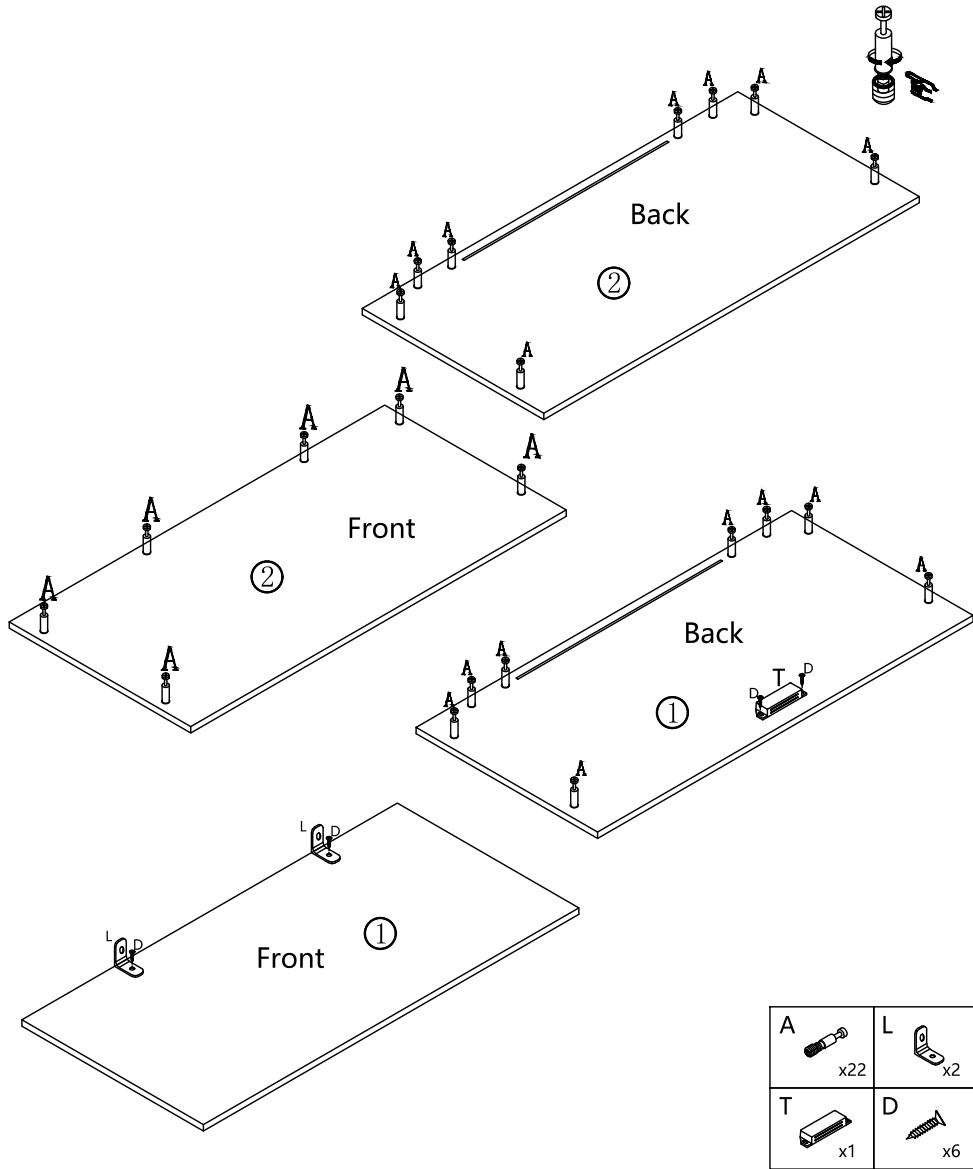


10



STEP 7

Put it into the reserved holes and tighten the screw



STEP 8

