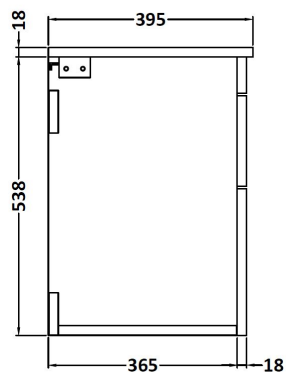
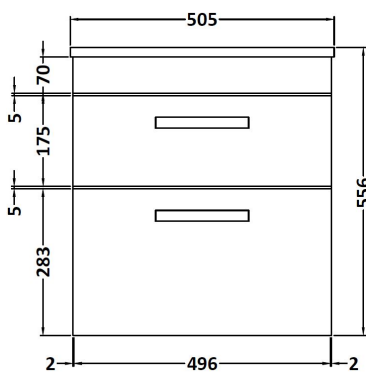


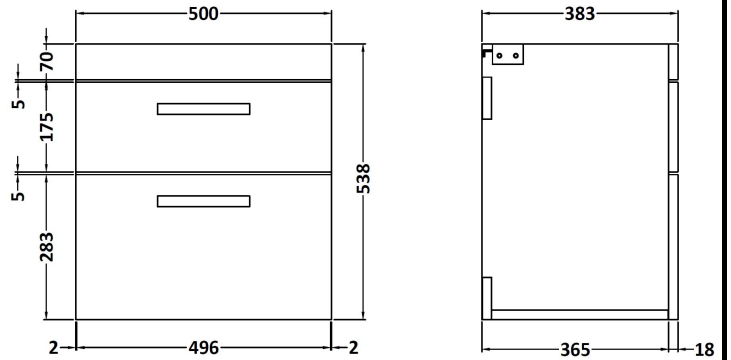
# CUSTOMER DATA SHEET

**DESCRIPTION:** 500 Wh 2-Drawer Vanity With Basin B



## CUSTOMER DATA SHEET - FURNITURE

**DESCRIPTION:** 500 Wall Hung 2-Drawer Basin Unit



### PRODUCT DIMENSIONS

Height (mm)	Width (mm)	Depth (mm)	Nett Wgt Kg
538	500	383	26

### PACKAGING DIMENSIONS

Height (mm)	Width (mm)	Depth (mm)	Gross Wgt Kg
405	520	560	26

### PACKAGING DATA

Box Colour	Brown Cardboard Box - Printed		
Box Qty		Label Colour	White Label
Label Size	x	Label Qty	2

### OUTER BOX DIMENSIONS (If Applicable)

Height (mm)	Width (mm)	Depth (mm)	Gross Wgt Kg

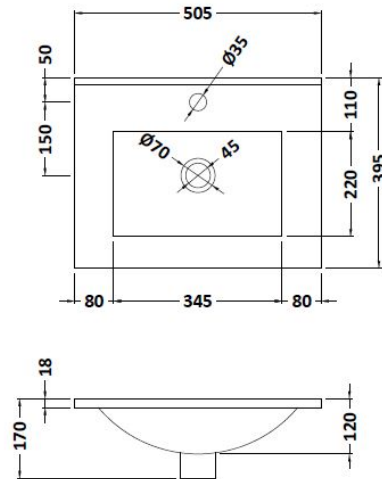
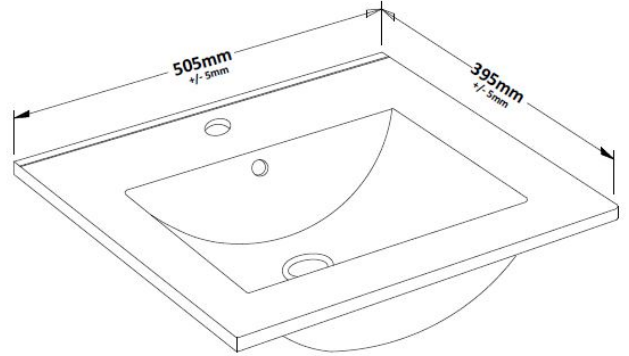
### PRODUCT DETAILS

Country of Origin	China			
Fitting Instruction	No			
Constr' Method	Cam & Wood Dowel			
Cabinet Finish	MFC Painted Gloss			
Cab Thickness (mm)	16			
Drawer Included	Yes			
No of Shelves	0			
Hinge Inc'	Not Applicable			
Fixings Inc'	Yes			
Handle Inc'	Yes, Supplied			
Handle Type	Strap			
Certification	FSC	Yes	CE	N/A
Colour	Gloss White			
Constr' Type	Rigid			
Fascia Finish	Mdf Painted Gloss			
Fas Thickness (mm)	18			
Drawer Type	80mm High Metal Softclose			
Hinge Type	Not Applicable			
Adjustable Legs	No, Not Required			
Handle Style	Contemporary			
Waste Shroud	Yes			

# CUSTOMER DATA SHEET - CERAMICS

**DESCRIPTION:**

500mm Minimalist Basin 1Th



**PRODUCT DIMENSIONS**

Height (mm)	Width (mm)	Depth (mm)	Nett Wgt Kg
170	500	390	9

**PACKAGING DIMENSIONS**

Height (mm)	Width (mm)	Depth (mm)	Gross Wgt Kg
400	520	200	9

**PACKAGING DATA**

Box Colour	Brown Cardboard Box		
Box Qty	1	Label Colour	White Label
Label Size	105 x 50	Label Qty	1

**OUTER BOX DIMENSIONS (If Applicable)**

Height (mm)	Width (mm)	Depth (mm)	Gross Wgt Kg

**PRODUCT DETAILS**

Country of Origin	China
Fitting Instruction	No

Certification	CE	WRAS	WRAS Number
Product Material	Vitreous China		

**PANS/BIDETS**

Trap Style	Not Applicable	Includes Seat	Not Applicable
------------	----------------	---------------	----------------

**CISTERNS**

Fittings	None Included	Operating Type	Not Applicable
Lever Type	Not Applicable		

**SEAT**

Type	Not Applicable	Function	Seat Not Include
Material	Not Applicable		
Hinge Type	Not Relevant	Hinge Material	Not Applicable

**BASINS**

Tap Hole	One Taphole	Chain Stay Hole	No
Template	Not Required	Waste Type Req'd	Slotted
Overflow Incl.	Yes	Overflow Cover	Yes
Inner Bowl Depth	220mm		

**GENERAL**

Fixing Supplied	No
-----------------	----