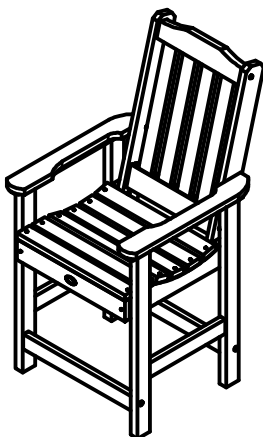


Counter Height Armchair

Assembly Guide



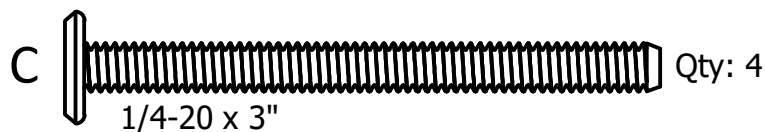
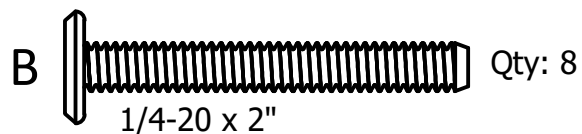
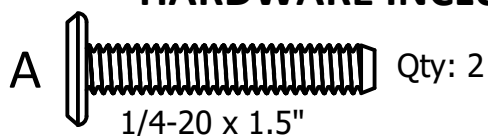
Scan for
Assembly
Video!



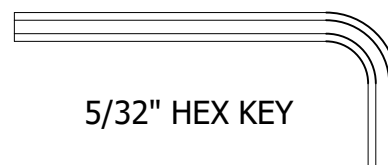
CHCL2
CHCLSQ02

*Actual Style May Vary from
the One Pictured in this Guide

HARDWARE INCLUDED

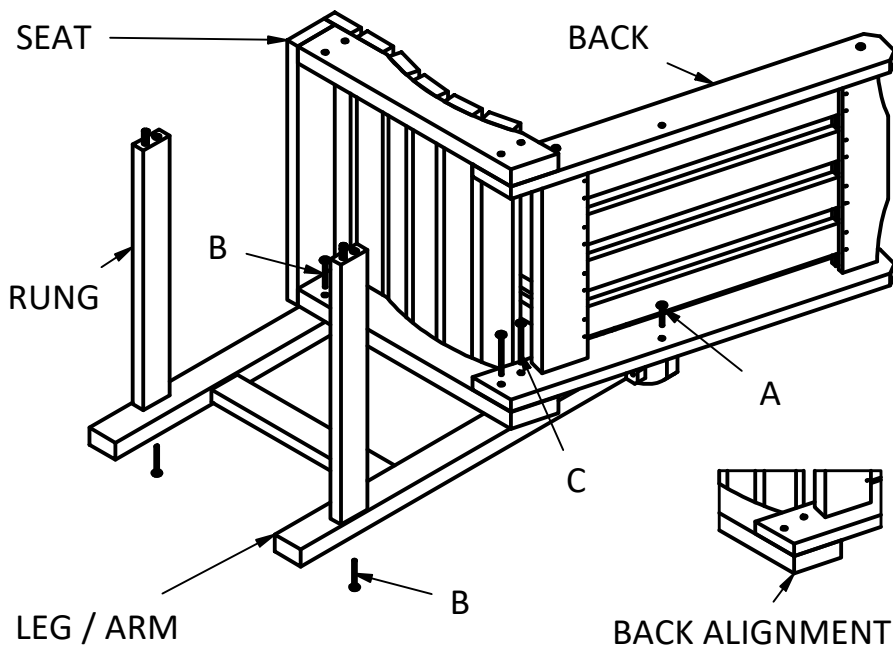


TOOLS INCLUDED



IMPORTANT!

DO NOT fully tighten bolts until all bolts are started.



- 1) Attach Seat to Leg/Arm using (2) B bolts and (2) C bolts. (Align Back as shown for C bolts)
- 2) Attach Back to Leg/Arm using (1) A bolt
- 3) Attach Rungs to Leg/Arm using (2) B bolts per Leg/Arm assembly.
- 4) Repeat on other Side.

For information on Care and Cleaning or to Register your product, please visit
www.highwood-usa.com.

HDK-0020

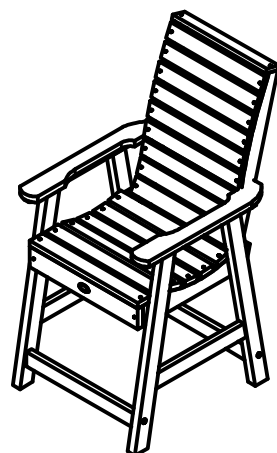
03/28/2023

Counter Height Armchair

Assembly Guide



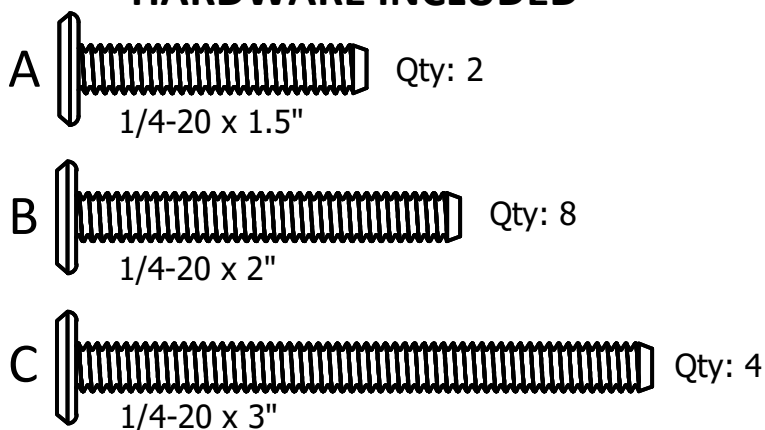
Scan for
Assembly
Video!



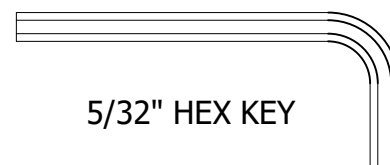
CHCW2
CHCWSQ02

*Actual Style May Vary from
the One Pictured in this Guide

HARDWARE INCLUDED

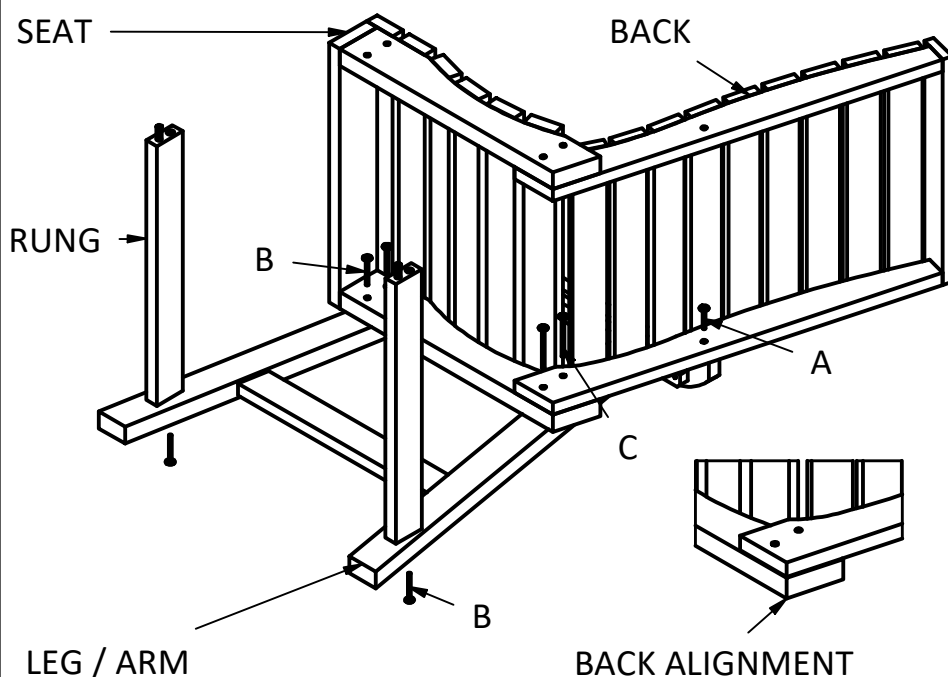


TOOLS INCLUDED



IMPORTANT!

DO NOT fully tighten bolts until all bolts are started.



- 1) Attach Seat to Leg/Arm using (2) B bolts and (2) C bolts. (Align Back as shown for C bolts)
- 2) Attach Back to Leg/Arm using (1) A bolt
- 3) Attach Rungs to Leg/Arm using (2) B bolts per Leg/Arm assembly.
- 4) Repeat on other Side.