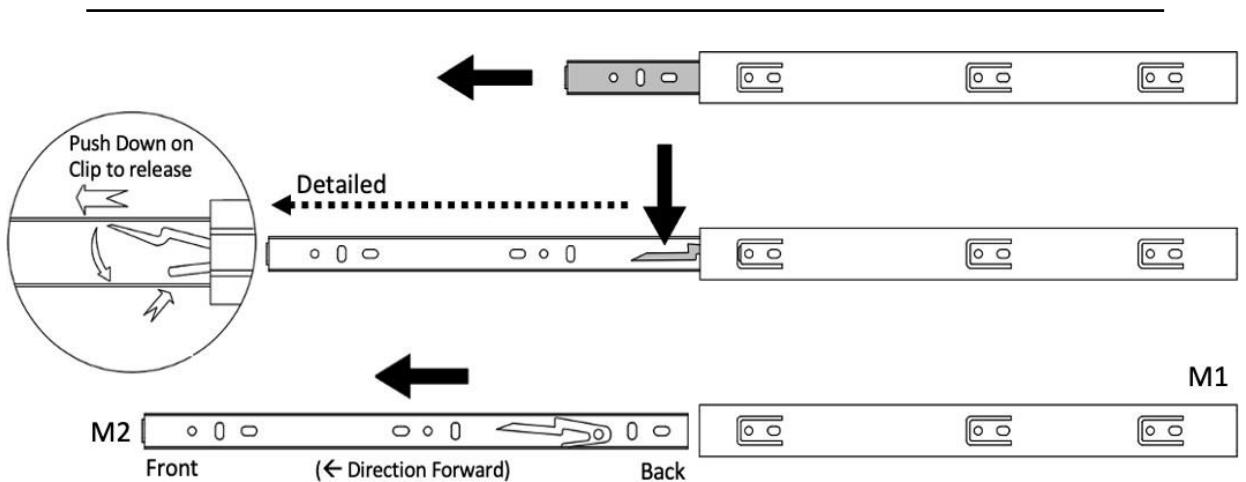


Section I – Separation of the Drawer Glide

The Telescopic Glide (Part M) comes **Pre-attached**; Each **Part M** must be separated into Two Parts (**Part M1 & M2**).

- Part M1 gets attached to the Side & Middle Panels of the Furniture
- Part M2 gets attached to each side of the Drawer.

View upon unboxing the Drawer Glides



Section II – (Part M2) – Drawer sides glide installation

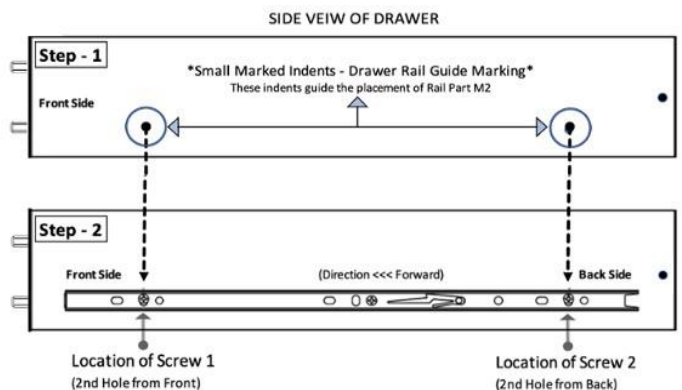
➤ The side of each Drawer comes with small-marked indents to properly Align Part M2

➤ Please see the diagram for the correct Orientation and Placement of Part M2 and the Screw location.

Step 1 – Locate the small-marked indents (Dimples) on the Drawer Side

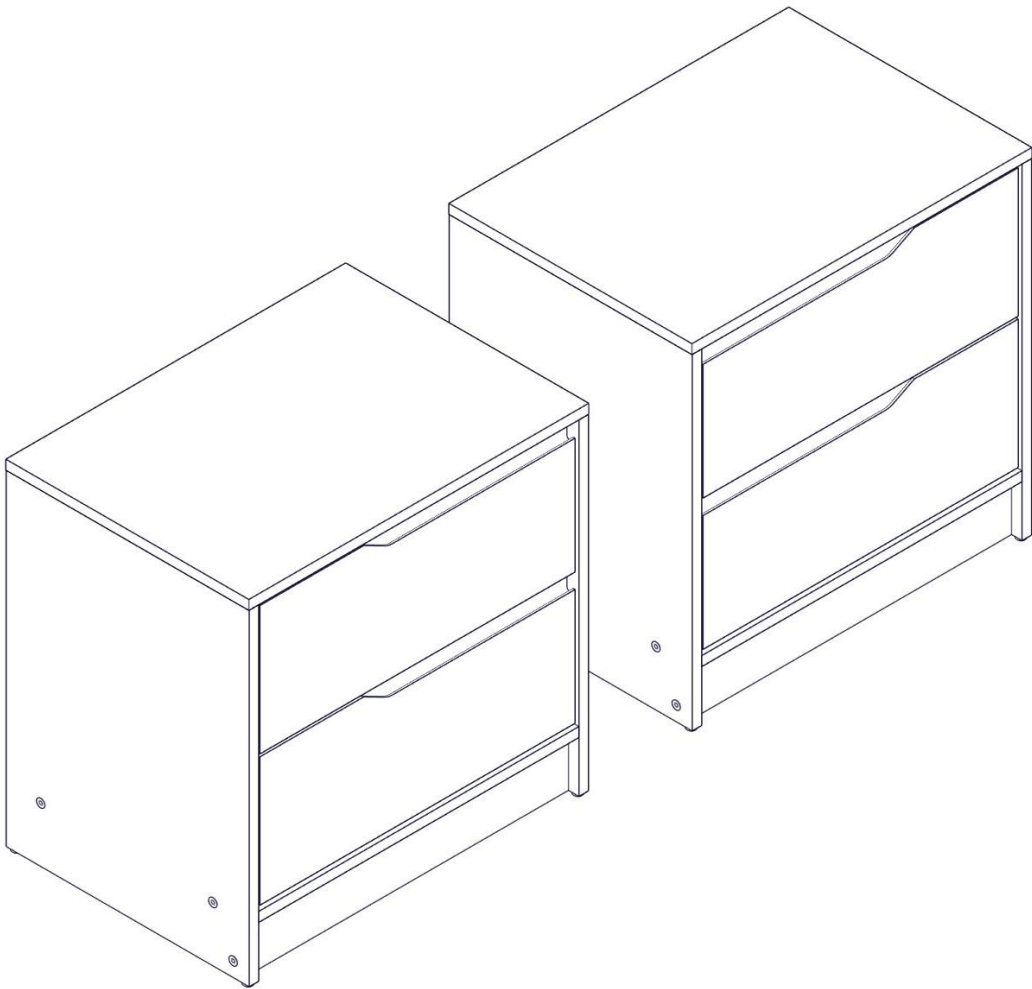
Step 2 – Attached the M2 Rail to the Side of the Drawer with screws located in Diagram →

**** Note** the forward direction of part M2



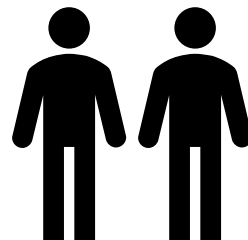
Assembly instructions

Warning -CHOKING HAZARD - Small Parts Not for children under 3 years. Adult assembly required.

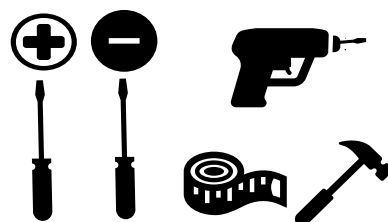


Images for illustrative purposes only.

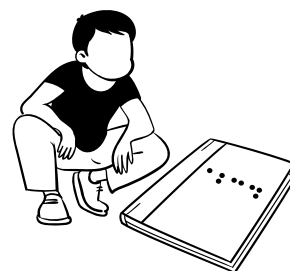
The assembly must be done by 2 people.

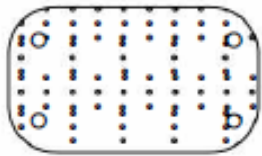


Tools needed to assemble the furniture.



Assemble the furniture on a clean, flat surface.



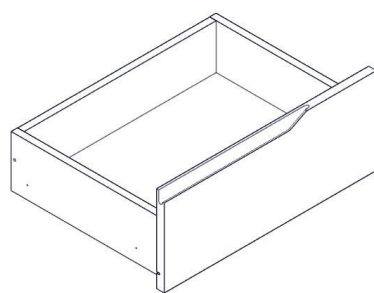
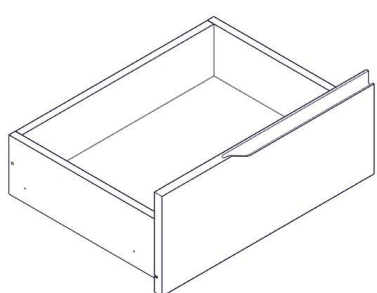
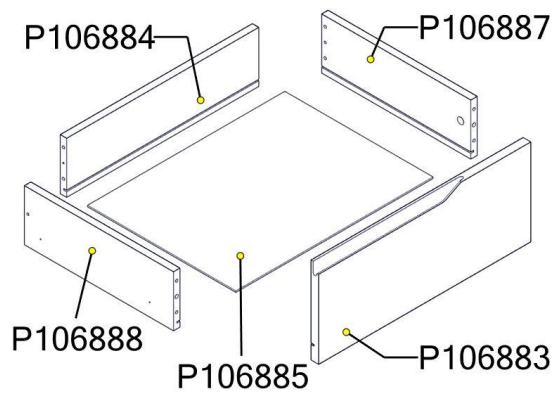
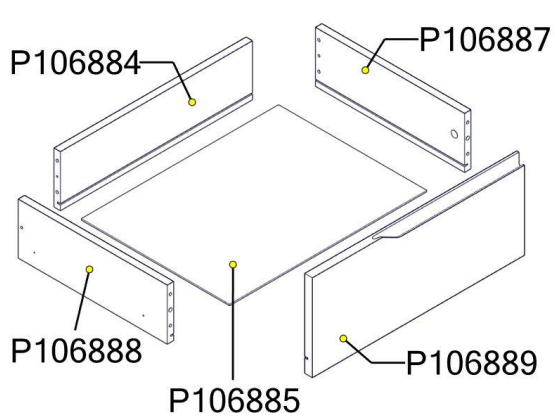
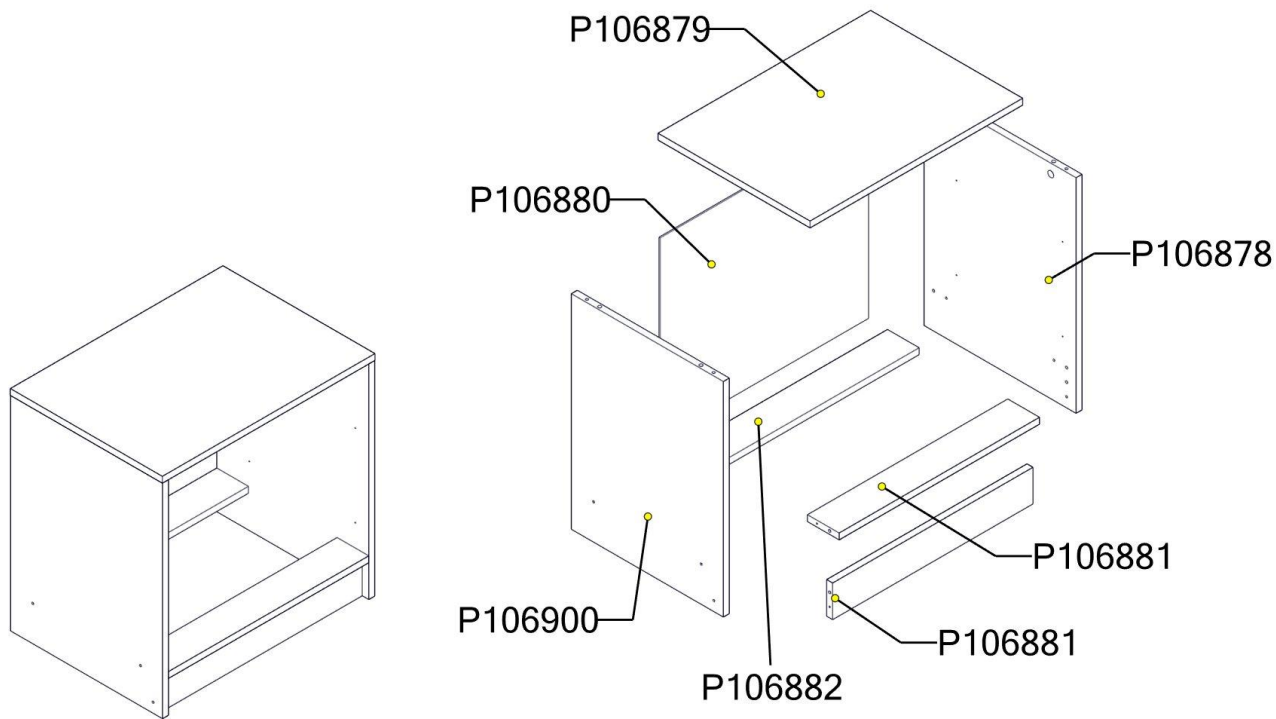


To Remove the printed number, apply a small amount of Glass Cleaner or Hand sanitizer and wipe with a paper towel.



PARTS IDENTIFICATION

QTD.	CÓDIGO / CODE	DESCRIÇÃO (Internal production data)	Description	C x L x E	L x W x T
2	P106878	LATERAL DIREITA	RIGHT SIDE	515 x 384 x 15 mm	20.28 x 15.12 x 0.59 in
2	P106879	TAMPO	TOP	537 x 384 x 15 mm	21.14 x 15.12 x 0.59 in
2	P106880	COSTA	COAST	439 x 526 x 3 mm	17.28 x 20.71 x 0.12 in
4	P106881	RODAPE	BASEBOARD	506 x 80 x 15 mm	19.92 x 3.15 x 0.59 in
2	P106882	TRAVESSA	PLATTER	506 x 80 x 15 mm	19.92 x 3.15 x 0.59 in
2	P106883	FRENTE DE GAVETA	DRAWER FRONT	498 x 203 x 18 mm	19.61 x 7.99 x 0.71 in
4	P106884	CABECEIRA DE GAVETA	DRAWER HEAD	451 x 120 x 15 mm	17.76 x 4.72 x 0.59 in
4	P106885	FUNDO DE GAVETA	DRAWER BOTTOM	463 x 348 x 3 mm	18.23 x 13.70 x 0.12 in
4	P106887	LATERAL DE GAVETA DIREITA	DRAWER RIGH SIDE	350 x 120 x 15 mm	13.78 x 4.72 x 0.59 in
4	P106888	LATERAL DE GAVETA ESQUERDA	LEFT DRAWER SIDE	350 x 120 x 15 mm	13.78 x 4.72 x 0.59 in
2	P106889	FRENTE DE GAVETA	DRAWER FRONT	498 x 203 x 18 mm	19.61 x 7.99 x 0.71 in
2	P106900	LATERAL ESQUERDA	LEFT SIDE	515 x 384 x 15 mm	20.28 x 15.12 x 0.59 in



IDENTIFICATION OF ACCESSORIES

NOTE: Separating the accessories before starting assembly will make it easier. In case of doubt in the identification, place the accessory on the ruler.

	QTD.	CÓDIGO / CODE	DESCRIÇÃO (Internal production data)	Description
	2	000041	COLA BRANCA EM BISNAGA (10GR)	GLUE
	44	000107	PREGO 10 X 10	NAIL 10 X 10
	9	000108	PREGO 12 X 12 ARDOX	NAIL 12 X 12
	4	001178	P.FLANGE 3,5 X 16 CAB. PHILLIPS BC	SCREW 3,5 X 16
	52	001802	CAVILHAS DE MADEIRA 6X30 PINUS	DOWEL 6X30MM
	9	001901	SAPATA DESLIZADORA PRETA 15 X 6	SHOE 15 X 6
	48	004214	P.CHATO 3,5 X 14 CAB. PHILLIPS REBAIXADA ZB	SCREW 3,5 X 14MM
	9	005256	P.CHATO 4,0 X 20 CAB. PHILLIPS ZB/BC	FLAT SCREW 4,0 X 20 BC
	9	018458	SUPORTE TRIANGULAR PRETO	TRIANGLE SUPPORT
	17	030945	PARAFUSO DE ACO P/ MINIFIX	STEEL SCREW FOR MINIFIX
	17	030950	TAMBOR P/ MINIFIX 15MM ZAMAQ	BARREL 15MM

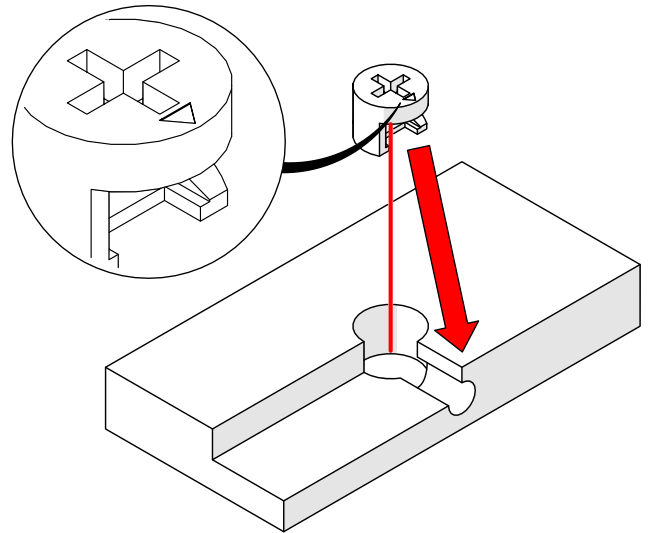
IDENTIFICATION OF ACCESSORIES

NOTE: Separating the accessories before starting assembly will make it easier. In case of doubt in the identification, place the accessory on the ruler.

	4	032069	BUCHA PARA GESSO FLY	FIXING BUSHING FOR PLASTER
	4	051980	P.CHATO 4,5 X 50 BC	P.CHATO 4,5 X 50 BC
	4	055606	SUP. P/ FIXACAO DE PAREDE (EUA)	FIXATION SUPPORT
	2	055607	ABRACADEIRA NYLON 300 MM	NYLON CLAMP 300 MM
	1	058788	CHAVE ALLEN Z 3X40MM BC 04618 ZB/BC	ALLEN WRENCH
	20	075515	P.ESTRUTURAL 5 X 40 CAB. 13 ALLEN 3 C/PONTA ZB/BC	SCREW 5 X 40
	4	CRTM350X30	CORREDICA TELESCOPICO MINI LIGHT (H32/30) 350MM	SLIDING DRAWER SYSTEM
	12	13MM	TAPA FURO 13MM	SCREW CAP COVER 13MM
	16	19MM	TAPA FURO 19MM	SCREW CAP COVER 19MM

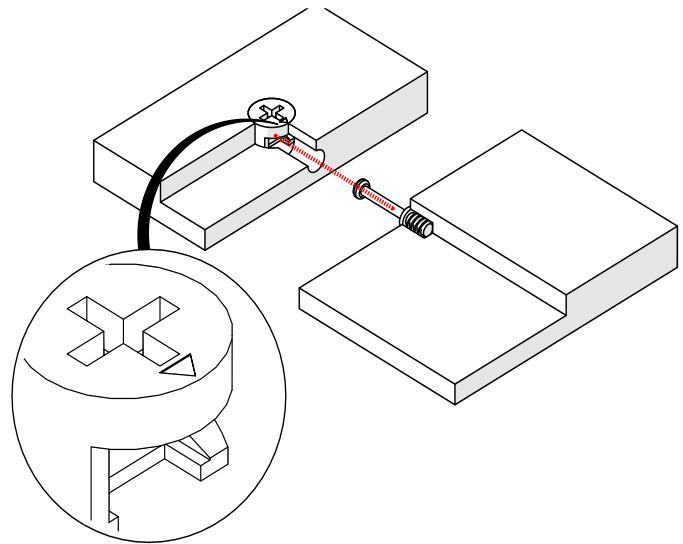
INSTALLING CAM

Identify arrow on head of cam. Arrow MUST point toward hole in edge of panel. Push cam all the way down into hole.



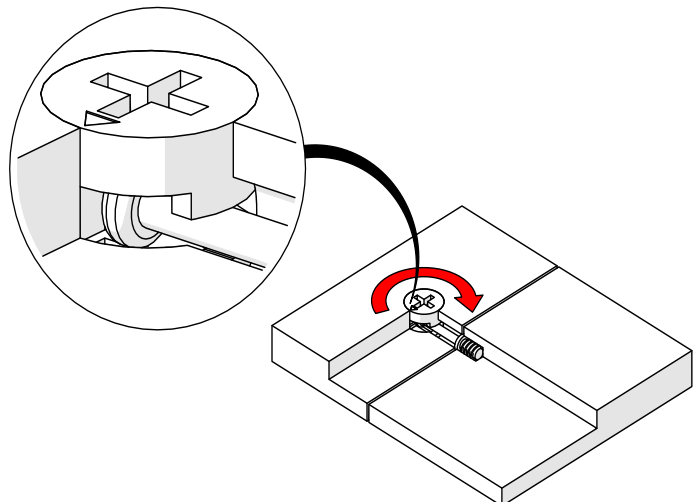
CAM AND DOWEL ALIGNMENT

Ensure the arrow on the cam points toward hole and insert cam dowel into hole. Make sure pieces join together.



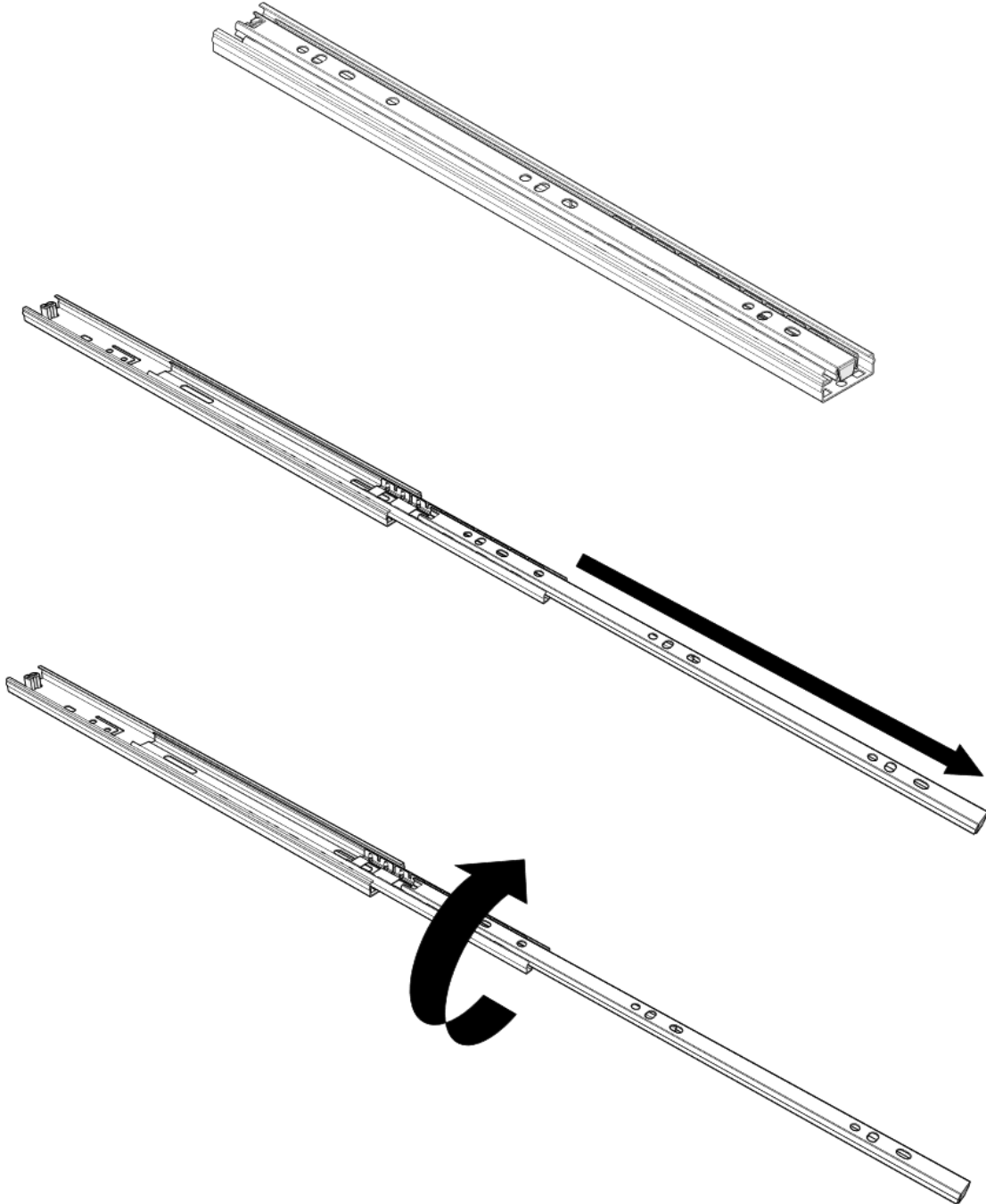
TIGHTENING CAM

Use screwdriver to turn cam. Turn cam (clockwise) until fully tightened. Slightly more than half a turn.



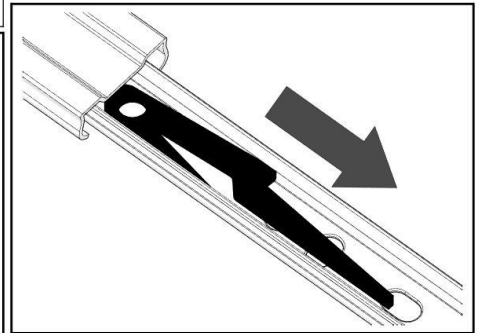
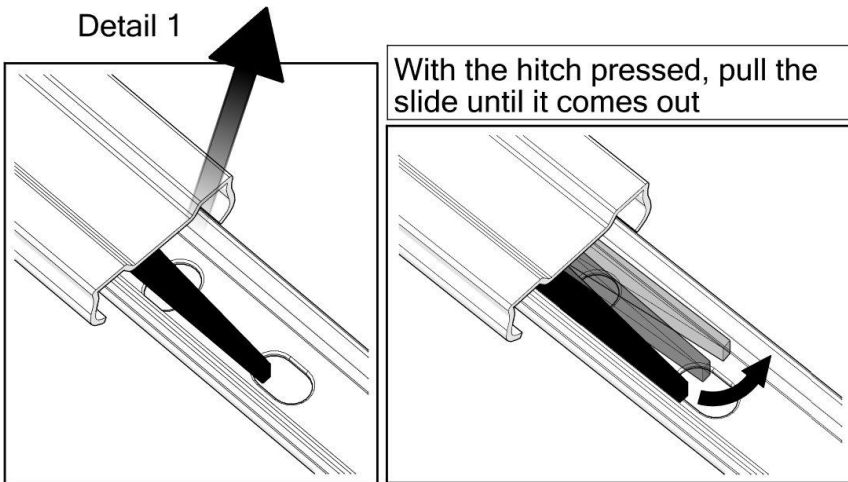
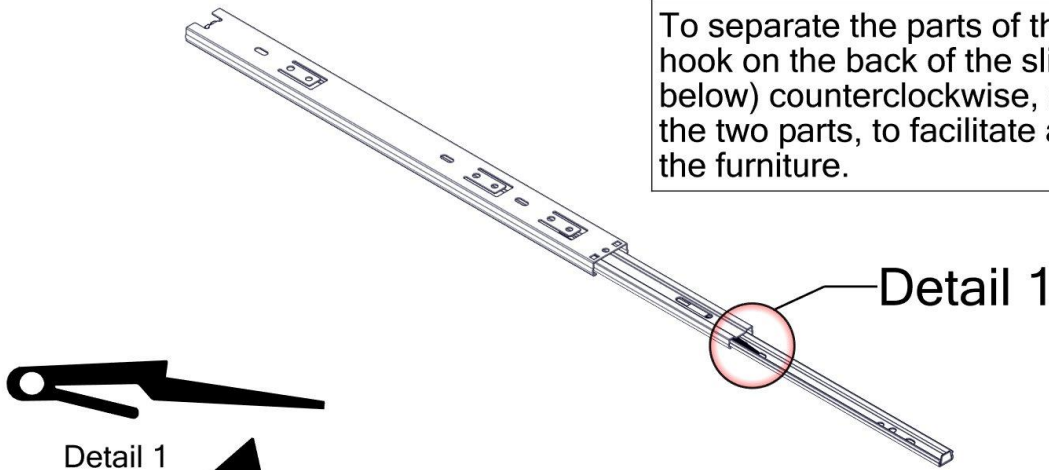
View upon unboxing the drawer glides

#1 NOTICE – Please view this video (VIA QR CODE) prior to installing the Telescopic rail, as this will allow you to be better informed on the process. Ensuring proper installation.



#2 NOTICE - Please note this process might leave a small amount of harmless oil on your fingers, please ensure you have a paper towel or rag to wipe off if needed to not damage clothes.

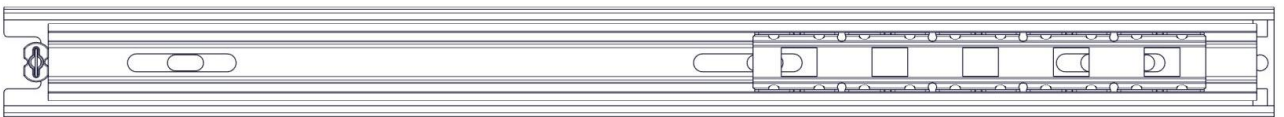
To separate the parts of the slide, pull the hook on the back of the slide (illustration below) counterclockwise, separating the two parts, to facilitate attachment to the furniture.



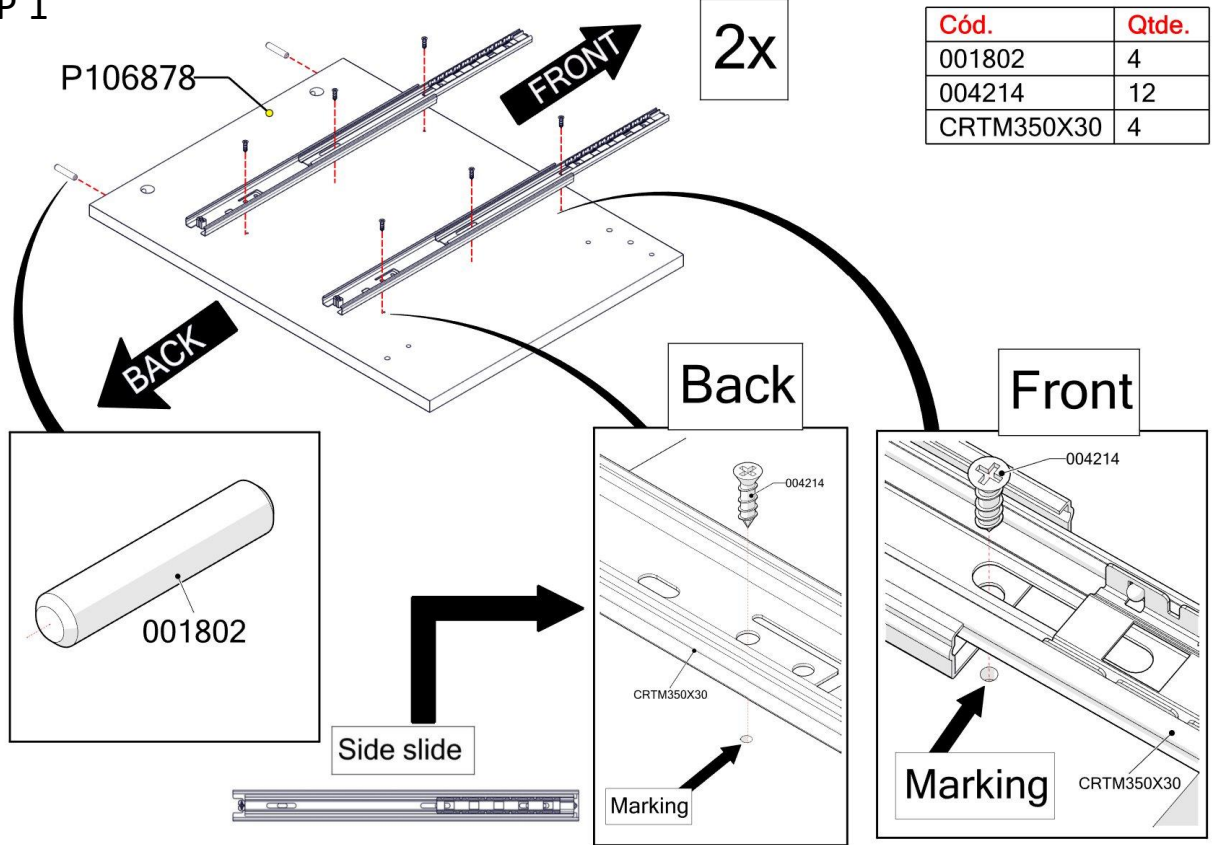
Drawer slide



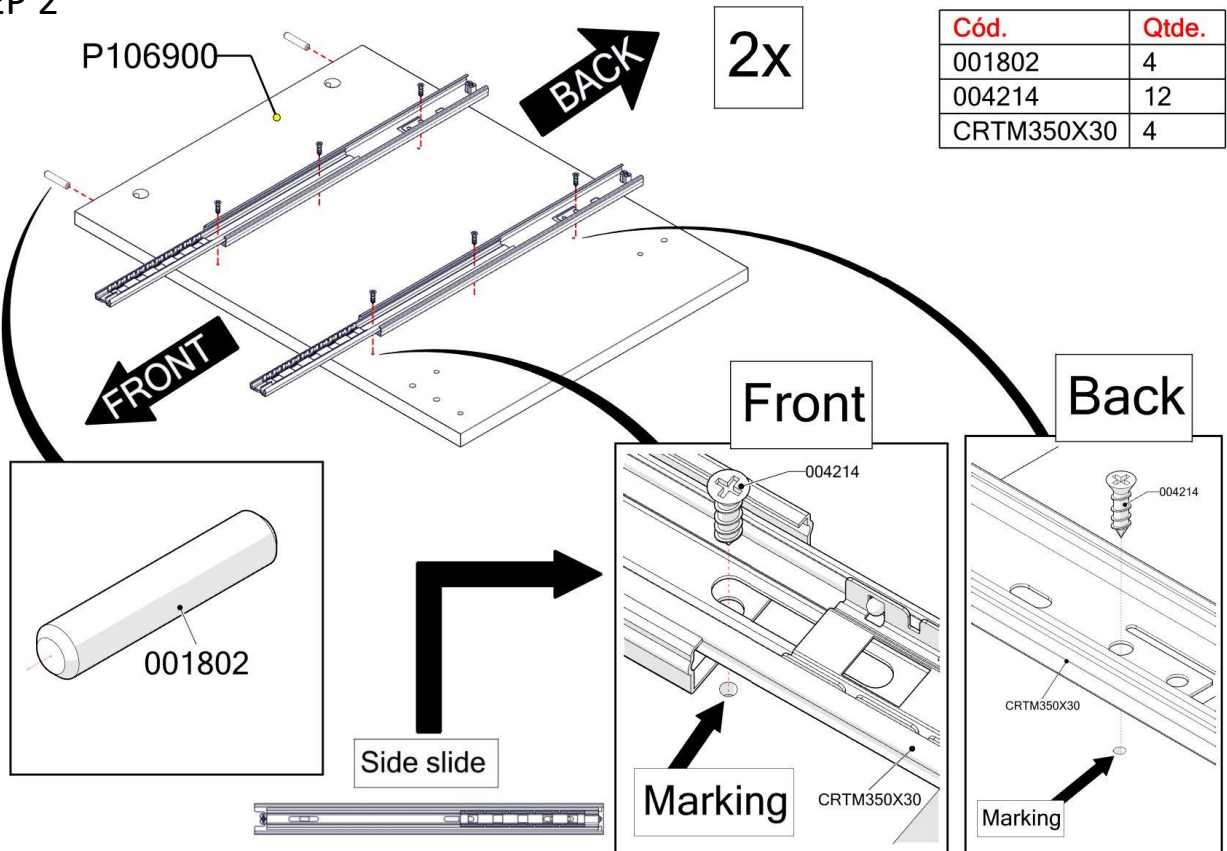
Side slide



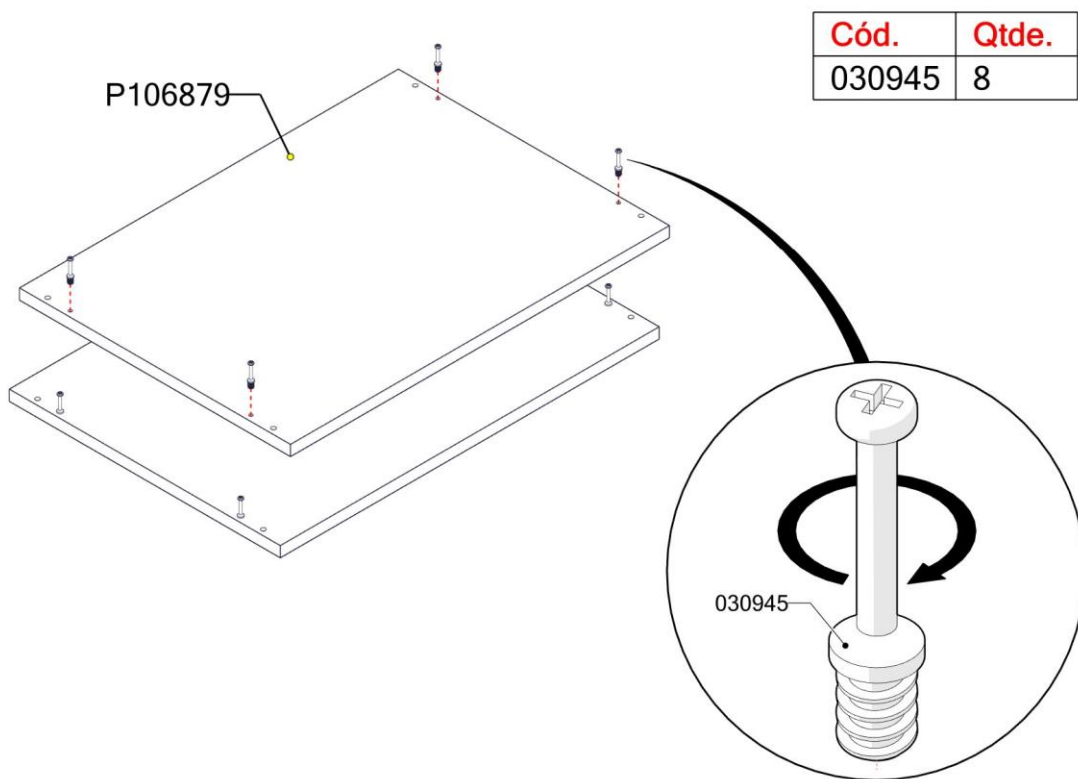
STEP 1



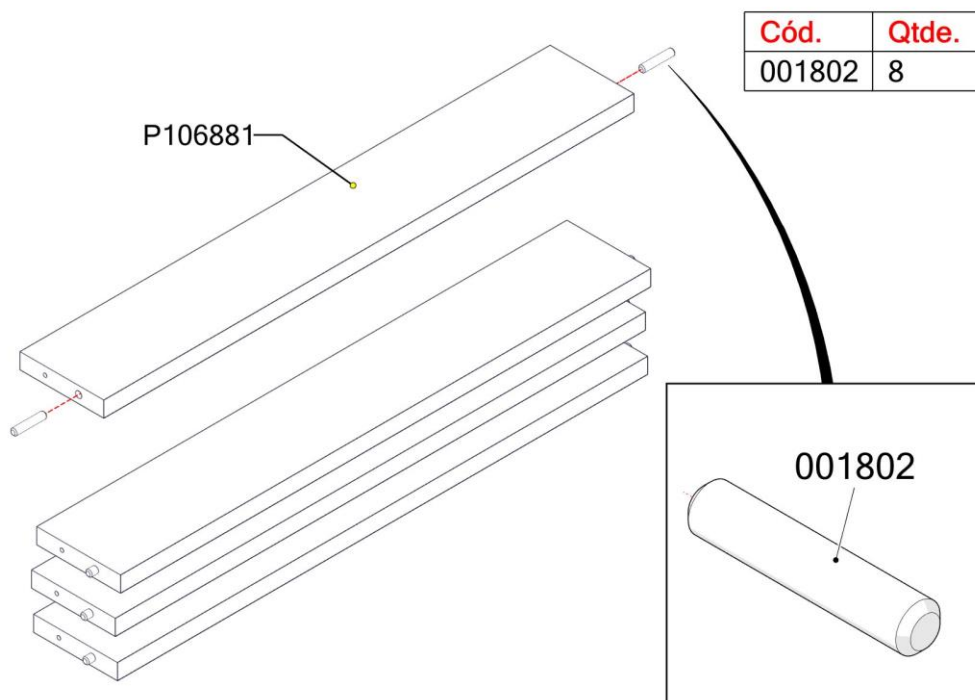
STEP 2



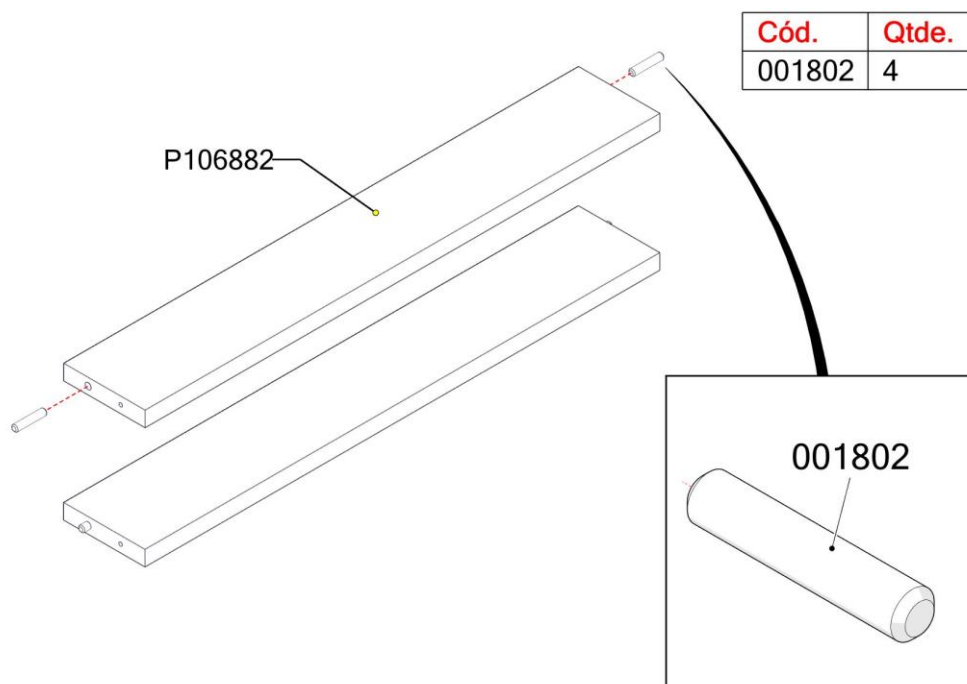
STEP 3



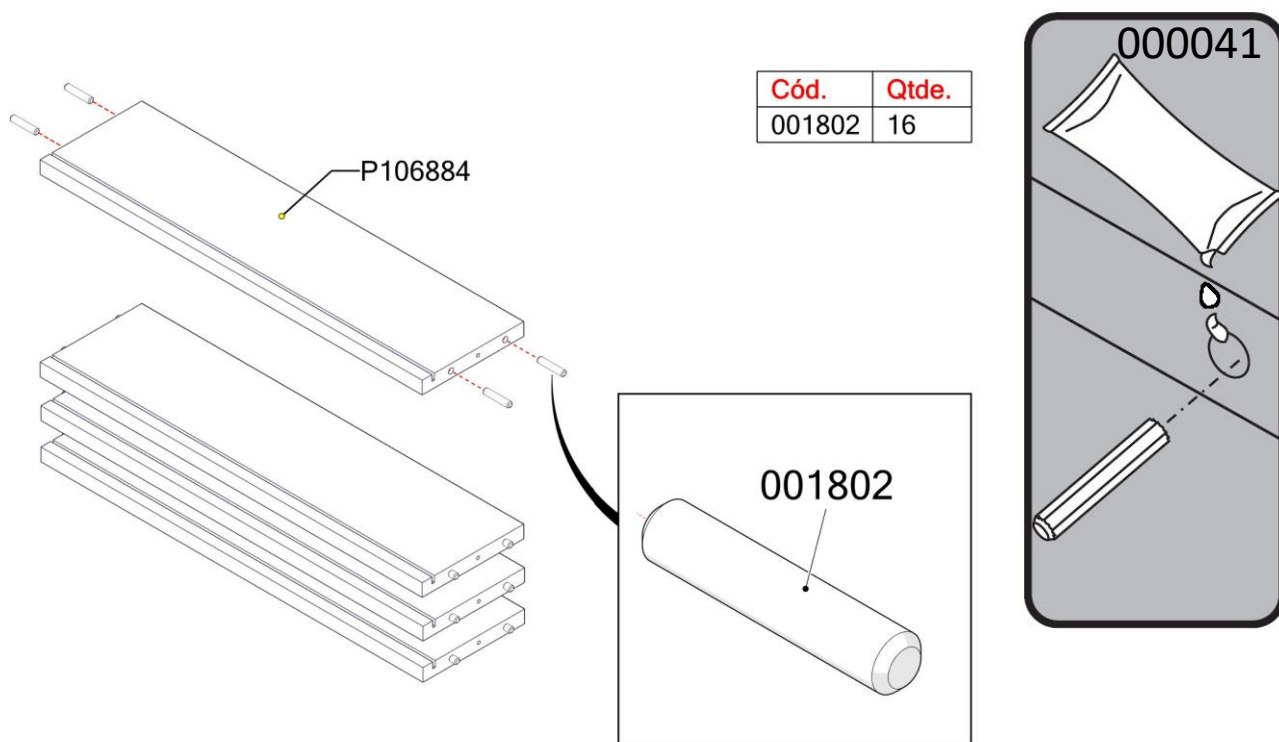
STEP 4



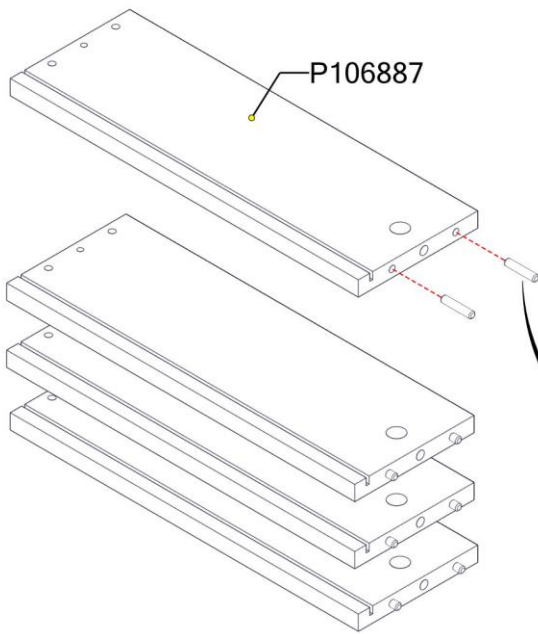
STEP 5



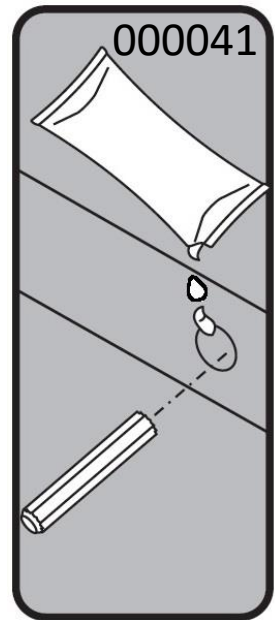
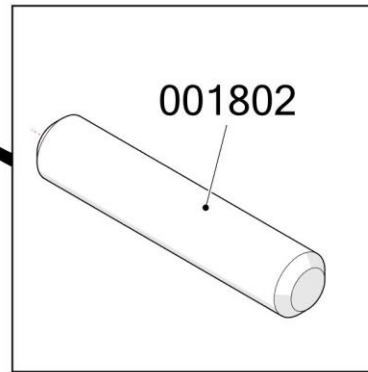
STEP 6



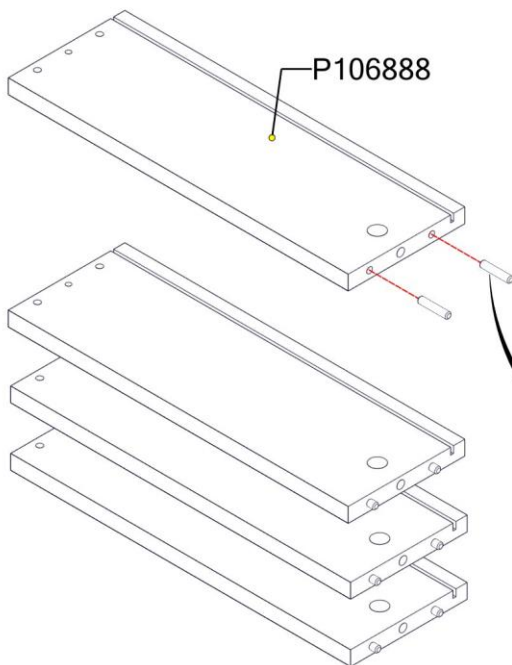
STEP 7



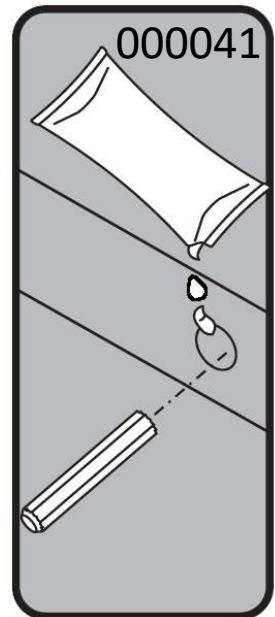
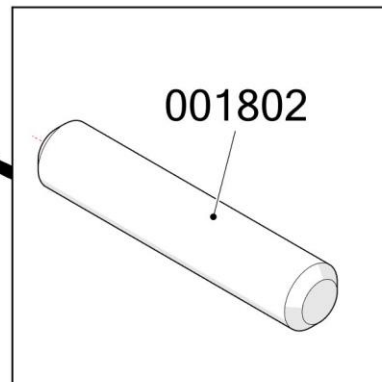
Cód.	Qtde.
001802	8



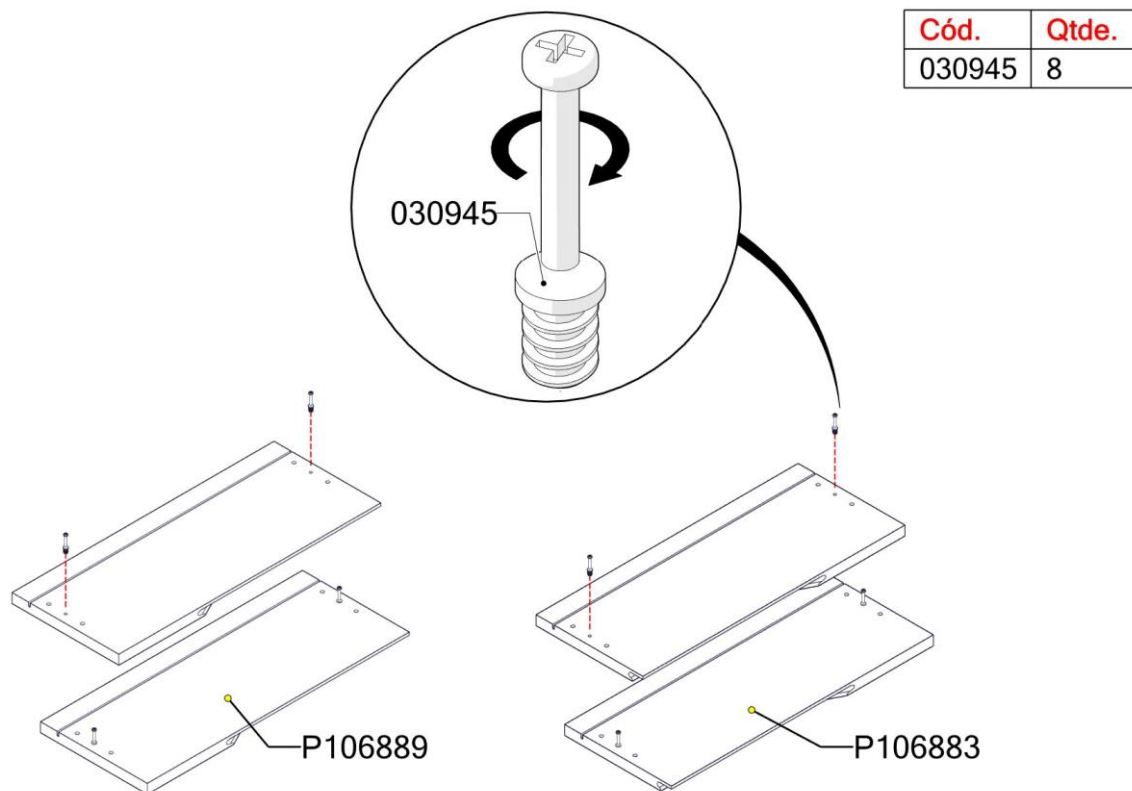
STEP 8



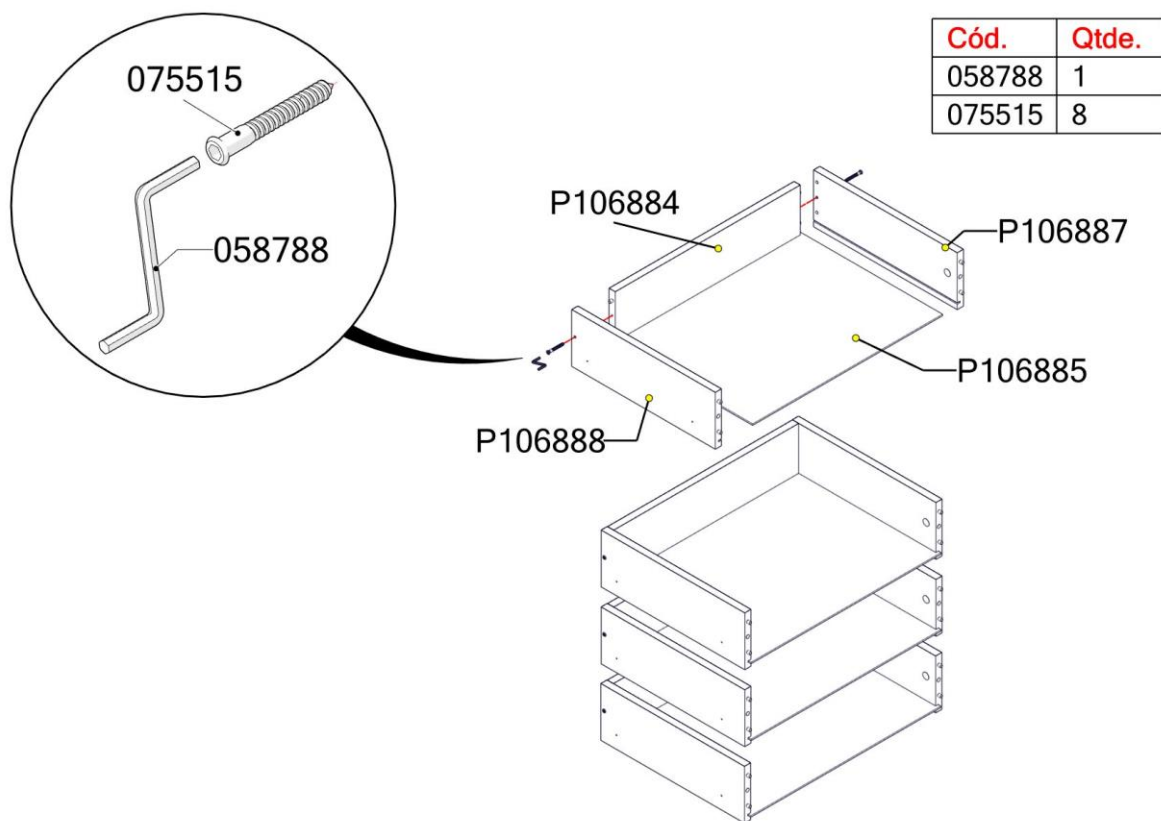
Cód.	Qtde.
001802	8



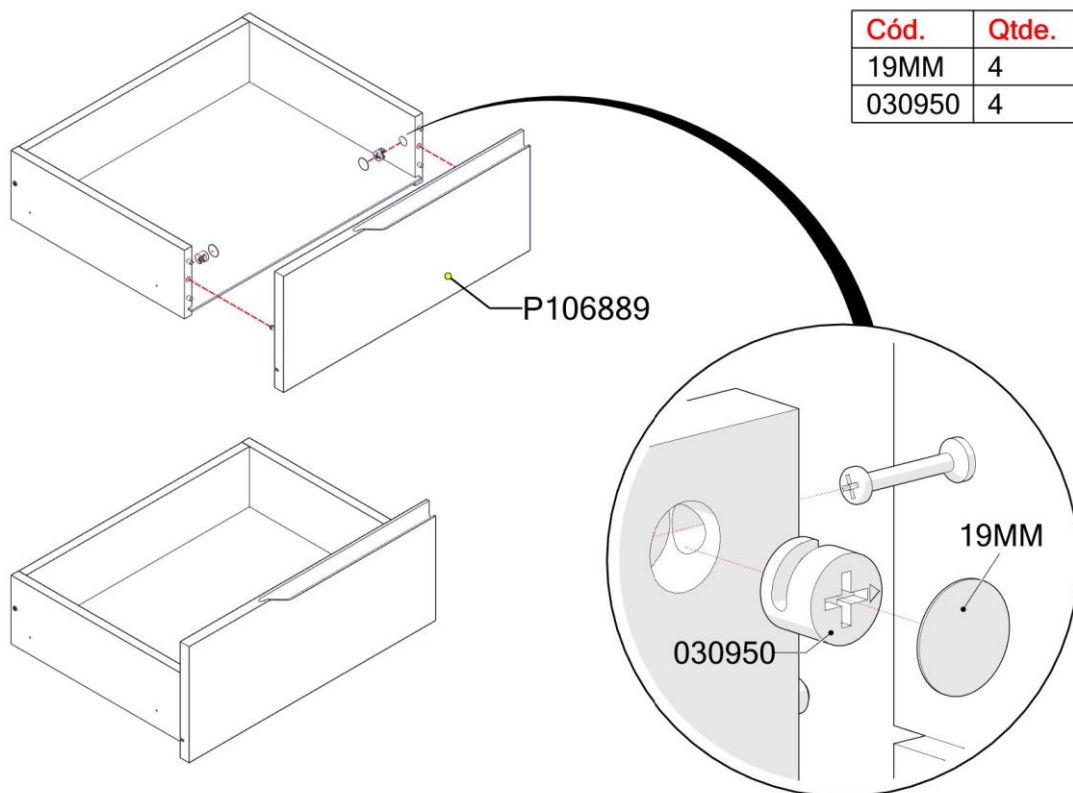
STEP 9



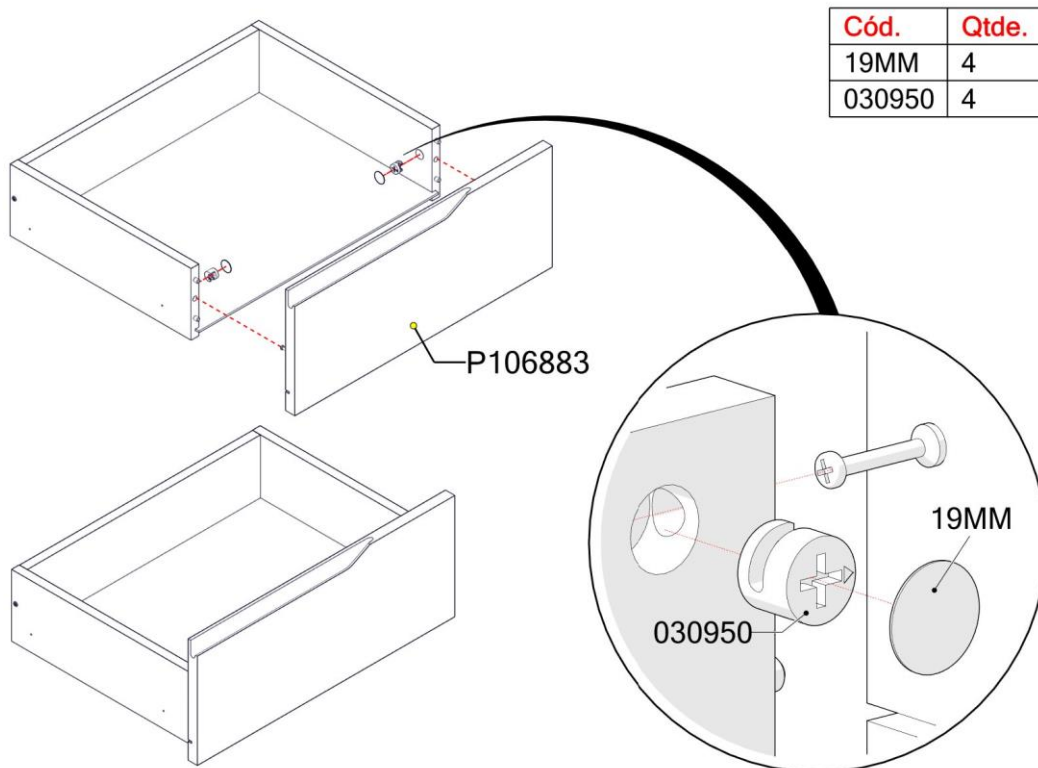
STEP 10



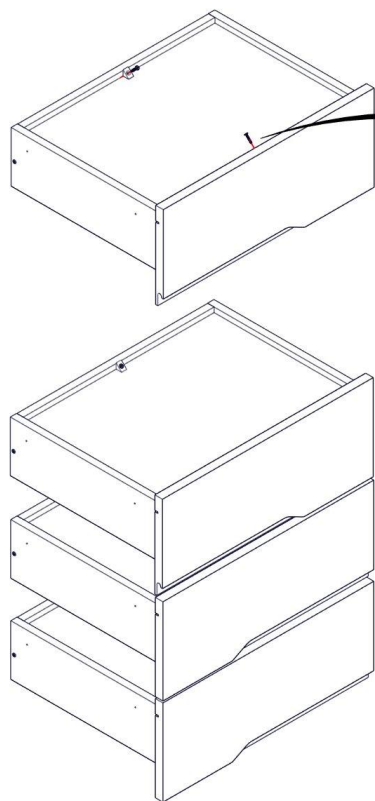
STEP 11



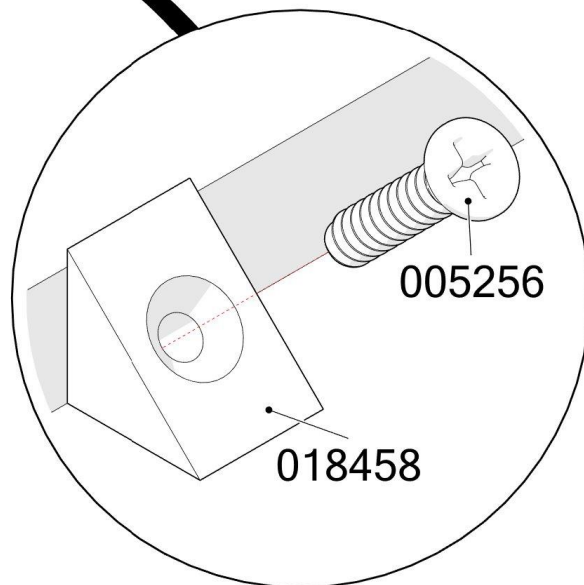
STEP 12



STEP 13

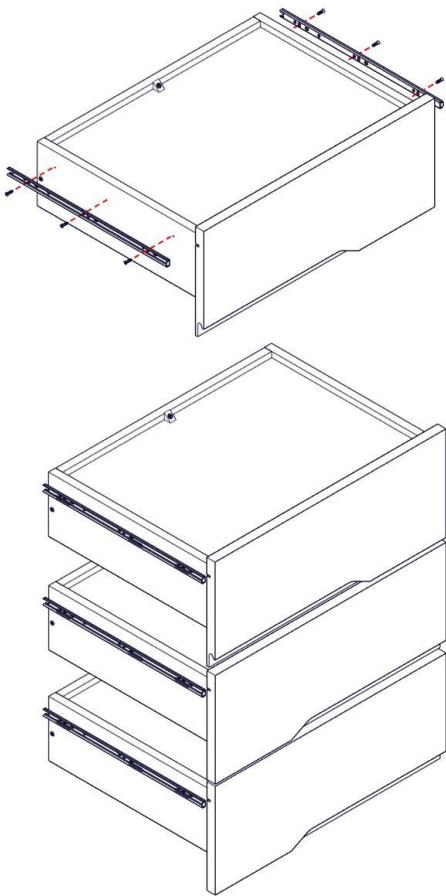
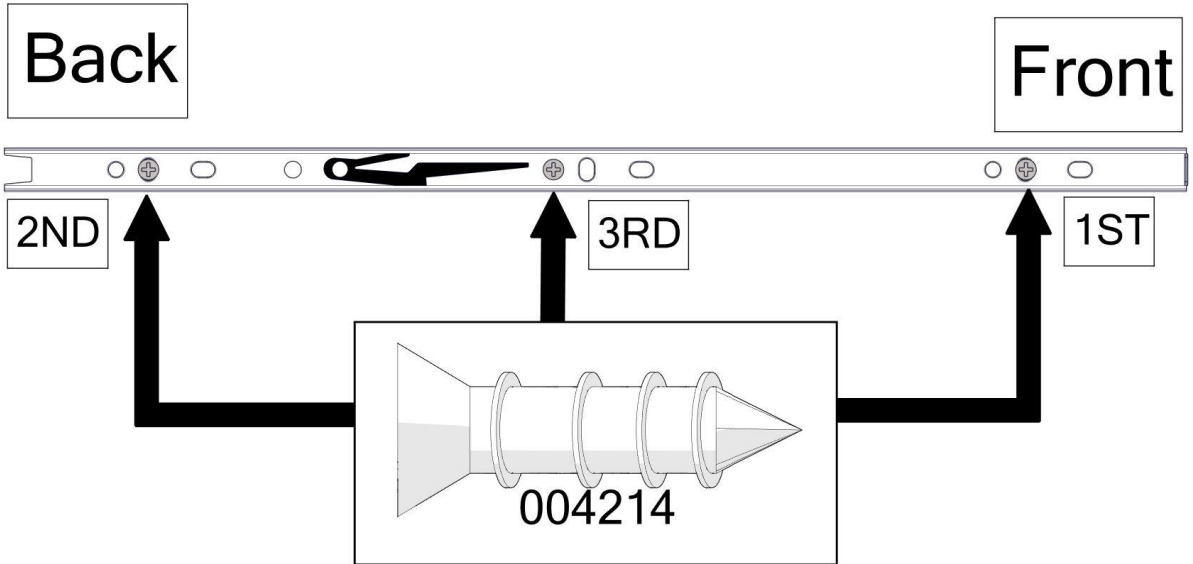


Cód.	Qtde.
005256	8
018458	8

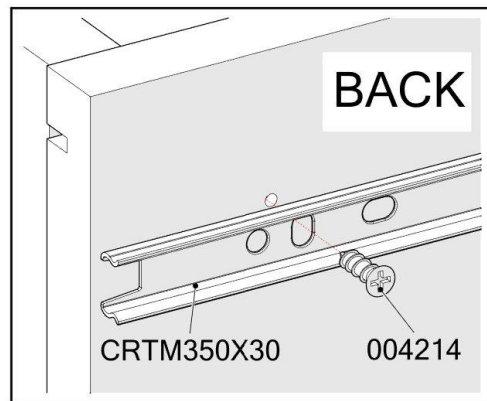
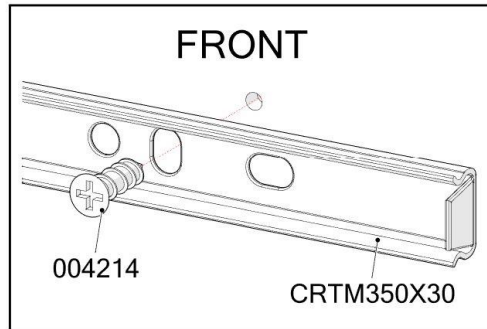


STEP 14

Drawer slide

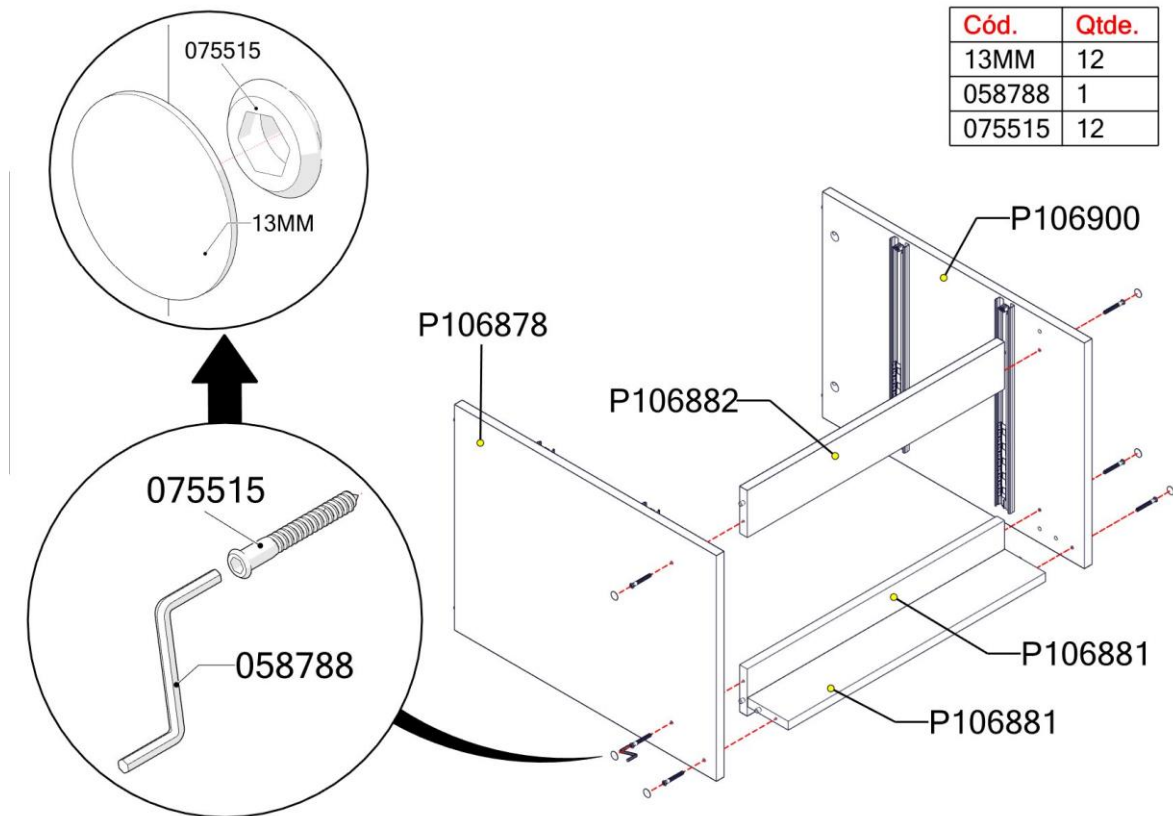


Cód.	Qtde.
004214	24
CRTM350X30	8



STEP 15

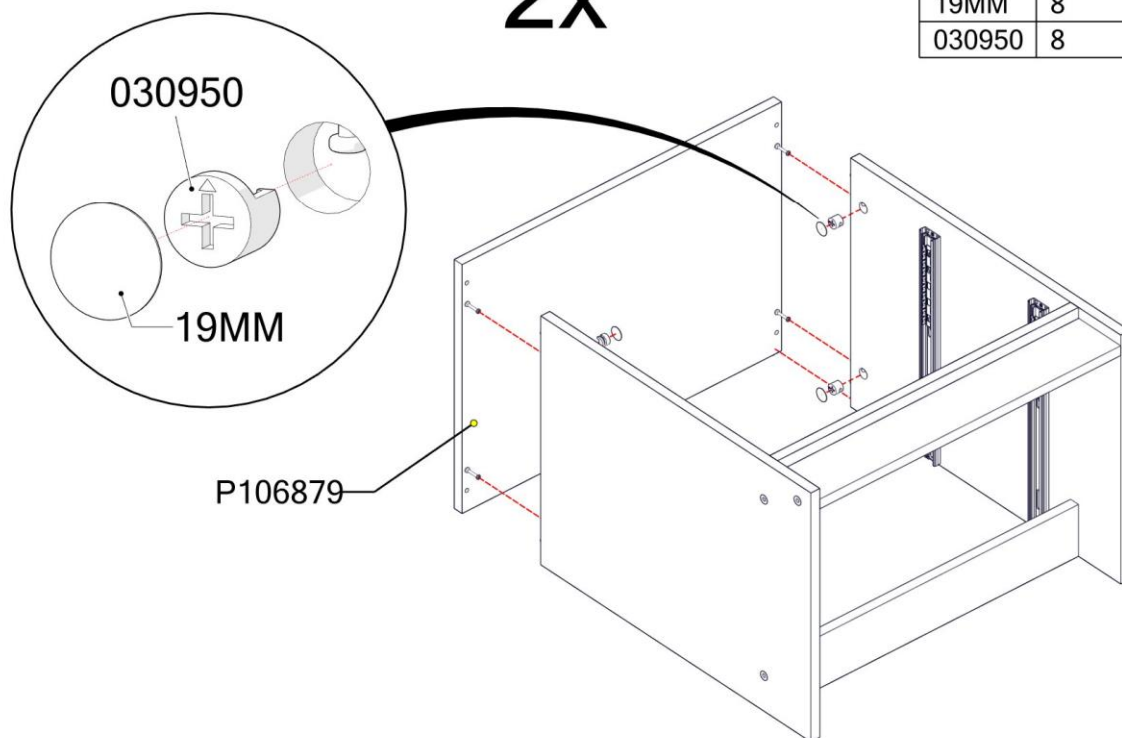
Cód.	Qtde.
13MM	12
058788	1
075515	12



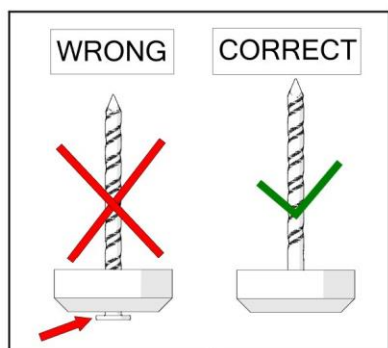
STEP 16

2x

Cód.	Qtde.
19MM	8
030950	8

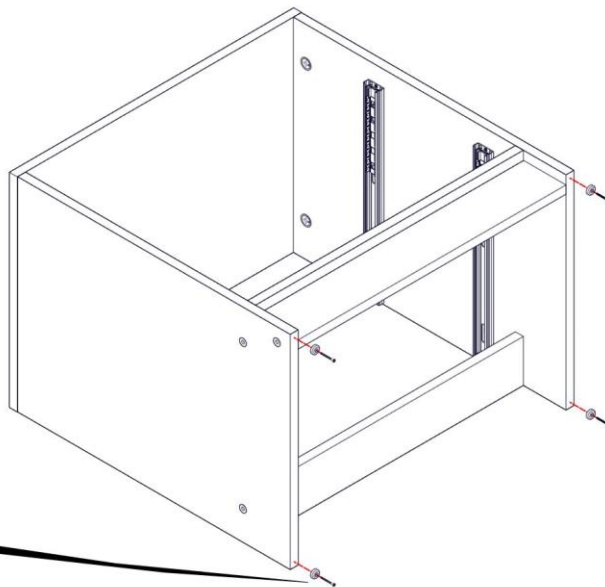
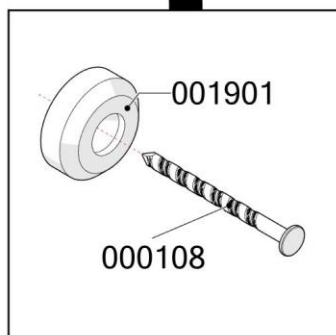


STEP 17

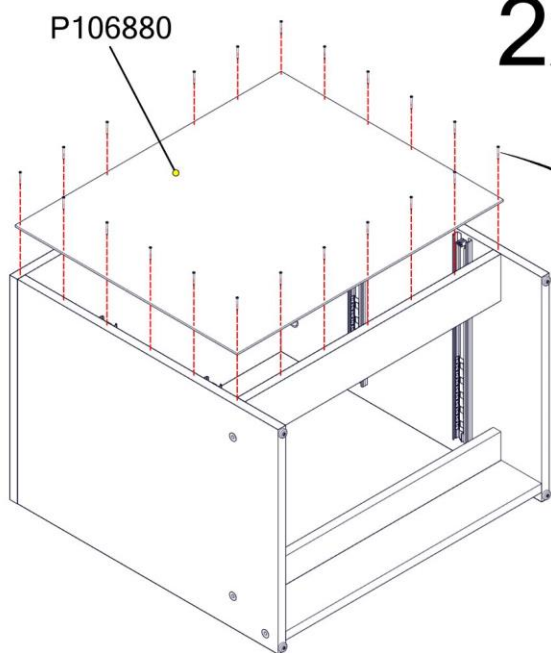


2x

Cód.	Qtde.
000108	8
001901	8

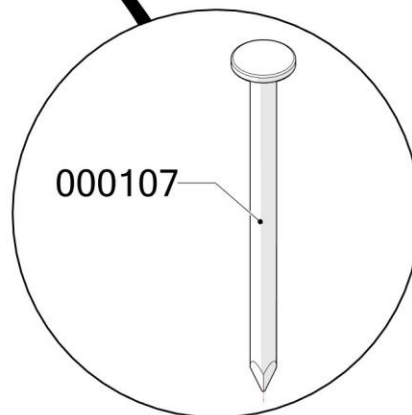


STEP 18



2x

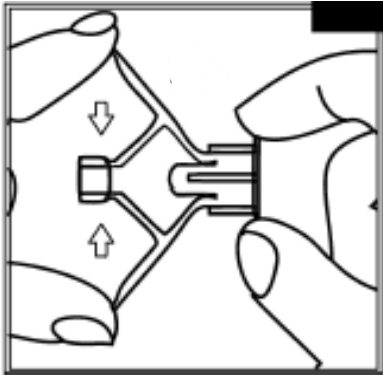
Cód.	Qtde.
000107	44



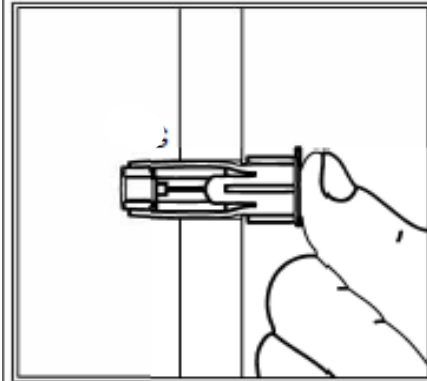
STEP 19

NOTE: Do not turn the DRYWALL ANCHOR into a 10 fasten the SAFETY ANTI-TIPPING

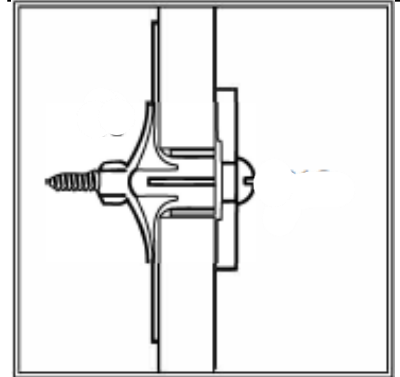
Compress the wings of anchor before inserting.



Insert the chuck into the hole of the base material.

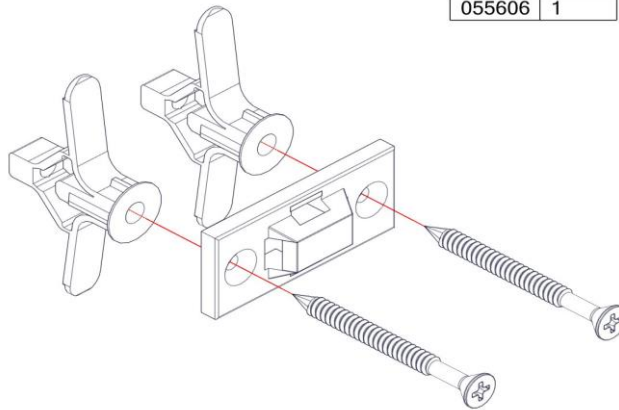


Position the object over the bushing and secure it with a screw.



WALL

Cód.	Qtde.
032069	2
051980	2
055606	1



Important

The minimum length of the screw must be the bushing length + object thickness that will be fixed.

To guarantee the wing expansion function of the bushing, after the screw head is at the object to be fixed, one must continue to rotate the screw until maximum torque is reached.

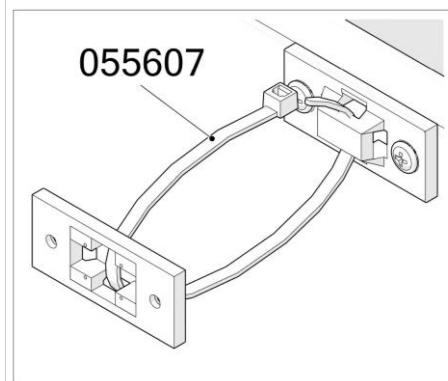
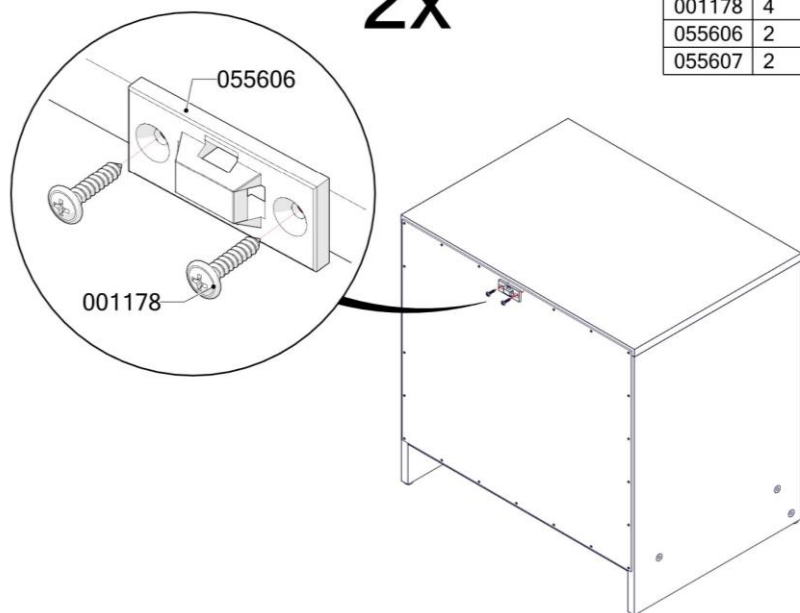
Pierce the base material a 0.39 in. drill.



STEP 20

2x

Cód.	Qtde.
001178	4
055606	2
055607	2



A WARNING – Anti-Tip Advisory

Potential of serious fatal crushing injuries may occur from furniture tip-over. To help prevent tip-over:

ALWAYS INSTALL the tip-over restrain that came with your furniture. This tip-over restrains only reduces but does NOT completely eliminate the risk of tip-over

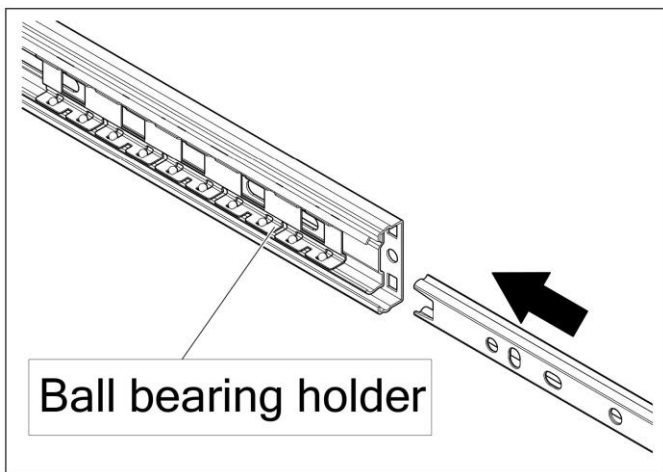
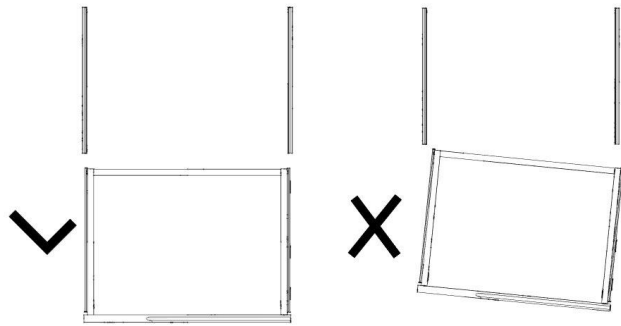
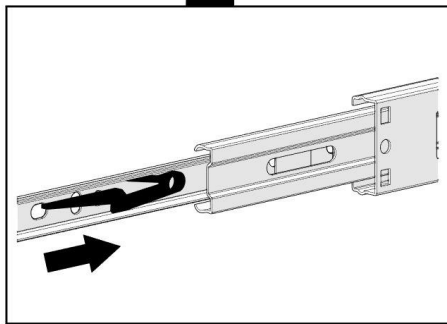
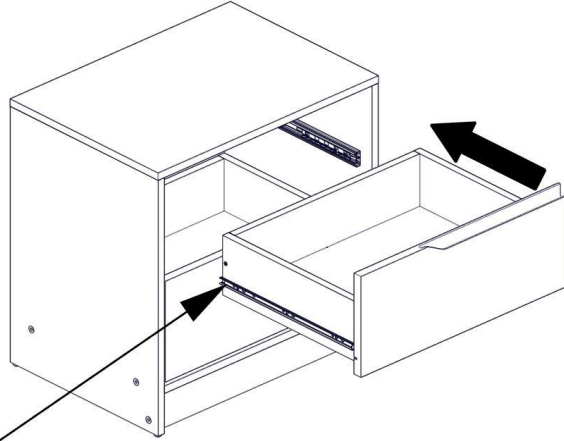
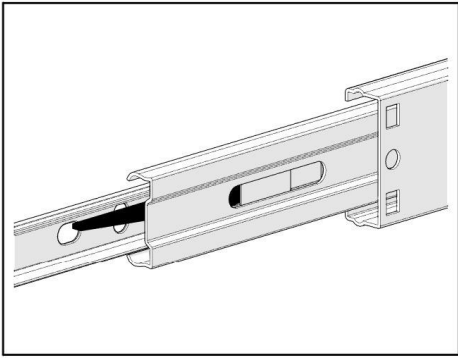
- ALWAYS Place the heaviest items in the lowest/bottom drawer.
- NEVER place heavy objects on top of this product.
- NEVER allow children to scale/climb/hang on the drawers, doors, or shelves.
- NEVER open more than one drawer at a time.

B ADVERTENCIA - Aviso antivuelco

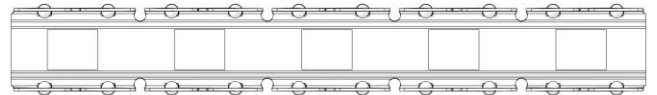
Pueden producirse lesiones graves por aplastamiento mortales debido al vuelco de los muebles. Para ayudar a prevenir vuelcos:

- SIEMPRE INSTALE el sistema de retención que viene con sus muebles. Este sistema antivuelco solo reduce pero NO elimina por completo el riesgo de vuelco.
- SIEMPRE coloque los artículos más pesados en el cajón más bajo /inferior.
- NUNCA coloque objetos pesados encima de este producto.
- NUNCA permita que los niños escalen, trepen o se cuelguen de los cajones, puertas o estantes.
- NUNCA abra más de un cajón a la vez

STEP 21



Piece illustration



For the telescopic slide to work properly, it is extremely important that the ball bearing holder is pulled forward in the section it is found. This way the drawer will properly slide into place.