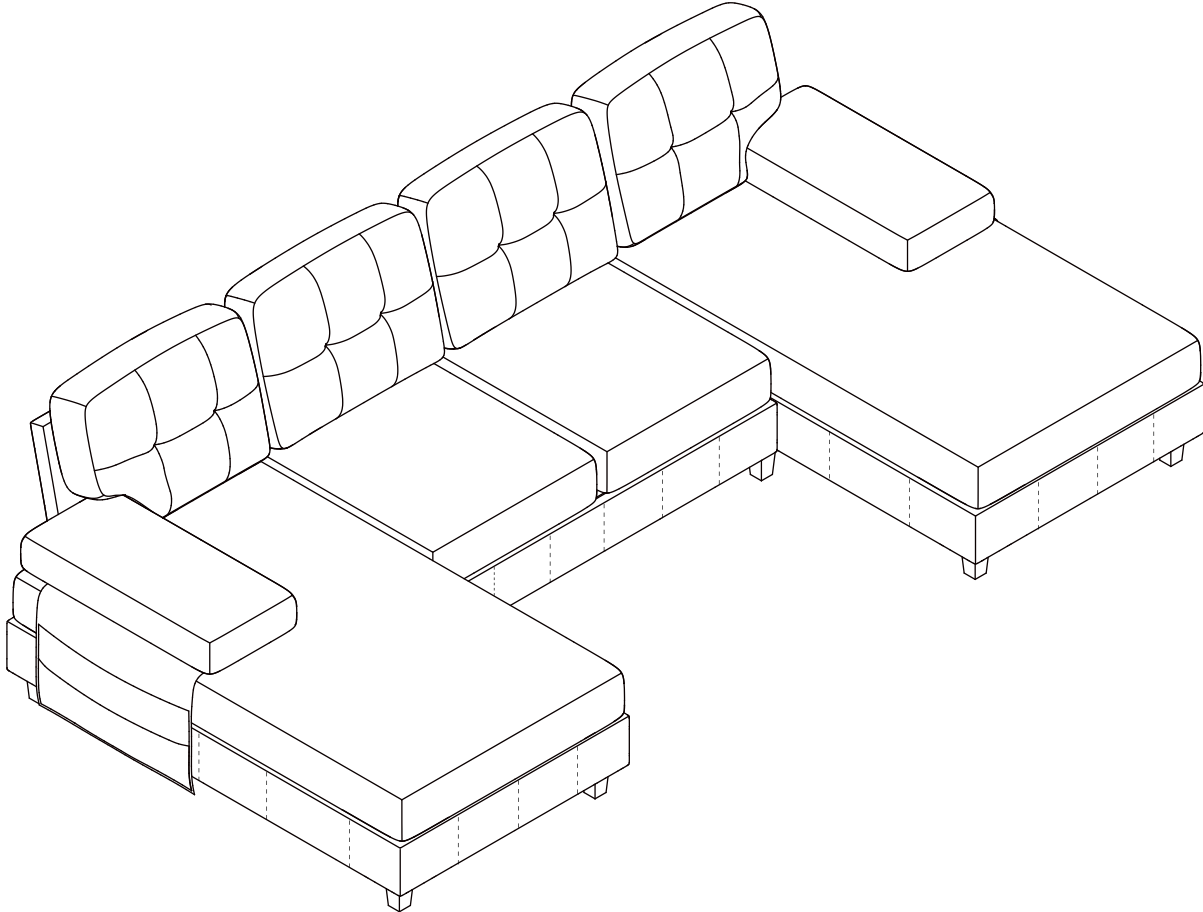


# ASSEMBLY INSTRUCTIONS



## IMPORTANT NOTE

**\*\*Place all parts on a lean and smooth surface such as a rug or carpet to avoid the parts from being scratched.**

**\*\*Before you begin, please review the assembly instruction step by step.**

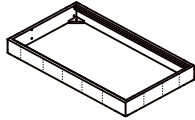
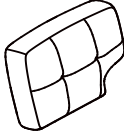
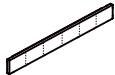


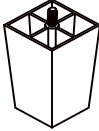
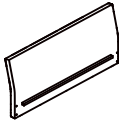
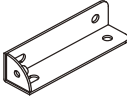
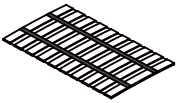
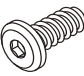
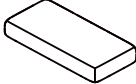
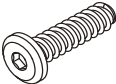
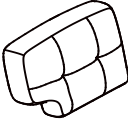

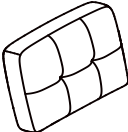
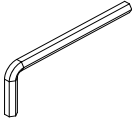
### **\*\*Return & Warranty Policy:**

**-We strive to offer the highest quality products. We also provide positive solutions with replacements or refund if needed.**

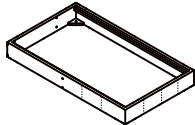
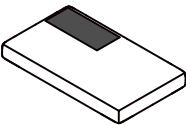
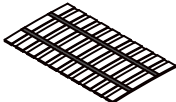
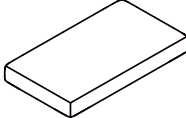
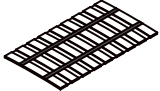
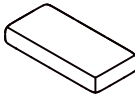
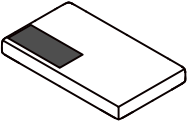
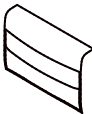
**-If the item is damaged or defective, please take photos to show the problem and email to the seller.**

**-Please do not return back the product before contact the seller.**

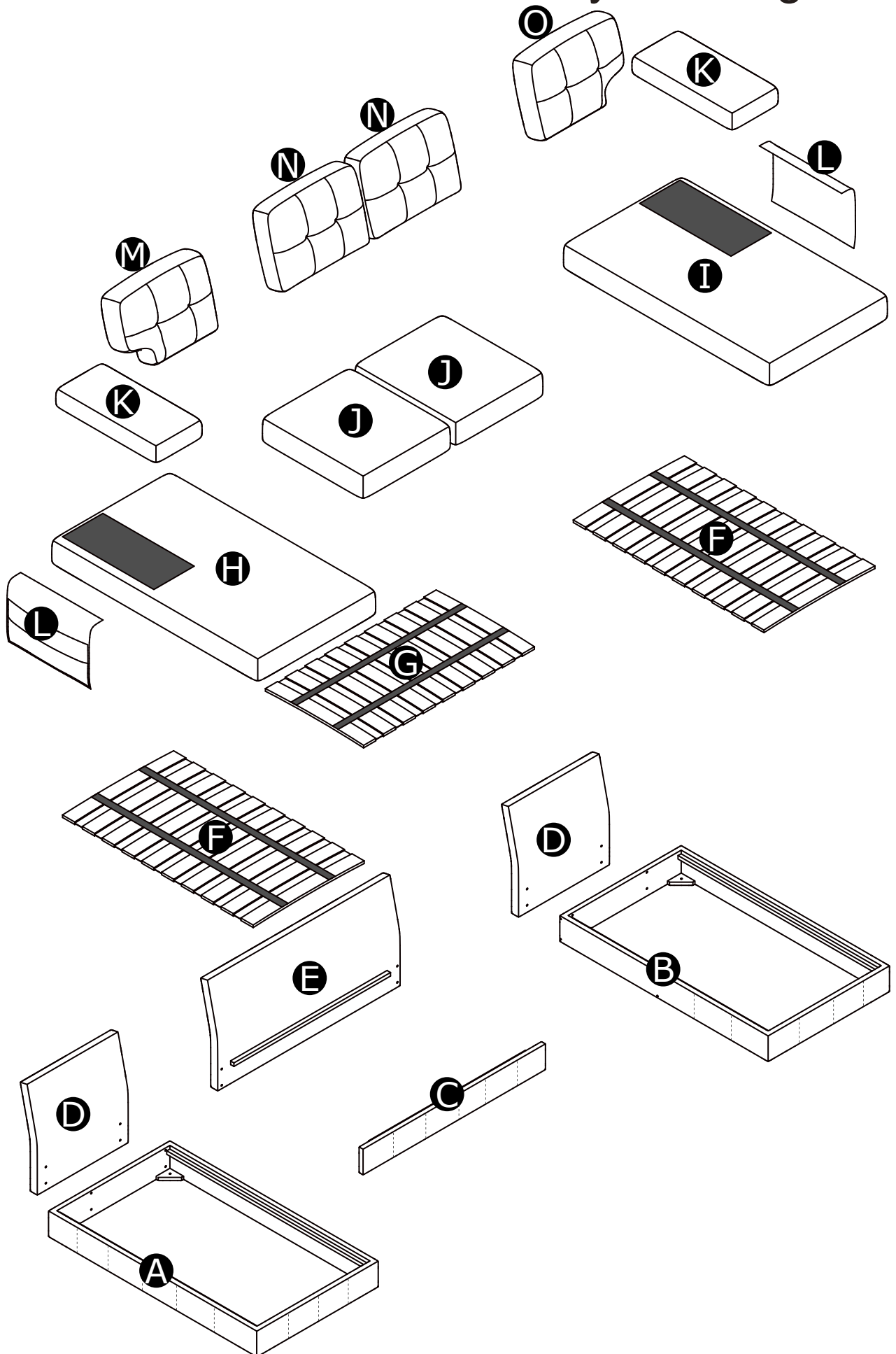
## PART LISTS BOX 1

Part NO.	Part Image	Part Name	QTY	Part NO.	Part Image	Part Name	QTY
A		Left chaise frame	1	O		Right back cushion	1
C		Front panel	1	P		Plastic gasket	10
D		Chaise backrest	2	Q		Plastic legs	10
E		2 Seater backrest	1	R		Connect Iron	4
F		Chaise slat	1	S		Screws M6*25cm	16
K		Armrest	1	T		Screws M6*45cm	8
M		Left back cushion	1	U		Gasket	8
N		2 seater back cushion	2	V		Allen key	1

## PART LISTS BOX 2

Part NO.	Part Image	Part Name	QTY	Part NO.	Part Image	Part Name	QTY
B		Right chaise frame	1	I		Right chaise cushion	1
F		Chaise slat	1	J		2 seater cushion	2
G		2 Seater slat	1	K		Armrest	1
H		Left chaise cushion	1	L		Hanging bag	2

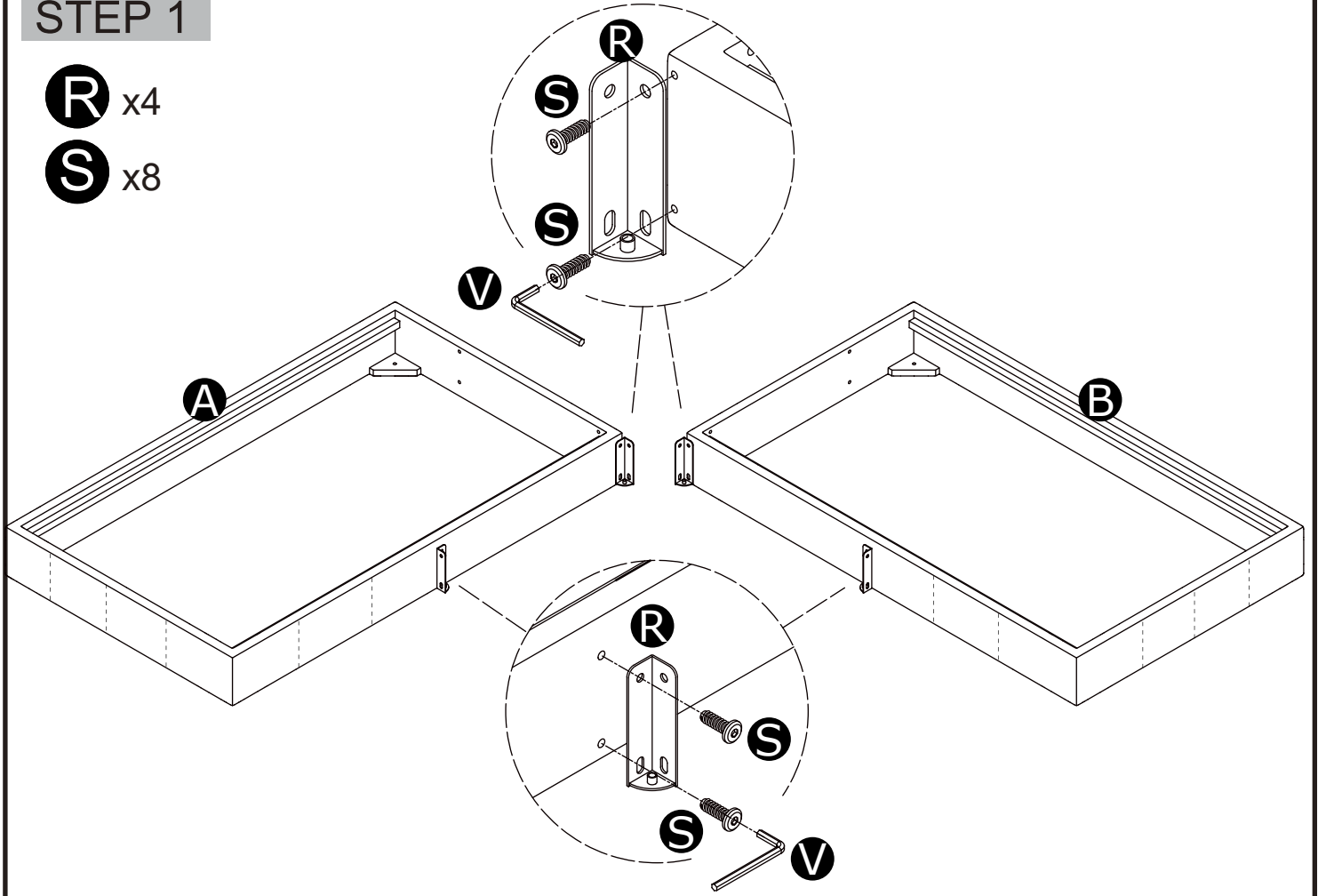
# Sofa Overall Assembly Drawing



# STEP 1

**R** x4

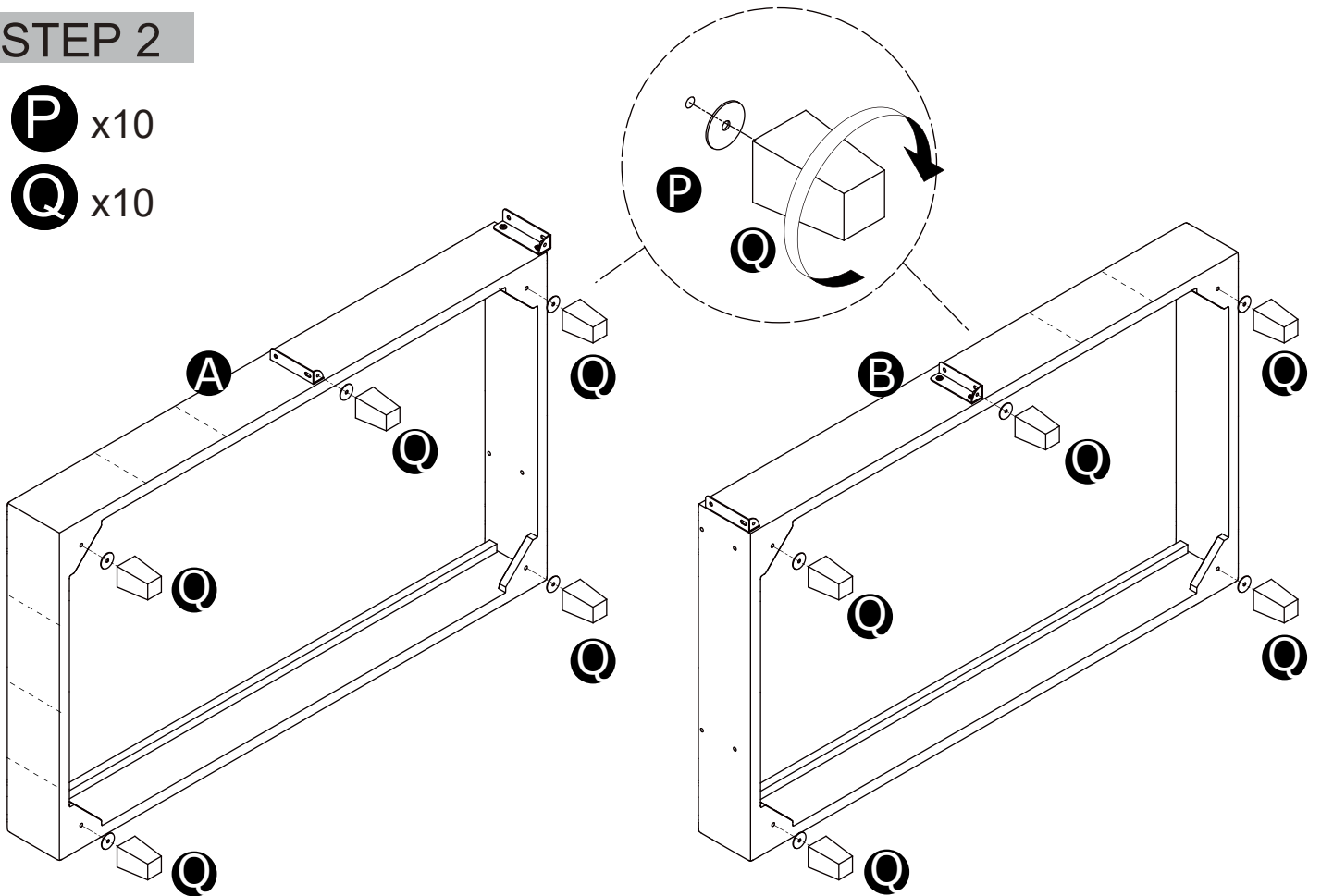
**S** x8



# STEP 2

**P** x10

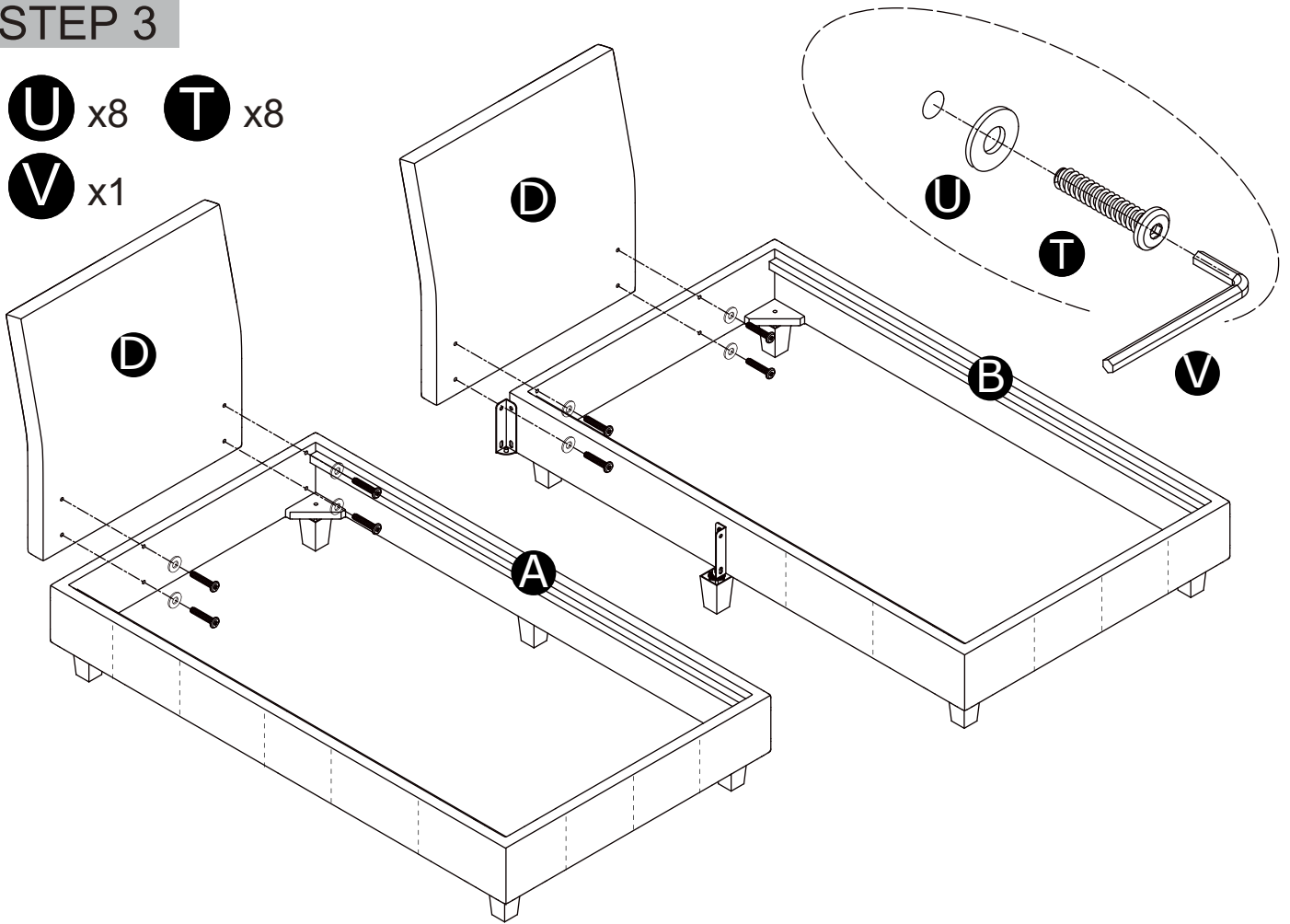
**Q** x10



### STEP 3

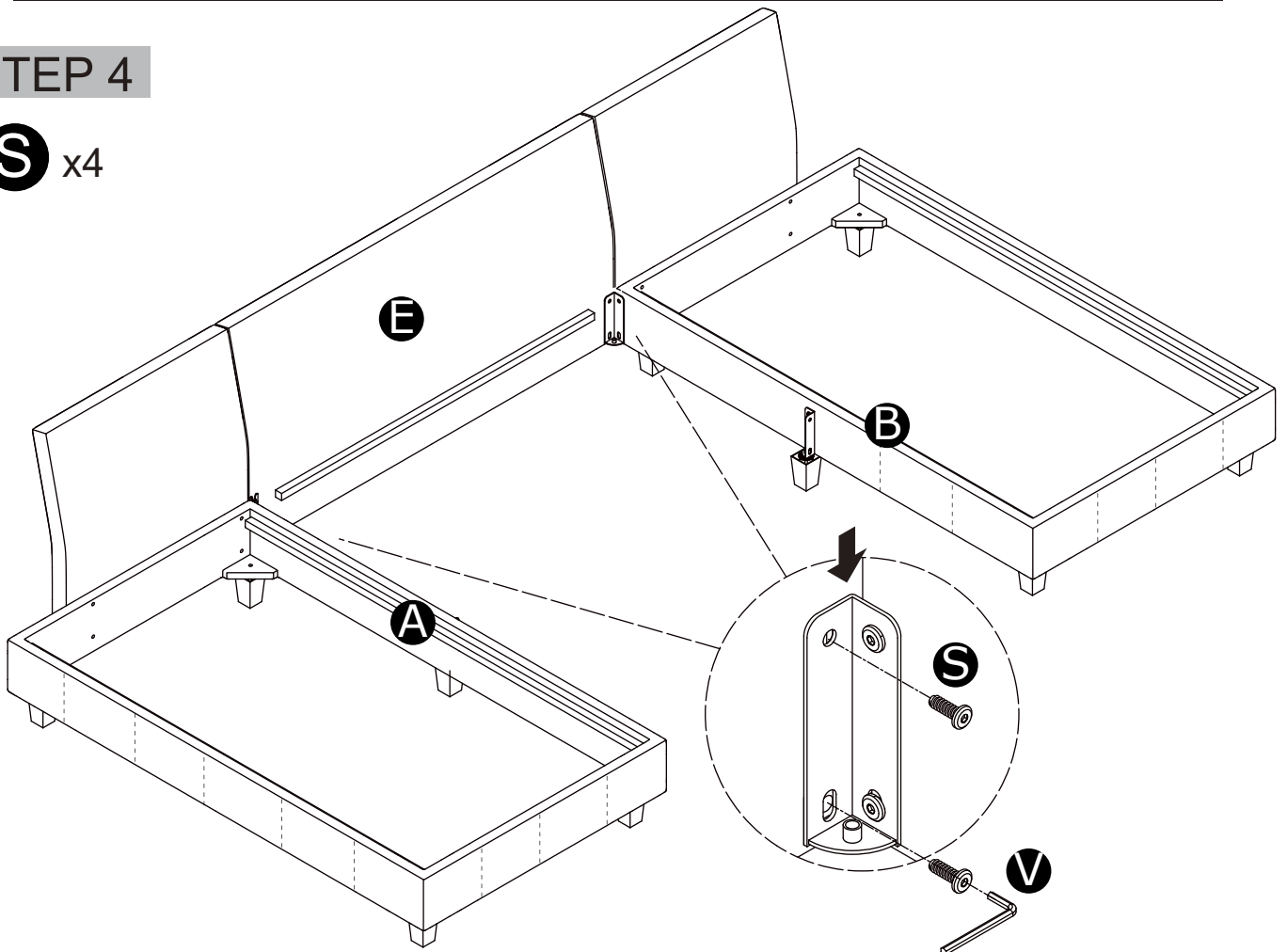
**U** x8   **T** x8

**V** x1



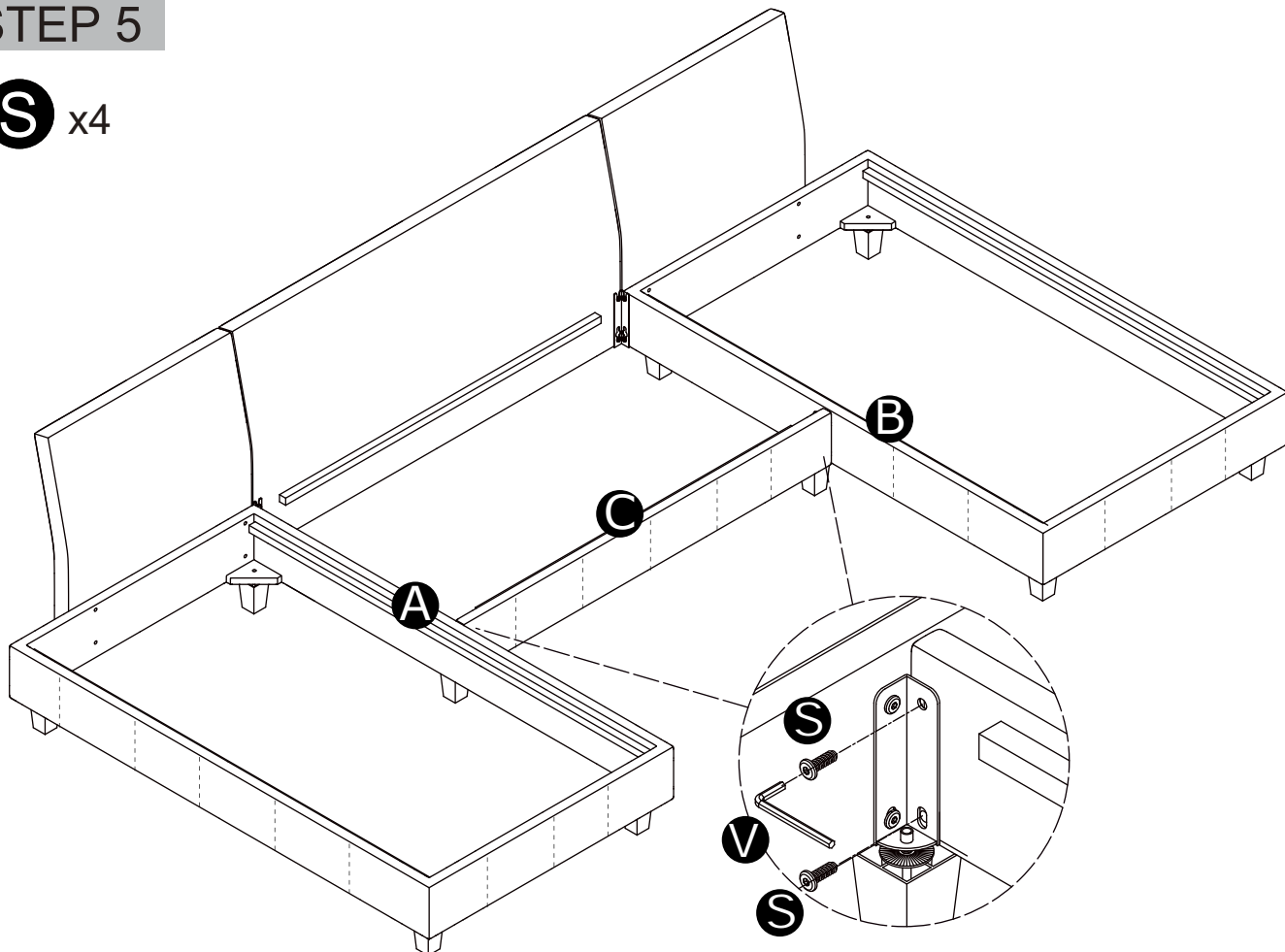
### STEP 4

**S** x4

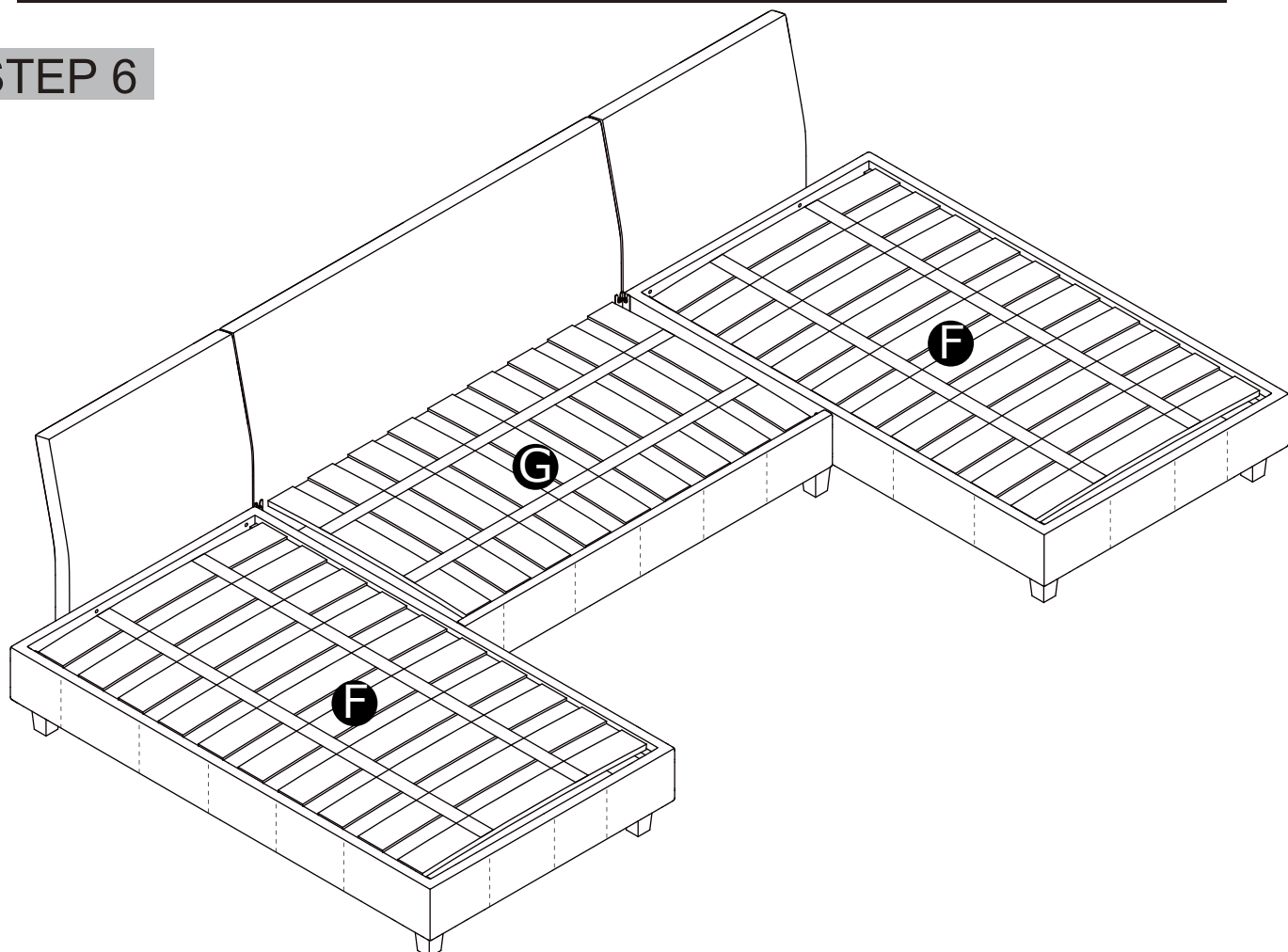


# STEP 5

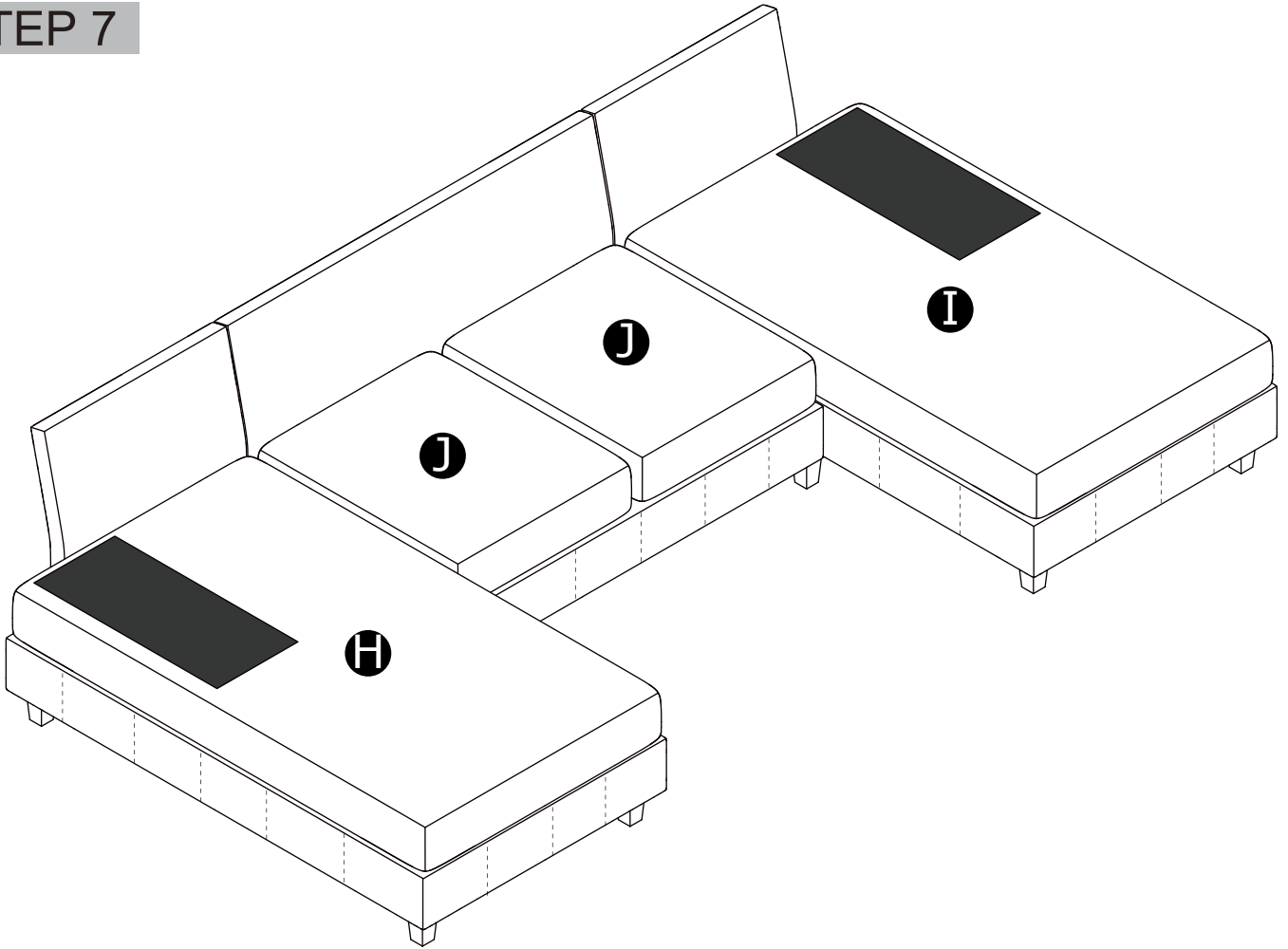
**S** x4



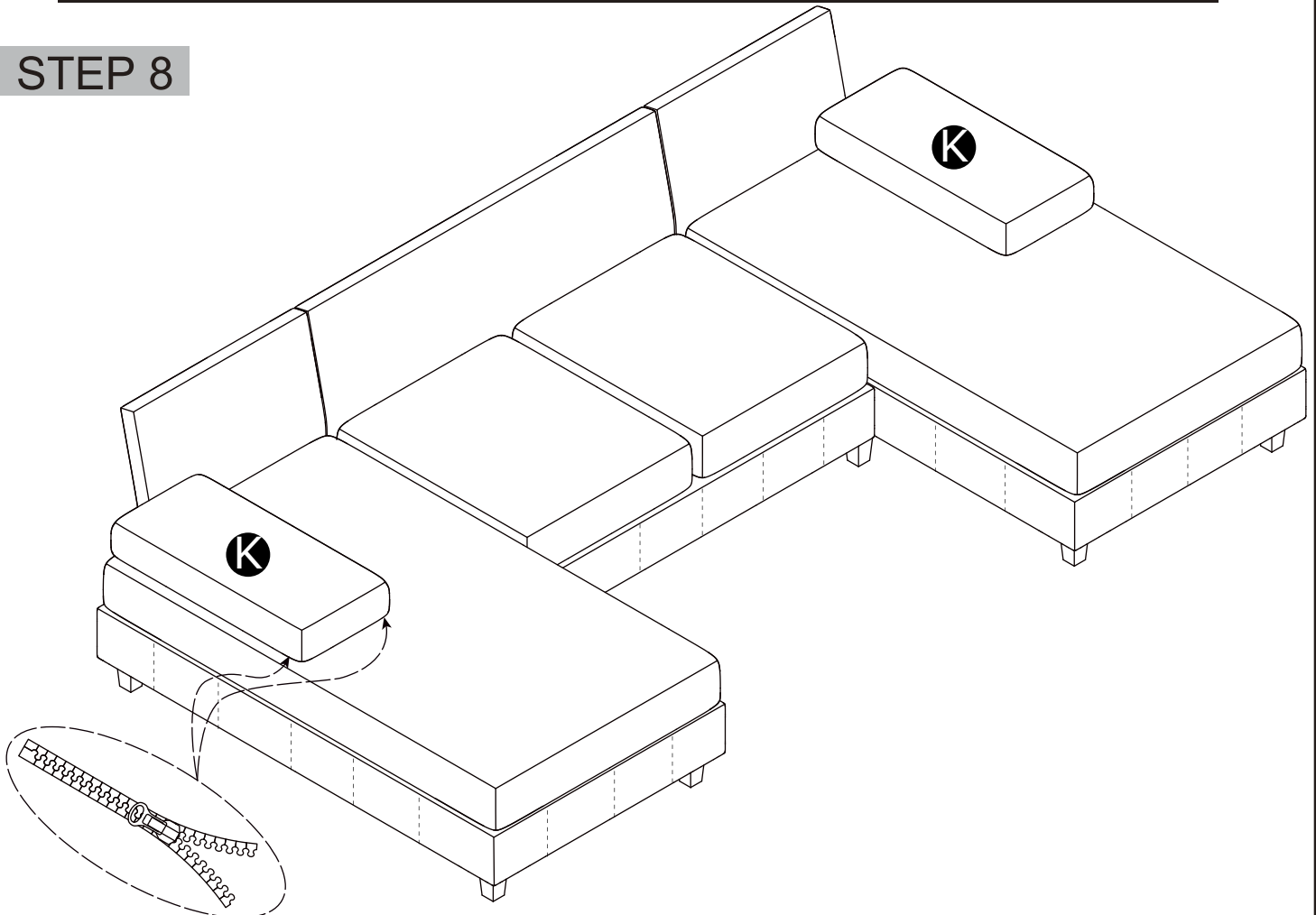
# STEP 6



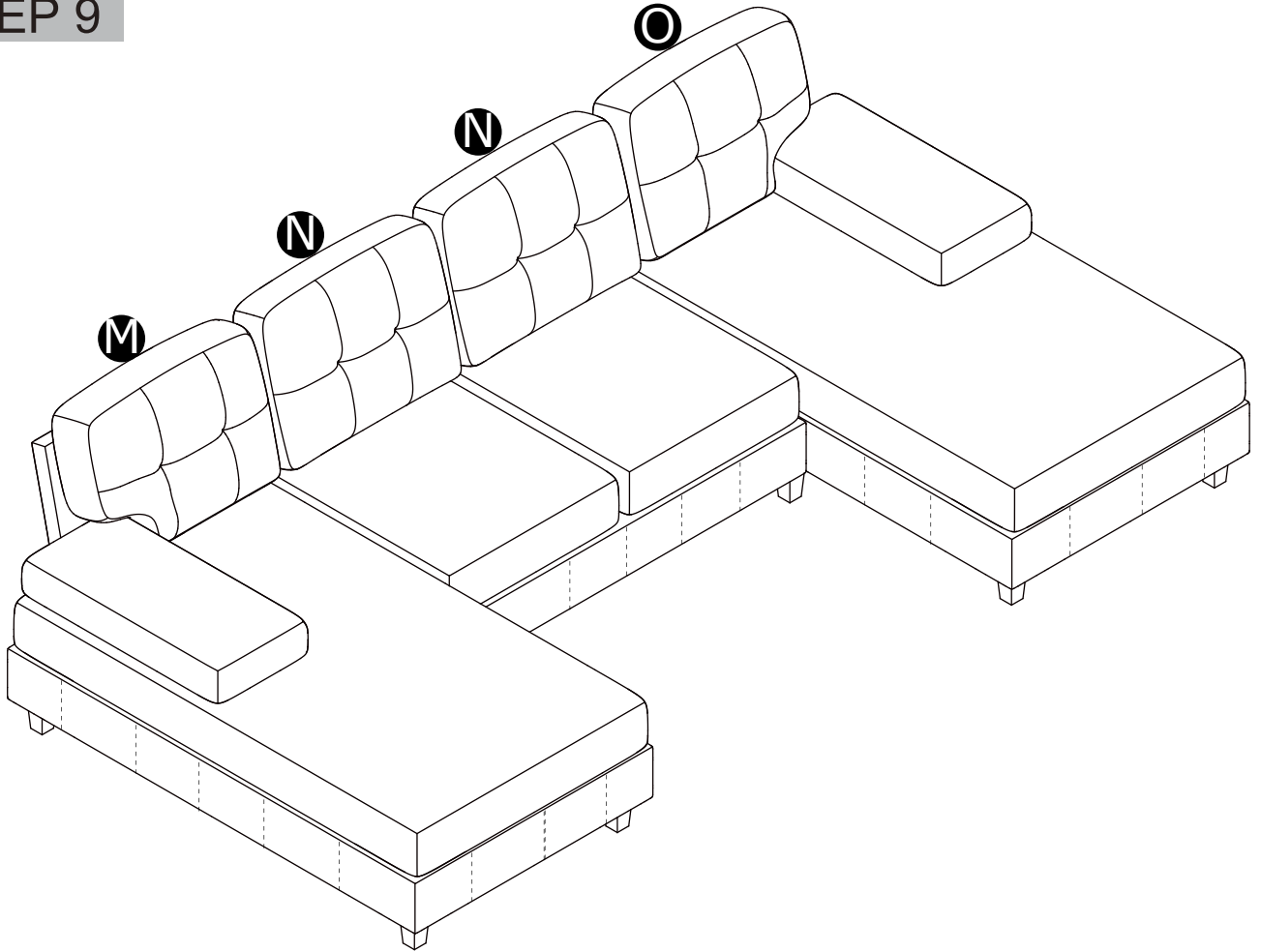
**STEP 7**



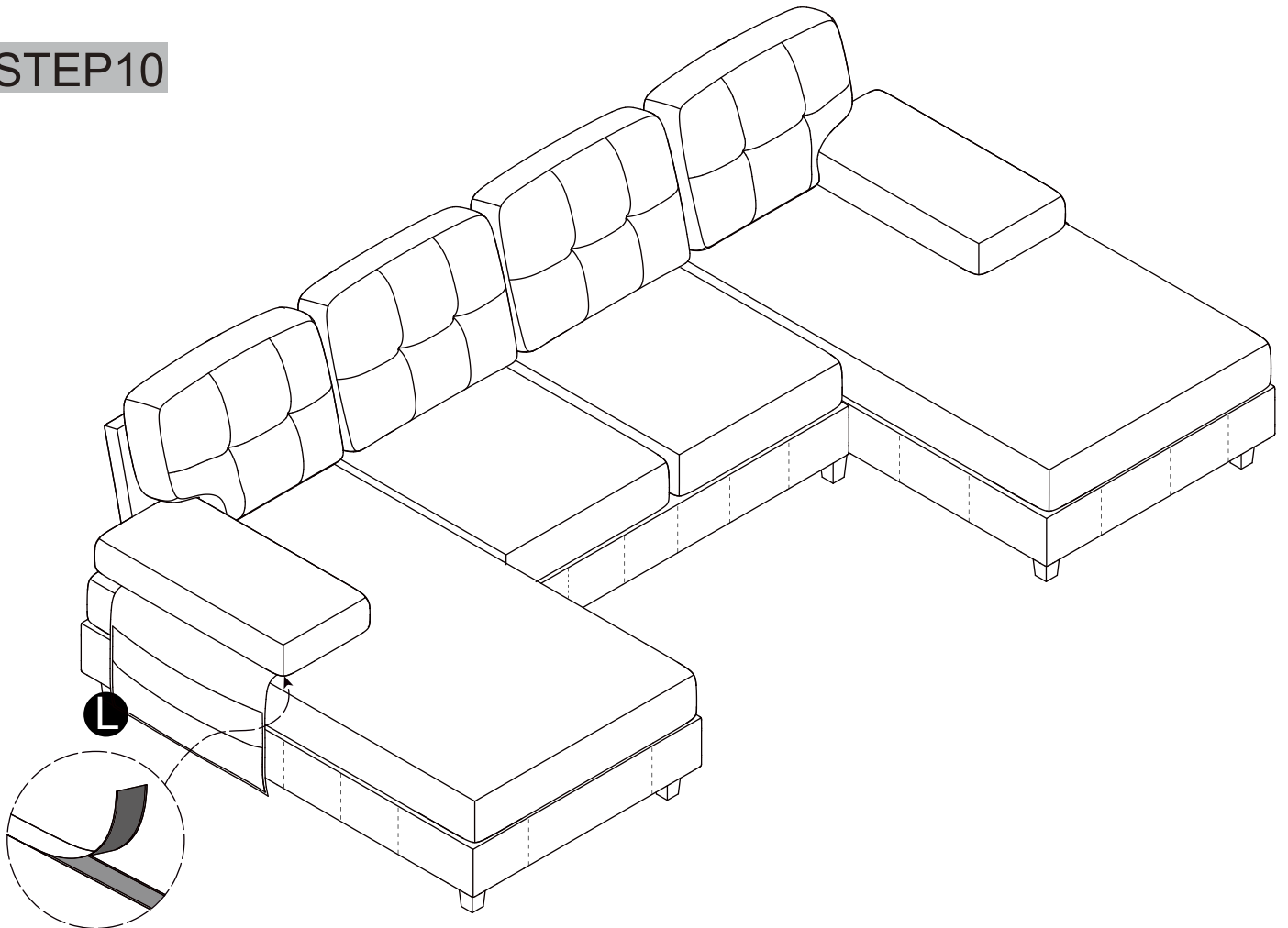
**STEP 8**



**STEP 9**



**STEP 10**



**STEP11**

